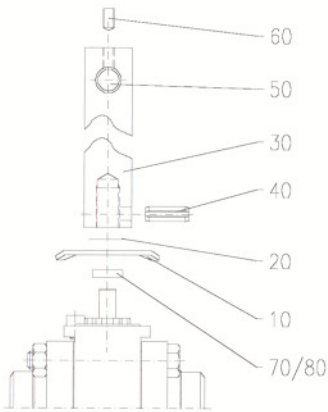
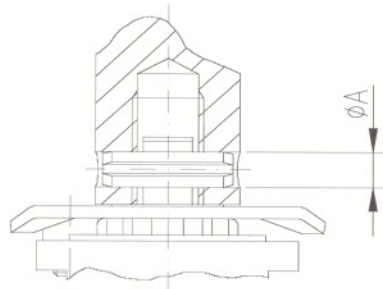


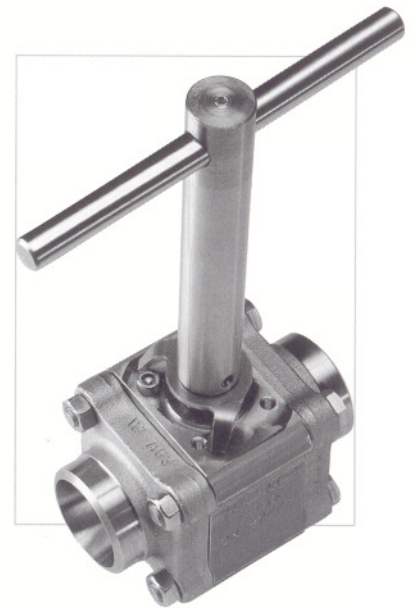
Long T-hand lever for ISO-TOP DN 8-50



Item 20: Use the spacer if the hole position is obscured.



After screwing on the T-hand lever, drill dia. A and insert the dowel pin.



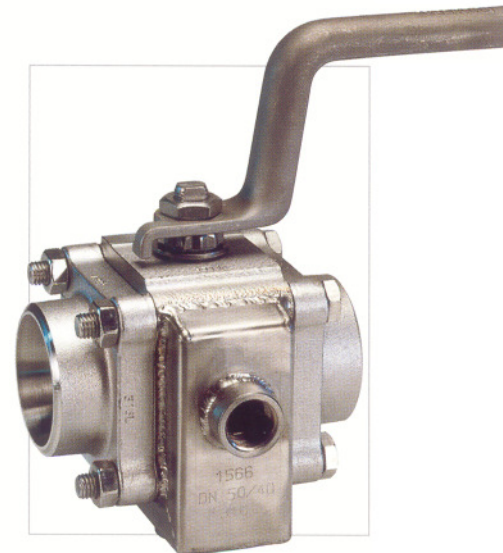
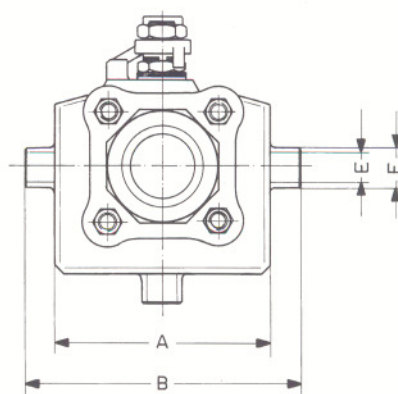
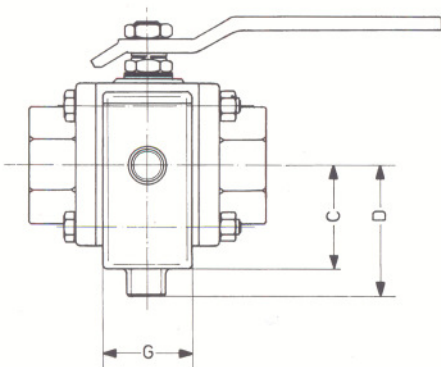
Easy assembly:

- Remove hand lever nut
- Screw on the T-hand lever

Dimensions	
Dowel pin	ØA (to bore)
Ø 4 x 16	4
Ø 6 x 20	6,2
Ø 6 x 24	6,2

Heating jacket 15iHM66 DN 8-50

Max. pressure for heating jacket 20 bar



Dimensions								
DN	NPS	A	B	C	D	E	F	G
8-15	1/4" - 1/2"	62	81	30	40	1/8"	14	18
20	3/4"	70	90	35	45	1/4"	18	20
25	1"	83	105	42	53	1/4"	18	28
32	1 1/4"	93	116	46	58	3/8"	22	36
40	1 1/2"	107	130	53	65	3/8"	22	40
50	2"	117	140	58	70	1/2"	22	48