



## VAREC 4310 SERIES SAMPLING AND GAUGING HATCH COVERS

Free-opening or lock-down covers designed to provide quick access for product gauging, temperature measurement or sampling



### FEATURES

- Non-sparking design.
- Corrosion resistant die cast 360 aluminium construction.
- Positive sealing soft seat inserts in NBR as standard; PTFE and FKM optional.
- Locking mechanism (pin provided) raised above cover surface for easy access.
- Padlockable to prevent unauthorized tank access.
- Large, easy to grab pull ring.
- Safety foot pedal allows fast, hands-free tank access for sampling and gauging.
- Self-aligning cover closes automatically when the foot pedal is released.
- Carbon steel base construction available for welding to the tank roof.
- Stainless steel (in both sizes) and aluminum (in the 8" (200 mm) size) bases available for flanged mounting with bolts.
- Flat faced flanges drilled per ANSI Class 150 dimensions.

### GENERAL APPLICATION

The 4310 Series is installed on tank roofs or roof flanges to provide quick access for product gauging, temperature measurement or sampling.

### TECHNICAL DATA

Materials:	Aluminum, carbon steel, stainless steel
Sizes:	4" and 8" (100 and 200 mm)
Connections:	Flange drilled to ANSI 150
Relieving pressure (approx.):	1.73" wc (44 mm wc)
Pressure (max):	(lock-down position) 3 psig (20.7 kPa)

# VAREC 4310 SERIES SAMPLING AND GAUGING HATCH COVERS

## SPECIFICATIONS

### DIMENSIONS AND WEIGHTS, in. (mm) and lbs. (kg)

Size code		4"	8"
A	Flange diameter <sup>[1]</sup>	9 [229]	13½ [343]
B	Height	5 <sup>21</sup> / <sub>64</sub> [135]	5½ [140]
C	Diameter bolt circle	7½ [190]	11¾ [298]
D	Number of holes <sup>[2]</sup>	8	8
E	Hole size	¾ [19]	7/8 [22]
F	Opening size	4 [102]	8 [203]
Approximate shipping weight <sup>[3]</sup>		22 [10]	33 [15]

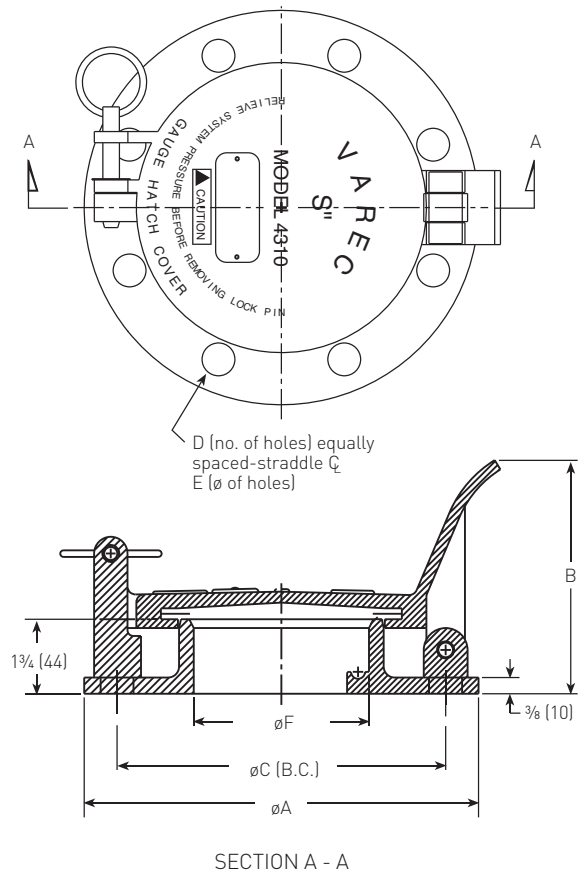
Dimensions are for preliminary general information and should not be used for construction purposes. Certified dimensional drawings are available upon request.

### MATERIALS OF CONSTRUCTION

Base	Cover	Seat insert
Aluminum <sup>[4]</sup>	Aluminum	NBR/FKM/PTFE
Carbon steel <sup>[2]</sup>	Aluminum	NBR/FKM/PTFE
Stainless steel	Stainless steel	NBR/FKM/PTFE

### SELECTION GUIDE

Example:	4310	8	1	A
<b>Model</b>				
4310	Sampling and gauging hatch - free lifting or lock down			
<b>Size</b>				
4	4"			
8	8"			
<b>Materials</b>				
	<b>Base</b>	<b>Cover</b>	<b>Insert</b>	
1	Aluminum <sup>[4]</sup>	Aluminum	NBR	
2	Aluminum <sup>[4]</sup>	Aluminum	FKM	
3	Aluminum <sup>[4]</sup>	Aluminum	PTFE	
4	Carbon steel <sup>[2]</sup>	Aluminum	NBR	
5	Carbon steel <sup>[2]</sup>	Aluminum	FKM	
6	Carbon steel <sup>[2]</sup>	Aluminum	PTFE	
7	Stainless steel	Stainless steel	FKM	
8	Stainless steel	Stainless steel	PTFE	
<b>Connection</b>				
A	Flat face flange drilled to ANSI 150			



**Example:** Model Number 43108A is a 4310 Series sampling and gauging hatch with 8" aluminum base and cover, NBR insert, flat face flange drilled to ANSI 150.

### NOTES

- Flange drilling per ANSI Class 150# flat face flange.
- Carbon steel base is for welded connection only - does not come drilled.
- Shipping weights shown are for aluminum construction only.
- 4" base is not available in aluminium.