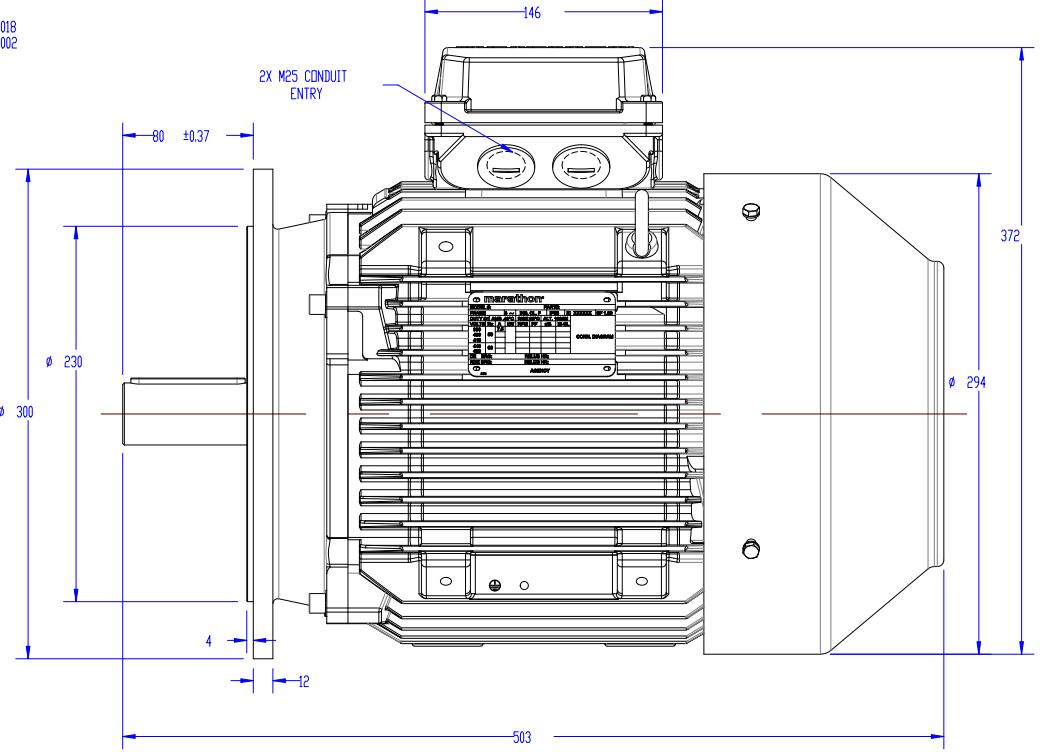
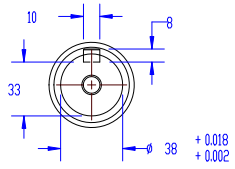
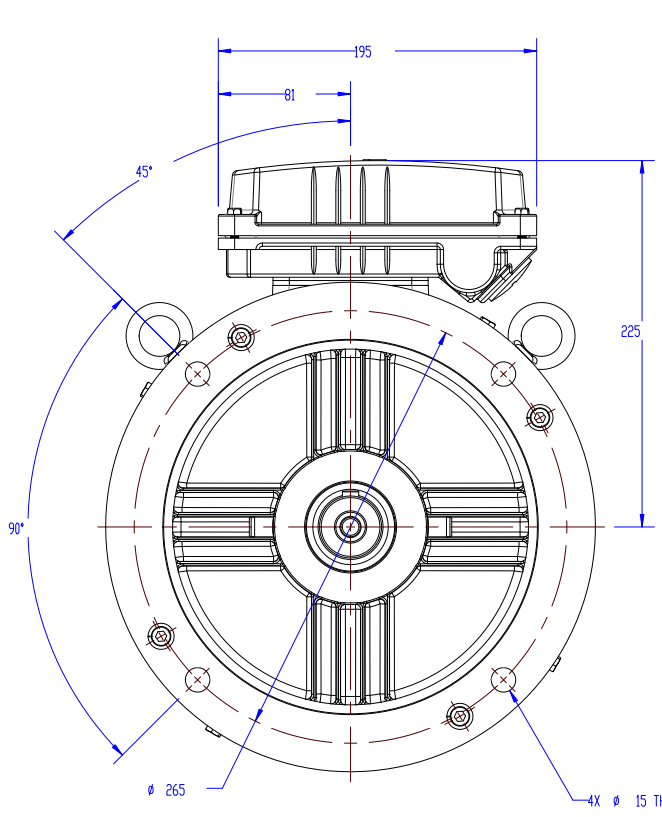


# OUTLINE



DRAWING REVISION	REVISION BY	DATE		DRAWN BY	SMAR	<b>marathon</b> Motors			
ECD	APPROVED BY	DATE		DATE	05/09/13				
ECC DESCRIPTION				APPROVED BY	JAY	DESCRIPTION	OUTLINE 132 FR- B5 MTG. MOTOR TYPE: TCA		
COPYRIGHT REGAL BELLET AMERICA, INC. ALL RIGHTS RESERVED. PROPRIETARY AND CONFIDENTIAL INFORMATION - THIS DOCUMENT IS THE PROPERTY OF REGAL BELLET AMERICA, INC. (RBA) AND CONTAINS OWNER'S PROPRIETARY INFORMATION. ANY PERSON, CORPORATION OR OTHER FIRM RECEIVING IT IS HEREBY ADVISED THAT IT, AND/OR ANY PART OF IT, SHALL NOT BE DISCLOSED TO ANY PERSON, CORPORATION OR OTHER ENTITY, ORGANIZATION AND/OR INDIVIDUAL WITHOUT THE EXPRESS WRITTEN APPROVAL OF RBA. THIS DOCUMENT SHALL BE RETURNED TO OWNER UPON REQUEST. IT MAY BE SUBJECT TO CERTAIN RESTRICTIONS UNDER APPLICABLE EXPORT CONTROL LAWS AND REGULATIONS.			DATE	05/09/13	MATERIAL	PROCESS/FINISH			
			REFERENCE		THIRD ANGLE PROJECTION		SIZE	B	DRAWING NUMBER