

Y – Strainer Screwed End

Features

- Investment casting component
- Screwed bonnet
- For general chemical and industrial application

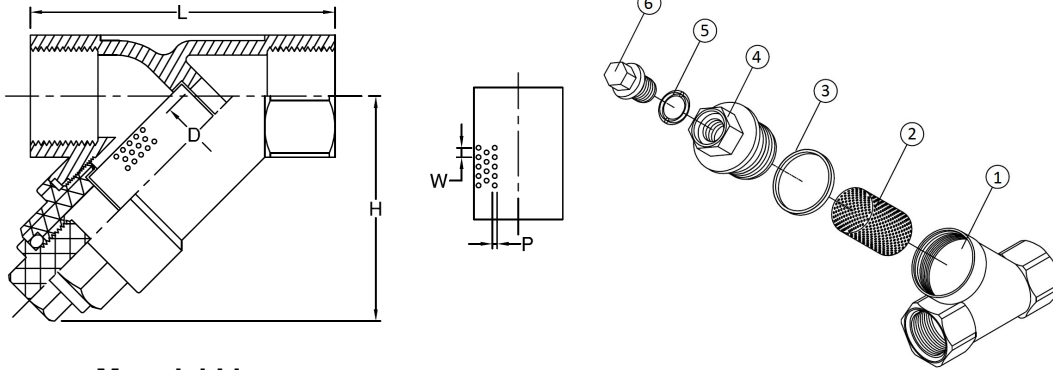


Specifications

Body	ASTM A-351 Grade CF8M
Body Wall Thickness	EN12516-1/3
Packing	PTFE
Working Pressure	800 PSI
Temperature	-20°C ~ 180°C
End Connections	Threaded Male

Option

Double Screen (40 ~ 200 mesh)



Material List

No.	Part Name	Material
1	Body	CF8M
2	Screen	SS316
3	Gasket	PTFE
4	Bonnet	CF8M
5	O-ring	Viton
6	Plug	CF8M

Dimensions

Model	Size		D	L	H	W	P - mesh
YST006	DN8	1/4"	10.0	65.0	51.0	2.0	200
YST008	DN10	3/8"	12.0	65.0	51.0	2.0	200
YST015	DN15	1/2"	15.0	65.0	51.0	2.0	100
YST025	DN25	1"	25.0	90.0	72.0	2.0	100
YST040	DN40	1 1/2"	40.0	120.0	87.0	2.0	100
YST050	DN50	2"	50.0	140.0	103.0	2.0	100
YST080	DN80	3"	80.0	200.0	143.0	2.0	40

Y – Strainer Flanged PN16

Features

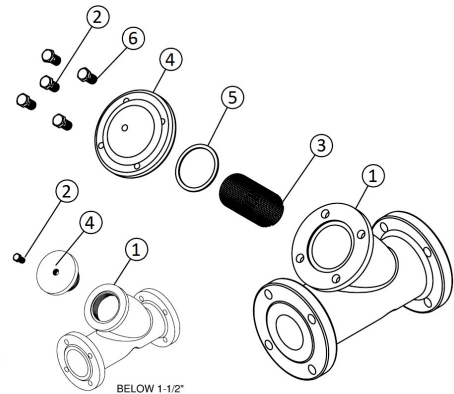
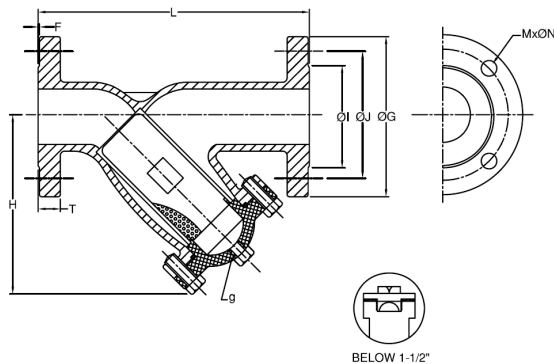
- Bolted cover for DN50 & above
- Screwed cover for smaller sizes
- Covers furnished with blow-off plug
- For general industrial and chemical application

Specifications

Body	ASTM A-351 Grade CF8M
Body Wall Thickness	EN12516-1
Face to Face	DIN3202 F1 for DN20-150
	ANSI B16.10 Class 150 for DN15, DN200-350
Flange Dimension	EN1092-1 PN16
Working Pressure	14.6 Bar
Temperature	-20°C ~ 180°C
End Connections	Flange RF

Option

Double Screen (40 ~ 100 mesh)



Material List

No.	Part Name	Material
1	Body	CF8M
2	Plug	CF8
3	Screen	SS304
4	Cap	CF8M
5	Body Seal	PTFE
6	Bolt	ASTM A193 Gr.B8

Dimensions

Model	Size		L	H	ØG	ØJ	ØI	T	F	M	ØN	g
YST015	DN15	1/2"	152	57	95	65	48	14	2.0	4	14	1/4"
YST020	DN20	3/4"	150	78	105	75	58	14	2.0	4	14	1/4"
YST025	DN25	1"	160	85	115	85	68	18	2.0	4	14	1/4"
YST040	DN40	1 1/2"	200	109	150	110	88	18	3.0	4	18	1/4"
YST050	DN50	2"	230	146	165	125	102	18	3.0	4	18	1/2"
YST080	DN80	3"	310	200	200	160	138	20	3.0	8	18	1"

Y – Strainer Flanged ANSI150

Features

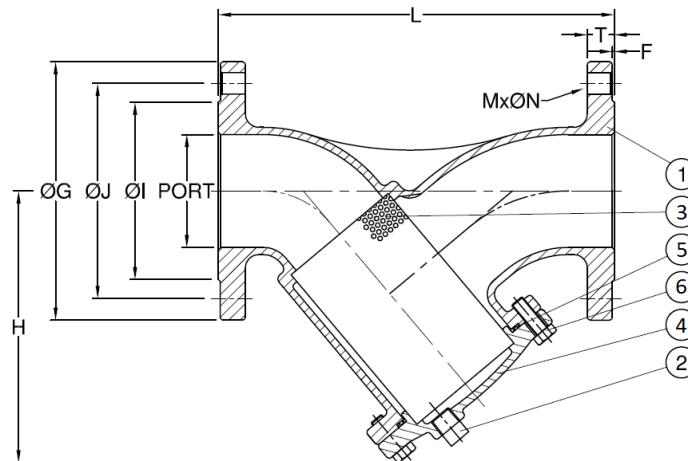
- Bolted cover for DN50 & above
- Screwed cover for smaller sizes
- Covers furnished with blow-off plug
- For general industrial and chemical application

Specifications

Body	ASTM A-351
Body Wall Thickness	B16.34
Face to Face	ANSI B16.10 Class 150
Flange Dimension	ANSI B16.5 Class 150
Working Pressure	275 PSI
Temperature	-20°C ~ 180°C
End Connections	Flange RF

Option

Double Screen (40 ~ 100 mesh)



Material List

No.	Part Name	Material
1	Body	ASTM A351 Gr. CF8M
2	Plug	ASTM A351 Gr. CF8M
3	Screen	SS304
4	End Cap	ASTM A351 Gr. CF8M
5	Body Seal	PTFE
6	Body Bolt	ASTM A193 Gr.B8

Dimensions

Model	Size		L	H	ØG	ØJ	ØI	T	F	M	ØN	PORT
YST015	DN15	1/2"	120	75	89	60.5	35	11.1	1.6	4	16	15
YST020	DN20	3/4"	140	75	98	70.0	43	11.1	1.6	4	16	20
YST025	DN25	1"	150	100	108	79.5	51	11.1	1.6	4	16	25
YST040	DN40	1 1/2"	190	120	127	98.5	73	14.3	1.6	4	16	40
YST050	DN50	2"	210	140	152	120.5	92	15.9	1.6	4	19	50

YST080	DN80	3"	280	196	190	152.5	127	19.1	1.6	4	19	80
--------	------	----	-----	-----	-----	-------	-----	------	-----	---	----	----

Mesh to Micron Conversion Chart

U.S. mesh	Inches	Microns	Millimetres
10	0.0787	2000	2.000
20	0.0331	841	0.841
25	0.0280	707	0.707
50	0.0117	297	0.297
100	0.0059	149	0.149
140	0.0041	105	0.105
170	0.0035	88	0.088
200	0.0029	74	0.074
230	0.0024	63	0.063
270	0.0021	53	0.053
325	0.0017	44	0.044
400	0.0015	37	0.037

Model Coding

Model	Size	
YST006	1/4"	(6mm)
YST008	3/8"	(8mm)
YST015	1/2"	(15mm)
YST020	3/4"	(20mm)
YST025	1"	(25mm)
YST040	1.5"	(40mm)
YST050	2"	(50mm)
YST080	3"	(80mm)
Materials and Mesh Sizing		
S	1	316 Stainless Steel body & screen element, teflon seal
Standard nominal mesh sizing - mesh (microns)		
Process connections		
1	BSP female threaded	
2	NPT female threaded	
4	ANSI 150 stainless steel flanges	
6	PN16 DIN stainless steel flanges	
9	Customer nominated	
Model No. Example		
YST025	S	1 1

DSYST- 1802

Trimec Europe Ltd
 Unit 2, The Old Grain Store
 Ditchling Common Industrial Estate
 Ditchling, East Sussex
 BN6 8SG
 Phone: +44 1444 248777
 Fax: + 44 1444 243750

Distributed by:

