

# MOTOR SPECIFICATION

PAGE

1 of 2

**M O D E L** : ISG-3240ENA  
**R A T I O** : 1 : 513

## ELECTRICAL

- 1. TYPE : SHADED POLE INDUCTION GEARED MOTOR
- 2. RATED VOLTAGE : AC 230V 50Hz
- 3. POLES : 2P
- 4. NO LOAD CHARACTERISTICS

At Geared Motor Ass'y

- 4-1. CURRENT : 0.43 A ±15%
- 4-2. INPUT POWER : 48.5 W ±15%
- 4-3. SPEED : 5.3 rpm ±10%
- 4-4. STARTING VOLTAGE : 161 V Max.

- 5. TORQUE CHARACTERISTICS

At Geared Motor Ass'y, after 1minute running

- 5-1. BREAKDOWN TORQUE : 20.5 N · m Min.
- 5-2. NOMINAL TORQUE : 19.2 N · m Min.
- 5-3. STARTING TORQUE : 16.0 N · m Min.

- 6. LOCKED ROTOR CURRENT : 0.66 A Max.

- 7. DIELECTRIC STRENGTH

Motor shall withstand a potential of 1500V RMS for 1 minute(1800V RMS for 1 second) duration between coil leads and frame. (Cutoff Current 3 mA)

- 8. INSULATION RESISTANCE

100 MΩ minimum at DC 500V MEGA TESTER between winding and frame.



2004.02.02	B. J. KIM	CHANGED GEAR BOX RATIO(1/532 → 1/513)	
2003.10.01	B. J. KIM	CHANGED NAME PLATE(CE MARK)	
2002.08.13	B. J. KIM	CHANGE INPUT/OUTPUT SHAFT DIMENSION	
DATE	SIGNATURE	CHANGE CONTENTS	
DESIGNED	CHECKED	APPROVED	<b>ISG-3240ENA</b> <hr/> <b>SHADED POLE GEARED MOTOR</b>
		RE-DATE	2004.02.02
		DATE	2002.08.13
<b>(주) 에스피지</b>		DRAWING NO	
		<b>A-146-0455-13</b>	

# MOTOR SPECIFICATION

PAGE

2 of 2

## 9. TEMPERATURE RISE

9-1. WINDING

: -

9-2. PROTECTED TYPE

: Thermally Protected [120 ±5 °C (248°F)]

10. CONNECTION

: See drawing No. A-146-0455-13

11. LEADS

: Male Tap Terminal (#250)

12. INSULATION CLASS

: E class

13. DUTY

: Intermittent

## MECHANICAL

1. SHAFT RUN OUT

: Measured - mm from shaft end - mm TIR Max.

2. OUTPUT SHAFT ENDPLAY

: 0.8mm Max.

3. BEARING

: OILLESS BEARING & METAL BEARING

4. LUBRICATION

: MINERAL OIL & GREASE

5. VIBRATION

: As per our sample

6. AUDIBLE NOISE

: 70 dB MAX.(NO LOAD)

1) 50cm distance from output shaft end side

2) Sound level meter "A" scale

3) Ambient noise : 25dB Max.

4) At rated voltage, rated frequency

7. COLD FAN

: None

8. LIFE

: -

9. WEIGHT

: About 2.1 Kg

10. APPEARANCE

: To be free from any defects that will adversely affect appearance.

11. MARKING

: See drawing No. A-146-0455-13

12. DIMENSION

: See drawing No. A-146-0455-13

13. SHAFT POSITION

: Horizontal



(주) 에스피지

RE-  
DATE

2004.02.02

DRAWING NO.

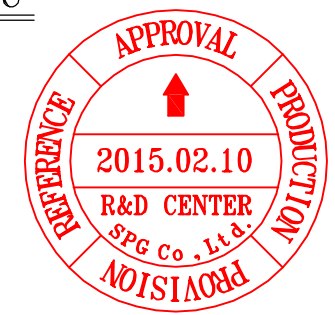
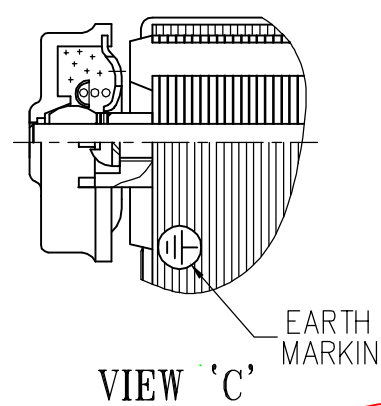
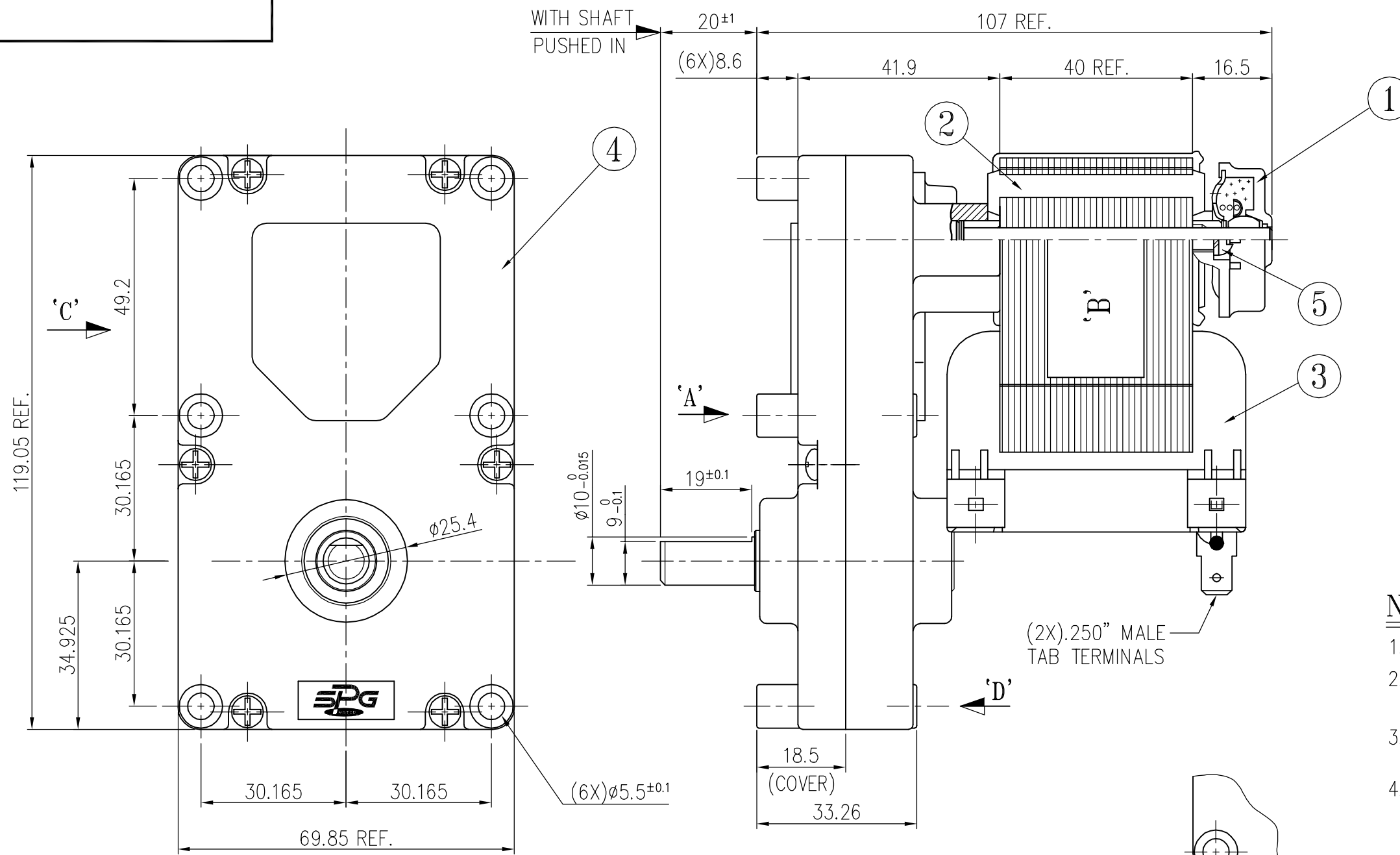
A146-0455-113



SPG Co., Ltd.

DATE

2002.08.13



**NOTE**

1. OUTPUT SHAFT POSITION : HORIZONTAL
2. ROTATION : VIEWED FROM OUTPUT SHAFT END C.W(VIEW 'A')
3. END PLAY : 1) ROTOR : 0.8mm MAX.  
2) SPINDLE : 0.8mm MAX.
4. LUBRICATE : 1) GEAR BOX  
- GREASE  
2) MOTOR  
- MINERAL OIL
5. NAME PLATE POSITION : SURFACE 'B'
6. EARTH MARKING USING WHITE INK
7. SCREW FASTENING TORQUE : 8Kgf · cm MIN.

ROTATION : C.W

SPG Co., Ltd. **CE**  
 MODEL : ISG-3240ENA  
 AC 230V 50Hz  
 IDLE : 0.43A 5.6RPM  
 INT. DUTY T.P.L. 17AM031 TI  
 MADE IN KOREA

**NAME PLATE**

NO.	PART NAME	MATERIAL	Q'TY	DESCRIPTION	REMARK
6	NAME PLATE	PET FILM	1	38 * 25	
5	SCREW(WITH SPRING WASHER)	SWCH10A	2	M/S PH ⊕ M4*52	MFZnl
4	GEAR BOX ASS'Y		1	⊕ 1:513	
3	STATOR ASS'Y		1	40T	
2	ROTOR ASS'Y		1	40T	
1	BRACKET ASS'Y		1	OPEN TYPE	

2004.02.03	N. Y. KIM	CHANGE : RATIO 1:532 --> 1:513	
2003.09.27	Y. M. WON	CHANGE : NAME PLATE	CE MARK
2002.08.13	N. Y. KIM	CHANGE : INPUT, OUTPUT, SHAFT DIMENSION	
날짜 DATE	서명 SIGN	변경내용 NOTE	변경이유 REVISION
재질 MATERIAL	표면처리 SURFACE FINISH	척도 SCALE	공차 TOLERANCE
제도 DRAWN	설계 DESIGN	검도 CHECK	승인 APPR.
B.H. LEE	J.H. HONG	C.Y. LEE	S.M. KIM
<b>GEARED MOTOR ASS'Y</b>			
<b>ISG-3240ENA(1:513)</b>			
작성일 DATE	2015.02.10	도번 DWG NO.	A-146-0455-13