

**Approvals:**



TD0400TJ  
工電(2012)第00320號  
(TRI)2017第07-00075號



Switches with UL & CSA  
Recognized and File No.  
E12252.



**Patent No.**

M295332  
M334932  
China: 920135

**PS2000X**

# PRESSURE SWITCH EXPLOSION PROOF TYPE PS2000X

**Explosion Proof Type / Protection: IP68**  
**Proof Pressure to 5000psi**  
**Adjustable Ranges: 10~4000psi**  
**Temperature: -30 to 205°C**

The New-Flow PS2000X, an explosion proof pressure switch, is designed to be used in control systems. PS2000X has high set point repeatability and narrow dead band features. A variety of range selections are available upon request. Easily adjusted to the set point, and no special tools needed!

**Technical Data**

**Switch Data:** one SPDT & two SPDT Microswitch, 15amps 125/250VAC, DC 125V 0.4A, DC 30V 3A, / Gold Contact Microswitch 1A 125/250VAC, /Hermetically Sealed Switch 5A/250VAC

**Housing:** die cast aluminum alloy with paint, and SS316 available

**Conduit Connection:** Female 3/4", 1/2"NPT, M20 x P1.5 available

**Pressure Element:** welded type diaphragm

**Process Material:** wetted parts all in SS316

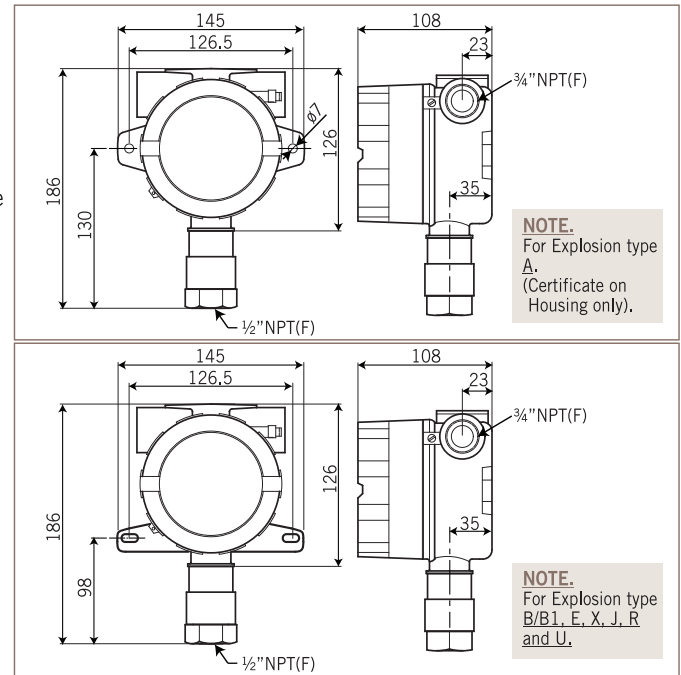
**Process Connection:** Female 1/2" or 1/4" NPT, BSP, PT and M20xP1.5 thread available

**Repeatability:** ±1% of full scale

**Range Selection Table**

Code	Adjustable Range	Dead Band (unit:psi)			Maximum Pressure Proof
		Micro Switch	Hermetically Switch	Gold Contact	
10R	10~100 psi	0.9~2.1	5.4~12	4.7~9.2	3000 psi
20R	35~200 psi	1.4~5.4	5.4~18.5	4.7~11.4	3000 psi
30R	50~300 psi	1.4~6.9	5.4~45.5	5.3~37	3000 psi
60R	100~600 psi	1.7~15.1	5.7~66.7	5.3~78	3000 psi
130R	100~1300 psi	5.5~15	5.7~126.4	5.3~106.5	3000 psi
240R	300~2400 psi	19.6~39.5	19.9~227.2	16.9~165	4000 psi
400R	400~4000 psi	32.5~65.6	19.9~326.6	16.9~213	5000 psi

**Dimensions-mm**



**NOTE.**  
For Explosion type A.  
(Certificate on Housing only).

**NOTE.**  
For Explosion type B/B1, E, X, J, R and U.

**Ordering Information**

<b>PS2000X</b>	<b>Code</b>	<b>Range</b>
	(10R) 10~100 psi (20R) 35~200 psi (30R) 50~300 psi (60R) 100~600 psi (130R) 100~1300 psi (240R) 300~2400 psi (400R) 400~4000 psi	
	<b>Code</b>	<b>Wetted Parts Material</b>
	A	SS316
	<b>Code</b>	<b>Process Connection- Female</b>
	(1) 1/2"NPT (2) 1/4"NPT (3) 1/2"BSP (4) 1/4"BSP (5) 1/2"PT (6) 1/4"PT (7) M20 x P1.5	
	<b>Code</b>	<b>Conduit Connection</b>
	(E) 3/4"NPT Female, standard (F) 1/2"NPT Female (G) M20 x P1.5 Female	
	<b>Code</b>	<b>Switch Form</b>
	1	Micro Switch, 1 SPDT
	2	Micro Switch, 2 SPDT (one setting point)
	3a	Gold Contact, 1 SPDT
	3b	Gold Contact, 2 SPDT (one setting point)
	4a	Hermetically Switch, 1 SPDT
	4b	Hermetically Switch, 2 SPDT (one setting point)
	<b>Code</b>	<b>Explosion Proof Type / Housing Material</b>
	A	<b>Certificate on Housing Only (FM Approval) / Aluminum alloy:</b> Class I, Groups A, B, C & D; Class II, Groups E, F & G; Class III; NEMA 4X
	B / B1	<b>Taiwan Explosion Proof Certification / (B) Aluminum alloy (B1) SS316:</b> Ex d IIB + H2 T6 Gb
	E	<b>International IECEx Certification / Aluminum alloy:</b> Ex db IIB + H2 T6 Gb; Ex tb IIIC T85°C Db
	X	<b>Europe Union ATEX Certification / Aluminum alloy:</b> II 2 G D Ex db IIB + H2 T6 Gb; II 2 G D Ex tb IIIC T85°C Db
	U	<b>UL Certification / Aluminum alloy:</b> Class I, Division 1, Groups A, B, C & D; Class II, Division 1, Groups E, F & G
	G	<b>China Explosion Proof Certification / Aluminum alloy:</b> Ex d IIB + H2 T6 Gb; Ex tD A21 IP6X T85°C
<b>PS2000X</b>		

Complete Ordering Code

WWW.NEW-FLOW.COM • TEL: 886-7-8135500 • FAX: 886-7-8225588 • Email: info@new-flow.com

**PRESSURE**

26Feb2020

367