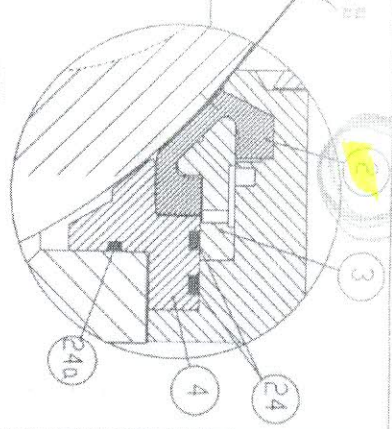
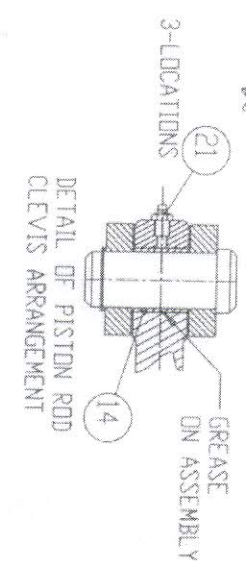


ADJUST SEAL TO 0.4 ± 0.05  
BY USE OF GASKETS  
ON ASSEMBLY  
CHECK WITH  
FEELER GAUGES



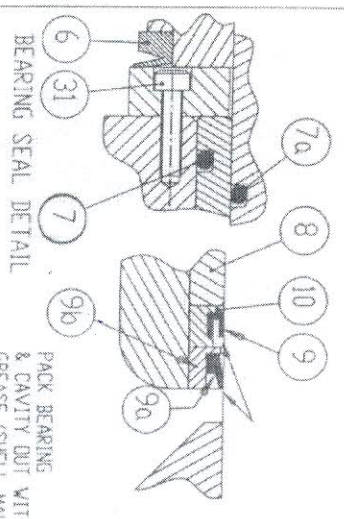
DETAIL OF DOME SEAL

CENTRE MOUNTED TRUNNION  
BUSH DETAIL



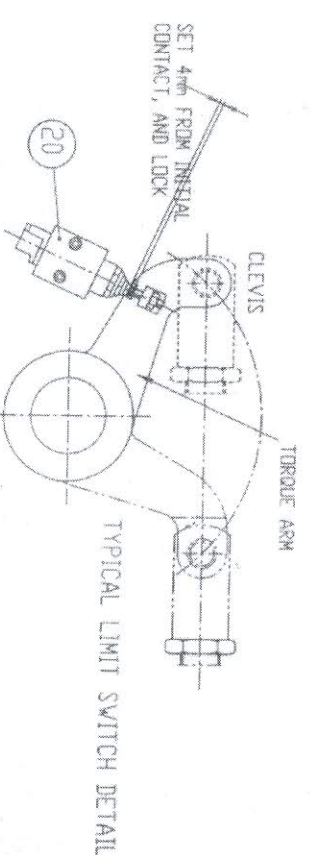
DETAIL OF PISTON ROD  
CLEVIS ARRANGEMENT

32 CONTROL CIRCUIT COMPONENTS (NOT SHOWN)



BEARING SEAL DETAIL

PACK BEARING  
& CAVITY DETAIL WITH  
GREASE (SHELL MALLEUS JB)



SET 4mm FROM INITIAL  
CONTACT, AND LOCK

CLEVIS  
TORQUE ARM

TYPICAL LIMIT SWITCH DETAIL

400mm IN-LINE DOME VALVE  
PHD (0 - 100°C)