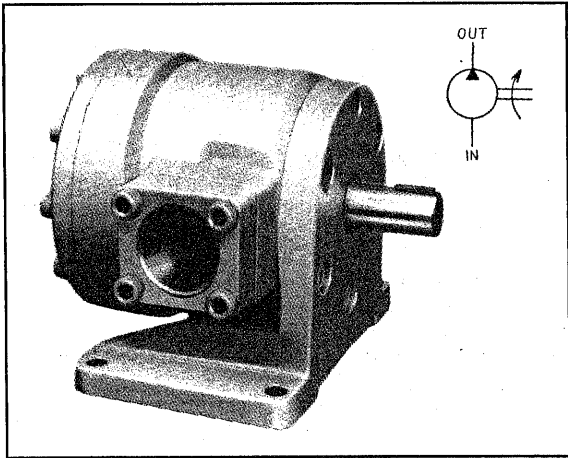


FIXED-DISPLACEMENT VANE PUMP (HVP-FE1 SERIES)



FEATURES

- The bearing load is small thanks to the hydraulically balanced design, allowing long life and operating economy.
 - The pump contains only a few component parts, made for easy maintenance.
 - The flange-mount style pipe connection port allows installation/removal of a pump without disconnecting pipes.
- The standard direction of rotation is clockwise, viewed from the shaft end.
 - The standard inlet port and outlet port positions are left and right, respectively, viewed from the shaft end.
 - The pump can be used for R&O type and abrasion-resistant type hydraulic fluid applications.
 - The permissible fluid temperature is as below:
Equivalent to ISO VG32: 0 to 60°C (350 to 15 mm²/sec)
Equivalent to ISO VG46: 6 to 65°C (350 to 18 mm²/sec)
 - When fire-resistant fluid is used, specify "G" (water-glycol fluid) at the end of model designation. In this case, the maximum speed is 1,200 min⁻¹. Please consult us about the applicable brand of water-glycol fluid.
Example: HVP-FE1-L50R-A-G
 - It is possible to change the direction of pump rotation. For details, please consult us.
 - The permissible operating ambient temperature range is from 0 to 60°C.

SPECIFICATIONS

1,200 min⁻¹ 20 mm²/s

Model	Displacement (cm ³ /rev)	Pressure (MPa)		Flow (L/min)					Input (kW)					Speed (min ⁻¹)		
		Rating	Max.	0.5 MPa	2 MPa	3.5 MPa	5 MPa	7 MPa	0.5 MPa	2 MPa	3.5 MPa	5 MPa	7 MPa	Rating	Max.	Min.
★ HVP-FE1-* 50R-A	49.2	7	7	57.4	55.9	54.5	53.0	51.1	1.2	2.7	4.5	6.2	8.4	1,200	1,800	600
HVP-FE1-* 60R-A	63.5			73.9	72.4	70.9	69.4	67.4	1.5	3.3	5.6	7.8	10.5			
HVP-FE1-* 75R-A	77.0			89.6	88.0	86.4	84.8	82.7	1.9	4.0	6.7	9.3	12.7			
HVP-FE1-* 85R-A	83.2			96.8	95.1	93.3	91.6	89.3	2.0	4.4	7.3	10.2	13.9		1,500	
HVP-FE1-* 95R-A	95.5			111.2	109.2	107.2	105.2	102.5	2.2	5.0	8.2	11.4	15.6			
HVP-FE1-* 108R-A	103.7			120.6	118.7	116.8	114.9	112.4	2.4	5.3	8.8	12.3	16.8		1,200	
HVP-FE1-* 120R-A	119.1			138.4	136.3	134.1	132.0	129.1	2.7	6.1	10.1	14.1	19.2			

NOTE: The symbol "*" in the Model column indicates the mounting method - L for foot-mount and F for flange-mount.

EXTERNAL DIMENSIONS

