

## Gate Contact

Art. Nr.: 0950 00

### Function

The gate contact serves for monitoring the opening of gates and doors such as sliding gates and doors.

The gate contact consists of a reed contact and a magnet and has properties similar to that of a conventional (reed) magnetic contact.

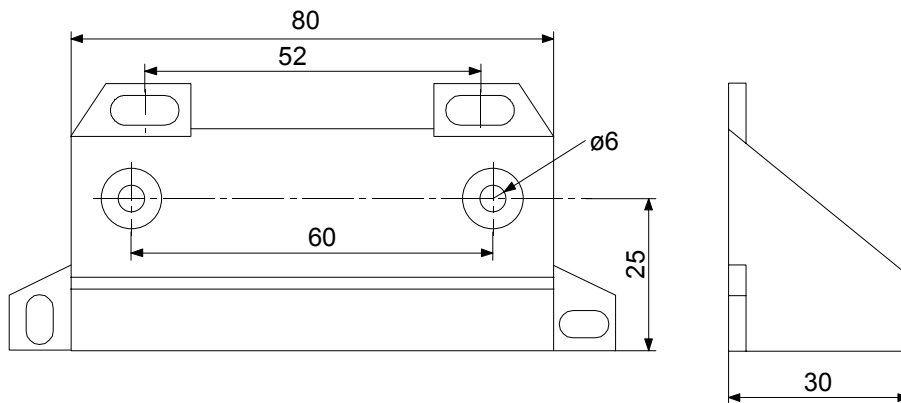
Due to its robust enclosure, failures caused by rubber-tired vehicles running over are almost impossible.

The high magnetic force guarantees proper functioning, even on unstable gate constructions.

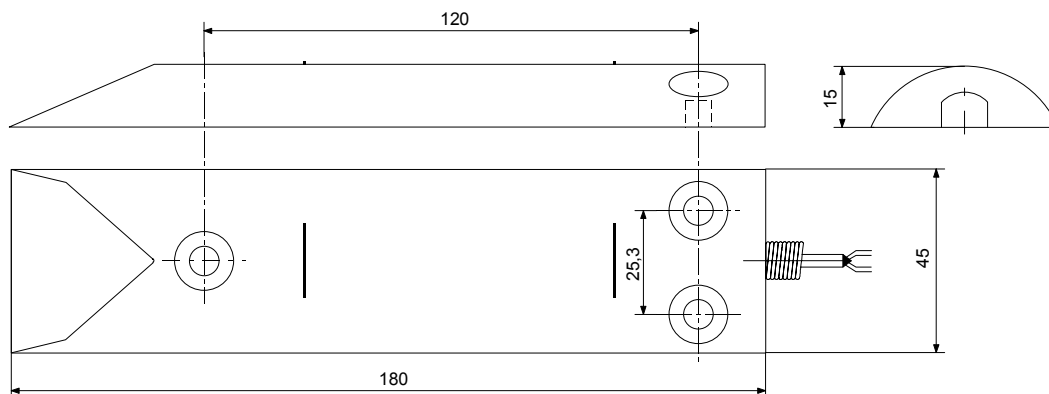
### Caution

**The installation and assembly of electrical equipment may only be performed by a skilled electrician.**

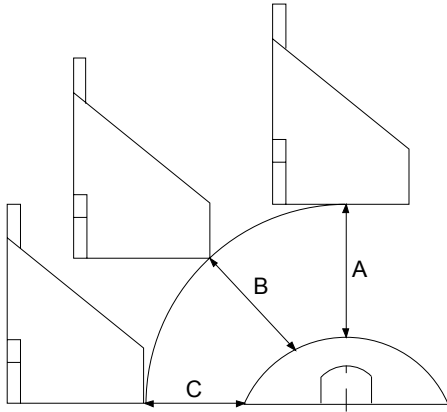
- Installation on a Gate/Door Element



- Installation on the Floor or on a Gate/ Door Frame

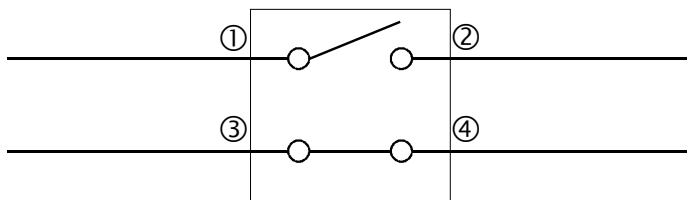


## Switching Distances



Closed contact	Open contact
A: < 45 mm	A: > 56 mm
B: < 35 mm	B: > 45 mm
C: < 25 mm	C: > 35 mm

## Electrical Connection



### Contacts

① + ② : Reed contact (normally open)

③ + ④ : Sabotage bridge

### Continuity test

#### Continuity:

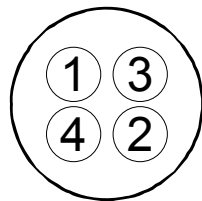
=> ③ + ④

=> Sabotage bridge !

#### No continuity:

=> ① + ②

=> Reed contact !



## Specifications

Switching capacity: Max. 10 W  
 Switching voltage: Max. 200 VDC  
 Switching current: Max. 500 mA  
 Contact resistance: Max. 0.1 Ω

Reed contact: Normally open  
 Reed contact material: Rhodium  
 Magnet: Flexo 150  
 Enclosure: Polished alu (GD Al Si 12)  
 Connection line: 4x 0.14 mm<sup>2</sup>  
 Line diameter: 4 mm Line/sheath  
 connection length: 1.8 m / 1.0 m

Weight: Approx. 400 g  
 Temperature range: -25°C ... +60°C  
 Protective system: IP 32  
 VdS-Nr.: G 191 589

---

## Acceptance of guarantee

We accept the guarantee in accordance with the corresponding legal provisions.

**Please return the unit postage paid to our central service department giving a brief description of the fault:**

Gira  
Giersiepen GmbH & Co. KG  
**Service Center**  
Dahlienstrasse 12  
D-42477 Radevormwald



The CE sign is a free trade sign addressed exclusively to the authorities and does not include any warranty of any properties.

Gira  
Giersiepen GmbH & Co. KG  
Postfach 1220  
D-42461 Radevormwald

Telefon: +49 / 21 95 / 602 - 0  
Telefax: +49 / 21 95 / 602 - 339  
Internet: [www.gira.de](http://www.gira.de)