

Oil Burner Safety Control TF 801 / 801.2

TF 802 / 802.2 300e/04 /98

For 1- or 2-stage oil power burners up to 30kg/h capacity and intermittent operations.

Flame detection:

- Photoresistor FZ 771 S
- Infrared-flicker detector IRD 1010
- UV solid state sensor UVD 970

APPLICATION RANGE

The TF 801 or TF 802 oil burner safety control boxes are suitable to control and monitor oil power burner up to 30 kg/h capacity (approved and certified according to DIN 4787). The control boxes TF 801.2 and TF 802.2 are approved and certified according to EN230.

TYPES AVAILABLE

TF 801	1-stage operation post-ignition time ca. 20 sec.
TF 801.2	1-stage operation post-ignition time ca. 20 sec. low voltage protection according to EN230
TF 802	2-stage operation post-ignition time 2-4 sec.
TF 802.2	2-stage operation post-ignition time 2-4 sec. low voltage protection according to EN230

CONSTRUCTIONAL FEATURES

The control box circuitry is protected by a flame resistant, transparent plastic housing. It incorporates the thermo-mechanical, temperature compensated timer, flame check and reset circuits.

Manual reset from lockout is provided by a push button with an integrated lockout signal lamp. A central fixing screw locks the control box to the wiring base. The wiring base and control box have a positive plug-in arrangement, making it impossible to achieve an incorrect connection between the two parts. A variety of cable entry points provides utmost flexibility of electrical wiring.



The TF 802.2 is fully compatible with the TF 701, 701-1 and TF 802. The flame detector IRD 910 must be replaced by its compatible type IRD 1010.

An optional extension button (item no. 70601) compensates for height differences.



TECHNICAL DATA

Operating voltage	220/240V (-15..+10%) 50 Hz (40-60Hz)
Fuse rating	10 A fast, 6 A slow
Power consumption	ca. 5 VA
Max. load per output	
- terminal 3	1.5 A, cos φ 0.2
- terminal 4	4 A, cos φ 0.4
- terminal 5	0.5 A, cos φ 0.4
- terminal 6	0.5 A, cos φ 0.4
- terminal 7	0.1 A, cos φ 0.4
total load	5A, cos φ 0.4
Pre-purge time	ca. 12 sec.
Pre-ignition time	ca. 12 sec.
Post-ignition time	TF 801/TF801.2 ca. 20 sec. TF 802/TF802.2 ca. 2-4 sec
Delay time to oil valve 2	40 sec. (TF 802)
Lockout safety time	10 sec.
Reset time from lockout	ca. 90 sec
Flame detector:	
FZ 771 S red	side-on viewing
FZ 771 S white	side-on and end-on viewing
Light sensitivity FZ 711S	> 10 Lux
IRD 1010	side-on or end-on viewing
UVD 970	end-on viewing
Weight incl. wiring base	0.25 kg
Mounting position	any
Protection class	IP44
Recommended ambient operating temperature for control and flame detector	0°C...+60°C
approved and certified according to European standards	
TF 801.2/TF802.2	EN 230
TF 801/TF802	DIN 4787

APPLICATION NOTES

1. Flame control

The following detectors can be used for flame control:

- For yellow oil flame: photoresistor FZ 771 S (red inscription: side-on; white inscription: side-on and end-on viewing)
- for blue or yellow flame: infrared-flicker detector type IRD 1010 or as alternative the UV solid state sensor UVD 970.

Using the photo resistor FZ 711 S, the no flame signal is generated at light levels below 3 Lux with respect to the operating cycle of the control. According to DIN74787 and EN 230 stray light safety level has to be established in conjunction with the accompanying burner.

Connecting the IRD 1010 or the UVD 970, the correct wiring has to be observed.

2. Burner control

For burners without an oil solenoid valve, the burner motor has to be connected to terminal 5.

3. Low-voltage protection

TF 801.2 and TF 802.2 only

- The mains voltage has to be more than $187 V_{\text{eff}}$ in order to allow the unit to perform a start-up.
- The mains voltage is not only monitored in the start-up phase but also permanently during operation. If the voltage drops below $<160 V_{\text{eff}}$ during start-up or run time the control box goes into lockout mode. If the voltage rises again, the control box performs automatically a start-up as soon as the mains voltage is $>187 V_{\text{eff}}$.

4. Safety

The design and control sequence of the TF 801/TF 801.2 and TF 802/TF802.2 control boxes comply with the currently applicable European standards and regulations.

6. Mounting and electrical wiring

Wiring base:

- 3 earth terminals with additional terminal for burner earthing
- 3 neutral terminals with internal permanent connection to neutral terminal (terminal 7)
- 2 spare auxiliary terminals
- 2 slide in plates and 2 easy-knockout holes (PG 11 thread), plus 2 easy-knockout holes in the bottom of the base facilitate the wiring.
- The 3-wire sensor cable can be used for the IRD and UVD as well as for the FZ711 S. Please keep that in mind for burners which may be upgraded from FZ to IRD or UVD later on (e.g. upgraded to a blue flame burner).

General:

- The control box can be mounted in any position. The protection class is IP44 (water spray tight). Neither the control box nor the flame detector should be subjected to excessive vibration.

COMMISSIONING AND ROUTINE CHECKS

1. Important notes

- The controls must be installed by qualified personnel only. The relevant national regulations have to be observed.
- On commissioning the wiring has to be carefully checked according the appropriate diagram, Incorrect wiring can damage the unit and endanger the installation.
- The fuse rating has to ensure that the limits specified in TECHNICAL DATA will not be exceed. If these precautions are not observed, the effect of a short circuit can cause severe damage to the control and installation.
- For safety reasons a minimum of one control shut-down per 24 hours has to be observed.
- Disconnect the mains before the control box is plugged in or out!
- The control box is a safety device and must not be opened!

2. Function control

For safety reasons the flame detection system should be tested on commissioning the installation as well as after a service or longer shut-down.

Prerequisite: mains voltage $>187 V_{\text{eff}}$
(for TF801.2 and TF 802.2 only)

- a) Start-up with covered flame detector
 - After lock-out safety time is over the unit has to go in to lockout mode!
- b) Start-up with exposed flame detector:
 - After 20 sec. pre-purge time the unit has to go into lockout mode!
- c) Normal start-up with burner in the normal position, cover up the flame detector:
 - After start-up, and end of lock-out safety time the unit has to go into lockout mode!
- d) The flame sensor signals can be checked either using the UP 940 or performing the following measurements:
 - For TF801 and TF802 only: The measured sensor signal during operation should be minimal 2.4mA
 - For TF801.2 and TF802.2 only: The sensor signal measurements are not reliable, as only marginal values changes occur. Measure instead the voltage across the photo resistor! For a reliable flame monitoring the DC voltage across the photo resistor (terminal 1 and 2) in operating mode should be less than 2 V.

3. Fault findings

Burner is not working:

- thermostat circuit open
- faulty electrical wiring
- mains voltage $<187 V_{\text{eff}}$ (for TF801.2 and TF 802.2 only)

Burner starts, but the flame does not establish, a lock out occurs:

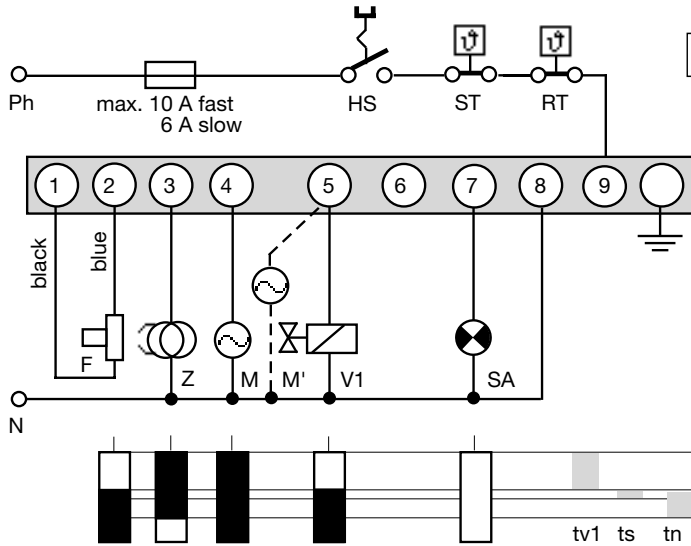
- stray light on flame detector
- no ignition or no fuel

Burner starts, the flame establishes, but after the safety time, a lock out occurs:

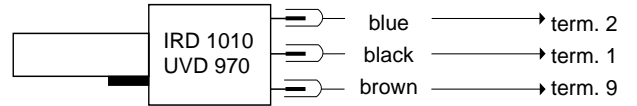
- dirty or faulty flame detector
- insufficient light on detector
- sensitivity adjustment too low on IRD.

For a quick and safe diagnosis use the Honeywell UP 940 burner test box.

CIRCUIT AND TIMING DIAGRAM TF 801/TF 801.2

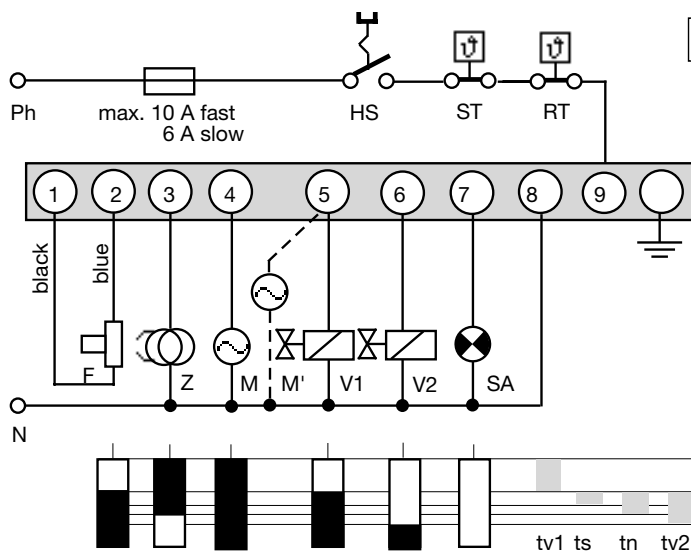


IRD-OR UVD CONNECTION

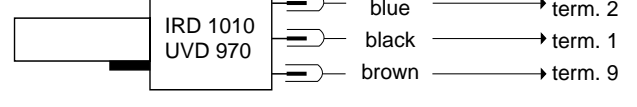


- HS Mains switch
- ST Limit thermostat
- RT Control thermostat
- F Flame detector FZ 711 S
(IRD 1010, UVD 970 see separate diagram)
- Z Ignition
- M Burner motor
(burner **with** solenoid valve)
- M' Burner motor
(burner **without** solenoid valve)
- V1 Oil solenoid valve, 1st-stage
- SA External lock-out signal
- tv1 Pre-ignition time with or without pre-purge
- ts Lock-out safety time
- tn Post-ignition time

CIRCUIT AND TIMING DIAGRAM TF 802/TF 802.2

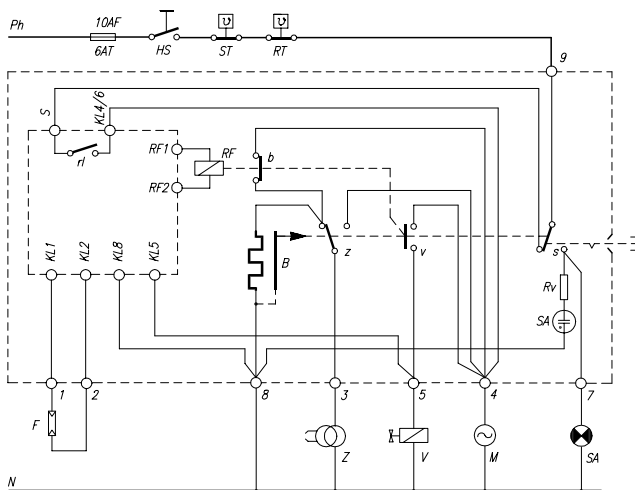


IRD-OR UVD CONNECTION

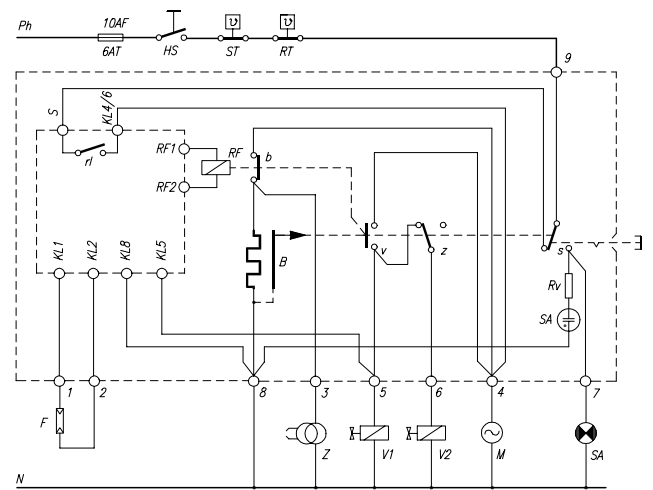


- HS Mains switch
- ST Limit thermostat
- RT Control thermostat
- F Flame detector FZ 711 S
(IRD 1010, UVD 970 see separate diagram)
- Z Ignition
- M Burner motor
(burner with solenoid valve)
- M' Burner motor
(burner without solenoid valve)
- V1 Oil solenoid valve, 1st-stage
- V2 Oil solenoid valve, 2nd stage
- SA External lock-out signal
- tv1 Pre-ignition time with or without pre-purge
- ts Lock-out safety time
- tn Post-ignition time
- tv2 Delay 2nd stage

SCHEMATIC DIAGRAM TF 801.2



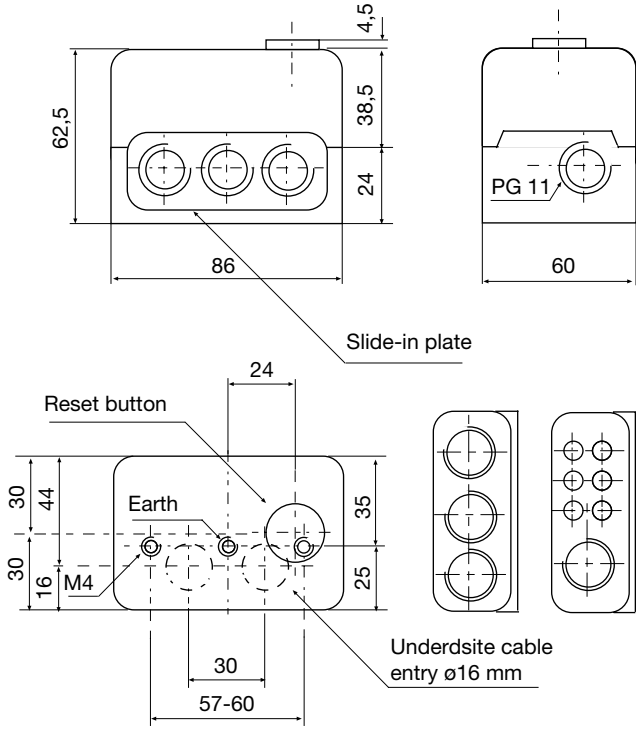
SCHEMATIC DIAGRAM TF 802.2



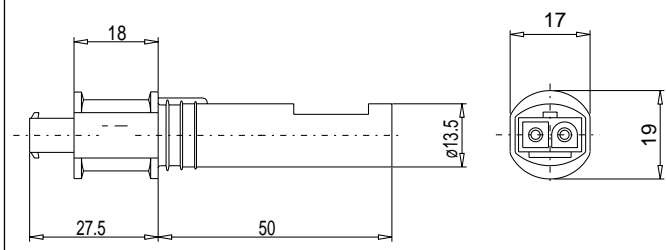
- HS Mains switch
- ST Limit thermostat
- RT Control thermostat
- SA Lock-out signal indicator
- F Flame detector MZ 770 S, IRD 1010 or UVD 970
- V Valves
- Z Ignition
- M Burner motor

- RF Flame relay
- rl low voltage relay
- B Thermomechanical timer
- RV Resistor

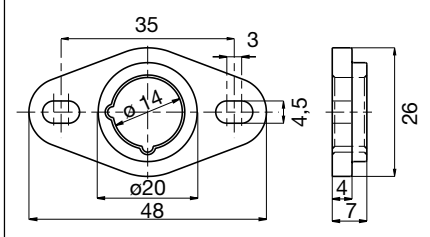
TF 80X AND SOCKET



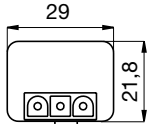
PHOTORESISTOR FZ 711 S



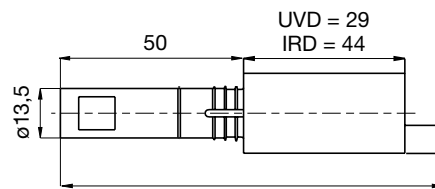
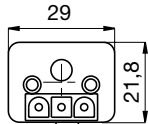
HOLDER M74 FOR FZ, IRD OR UVD



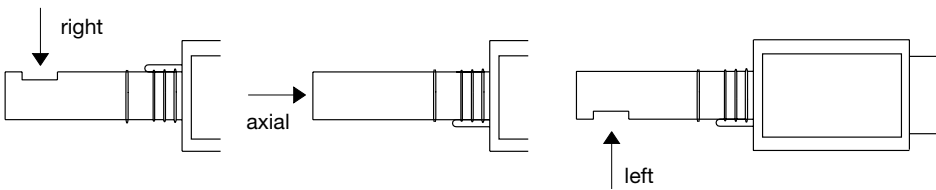
UVD 970



IRD 1010



VARIATION IRD



ORDERING INFORMATION

ITEM	DESIGNATION	ITEM NO.
Control box	Type TF 801	02001
or	Type TF 801.2	02021
Control box	Type TF 802	02404
or	Type TF 802.2	02424
Socket	Socket 701 ABEN	70001
Insert plate	PG-Plate	70502
optional	Cable entry plate	70501
Flame detector	FZ 711 S red	40001
optional	FZ 711 S white	41001
optional	IRD 1010 right	16501
optional	IRD 1010 end-on	16502
optional	IRD 1010 left	16503
optional	UVD 970	16702
Support for flame detector	Holder M 74 for FZ, IRD, UVD	59074
Connectioncable IRD/FZ/UVD	Plug type, 3 core cable, 0.6 m, with tag wire ends	7236001
Connectioncable FZ 711 S	Plug type, 2 core cable, 0.5 m, with tag wire ends	7225001

The above ordering information refers to the standard version.
Special versions are also included in our product range.

Specifications subject to change without notice

Combustion Controls EMEA - Local Honeywell Sales Offices

France

Honeywell SA
Parc Technologique de St. Aubin
Bâtiment Mercury – BP87
91193 Gif-Sur-Yvette Cedex
FRANCE

Phone: (33) 1 60 19 80 00
Fax: (33) 1 60 19 81 81

internet: www.honeywell.fr

Spain

Honeywell S.A.
Josefa Valcárcel, 24
28027 Madrid
SPAIN

Phone: (34) 9 13136100
Fax: (34) 9 13 13 61 27

internet: www.honeywell.es

Eastern Europe

Honeywell s.r.o.
Mlynske Nivy 73
PO Box 75
82007 Bratislava 27
SLOVAKIA

Phone: (421) 2 58247 400
Fax: (421) 2 58247 415

e-mail: info.slovakia@honeywell.com

United Kingdom

Honeywell Control Systems Ltd
Honeywell House, Arlington Business Park
Bracknell
Berkshire, RG12 1EB
UNITED KINGDOM

Switchboard +44 (0)1344 656000
Information Centre Tel +44 (0)1344 656235
Information Centre Fax +44 (0)1344 656240

Email: Uk.infocentre@honeywell.com
internet: www.honeywelluk.com

Germany, Austria, Switzerland

Honeywell GmbH
Kaiserleistrasse 39
63067 Offenbach
DEUTSCHLAND

Phone: (49) 6 980640
Fax: (49) 69 81 86 20

internet: www.honeywell.de

Benelux

Honeywell B.V.
Laarderhoogtweg 18
1101 EA Amsterdam Z.O.
THE NETHERLANDS

Phone: (31) 2 05656911
Fax: (31) 2 05 65 66 00

internet: www.honeywell.nl

Italy

Honeywell S.r.l.
Via P. Gobetti, 2/B
20063 Cernusco sul Naviglio (MI)
ITALY

Phone: 39 02 92146 1
Fax: 39 02 92146 888

internet: <http://www.honeywell.com/sites/it/>