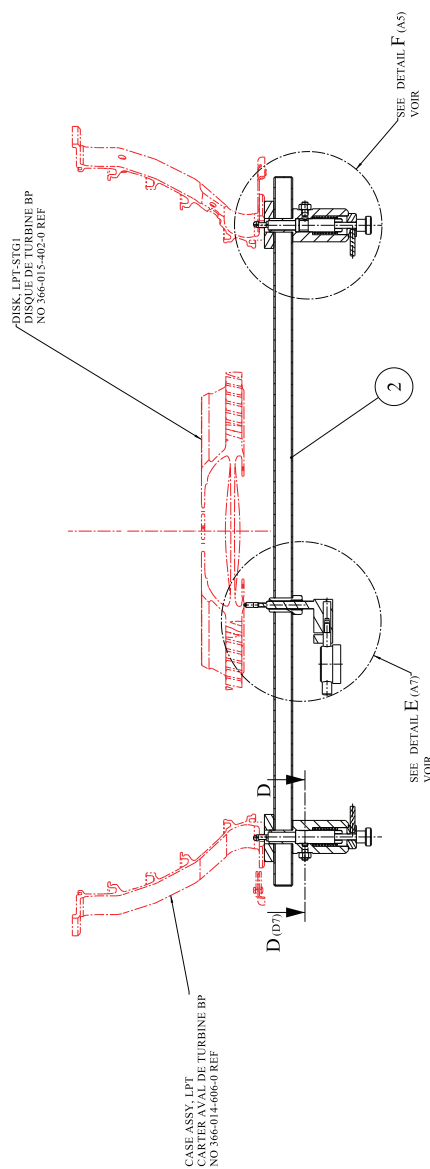
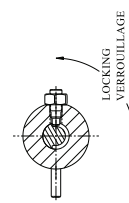




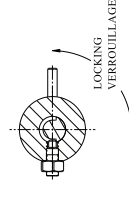
REVISED MODIFICATIONS		APPROVED	DATE
DATE	BY	DATE	BY
01/05/94			
DESCRIPTION / DESCRIPTION		EQUIP. / EQUIP.	
NEW DRAWING		F-06 CERTA	
CREATION DE LA LIAISON		L.H.V.	



SECT A-A (F3) SH.3  
PL.



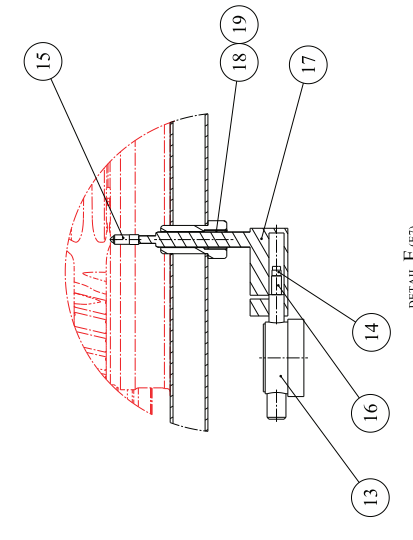
SECT C-C (B4)  
SCALE: 1  
ECH.



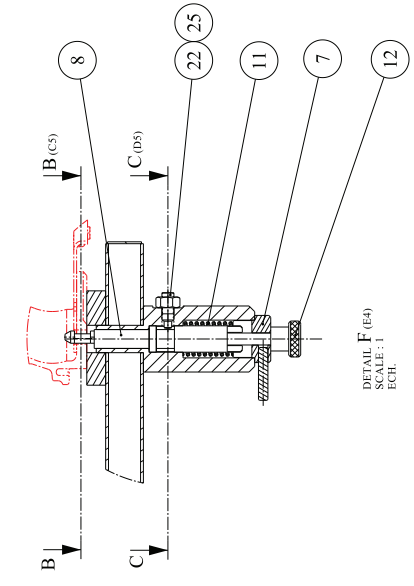
SECT D-D (F8)  
SCALE: 1  
ECH.



SECT B-B (B0)  
SCALE: 3  
ECH.



DETAIL E (E7)  
SCALE: 1  
ECH.



DETAIL F (E4)  
SCALE: 1  
ECH.

PROJET / PROJET		846-916-400-	
DRAMA / DRAMA	E / E	FA003	FA003
DATE / DATE	01/05/94	SCALE / ECH.	1:1
REV. 1		REV. 2	