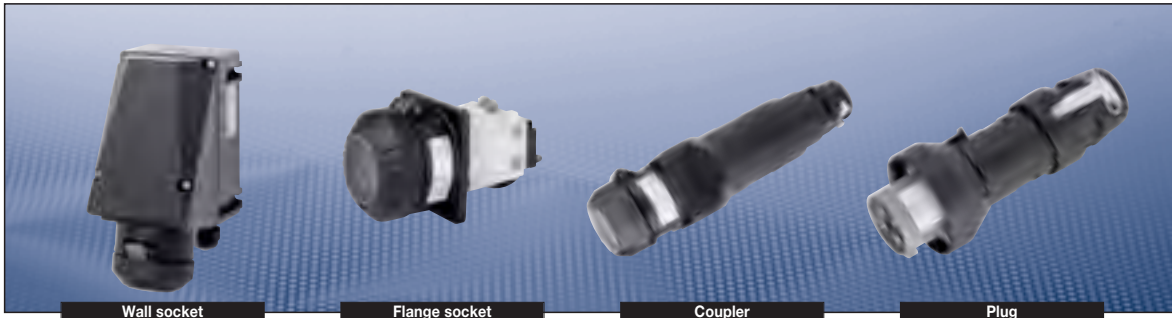


16 A 3-pole, 4-pole and 5-pole up to 690 V



Technical data

Ex-plugs and receptacles acc. to IEC 60309-1/2 16A	
Marking to 94/9/EC	Ⓔ II 2 G Ex ed IIC T6 / Ⓔ II 2 D Ex tD A21 IP66 T80 °C
EC-Type Examination Certificate	Wall socket, plug and coupler: PTB 99 ATEX 1039 Flange socket: PTB 99 ATEX 1040 U
IECEx certification of conformity	IECEx BKI 04.0002
IECEx type of protection	Ex ed [ia] IIC T6/T5
Permissible ambient temperature	-20°C to +40°C ¹⁾
Rated voltage	up to 400 V (3-pole) / 690 V (4-pole) / 500 V (5-pole) AC
Rated current	16 A
Frequency	up to 400 Hz
Rated making/rated breaking capacity AC-3 accd. EN 60947-3	U _e 690 V / I _e 16 A
External back-up fuse, max.	without therm. protection: 16 A with therm. protection: 35 A gL (rated current 16 A set to)
Insulation class	I
Degree of protection to EN 60529	IP66

Wall socket	
Cable glands	1 x M25 Ø 8 - 17 mm, 1 x M25 Ex-screw plug plastic or 2 x metal thread M20 with Ex-screw plug plastic
Connecting terminals	2 x 1 - 4 mm ²
Enclosure material	Glass-fibre reinforced polyester

Plug	
Cable glands	Ø 8 - 19 mm (3-pole) / Ø 8 - 21 mm (4-pole) / 12 - 21 mm (5-pole)
Connecting terminals	1 x 1.0 - 2.5 mm ²
Enclosure material	polyamide

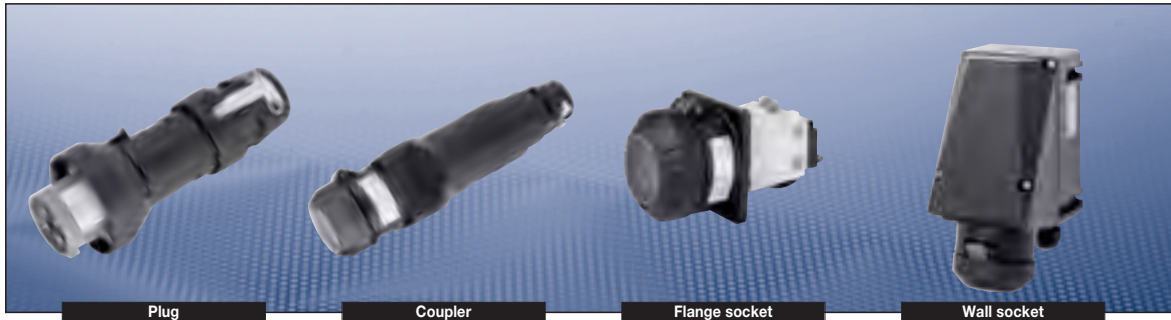
Coupler	
Cable glands	Ø 8 - 19 mm (3-pole) / Ø 8 - 21 mm (4-pole) / 12 - 21 mm (5-pole)
Connecting terminals	2 x 1 - 4 mm ²
Enclosure material	polyamide

Flange socket	
Connecting terminals	2 x 1 - 4 mm ²
Enclosure material	polyamide

¹⁾ extended temperature range on request

Ordering details

Voltage	h	Type	Auxiliary contact	Cable entries	Weight approx.	Order No.
110-130 V		Wall socket	-	M25 KU	1.2 kg	GHG 511 4304 R0001
		Wall socket	-	M20 GE	1.2 kg	GHG 511 4304 R0002
		Wall socket	-	M20 ME	1.3 kg	GHG 511 4304 R3001
		Wall socket	-	M20 GM	1.3 kg	GHG 511 4304 R3003
	4	Flange socket			0.4 kg	GHG 511 8304 R0001
		Coupler			0.7 kg	GHG 511 3304 R0001
		Plug			0.35 kg	GHG 511 7304 R0001



Ordering details

Voltage	h	Type	Auxiliary contact	Cable entries	Weight approx.	Order No.
Type 16 A 3-pole						
200-250 V		Wall socket	–	M25 KU	1.2 kg	GHG 511 4306 R0001
		Wall socket	–	M20 GE	1.2 kg	GHG 511 4306 R0002
		Wall socket	–	M20 ME	1.3 kg	GHG 511 4306 R3001
	6	Wall socket	–	M20 GM	1.3 kg	GHG 511 4306 R3003
		Flange socket			0.4 kg	GHG 511 8306 R0001
		Coupler			0.7 kg	GHG 511 3306 R0001
		Plug			0.35 kg	GHG 511 7306 R0001
Type 16 A 4-pole						
200-250 V		Wall socket	–	M25 KU	1.8 kg	GHG 511 4409 R0001
		Wall socket	–	M20 ME	1.9 kg	GHG 511 4409 R3001
		Flange socket			1.0 kg	GHG 511 8409 R0001
	9	Coupler			1.7 kg	GHG 511 3409 R0001
		Plug			0.7 kg	GHG 511 7409 R0001
380-415 V		Wall socket	–	M25 KU	1.8 kg	GHG 511 4406 R0001
		Wall socket	–	M20 ME	1.9 kg	GHG 511 4406 R3001
		Wall socket	yes	M25 KH	1.8 kg	GHG 511 4406 R0501
	6	Flange socket			1.0 kg	GHG 511 8406 R0001
		Coupler			1.7 kg	GHG 511 3406 R0001
		Plug			0.7 kg	GHG 511 7406 R0001
480-500 V		Wall socket	–	M25 KU	1.8 kg	GHG 511 4407 R0001
		Wall socket	–	M20 ME	1.9 kg	GHG 511 4407 R3001
		Wall socket	yes	M25 KH	1.8 kg	GHG 511 4407 R0501
	7	Flange socket			1.0 kg	GHG 511 8407 R0001
		Coupler			1.7 kg	GHG 511 3407 R0001
7	Plug			0.7 kg	GHG 511 7407 R0001	
	600-690 V		Wall socket	–	M25 KU	1.8 kg
Wall socket			–	M20 ME	1.9 kg	GHG 511 4405 R3001
Wall socket			yes	M25 KH	1.8 kg	GHG 511 4405 R0501
5		Flange socket			1.0 kg	GHG 511 8405 R0001
		Coupler			1.7 kg	GHG 511 3405 R0001
5	Plug			0.7 kg	GHG 511 7405 R0001	
	Type 16 A 5-pole					
200-250 V		Wall socket	–	M25 KU	1.8 kg	GHG 511 4506 R0001
380-415 V		Wall socket	–	M20 ME	1.9 kg	GHG 511 4506 R3001
		Wall socket	yes	M25 KH	1.8 kg	GHG 511 4506 R0501
6		Flange socket			1.0 kg	GHG 511 8506 R0001
		Coupler			1.7 kg	GHG 511 3506 R0001
6	Plug			0.7 kg	GHG 511 7506 R0001	

Other voltage ranges and versions available on request.

KU = 1 x plastic cable glands M25 for Ø 8 -17 mm, 1 x M25 Ex-screw plug plastic

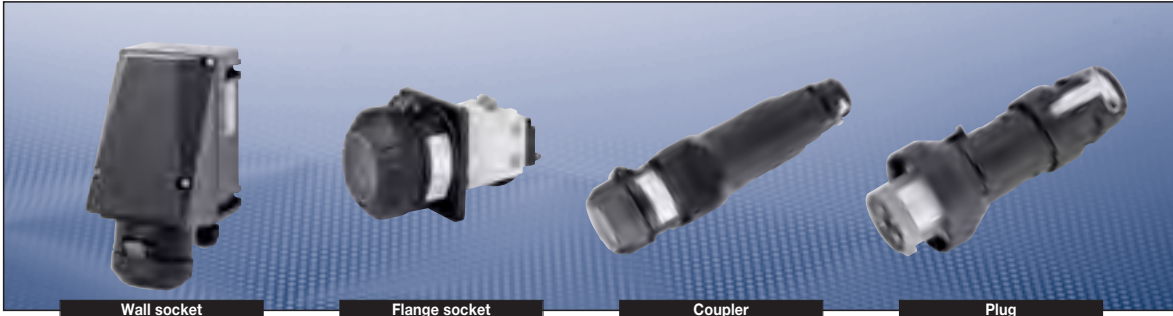
KH = 2 x plastic cable glands M25 for Ø 8 - 17 mm, auxiliary contact, 1 NO

ME = 2 x metal thread M20 with Ex-screw plug plastic

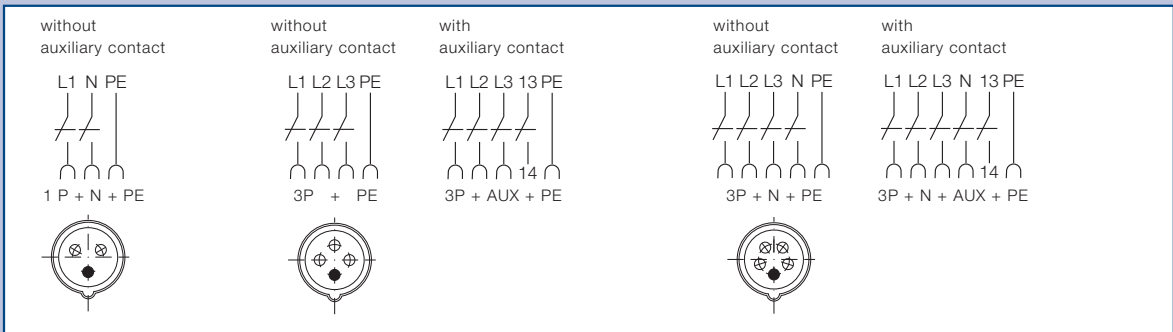
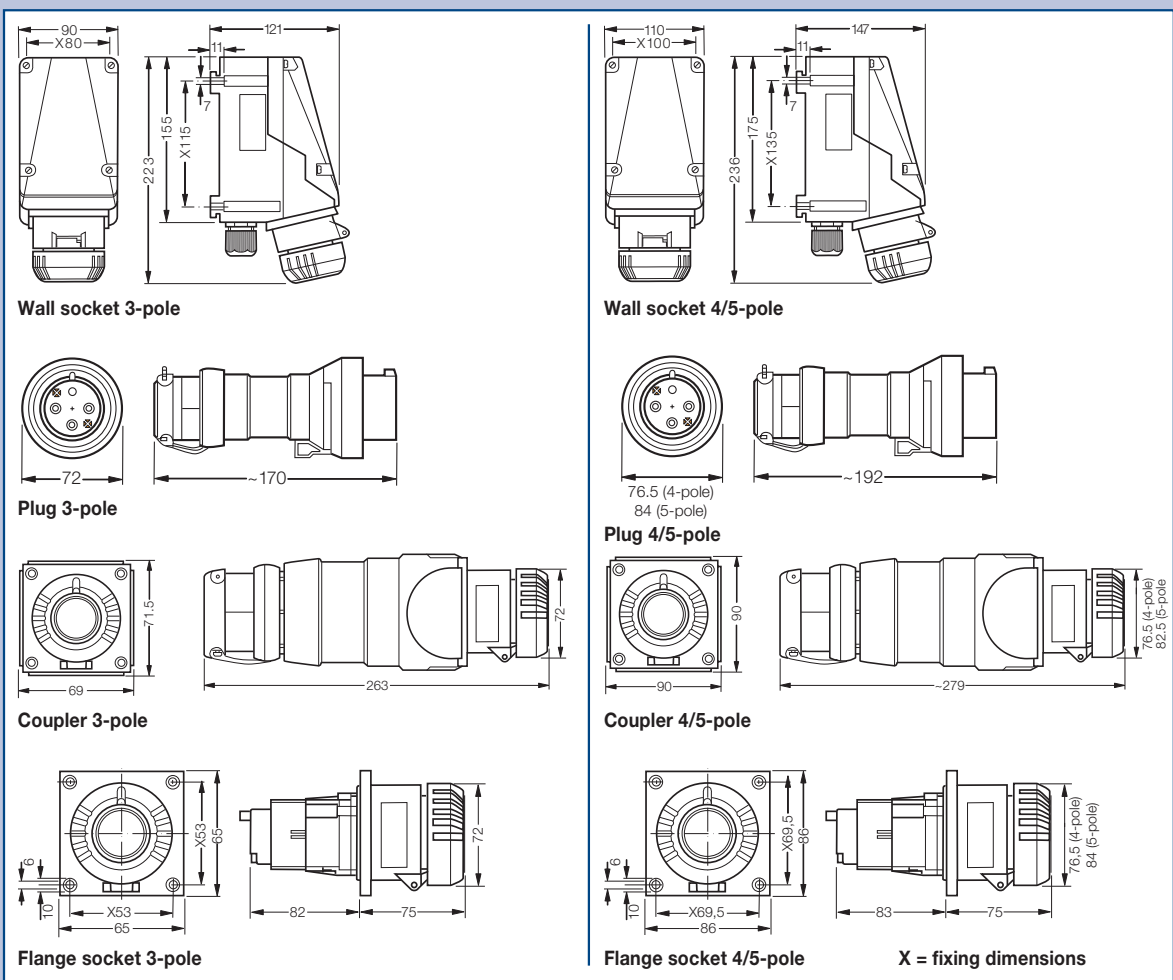
GE = 2 x plastic thread M20 without cable gland/screw plug

GM = 2 x metal thread M20 without cable gland/screw plug

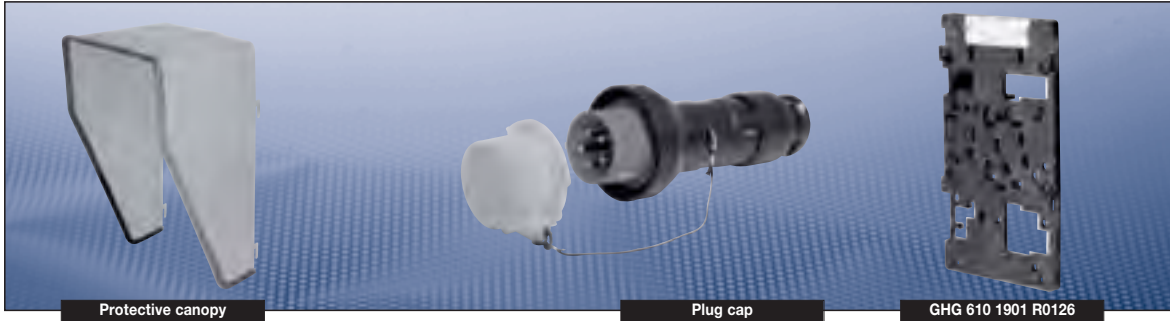
16A 3-pole, 4-pole and 5-pole up to 690 V



Dimension drawing | Wiring diagram



Dimensions in mm



Accessories

Mounting plates for wall sockets 16 A

Type	Application	Fixing method	Order No.
Size 4	for wall mounting	snapped on	GHG 610 1953 R0126
Size 4	for trellis mounting	snapped on	GHG 610 1953 R0126
Size 4	for pipe mounting	snapped on	GHG 610 1953 R0130

Plug cap for plugs 16 A

Type	Order No.
Plug 16 A 3-pole	GHG 510 1901 R0001
Plug 16 A 4-pole	GHG 510 1901 R0002
Plug 16 A 5-pole	GHG 510 1901 R0003

Accessories for mounting plates

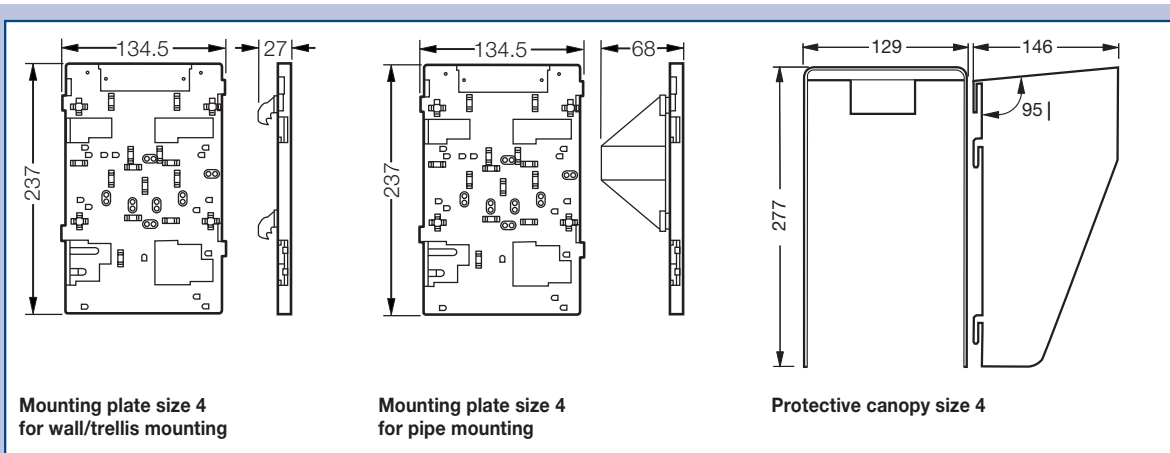
Type	OU	Order No.
Mounting set for pipes 1" (Ø 27 - 30 mm) for mounting plates with pipe fixing	10	GHG 610 1953 R0020

Please pay attention to that only order units (OU) according to the ordering details can be delivered.

Protective canopy for mounting plate

Type	Application	Order No.
Size 4	for mounting plate size 4 plugable	GHG 610 1955 R0107

Dimension drawing



Mounting plate size 4 for wall/trellis mounting

Mounting plate size 4 for pipe mounting

Protective canopy size 4

Dimensions in mm