

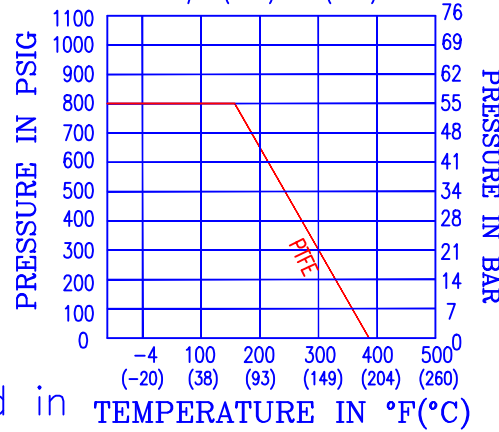
# SERIES YS-800

Y-Strainer

800 PSI

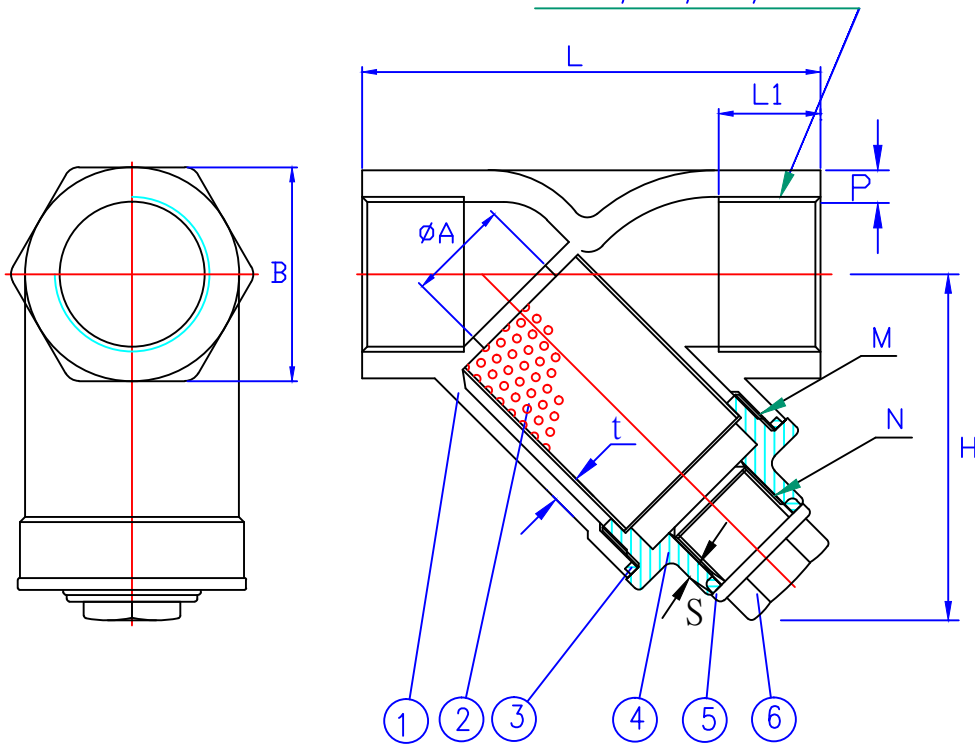
1/4" (DN8) to 3" (DN80)

Pressure Vs. Temperature Chart  
for Valve 1/4" (DN8) to 3" (DN80)



NO	PARTSNAME	SPECIFICATION	Q,TY
1	BODY	ASTM A-351 Gr.CF8M	1
2	SCREEN	SUS 316, (φ 1.0mm)	1
3	GASKET PACKING	TEFLON(PTFE)	1
4	BONNET	ASTM A-351 Gr.CF8M	1
5	PLUG GASKET	TEFLON(PTFE)	1
6	Blow Off Plug	ASTM A-351 Gr.CF8M	1

Thread Standard in BSPT, NPT, BSP, etc.



SIZE	A	B	H	L	L1	t	S	P	N	M	Wt(kg)
1/4	11	23	46	65	13.5	3.0	3.0	5.2	W13x19	W25x16	0.24
3/8	13	23	46	65	14.0	3.0	3.0	3.5	W13x19	M25x16	0.23
1/2	15	26	46	65	15.0	3.0	3.0	3.1	W13x19	M25x16	0.23
3/4	20	32	55	80	17.0	3.0	3.0	3.5	W13x19	W30x16	0.36
1	25	41	70	90	19.0	3.5	3.5	4.7	W20x16	W38x16	0.7
1 1/4	32	51	73	105	20.0	3.6	3.6	5.2	W20x16	W43x16	0.9
1 1/2	38	57	81	120	22.0	4.0	3.6	5.4	W20x16	W49x16	1.2
2	50	69	94	140	23.5	4.3	3.6	5.4	W20x16	W61x16	1.9
2 1/2	65	87	120	170	29.0	5.6	7.6	8.4	W20x16	W85x12	4.3
3	80	102	140	200	31.0	6.5	7.6	8.0	W20x16	W100x12	6.3

Re: The Blow Off Plug

The thread of blow off plug referred to Whitworth Thread, but not 100% exactly according to Whitworth Thread, the thread is machined according to the practical needs for YS-800.

2. "M20x16" means OD is 20 mm, and the number of thread is 16.

3. The nipple for drain port:

For size 1/4" ~ 3/4": can be fitted with 1/4" BSPT nipple.

For size 1" and up: must use special nipple from Mars.

- one side: M20x16, the other side: NPT or BSPT

MATERIAL	DATE	2016/01/20	CHECKED BY	DRAW BY	Flora L
DRAWING	YS-800	DRAWING NAME		YS-800	



MARS VALVE CO., LTD.

ORDER	DATE	REASON FOR CHANGE	Legend	CHANGE BY	REMARK