

## Directional valves ▶ Mechanically operated

### 3/2-directional valve, Series AP

▶ Qn= 150 - 250 l/min ▶ pipe connection ▶ compressed air connection output: G 1/8



Version	Poppet valve
Working pressure min./max.	0 bar / 10 bar
Ambient temperature min./max.	-30°C / +80°C
Medium temperature min./max.	-30°C / +80°C
Medium	Compressed air
Max. particle size	5 µm
Oil content of compressed air	0 mg/m³ - 5 mg/m³

Materials:	
Housing	Aluminum
Seals	Acrylonitrile Butadiene Rubber

00108507

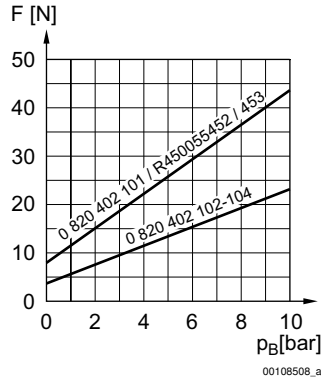
	Actuating element	Compressed air connection			Qn	Qn	Weight	Fig.	Note	Part No.
		Input	Output	Exhaust	1 → 2	2 → 3				
					[l/min]	[l/min]	[kg]			
	Plunger	G 1/8	G 1/8	G 1/8	250	150	0.07	Fig. 1	-	<b>0820402101</b>
	Roller	G 1/8	G 1/8	G 1/8	250	150	0.08	Fig. 2	-	<b>0820402102</b>
	Roller lever, one-way trip	G 1/8	G 1/8	G 1/8	250	150	0.085	Fig. 3	-	<b>0820402103</b>
	Push button	G 1/8	G 1/8	G 1/8	250	150	0.085	Fig. 4	-	<b>0820402104</b>
	Lever	G 1/8	G 1/8	G 1/8	250	150	0.075	Fig. 5	-	<b>0820402105</b>
	panel installation	G 1/8	G 1/8	G 1/8	250	150	0.09	Fig. 6	1); 2)	<b>R450055452</b>

1) Please order control button separately.  
 2) Cannot be combined with mushroom button with detent and rotary release R412012741  
 Nominal flow Qn at 6 bar and Δp = 1 bar

**3/2-directional valve, Series AP**

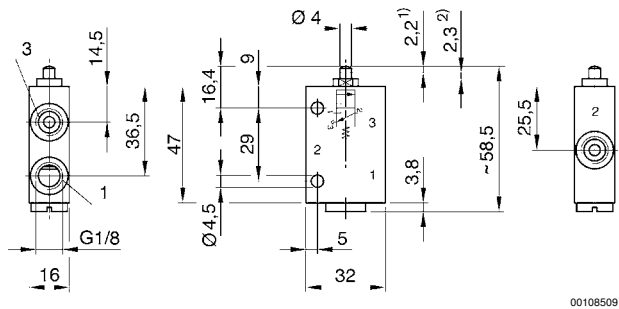
▶ Qn= 150 - 250 l/min ▶ pipe connection ▶ compressed air connection output: G 1/8

**Actuating force**



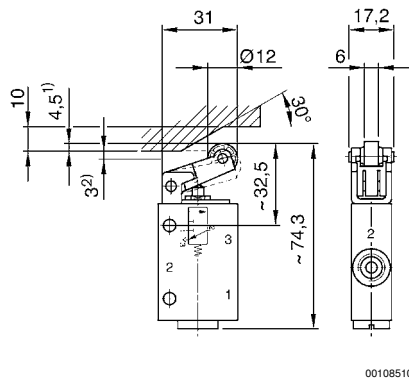
F = actuating force  
p<sub>B</sub> = Working pressure

**Dimensions, Fig. 1, Basic valve**



1) actuating stroke  
2) overstroke  
Dimensions of basic valve apply to all types of actuation.

**Dimensions, Fig. 2**



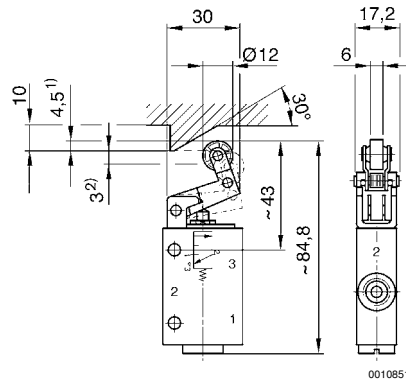
1) actuating stroke  
2) overstroke

Directional valves ▶ Mechanically operated

### 3/2-directional valve, Series AP

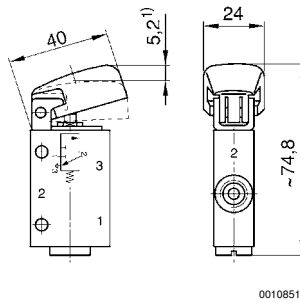
▶ Qn= 150 - 250 l/min ▶ pipe connection ▶ compressed air connection output: G 1/8

Dimensions, Fig. 3



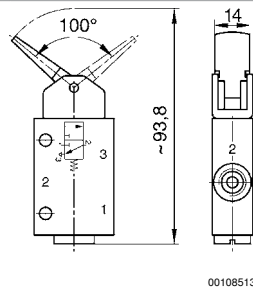
- 1) actuating stroke
- 2) overstroke

Dimensions, Fig. 4



- 1) actuating stroke

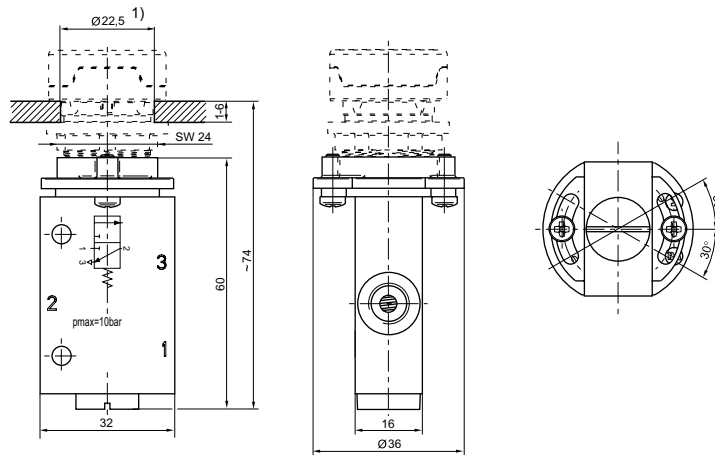
Dimensions, Fig. 5



### 3/2-directional valve, Series AP

▶ Qn= 150 - 250 l/min ▶ pipe connection ▶ compressed air connection output: G 1/8

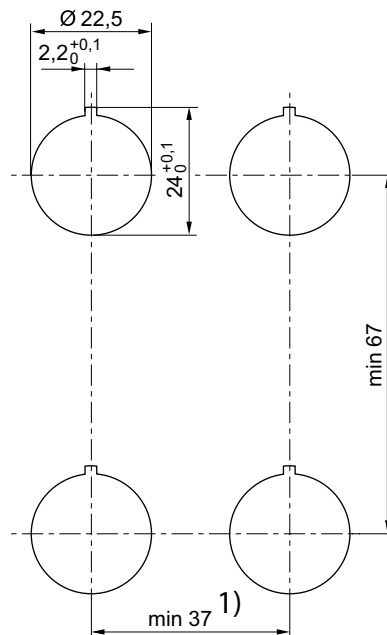
#### Dimensions, Fig. 6



00136372

1) cut-out in the front plate

#### Dimensions, cut-out in the front plate



00136536

1) For the mushroom buttons (R412012738, R412012739, R412012740) a minimum distance 41 mm must be ensured.