

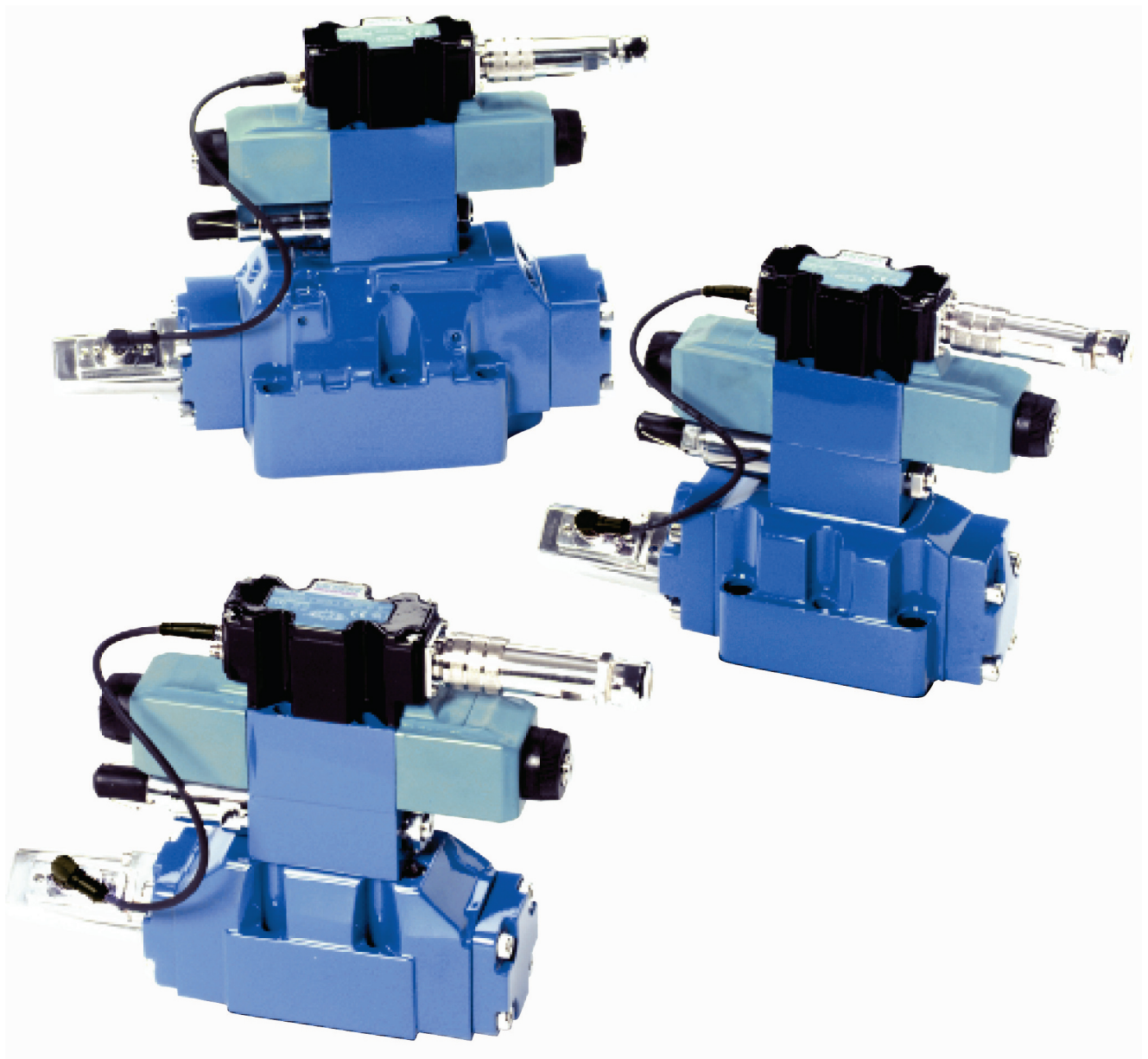
EATON

Vickers

**Proportional Two-Stage Directional Valves
High Performance with Main Stage Spool Feedback**

Pressures to 350 bar (5000 psi)

KBFDG5V-5/7/8/10 Series



Contents

Introduction	
General Description	3
Features and Benefits	3
Typical Section	3
Model Code	4
Spool Data	5
Functional Symbol	5
Operating Data	6
Pressures and Minimum Flow Rates	7
Performance Curves	
Power Capacity Envelope	8
Pressure Gain	8
Frequency Response	8
Flow Gain	9
Dimension KBFDG5V-5/7/8/10	11
Mounting Surface Interface KBFDG5V-5/7/8/10	13
Electrical Information	
Block Diagram	15
Typical Connection Arrangements	16
Application Data	
Fluid Cleanliness	17
Hydraulic Fluids	17
Installation	17
Mounting Bolt Kits	17
Seal Kits	17
Plugs	17
Extension Cable	17
Service Information	17
Released Assembly Numbers	18

Introduction

General Description

Vickers proportional valves shown in this catalog are suitable for working pressures up to 350 bar (5000 psi) and flow rates to 375 l/min (99 USgpm).

They are designed to provide a controlled oil flow in proportion to a command signal, with spool position feedback to provide accurate control.

KBFDG5V-5/7/8/10

A range of proportional directional valves with control amplifiers built directly on, and prewired to the valves. Factory-set adjustments of gain, spool deadband compensation, and offset ensure high valve-to-valve reproducibility.

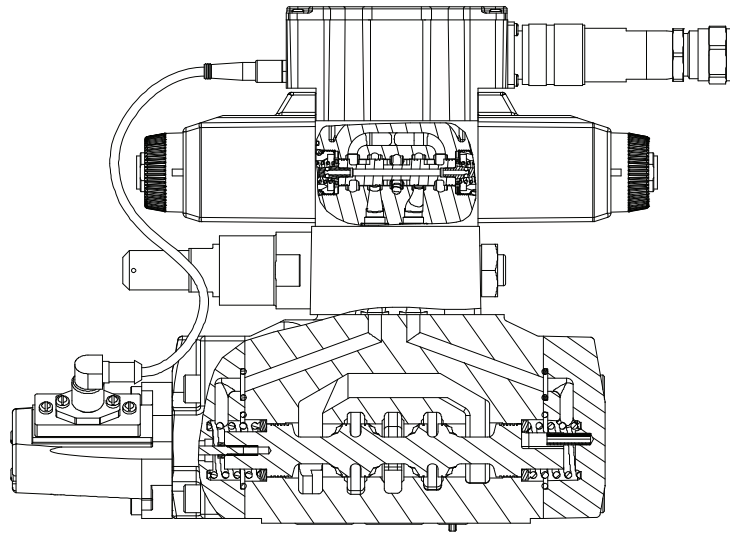
The only electrical inputs required are power supply (24V) and a voltage command signal of $\pm 10V$ or 4-20 mA. The amplifier is housed in a robust metal enclosure, sealed against ingress of water and other fluids. Electrical connections are via a standard 7-pin plug.

A spool position monitor point allows the function of the valve to be electrically monitored.

Features and Benefits

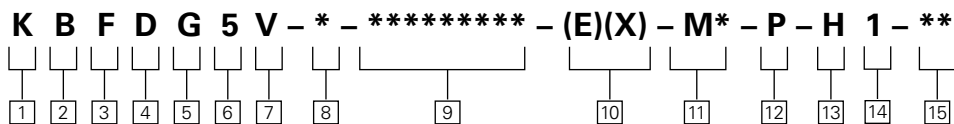
- Factory-sealed adjustments increase valve-to-valve reproducibility.
- Valve with integrated amplifier selected, ordered, delivered and installed as one performance-tested package.
- Electronic feedback LVDT ensures accurate spool position control.
- Vibration and shock tested.
- Standard 24V DC supply with wide tolerance band.
- Wide range of spool and flow rate options.
- Standard $\pm 10V$ DC or 4-20 mA command signals.
- Installation wiring reduced and simplified.
- Standard 7-pin connector.
- Simple valve removal and replacement for service.
- Supported by auxiliary function modules.
- Full CE electromagnetic compatibility.
- IP65 and IP67 environmental protection rating.
- Optional valve enable function.
- On board ramp adjustment.
- Failsafe feature.

Typical Section View



KBFDG5V-7, 10 design

Model Code



1 Valve type

K – Proportional valve

2 Integral amplifier

B – Integral amplifier “B” series

3 Feed back arrangement

F – From main stage

4 Control type

D – Directional valve

5 Mounting

G – Subplate mounted

6 Operation

5 – Solenoid controlled, pilot operated

7 Pressure rating

V – 310 bar (4500 psi) Size 05
 – 350 bar (5000 psi) Size 07
 – 350 bar (5000 psi) Size 08
 – 350 bar (5000 psi) Size 10

8 Interface

ISO 4401
5 – Size 05
7 – Size 07
8 – Size 08
10 – Size 10



WARNING

Valves with integral amplifiers are supplied with or without the metal 7-pin plug. The Vickers plug, part no. 934939, must be correctly fitted to ensure that the EMC rating and IP67 rating are achieved. The plug retaining nut must be tightened with a torque of 2-2.5 Nm (1.5-2.0 lbf ft) to effect a proper seal.

9 Spool type, flow rating and metering

See “Functional Symbol” on page 5. p = 5 bar (72 psi) per metering flow path, e.g. B to T.

Symmetric spools

For KBFDG5V-5 valves:

2C95N – 100 L/min (26 US gpm)

33C80N – 80 L/min (21 US gpm)

For KBFDG5V-7 valves:

2C200N – 200 L/min (52 US gpm)

33C160N – 160 L/min (42 US gpm)

For KBFDG5V-8 valves:

2C375N – 375 L/min (99 US gpm)

33C375N – 375 L/min (99 US gpm)

For KBFDG5V-10 valves:

2C700N – 700 L/min (185 US gpm)

33C700N – 700 L/min (185 US gpm)

Asymmetric spools

First figure (**N) is flow rating P-A, or A-T (“A” port flow); last figure (N**) is flow rating P-B, or B-T (“B” port flow)

For KBFDG5V-5 valves:

2C70N45 – 70 L/min (18.5 US gpm), “A” port flow
 45 L/min (11.9 US gpm), “B” port flow

33C60N40 – 60 L/min (17.2 US gpm), “A” port flow
 40 L/min (10.6 US gpm), “B” port flow

For KBFDG5V-7 valves:

2C150N85 – 150 L/min (40 US gpm), “A” port flow;
 85 L/min (22.4 US gpm), “B” port flow

2C80N150 – 80 L/min (21 US gpm), “A” port flow;
 150 L/min (40 US gpm), “B” port flow

33C130N65 – 130 L/min (33.3 US gpm), “A” port flow;
 65 L/min (17.2 US gpm), “B” port flow

For KBFDG5V-8 valves:

2C375N250 – 375 L/min (99 US gpm), “A” port flow;
 250 L/min (66 US gpm), “B” port flow

12C375N250 – 375 L/min (99 US gpm), “A” port flow;
 250 L/min (66 US gpm), “B” port flow

33C375N250 – 375 L/min (99 US gpm), “A” port flow;
 250 L/min (66 US gpm), “B” port flow

133C375N250 – 375 L/min (99 US gpm), “A” port flow;
 250 L/min (66 US gpm), “B” port flow

733C375N250 – 375 L/min (99 US gpm), “A” port flow;
 250 L/min (66 US gpm), “B” port flow

72C375N250 – 375 L/min (99 US gpm), “A” port flow;
 250 L/min (66 US gpm), “B” port flow

For KBFDG5V-10 valves:

2C700N420 – 700 L/min (185 US gpm), “A” port flow;
 420 L/min (110 US gpm), “B” port flow

33C700N420 – 700 L/min (185 US gpm), “A” port flow;
 420 L/min (110 US gpm), “B” port flow

12C700N420 – 700 L/min (185 US gpm), “A” port flow;
 420 L/min (110 US gpm), “B” port flow

133C700N420 – 700 L/min (185 US gpm), “A” port flow;
 420 L/min (110 US gpm), “B” port flow

72C700N420 – 700 L/min (185 US gpm), “A” port flow;
 420 L/min (110 US gpm), “B” port flow

733C700N420 – 700 L/min (185 US gpm), “A” port flow;
 420 L/min (110 US gpm), “B” port flow

For actual maximum flows refer to power capacity envelopes, page 8.

10 Pilot supply

X – Internal

EX – External

(Pilot drain - External ONLY)

11 Control signal

M1 – ±10V

M2 – 4-20mA

12 Electrical connection

PC7 – 7 pin connector without plug

PE7 – 7 pin connector with plug

PH7 – As PE7 but with pin “C” used for enable signal

PR7 – As PC7 but with pin “C” used for enable signal

13 Coil rating

H – 24 VDC amplifier supply

14 Pilot drain port

1 – 4 bar (58 psi)

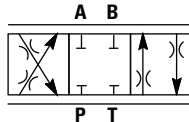
15 Design number

10 – 10 series

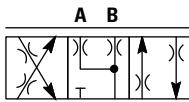
Spool Data

Spool Symbols

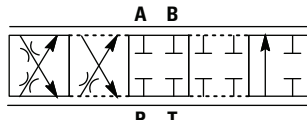
Available Spools for KBFDG5V



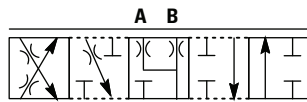
Spool type 2C



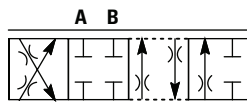
Spool type 33C



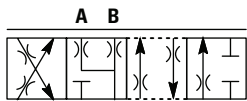
Spool type 12C



Spool type 133C



Spool type 72C



Spool type 733C

Spool Type and Flow Ratings

Symmetric Spools

Base line pressure drop $\Delta p = 5$ bar (72 psi) per metering flow path, e.g. B to T. For actual maximum flow refer to power capacity envelope curves.

Asymmetric Spools

Figure preceding metering type designator, "N" e.g. 2C**N) is flow rating P-A, or A-T ("A" port flow): Figure after "N" (N***) is flow rating P-B, or B-T ("B" port flow).

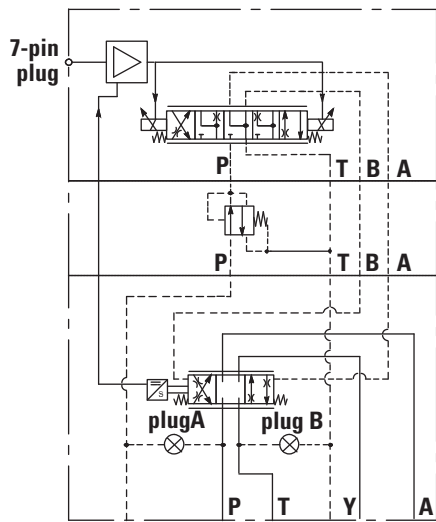
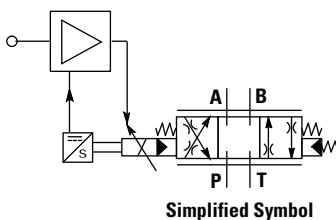
Spool code	Spool symbol	Flow rating
For KBFDG5V-5 valves:		
2C95N	2C	95 L/min (25 USgpm)
33C80N	33C	80 L/min (21 USgpm)
For KBFDG5V-7 valves:		
2C200N	2C	200 L/min (52 USgpm)
33C160N	33C	160 L/min (42 USgpm)
For KBFDG5V-8 valves:		
2C375N	2C	375 L/min (99 USgpm)
33C375N	33C	375 L/min (99 USgpm)
For KBFDG5V-10 valves:		
2C700N	2C	700 L/min (185 USgpm)
33C700N	33C	700 L/min (185 USgpm)

Spool code	Spool symbol	Flow rating
For KBFDG5V-5 valves:		
2C70N45	2C	70 L/min (18.5 USgpm) "A" port flow 45 L/min (11.9 USgpm) "B" port flow
33C60N40	33C	60 L/min (17.2 USgpm) "A" port flow 40 L/min (10.6 USgpm) "B" port flow
For KBFDG5V-7 valves:		
2C150N85	2C	150 L/min (40 USgpm) "A" port flow 85 L/min (22.4 USgpm) "B" port flow
2C80N150	2C	80 L/min (21 USgpm) "A" port flow 150 L/min (40 USgpm) "B" port flow
33C130N65	33C	130 L/min (33.3 USgpm) "A" port flow 65 L/min (17.2 USgpm) "B" port flow

For KBFDG5V-8 valves:		
2C375N250	2C	375 L/min (99 USgpm) "A" port flow 250 L/min (66 USgpm) "B" port flow
33C375N250	33C	375 L/min (99 USgpm) "A" port flow 250 L/min (66 USgpm) "B" port flow
12C375N250	12C	375 L/min (99 USgpm) "A" port flow 250 L/min (66 USgpm) "B" port flow
133C375N250	133C	375 L/min (99 USgpm) "A" port flow 250 L/min (66 USgpm) "B" port flow
72C375N250	72C	375 L/min (99 USgpm) "A" port flow 250 L/min (66 USgpm) "B" port flow
733C375N250	733C	375 L/min (99 USgpm) "A" port flow 250 L/min (66 USgpm) "B" port flow

For KBFDG5V-10 valves:		
2C700N420	2C	700 L/min (185 USgpm) "A" port flow 420 L/min (110 USgpm) "B" port flow
33C700N420	33C	700 L/min (185 USgpm) "A" port flow 420 L/min (110 USgpm) "B" port flow
12C700N420	12C	700 L/min (185 USgpm) "A" port flow 420 L/min (110 USgpm) "B" port flow
133C700N420	133C	700 L/min (185 USgpm) "A" port flow 420 L/min (110 USgpm) "B" port flow
72C700N420	72C	700 L/min (185 USgpm) "A" port flow 420 L/min (110 USgpm) "B" port flow
733C700N420	733C	700 L/min (185 USgpm) "A" port flow 420 L/min (110 USgpm) "B" port flow

Functional Symbol



Application Notes

A. Main-Spool Options

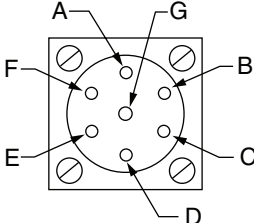
Spools shown are meter-in/meter-out types. Center-condition options are types 2, 33, 12, 133, 72 and 733.

B. Internally Piloted Models

Differ from detailed symbols above by omission of plug A and the blocking of port X by the mating surface.

Operating Data

Data is typical with fluid at 36 cSt (168 SUS) and 50 C (122 F).

Power supply	24V DC (21V to 36V including 10% peak-to-peak max. ripple) max current 3A			
Command signal	-10 V to +10 V DC or 4-20mA			
Input impedance	47 kΩ			
Common mode voltage to pin B	18V (max)			
Valve enable signal for model codes PH7 & PR7				
Enable	>8.5V (36V max)			
Disable	<6.5V			
Input impedance	10 kΩ			
7-pin plug connector		Pin	Description	
		A	Power supply positive	
		B	Power 0V	
		C	Monitor 0V (PE7 & PC7)	
		C	Valve enable (PH7 & PR7)	
		D	Command signal (+)-non-inverting input, or current input	
		E	Command signal (-)-inverting input, or current output	
		F	Monitor output	
		G	Protective ground	
View of pins of fixed half				
Electromagnetic compatibility (EMC):				
Emission (10 V/m)	EN 50081-2			
Immunity (10 V/m)	EN 50082-2			
Threshold command voltage (minimum voltage for minimum flow)	0.25V- 2C & 33C Spools			
Monitor signal (pin F)	±4.8 – ±9.5VDC (data for individual valve to be published in the catalogue later)			
Output impedance	10kΩ			
Power stage PWM frequency	10 kHz nominal			
Step input response, with flow through P-A-B-T, Δp=5 bar (72 psi) per metering path, e.g. P-A				
	Time to reach 90% of required step:			
	KBFDG5V-5	KBFDG5V-7	KBFDG5V-8	KBFDG5V-10
Required flow step (with reducing module):				
0 to 100%	47 ms	52 ms	84 ms	130 ms
100% to 0	30 ms	36 ms	58 ms	150 ms
+90 to -90%	46 ms	52 ms	88 ms	170 ms
Reproducibility, valve-to-valve (at factory settings):	≤5%			
Flow at 100% command signal				
Hysteresis with flow through P-A-B-T Δp=5 bar (72 psi) per metering path (P-A or B-T)	<1%			
Protection:				
Electrical	Reverse polarity protected			
Environmental	IEC 60529, Class IP67			
Ambient air temperature range for full performance	0° C to 70° C (32° F to 158° F)			
Oil temperature range for full performance	0° C to 70° C (32° F to 158° F)			
Minimum temperature at which valves will work at reduced performance	-20° C (-4° F)			
Storage temperature range	-25° C to +85° C (-13° F to +185° F)			
Relative duty factor	Continuous rating (ED = 100%)			
Auxiliary electronic modules (DIN -rail mounting):				
EHA-CON-201-A2* signal converter	See catalog GB 2410B			
EHD-DSG-201-A-1* command signal generator	See catalog GB 2470			
EHA-RMP-201-A-2* Ramp generator	See catalog GB 2410A			
EHA-PSU-201-A-10 Power supply	See catalog GB 2410A			
EHA-PID-201-A-20 PID controller	See catalog GB 2427			
Mass:				
Valves with pressure reducer				
KBFDG5V-5	9,9 kg (21.8 lb) approx.			
KBFDG5V-7	11,1 kg (24.4 lb) approx.			
KBFDG5V-8	17,1 kg (37.6 lb) approx.			
KBFDG5V-10	43,9 kg (96.5 lb) approx.			

Pressure and Minimum Flow Rates

MAXIMUM PRESSURES, BAR (PSI) VALVES WITH PRESSURE REDUCER

Model	Pilot pressure source †	Pilot drain connection	P Port	A&B Ports	T Port	X Port	Y Port
KBFDG5V-5	External	To Port Y	315 (4500)	315 (4500)	210 (3000)	315 (4500)	4 (58)
	Internal	To Port Y	315 (4500)	315 (4500)	21 (3000)	315 (4500)	4 (58)
KBFDG5V-7/8/10	External	To Port Y	350 (5000)	350 (5000)	350 (5000)	350 (5000)	4 (58)
	Internal	To Port Y	350 (5000)	350 (5000)	350 (5000)	350 (5000)	4 (58)

† Minimum recommended pilot operating pressure = 50 bar (700 psi)

MINIMUM RECOMMENDED FLOW RATES

Valve Size/Spool Code	Min. Flow Rate L/min	ln ³ /min
KBFDG5V-5-2C100N	0,5	30
KBFDG5V-5-33C80N	0,5	30
KBFDG5V-7-2C200N	1,0	60
KBFDG5V-7-33C160N	1,0	60
KBFDG5V-8-2C375N	1,5	91
KBFDG5V-8-33C375N	1,5	91
KBFDG5V-10-2C700N	3,0	182
KBFDG5V-10-33C700N	3,0	182

For spool types 2C and 33C
 $\Delta p = 10$ bar (142 psi) for
 looped flow P-A-B-T
 (or P-B-A-T)

Performance Curves

KBFDG5V-5/7/8/10

FLOW GAIN

At $\Delta p = 5$ bar (72 psi) per metering path (e.g. P-A), with flow through P-A-B-T or P-B-A-T. Percentage command signals applicable for positive and negative values of command signal.

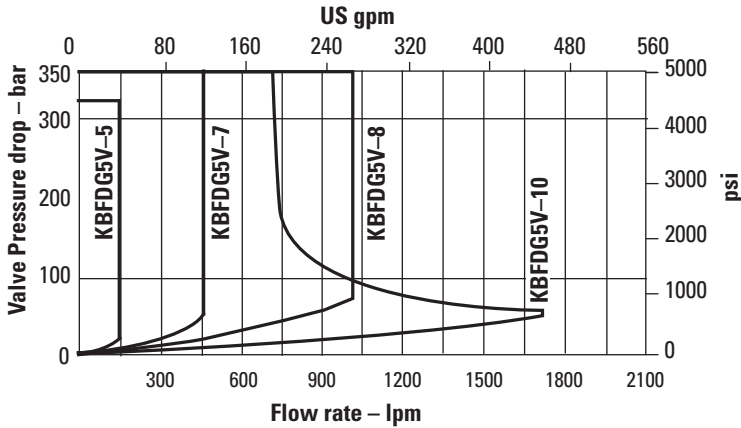
At other Δp values, flow rates approximate to: $Q_x = Q_D \sqrt{\frac{\Delta p_x}{\Delta p_D}}$
 where $Q_D =$ Datum flow rate

$\Delta p_D =$ Pressure drop at datum flow rate

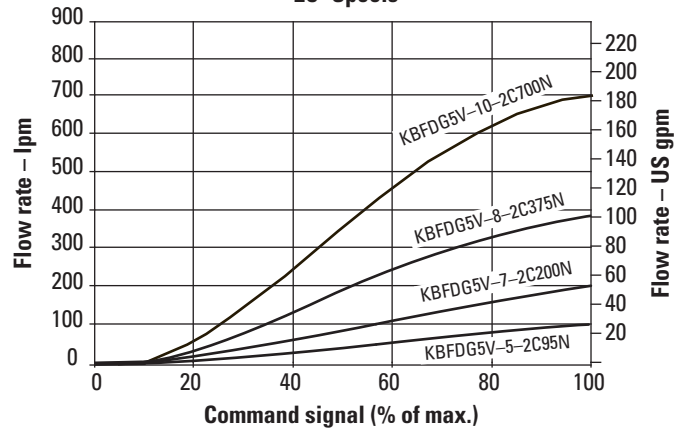
$\Delta p_x =$ Required Δp

Limited by valve power capacity. Refer to curves on page 8.

POWER CAPACITY ENVELOPE
 Flow through P-A-B-T or P-B-A-T

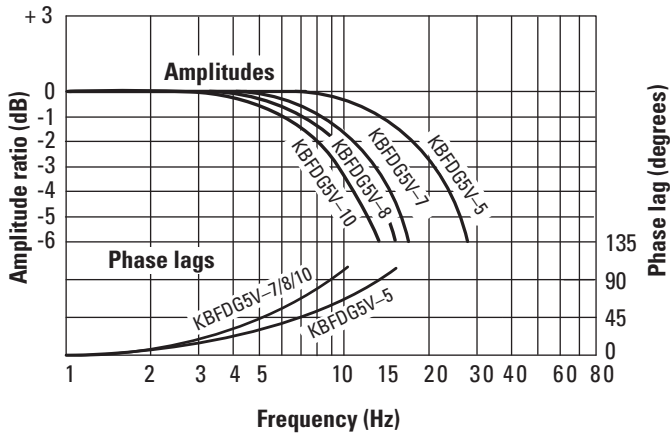


"2C" Spools

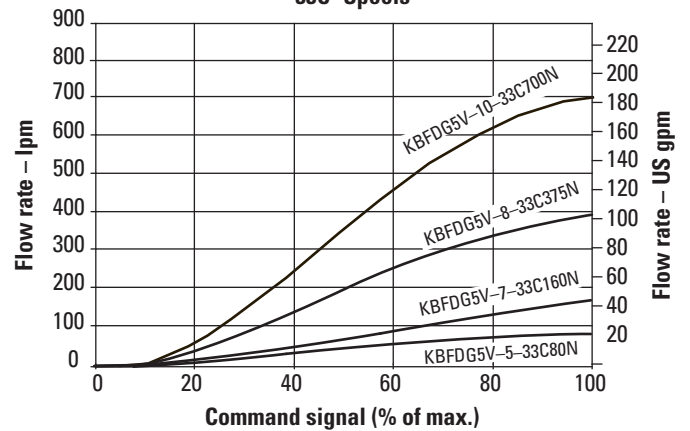


FREQUENCY RESPONSE, TYPICAL

For an amplitude of $50 \pm 25\%$ of rated flow (ISO-10770-1)
 2C spool measured at $\nu = 36$ cSt (168 SUS),
 $t = 50^\circ\text{C}$ (122°F) and pilot pressure = 40 bar



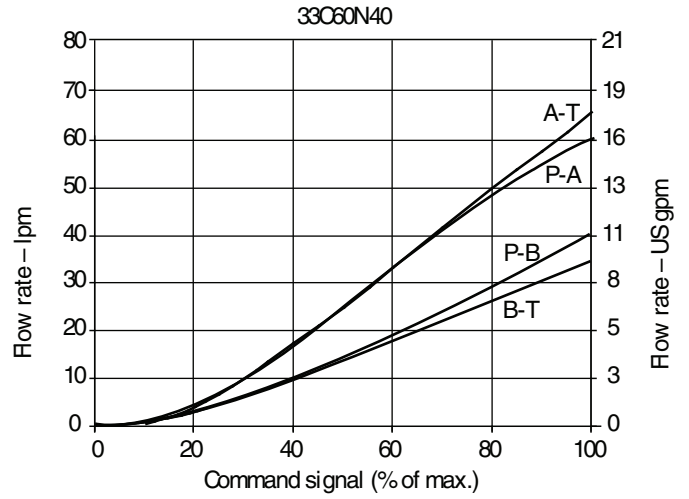
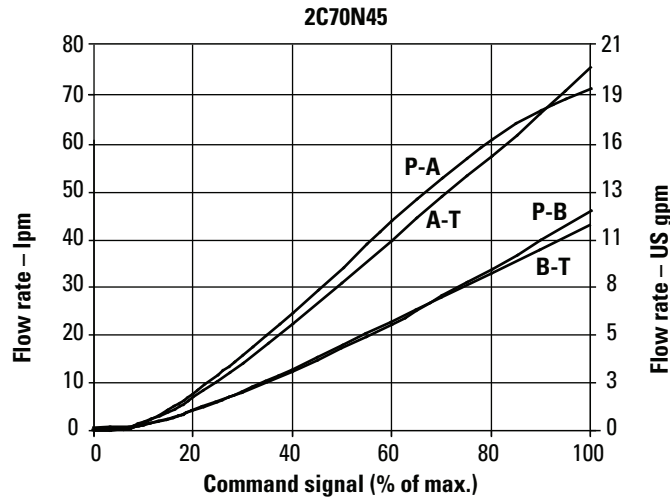
"33C" Spools



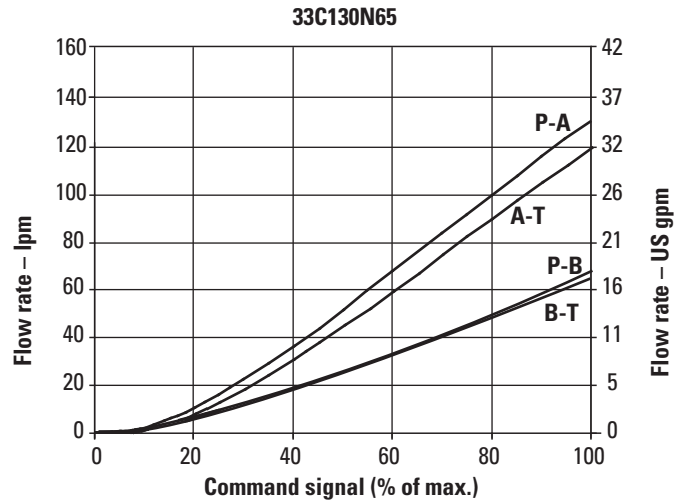
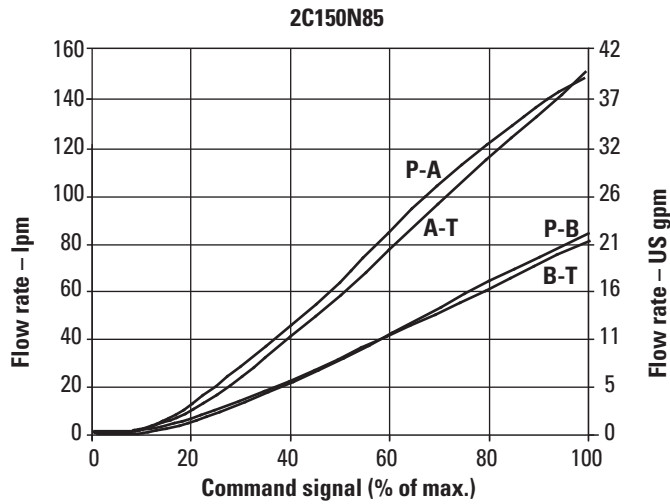
Performance Curves

Flow Gain

KBFDG5V-5



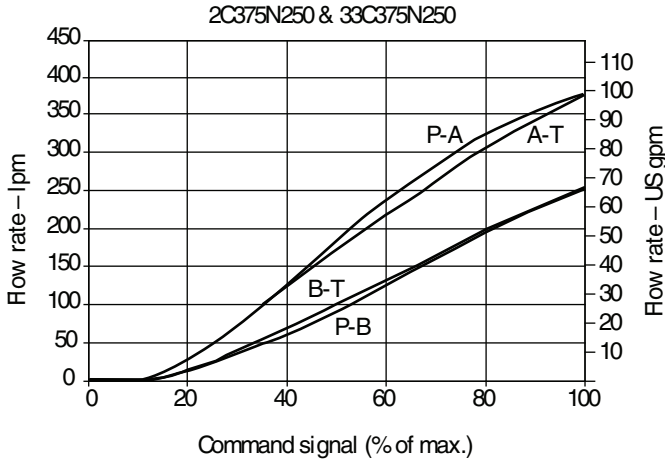
KBFDG5V-7



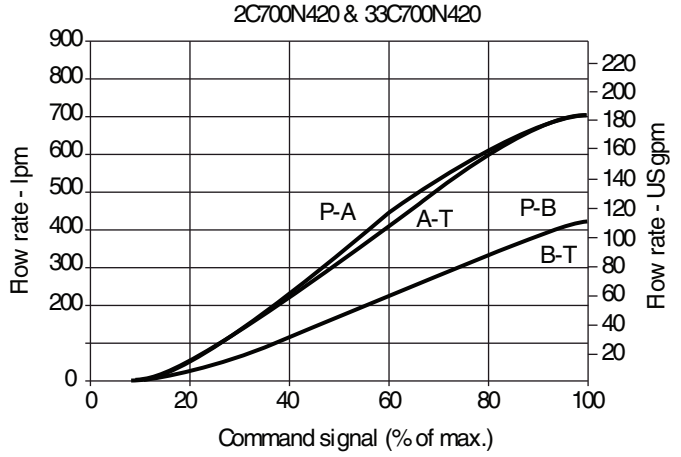
Performance Curves

KBFDG5V-8/10

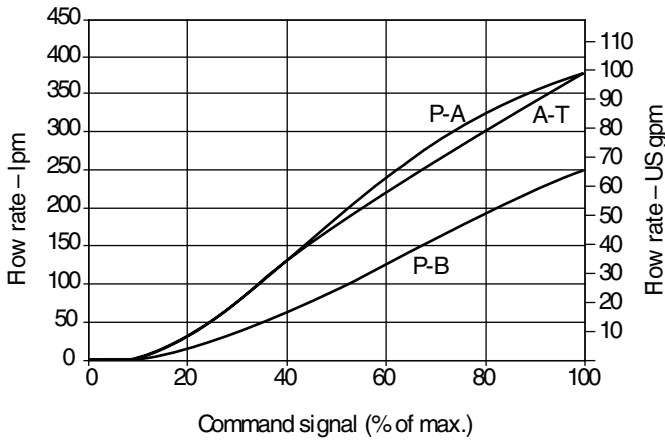
KBFDG5V-8



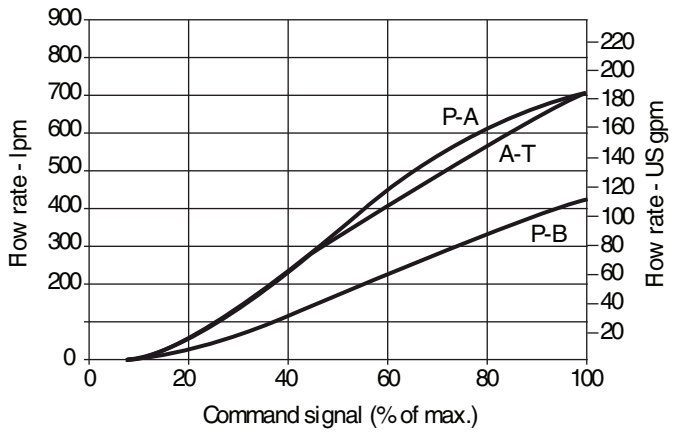
KBFDG5V-10



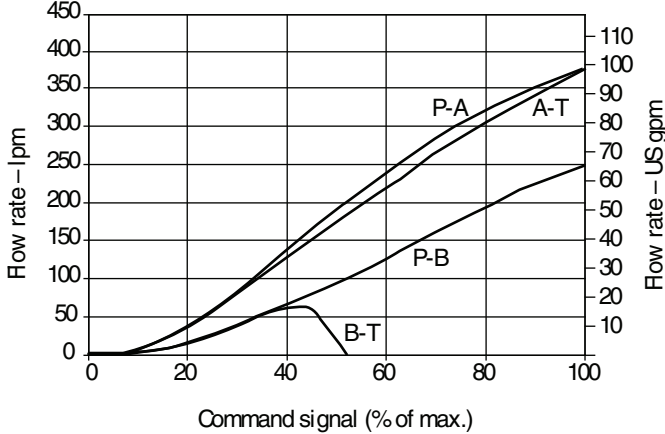
12C375N250 & 133C375N250



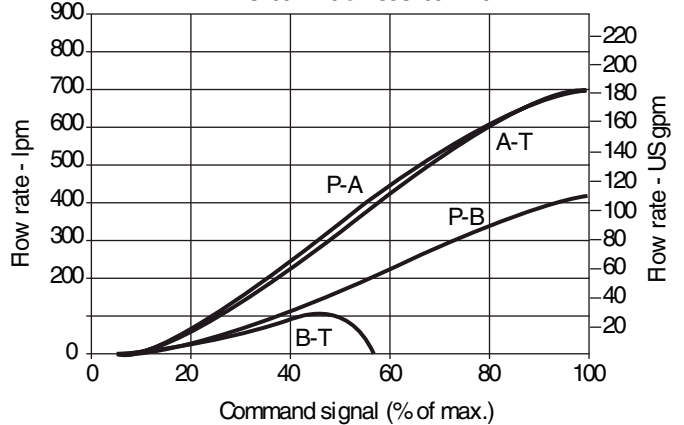
12C700N420 & 133C700N420



72C375N250 & 733C375N250



72C700N420 & 733C700N420



Installation Dimensions

KBFDG5V-5/7

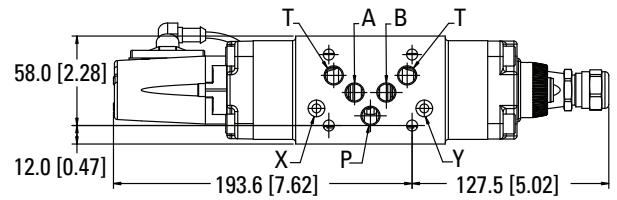
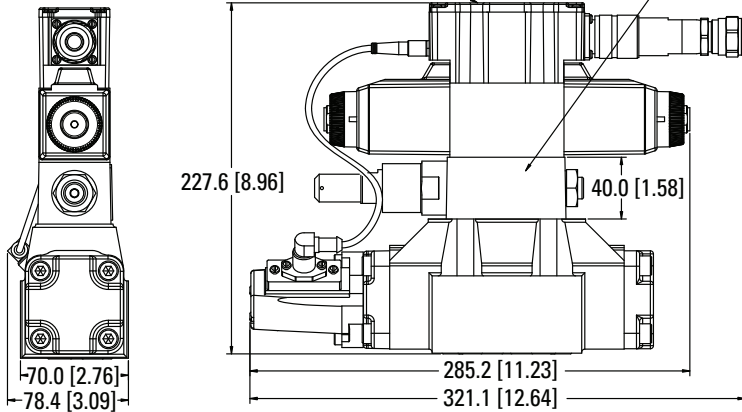
KBFDG5V-5

mm (Inch)

Valve with Pressure Reducer

Ramp adjustment switches located under lid.

Reducer



Mounting surface, seals supplied. For mating surface dimensions, see page 14 (size 05 with additional X and Y ports). For mounting subplate options and bolt options, see catalog GB-2425.

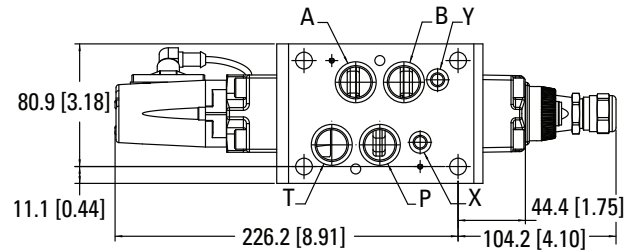
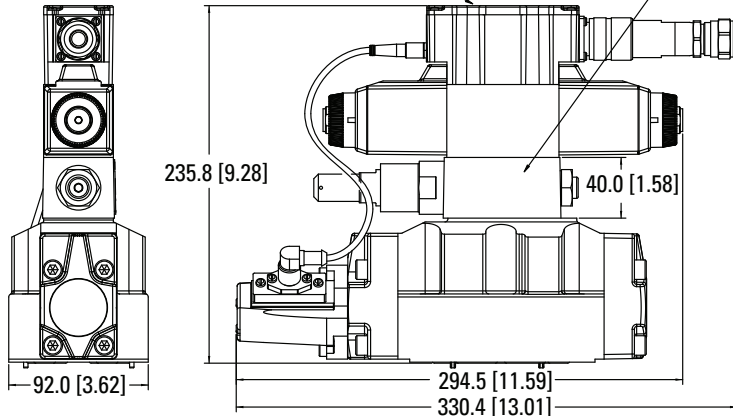
KBFDG5V-7

mm (Inch)

Valve with Pressure Reducer

Ramp adjustment switches located under lid.

Reducer



Mounting surface, seals supplied. For mating surface dimensions, see page 14. For mounting subplate options and bolt options, see catalog GB-2425.

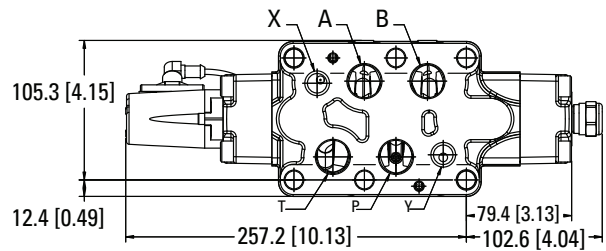
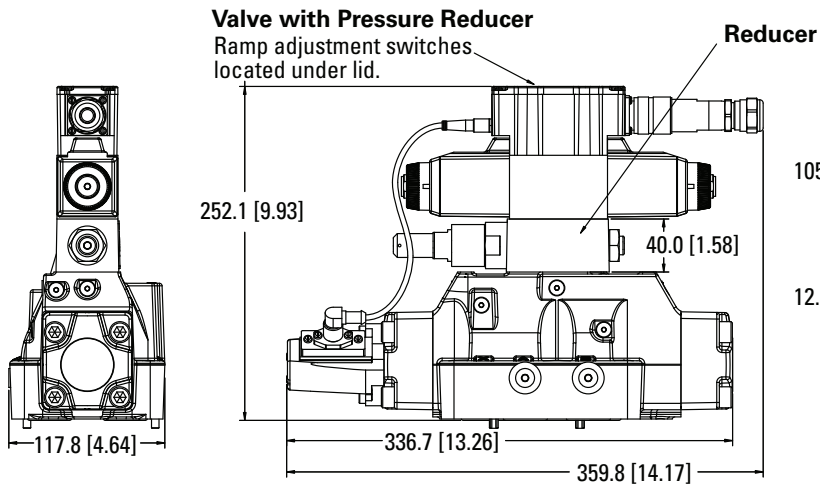
Installation Dimensions

KBFDG5V-8

KBFDG5V-8

mm (Inch)

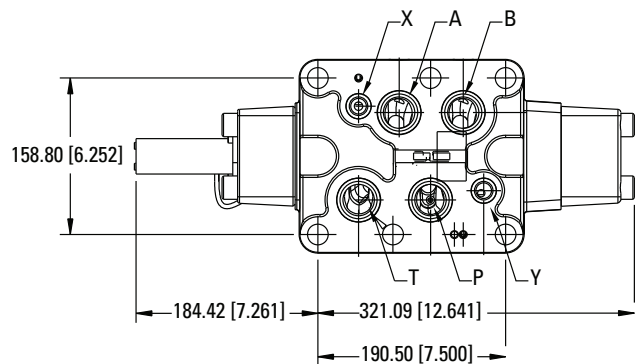
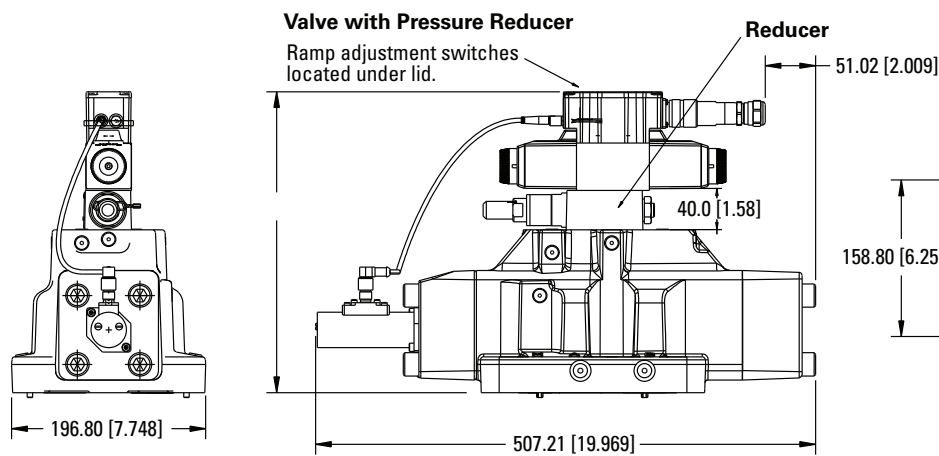
Mounting surface, seals supplied. For mating surface dimensions, see page 15. For mounting subplate options and bolt options, see catalog GB-2425.



KBFDG5V-10

mm (Inch)

Mounting surface, seals supplied. For mating surface dimensions, see page 15. For mounting subplate options and bolt options, see catalog GB-2425.



Mounting Surfaces

Dimensions shown in mm (in).

General Description

When a subplate is not used, a machined pad must be provided for valve mounting. Pad must be flat within 0,0127 mm (.0005 inch) and smooth within 1.6 mm (63 microinch). Mounting bolts, when provided by customer, should be ISO 898 class 12.9 or better. Bolt Kits See page 17.

Dimensional Tolerances

Dimensional tolerance on interface drawings is 0,2 mm (0.008") except where otherwise stated. ISO 4401 specifies inch conversion to 0.01".

Conversion from Metric

ISO 4401 gives dimensions in mm. Inch conversions are accurate to 0.01" unless otherwise stated.

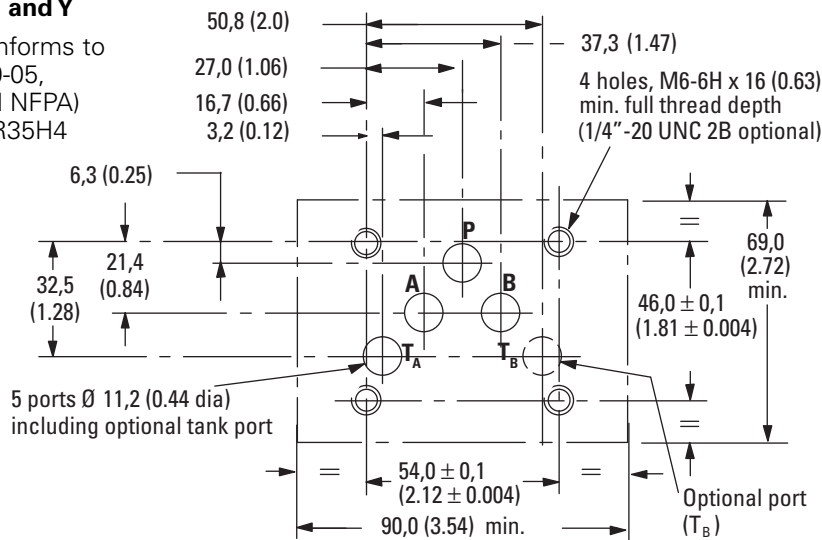
Mounting Bolt Tappings

ISO 4401 gives metric thread tappings. Alternate UNC tappings are Vickers recommendations that allow these

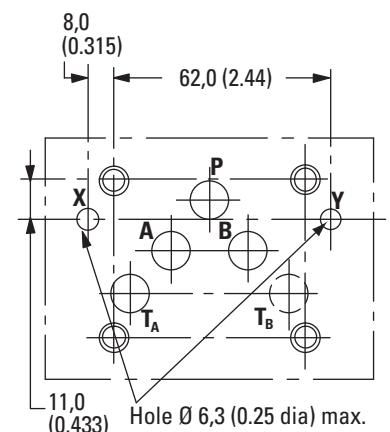
plates and associated valves to be used up to their maximum pressures, when using Vickers recommended bolt kits, or bolts of an equivalent strength. It is recommended that Customer's own manifold blocks for UNC bolts should be tapped to the minimum depths given in the footnotes.

ISO Standard Size 05 without Ports X and Y

This interface conforms to ISO 4401-05-04-0-05, NSI/B93.7M (and NFPA) size 05, CETOP R35H4 2-05, DIN 24340 Form A10.

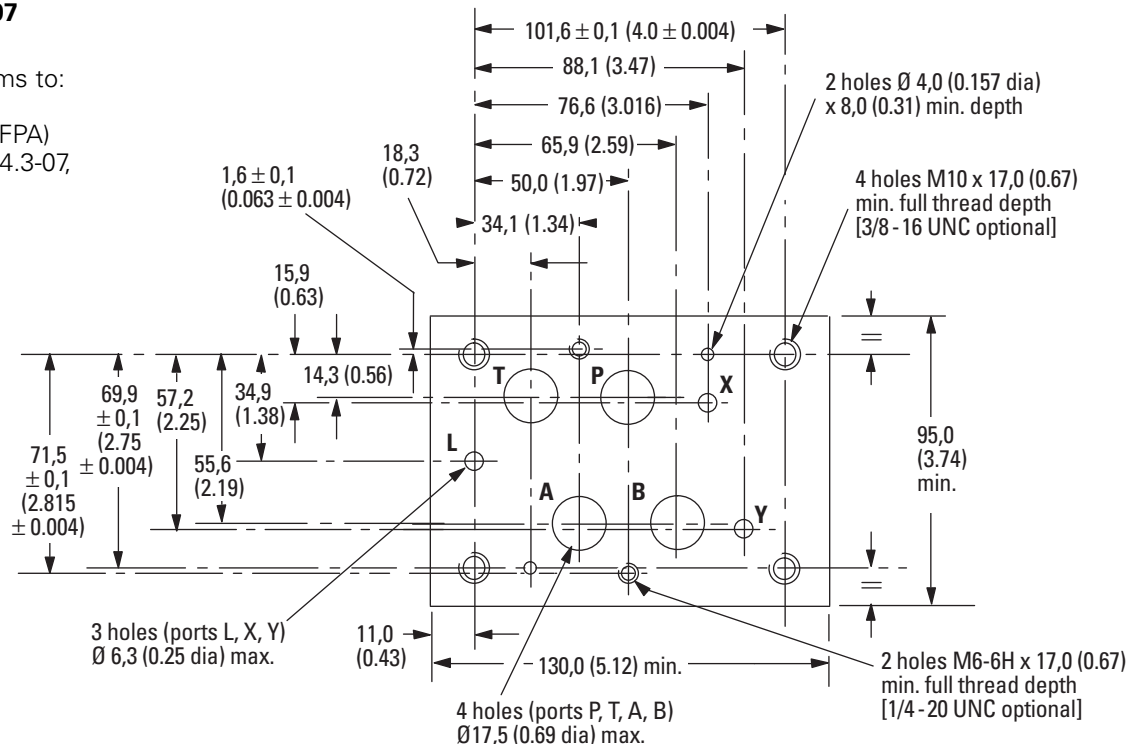


ISO Standard Size 05 with Ports X and Y



ISO Standard Size 07 Interface

This interface conforms to: ISO 4401-07-07-0-05, ANSI/B93.7M (and NFPA) size 07 CETOP R35H4.3-07, DIN 24340 Form A16

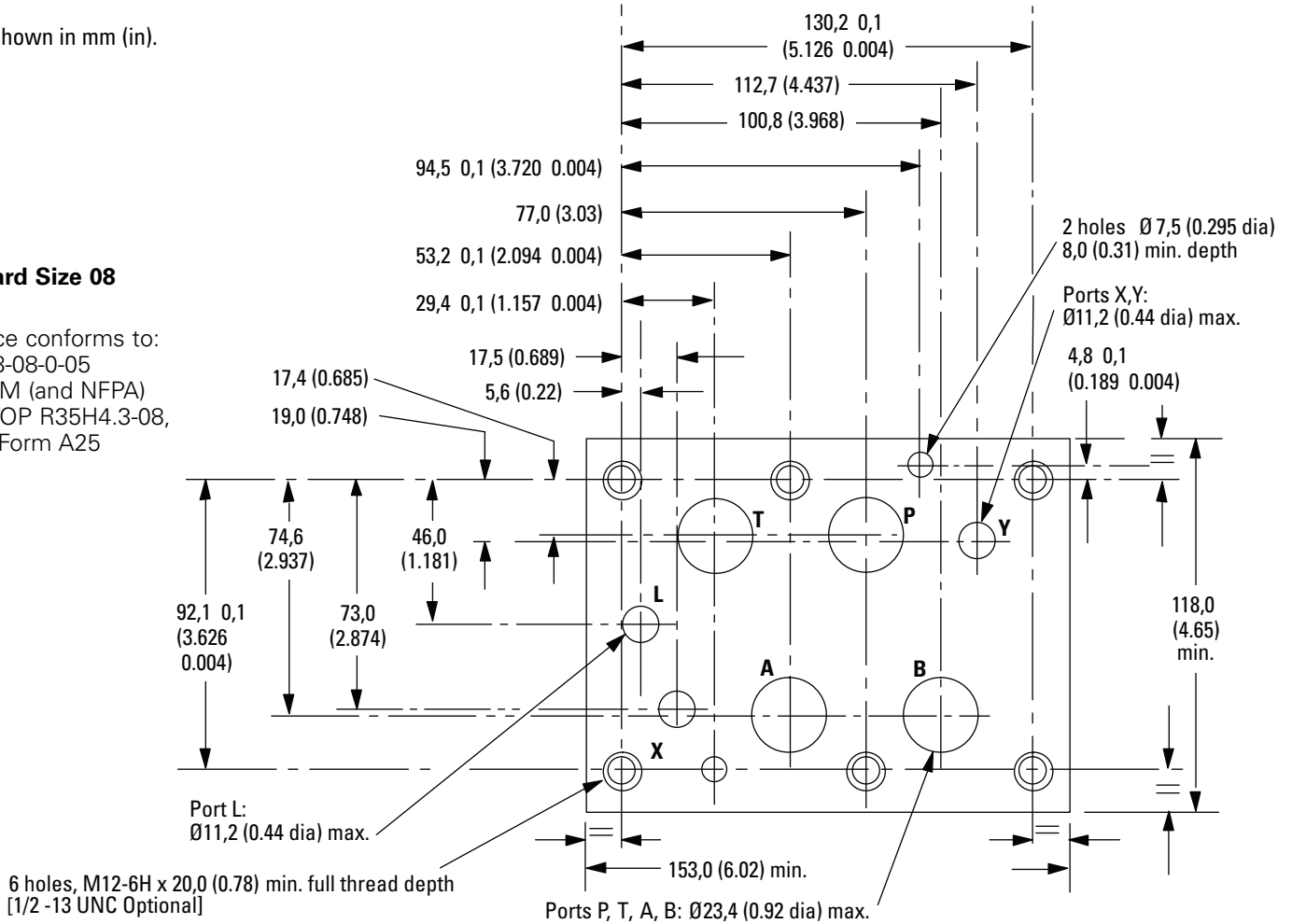


Mounting Surfaces

Dimensions shown in mm (in).

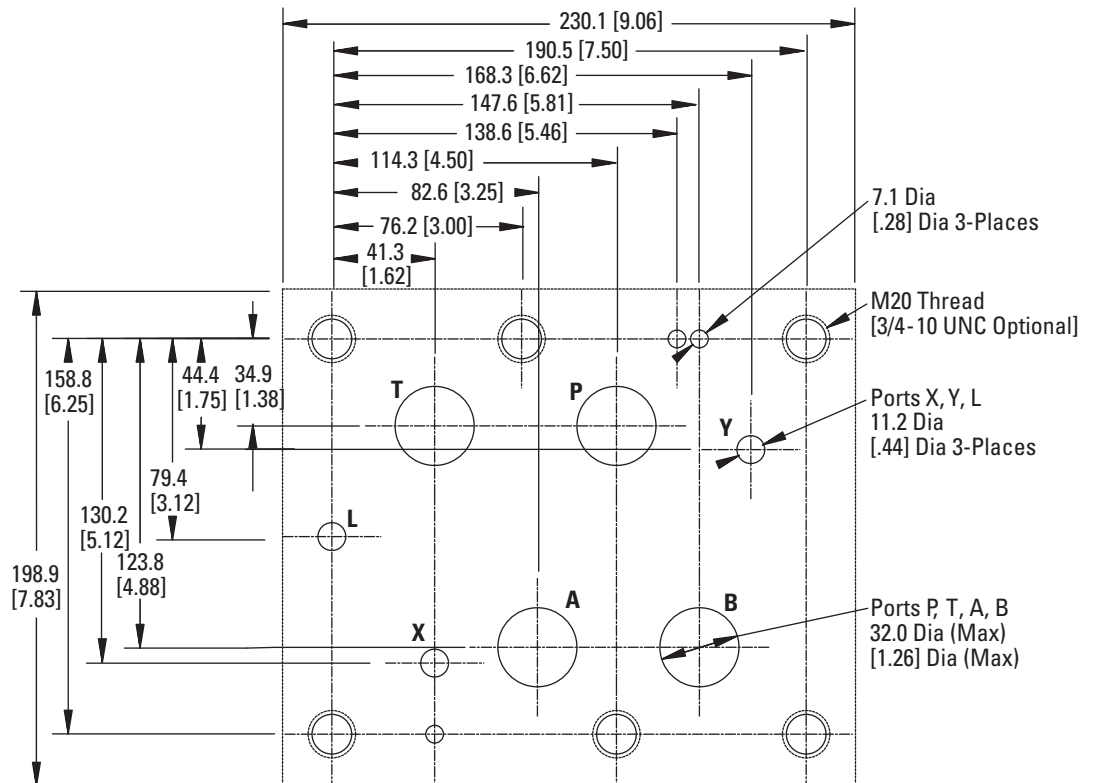
ISO Standard Size 08 Interface

This interface conforms to:
ISO 4401-08-08-0-05
ANSI/B93.7M (and NFPA)
size 08 CETOP R35H4.3-08,
DIN 24340 Form A25



ISO Standard Size 10 Interface

This interface conforms to:
ISO 4401-10-09-0-05
ANSI/B93.7M (and NFPA)
size 10, CETOP 35H4.3-10,
DIN 24340 Form A32

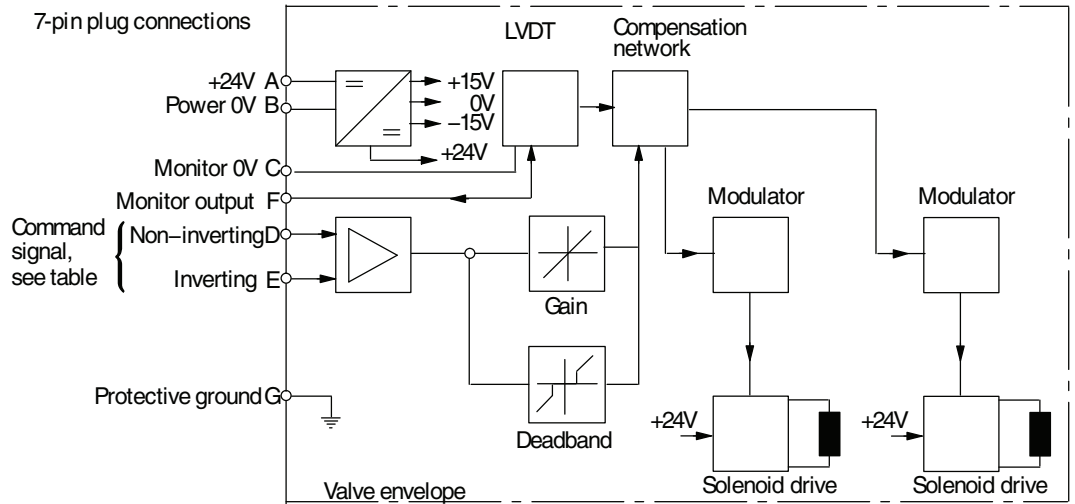


Electrical Information

Electrical Block Diagram

Wiring

Connections must be made via the 7-pin plug mounted on the amplifier. See page NO TAG of this leaflet and Installation and Start-up Guidelines, ML-B-9090A for cable recommendations.



▲ Note: In valves with PH7 or PR7 type electrical connection, pin C is used for a valve enable signal.

COMMAND SIGNALS AND OUTPUTS

7-pin plug		Flow direction
Pin D	Pin E	
Positive	0V	P to A
0V	Negative	
$U_D - U_E = \text{Positive}$		
Negative	0V	P to B
0V	Positive	
$U_D - U_E = \text{Negative}$		
Current from Pin D to E		
	4-12mA	P to B
	12-20mA	P to A



WARNING

All power must be switched off before connecting or disconnecting any plugs.

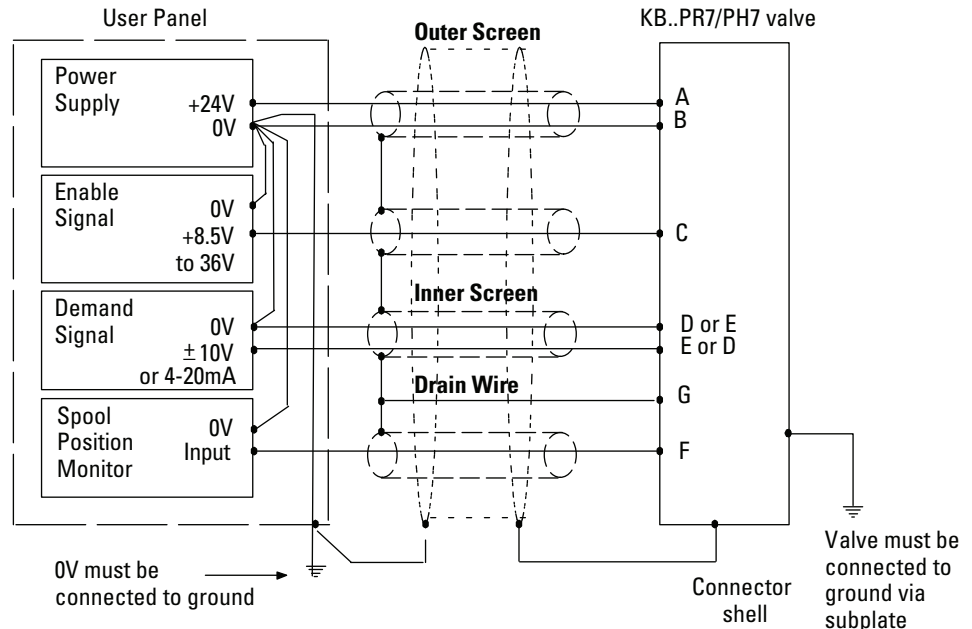
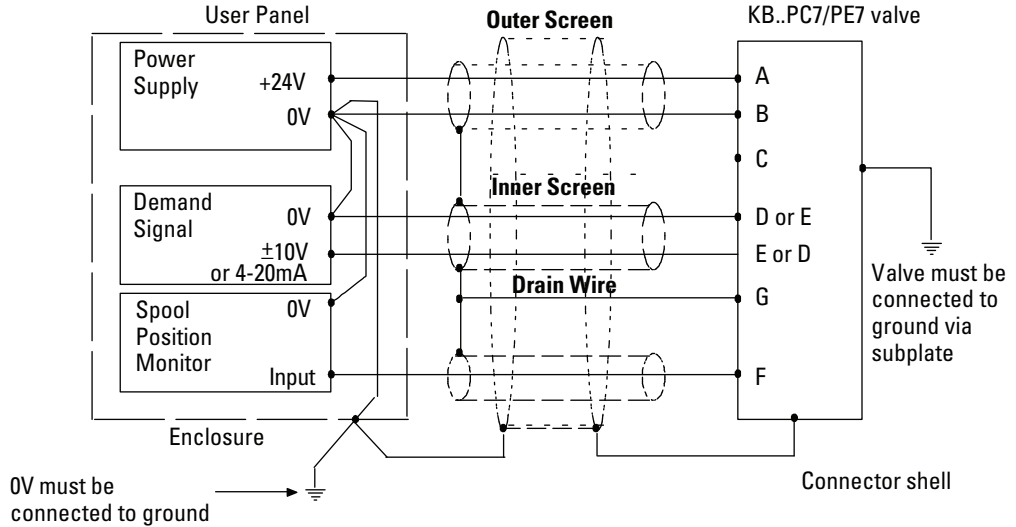
Electrical Information

Typical Connection Arrangements

Wiring Connections for Valves with Enable Feature

▲Note:

In applications where the valve must conform to European RFI/EMC regulations, the outer screen (shield) must be connected to the outer shell of the 7 pin connector, and the valve body must be fastened to the earth ground. Proper earth grounding practices must be observed in this case, as any differences in command source and valve ground potentials will result in a screen (shield) ground loop.



WARNING

Electromagnetic Compatibility (EMC)

It is necessary to ensure that the valve is wired up as above. For effective protection the user electrical cabinet, the valve subplate or manifold and the cable screens should be connected to efficient ground points.

The metal 7 pin connector part no. 934939 should be used for the integral amplifier. In all cases both valve and cable should be kept as far away as possible from any sources of electromagnetic radiation such as cables carrying heavy current, relays and certain kinds of portable radio transmitters, etc.

Difficult environments could mean that extra screening may be necessary to avoid the interference. It is important to connect the 0V lines as shown above. The multicore cable should have at least two screens to separate the demand signal and monitor output from the power lines. The enable line

to pin C should be outside the screen which contains the demand signal cables.

Application Data

Fluid Cleanliness

Proper fluid condition is essential for long and satisfactory life of hydraulic components and systems. Hydraulic fluid must have the correct balance of cleanliness, materials and additives for protection against wear of components, elevated viscosity and inclusion of air.

Recommendations on contamination control methods and the selection of products to control fluid condition are included in Vickers publication 9132 or 561, "Vickers Guide to Systemic Contamination Control." The book also includes information on the Vickers concept of "ProActive Maintenance." The following recommendations are based on ISO cleanliness levels at 2 µm, 5 µm and 15 µm

For products in this catalog the recommended levels are:

0 to 70 bar (1000 psi) – 18/16/13

70 + bar (1000 + psi) – 17/15/12

Vickers products, as any components, will operate with apparent satisfaction in fluids with higher cleanliness codes than those described. Other manufacturers will often recommend levels above those specified.

Experience has shown, however, that life of any hydraulic components is shortened in fluids with higher cleanliness codes than those listed above. These codes have been proven to provide a long trouble-free service life for the products shown, regardless of the manufacturer.

Hydraulic Fluids

Materials and seals used in these valves are compatible with antiwear hydraulic oils, and non-alkyl-based phosphate esters. The extreme operating viscosity range is 500 to 13cSt (2270 to 70 SUS) but the recommended running range is 54 to 13 cSt (245 to 70 SUS). For further technical information about fluids see "Technical Information" leaflet B-920 or I-286S.

Installation

The proportional valves in this catalog can be mounted in any attitude, but it may be necessary in certain demanding applications, to ensure that the solenoids are kept full of hydraulic fluid. Good installation practice dictates that the tank port and any drain port are piped so as to keep the valves full of fluid once the system start-up has been completed.

Mounting Bolt Kits

PILOT WITH REDUCER

metric	inch
BK464125M	BK870017

KBFDG5V-5 MAINSTAGE

metric	inch
BKDG01633M	BKDG01633

KBFDG5V-7 MAINSTAGE

metric	inch
BKDG7858918	BK590724

KBFDG5V-8 MAINSTAGE

metric	inch
BKDG8-655M	BKDG06-635

KBFDG5V-10 MAINSTAGE

metric	inch
BKDG10636M	BKDG10636

If not using Vickers recommended bolt kits, bolts used should be to ISO 898, 12.9 or better.

Seal Kits

PILOT INCLUDING M8 CAP

5986617-001

REDUCER

870739

KBFDG5V-5

Mainstage	Complete valve
565143	5986818-001

KBFDG5V-7

Mainstage	Complete valve
565144	5986819-001

KBFDG5V-8

Mainstage	Complete valve
5986821-001	5986820-001

KBFDG5V-10 MAINSTAGE

Mainstage	Complete valve
02-441686	02-441691

Electrical Connection

7-PIN CONNECTOR

metal	plastic
934939	694534

(metal connector must be used for full EMC protection)

▲Note:

An alternative metal connector which gives EMC protection but not IP67 rating is available from ITT-Cannon, part number CA06-COM-E-14S-A7-S.

Extension Cable

Extension Cable: Adapter for extending 7 core cable when changing from KA to KB valve and existing wiring is not long enough. Consists of a 7 pin plug, a 7 pin socket and a length of cable, fully assembled for ease of use Extension Cable 944450

Service Information

The products from this range are preset at the factory for optimum performance; disassembling critical items would destroy these settings. It is therefore recommended that should any mechanical or electronic repair be necessary they should be returned to the nearest Vickers repair center. The products will be refurbished as necessary and retested to specification before return.

Field repair is restricted to the replacement of the seals.

Released Model Codes

Size D05/NG10

ASSEMBLY NUMBER	MODEL CODE
02-412178	KBFDG5V-5-2C100N-EX-M1-C1-PE7-H1-10
02-412130	KBFDG5V-5-2C70N45-EX-M1-PE7-H1-10
02-359613	KBFDG5V-5-2C70N45-X-M1-PE7-H1-10
02-411449	KBHGD5V-5-2C100N-EX-PH7-H4-10
02-412113	KBFDG5V-5-2C70N45-X-M2-PC7-H1-10
02-412114	KBFDG5V-5-2C95N-EX-M1-PE7-H1-10
02-412116	KBFDG5V-5-2C95N-X-M1-PE7-H1-10
02-412154	KBFDG5V-5-2C95N-X-M2-PE7-H1-10
02-412138	KBFDG5V-5-33C60N40-EX-M1-PE7-H1-10
02-412142	KBFDG5V-5-33C60N40-X-M1-PE7-H1-10
02-412131	KBFDG5V-5-33C80N-EX-M1-PE7-H1-10
02-412171	KBFDG5V-5-33C80N-EX-M2-PE7-H1-10
02-412163	KBFDG5V-5-33C80N-EX-M2-PH7-H1-10
02-412164	KBFDG5V-5-33C80N-X-M1-PC7-H1-10
02-412115	KBFDG5V-5-33C80N-X-M1-PE7-H1-10
02-412160	KBFDG5V-5-33C80N-X-M2-PE7-H1-10

Size D08/NG25

ASSEMBLY NUMBER	MODEL CODE
02-412118	KBFDG5V-8-133C375N250-EX-M1-PC7-H1-10
02-412168	KBFDG5V-8-2C375N-EX-M1-PC7-H1-10
02-412137	KBFDG5V-8-2C375N-EX-M1-PE7-H1-10
04-412121	KBFDG5V-8-2C375N-X-M1-PE7-H1-10
02-412173	KBFDG5V-8-2C375N-X-M2-PC7-H1-10
02-412158	KBFDG5V-8-2C375N-X-M2-PE7-H1-10
02-412165	KBFDG5V-8-2C375N250-EX-M1-PC7-H1-10
02-412140	KBFDG5V-8-2C375N250-EX-M1-PE7-H1-10
02-412119	KBFDG5V-8-2C375N250-EX-M2-PC7-H1-10
02-412120	KBFDG5V-8-33C375N-EX-M1-PE7-H1-10
02-412136	KBFDG5V-8-33C375N-EX-M2-PE7-H1-10
02-412133	KBFDG5V-8-33C375N-X-M1-PE7-H1-10
02-412157	KBFDG5V-8-33C375N-X-M2-PE7-H1-10
02-412161	KBFDG5V-8-33C375N-X-M2-PH7-H1-10
02-412141	KBFDG5V-8-33C375N250-EX-M1-PE7-H1-10
02-412144	KBFDG5V-8-33C375N250-X-M1-PE7-H1-10

Size D07/NG25

ASSEMBLY NUMBER	MODEL CODE
02-412128	KBFDG5V-7-2C150N85-EX-M1-PE7-H1-10
02-412143	KBFDG5V-7-2C150N85-X-M1-PE7-H1-10
02-412124	KBFDG5V-7-2C150N85-X-M2-PC7-H1-10
02-412125	KBFDG5V-7-2C200N-EX-M1-PE7-H1-10
02-412152	KBFDG5V-7-2C200N-EX-M2-PE7-H1-10
02-412167	KBFDG5V-7-2C200N-X-M1-PC7-H1-10
02-412127	KBFDG5V-7-2C200N-X-M1-PE7-H1-10
02-412153	KBFDG5V-7-2C200N-X-M2-PE7-H1-10
02-412175	KBFDG5V-7-2C200N-X-M2-PH7-H1-10
02-412169	KBFDG5V-7-33C130N65-EX-M1-PC7-H1-10
02-412139	KBFDG5V-7-33C130N65-EX-M1-PE7-H1-10
02-412159	KBFDG5V-7-33C130N65-EX-M2-PE7-H1-10
02-412170	KBFDG5V-7-33C130N65-X-M1-PC7-H1-10
02-412151	KBFDG5V-7-33C130N65-X-M1-PE7-H1-10
02-412166	KBFDG5V-7-33C160N-EX-M1-PC7-H1-10
02-412132	KBFDG5V-7-33C160N-EX-M1-PE7-H1-10
02-412156	KBFDG5V-7-33C160N-EX-M2-PE7-H1-10
02-412162	KBFDG5V-7-33C160N-EX-M2-PH7-H1-10
02-412126	KBFDG5V-7-33C160N-X-M1-PE7-H1-10
02-412155	KBFDG5V-7-33C160N-X-M2-PE7-H1-10

Size D10/NG32

ASSEMBLY NUMBER	MODEL CODE
5992990-001	KBFDG5V-10-2C700N-EX-M1-PC7-H1-10
5992991-002	KBFDG5V-10-33700N-EX-M1-PC7-H1-10
5992992-002	KBFDG5V-10-2C700N420-X-M1-PC7-H1-10
5992993-002	KBFDG5V-10-33C700N420-X-M1-PC7-H1-10
5992994-002	KBFDG5V-10-12C700N420-X-M2-PC7-H1-10
5992995-002	KBFDG5V-10-133C700N420-X-M2-PC7-H1-10
5992996-002	KBFDG5V-10-72C700N420-EX-M1-PE7-H1-10
5992997-002	KBFDG5V-10-733C700N420-EX-M1-PE7-H1-10
02-412483	KBFDG5V-10-2C700N420-EX-M1-PE7-H1-10
02-412484	KBFDG5V-10-33C700N420-EX-M1-PE7-H1-10

Eaton
Hydraulics Operations USA
14615 Lone Oak Road
Eden Prairie, MN 55344
USA
Tel: 952-937-9800
Fax: 952-294-7722
www.eaton.com/hydraulics

Eaton
Hydraulics Operations Europe
Route de la Longeraie 7
1110 Morges
Switzerland
Tel: +41 (0) 21 811 4600
Fax: +41 (0) 21 811 4601

Eaton
Hydraulics Operations Asia Pacific
11th Floor Hong Kong New World Tower
300 Huaihai Zhong Road
Shanghai 200021
China
Tel: 86-21-6387-9988
Fax: 86-21-6335-3912



©2010 Eaton Corporation
All Rights Reserved
Printed in USA
Document No. V-VLDI-MC003-E2
Supersedes V-VLDI-MC003-E1
February 2010