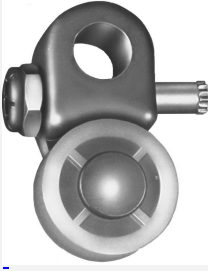


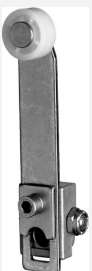
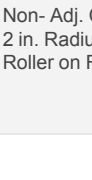

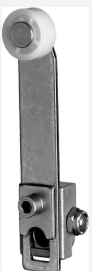




## Operating Levers


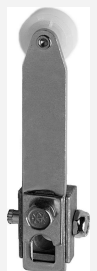


For use with 802M, 802MC, 802R, 802T, 802X, and 802XR







## Roller Levers

Type	Roller Material	Roller Diameter [mm (in.)]	Roller Width [mm (in.)]	Cat. No.
 Non- Adj. Cast Lever 0.75 in. Radius	Metal	19.05 (0.75)	6.86 (0.27)	802T- W9A
	Nylon	19 (0.75)	7.11 (0.28)	802T- W1
 Non- Adj. Cast Lever 1.5 in. Radius Roller on Front		19 (0.75)	25.4 (1.0)	802T- W1H
	Dual nylon	19.05 (0.75)	25.4 (1) each	802T- W1HH
	Steel	19 (0.75)	6.35 (0.25)	802T- W1A
		19.05 (0.75)	19.05 (0.75)	802T- W1N
	Ball bearing	19 (0.75)	5.84 (0.23)	802T- W1B
 Non- Adj. Cast Lever 1.5 in. Radius Roller on Front	Beryllium copper (non- sparking)	19.05 (0.75)	7.11 (0.28)	802T- W1J
	Nylon	19.05 (0.75)	19.05 (0.75)	802T- W1L
	Nylon	19.05 (0.75)	7.11 (0.28)	802T- W1E
 Non- Adj. Cast Lever 1.5 in. Radius Roller on Rear			25.4 (1)	802T- W1D
		38.1 (1.5)	7.11 (0.28)	802T- W1G
	Steel	19.05 (0.75)	6.35 (0.25)	802T- W1F
			19.05 (0.75)	802T- W1C
 Non- Adj. Cast Lever 2 in. Radius Roller on Front	Nylon	19.05 (0.75)	19.05 (0.75)	802T- W1M
			25.4 (1)	802T- W20D
	Steel		6.35 (0.25)	802T- W20A
			19.05 (0.75)	802T- W20B
	Ball bearing		5.84 (0.23)	802T- W20C
	Beryllium copper		7.11 (0.28)	802T- W20E

 Non- Adj. Cast Lever 2 in. Radius Roller on Rear	Nylon	19.05 (0.75)	7.11 (0.28)	802T- W20J
			25.4 (1)	802T- W20K
	Steel		6.35 (0.25)	802T- W20L
			19.05 (0.75)	802T- W20M
	Ball bearing		5.84(0.23)	802T- W20N
	Beryllium copper		7.11 (0.28)	802T- W20P
 Non- Adj. Cast Lever 2-1/8 in. Radius Roller on Front	Nylon	19.05 (0.75)	19.05 (0.75)	802T- W18
			25.4 (1)	802T- W18A

Type	Roller Material	Roller Diameter [mm (in.)]	Roller Width [mm (in.)]	Cat. No.	
 Non- Adj. Steel Lever 2.5 in. Radius Roller on Front	Nylon	19.05 (0.75)	7.11 (0.28)	802T- W25	
			25.4 (1)	802T- W25D	
			Steel	6.35 (0.25)	802T- W25A
				19.05 (0.75)	802T- W25B
			Ball bearing	5.84 (0.23)	802T- W25C
	Beryllium copper		7.11 (0.28)	802T- W25E	
 Non- Adj. Steel Lever 2.5 in. Radius Roller on Rear	Nylon	19.05 (0.75)	7.11 (0.28)	802T- W25J	
			25.4 (1)	802T- W25K	
			Steel	6.35 (0.25)	802T- W25L
				19.05 (0.75)	802T- W25M
			Ball bearing	5.84 (0.23)	802T- W25N
	Beryllium copper		7.11 (0.28)	802T- W25P	

 Non-Adj. Steel Lever 3 in. Radius Roller on Front	Nylon	19.05 (0.75)	7.11 (0.28)	802T- W30
			25.4 (1)	802T- W30D
	Steel		6.35 (0.25)	802T- W30A
			19.05 (0.75)	802T- W30B
	Beryllium copper		5.84 (0.23)	802T- W30C
 Non-Adj. Steel Lever 3 in. Radius Roller on Rear	Nylon	19.05 (0.75)	7.11 (0.28)	802T- W30J
			25.4 (1)	802T- W30K
	Steel		6.35 (0.25)	802T- W30L
			19.05 (0.75)	802T- W30M
	Ball bearing		5.84 (0.23)	802T- W30N
	Beryllium copper		7.11 (0.28)	802T- W30P
 Adjustable Lever 1.19... 3 in. Radius	Nylon	19.05 (0.75)	7.11 (0.28)	802T- W2
			25.4 (1)	802T- W2D
		38.1 (1.5)	7.11 (0.28)	802T- W2A
	Steel	19.05 (0.75)	6.35 (0.25)	802T- W2B
	Ball bearing		5.8 (0.23)	802T- W2C
Adjustable Lever 1.19... 3 in. Radius	Steel	35.56 (1.4)	6.86 (0.27)	802T- W2E
	Rubber	38.1 (1.5)	12.7 (0.5)	802T- W2R
 Adjustable Lever 1.19... 3 in. Radius	Nylon	19.05 (0.75)	7.11 (0.28)	802T- W17
				802T- W17B
	Metal			802T- W17A
Adjustable Lever 1.19... 3 in. Radius	Nylon	38.1 (1.5)		





Type	Roller Material	Roller Diameter [mm (in.)]	Roller Width [mm (in.)]	Cat. No.	
 <p>Fork Lever 1.5 in. Radius</p>	Nylon; L.H. roller on front; R.H. roller on back	19.05 (0.75)	7.11 (0.28)	802T- W4	
	Steel; L.H. roller on front; R.H. roller on back		6.35 (0.25)	802T- W4B	
	Nylon; Both rollers on front		7.11 (0.28)	802T- W4A	
	Nylon; Both rollers on rear		7.11 (0.28)	802T- NX115	
	Nylon; Both rollers on front		25.4 (1)	802T- W4F	
 <p>Micrometer Adjustment Lever§ 1.5 in. Radius</p>	Steel; both rollers on front	19.05 (0.75)	6.35 (0.25)	802T- W4C	
	Nylon; L.H. roller on back; R.H. roller on front		7.11 (0.28)	802T- W4D	
 <p>Adjustable Lever 1.5 in. Radius</p>	Nylon R.H. adjustable	19.05 (0.75)	7.11 (0.28)	802T- W6	
	Steel R.H. adjustable		6.35 (0.25)	802T- W6A	
	Ball bearing R.H. Adj.		5.84 (0.23)	802T- W6B	
	Nylon L.H. Adj.		7.11 (0.28)	802T- W6C	
	Steel L.H. Adj.		6.35 (0.25)	802T- W6D	
 <p>Micrometer Adjustment Lever§ 1.5 in. Radius</p>	Ball bearing L.H. Adj.	19.05 (0.75)	5.84 (0.23)	802T- W6E	
	Nylon R.H. Adj.		25.4 (1)	802T- W6F	
 <p>Non- Adj. One- way Lever 1.5 in. Radius</p>	Nylon	19.05 (0.75)	7.11 (0.28)	802T- W7	
	Steel		6.35 (0.25)	802T- W7A	
 <p>Non- Adj. Offset Lever 1.44 in. Radius Roller on Front</p>	Ball bearing	19.05 (0.75)	5.84 (0.23)	802T- W7B	
	Nylon		7.11 (0.28)	□	802T- W12
	Steel		6.35 (0.25)	□	802T- W12A
<p>Non- Adj. Offset Lever 1.44 in. Radius Roller on Rear</p>	Ball bearing	19.05 (0.75)	5.84 (0.23)	802T- W12B	
	Nylon		7.11 (0.28)		802T- W12E
<p>Non- Adj. Offset Lever 1.44 in. Radius Roller on Rear</p>	Steel	19.05 (0.75)	6.35 (0.25)	802T- W12F	

Do not use on maintained contact limit switches.

□ When mounted on plug- in devices, the offset lever provides equivalent cam tracking to the nonplug- in devices using Cat. No. 802T- W1 levers.


§ The micrometer adjustment roller lever is designed especially for installations where the position of the roller is a critical factor. This lever has a pivoted roller which can be turned laterally. After clamping the lever to the switch shaft, the position of the roller can be precisely adjusted through an arc of 7.5° on either side of the center or straight- line position.

### Roller Levers — Corrosion- Resistant

Type	Short Description	Roller Diameter [mm (in.)]	Roller Width [mm (in.)]	Cat. No.
 1.5 in. Radius Roller on Front	Type 316 stainless steel roller, roller pin and clamp pin One- piece cast aluminum arm is protected with TUFGRAM®	19 (0.75)	6.35 (0.25)	802MC- W1A
 1.5 in. Radius Roller on Rear	Nylon roller One- piece cast aluminum arm is protected with TUFGRAM®	38.1 (1.5)	7.11 (0.28)	802MC- W1G
 Non- Adj. Offset Lever 1.44 in. Radius Roller on Front	Nylon roller One- piece cast aluminum arm is protected with TUFGRAM®	19.05 (0.75)	7.11 (0.28)	802MC- W12
 Adjustable Lever 1.19... 3 in. Radius	Type 316 stainless steel roller, roller pin, clamp pin and adjustable lever arm Block is cast aluminum protected with TUFGRAM®	19 (0.75)	6.35 (0.25)	802MC- W2B

TUFGRAM is a synergistic coating which combines the advantages of anodizing with a controlled infusion of PTFE for added corrosion resistance.

### Rod Levers

Type	Material	Rod Length [mm (in.)]	Rod Diameter [mm (in.)]	Cat. No.
	Stainless steel rod	127 (5)	3.3 (0.13)	802T- W3
		216 (8.5)		802T- W3B
		304.8 (12)		802T- NX50
	Stainless steel rod	292.1 (11.5)	3.3 (0.13)	802T- W3A
			2 (0.08)	□ 802T- W3F
		355.6 (14)	3.3 (0.13)	802T- NX159
	Nylon rod	304.8 (12)	6.4 (0.25)	802T- W3C
				§ 802T- NX142
	Stainless steel rod	127 (5)	1.5 (0.06)	802T- W5
		127 (5) one- way		802T- W8
	Nylatron looped rod	152.4 (6) long, 50.8 (2) wide loop	4.6 (0.18)	802T- W14

		228.6 (9) long, 50.8 (2) wide loop		802T- NX119
	Steel rod	228.6 (9)	6.4 (0.25)	802T- W16
	Nylon rod			802T- W16A

Recommended for use with low operating torque switches.

□ Not for use with Cat. No. 802M- NPY5 or Cat. No. 802M- ASY5 type switches.

§ Recommended for high impact applications.

Do not use on maintained contact limit switches.

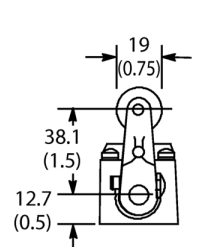
**Rod Levers — Corrosion- Resistant**

Type	Short Description	Rod Length [mm (in.)]	Rod Diameter [mm (in.)]	Cat. No.
	Type 316 stainless steel rod Block is cast aluminum protected with TUFRAM®	127 (5)	3.3 (0.13)	802MC- W3
	Type 316 stainless steel rod Block is cast aluminum protected with TUFRAM®	292.1 (11.5)	2.03 (0.08)	802MC- W3A
	Nylon Rod Block is cast aluminum protected with TUFRAM®	304.8 (12)	6.35 (0.25)	802MC- W3C

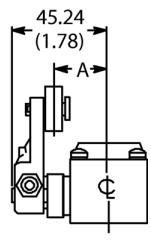
	Nylon Rod Only	—	6.35 (0.25)	WF25507
---	----------------	---	-------------	---------

TUFRAM is a synergistic coating which combines the advantages of anodizing with a controlled infusion of PTFE for added corrosion resistance.

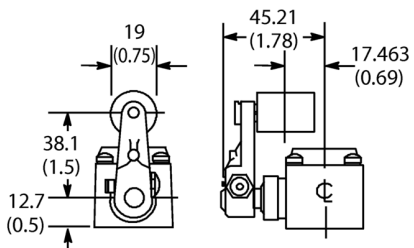
Dimensions are shown in mm (in.). Dimensions are not intended to be used for installation purposes.



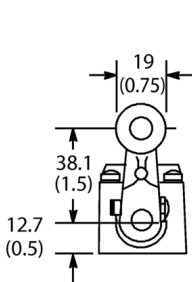
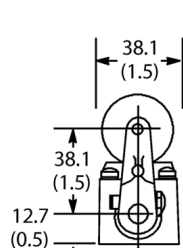
Cat. No. 802T- W1C (Dim. A = 0.81 in.);  
Cat. Nos. 802T- W1E and 802T- W1F (Dim. A = 1.03 in.)  
Shipping Wt. W1C: 57 g (2 oz); W1E: 28.3 g (1 oz.); W1F: 43 g (1.5 oz)



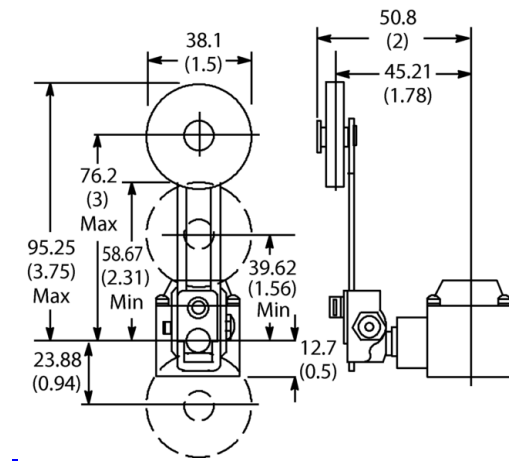
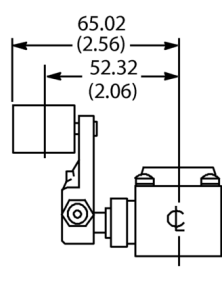
Cat. No. 802T- W1D  
Shipping Wt. 43 g (1.5 oz)



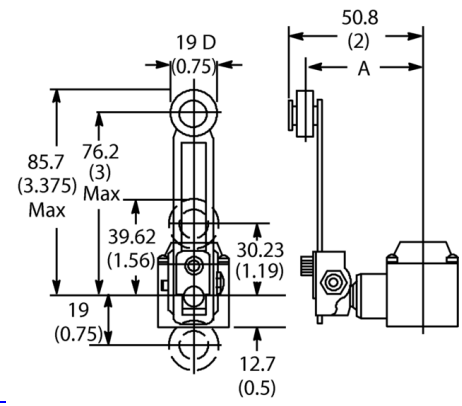
Cat. No. 802T- W1G  
Shipping Wt. 28 g (1 oz)



Cat. No. 802T- W1H

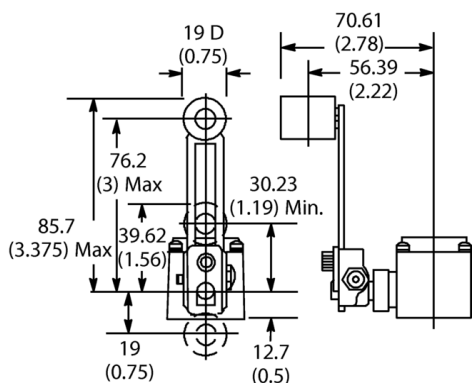


Cat. No. 802T- W2A  
Shipping Wt. 57 g (2 oz)

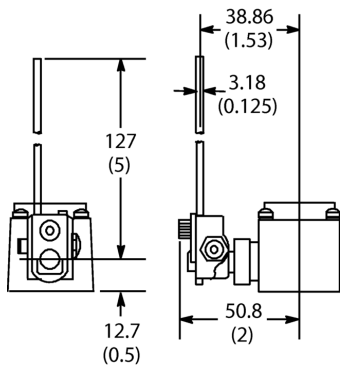


Cat. Nos. 802T- W2 & 802T- W2B (Dim. A = 1.78 in.);  
Cat. No. 802T- W2C (Dim. A = 1.81 in.)  
Shipping Wt. 57 g (2 oz)

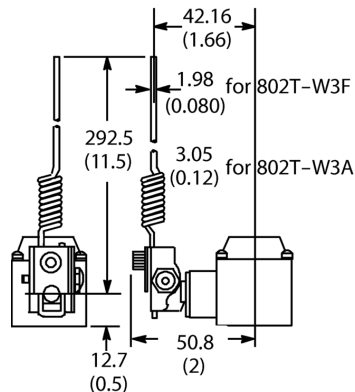




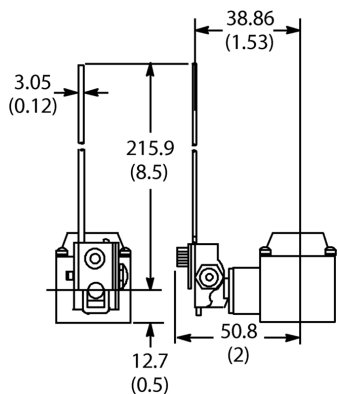
Cat. No. 802T-W2D  
Shipping Wt. 57 g (2 oz)



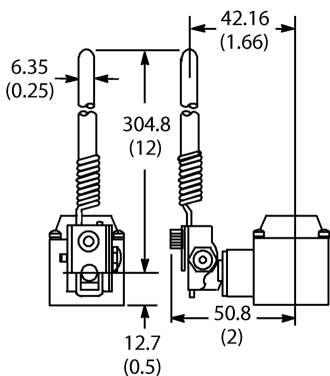
Cat. No. 802T-W3  
Shipping Wt. 43 g (1.5 oz)



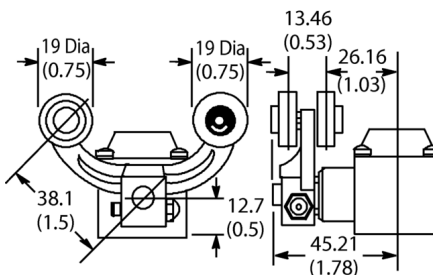
Cat. Nos. 802T-W3A & 802T-W3F  
Shipping Wt. 57 g (2 oz)



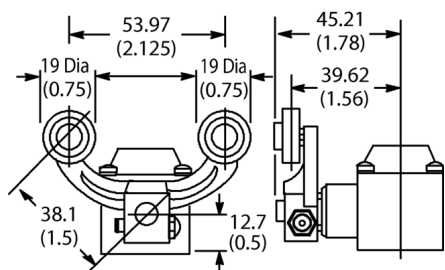
Cat. Nos. 802T-W3B & 802T-W3F  
Shipping Wt. 43 g (1.5 oz)



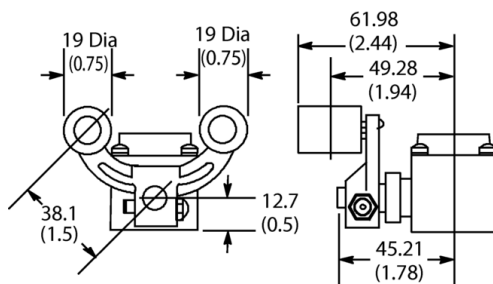
Cat. No. 802T-W3C  
Shipping Wt. 57 g (2 oz)



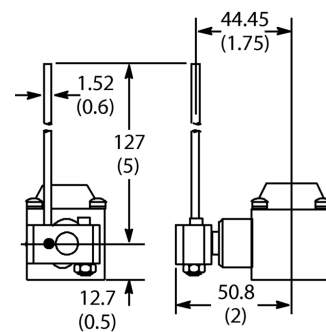
Cat. Nos. 802T-W4 & 802T-W4D  
Shipping Wt. 43 g (1.5 oz)  
Cat. No. 802T-W4B  
Shipping Wt. 57 g (2 oz)



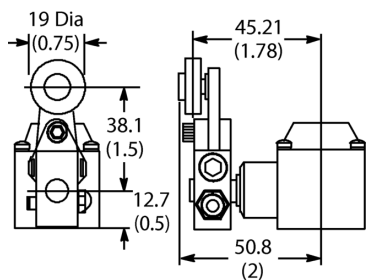
Cat. Nos. 802T-W4A & 802T-W4C  
Shipping Wt. 57 g (2 oz)



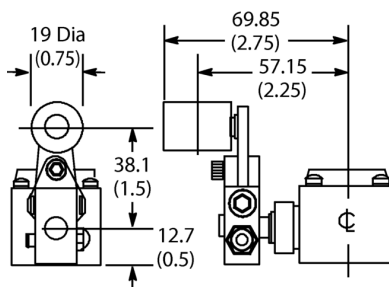
Cat. No. 802T-W4F  
Shipping Wt. 57 g (2 oz)



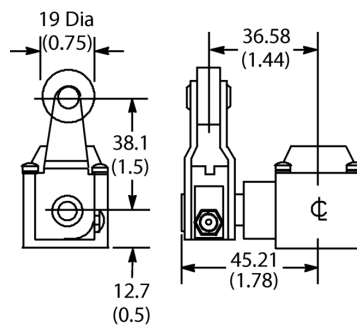
Cat. No. 802T-W5  
Shipping Wt. 28 g (1 oz)



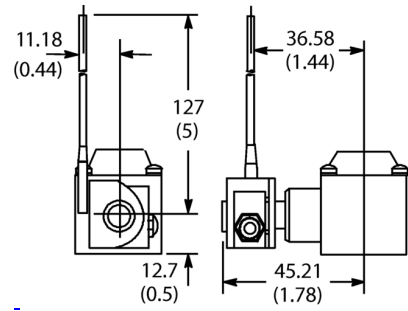
Cat. Nos. 802T-W6, 802T-W6A, 802T-W6B, and 802T-W6E  
Shipping Wt. 57 g (2 oz)



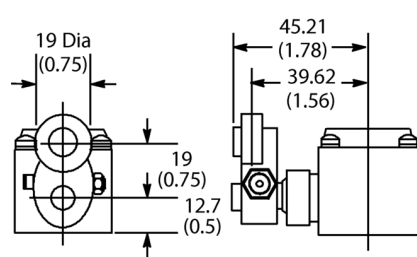
Cat. No. 802T-W6F  
Shipping Wt. 57 g (2 oz)



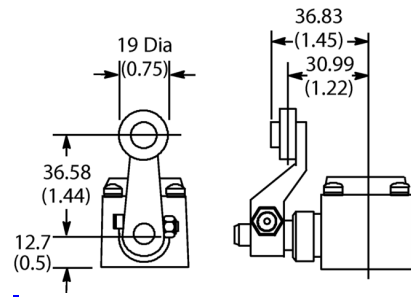
Cat. Nos. 802T-W7, 802T-W7A, and 802T-W7B  
Shipping Wt. 57 g (2 oz)



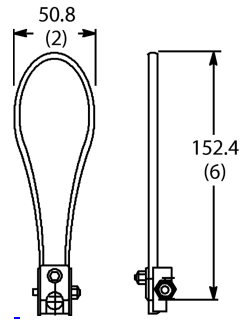
Cat. No. 802T- W8  
Shipping Wt. 43 g (1.5 oz)



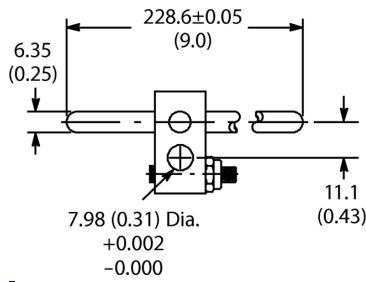
Cat. No. 802T- W9  
Shipping Wt. 28 g (1 oz)



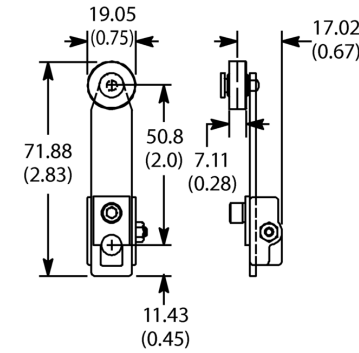
Cat. No. 802T- W12  
Shipping Wt. 28.3 g (1 oz)  
Cat. Nos. 802T- W12A, 802T- W6B, and 802T- W6E  
Shipping Wt. 43 g (1.5 oz)



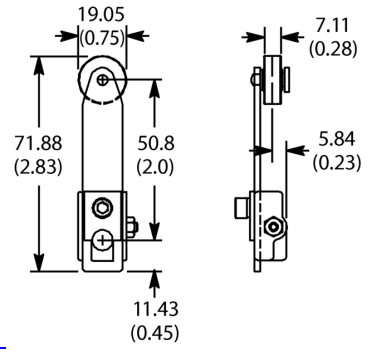
Cat. No. 802T- W14  
Shipping Wt. 43 g (1.5 oz)



Cat. Nos. 802T- W16 & 802T- W16A



Cat. No. 802T- W20  
Shipping Wt. 57 g (2 oz)



Cat. No. 802T- W20J  
Shipping Wt. 57 g (2 oz)