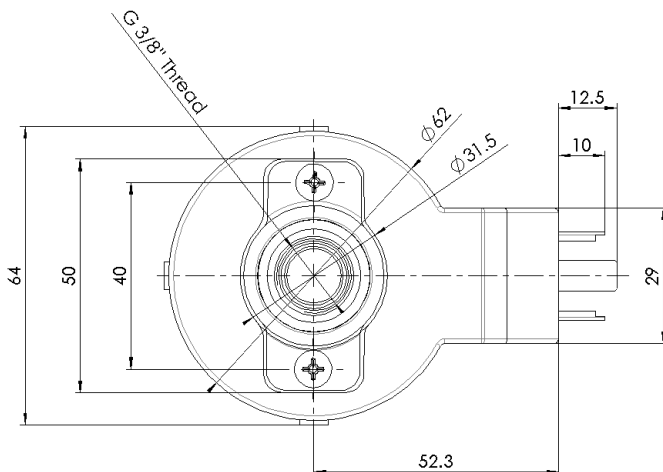
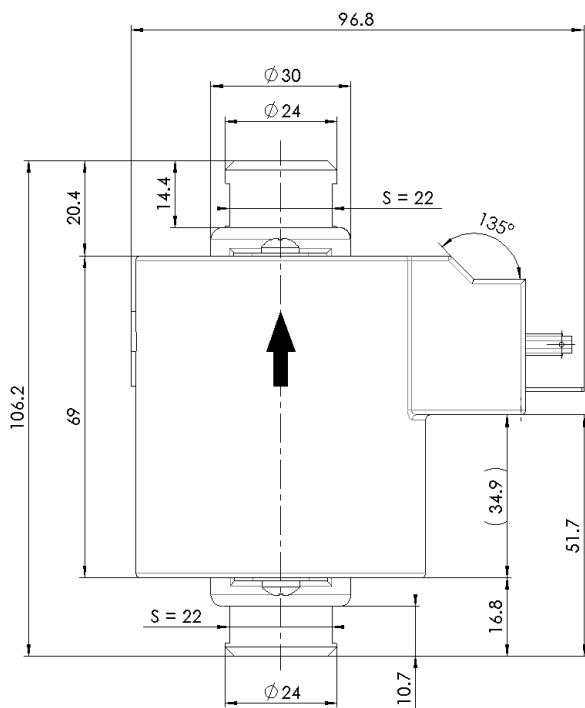


Electromagnetic pump

EBQ 18

Technical data



Typical applications :

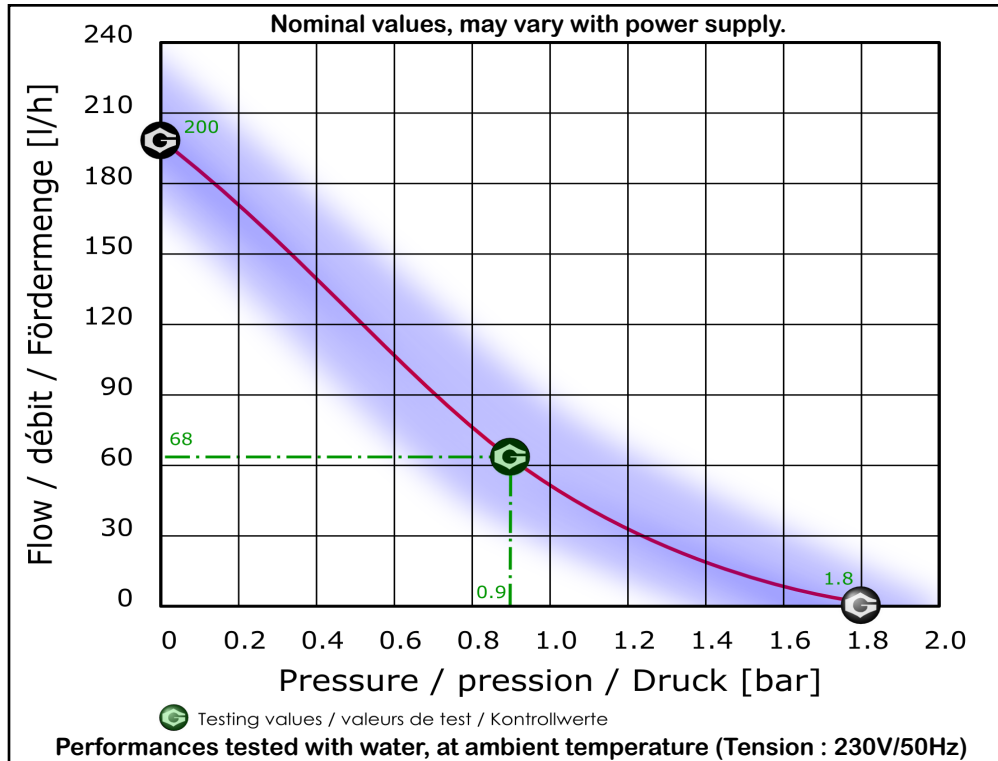
- Household equipment
- Laboratory devices
- Cleaning equipment
- Printing systems
- Lubrication

Nominal rated data :

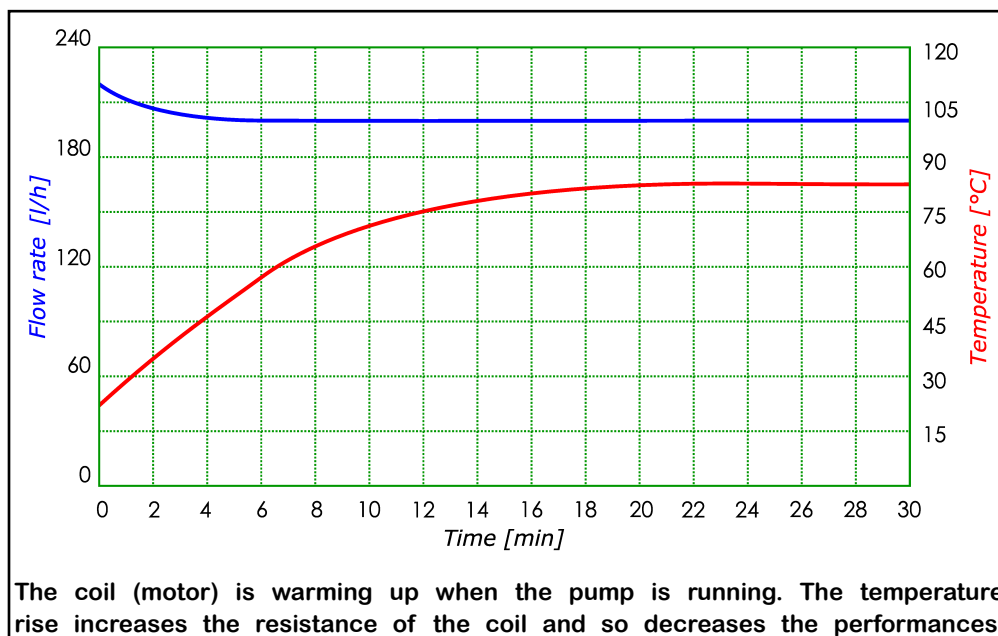
Maximum pressure	: 1.8 [bar]
Maximum flow rate	: 200 [l/h]
Maximum suction height	: 2 [m]
Viscosity range	: 1...600 [mm ² /s]
Filter	: Mesh 100
Tension	: 230 [V]~ (115 [V])
Frequency	: 50 [Hz], (60 [Hz])
Electrical connection	: DIN 43650 A
Power	: 120 [W]
Weight	: ~1070 [g]
Temperature	: 1 [°C]...50 [°C]
Insulation	: Class H-100% ED / 20 [°C] Class I
Noise level (1m)	: Open flow = ~63 [dB(A)], Max. pressure = ~49 [dB(A)]
Approvals	: EC conform to EN60335-1 (ED.4), CB cert. Nr. CH-4364, (UL on request)
EMC	: Conform to 2004/108/EC
LVD	: Conform to 2006/95/EC
RoHS	: Conform to 2002/95/EC



Performances :



Heating & flow :



Additional information :

Materials in contact with the liquid :

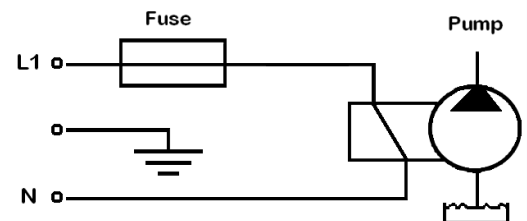
Connectors : 1.4305
 Piston : 1.4057 + Cr
 Springs : 1.4401
 Valves tips : HNBR
 O-ring : NBR

Large choice of materials & options



Electric wiring diagram :

Fuse is necessary



Note :

Please refer to instruction manual for more installation details. For more information, visit our website

www.gotecpumps.com