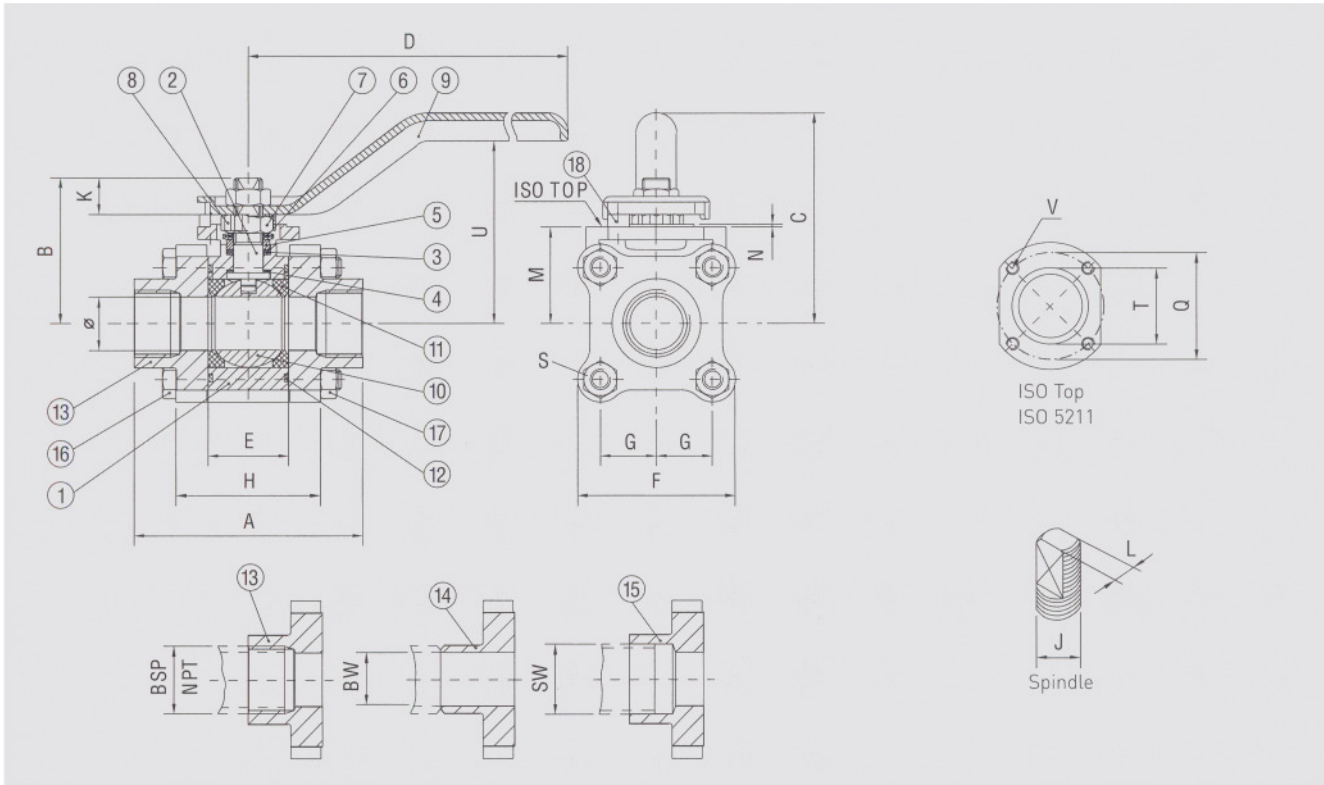




Full bore DN 8-40 (1/4" - 1 1/2")



| Materials | | |
|---------------------------|-------------|-------------|
| | 15i44 | 15i66 |
| 1 Body | 1.0432N | 1.4401 |
| 2 Valve stem | 1.4435 | 1.4435 |
| 3 Stem seal | PTFE-carbon | PTFE-carbon |
| 4 Thrust washer | PTFE-carbon | PTFE-carbon |
| 5 Thrust collar | 1.4305 | 1.4305 |
| 6 Plate spring | 1.4310 | 1.4310 |
| 7 Handle nut | 1.4305 | 1.4305 |
| 8 Retaining cap | 1.4301 | 1.4301 |
| 9 Hand lever | 1.4408 | 1.4408 |
| 10 Ball | 1.4401 | 1.4401 |
| 11 Seat | PTFE-glass | PTFE-glass |
| 12 Body seal | PTFE-glass | PTFE-glass |
| 13 Threaded connection** | 1.0432N | 1.4404 |
| 14 Butt weld connection** | 1.0432N | 1.4404 |
| 15 Socket weld connect.** | 1.0432N | 1.4404 |
| 16 Body bolt | 8.8 galv. | A2-70 |
| 17 Body nut | 8.8 galv. | A2 |
| 18 Bolt | 8.8 galv. | A2-70 |

** Series 1566 - 1.4404

| Full bore DN 8-40 (1/4" - 1 1/2") | | | | | | | |
|-----------------------------------|-------|-------|-------|-------|-------|--------|---------|
| DN | 8 | 10 | 15 | 20 | 25 | 32 | 40 |
| SIZE | 1/4" | 3/8" | 1/2" | 3/4" | 1" | 1 1/4" | 1 1/2" |
| BW | 9.2 | 12.5 | 15.8 | 21 | 26.6 | 35.1 | 41 |
| SW | 14 | 18 | 22 | 27.5 | 34.5 | 43 | 49 |
| Ø | 11 | 11 | 14 | 21 | 25 | 32 | 38 |
| A | 66 | 66 | 76 | 90 | 105 | 115 | 130 |
| B | 36 | 36 | 42 | 56 | 60 | 71 | 76 |
| C | 62 | 62 | 65 | 82 | 81 | 101 | 106 |
| D | 150 | 150 | 150 | 175 | 175 | 200 | 200 |
| E | 20.6 | 20.6 | 24.6 | 31.7 | 41.3 | 48.4 | 56.3 |
| F | 45 | 45 | 51 | 62 | 68 | 77 | 87 |
| G | 16 | 16 | 19 | 22 | 25 | 29 | 33 |
| H | 40 | 40 | 46 | 57 | 67 | 76 | 86 |
| J UNF | 3/8" | 3/8" | 3/8" | 7/16" | 7/16" | 9/16" | 9/16" |
| K | 9 | 9 | 12 | 14 | 14 | 16 | 16 |
| L | 5.5 | 5.5 | 5.5 | 7.5 | 7.5 | 9 | 9 |
| M | 27 | 27 | 32 | 38 | 35 | 41 | 46 |
| N | 1 | 1 | 1 | 1 | 2 | 2 | 2 |
| Q | 42 | 42 | 42 | 42 | 42 | 50 | 50 |
| S | M6x45 | M6x47 | M6x55 | M8x65 | M8x75 | M10x90 | M10x100 |
| T | 30 | 30 | 30 | 30 | 30 | 35 | 35 |
| U | 51 | 51 | 54 | 71 | 70 | 86 | 91 |
| V | M5 | M5 | M5 | M5 | M5 | M6 | M6 |
| ISO TOP | F04 | F04 | F04 | F04 | F04 | F05 | F05 |
| kg | 0.6 | 0.6 | 0.8 | 1.5 | 2.2 | 3 | 4 |