

Return to
ALPHA
TOC

Return to
SECTION
TOC



Industrial Hydraulic Valves

Directional Control, Pressure Control, Sandwich,
Subplates & Manifolds, Accessories

Catalog HY14-2500/US

aerospace
climate control
electromechanical
filtration
fluid & gas handling
hydraulics
pneumatics
process control
sealing & shielding



ENGINEERING YOUR SUCCESS.

**WARNING – USER RESPONSIBILITY**

FAILURE OR IMPROPER SELECTION OR IMPROPER USE OF THE PRODUCTS DESCRIBED HEREIN OR RELATED ITEMS CAN CAUSE DEATH, PERSONAL INJURY AND PROPERTY DAMAGE.

- This document and other information from Parker-Hannifin Corporation, its subsidiaries and authorized distributors provide product or system options for further investigation by users having technical expertise.
- The user, through its own analysis and testing, is solely responsible for making the final selection of the system and components and assuring that all performance, endurance, maintenance, safety and warning requirements of the application are met. The user must analyze all aspects of the application, follow applicable industry standards, and follow the information concerning the product in the current product catalog and in any other materials provided from Parker or its subsidiaries or authorized distributors.
- To the extent that Parker or its subsidiaries or authorized distributors provide component or system options based upon data or specifications provided by the user, the user is responsible for determining that such data and specifications are suitable and sufficient for all applications and reasonably foreseeable uses of the components or systems.

OFFER OF SALE

The items described in this document are hereby offered for sale by Parker-Hannifin Corporation, its subsidiaries or its authorized distributors. This offer and its acceptance are governed by the provisions stated in the detailed "Offer of Sale" elsewhere in this document or available at www.parker.com/hydraulicvalve.

SAFETY GUIDE

For safety information, see Safety Guide SG HY14-1000 at www.parker.com/safety or call 1-800-CParker.

© Copyright 2011 Parker Hannifin Corporation, All Rights Reserved

Cat HY14-2500-frtcvr.indd, dd



Directional Control Valves**A**

Sandwich Valves**B**

Subplates and Manifolds**C**

Pressure Control Valves**D**

Flow Control and Check Valves**E**

Wherever in the world machinery is designed, manufactured or used, Parker is there to meet your hydraulic application requirements – with a broad selection of hydraulic components, worldwide availability and technical support, and above all — ***Parker Premier Customer Service***.

Arranged by product group, this catalog

contains specifications, technical data, reference materials, dimensions, and ordering information on the complete line.

When you are ready to order, call your local Parker Hydraulic distributor for fast delivery and service. Consult your Parker Hydraulic Sales Office for the location of the distributor serving your area (see listing at the back of this catalog).

Alphanumeric Index

Return to
ALPHA
TOCReturn to
SECTION
TOC

Series	Page	Series	Page		
2F1C.....	Flow Control.....	E2	D6 Subplates & Manifolds	C14 - C18	
C4V.....	D.O. Check.....	E8	D61VA	Air Pilot Operated	A149
C4V.....	P.O. Check	E12	D61VL.....	Lever Operated.....	A151
C5P.....	P.O. Check	E15	D61VHW.....	P. O., Solenoid Controlled	A136
C5V.....	D.O. Check.....	E18	D61VW	P. O., Solenoid Controlled	A136
CM.....	Check.....	B5	D8P.....	Oil Pilot Operated	A177
CPOM.....	Dbl. P. O., Check	B13	D8 Subplates & Manifolds	C14 - C18	
D1SE	Solenoid Operated.....	A41	D81VA	Air Pilot Operated	A173
D1V Subplates & Manifolds.....	C2 - C6		D81VL.....	Lever Operated.....	A175
D1VA	Air and Oil Pilot Operated.....	A31	D81VHW.....	P. O., Solenoid Controlled	A160
D1VC	Cam, Cam Lever Operated.....	A35	D81VW	P. O., Solenoid Controlled	A160
D1VD	Cam, Cam Lever Operated.....	A35	D9L.....	Lever Operated.....	A183
D1VG.....	Cam, Cam Lever Operated.....	A35	FM	Dbl. Sandwich, Flow Control.....	B18
D1VHW.....	Solenoid Operated.....	A2	PR*M	See R4R	D28
D1VL.....	Lever Operated	A37	PRDM.....	D. O., Pressure Reducing	B24
D1VP	Air and Oil Pilot Operated.....	A31	PRM.....	Pressure Reducing	B29
D1VW	Solenoid Operated.....	A2	PSB	EH Pressure Switch.....	C34
D10P.....	Oil Pilot Operated	A205	R*R, R*M.....	See R4V*5, R6V*5	D3
D101VA	Air Pilot Operated	A201	R1E02.....	Pressure Reducing	D74
D101VL.....	Lever Operated.....	A203	R4R	Pressure Reducing	D26
D101VHW.....	P. O., Solenoid Controlled	A188	R4S.....	Pilot Operated Sequence	D36
D101VW	P. O., Solenoid Controlled	A188	R4U	Pressure Reducing, Unloading... D19	
D111VW	P. O., Solenoid Controlled	A211	R4V.....	Pressure Relief, Pilot Operated .. D68	
D3A.....	Air Operated	A68	R4V*5	Pressure Relief, Vent	D3
D3A Subplates & Manifolds.....	C7 - C8		R5R	Pressure Relief, Pilot Operated .. D55	
D3C	Cam Operated	A71	R5S.....	Sequence, Pilot Operated.....	D65
D3D	Cam Operated	A71	R5U	Unloading, Pilot Operated	D60
D3DW	Solenoid Operated.....	A63	R5V.....	Pressure Relief, Pilot Operated .. D49	
D3DW Subplates & Manifolds	C7 - C8		R6V*5	Pressure Relief, Vent	D3
D3L.....	Lever Operated	A73	RM.....	Relief	B36
D3L Subplates & Manifolds	C7 - C8		RS*R, RS*M	See R4V*5, R6V*5	D3
D3*P	Oil Pilot Operated	A106	S*M.....	See R4S	D36
D3P Subplates & Manifolds.....	C9 - C13		Subplate & Manifold Accessories		
D3W.....	Solenoid Operated.....	A44	& Installation.....	C19 - C33	
D3W Subplates & Manifolds.....	C7 - C8		UR*M.....	See R4U	D19
D31 Subplates & Manifolds	C9 - C13		US*M.....	See R4U	D19
D31*A	Air Pilot Operated	A102	VB.....	Direct Operated Sequence	D40
D31*L.....	Lever Operated.....	A104	VBY	Pilot Operated Sequence	D44
D31*W	P. O., Solenoid Controlled	A78	VM	D. O. Pressure Reducing	D30
D31NW	P. O., Solenoid Controlled	A93	VS.....	Pressure Relief	D16
D41VW	P. O., Solenoid Controlled	A114	ZDR	P.O. Pressure Reducing.....	B42
D4L.....	Lever Operated	A124	ZDV.....	Relief	B45
D4P.....	Oil Pilot Operated	A128	ZNS	Counterbalance	B49
D4S.....	Directional Seat Valve.....	A223	ZRD	Dbl. Flow Control	B53
D5S.....	Directional Seat Valve.....	A233	ZRE	Dbl. P.O. Check	B57
D6P.....	Oil Pilot Operated	A153	ZRV.....	Check.....	B60

Valve Function / Series Index

Return to ALPHA TOC

Return to SECTION TOC

Function/Series	Page
Directional Control Valves	
D1SE Solenoid Operated.....	A41
D1VA Air and Oil Pilot Operated.....	A31
D1VC Cam, Cam Lever Operated.....	A35
D1VD Cam, Cam Lever Operated.....	A35
D1VG Cam, Cam Lever Operated.....	A35
D1VHW..... Solenoid Operated.....	A2
D1VL..... Lever Operated.....	A37
D1VP Air and Oil Pilot Operated.....	A31
D1VW Solenoid Operated.....	A2
D10P..... Oil Pilot Operated	A205
D101VA Air Pilot Operated	A201
D101VL..... Lever Operated.....	A203
D101VHW..... P. O., Solenoid Controlled	A188
D101VW P. O., Solenoid Controlled	A188
D111VW P. O., Solenoid Controlled	A211
D3A..... Air Operated	A68
D3C Cam Operated	A71
D3D Cam Operated	A71
D3DW Solenoid Operated.....	A63
D3L..... Lever Operated.....	A73
D3*P Oil Pilot Operated	A106
D3W..... Solenoid Operated.....	A44
D31*A Air Pilot Operated	A102
D31*L..... Lever Operated.....	A104
D31*W P. O., Solenoid Controlled	A78
D31NW P. O., Solenoid Controlled	A93
D41VW P. O., Solenoid Controlled	A114
D4L..... Lever Operated.....	A124
D4P..... Oil Pilot Operated	A128
D4S..... Directional Seat Valve.....	A223
D5S..... Directional Seat Valve.....	A233
D6P..... Oil Pilot Operated	A153
D61VA Air Pilot Operated	A149
D61VL..... Lever Operated.....	A151
D61VHW..... P. O., Solenoid Controlled	A136
D61VW P. O., Solenoid Controlled	A136
D8P..... Oil Pilot Operated	A177
D81VA Air Pilot Operated	A173
D81VL..... Lever Operated.....	A175
D81VHW..... P. O., Solenoid Controlled	A160
D81VW P. O., Solenoid Controlled	A160
D9L..... Lever Operated.....	A183

Function/Series	Page
Sandwich Valves	
CM..... Check.....	B5
CPOM..... Dbl. P. O., Check	B13
FM Dbl. Sandwich, Flow Control.....	B18
PRDM..... D. O., Pressure Reducing	B24
PRM..... Pressure Reducing	B29
RM..... Relief	B36
ZDR..... P.O. Pressure Reducing.....	B42
ZDV..... Relief	B45
ZNS Counterbalance	B49
ZRD Dbl. Flow Control	B53
ZRE Dbl. P.O. Check	B57
ZRV..... Check.....	B60

Function/Series	Page
Pressure Control Valves	
PR*M See R4R	D28
PSB EH Pressure Switch.....	C34
R*R, R*M..... See R4V*5, R6V*5	D3
R1E02..... Pressure Reducing	D74
R4R Pressure Reducing	D26
R4S..... Pilot Operated Sequence	D36
R4U Pressure Reducing, Unloading... ..	D19
R4V..... Pressure Relief, Pilot Operated	D68
R4V*5 Pressure Relief, Vent	D3
R5R Pressure Relief, Pilot Operated	D55
R5S..... Sequence, Pilot Operated.....	D65
R5U Unloading, Pilot Operated	D60
R5V..... Pressure Relief, Pilot Operated	D49
R6V*5 Pressure Relief, Vent	D3
RS*R, RS*M See R4V*5, R6V*5	D3
S*M..... See R4S	D36
UR*M..... See R4U	D19
US*M..... See R4U	D19
VB..... Direct Operated Sequence	D40
VBY Pilot Operated Sequence	D44
VM D. O. Pressure Reducing	D30
VS..... Pressure Relief.....	D16

Function/Series	Page
Flow Control and Check Valves	
2F1C..... Flow Control.....	E2
C4V..... D.O. Check.....	E8
C4V..... P.O. Check	E12
C5P..... P.O. Check	E15
C5V..... D.O. Check.....	E18
Terms of Sale and Warranty Limitations	E21
Safety Guide.....	E22 - E23



**Return to
ALPHA
TOC**

**Return to
SECTION
TOC**

Contents

Return to
ALPHA
TOCReturn to
SECTION
TOC

A

Series D1V (NFPA D03/CETOP 3, NG6 Mounting)

Introduction and Technical Information	A2 - A15
Series D1V	Solenoid Operated..... A17 - A28
Accessories	A29 - A30
Series D1VA and D1VP	Air and Oil Pilot Operated..... A31 - A34
Series D1VC, D1VD and D1VG	Cam and Cam Lever Operated..... A35 - A36
Series D1VL	Lever Operated..... A37 - A38
Installation	Series D1V..... A39 - A40

Series D1SE (NFPA D03/CETOP 3, NG6 Mounting)

Series D1SE	Solenoid Operated..... A41 - A43
-------------------	----------------------------------

Series D3 (NFPA D05/CETOP 5, NG10 Mounting)

Introduction and Technical Information	A44 - A51
Series D3W	Solenoid Operated..... A53 - A61
Accessories	A62
Series D3DW	Solenoid Operated..... A63 - A67
Series D3A	Air Operated..... A68 - A70
Series D3C and D3D	Cam Operated..... A71 - A72
Series D3L	Lever Operated..... A73 - A74
Installation	Series D3..... A75 - A76

Series D31 (NFPA D05H/CETOP 5H, NG10 Mounting)

Introduction and Technical Information	A78
Series D31	Pilot Operated, Solenoid Controlled..... A79 - A91
Accessories	A92
Series D31NW	Pilot Operated, Solenoid Controlled..... A93 - A100
Accessories	A101
Series D31*A	Air Pilot Operated..... A102 - A103
Series D31*L	Lever Operated..... A104 - A105
Series D3P	Oil Pilot Operated..... A106 - A107
Installation	Series D31, D3P..... A108 - A112

Series D41 (NFPA D07/CETOP 7, NG16 Mounting)

Introduction and Technical Information	A114
Series D41VW	Pilot Operated, Solenoid Controlled..... A115 - A122
Accessories	A123
Series D4L	Lever Operated..... A124 - A127
Series D4P	Oil Pilot Operated..... A128 - A131
Installation	Series D4..... A133 - A135

Series D61 (NFPA D08/CETOP 8, NG25 Mounting)

Introduction and Technical Information	A136
Series D61V	Pilot Operated, Solenoid Controlled..... A137 - A147
Accessories	A148
Series D61VA	Air Pilot Operated..... A149 - A150
Series D61VL	Lever Operated..... A151 - A152
Series D6P	Oil Pilot Operated..... A153 - A154
Installation	Series D61, D6P..... A155 - A158

Series D81 (NFPA D08/CETOP 8, NG25 Mounting)

Introduction and Technical Information	A160
Series D81V	Pilot Operated, Solenoid Controlled..... A161 - A171
Accessories	A172
Series D81VA	Air Pilot Operated..... A173 - A174
Series D81VL	Lever Operated..... A175 - A176
Series D8P	Oil Pilot Operated..... A177 - A178
Installation	Series D81, D8P..... A179 - A182
Series D9L	Lever Operated..... A183 - A186

Series D101 (NFPA D10/CETOP 10, NG32 Mounting)

Introduction and Technical Information	A188
Series D101V	Pilot Operated, Solenoid Controlled..... A189 - A199
Accessories	A200
Series D101VA	Air Pilot Operated..... A201 - A202
Series D101VL	Lever Operated..... A203 - A204
Series D10P	Oil Pilot Operated..... A205 - A206
Installation	Series D101, D10P..... A207 - A210

Series D111 (NFPA D10/CETOP 10, NG32 Mounting)

Series D111VW	Pilot Operated, Solenoid Controlled..... A211 - A219
Installation	A220 - A222

Series D4S (NG10, NG25, NG32)

Series D4S	Directional Seat Valve..... A223 - A232
------------------	---

Series D5S (SAE Flange)

Series D5S	Directional Seat Valve, SAE Flange..... A233 - A247
------------------	---

D1.indd, dd



A

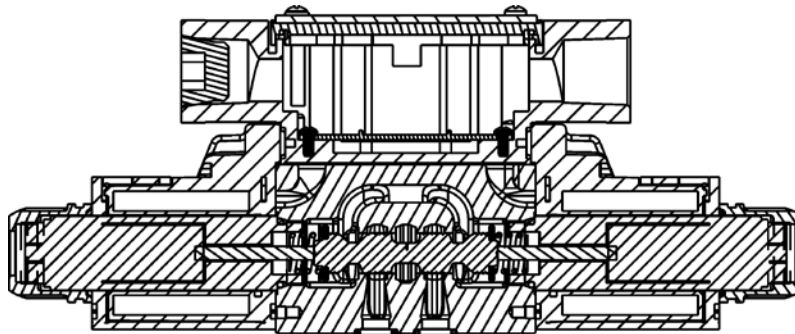
Application

Series D1V hydraulic directional control valves are high performance, direct operated 4-way valves. They are available in 2 or 3-position styles. They are manifold mounted valves, which conform to NFPA's D03, CETOP 3 mounting pattern. These valves were designed for industrial and mobile hydraulic applications which require high cycle rates, long life and high efficiency.

Operation

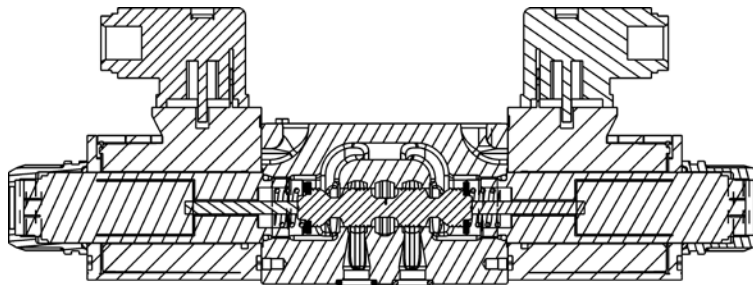
Series D1V directional control valves consist of a 4-chamber style body, and a case hardened sliding spool. The spool is directly shifted by a variety of operators including: solenoid, lever, cam, air or oil pilots.

D1VW Solenoid Operated Plug-In Conduit Box Style



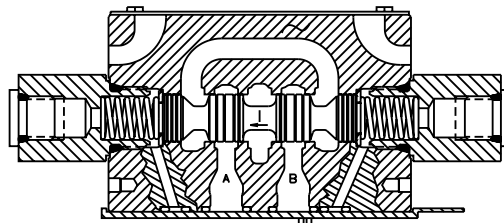
- Easy access mounting bolts.
- Waterproof NEMA 4, IP67.
- No tools required for coil removal.
- 19 standard spool styles available.
- Four electrical connection options.
- Lights included (CSA approval for DC solenoids and lights).
- Easy coil replacement.
- Plug-In design offered with lights & other options.

D1VW Solenoid Operated Hirschmann (DIN) Style



- DIN Style (43650) Hirschmann.
- 19 spool styles available.
- No tools required for coil removal.
- Easy coil replacement.
- AC & DC lights available. (CSA approval for solenoids and lights).

D1VP Oil Pilot Operated



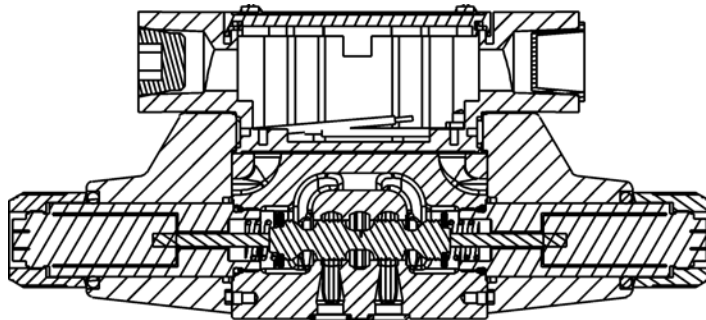
- Subplate pilot or end cap pilot option.
- Pilot pressure: 15.2 Bar (220 PSI) to 207 Bar (3000 PSI).

Electrical Connections

Series D1V valves may be configured in all popular electrical configurations including:

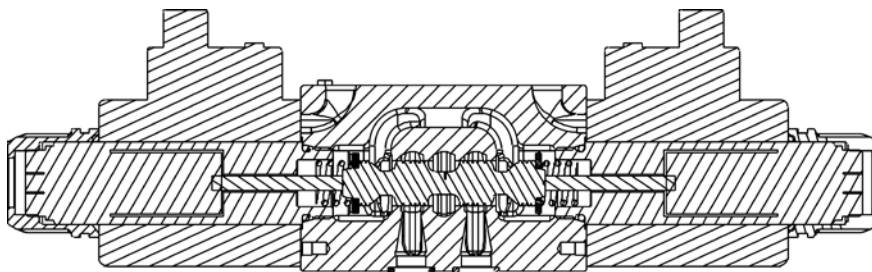
Plug-in Conduit Box	Explosion Proof	Dual Spade (DC only)
DESINA (DC only)	Hirschmann (DIN)	Wire Lead Conduit Box
Deutsch (DC only)	Metri-Pack (DC only)	

D1VW Solenoid Operated Wire Lead Conduit Box Style



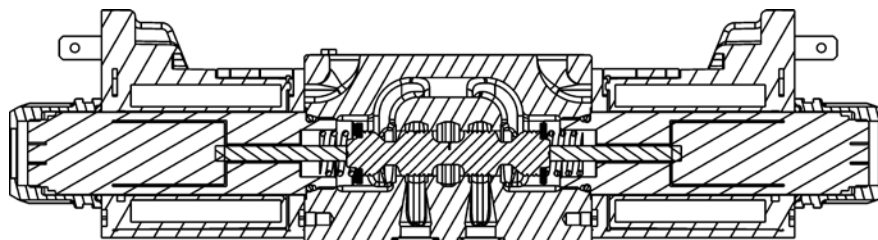
- Easy access mounting bolts.
- Waterproof NEMA 4, IP67.
- No tools required for coil removal.
- 19 spool styles available.
- No lights available

D1VW Solenoid Operated DESINA Style



- Surge suppression standard.
- 19 standard spool available.
- No tools required for spool removal.
- Easy coil replacement.
- Wired to DESINA Spec (VDMA).
- Lights included.

D1VW Solenoid Operated Dual Spade Style



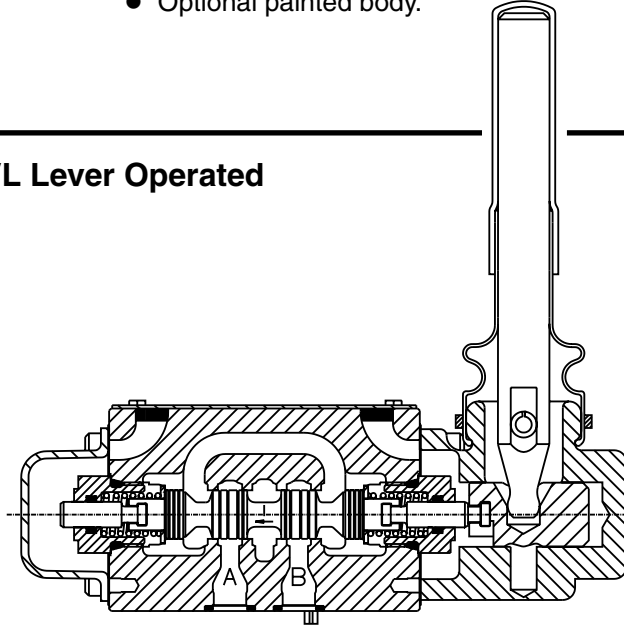
- Dual spade connection (SAE Style 1B).
- Easy coil replacement.
- Surge suppression available.
- 19 standard spool styles available.

A**Features**

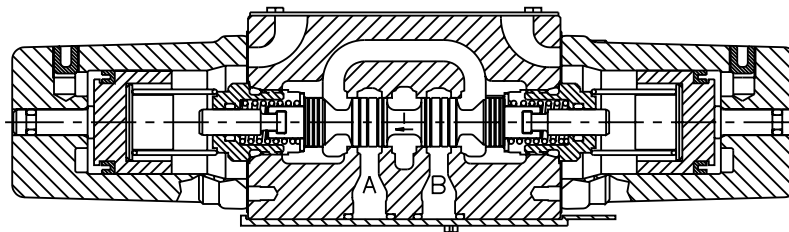
- Easy access mounting bolts.
- 345 Bar (5000 PSI) pressure rating.
- Flows to 22 GPM depending on spool.
- Choice of five operator styles.
- Rugged four land spools.
- Low pressure drop.
- Phosphate finished body.
- CSA approved and U.L. recognized available.
- Optional proportional spool available.
- Optional painted body.

D1VL Lever Operated

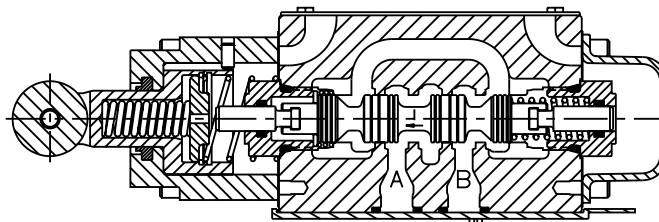
- Spring return or detent styles available.
- Heavy duty handle design.

**D1VA Air Operated**

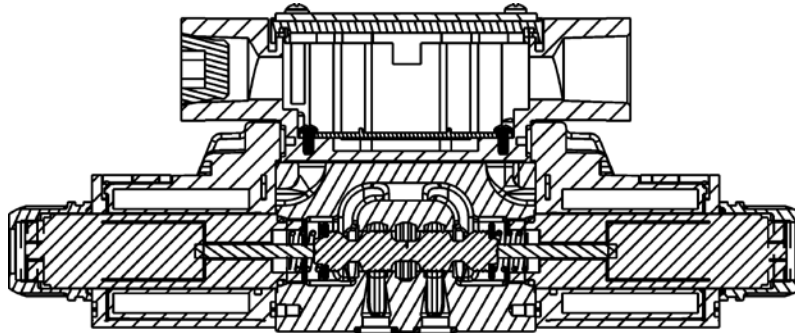
- Low pilot pressure required – 4.1 Bar (60 PSI) minimum.

**D1VC Cam Operated**

- Choice of 2 cam roller positions (D1VC and D1VD).
- Two styles available (D1VC and D1VG).
- Short stroke option.

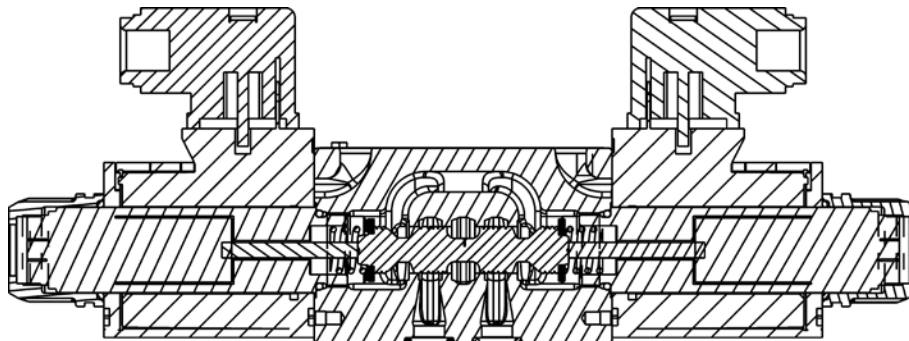


D1VW AC Solenoid Operated Soft Shift



- 4 standard orifice sizes available.
- 19 spool styles available.
- AC Rectified or DC input.

D1VW DC Solenoid Operated Soft Shift



Standard Spool Reference Data



Model	Spool Symbol	Maximum Flow, LPM (GPM) 350 Bar (5000 PSI) w/o Malfunction		
		High Watt DC	Low Watt AC	Low Watt DC
D1V*001		78 (20)	49 (13)	37 (10)
D1V*002		78 (20)	45 (12)	68 (18)
D1V*003		70 (18)	30 (8)	34 (9)
D1V*004		37 (10)	30 (8)	68 (18)
D1V*005		60 (16)	45 (12)	45 (12)
D1V*006		79 (21)	49 (13)	52 (14)
D1V*007		45 (12)	18 (5)	18 (5)
D1V*008		49 (13)	45 (12)	37 (10)
D1V*009		58 (15)	45 (12)	45 (12)
D1V*010		13 (4)	11 (3)	15 (4)
D1V*011		58 (16)	30 (8)	37 (10)
D1V*014		45 (12)	18 (5)	18 (5)
D1V*015		79 (21)	30 (8)	34 (9)
D1V*016		60 (16)	45 (12)	52 (14)
D1V*020		78 (20)	45 (12)	75 (20)
D1V*026		37 (10)	11 (3)	7 (2)
D1V*030		70 (18)	18 (5)	75 (20)
D1V*081		32 (9)	26 (7)	30 (8)
D1V*082		32 (9)	26 (7)	34 (9)

Center or De-energized position is indicated by P, A, B & T port notation.

D1VA, D1VP, D1VC, D1VL Reference Data

Model	Spool Symbol	Maximum Flow, LPM (GPM) 350 Bar (5000 PSI) w/o Malfunction	Model	Spool Symbol	Maximum Flow, LPM (GPM) 350 Bar (5000 PSI) w/o Malfunction
D1V*1		83 (22)	D1V*20 #		53 (14)
D1V*2		83 (22)	D1V*26 #		11 (3)
D1V*4		45 (12)	D1V*30 #		19 (5)
D1V*8		45 (12)	D1V*81		30 (8)
D1V*9		57 (15)	D1V*82		30 (8)

Center or De-energized position is indicated by A, B, P & T port notation.
 # D1VP only.

Manaplug – Electrical Mini Plug

- EP336-30 3 Pin Plug
- EP316-30 5 Pin Plug (Double Solenoid)
- EP31A-30 5 Pin Plug (Single Solenoid)

Desina – 12mm Connector

5004109

Monitor Switch Connector

1301903-N

Manaplug – Electrical Micro Plug

- EP337-30 3 Pin Plug
- EP317-30 5 Pin Plug (Double Solenoid)
- EP31B-30 5 Pin Plug (Single Solenoid)

Electrical Cords – Mini Plug

- EC 3 Conductor, 6 ft.
- EC3 3 Conductor, 3 ft.
- EC12 3 Conductor, 12 ft.
- EC5 5 Conductor, 6 ft.
- EC53 5 Conductor, 3 ft.
- EC512 5 Conductor, 12 ft.

Hirschmann – Female Connector

- 692915 Gray (Solenoid A)
- 692914 Black (Solenoid B)

Quantity Required		
A,C,D	B,E,F	H,K,M
1	–	1
1	1	–

Hirschmann – Female Connector-Rectified (48-240 VAC)

- 1301053 Gray (Solenoid A)
- 1301054 Black (Solenoid B)

1	–	1
1	1	–

Hirschmann – Female Connector-Rectified w/Lights (100-240 VAC)

1300712

2	1	1
---	---	---

Hirschmann – Female Connector w/Lights (Note Voltages)

- 694935 6-48 VAC or VDC
- 694936 48-120 VDC, 100-240 VAC

2	1	1
2	1	1

Solenoid Ratings

Insulation System	Class F
Allowable Deviation from rated voltage	-15% to +10% for DC and AC rectified coils -5% to +5% for AC Coils
Armature	Wet pin type
CSA File Number	LR60407
Environmental Capability	DC Solenoids meet NEMA 4 and IP67 when properly wired and installed. Contact HVD for AC coil applications.

Explosion Proof Solenoid Ratings*

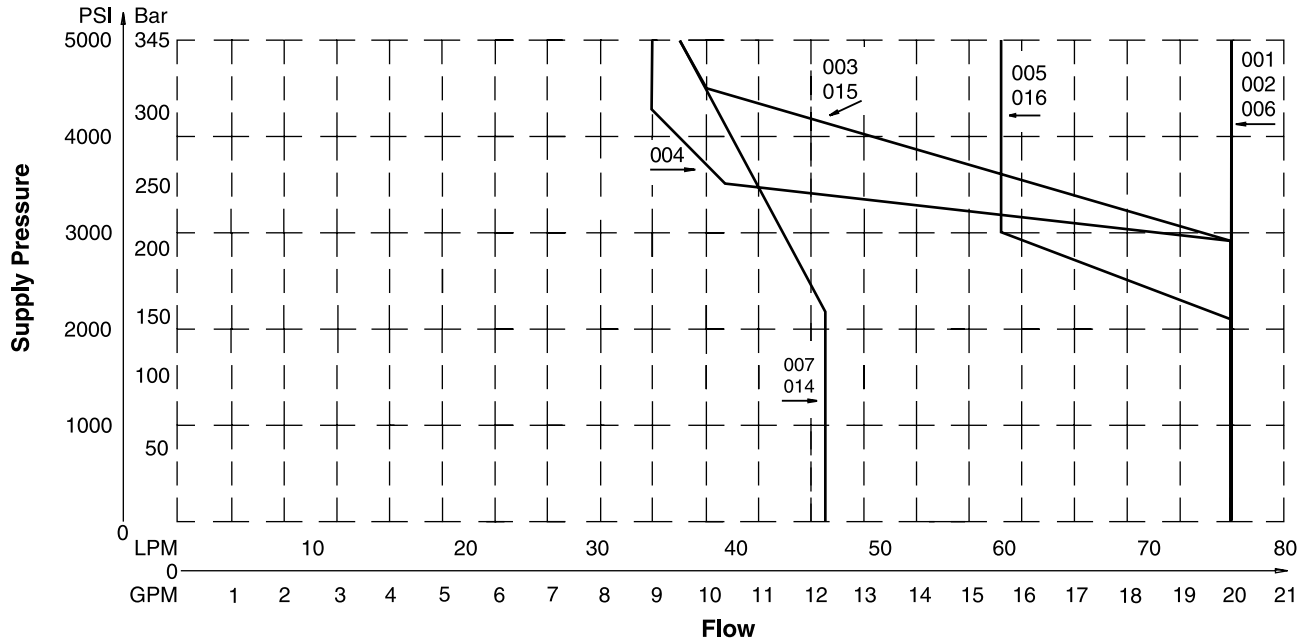
U.L. & CSA (EU)	Class I, Div 1 & 2, Groups C & D Class II, Div 1 & 2, Groups E, F & G As defined by the N.E.C.
MSHA (EO)	Complies with 30CFR, Part 18
ATEX (ED)	Complies with ATEX requirements for: Exd, Group IIB; EN50014: 1999+ Amds. 1 & 2, EN50018: 2000
ATEX & CSA/US (ET)	Complies with ATEX EN60079-0, EN60079-1 Ex d IIC; CSA/US Ex d IIC, AEx d IIC for Class I, Zone 1, UL1203, UL1604, CSA E61241,1 Class II, Div 1

* Allowable Voltage Deviation ±10%.
 Note that Explosion Proof AC coils are single frequency only.

Code		Voltage	In Rush Amps Amperage	In Rush VA	Holding Amps @ 3MM	Watts	Resistance
Voltage Code	Power Code						
D	L	120 VDC	N/A	N/A	0.09 Amps	10 W	1584.00 ohms
D	Omit	120 VDC	N/A	N/A	0.26 Amps	30 W	528.00 ohms
G	Omit	198 VDC	N/A	N/A	0.15 Amps	30 W	1306.80 ohms
J	L	24 VDC	N/A	N/A	0.44 Amps	10 W	51.89 ohms
J	Omit	24 VDC	N/A	N/A	1.32 Amps	30 W	17.27 ohms
K	L	12 VDC	N/A	N/A	0.88 Amps	10 W	12.97 ohms
K	Omit	12 VDC	N/A	N/A	2.64 Amps	30 W	4.32 ohms
L	L	6 VDC	N/A	N/A	1.67 Amps	10 W	3.59 ohms
L	Omit	6 VDC	N/A	N/A	5.00 Amps	30 W	1.20 ohms
Q	Omit	100 VAC / 60 Hz	2.05 Amps	170 VA	0.77 Amps	30 W	19.24 ohms
QD	F	100 VAC / 60 Hz	1.35 Amps	135 VA	0.41 Amps	18 W	31.20 ohms
QD	F	100 VAC / 50 Hz	1.50 Amps	150 VA	0.57 Amps	24 W	31.20 ohms
R	F	24/60 VAC, Low Watt	6.67 Amps	160 VA	2.20 Amps	23 W	1.52 ohms
T	Omit	240/60 VAC	0.83 Amps	199 VA	0.30 Amps	30 W	120.40 ohms
T	Omit	220/50 VAC	0.87 Amps	191 VA	0.34 Amps	30 W	120.40 ohms
T	F	240/60 VAC, Low Watt	0.70 Amps	168 VA	0.22 Amps	21 W	145.00 ohms
T	F	220/50 VAC, Low Watt	0.75 Amps	165 VA	0.26 Amps	23 W	145.00 ohms
U	L	98 VDC	N/A	N/A	0.10 Amps	10 W	960.00 ohms
U	Omit	98 VDC	N/A	N/A	0.31 Amps	30W	288.00 ohms
Y	Omit	120/60 VAC	1.7 Amps	204 VA	0.60 Amps	30 W	28.20 ohms
Y	Omit	110/50 VAC	1.7 Amps	187 VA	0.68 Amps	30 W	28.20 ohms
Y	F	120/60 VAC, Low Watt	1.40 Amps	168 VA	0.42 Amps	21 W	36.50 ohms
Y	F	110/50 VAC, Low Watt	1.50 Amps	165 VA	0.50 Amps	23 W	36.50 ohms
Z	L	250 VDC	N/A	N/A	0.04 Amps	10 W	6875.00 ohms
Z	Omit	250 VDC	N/A	N/A	0.13 Amps	30 W	1889.64 ohms
Explosion Proof Solenoids							
R		24/60 VAC	7.63 Amps	183 VA	2.85 Amps	27 W	1.99 ohms
T		240/60 VAC	0.76 Amps	183 VA	0.29 Amps	27 W	1.34 ohms
N		220/50 VAC	0.77 Amps	169 VA	0.31 Amps	27 W	1.38 ohms
Y		120/60 VAC	1.60 Amps	192 VA	0.58 Amps	27 W	33.50 ohms
P		110/50 VAC	1.47 Amps	162 VA	0.57 Amps	27 W	34.70 ohms
K		12 VDC	N/A	N/A	2.75 Amps	33 W	4.36 ohms
J		24 VDC	N/A	N/A	1.38 Amps	33 W	17.33 ohms
"ET" Explosion Proof Solenoids							
K		12 VDC	N/A	N/A	1.00 Amps	12 W	12.00 ohms
J		24 VDC	N/A	N/A	1.00 Amps	13 W	44.30 ohms
Y		120/60-50 VAC	N/A	N/A	0.16 Amps	17 W	667.00 ohms

D1.indd, dd

D1V Shift Limits, DC & AC Rectified 30 Watt



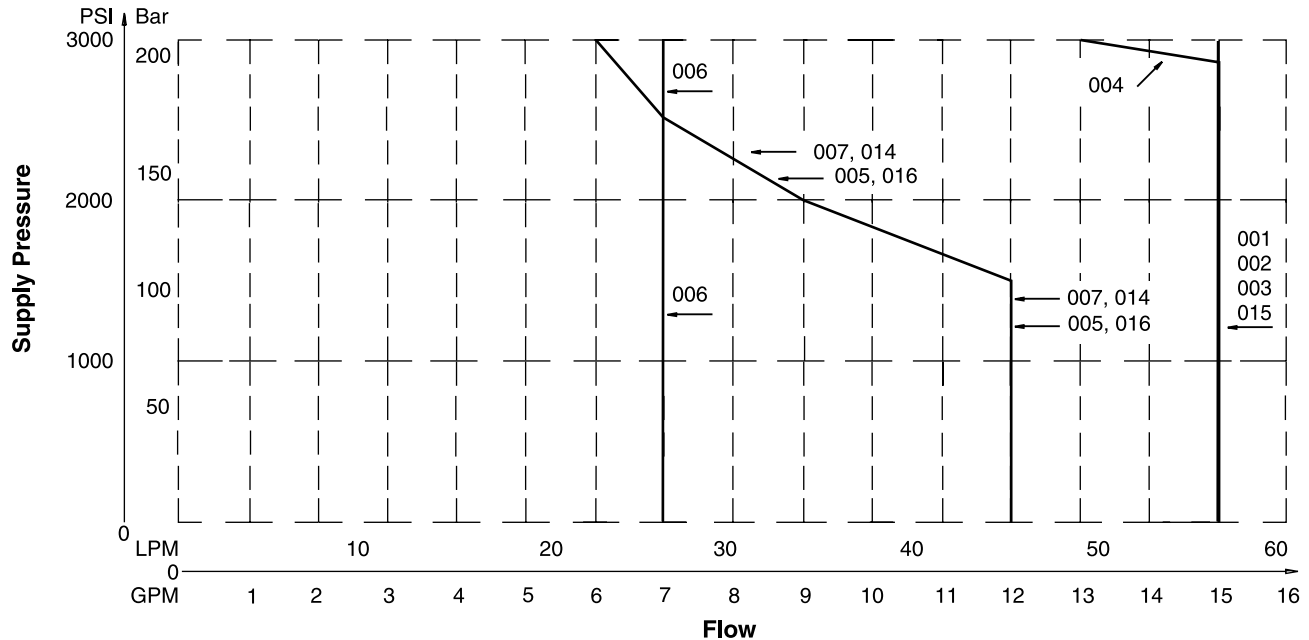
Example:

Determine the maximum allowable flow of a Series D1V valve (#004 spool) at 138 Bar (2000 PSI) supply pressure. Locate the curve marked "004". At 138 Bar (2000 PSI) supply pressure, the maximum flow is 57 LPM (15 GPM). At 207 Bar (3000 PSI), the flow is 49 LPM (13 GPM).

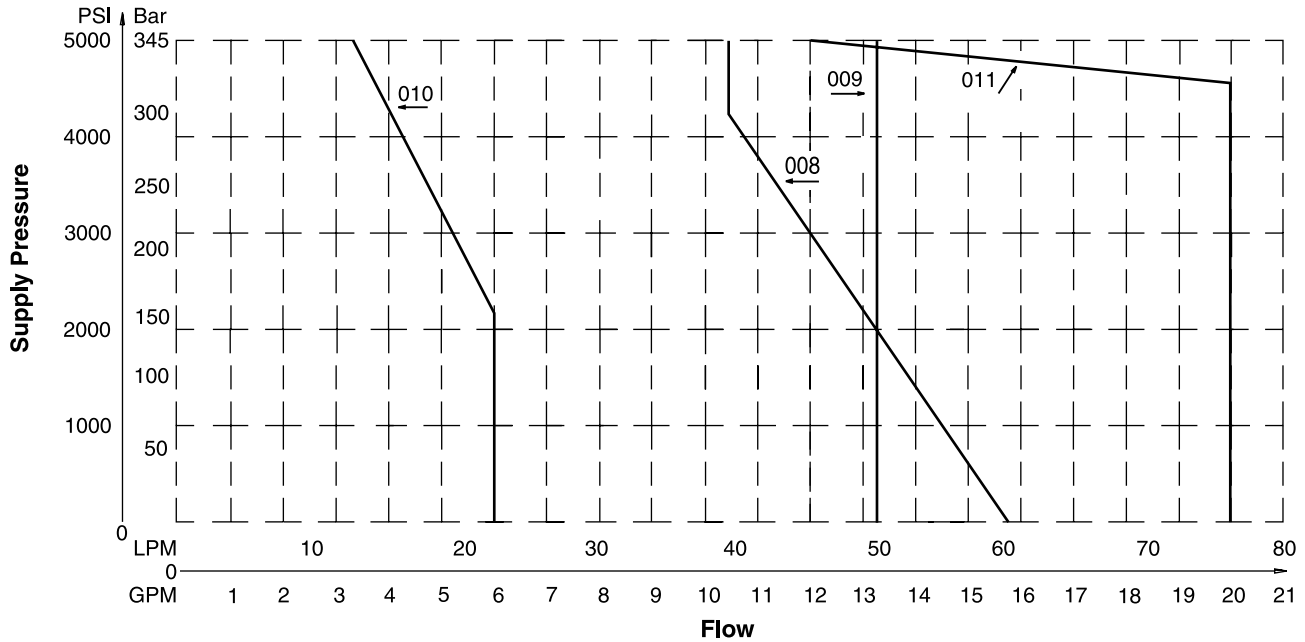
Important Notes for Switching Limit Charts

1. For F & M style valves, reduce flow to 70% of that shown.
2. Shift limits charted for equal flow A and B ports. Unequal A and B port flows may reduce shift limits.
3. These charts do not show explosion proof performance. Consult factory for explosion proof duty.
4. Blocking A or B ports will reduce flow by 70%.

D1VW***L Shift Limits**



D1V Shift Limits, DC & AC Rectified 30 Watt



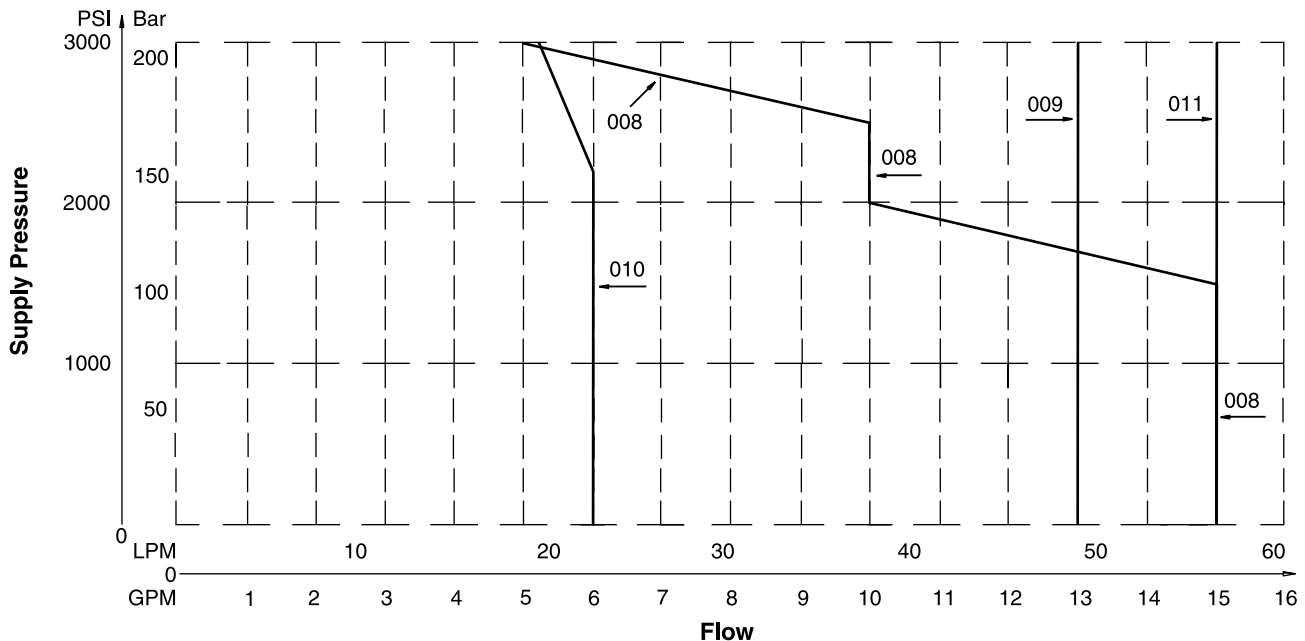
Example:

Determine the maximum allowable flow of a Series D1V valve (#008 spool) at 83 Bar (1200 PSI) supply pressure. Locate the curve marked "008". At 83 Bar (1200 PSI) supply pressure, the maximum flow is 57 LPM (15 GPM). At 207 Bar (3000 PSI), the flow is 19 LPM (5 GPM).

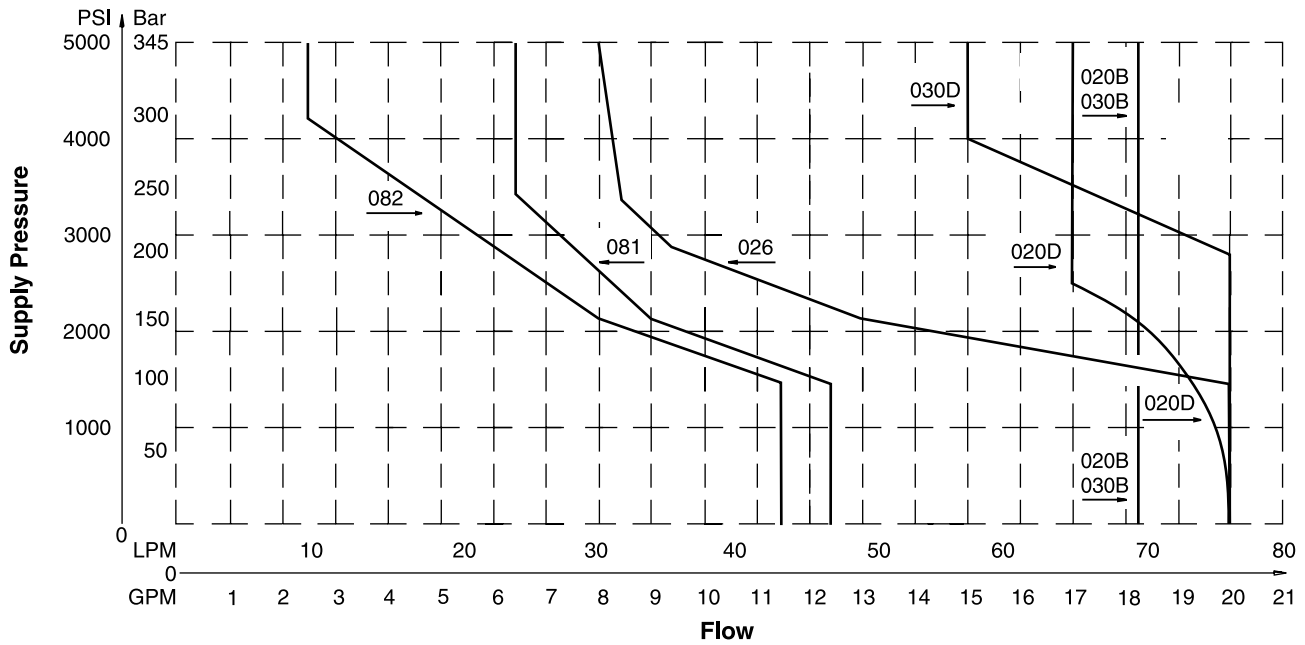
Important Notes for Switching Limit Charts

1. For F & M style valves, reduce flow to 70% of that shown.
2. Shift limits charted for equal flow A and B ports. Unequal A and B port flows may reduce shift limits.
3. These charts do not show explosion proof performance. Consult factory for explosion proof duty.
4. Blocking A or B ports will reduce flow by 70%.

D1VW***L Shift Limits**



D1V Shift Limits, DC & AC Rectified 30 Watt



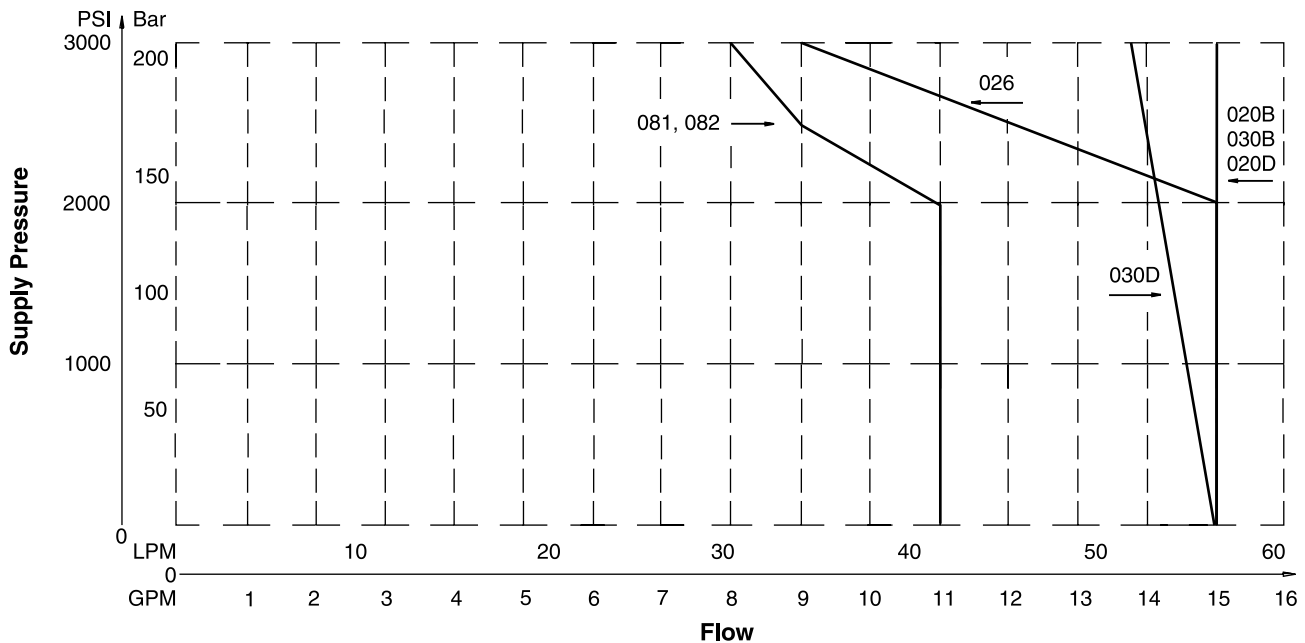
Example:

Determine the maximum allowable flow of a Series D1V valve (#081 spool) at 83 Bar (1200 PSI) supply pressure. Locate the curve marked "081". At 83 Bar (1200 PSI) supply pressure, the maximum flow is 42 LPM (11 GPM). At 138 Bar (2000 PSI), the flow is 42 LPM (11 GPM).

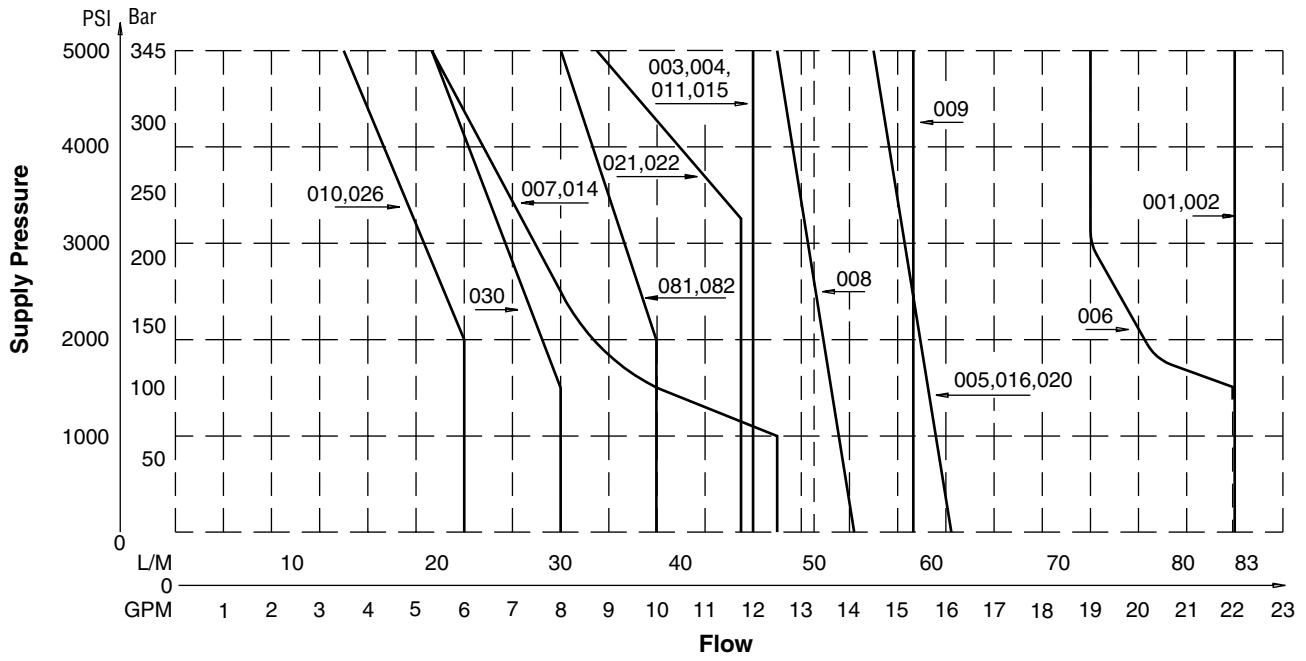
Important Notes for Switching Limit Charts

1. For F & M style valves, reduce flow to 70% of that shown.
2. Shift limits charted for equal flow A and B ports. Unequal A and B port flows may reduce shift limits.
3. These charts do not show explosion proof performance. Consult factory for explosion proof duty.
4. Blocking A or B ports will reduce flow by 70%.

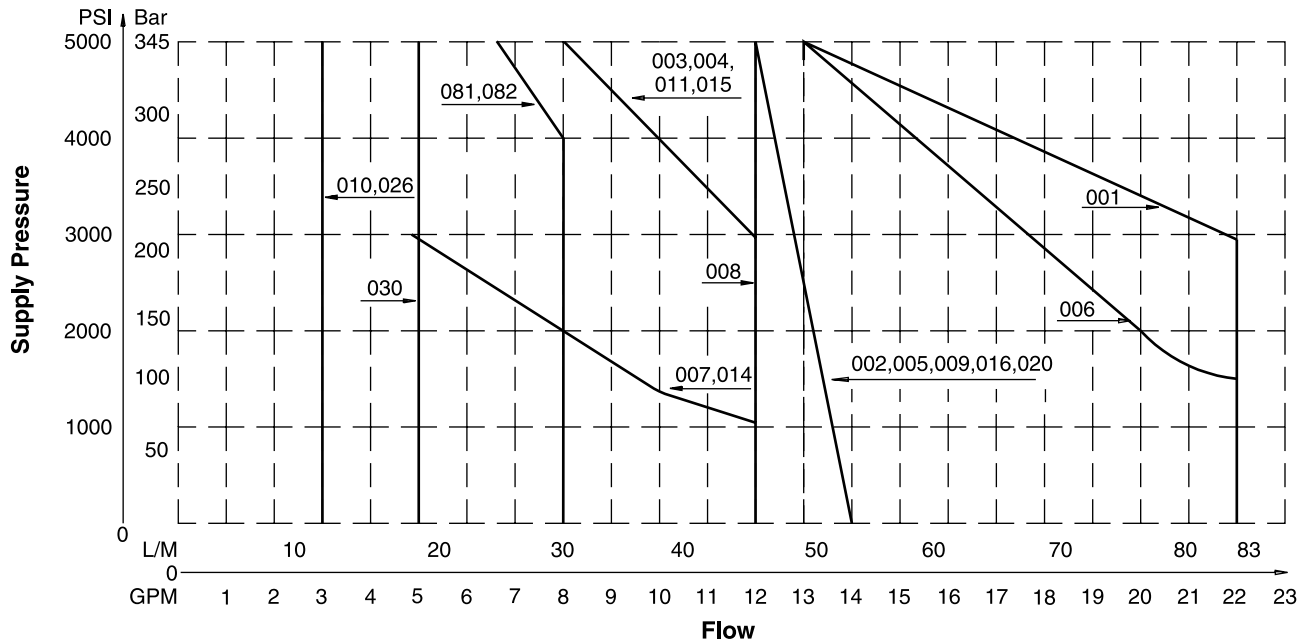
D1VW***L Shift Limits**



D1V Shift Limits, AC 30 Watt



D1V***F Shift Limits, AC**



Example:

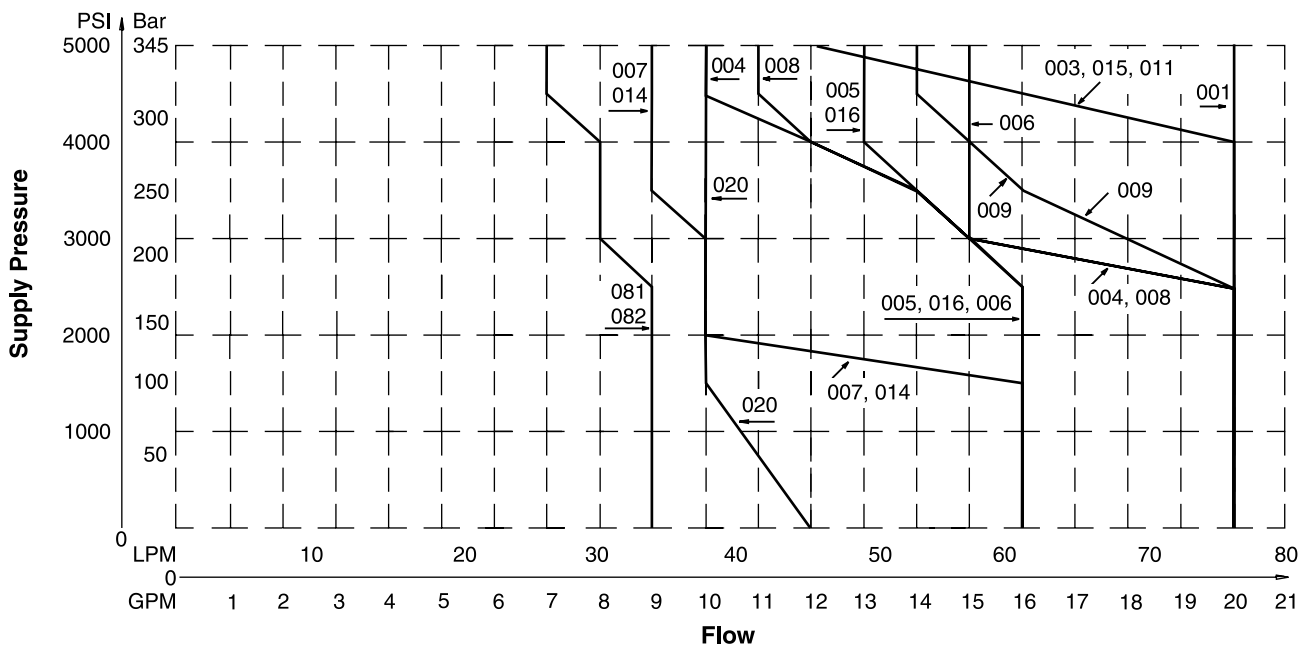
Determine the maximum allowable flow of a Series D1V valve (#009 spool) at 83 Bar (1200 PSI) supply pressure. Locate the curve marked "009". At 83 Bar (1200 PSI) supply pressure, the maximum flow is 75 LPM (20 GPM). At 207 Bar (3000 PSI), the flow is 68 LPM (18 GPM).

Important Notes for Switching Limit Charts

1. For F & M style valves, reduce flow to 70% of that shown.
2. Shift limits charted for equal flow A and B ports. Unequal A and B port flows may reduce shift limits.
3. These charts do not show explosion proof performance. Consult factory for explosion proof duty.
4. Blocking A or B ports will reduce flow by 70%.

Soft Shift Limit Curves

DC Power Supply



Pressure Drop vs. Flow, High Watt

A

The table to the right provides the flow vs. pressure drop curve reference for standard and high performance D1V Series valves by spool type.

The chart below demonstrates graphically the pressure drop characteristics of the standard D1VW****F and the high performance D1V. The low watt coil and other design features of the standard D1VW****F accommodate a maximum flow of 50 LPM (13 GPM) at 345 Bar (5000 PSI).

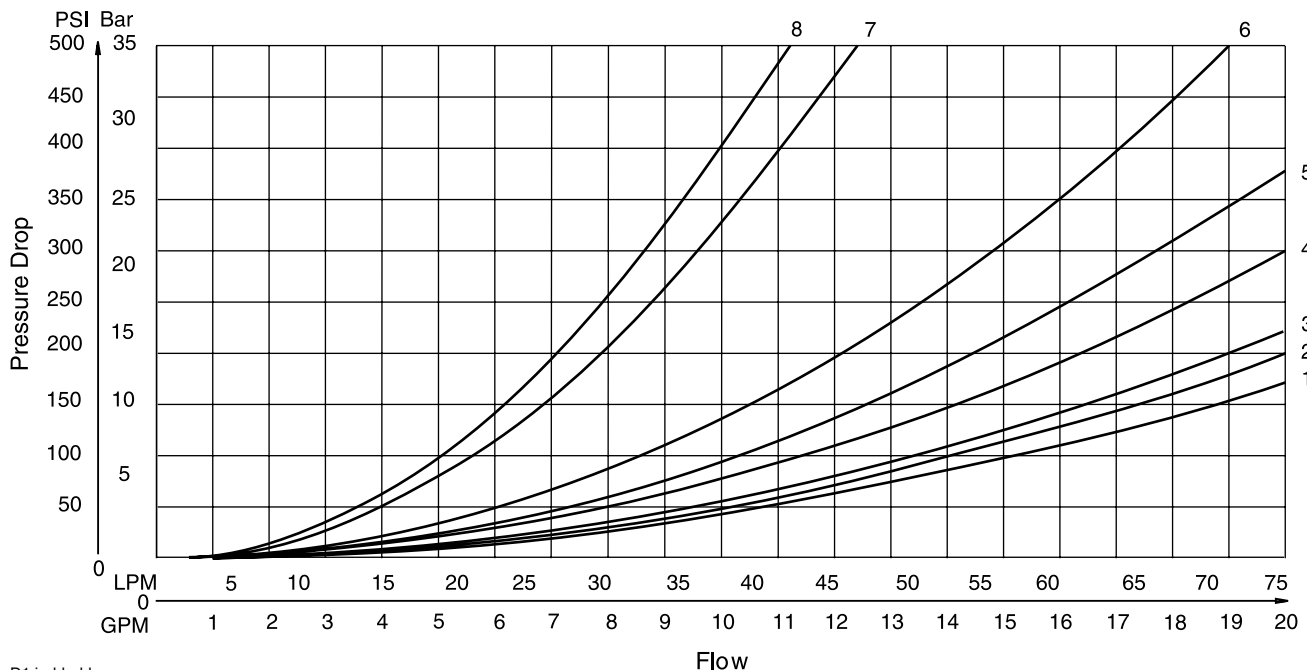
D1VW Pressure Drop Reference Chart – 30 Watt Coil

Spool No.	Curve Number										
	Shifted				Center Condition						
	P-A	P-B	B-T	A-T	(P-T)	(B-A)	(A-B)	(P-A)	(P-B)	(A-T)	(B-T)
001	3	3	2	2	—	—	—	—	—	—	—
002	2	2	1	1	2	1	1	1	1	1	1
003	2	2	1	1	—	—	—	—	—	1	—
004	2	2	1	1	—	—	—	—	—	2	2
005	2	3	1	1	—	—	—	5	—	—	—
006	2	2	1	1	—	6	6	6	6	—	—
007	2	3	1	1	4	—	1	—	—	—	—
008	5	5	5	5	5	—	—	—	—	—	—
009	4	4	4	4	4	—	—	—	—	—	—
010	3	3	—	—	—	—	—	—	—	—	—
011	3	3	1	1	—	—	—	—	—	8	8
014	3	2	1	1	4	1	—	—	—	—	—
015	2	2	1	1	—	—	—	—	—	—	1
016	3	2	1	1	—	—	—	—	5	—	—
020	4	4	2	2	—	—	—	—	—	—	—
026	4	4	—	—	—	—	—	—	—	—	—
030	2	2	1	1	—	—	—	—	—	—	—
081	7	7	8	8	—	—	—	—	—	—	—
082	7	7	8	8	—	—	—	—	—	—	—

Viscosity Correction Factor

Viscosity (SSU)	75	150	200	250	300	350	400	Curves were generated using 100 SSU hydraulic oil. For any other viscosity, pressure drop will change per chart. Pressure drops charted for equal flow A and B ports. Unequal A and B port flows may decrease shift limits.
% of ΔP (Approx.)	93	111	119	126	132	137	141	

Performance Curves – 30 Watt Coil



D1.indd, dd

Pressure Drop vs. Flow, Low Watt

The table to the right provides the flow vs. pressure drop curve reference for 10 watt D1V Series valves by spool type.

The chart below demonstrates graphically the pressure drop characteristics of the standard D1VW*****L and the high performance D1V. The low watt coil and other design features of the standard D1VW*****L accommodate a maximum flow of 50 LPM (13 GPM) at 345 Bar (5000 PSI).

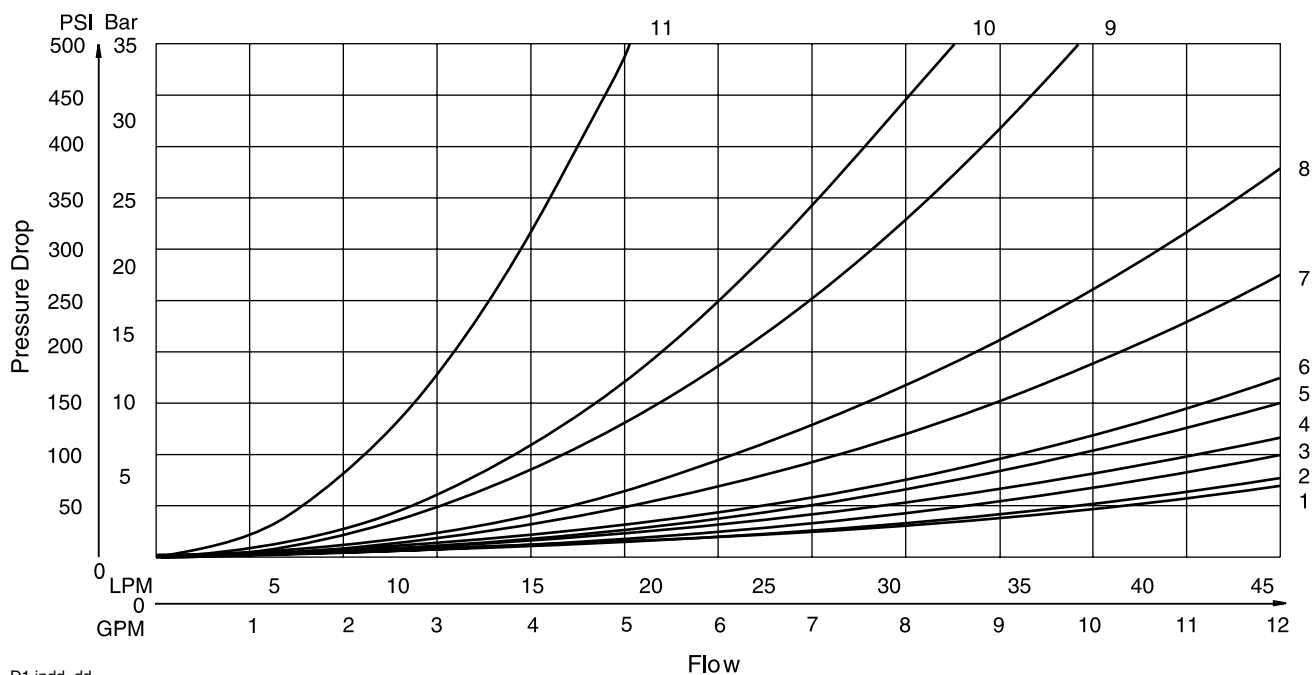
D1VW Pressure Drop Reference Chart – 10 Watt Coil

Spool No.	Curve Number											
	Shifted				Center Condition							
	P-A	P-B	B-T	A-T	(P-T)	(B-A)	(A-B)	(P-A)	(P-B)	(A-T)	(B-T)	
001	3	3	2	2	—	—	—	—	—	—	—	
002	2	2	1	1	2	2	2	2	2	1	1	
003	3	3	2	1	—	—	—	—	—	4	—	
004	3	3	1	1	—	—	—	—	—	6	6	
005	3	3	1	1	—	—	—	7	—	—	—	
006	3	3	1	1	—	8	8	7	7	—	—	
007	3	3	1	1	5	—	4	—	—	—	1	
008	5	5	6	6	7	—	—	—	—	—	—	
009	6	6	6	6	5	—	—	—	—	—	—	
010	4	4	—	—	—	—	—	—	—	—	—	
011	3	3	1	1	—	—	—	—	—	11	11	
014	3	3	1	1	4	—	—	2	—	1	—	
015	3	3	1	2	—	—	—	—	—	—	4	
016	3	3	1	1	—	—	—	—	7	—	—	
020	7	7	4	4	—	—	—	—	—	—	—	
026	6	6	—	—	—	—	—	—	—	—	—	
030	2	2	1	1	—	—	—	—	—	—	—	
081	9	9	10	10	—	—	—	—	—	—	—	
082	10	10	10	10	—	—	—	—	—	—	—	

Viscosity Correction Factor

Viscosity (SSU)	75	150	200	250	300	350	400
% of ΔP (Approx.)	93	111	119	126	132	137	141
Curves were generated using 100 SSU hydraulic oil. For any other viscosity, pressure drop will change per chart.							

Performance Curves – 10 Watt Coil



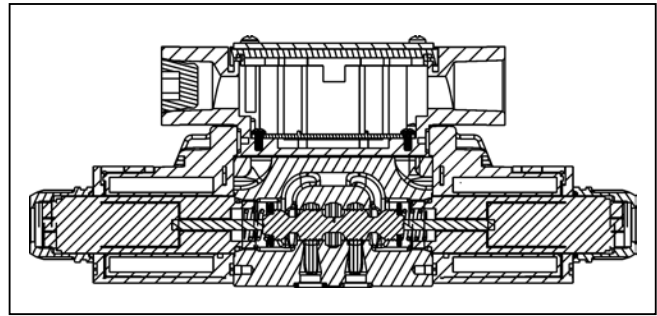
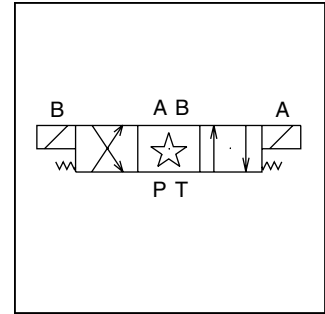
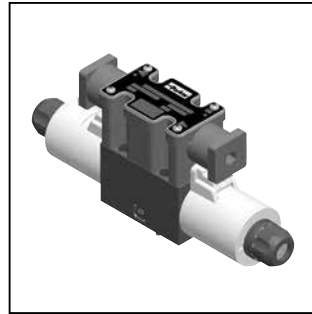
D1.indd, dd

General Description

Series D1VW directional control valves are high performance, 4-chamber, direct operated, wet armature solenoid controlled, 3 or 4-way valves. They are available in 2 or 3-position and conform to NFPA's D03, CETOP 3 mounting patterns.

Features

- Soft shift available.
- 19 standard spool styles available (for other spools – Consult Factory).
- Proportional spools.
- DC surge suppression.
- Eight electrical connection options.
- AC & DC lights available (CSA approval for solenoids and lights).
- Internally ground.
- Easy access mounting bolts.
- Waterproof (meets NEMA 4, up to IP67 on some models).
- Explosion proof.
- CSA approvals.



- U.L. recognized available - Contact the division.
- No tools required for coil removal.
- AC rectified coils.

Specifications

Mounting Pattern	NFPA D03, CETOP 3, NG 6	Leakage Rates* 100 SSU @ 49°C (120°F)	Maximum Allowable: 19.7 cc (1.2 Cu. in.) per Minute/Land @ 69 Bar (1000 PSI)* 73.8 cc (4.5 Cu. in.) per Minute/Land @ 207 Bar (3000 PSI)*
Mounting Interface	DIN 24340-A6 ISO 4401-AB-03-4-A CETOP R35H 4.2-4-03, NFPA D03		
Maximum Pressure	P, A, B 345 Bar (5000 PSI) Standard 207 Bar (3000 PSI) 10 Watt CSA 276 Bar (3750 PSI) Tank: 103 Bar (1500 PSI) AC only 207 Bar (3000 PSI) DC/AC Rectified Standard 207 Bar (3000 PSI) AC Optional CSA 103 Bar (1500 PSI)	*#008 and #009 Spools may exceed these rates. Consult Factory	Typical: 4.9 cc (0.3 Cu. in.) per Minute/Land @ 69 Bar (1000 PSI)* 26.2 cc (1.6 Cu. in.) per Minute/Land @ 345 Bar (5000 PSI)

Response Time

Response time (milliseconds) at 345 Bar (5000 PSI) is 32 LPM (8.5 GPM).

Solenoid Type	Pull-In	Drop-Out
AC	13	20
DC 10 Watt	61	22
DC 30 Watt	51	21

	Orifice Size	Spool Center Condition					
		Closed		Open		2-Position	
Soft Shift		Energize	De-Energize	Energize	De-Energize	Energize	De-Energize
S2	0.020	125 ms	920 ms	200 ms	275 ms	51 ms	100 ms
S5	0.050	51 ms	675 ms	50 ms	27 ms	51 ms	21 ms

A

D Directional Control Valve	1V Basic Valve	Actuator	Spool	Style	Seal	Solenoid Voltage	
<p>NFPA D03 CETOP 3 DIN NG6</p>		<p>Code Description W* Solenoid, Wet Pin, Screw-in HW* Reversed Wiring</p>	<p>Code Description N Nitrile V Fluorocarbon E* EPR</p>			<p>Code Description A** 24/50 VAC D 120 VDC G 198 VDC J 24 VDC K 12 VDC L 6 VDC N*** 220/50 VAC P*** 110/50 VAC</p>	<p>Code Description Q** 100/60 VAC QD† 100/60 - 100/50 VAC R 24/60 VAC T 240/60 - 220/50 VAC U 98 VDC Y 120/60 - 110/50 VAC Z 250 VDC</p>

* Valve schematic symbols are per NFPA/ANSI standards, providing flow P to A when energizing solenoid A. Note operators reverse sides for #008 and #009 spools. See installation information for details. To configure per DIN standards (A coil over A port, B coil over B port) code valves as D1VHW***.

** High Watt only
 *** Explosion Proof only.
 † Available in DIN only.

Code	Symbol	Code	Symbol
001		011	
002		014	
003		015	
004		016	
005		020*	
006		026*	
007		030**	
008*, 009**		081	
010		082	

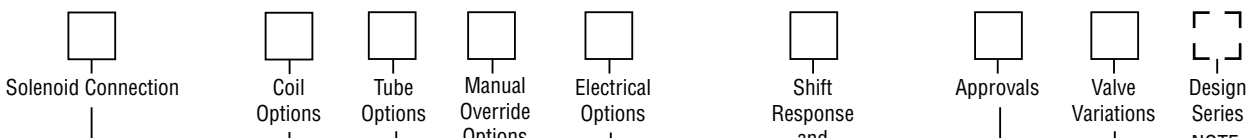
Code	Description	Symbol
B*	Single solenoid, 2 position, spring offset. P to A and B to T in offset position.	
C	Double solenoid, 3 position, spring centered.	
D†	Double solenoid, 2 position, detent.	
E	Single solenoid, 2 position, spring centered. P to B and A to T when energized.	
F‡	Single solenoid, 2 position. Spring offset, energized to center. Position spool spacer on A side. P to A and B to T in spring offset position.	
H*	Single solenoid, 2 position, spring offset. P to B and A to T in offset position.	
K	Single solenoid, 2 position, spring centered. P to A and B to T when energized.	
M‡	Single solenoid, 2 position, spring offset, energized to center position. Spool spacer on B side. P to B and A to T in spring offset position.	

* 008, 020 & 026 spools have closed crossover.
 ** 009 & 030 spools have open crossover.

* 020, 026 and 030 spools only.
 † 020 and 030 spools only.
 ‡ High Watt only.

Bold: Designates Tier I products and options.

Non-Bold: Designates Tier II products and options. These products will have longer lead times.



Code	Description
C*	Leadwire Conduit Box
D**	Metric Plug (M12X1), DESINA
E†	Explosion Proof
G††	Plug-In Conduit Box
J#	Deutsch (DT06-2S)
M#	Metri-Pack (150)
P	DIN with Plug
S#	Dual Spade
W†	DIN w/o Plug

* No variations – See Plug-in.
 ** DC only, lights, diode surge suppressor, not CSA approved.
 † Not available with lights.
 †† Required for variations on conduit box style. Must have lights.
 # DC only, no lights, not CSA approved.

Code	Description
Omit	Standard Response
S2*	Soft Shift, 0.020" Orifice
S3*	Soft Shift, 0.030" Orifice
S4*	Soft Shift, 0.040" Orifice
S5*	Soft Shift, 0.050" Orifice
17**	Monitor Switch Direct Op. End Stroke
18**	Monitor Switch Direct Op. Start Stroke

* Not available with 10 watt. AC DIN coil must include plug.
 ** Single solenoid models only. Not CE or CSA approved.

Code	Description
Omit*	High Watt
D**	Explosion Proof, EEXD ATEX
E**	Explosion Proof, EEXME ATEX
F†	Low Watt
L††	10 Watt
O**	Explosion Proof, MSHA
T#	Explosion Proof, Ex d IIC ATEX/CSA
U**	Explosion Proof, UL/CSA

* AC ambient temperature must not exceed 60°C (140°F).
 ** 60 Hz only on AC, no options.
 † AC only.
 †† DC and AC rectified only.
 # J, K and Y voltages only. Dual frequency on AC, no options.

Code	Description
Omit	No Options
J**	Diode Surge Suppressor
Z†	Rectified Coil

† DC tube standard.
 ** DC only. DIN coil must have plug with lights.

Code	Description
Omit	Standard Valve
3*†	CSA US
4*#	CSA Canada

* Not available with AC high pressure tube.
 † B, C, H styles only. J, K, Y, U voltages only. C, G, W sol. connections only. Conforms to UL429.
 # Valve is derated.

Code	Description
Omit	Standard
T*†	No Override
P*	Extended Manual Override w/Boot

* Manual override options not available on explosion proof or soft shift.
 † DC/AC rectified only.

Code	Description
Omit	Standard Pressure
	103.5 Bar (1500 PSI) AC
	207 Bar (3000 PSI) DC
H*	High Pressure, AC only
	207 Bar (3000 PSI)

* Not available with CSA.

Code	Description
Omit	No Variations
5**	Signal Lights
56*	Manplug (Mini) with Lights
7B*	Manplug (Micro) with Lights
1C*	Manplug (Mini) Single Sol. 5-pin, with Lights
1D*	Manplug (Micro) Single Sol. 5-pin, with Lights
1M*	Manplug Opposite of Normal
4D†	Twist & Lock Override (Old 5426, 33 Ford wiring)
4E†	Push Manual Override (Old x5450)
4F	Heavy Duty Detent
1P	Painted Body
7Y*	4-pin M12x1 Manplug, special wiring with lights (Old B755)

* Plug-in Conduit Box
 ** Plug-in, DIN, or DESINA only
 † DC/AC Rectified only.
 Not available with soft shift.

Valve Weight:
 Single Solenoid 1.36 kg (3.0 lbs.)
 Double Solenoid 1.6 kg (3.5 lbs.)
Standard Bolt Kit: BK209
Metric Bolt Kit: BKM209
Seal Kit:
 Nitrile SKD1VWN91
 Fluorocarbon SKD1VWV91

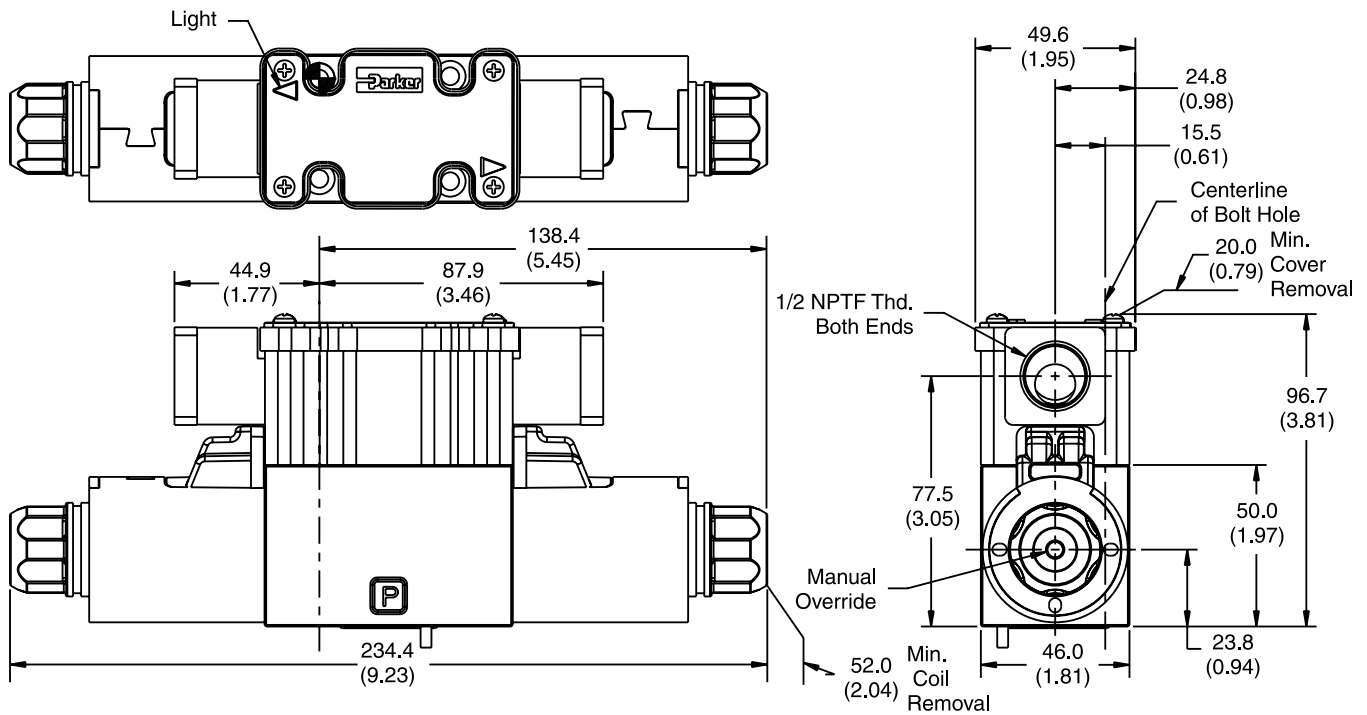
Bold: Designates Tier I products and options.

Non-Bold: Designates Tier II products and options. These products will have longer lead times.

Inch equivalents for millimeter dimensions are shown in (**)

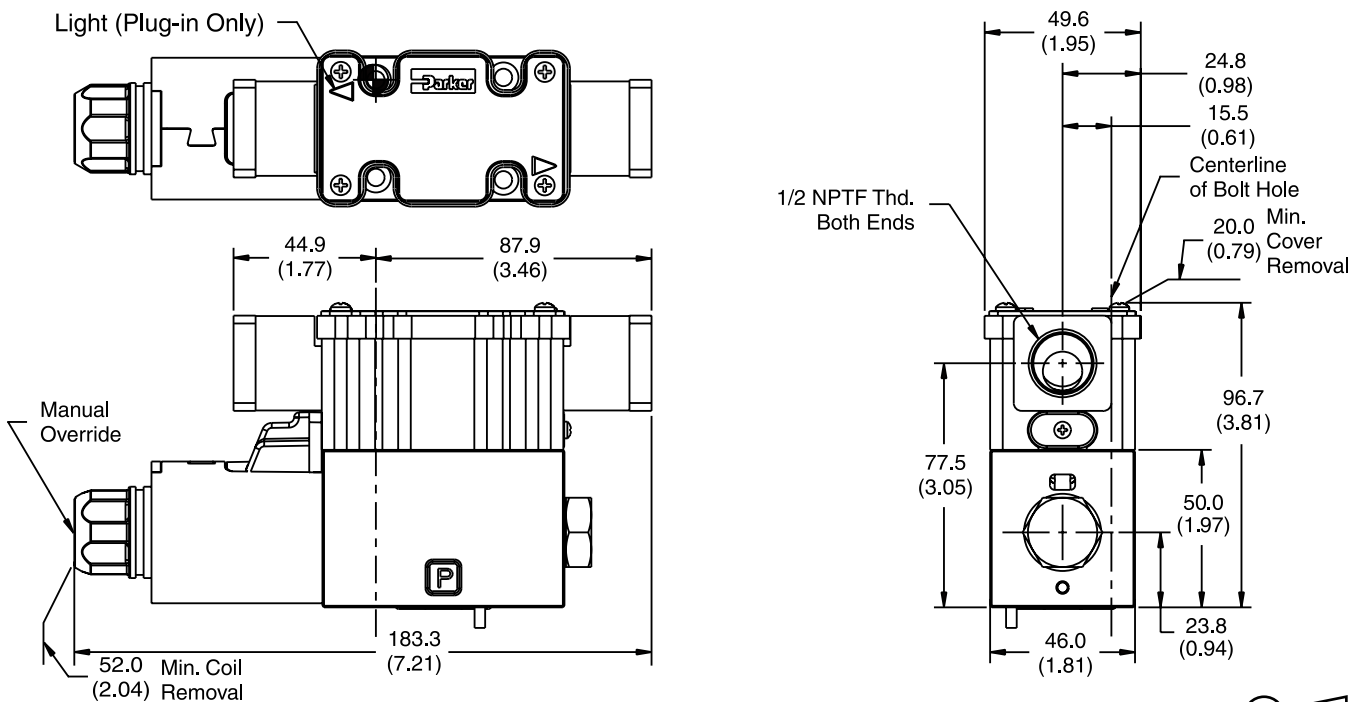
A

**DC Plug-In Conduit Box Connector,
with Lights, Double Solenoid**



Note: 22.0 mm (0.87") from bottom of bolt hole counterbore to bottom of valve.

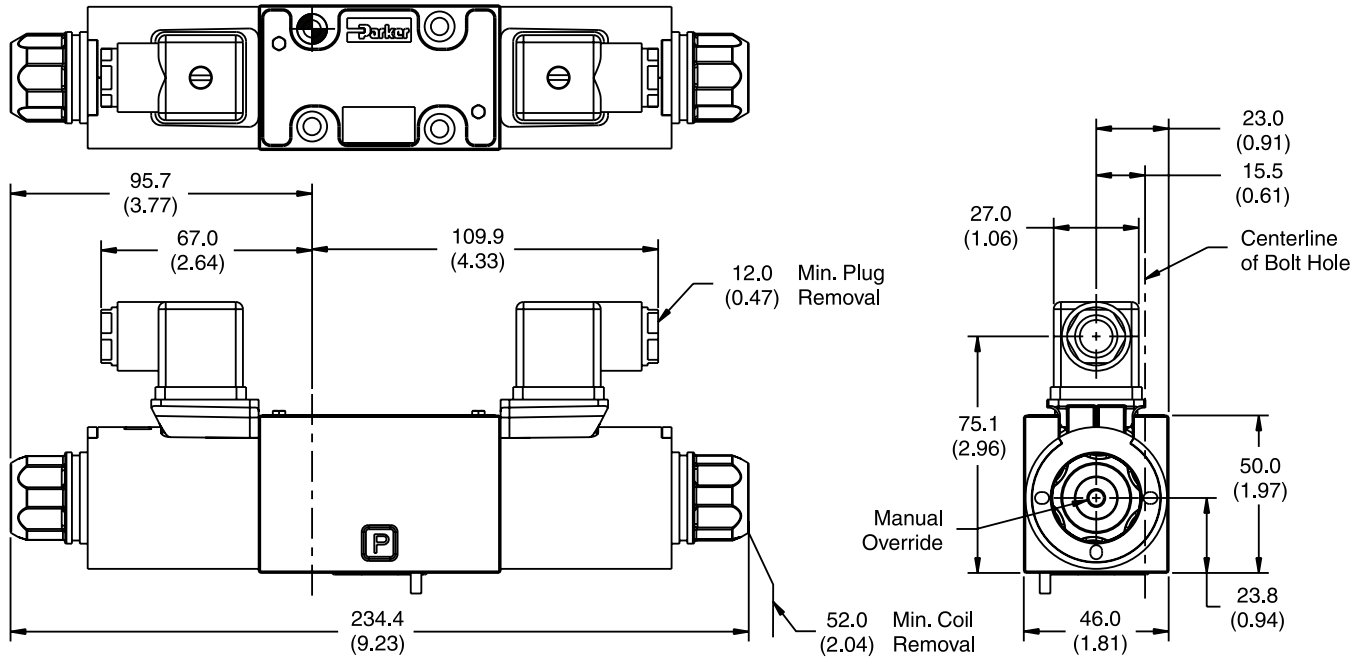
**DC Plug-In or Leadwire Conduit Box Connector,
with or without Lights, Single Solenoid**



Note: 22.0 mm (0.87") from bottom of bolt hole counterbore to bottom of valve.

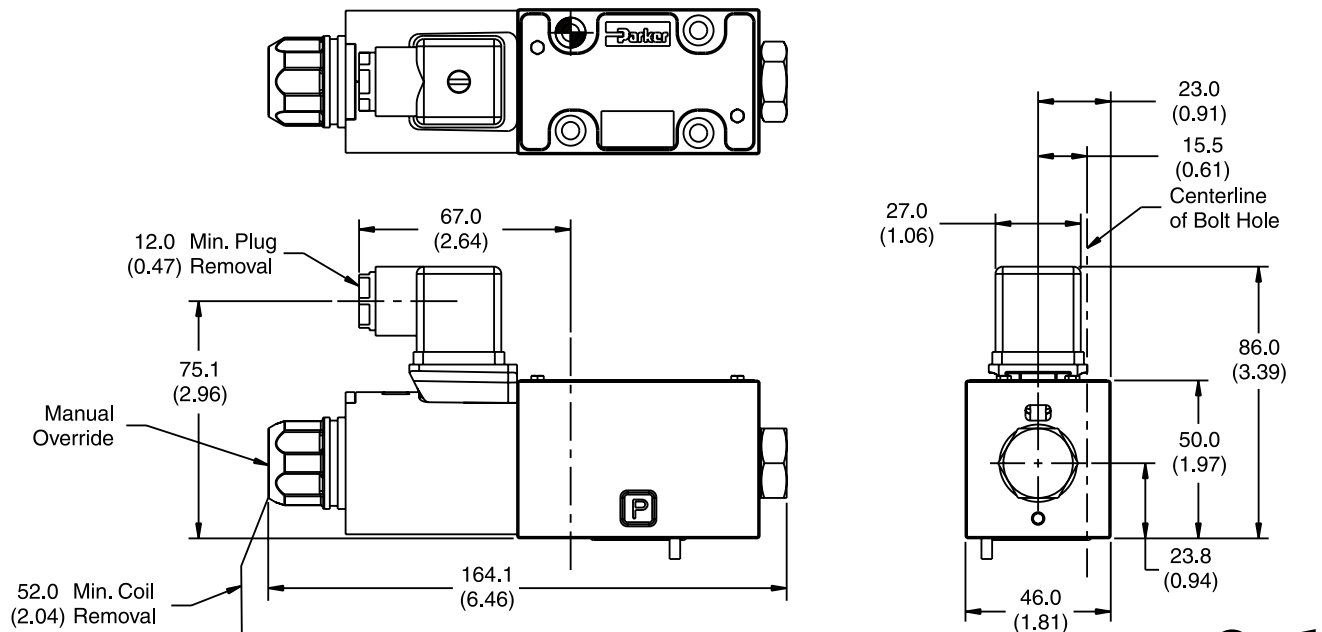
Inch equivalents for millimeter dimensions are shown in (**)

DC DIN with Plug Connector, Double Solenoid
“P” Option Shown



Note: 22.0 mm (0.87") from bottom of bolt hole counterbore to bottom of valve.

DC DIN Connector, Single Solenoid
“P” Option Shown

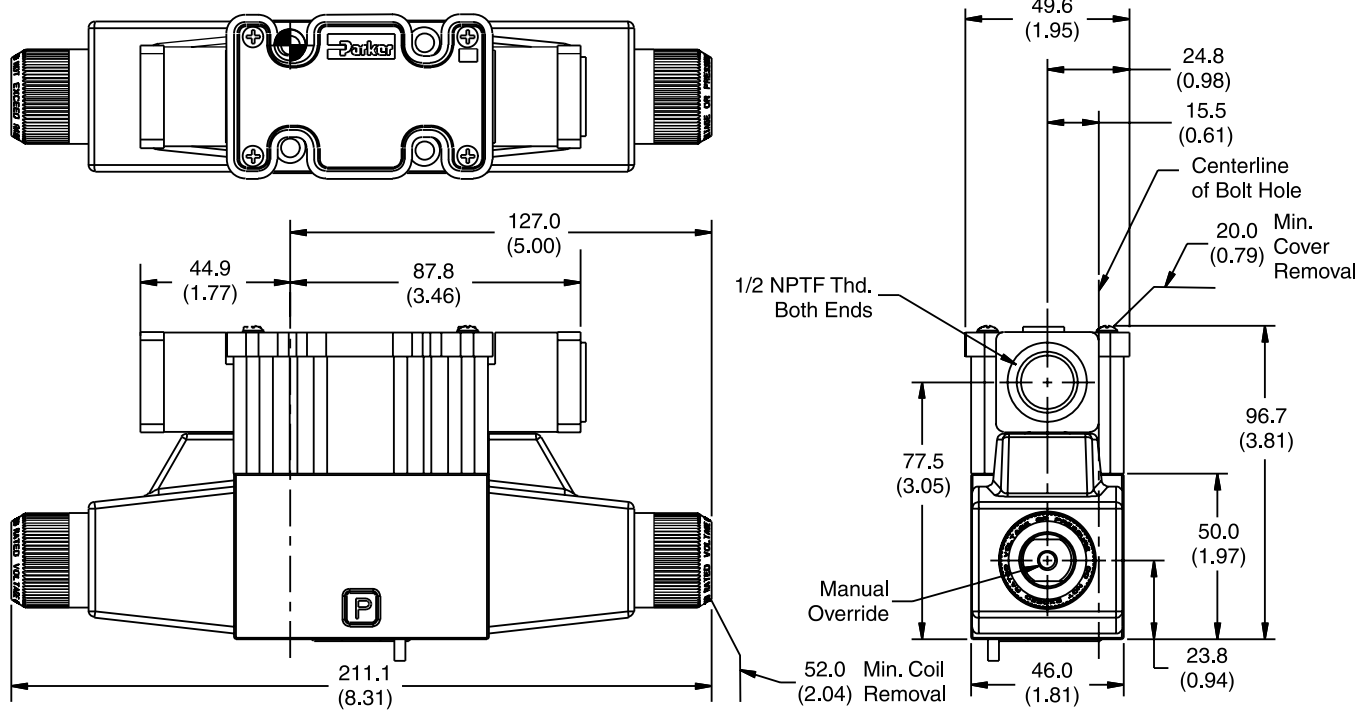


Note: 22.0 mm (0.87") from bottom of bolt hole counterbore to bottom of valve.

Inch equivalents for millimeter dimensions are shown in (**)

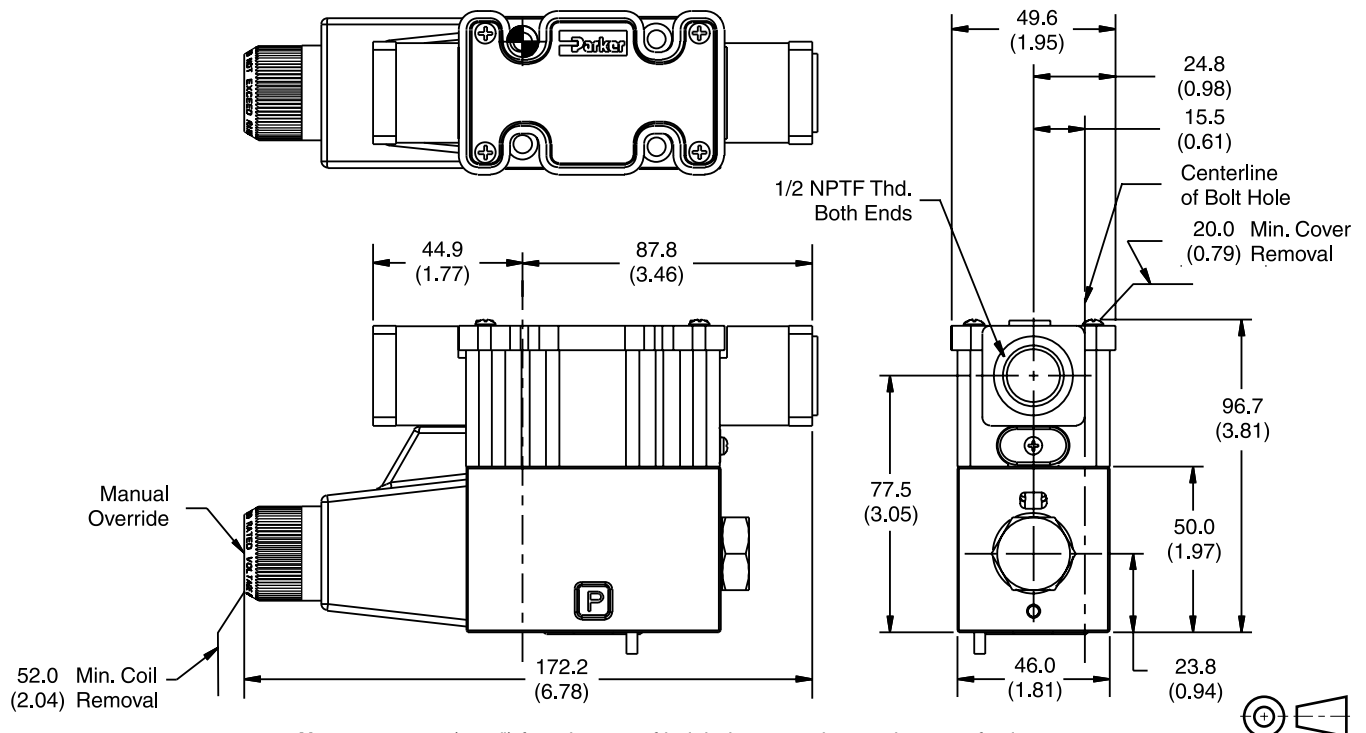
A

AC Leadwire Conduit Box Connector, without Lights, Double Solenoid, "C" Option



Note: 22.0 mm (0.87") from bottom of bolt hole counterbore to bottom of valve.

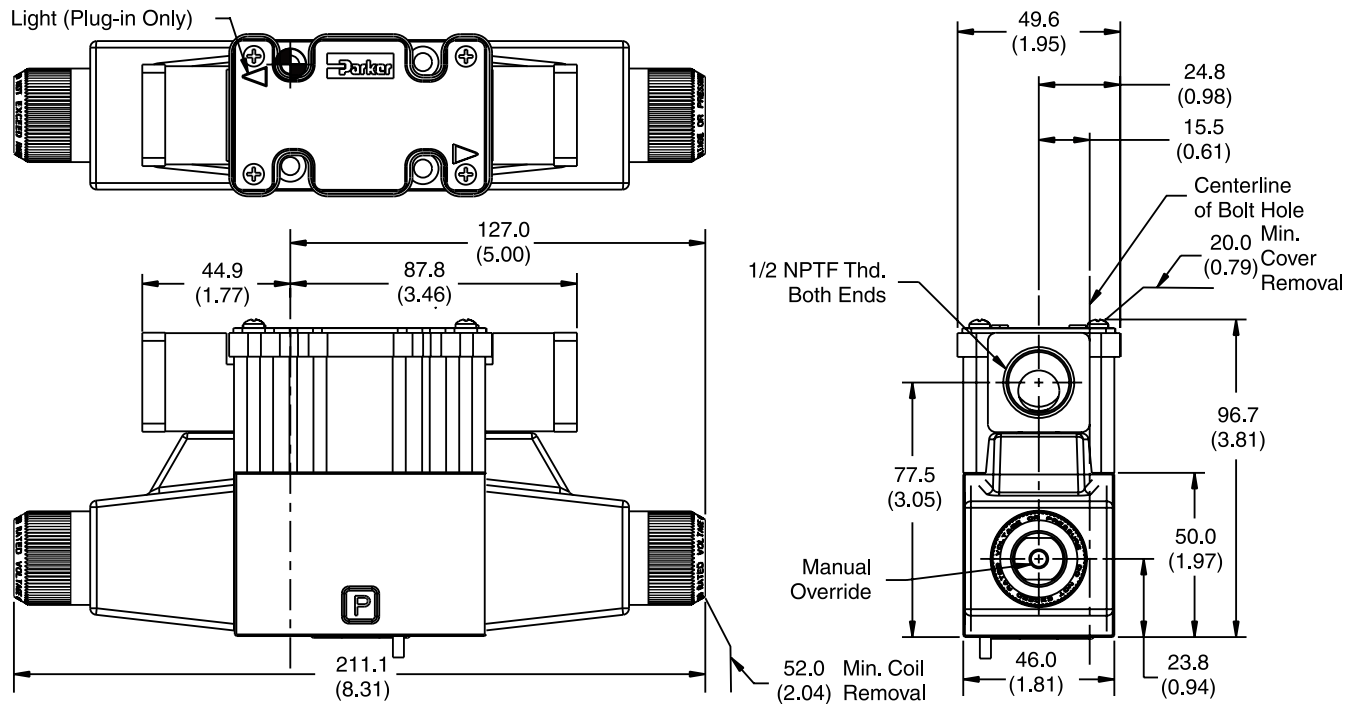
AC Leadwire Conduit Box Connector, without Lights, Single Solenoid, "C" Option



Note: 22.0 mm (0.87") from bottom of bolt hole counterbore to bottom of valve.

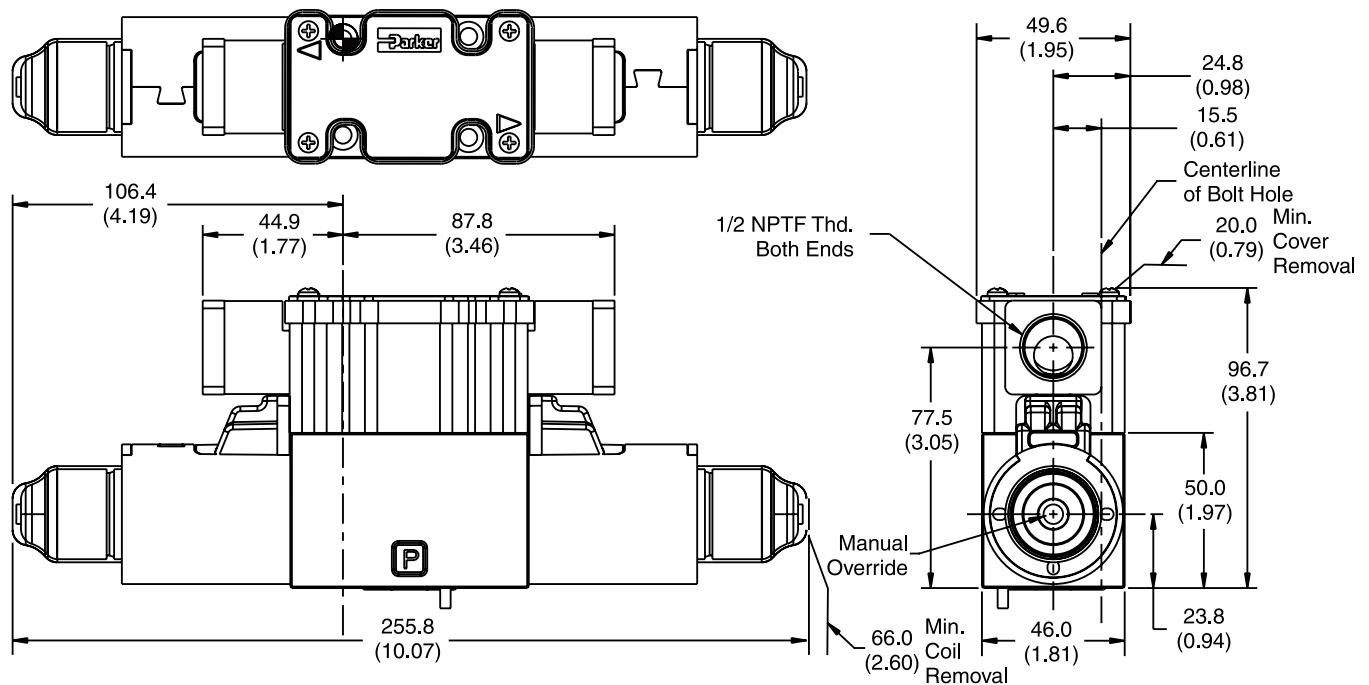
Inch equivalents for millimeter dimensions are shown in (**)

**AC Plug-in Conduit Box Connector,
with Lights, Double Solenoid, "G" Option**



Note: 22.0 mm (0.87") from bottom of bolt hole counterbore to bottom of valve.

**DC Plug-in or Leadwire Conduit Box Connector, with or without Lights
and Extended Override Tubes, Double Solenoid**

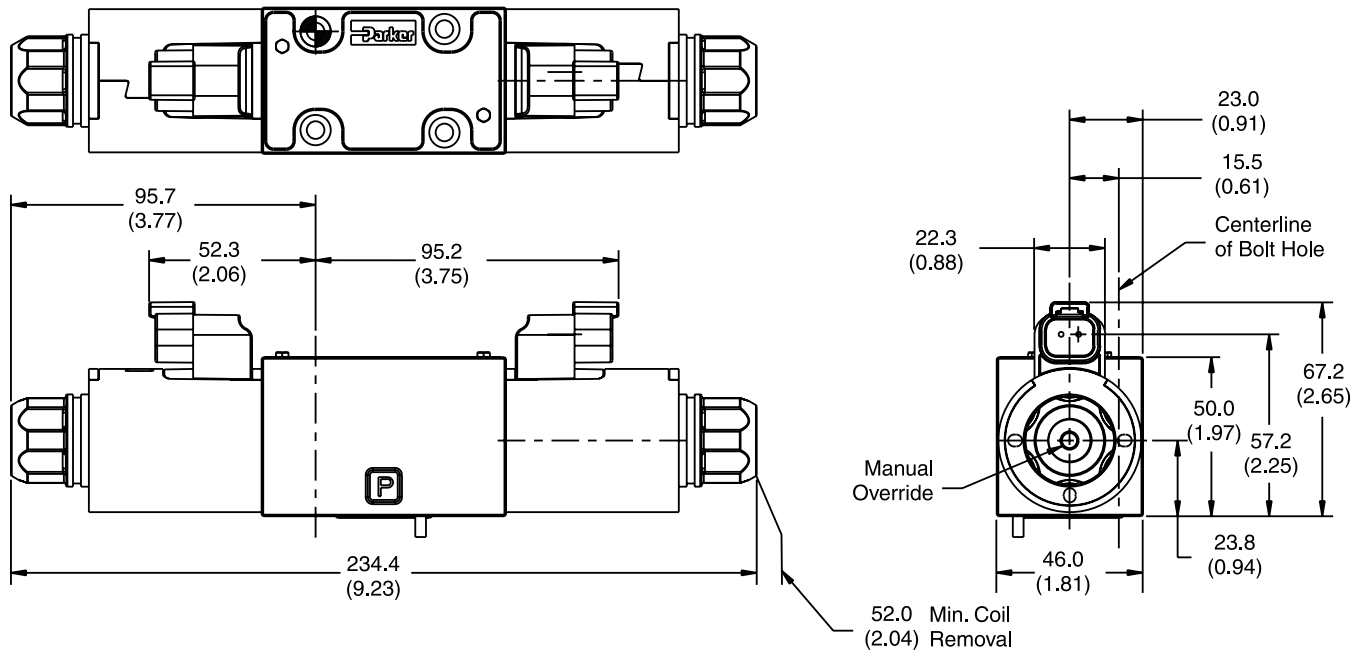


Note: 22.0 mm (0.87") from bottom of bolt hole counterbore to bottom of valve.

Inch equivalents for millimeter dimensions are shown in (**)

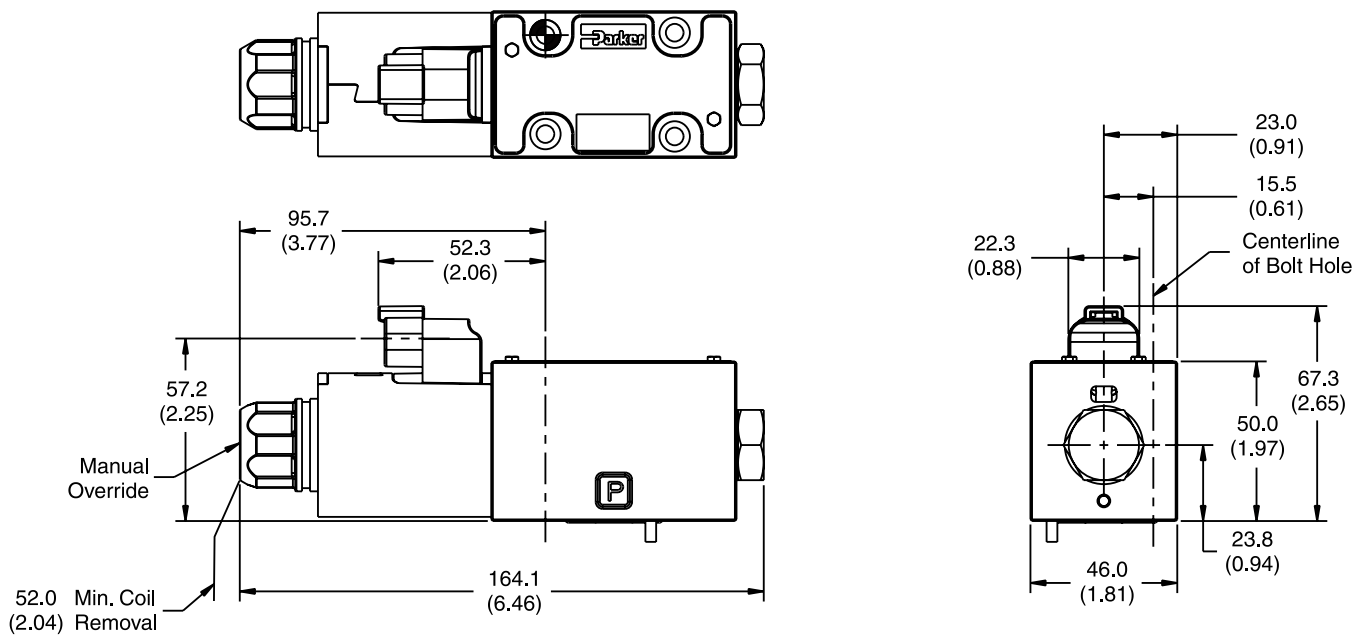
A

DC Deutsch Connector, Double Solenoid

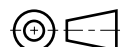


Note: 22.0 mm (0.87") from bottom of bolt hole counterbore to bottom of valve.

DC Deutsch Connector, Single Solenoid

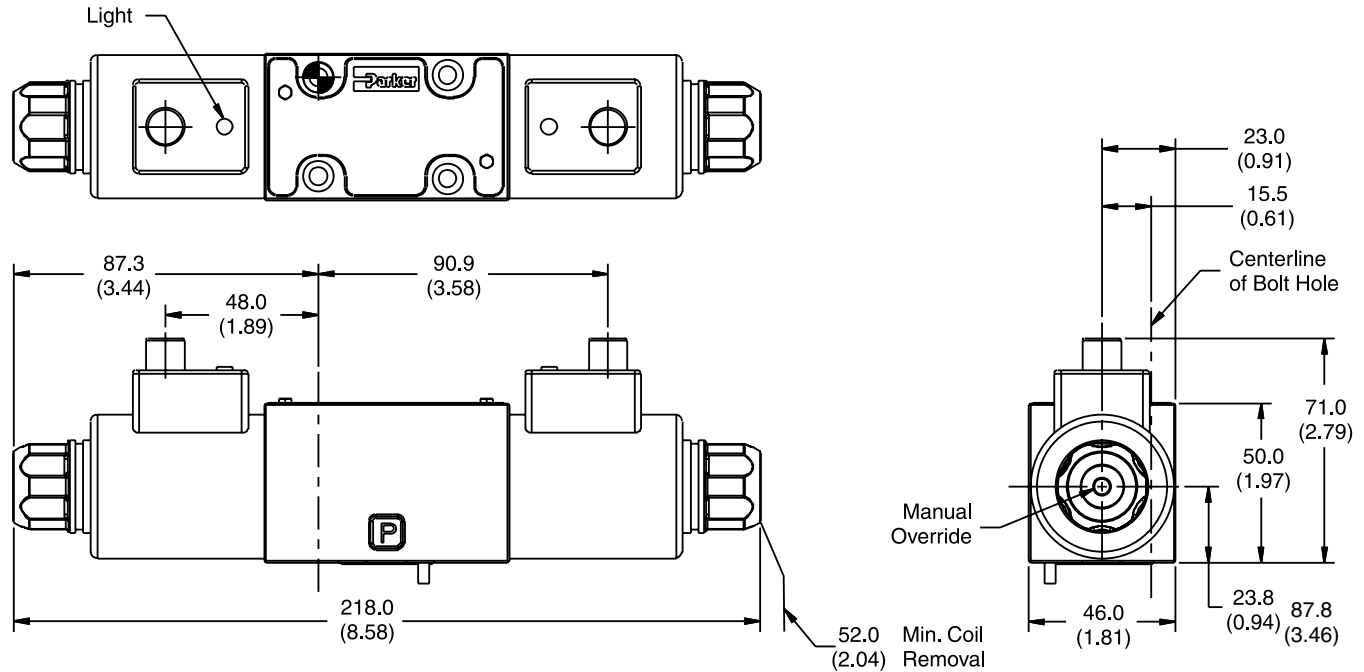


Note: 22.0 mm (0.87") from bottom of bolt hole counterbore to bottom of valve.



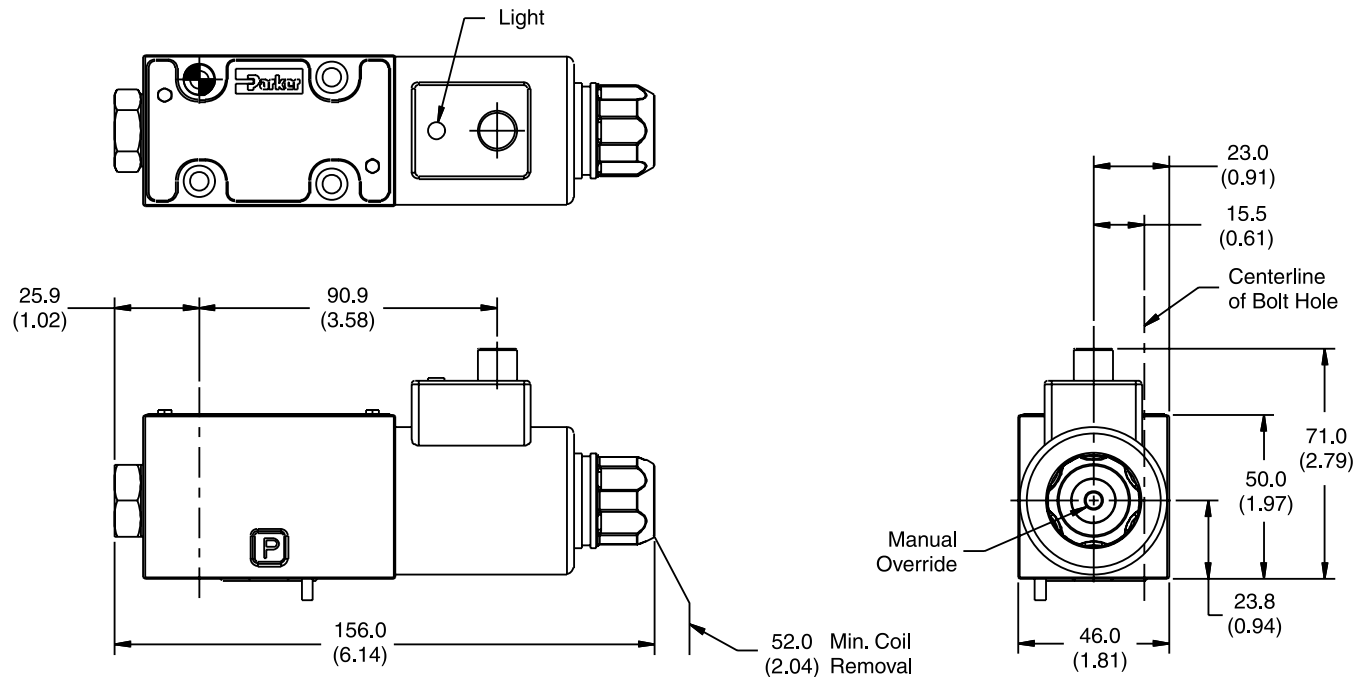
Inch equivalents for millimeter dimensions are shown in (**)

DC Desina Connector, Double Solenoid



Note: 22.0 mm (0.87") from bottom of bolt hole counterbore to bottom of valve.

DC Desina Connector, Single Solenoid

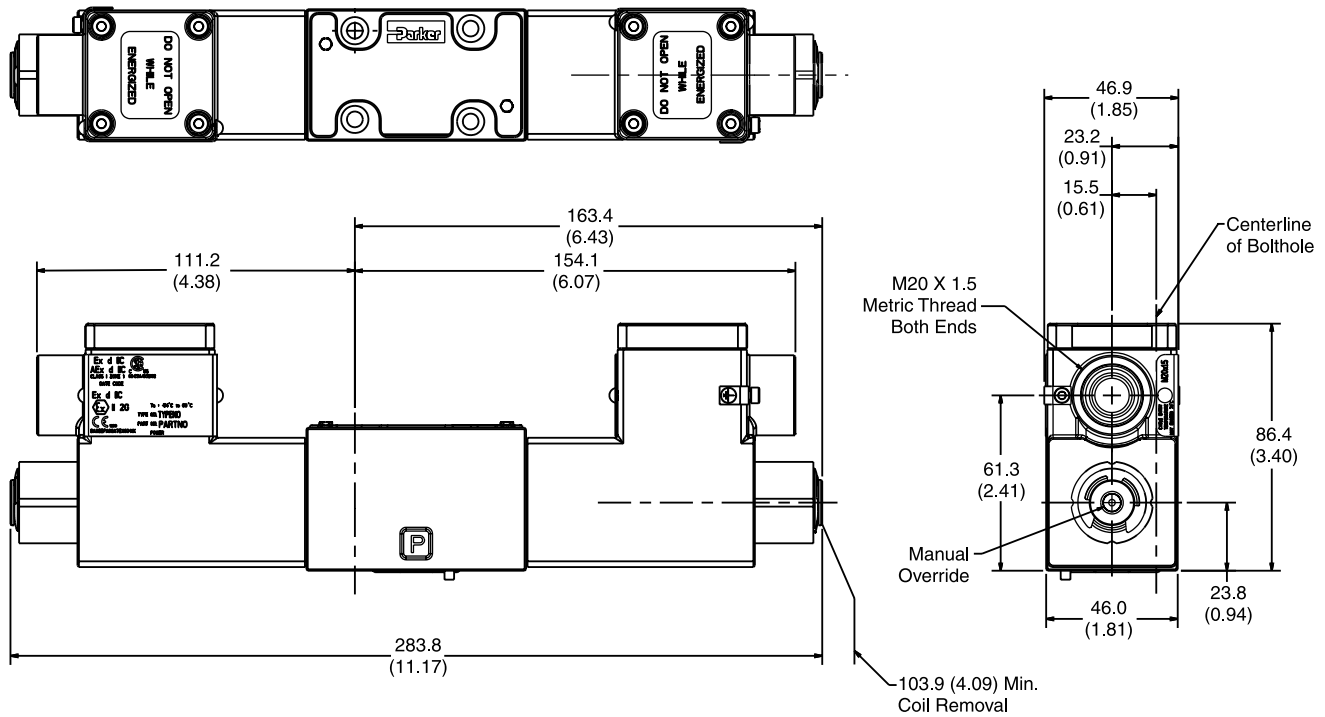


Note: 22.0 mm (0.87") from bottom of bolt hole counterbore to bottom of valve.

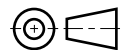
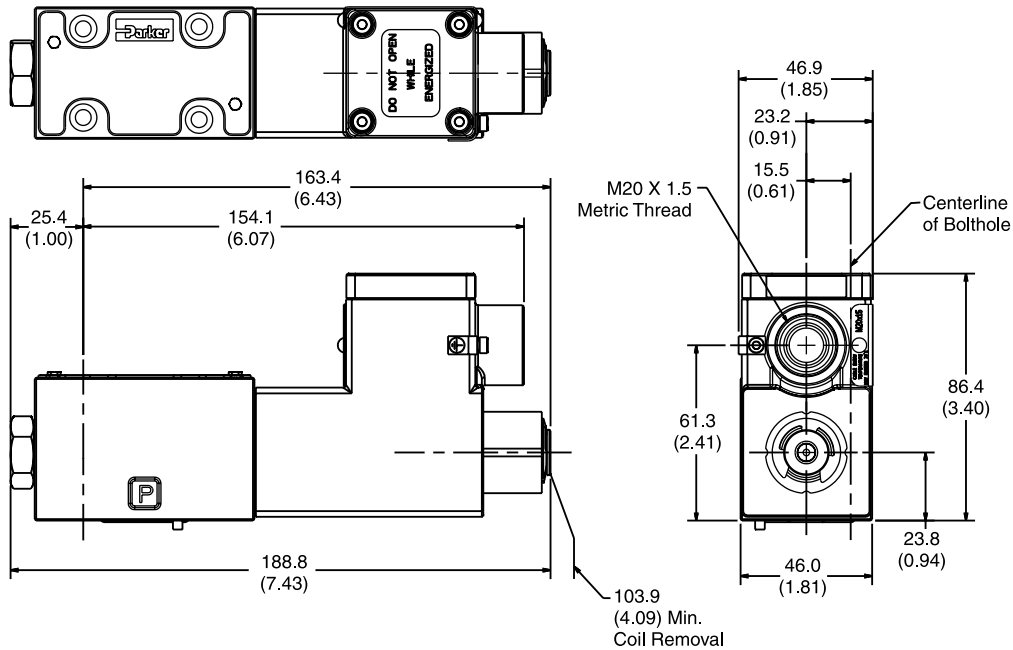
Inch equivalents for millimeter dimensions are shown in (**)

A

Explosion Proof, Ex d IIC ATEX/CSA, Double Solenoid

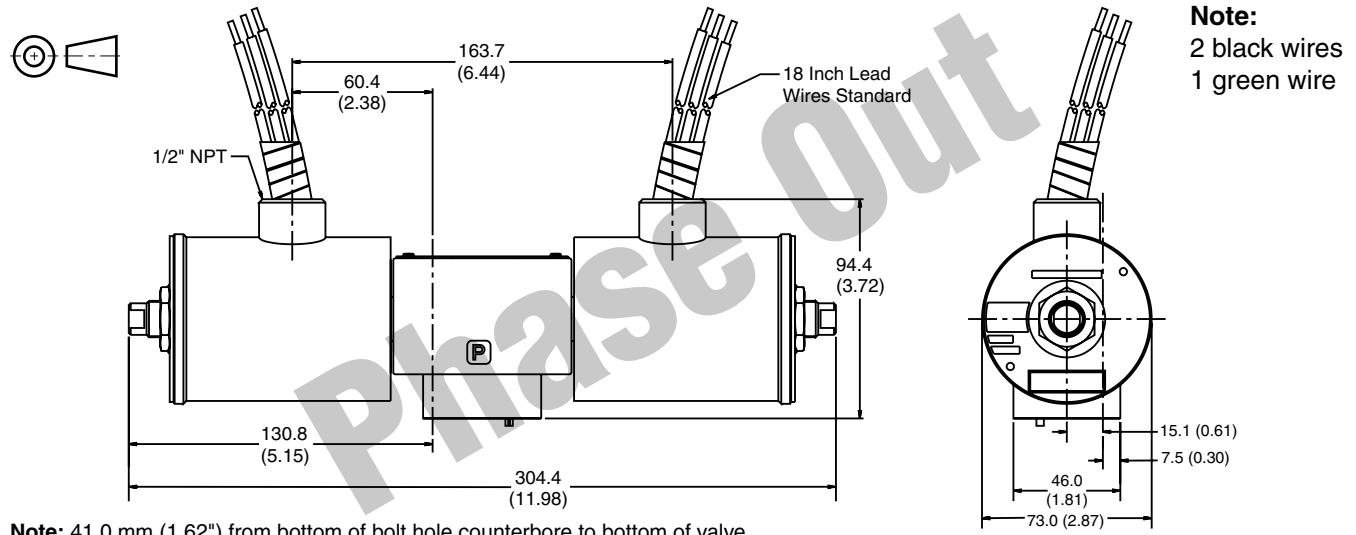


Explosion Proof, Ex d IIC ATEX/CSA, Single Solenoid



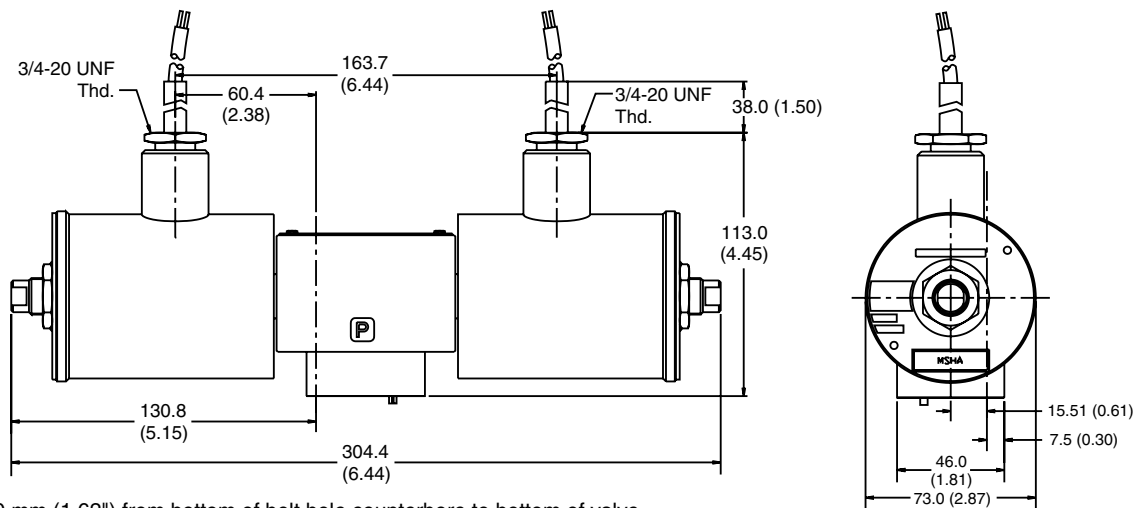
Inch equivalents for millimeter dimensions are shown in (**)

Explosion Proof U.L. & C.S.A., Double Solenoid



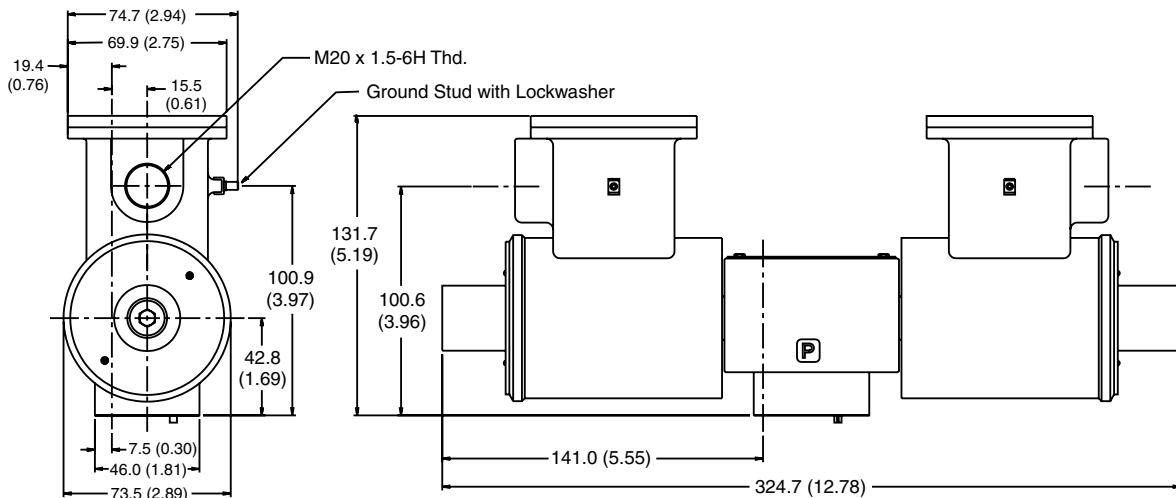
Note: 41.0 mm (1.62") from bottom of bolt hole counterbore to bottom of valve.

Explosion Proof M.S.H.A., Double Solenoid



Note: 41.0 mm (1.62") from bottom of bolt hole counterbore to bottom of valve.

Explosion Proof, EEXD ATEX, Double Solenoid

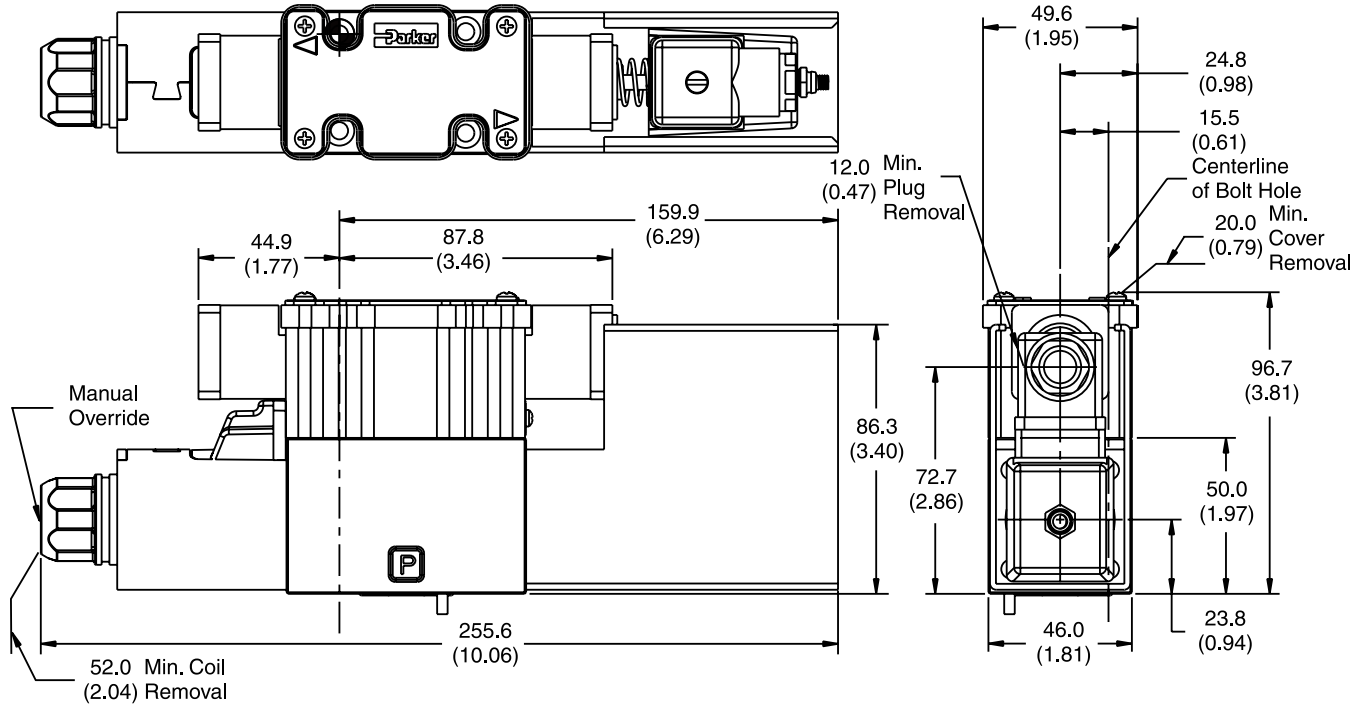


D1.indd, dd

Inch equivalents for millimeter dimensions are shown in (**)

A

**DC Plug-in or Leadwire Conduit Box with Monitor Switch,
with or without Lights, Single Solenoid**



Note: 22.0 mm (0.87") from bottom of bolt hole counterbore to bottom of valve.

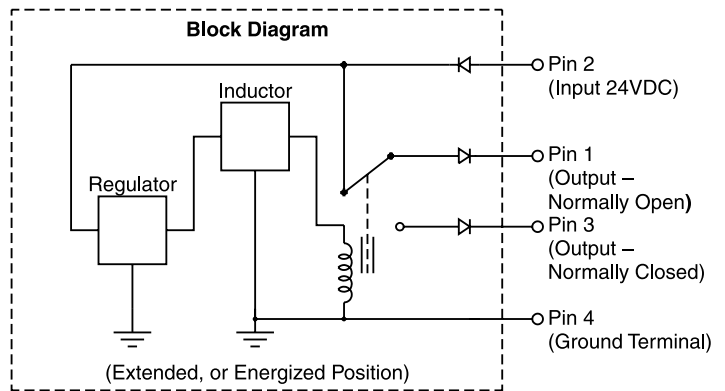
Monitor Switch

(Variation I7 and I8)

This feature provides for electrical confirmation of the spool shift. This can be used in safety circuits, to assure proper sequencing, etc.

Switch Data

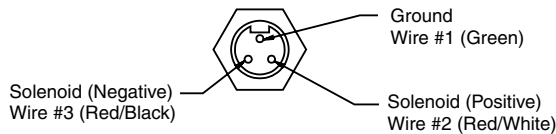
Inductive switch requiring +18-42 volt input. Outputs "A" and "B" are opposite; one at "0" voltage, the other at input voltage. During switching, "A" and "B" outputs reverse. Provides 0.4A switching current.



For repetitive switch power-up conditions, please consult factory.

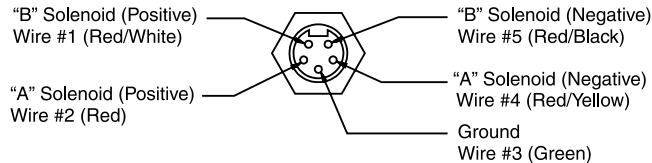
Manaplug (Options 56 & 1C)

- Interface – Brad Harrison Plug
- 3-Pin for Single Solenoid
- 5-Pin for Double Solenoid



3-Pin Manaplug (Mini) with Lights

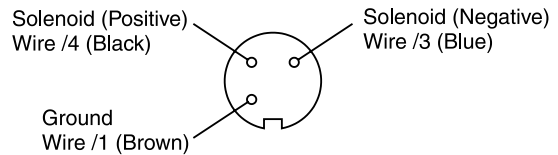
Single Solenoid Valves – Installed Opposite Side of Solenoid



5-Pin Manaplug (Mini) with Lights

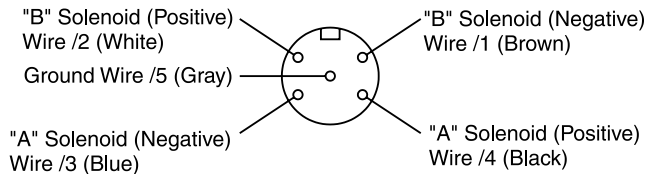
Single Solenoid Valves – Installed Opposite Side of Solenoid
Double Solenoid Valves – Installed Over "A" Solenoid
("A" and "B" Solenoids Reversed for #8 and #9 Spools)

Micro Connector Options (7B & 1D)



3-Pin Manaplug (Micro) with Lights

Single Solenoid Valves – Installed Opposite Side of Solenoid



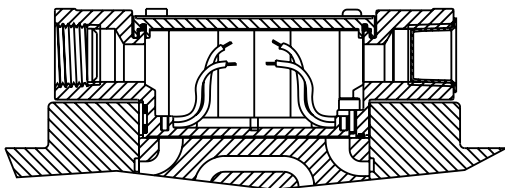
5-Pin Manaplug (Micro) with Lights

Single Solenoid Valves – Installed Opposite Side of Solenoid
Double Solenoid Valves – Installed Over "A" Solenoid
("A" and "B" Solenoids Reversed for #8 and #9 Spools)

Pins are as seen on valve (male pin connectors)

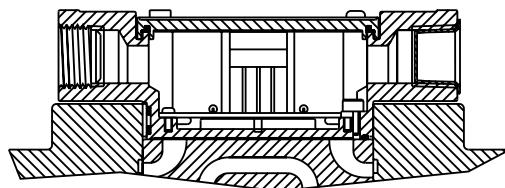
Conduit Box Option C

- No Wiring Options Available



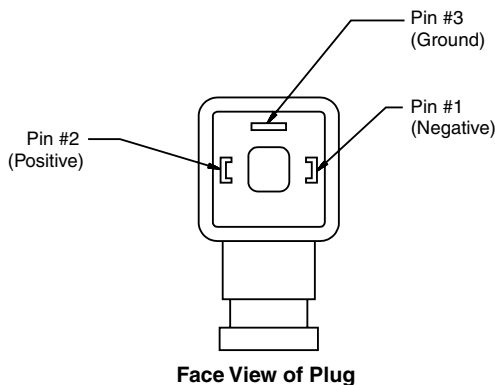
Signal Lights (Option 5) — Plug-in Only

- LED Interface
- Meets Nema 4/IP67



Hirschmann Plug with Lights (Option P5)

ISO 4400/DIN 43650 Form "A"

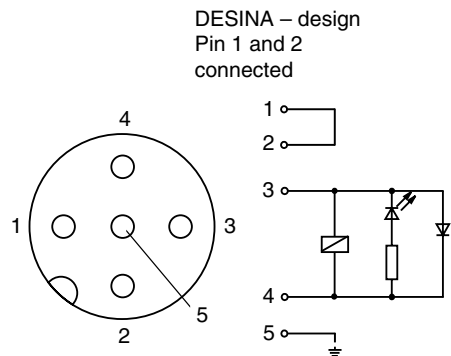


Pins are as seen on valve (male pin connectors)

DESINA Connector (Option D)

**M12 pin assignment
Standard**

- 1 = Not used
- 2 = Not used
- 3 = 0V
- 4 = Signal (24 V)
- 5 = Earth Ground



Mounting Bolt Kits

A

Bolt Kits for use with D1V Directional Control Valves, "ET" Explosion Proof & Sandwich Valves (D1V*-91, 82 & 70/75 Design, Solenoid Operated & D1V*-72 Design, Non-Solenoid Operated)

		Number of Sandwich Valves @40mm (1.58") thickness									
		0		1		2		3		4	
Number of Sandwich Valves at 44.5mm (1.75") Thickness	0	BK209	1.25 in.	BK243	2.88 in.	BK225	4.38 in.	BK244	6.00 in.	BK245	7.50 in.
		BKM209	30 mm	BKM243	70 mm	BKM225	110 mm	BKM244	150 mm	BKM245	190 mm
	1	BK246	3.00 in.	BK247	4.62 in.	BK248	6.12 in.	BK249	7.75 in.		
		BKM246	75 mm	BKM247	115 mm	BKM248	155 mm	BKM249	195 mm		
	2	BK250	4.75 in.	BK251	6.38 in.	BK252	7.88 in.				
		BKM250	120 mm	BKM251	160 mm	BKM252	200 mm				
	3	BK253	6.50 in.	BK254	8.12 in.						
		BKM102	170 mm	BKM254	205 mm						
	4	BK103	8.25 in.								
		BKM103	210 mm								

Note: All bolts are SAE Grade 8, 10-24 UNC 2A thread (Metric-M5-0.8)
 Torque to 5.6 Nm (50 in-Lb).

Bolt Kits for use with D1V Directional Control Valves with Explosion Proof Coils & Sandwich Valves (D1V*-91, 82 & 70/75 Design) Except "ET" Coil

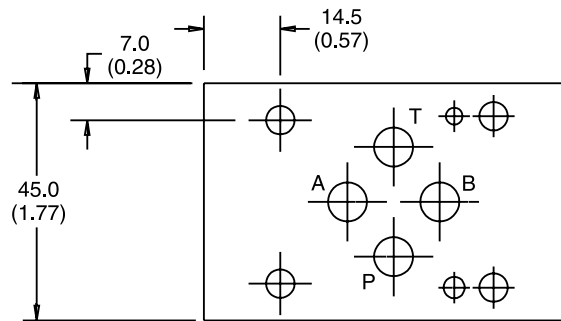
		Number of Sandwich Valves @40mm (1.58") thickness									
		0		1		2		3		4	
Number of Sandwich Valves at 44.5mm (1.75") Thickness	0	BK50	2.00 in.	BK211	3.63 in.	BK101	5.12 in.	BK102	6.75 in.	BK103	8.25 in.
		BKM50	50 mm	—	BKM101	130 mm	BKM102	170 mm	BKM103	210 mm	
	1	BK51	3.75 in.	BK212	5.37 in.	BK105	6.87 in.	BK106	7.75 in.		
		BKM51	95 mm	—	BKM105	180 mm	BKM106	195 mm			
	2	BK52	5.50 in.	BK213	7.13 in.	BK108	8.62 in.				
		BKM52	140 mm	—	BKM108	220 mm					
	3	BK53	7.25 in.	BK214	8.87 in.						
		BKM53	185 mm	—							
	4	BK54	9.00 in.								
		BKM54	230 mm								

Note: All bolts are SAE Grade 8, 10-24 UNC 2A thread (Metric-M5-0.8)
 Torque to 5.6 Nm (50 in-Lb).

Sandwich Valve Dimensional Data

All D03 Sandwich valves (starting with 31 Series) including CM2, CPOM2, FM2, PRDM2 and RM2 measure 40mm (1.58") thickness.

For additional technical information about Sandwich valves, refer to the Sandwich Valve Section of this Catalog.



D1.indd, dd

General Description

Series D1VA and D1VP directional control valves are high performance, 4 and 5-chamber, direct operated, air and oil pilot controlled, 3 or 4-way valves. They are available in 2 or 3-position and conform to NFPA's D03, CETOP 3 mounting patterns.

Features

- Low pilot pressure required.
 D1VA – 4.1 Bar (60 PSI) minimum
 D1VP – 15.2 Bar (220 PSI) minimum

Air Operated

Shift Volume. The air pilot chamber requires a volume of 1.8 cc (.106 in.³) for complete shift from center to end.

Pilot Piston. The pilot piston area is 506 mm² (.785 in.²). Pilot piston stroke is 3.4 mm (.135 in.).

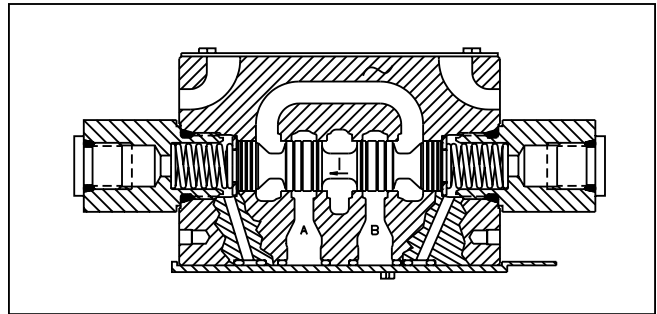
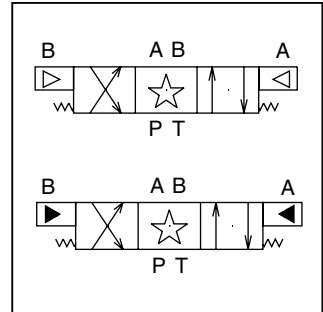
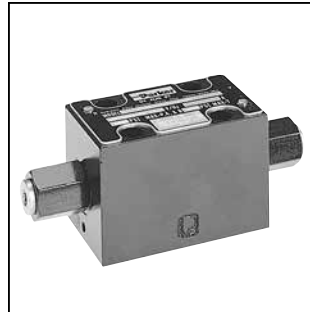
Response Time. Response time will vary with pilot line size, pilot line length, pilot pressure, air control valve shift time and air valve flow capacity (Cv).

Oil Operated

Shift Volume. The hydraulic pilot chamber requires a volume of 0.7 cc (.042 in.³) for complete shift from center to end.

Pilot Piston. The hydraulic piston area is 198 mm² (.307 in.²). Pilot piston stroke is 3.4 mm (.135 in.).

Response Time. Response time will vary with pilot line size, pilot line length, pilot pressure, pilot valve shift time and oil valve flow capacity (GPM).

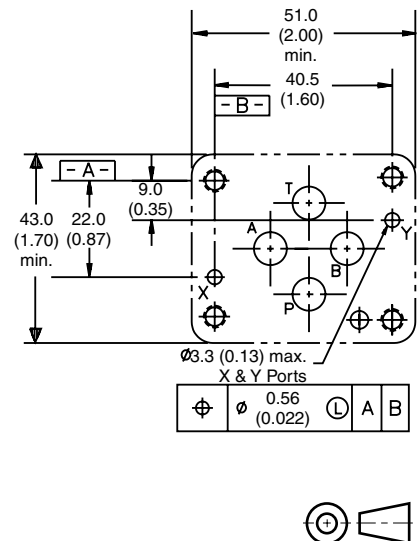
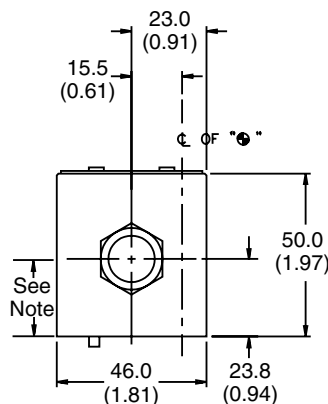
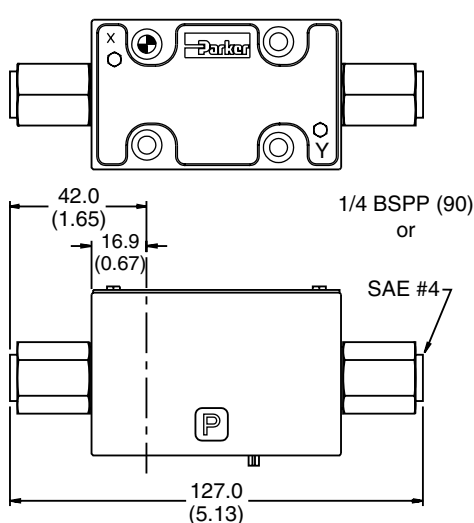


Specifications

Mounting Pattern	NFPA D03, CETOP 3, NG 6
Maximum Pressure	Operating: 345 Bar (5000 PSI) Tank Line: D1VA 34 Bar (500 PSI) D1VP 207 Bar (3000 PSI)
Maximum Flow	See Reference Data
Pilot Pressure	D1VA: Air Minimum 4.1 Bar (60 PSI) Air Maximum 10.2 Bar (150 PSI) D1VP: Oil Minimum 15.2 Bar (220 PSI) Oil Maximum 207 Bar (3000 PSI)

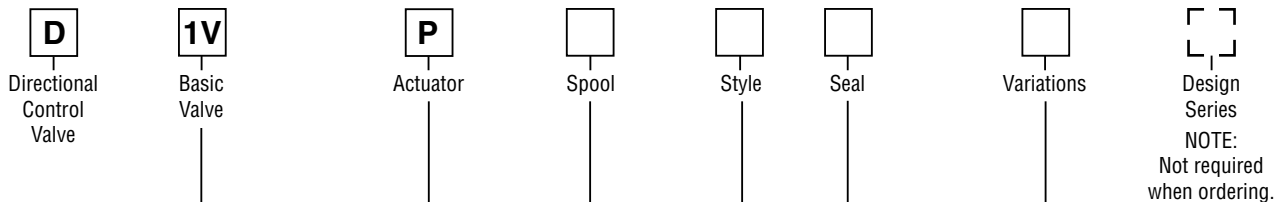
Dimensions – Inch equivalents for millimeter dimensions are shown in (**)

Oil Operated D1VP, Single and Double Pilot



Note: 22.0 mm (0.87") from bottom of bolt hole counterbore to bottom of valve.

A



Code	Description
Omit	Standard
P10*	Monitor Switch
4F	Heavy Duty Detent
90	BSPB Threads

* Not available on C and D styles.
 Not CE or CSA approved.

Code	Description
N	Nitrile
V	Fluorocarbon

Code	Symbol
001	
002	
004	
008*	
009**	
020*	
026*	
030**	
081	
082	

Code	Description	Symbol
B#	Single operator, two position spring offset. P to A and B to T in offset position.	
C	Double operator, three position, spring centered.	
D	Double operator, two position, detent.	
E#	Two position, spring centered. P to B and A to T in shifted position.	
H#	Single operator, two position, spring offset. P to B and A to T in offset position.	
K#	Two position, spring centered. P to A and B to T in shifted position.	

D available with 020 and 030 spools only.
 B & H available with 020, 026 and 030 spools only.
 E & K not available with 020, 026 and 030 spools.

This condition varies with spool code.

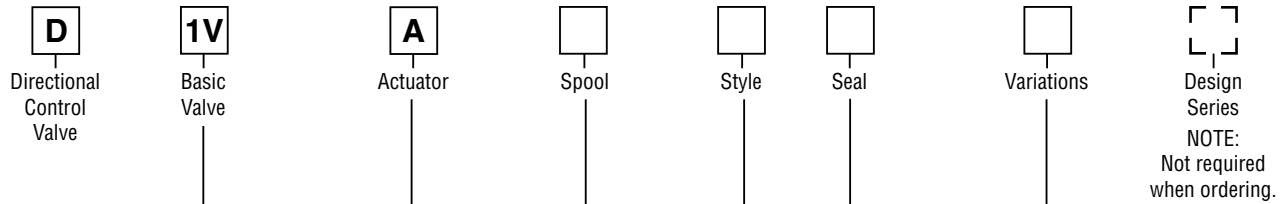
Valve schematic symbols are per NFPA/ANSI standards, providing flow P to A when energizing operator X. Note operators reverse sides for #008 and #009 spools. See installation information for details.

* 008, 020 and 026 spools have closed crossover.
 ** 009 and 030 spools have open crossover.

Valve Weight: 1.90 kg (4.2 lbs.)
Standard Bolt Kit: BK209 10-24x1.25
Metric Bolt Kit: BKM209 M5-0.8x30mm
Seal Kit:
 Nitrile SKD1VP
 Fluorocarbon SKD1VPV

Bold: Designates Tier I products and options.

Non-Bold: Designates Tier II products and options. These products will have longer lead times.



NFPA D03
 CETOP 3

Air
 Operator

Code	Description
Omit	Standard
P10*	Monitor Switch
90	1/4 BSPP Threads

* Not available on C & D styles.
 Not CE or CSA approved.

Code	Description
N	Nitrile
V	Fluorocarbon

Code	Symbol
001	
002	
004	
008*	
009**	
081	
082	

* 008 spool has closed crossover.
 ** 009 spool has open crossover.

Code	Description	Symbol
B	Single operator, two position spring offset. P to A and B to T in offset position.	
C	Double operator, three position, spring centered.	
D	Double operator, two position, detent.	
E	Two position, spring centered. P to B and A to T in shifted position.	
H	Single operator, two position, spring offset. P to B and A to T in offset position.	
K	Two position, spring centered. P to A and B to T in shifted position.	

Valve schematic symbols are per NFPA/ANSI standards, providing flow P to A when energizing operator A. Note operators reverse sides for #008 and #009 spools. See installation information for details.

This condition varies with spool code.

- Valve Weight:** 1.60 kg (3.5 lbs.)
- Standard Bolt Kit:** BK209 10–24x1.25
- Metric Bolt Kit:** BKM209 M5–0.8x30mm
Grade 8 bolts required
- Seal Kit:**
 - Nitrile SKD1VA
 - Fluorocarbon SKD1VAV

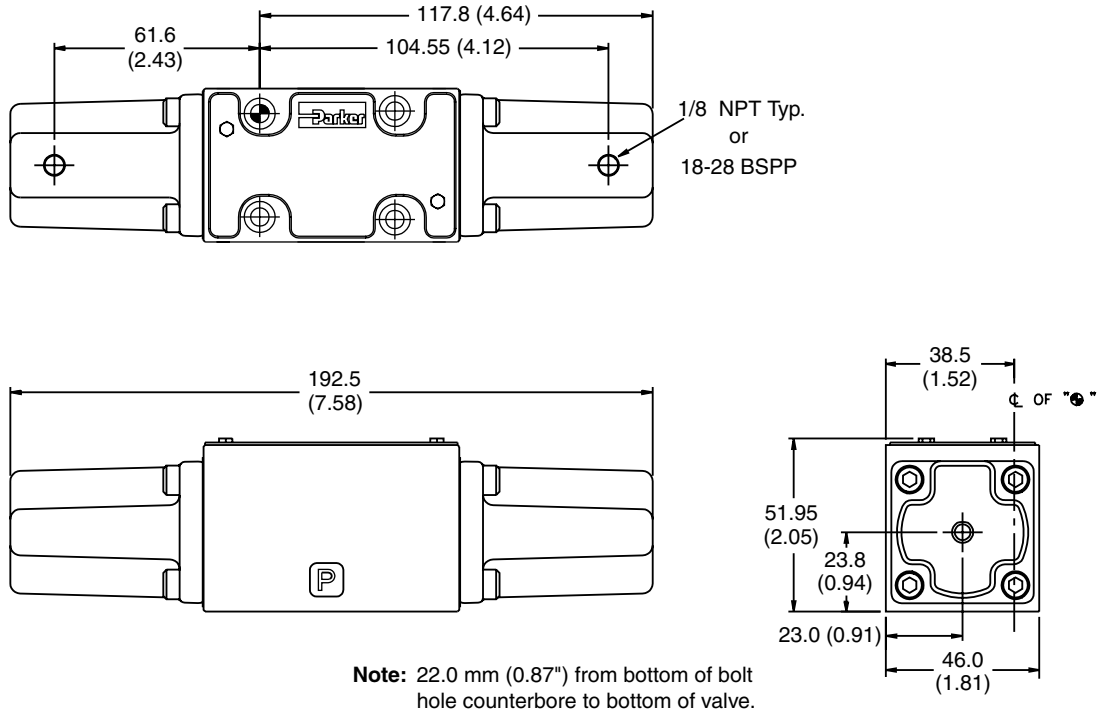
Bold: Designates Tier I products and options.

Non-Bold: Designates Tier II products and options. These products will have longer lead times.

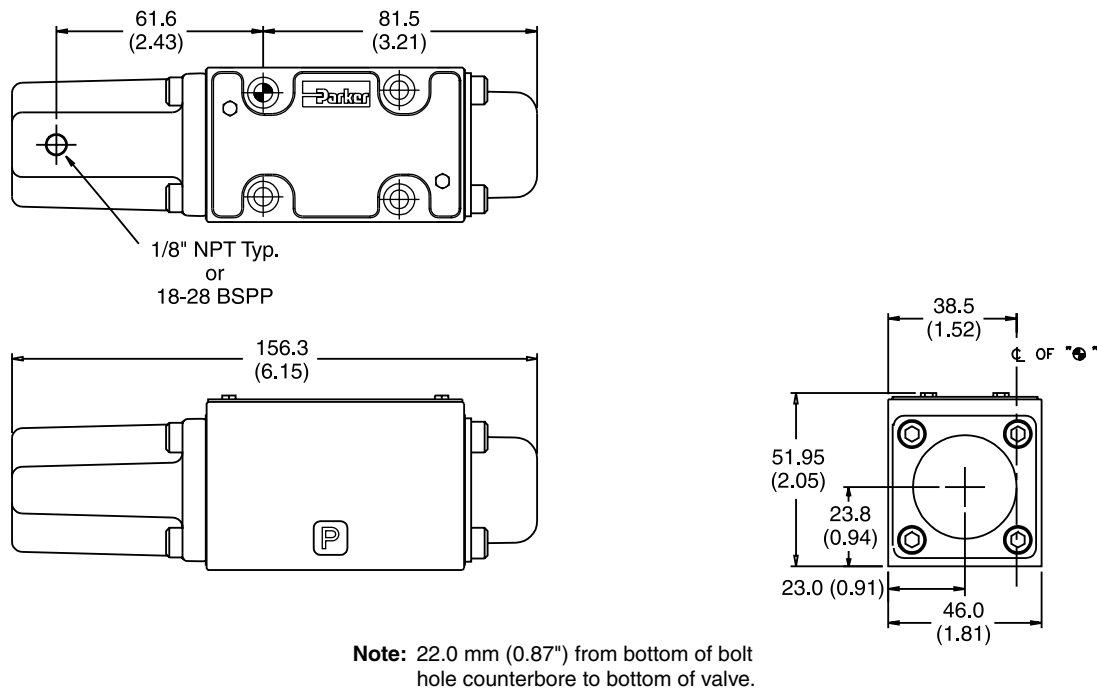
Inch equivalents for millimeter dimensions are shown in (**)

A

Air Operated D1VA, Double Pilot



Air Operated D1VA, Single Pilot



General Description

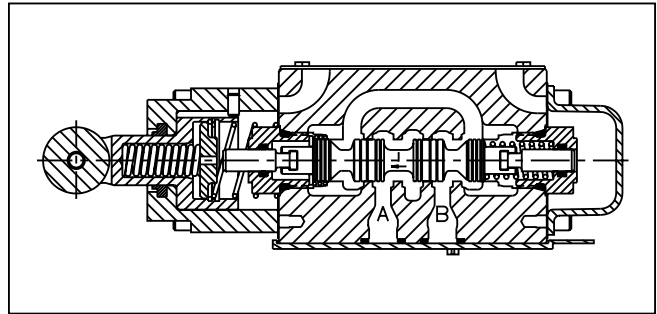
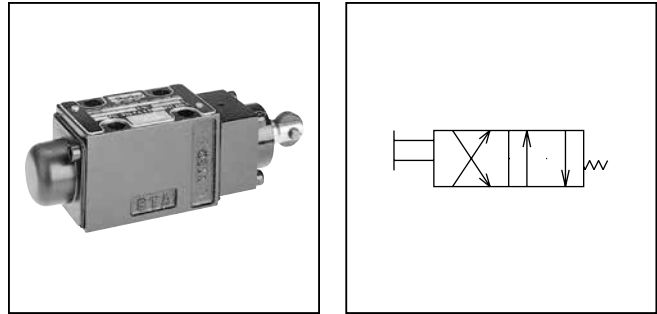
Series D1VC, D1VD and D1VG directional control valves are high performance, 4-chamber, direct operated, cam controlled, 4-way valves. They are available in 2-position and conform to NFPA's D03, CETOP 3 mounting patterns.

Features

- Choice of 2 cam roller positions (D1VC and D1VD)
- Two styles available (D1VC and D1VG)
- Short stroke option

Specifications

Mounting Pattern	NFPA D03, CETOP 3, NG 6
Maximum Pressure	Operating: 345 Bar (5000 PSI) Tank Line: 34 Bar (500 PSI)
Nominal Flow	32 LPM (8.5 GPM)
Maximum Flow	See Reference Data
Force Required to Shift	D1VC, D1VD: 107 N (24 lbs.) D1VG: 36 N (8 lbs.)
Maximum Cam Angle	30°



Ordering Information

<div style="border: 1px solid black; padding: 2px; width: 30px; margin: 0 auto;">D</div> <p>Directional Control Valve</p>	<div style="border: 1px solid black; padding: 2px; width: 30px; margin: 0 auto;">1V</div> <p>Basic Valve</p> <div style="border: 1px solid black; padding: 2px; width: 80px; margin: 5px auto; text-align: center;"> NFPA D03 CETOP 3 </div>	<div style="border: 1px solid black; width: 30px; height: 30px; margin: 0 auto;"></div> <p>Actuator</p>	<div style="border: 1px solid black; width: 30px; height: 30px; margin: 0 auto;"></div> <p>Spool</p>	<div style="border: 1px solid black; width: 30px; height: 30px; margin: 0 auto;"></div> <p>Style</p>	<div style="border: 1px solid black; width: 30px; height: 30px; margin: 0 auto;"></div> <p>Seal</p> <div style="border: 1px solid black; padding: 2px; width: 100px; margin: 5px auto;"> <table border="0"> <tr> <th>Code</th> <th>Description</th> </tr> <tr> <td>N</td> <td>Nitrile</td> </tr> <tr> <td>V</td> <td>Fluorocarbon</td> </tr> </table> </div>	Code	Description	N	Nitrile	V	Fluorocarbon	<div style="border: 1px solid black; width: 30px; height: 30px; margin: 0 auto;"></div> <p>Variations</p> <div style="border: 1px solid black; padding: 2px; width: 100px; margin: 5px auto;"> <table border="0"> <tr> <th>Code</th> <th>Description</th> </tr> <tr> <td>Omit</td> <td>Standard</td> </tr> <tr> <td>P05</td> <td>Short Stroke</td> </tr> <tr> <td>P10*</td> <td>Monitor Switch</td> </tr> </table> <p>* Not CE or CSA approved.</p> </div>	Code	Description	Omit	Standard	P05	Short Stroke	P10*	Monitor Switch	<div style="border: 1px dashed black; width: 30px; height: 30px; margin: 0 auto;"></div> <p>Design Series</p> <p>NOTE: Not required when ordering.</p>																	
Code	Description																																					
N	Nitrile																																					
V	Fluorocarbon																																					
Code	Description																																					
Omit	Standard																																					
P05	Short Stroke																																					
P10*	Monitor Switch																																					
<div style="border: 1px solid black; padding: 5px; margin-top: 10px;"> <table border="0"> <thead> <tr> <th>Code</th> <th>Description</th> </tr> </thead> <tbody> <tr> <td>C</td> <td>Cam (90° to mounting surface)</td> </tr> <tr> <td>D</td> <td>Cam parallel to mounting surface</td> </tr> <tr> <td>G</td> <td>Cam Lever</td> </tr> </tbody> </table> </div>		Code	Description	C	Cam (90° to mounting surface)	D	Cam parallel to mounting surface	G	Cam Lever	<div style="border: 1px solid black; padding: 5px; margin-top: 10px;"> <table border="0"> <thead> <tr> <th>Code</th> <th>Symbol</th> </tr> </thead> <tbody> <tr> <td>001</td> <td></td> </tr> <tr> <td>002</td> <td></td> </tr> <tr> <td>004</td> <td></td> </tr> <tr> <td>008*</td> <td></td> </tr> <tr> <td>009†</td> <td></td> </tr> <tr> <td>081</td> <td></td> </tr> <tr> <td>082</td> <td></td> </tr> </tbody> </table> <p>* 008 spool has closed crossover. † 009 spool has open crossover.</p> </div>		Code	Symbol	001		002		004		008*		009†		081		082		<div style="border: 1px solid black; padding: 5px; margin-top: 10px;"> <table border="0"> <thead> <tr> <th>Code</th> <th>Description</th> <th>Symbol</th> </tr> </thead> <tbody> <tr> <td>B</td> <td>Two position, spring offset operator at "A" port end.</td> <td></td> </tr> <tr> <td>H</td> <td>Two position, spring offset operator at "B" port end.</td> <td></td> </tr> </tbody> </table> <p>Valve schematic symbols are per NFPA/ANSI standards, providing flow P to A when energized. Note flow paths reverse sides for #008 and #009 spools.</p> </div>		Code	Description	Symbol	B	Two position, spring offset operator at "A" port end.		H	Two position, spring offset operator at "B" port end.	
Code	Description																																					
C	Cam (90° to mounting surface)																																					
D	Cam parallel to mounting surface																																					
G	Cam Lever																																					
Code	Symbol																																					
001																																						
002																																						
004																																						
008*																																						
009†																																						
081																																						
082																																						
Code	Description	Symbol																																				
B	Two position, spring offset operator at "A" port end.																																					
H	Two position, spring offset operator at "B" port end.																																					
<p>Valve Weight: Type C & D 1.44 kg (3.2 lbs.) Type G 1.6 kg (3.7 lbs.)</p> <p>Standard Bolt Kit: BK209 1-24x1.25</p> <p>Metric Bolt Kit: BKM209 M5-0.8x30mm</p> <p>Seal Kit: Nitrile SKD1VC Fluorocarbon SKD1VCV</p>																																						

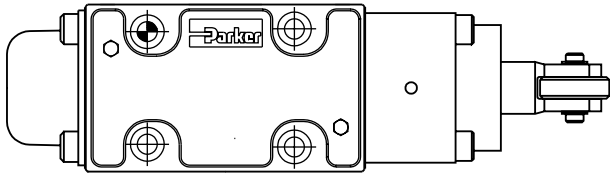
Bold: Designates Tier I products and options.

Non-Bold: Designates Tier II products and options. These products will have longer lead times.

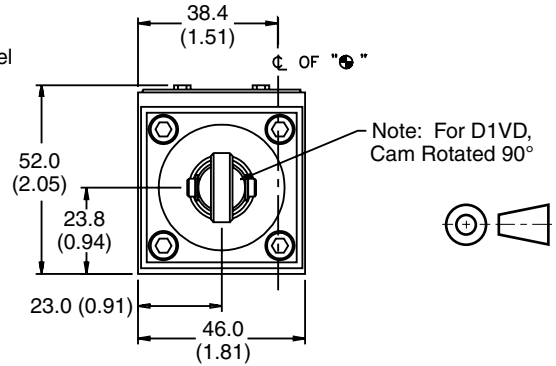
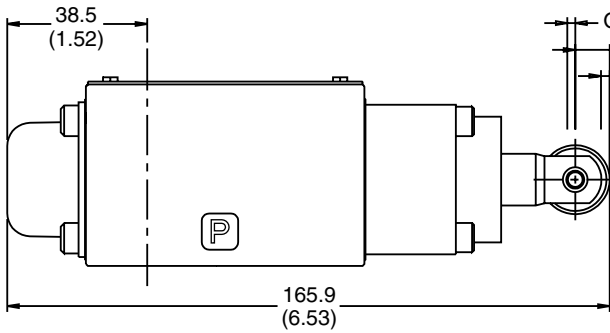
Inch equivalents for millimeter dimensions are shown in (**)

A

Cam Operated D1VC and D1VD



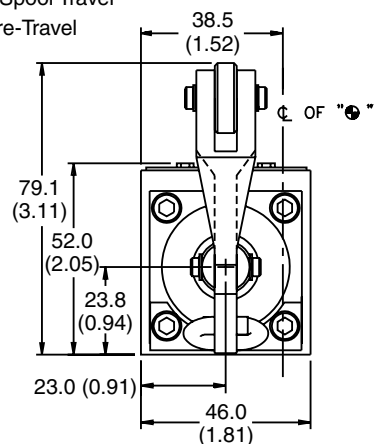
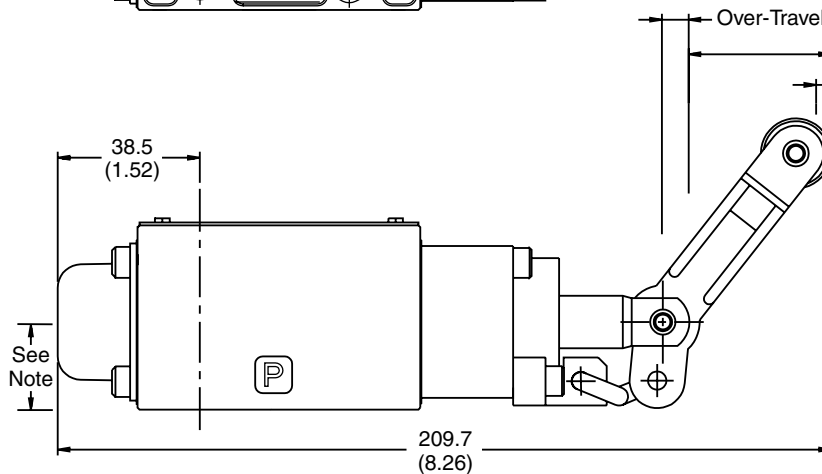
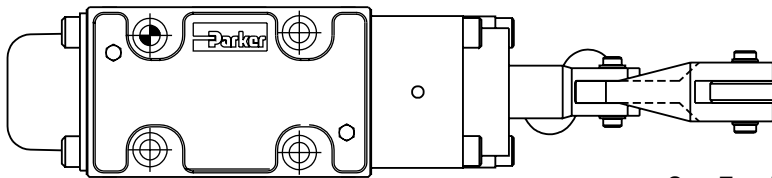
Valve Type	Pre-Travel	Full Spool Travel	Over-Travel
Standard Valve	2.00 (0.079)	9.06 (0.357)	2.03 (0.080)
P05 Short Stroke	0 (0)	7.06 (0.278)	4.03 (0.159)



Note: 22.0 mm (0.87") from bottom of bolt hole counterbore to bottom of valve.

Cam Lever Operated D1VG

Valve Type	Pre-Travel	Full Spool Travel	Over-Travel
Standard Valve	6.95 (0.27)	39.63 (1.56)	10.00 (0.39)
P05 Short Stroke	0 (0)	30.12 (1.19)	18.40 (0.72)



Note: 22.0 mm (0.87") from bottom of bolt hole counterbore to bottom of valve.

General Description

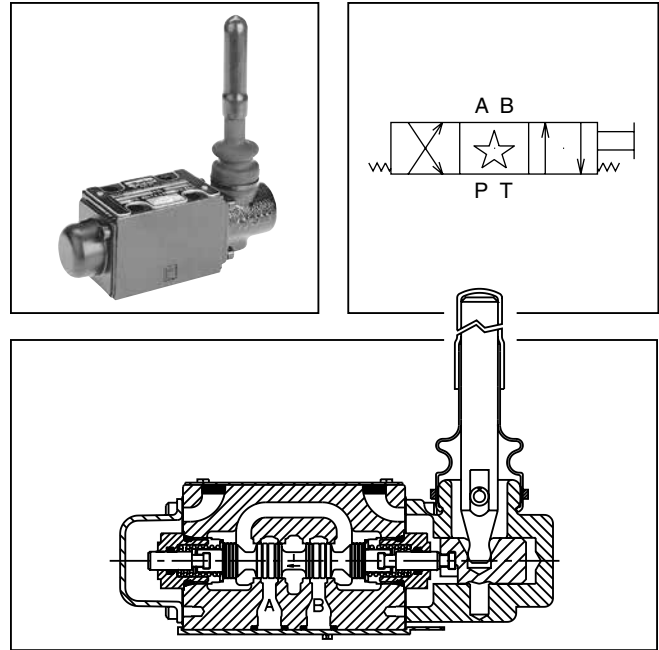
Series D1VL directional control valves are high-performance, 4-chamber, direct operated, lever controlled, 4-way valves. They are available in 2 or 3-position and conform to NFPA's D03, CETOP 3 mounting patterns.

Features

- Spring return or detent styles available
- Heavy duty handle design

Specifications

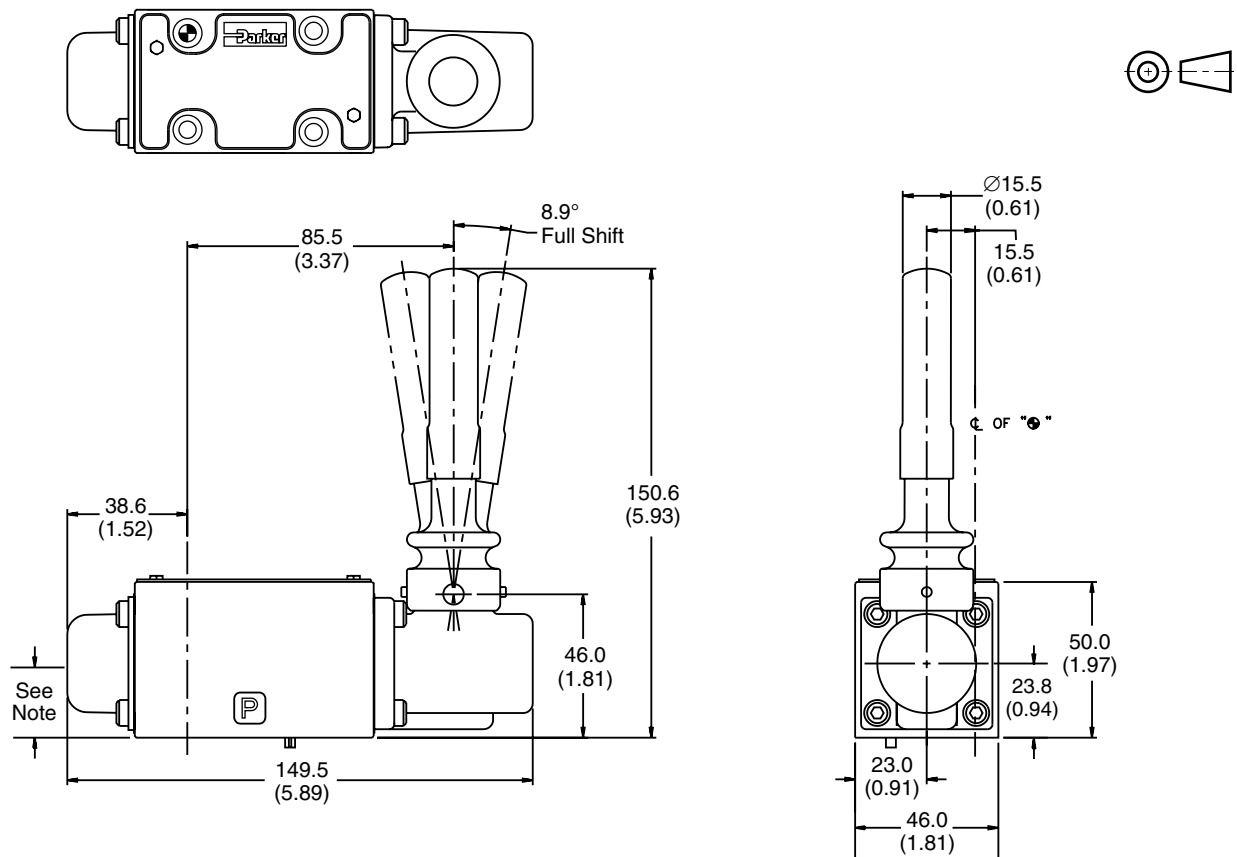
Mounting Pattern	NFPA D03, CETOP 3, NG 6
Maximum Pressure	Operating: 345 Bar (5000 PSI) Tank Line: 34 Bar (500 PSI)
Maximum Flow	See Reference Data
Force Required to Shift Lever Operator	25 N (5.6 lbs)



Dimensions

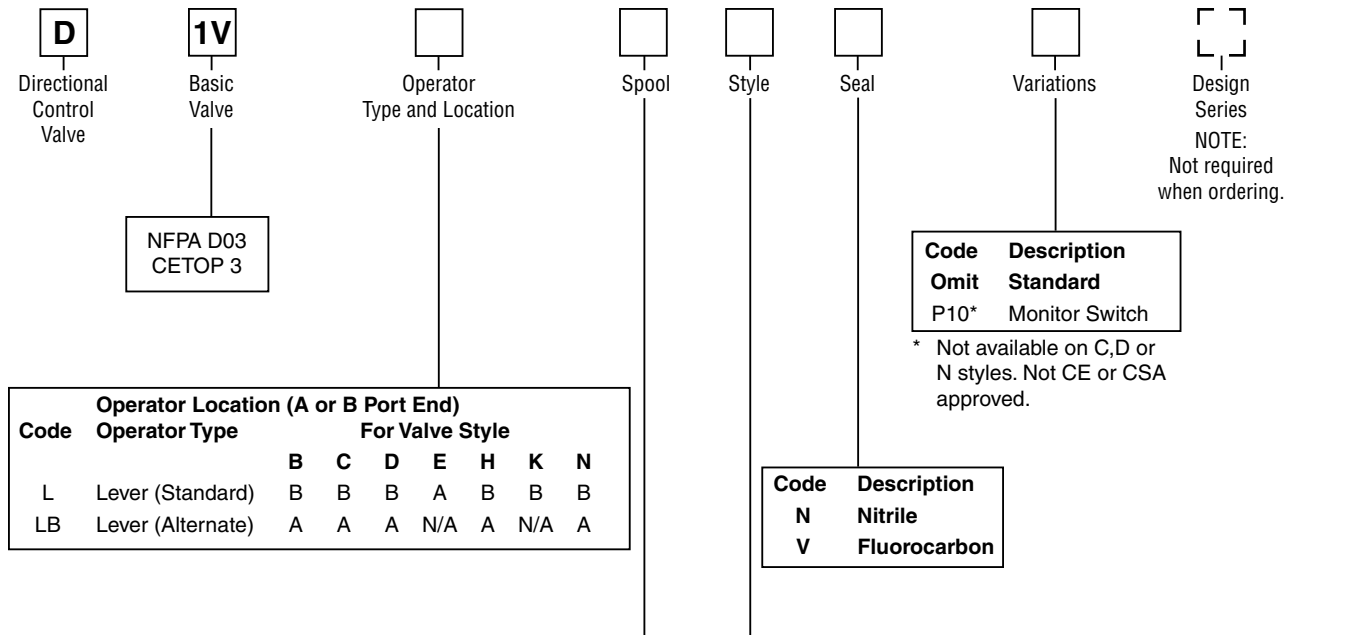
Inch equivalents for millimeter dimensions are shown in (**)

Lever Operated D1VL



Note: 22.0 mm (0.87") from bottom of bolt hole counterbore to bottom of valve.

D1.indd, dd



Code	Symbol
001	
002	
004	
008*	
009†	
081*	
082	

* 008 and 081 spools have closed crossover.
 † 009 has open crossover.

Code	Description	Symbol
B	Two position, spring offset. P to A and B to T in offset position.	
C	Three position, spring centered.	
D	Two position, detent.	
E	Two position, spring centered. P to B and A to T in shifted position.	
H	Two position, spring offset. P to B and A to T in offset position.	
K	Two position, spring centered. P to A and B to T in shifted position.	
N	Three position, detent.	

This condition varies with spool code.

Valve schematic symbols are per NFPA/ANSI standards, providing flow P to A when energizing operator A. Note flow paths reverse sides for #008 and #009 spools in three position valves.

Valve Weight: 1.60 kg (3.5 lbs.)
Standard Bolt Kit: BK209 10-24x1.25
Metric Bolt Kit: BKM209 M5-0.8x30mm Grade 8 bolts required

Seal Kit:
 Nitrile SKD1VL
 Fluorocarbon SKD1VLV

Bold: Designates Tier I products and options.

Non-Bold: Designates Tier II products and options. These products will have longer lead times.

Fluid Recommendations

Premium quality hydraulic oil with a viscosity range between 32-54 cst. (150-250 SSU) at 38°C (100°F) is recommended. The absolute operation viscosity range is from 16-220 cst. (80-1000 SSU). Oil should have maximum anti-wear properties and rust and oxidation treatments.

Fluids and Seals

Valves using synthetic, fire-resistant fluids require special seals. When phosphate ester or its blends are used, FLUOROCARBON seals are required. Water-glycol, (95/5) water-in-oil emulsions, and petroleum oil may be used with NITRILE seals.

Temperature Recommendation

Recommended oil temperature:

-29°C to +71°C (-20°F to +160°F)

Ambient temperature:

AC High Watt ambient temperature cannot exceed 60°C (140°F).

DC High Watt, DC Low Watt and AC Low Watt ambient temperature cannot exceed 71°C (160°F).

Filtration

For maximum valve and system component life, the system should be protected at a contamination level not to exceed 125 particles greater than 10 microns per milliliter of fluid. (SAE Class 4 or better, ISO Code 16/13).

Tank Line Surges

If several valves are piped with a common tank line, flow surges in the line may cause unexpected spool shift. Detent style valves are most susceptible to this. Separate tank lines should be used when line surges are expected in an application.

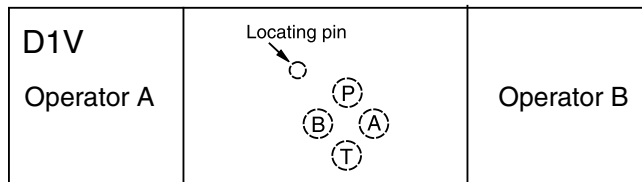
Recommended Mounting Position

Valve Type	Recommended Mounting Position
Detent (Solenoid)	Horizontal
Spring Centered	Unrestricted
Spring Offset	Unrestricted

Silting

Silting can cause any sliding spool valve to stick and not spring return, if held shifted under pressure for long periods of time. The valve should be cycled periodically to prevent sticking.

Flow Path Data



*Note: On valves with 008 or 009 spool, A and/or B operators reverse sides. Flow paths remain the same as viewed from top of valve.

Single Pass Operation

Valve flow ratings are for double pass operation (with equal flow in both paths). When using these components in single pass applications, flow capabilities may be reduced. Consult your local Parker representative for details.

Double Solenoid. With solenoid "A" energized, flow path is P→A and B→T. When solenoid "B" is energized, flow path is P→B and A→T. The center condition on a spring-centered valve exists when both coils are de-energized, or during a complete shift, as the spool passes through center.

Detent and Spring Offset. The center condition exists on detent and spring offset valves only during spool crossover. To shift and hold a detented spool, only a momentary energizing of the solenoid is necessary. The minimum duration of the signal is approximately 0.1 seconds for DC voltages. This position will be held provided the spool center line is in a horizontal plane, and no shock or vibration is present to displace the spool.

Single Solenoid. Spring offset valves can be ordered in styles B, E, F, H, K and M. Flow path data for the various styles are described in the order chart.

Electrical Failure

Should electric power fail, spring offset and spring centered valves will shift to the spring held position. Detented valves will stay in the last position held before power failure. If main flow does not fail or stop simultaneously, machine actuators may continue to function in an undesirable manner or sequence.

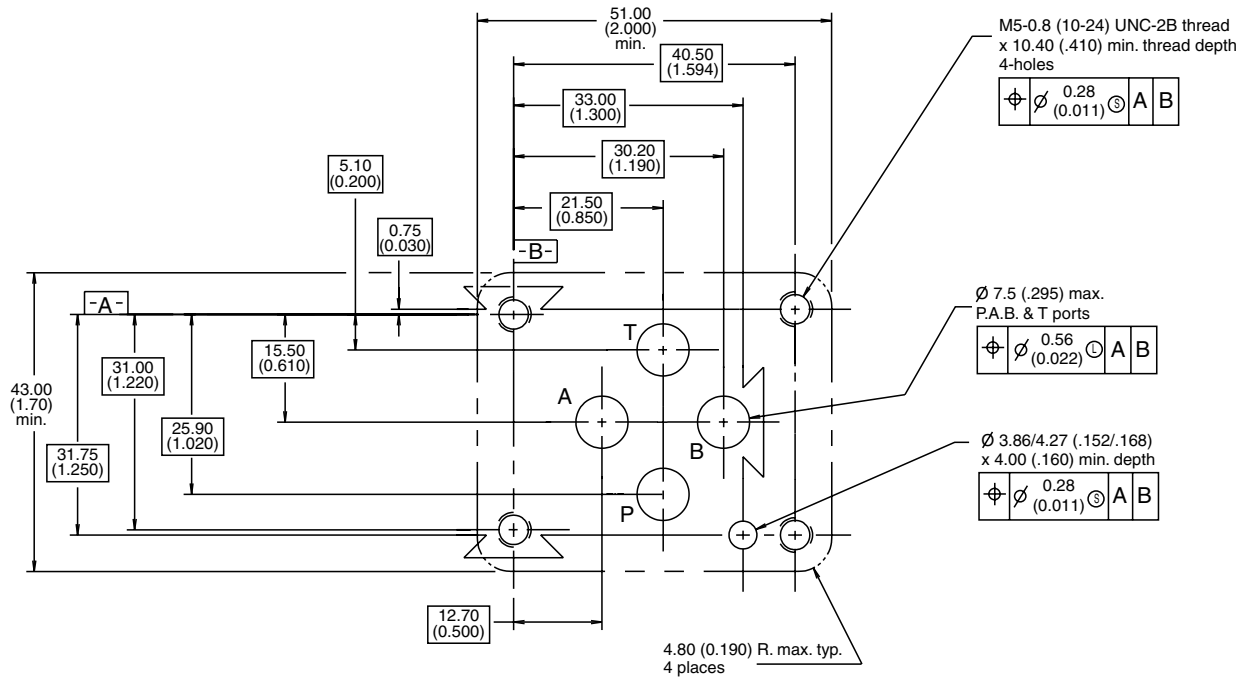
Torque Specifications

Torque values recommended for the bolts which mount the valve to the manifold or subplate are as follows:

#10-24 thread (M5-0.8) torque 5.6 Nm (50 in-lbs).

Mounting Pattern — NFPA D03, CETOP 3, NG 6

Inch equivalents for millimeter dimensions are shown in (**)

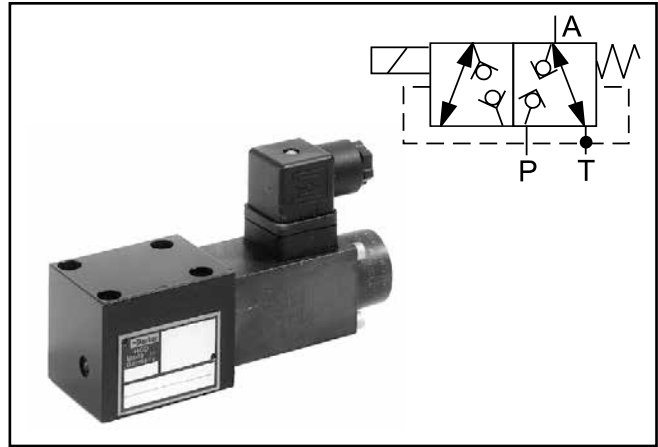


General Description

Series D1SE directional control valves are equipped with a wet pin armature solenoid, drain-free, tapered poppet valve and compatible with the standards DIN NG6, CETOP 3, and NFPA D03. Due to the 3/2 way design, port A is either connected with P or discharged in the tank. The neutral position (solenoid not activated) is taken automatically by a return spring. This position remains until the solenoid is energized.

The valve poppet including activation lever and armature of the solenoid are located in the pressurized oil chamber of connection T. The valve poppet is designed such that there can be no differential area in its axial operational direction (opening, closing). Thus it is statically pressure-balanced so that the valve can be switched in both flow directions even under pressure.

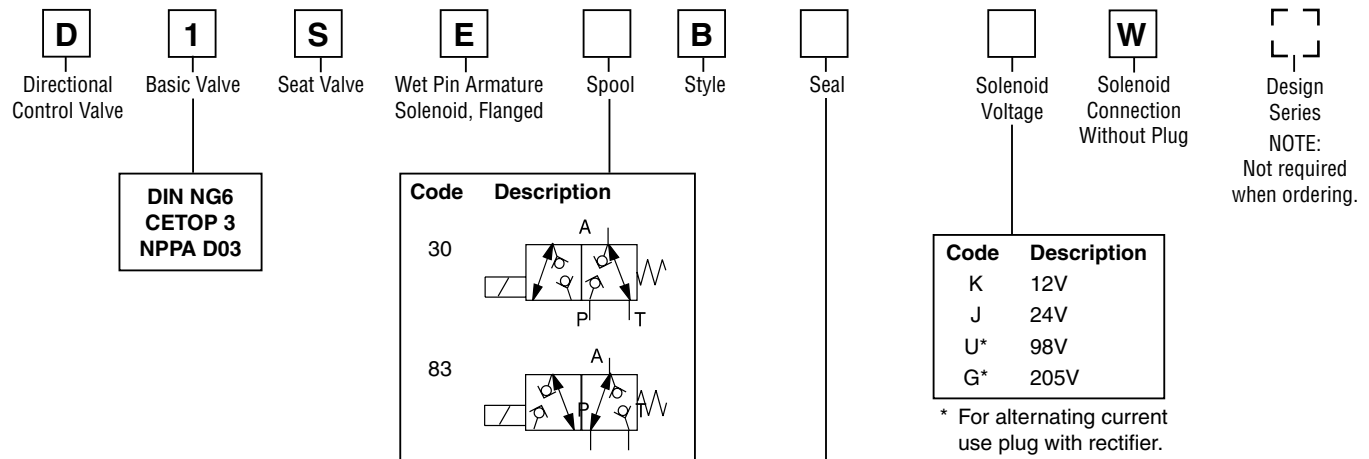
The unit has an all-steel design, the important functional inner parts are hardened, the poppet and seat are ground.



Features

- Low leakage poppet design.
- Fits NFPA D03 mounting.
- Pressure balanced.

Ordering Information



Coils for repair

Voltage	Ordering Code
12V	7329700 - 12V
24V	7329700 - 24V
98V	7329700 - 98V
205V	7329700 - 205V

Code	Description
N	Nitrile
V	Fluorocarbon

Weight: 0.8 kg (1.76 lbs)

Bold: Designates Tier I products and options.

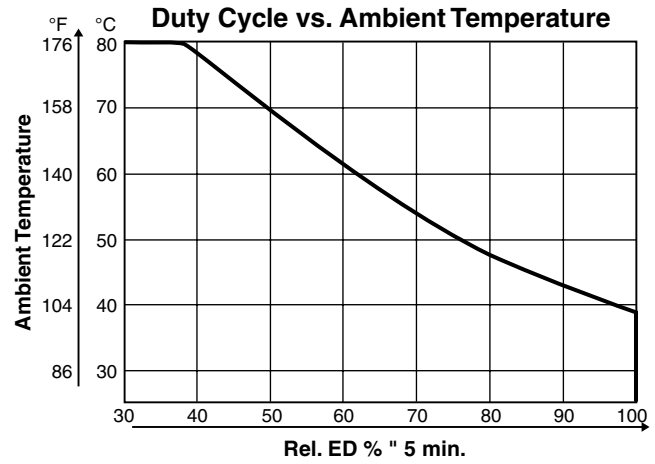
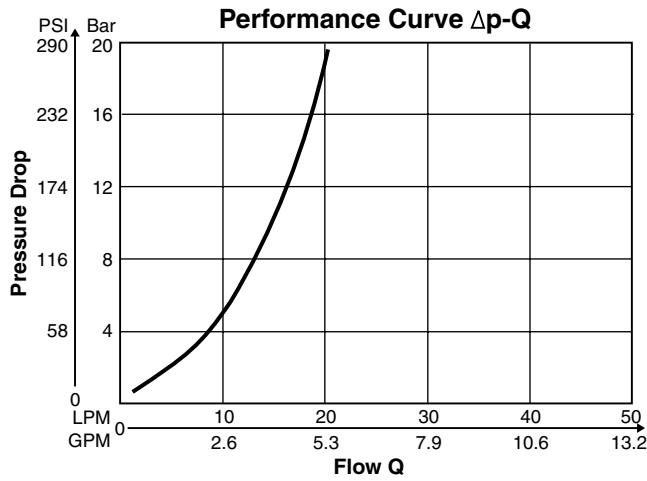
Non-Bold: Designates Tier II products and options.
 These products will have longer lead times.

A

General		Static / Dynamic			
Design	Directional poppet valve	Step Response	Energized: approx. 50 ms De-energized: approx. 60 ms		
Actuation	Solenoid	Electrical Characteristics			
Size	DIN NG6 / CETOP 3 / NFPA D03				
Mounting Interface	DIN 24340 A6 / ISO 4401 / CETOP RP 121-H / NFPA D03	Duty Ratio	See Diagram		
Mounting Position	Unrestricted	Max. Switching Frequency	2000 1/h		
Ambient Temperature	-25°C to +50°C (-13°F to +122°F), observe permissible duty cycle	Protection Class	IP 65 in accordance with DIN 40050 (plugged and mounted)		
Hydraulic		Code	K	J	U* G*
Max. Operating Pressure	350 Bar (5075 PSI) (P, A, and T)	Supply Voltage	12 VDC	24 VDC	98 VDC 205 VDC
Fluid	Hydraulic oil in accordance with DIN 51524 / 51525	Tolerance Supply Voltage	±10%	±10%	±10% ±10%
Fluid Temperature	-25°C to +70°C (-13°F to +158°F)	Current Consumption	1.95A	1.1A	0.25A 0.13A
Viscosity Permitted Recommended	10...500 cSt / mm ² /s (46...2318 SSU) 30...80 cSt / mm ² /s (139...371 SSU)	Power Consumption	23.4 W	26.4 W	24.3 W 26.6 W
Filtration	ISO 4406 (1999); 18/16/13 (meet NAS 1638: 7)	Solenoid Connection	Connector as per EN 175301-803		
Internal Leakage	3-5 DPM per seat	Min. Wiring	3 x 1.5 mm ² recommended		
Maximum Flow	20 LPM (5.28 GPM) (at Δp = 10 bar)	Max. Wiring Length	50m (164') recommended		

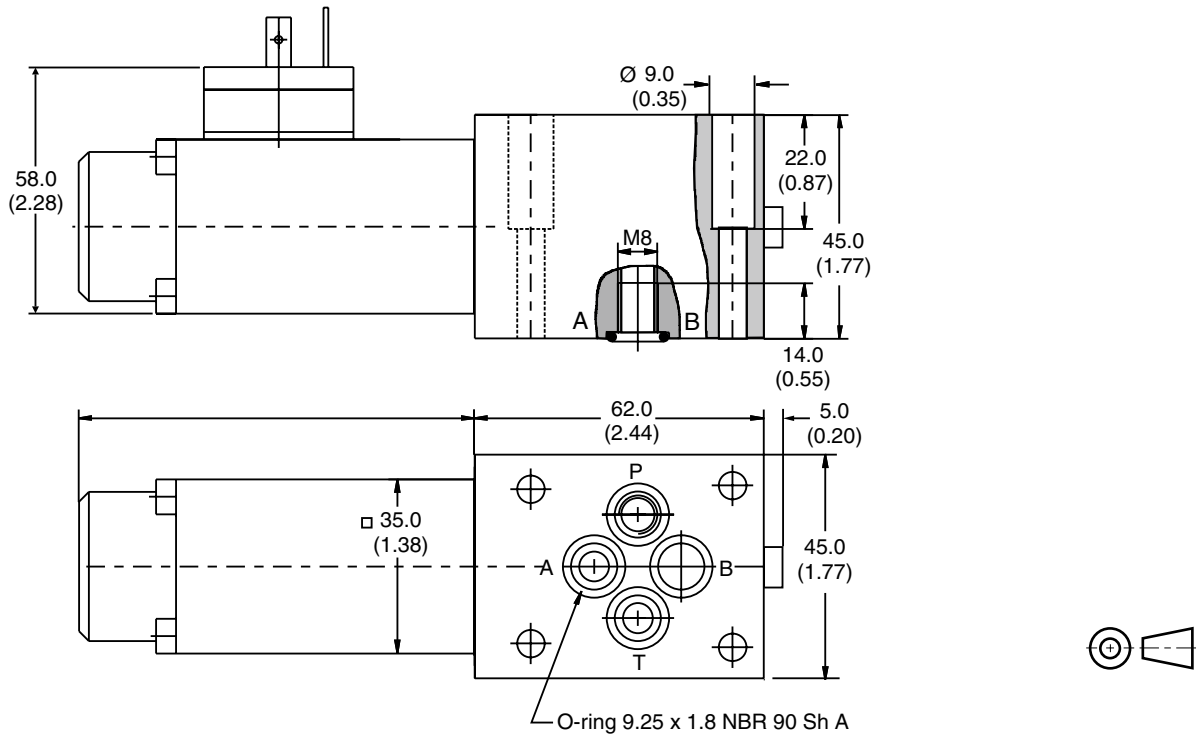
* For a silicon bridge rectifier, set up apart from unit for connecting to a 50 or 60 Hz power supply, 110 V~(98=) or 230V~ (205V=). With electrical connections the protective conductor (PE+) must be connected according to the relevant regulations.

Performance Curves



Dimensions

Inch equivalents for millimeter dimensions are shown in (**)



Surface Finish	Kit	Wrench	Torque	Seal Kit
$\sqrt{R_{max} 6.3}$ $\square 0.01/100$	BK375	4x M5x30 DIN 912 12.9	6.8 Nm ± 15%	Nitrile: SK-D1SE-70 Fluorocarbon: SK-D1SE-V70

The space necessary to remove the plug per EN 175301-803, design type AF is at least 15 mm.
 The torque for the screw M3 of the plug has to be 0.5 to 0.6 Nm.

A

Application

Series D3 hydraulic directional control valves are high performance, direct operated 4-way valves, available in 2 or 3-position. They are manifold mounted which conform to NFPA's D05, CETOP 5, ISO NG10 mounting patterns. These valves were designed for industrial and mobile hydraulic applications which require high cycle rates, long life and high efficiency.

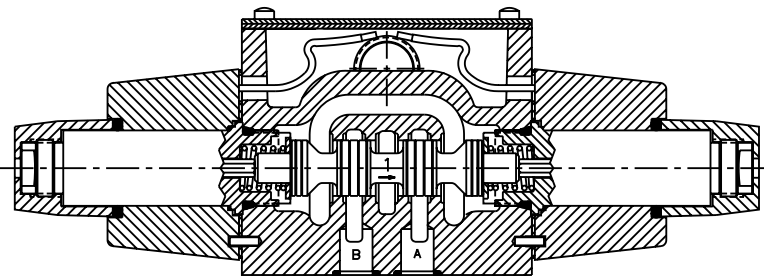
Operation

Series D3 directional control valves consist of a 4-chamber style body, and a case hardened sliding spool. The spool is directly shifted by a variety of operators including: solenoid, lever, cam, or air pilot.

Features

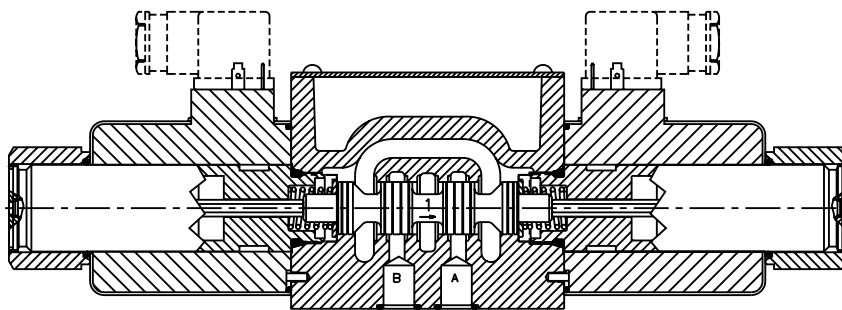
- Easy access mounting bolts.
- 345 Bar (5000 PSI) pressure rating.
- Flows to 40 GPM depending on spool.
- Choice of four operator styles.
- Rugged four land spools.
- Low pressure drop.
- Phosphate finish body.
- CSA approved and UL recognized available.
- Proportional spool available.

D3W Solenoid Operated Conduit Cavity Style



- Wired in cavity.
- Easy access mounting bolts.
- 22 spool styles available.
- Three electrical connection options.
- AC and DC lights available.
- CSA approved.
- Available in low-watt DC version.

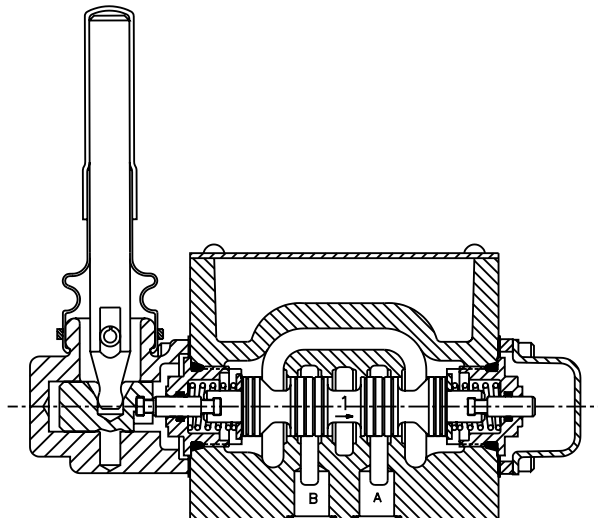
D3W Solenoid Operated Hirschmann (DIN) Style



- DIN Style (43650) Hirschmann.
- 22 spool styles available.
- No tools required for coil removal.
- Easy coil replacement.
- AC and DC lights available.
- CSA approved.
- Available in low-watt DC version.

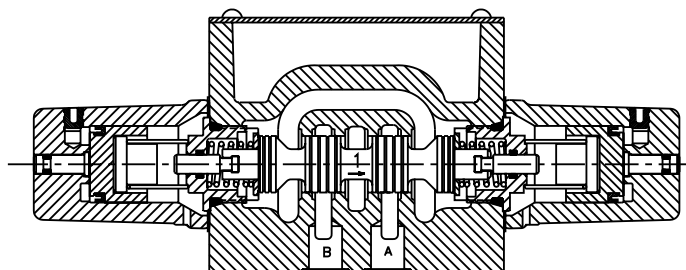
D3L Lever Operated

- Spring return or detent styles available.
- Heavy duty handle design.
- High flow, low pressure drop design.



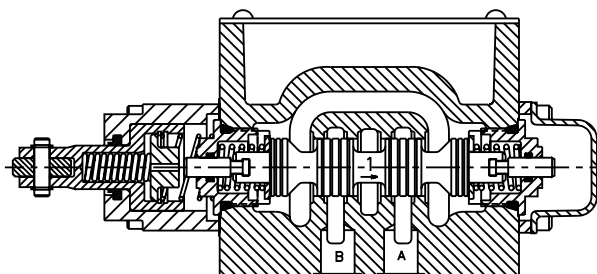
D3A Air Operated

- Low pilot pressure required – 4.1 Bar (60 PSI) minimum.
- High flow, low pressure drop design.



D3C Cam Operated

- Choice of 2 cam roller positions (D3C and D3D).
- Short stroke option.
- High flow, low pressure drop design.

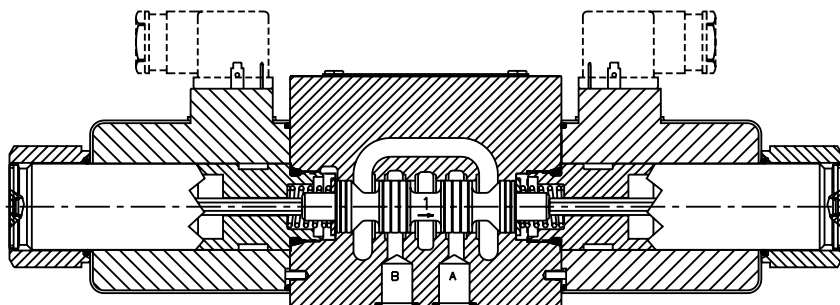


A**Application**

Series D3DW hydraulic directional control valves are high performance, direct operated 4-way valves, available in 2 or 3-position. They are manifold mounted which conform to NFPA's D05, CETOP 5, ISO NG10 mounting pattern. These valves were designed for industrial and mobile hydraulic applications which require high cycle rates, long life and high efficiency.

Operation

Series D3DW directional control valves consist of a 5-chamber style body, and a case hardened sliding spool.

D3DW Solenoid Operated Hirschmann (DIN) Style

- Easy access mounting bolts.
- No tools required for coil removal.
- 22 spool styles available.
- Signal lights available.
- CSA approved.

D3 Spool Reference Data

Model	Spool Symbol	Maximum Flow, LPM (GPM) 350 Bar (5000 PSI) w/o Malfunction			Model	Spool Symbol	Maximum Flow, LPM (GPM) 350 Bar (5000 PSI) w/o Malfunction		
		D3W	D3W*F†	D3DW			D3W	D3W*F†	D3DW
D3*1		150 (40)	78 (20)	130 (33)	D3*12		95 (24)	59 (15)	75 (19)
D3*2		150 (40)	78 (20)	115 (30)	D3*14		50† (13)	59# (15)	70† (18)
D3*3		150 (40)	78 (20)	120 (31)	D3*15		150 (40)	78 (20)	120 (31)
D3*4		150 (40)	59 (15)	130 (33)	D3*16		150 (40)	78 (20)	130 (33)
D3*5		150 (40)	78 (20)	130 (33)	D3*20		150 (40)	78 (20)	130 (33)
D3*6		150 (40)	78 (20)	130 (33)	D3*21		115 (30)	N/A	120 (31)
D3*7		50† (13)	59# (15)	70† (18)	D3*22		115 (30)	N/A	120 (31)
D3*8		50‡ (13)	59# (15)	39 (10)	D3*26		115 (30)	N/A	75 (19)
D3*9		39 (10)	59# (15)	75 (19)	D3*30		39 (10)	59# (15)	75 (19)
D3*10		115 (30)	N/A	75 (19)	D3*81		115† (30)	N/A	130 (33)
D3*11		115 (30)	59# (15)	130 (33)	D3*82		115† (30)	N/A	130 (33)

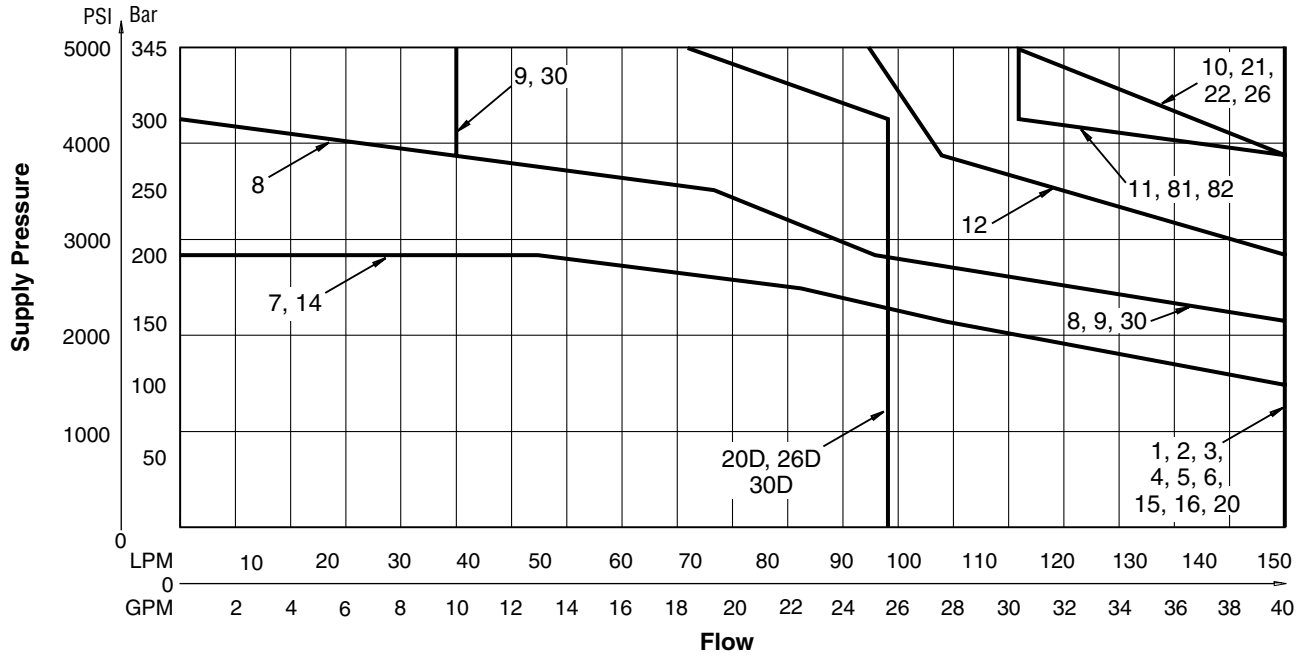
Center or De-energized position is indicated by P, A, B & T port notation.
 † 3000 PSI Max. ‡ 2900 PSI Max. # 1500 PSI Max.

D3A, D3C, D3L Spool Reference Data (Four Chamber Body Only)

Model	Spool Symbol	Maximum Flow, LPM (GPM) 350 Bar (5000 PSI) w/o Malfunction	Model	Spool Symbol	Maximum Flow, LPM (GPM) 350 Bar (5000 PSI) w/o Malfunction
D3*1		150 (40)	D3*20		150 (40)
D3*2		150 (40)	D3*26		115 (30)
D3*4		150 (40)	D3*30		39 (10)
D3*8		50 (13)	D3*81		115 (30)
D3*9		39 (10)	D3*82		115 (30)

Center or De-energized position is indicated by A, B, P & T port notation.

D3W-30/32 DC and AC Rectified Shift Limits



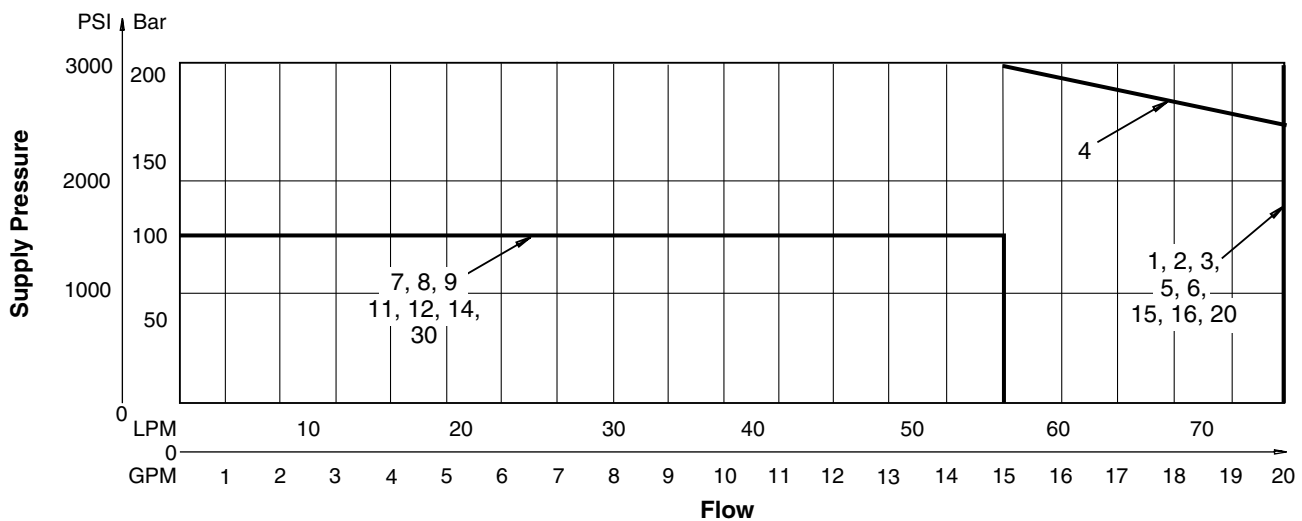
Example:

Determine the maximum allowable flow of a D3W Series valve (20D) at 150 Bar (2175 PSI) supply pressure. Locate the curve marked "20D". At 150 Bar (2175 PSI) supply pressure, the maximum flow is 98 LPM (25 GPM). At 345 Bar (5000 PSI), the flow is 72 LPM (18.5 GPM).

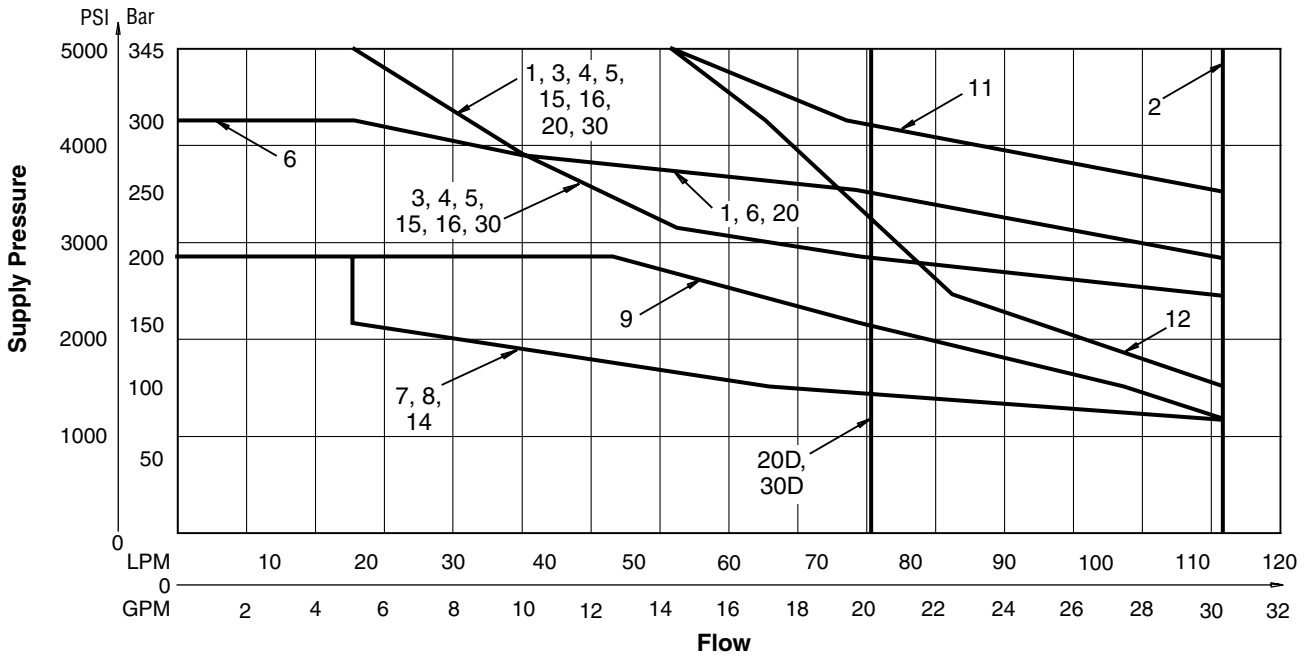
Important Notes for Switching Limit Charts

1. For F & M style valves, reduce flow to 70% of that shown.
2. Shift limits charted for equal flow A and B ports. Unequal A and B port flows may reduce shift limits.
3. These charts do not show explosion proof performance. Consult factory for explosion proof duty.
4. Blocking A and B ports will reduce flow to 70% of that shown.

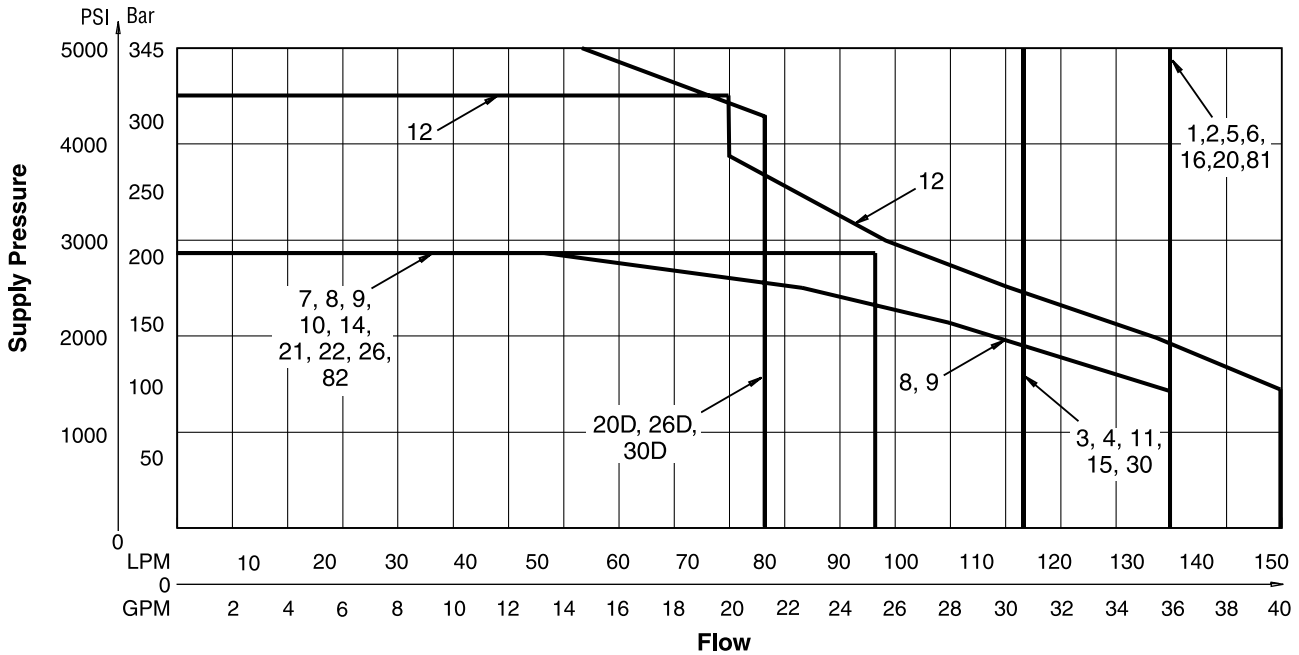
D3W-30/32 Low Watt DC and AC Rectified Shift Limits



D3W-30/32 AC Shift Limits



D3W-30/32 Soft Shift Limits (High Watt Coil Only)



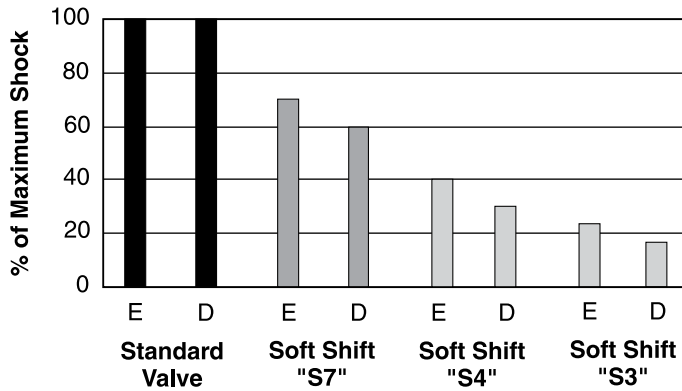
Important Notes for Switching Limit Charts

1. For F & M style valves, reduce flow to 70% of that shown.
2. Shift limits charted for equal flow A and B ports. Unequal A and B port flows may reduce shift limits.
3. These charts do not show explosion proof performance. Consult factory for explosion proof duty.
4. Blocking A and B ports will reduce flow to 70% of that shown.

D3W-30/32 Soft Shift Response



Shock Load



E = Energize
 D = De-energize

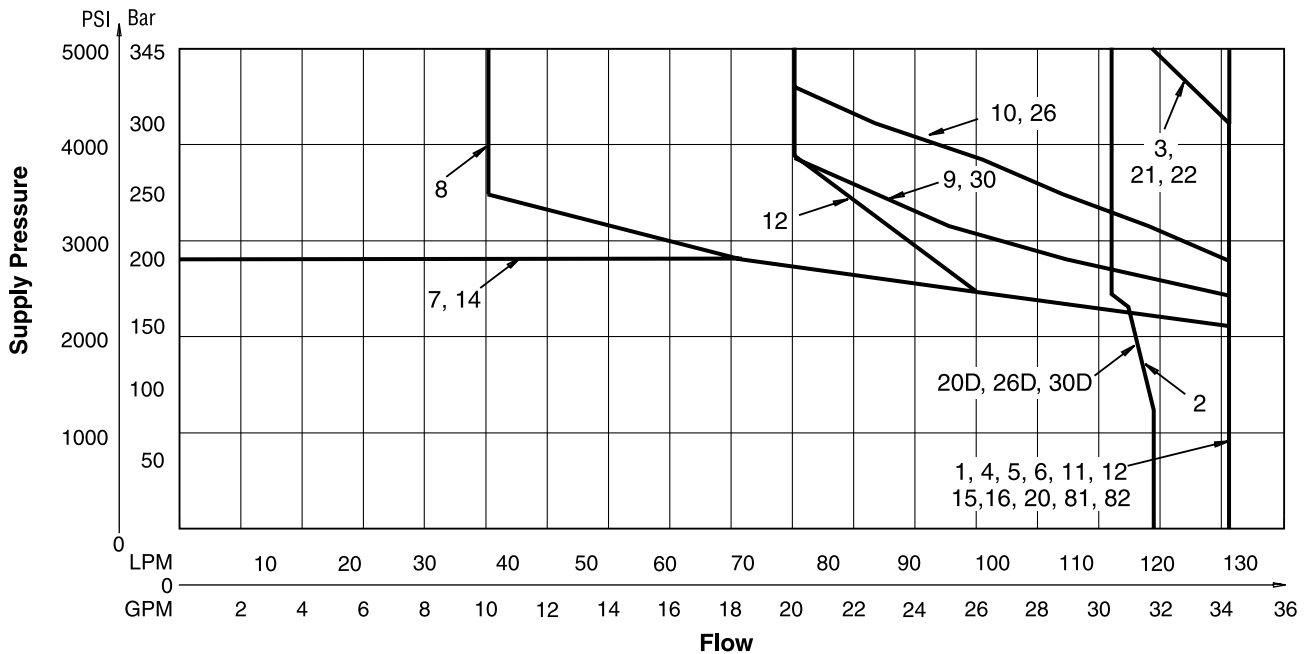
Response Time*

Signal to 95% spool stroke measured at 172 Bar (2500 PSI) and 65 LPM (17 GPM).

Soft Shift Option	Energize	De-energize
S3	400	650
S4	320	550
S7	160	370

* For reference only. Response time varies with flow, pressure and oil viscosity.

D3DW-40/41 Shift Limits



Important Notes for Switching Limit Charts

1. For F & M style valves, reduce flow to 70% of that shown.
2. Shift limits charted for equal flow A and B ports. Unequal A and B port flows may reduce shift limits.
3. These charts do not show explosion proof performance. Consult factory for explosion proof duty.
4. Blocking A and B ports will reduce flow to 70% of that shown.

D3.indd, dd

Pressure Drop vs. Flow

The table shown provides flow vs. pressure drop curve reference for D3 Series valves by spool type.

The chart below demonstrates graphically the performance characteristics of the D3. The low watt coil and other design features of the standard D3W*****F accommodate a maximum flow of 78 LPM (20 GPM) at 207 Bar (3000 PSI).

D3W and D3DW Pressure Drop Reference Chart

Spool No.	Curve Number										
	Shifted				Center Condition						
	P-A	P-B	B-T	A-T	(P-T)	(B-A)	(A-B)	(P-A)	(P-B)	(A-T)	(B-T)
1	5	5	2	2	—	—	—	—	—	—	—
2	4	4	1	1	2	3	3	3	3	1	1
3	5	5	2	3	—	—	—	—	—	1	—
4	4	4	3	3	—	—	—	—	—	1	1
5	6	5	2	2	—	—	—	2	—	—	—
6	6	6	2	2	—	4	4	2	2	—	—
7	5	4	2	1	3	—	—	—	3	—	1
8	8	8	7	7	6	—	—	—	—	—	—
9	5	5	4	4	7	—	—	—	—	—	—
10	5	5	—	—	—	—	—	—	—	—	—
11	5	5	2	2	—	—	—	—	—	10	10
12	5	5	2	2	11	—	—	10	10	10	10
14	4	5	1	2	3	—	—	3	—	1	—
15	5	5	3	2	—	—	—	—	—	—	1
16	5	6	2	2	—	—	—	—	2	—	—
20	5	5	2	2	—	—	—	—	—	—	—
21	5	4	—	1	—	9	—	—	—	—	—
22	4	5	1	—	—	—	9	—	—	—	—
26	5	5	—	—	—	—	—	—	—	—	—
30	5	5	2	2	—	—	—	—	—	—	—

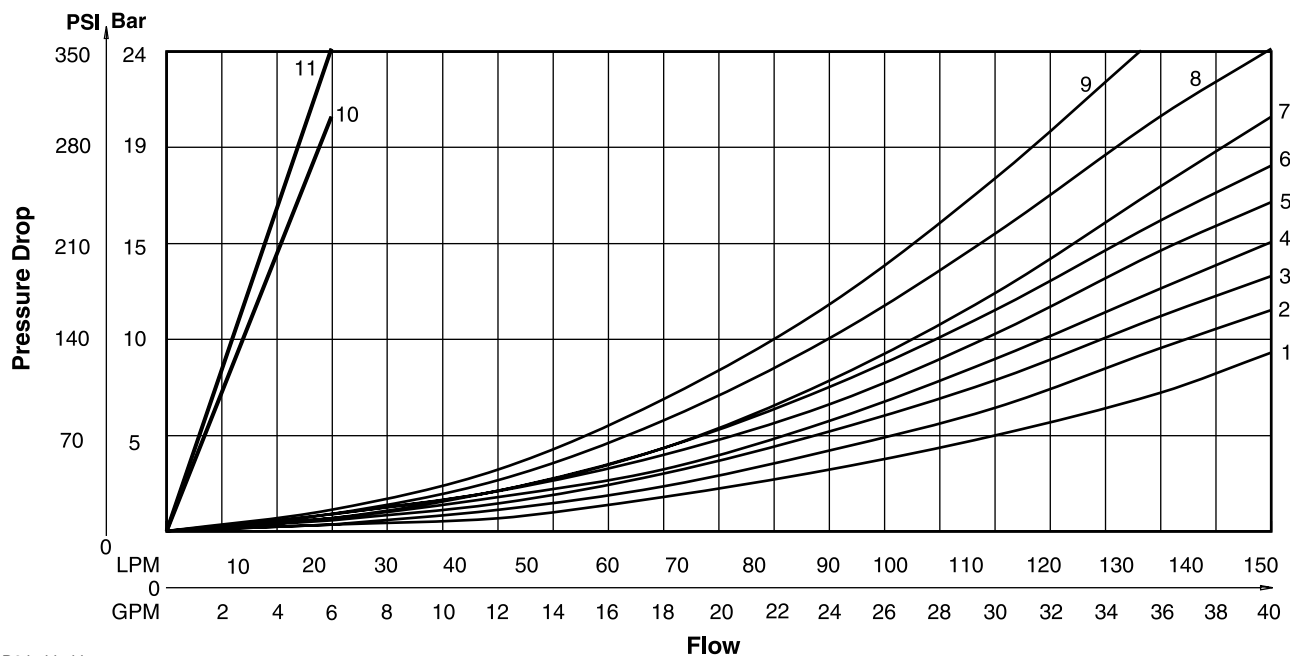
Note:
 For 81 and 82 spools, consult factory.

Viscosity Correction Factor

Viscosity (SSU)	75	150	200	250	300	350	400
% of ΔP (Approx.)	93	111	119	126	132	137	141

Curves were generated using 110 SSU hydraulic oil.
 For any other viscosity, pressure drop will change per chart.

Performance Curves



D3.inidd, dd

General Description

Series D3W directional control valves are high-performance, 4-chamber, direct operated, wet armature, solenoid controlled, 3 or 4-way valves. They are available in 2 or 3-position and conform to NFPA's D05, CETOP 5 mounting patterns.

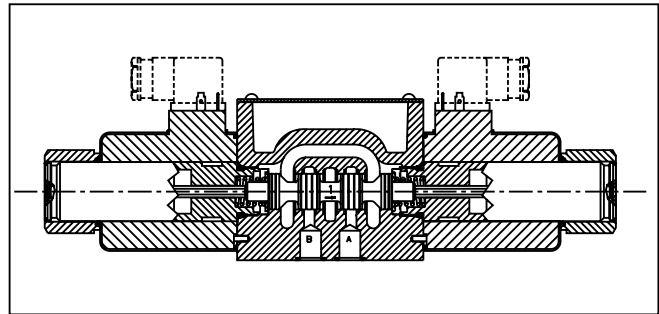
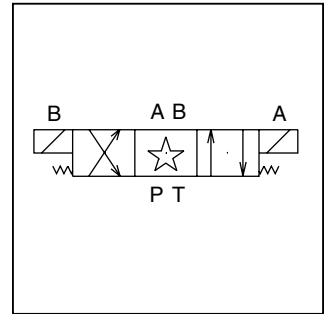
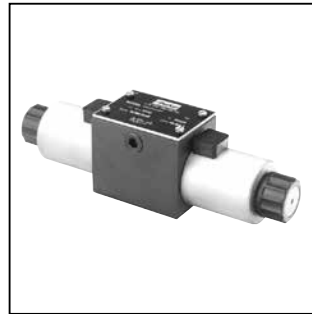
Features

- Worldwide, high flow, low pressure drop design.
- Soft shift available.
- 22 spools available including proportional.
- DC surge suppression available to protect electrical equipment.
- Three electrical connection options.
- AC & DC lights available.
- Easy access mounting bolts.
- Explosion proof availability.
- CSA approved.
- No tools required for coil removal.
- Rectified coils available for high flow AC applications.

Response Time (ms)

Signal to 95% spool stroke measured at 172 Bar (2500 PSI) and 75 LPM (20 GPM)

Solenoid Type	m sec
AC Energize	21
AC De-energize	35
DC Energize	110
DC De-energize	85

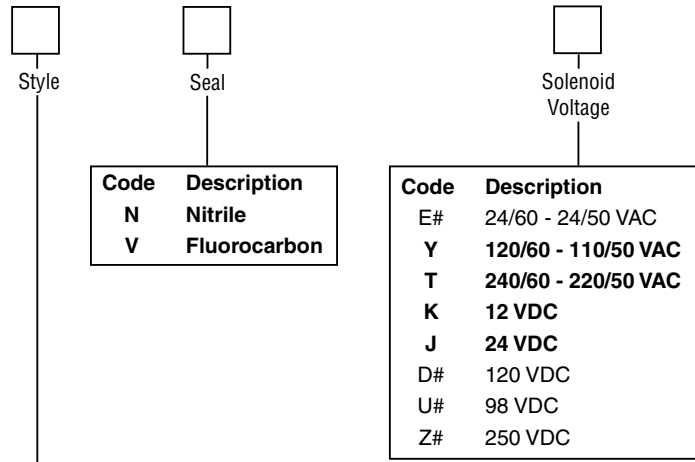
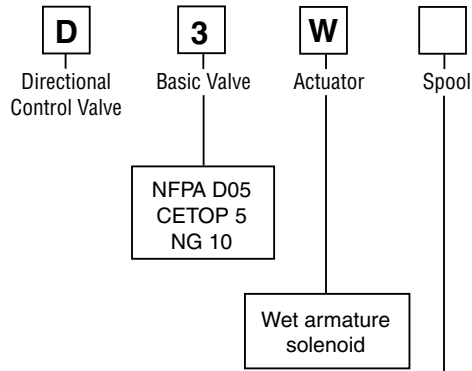


Specifications

Interface	NFPA D05, CETOP 5, NG 10
Max. Operating Pressure	P, A, B: 345 Bar (5000 PSI) Standard CSA 207 Bar (3000 PSI) Tank: 103 Bar (1500 PSI) AC Standard 207 Bar (3000 PSI) AC Optional DC/AC Rectified Standard CSA 103 Bar (1500 PSI)
CSA File Number	LR060407
Leakage Rates 100 SSU @ 49°C (120°F)	Maximum Allowable: 19.6 cc (0.38 Cu. in.) per Minute/ Land @ 69 Bar (1000 PSI)* 35 cc (2.19 Cu. in.) per Minute/ Land @ 207 Bar (3000 PSI)*

* #008 and #009 Spools may exceed these rates, consult factory

A



Code	Symbol	Code	Symbol
1		14	
2		15	
3		16	
4		20*	
5		21†	
6		22†	
7		26**†	
8*		30**	
9**		81†	
10†		††	
11		82†	
12			

Code	Description	Symbol
B*	Single solenoid, 2 position, spring offset. P to A and B to T in offset position	
C	Double solenoid, 3 position, spring centered.	
D†	Double solenoid, 2 position, detent	
E	Single solenoid, 2 position, spring centered. P to B and A to T when energized.	
F**	Single solenoid, 2 position. Spring offset, energized to center position. Spool spacer on A side. P to A and B to T in spring offset position.	
H*	Single solenoid, 2 position, spring offset. P to B and A to T in offset position.	
K	Single solenoid, 2 position. Spring centered. P to A and B to T when energized.	
M**	Single solenoid, 2 position, spring offset, energized to center position. Spool spacer on B side. P to B and A to T in spring offset position.	

High Watt Coil only.

* Only spools 20, 26 & 30.
 ** High Watt Coil.
 † Only spools 20 & 30.

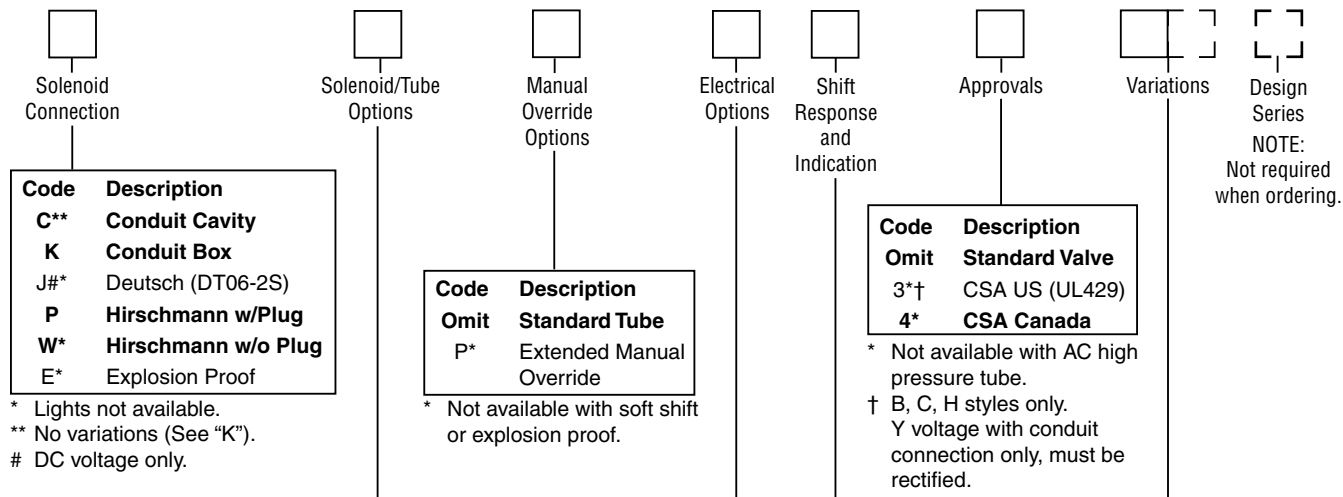
This condition varies with spool code.

* 8, 20 & 26 spools have closed crossover.
 ** 9 & 30 spools have open crossover.
 † Available only with high-watt rectified AC coils or high-watt DC coils.
 †† Spring centered versions C, E, F, K & M only.

Valve schematic symbols are per NFFPA/ANSI standards, providing flow P to A when energizing solenoid A. Note operators reverse sides for #8 and #9 spools. See installation information for details.

Bold: Designates Tier I products and options.

Non-Bold: Designates Tier II products and options. These products will have longer lead times.



Options	Coil	Tube Rating	
		AC	DC/AC Rectified
Omit	High Watt	103.5 Bar (1500 PSI)	207 Bar (3000 PSI)
F*#	Low Watt	n/a	207 Bar (3000 PSI)
H	High Watt	207 Bar (3000 PSI)	n/a
D†	Explosion Proof, EEXD ATEX		
U†	Explosion Proof, UL/CSA		

* Available only with J, K and Y (Rectified), T (Rectified) voltages.
 # Not available with soft shift or with F and M style valves.
 † Explosion proof coils are 60 Hz at standard voltage; dual rating not available.

Valve Weight:

Single Solenoid:
 AC 4.3 kg (9.5 lbs.)
 DC 5.3 kg (11.6 lbs.)
 Double Solenoid:
 AC 5.0 kg (11.0 lbs.)
 DC 7.3 kg (16.0 lbs.)

Seal Kit:

Nitrile SKD3W
 Fluorocarbon SKD3WV

Code	Description
Omit	No Option
V#	Varistor Surge Suppressor
Z	AC Rectified with MOV Surge Suppressor

DC voltage only.

Code	Description
Omit	Standard Valve
S3**	Soft Shift, 0.030" Orifice
S4**	Soft Shift, 0.040" Orifice
S7**	Soft Shift, 0.070" Orifice
I7*	Monitor Switch Direct Op. End Stroke
I8*	Monitor Switch

* Single solenoid models only. Not CE or CSA approved. Spools 8, 9, 81 & 82 not available.
 ** High watt coil only.

Mounting Bolt Kits

UNC Bolt Kits for use with D3W Directional Control Valves & Sandwich Valves					
		Number of Sandwich Valves @ 2.00" (50mm) thickness			
		0	1	2	3
D3W	Standard:	BK98 1.62"	BK141 3.50"	BK142 5.50"	BK143 7.50"
	Metric:	BKM98 40mm	BKM141 90mm	BKM142 140mm	BKM143 190mm
D3W with explosion proof coils	Standard:	BK144 2.37"	BK61 4.25"	BK62 6.25"	BK63 8.25"
	Metric:	BKM144 60mm	BKM61 110mm	BKM62 160mm	BKM63 210mm

NOTE: All bolts are SAE grade 8, 1/4-20 UNC-2A thread, torque to 16 Nm (12 ft-lbs)

Code	Description
Omit	Standard Valve
5	Signal Lights
6	Manaplug, Brad Harrison Mini
7	Manaplug, Brad Harrison Micro (M12x1)
56	Manaplug (Mini) with Lights
57	Manaplug (Micro) with Lights (M12x1)
1A	Manaplug (Mini) Single Sol. 5-Pin
1B	Manaplug (Micro) Single Sol. 5-Pin (M12x1)
1C	Manaplug (Mini) Single Sol. 5-Pin w/Lights
1D	Manaplug (Micro) Single Sol. 5-Pin w/Lights (M12x1)
1M	Manaplug Opposite Normal

Bold: Designates Tier I products and options.

Non-Bold: Designates Tier II products and options. These products will have longer lead times.



Solenoid Ratings**

Insulation	Class H
Allowable Deviation from rated voltage	DC, AC Rect -10% to +15% AC -5% to +5%
Armature	Wet pin type

** DC Solenoids available with optional molded metal oxide varistor (MOV) for surge suppression.
 Leadwire length 6" from coil face.

D3W****F Solenoid Electrical Characteristics†

Solenoid Code	Nominal Volts/Hz	In Rush Amps	Holding Amps	Watts
KF	12 VDC	—	1.50	18
JF	24 VDC	—	0.75	18

† Based on nominal voltage @ 22°C (72°F)

D3W Solenoid Electrical Characteristics†

Solenoid Code	Nominal Volts/Hz	In Rush VA	Holding VA	Nominal Watts (Ref)
Y	120/60	298	95	32
	110/50	294	102	
T	240/60	288	96	32
	220/50	288	101	
E	24/60	290	77	32
	24/50	381	110	
K	12 VDC	—	3.00†	36
J	24 VDC	—	1.50†	36
D	120 VDC	—	0.30†	36
U	98 VDC	—	0.37†	36
Z	250 VDC	—	0.14†	36

† DC holding amps.

D3W Rectified AC Solenoid Electrical Characteristics†

Solenoid Code	Nominal Volts/Hz	In Rush Amps	Holding Amps	Watts
Y	120/60	—	.37	36
	110/50	—	.37	
T	240/60	—	.18	36
	220/50	—	.18	
YF	120/60 110/50	—	.18	18
TF	240/60 220/50	—	.09	18

† Based on nominal voltage @ 22°C (72°F)

Explosion Proof Solenoids

Explosion Proof Solenoid Ratings

U.L. /CSA (EU)	Class I, Div. 1 & 2, Groups C & D Class II, Div 1 & 2, Groups E, F & G As defined by the N.E.C.
ATEX	Complies with ATEX requirements for: Exd, Group IIB; EN50014: 1999+ Amds 1 & 2, EN50018: 200

Electrical Characteristics* ED and EU†

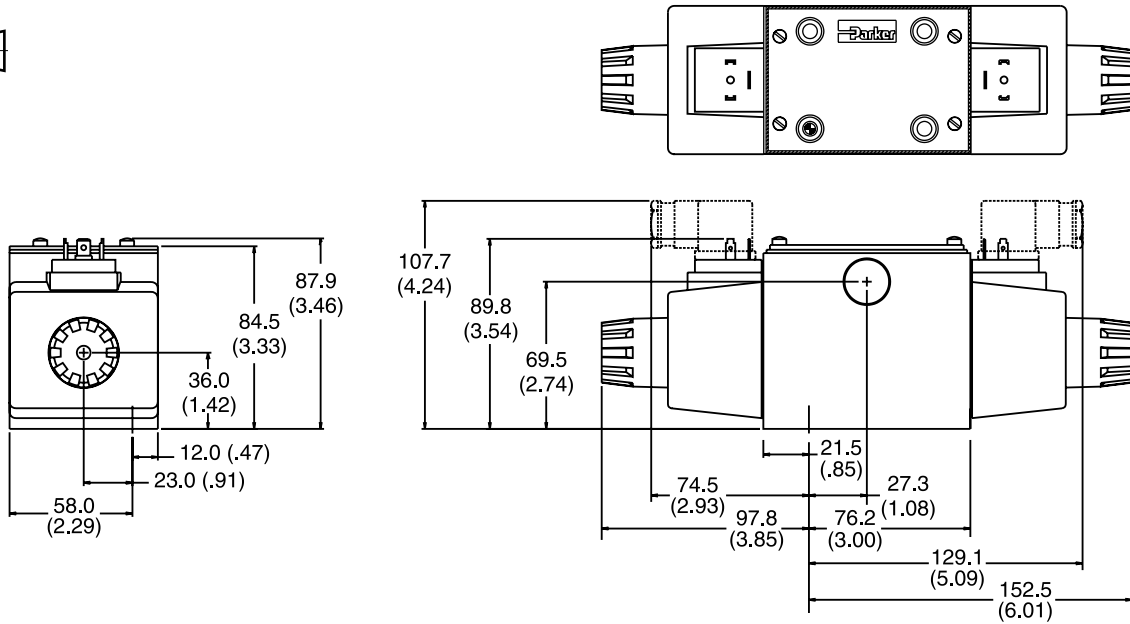
Solenoid Code	Nominal Volts/Hz	In Rush VA	Holding VA	Nominal Watts (Ref)
Y	120/60	266	82	36
T	240/60	266	82	36
K	12 VDC	—	3.00†	36
J	24 VDC	—	1.50†	36
D	120 VDC	—	0.30†	36

* Dual frequency not available on explosion proof coils.

† DC holding amps.

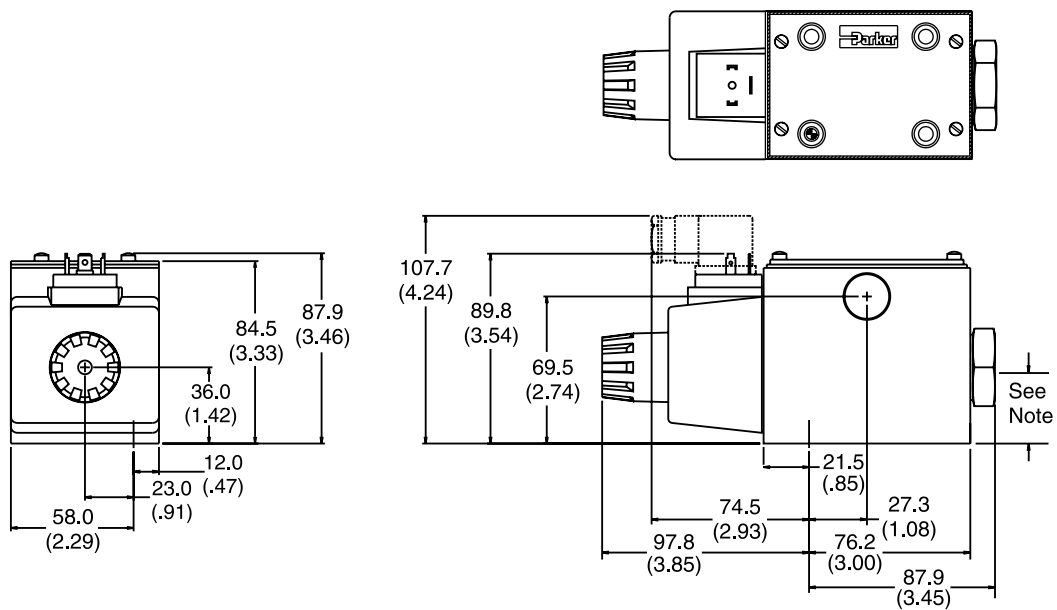
Inch equivalents for millimeter dimensions are shown in (**)

Hirschmann, Double AC Solenoid



Note: 30.0mm (1.18") from bottom of bolt hole counterbore to bottom of valve.

Hirschmann, Single AC Solenoid

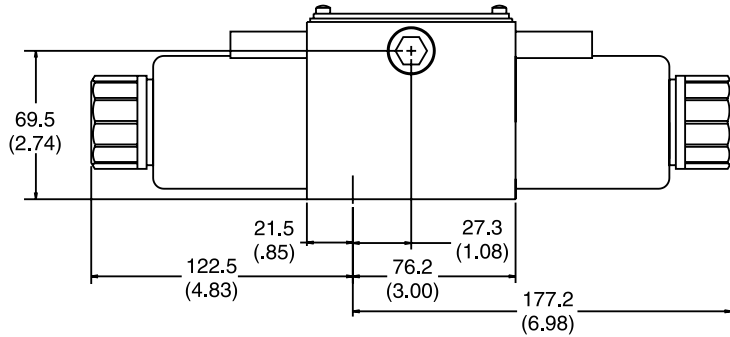
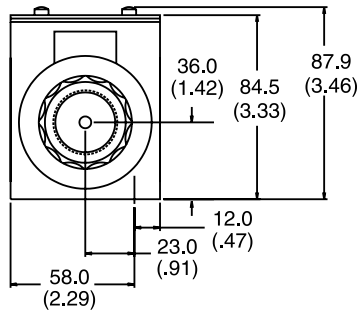
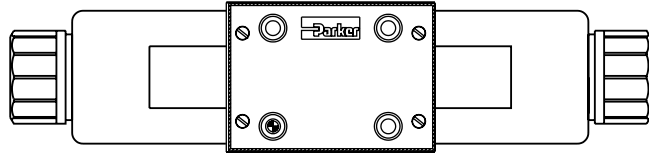
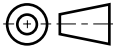


Note: 30.0mm (1.18") from bottom of bolt hole counterbore to bottom of valve.

Inch equivalents for millimeter dimensions are shown in (**)

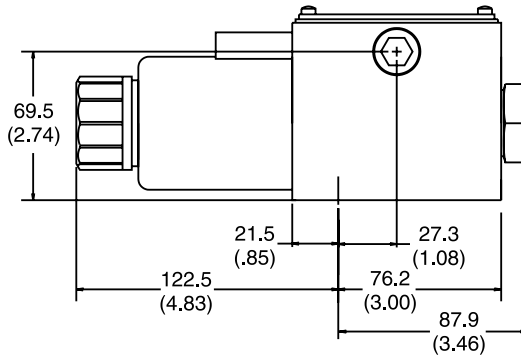
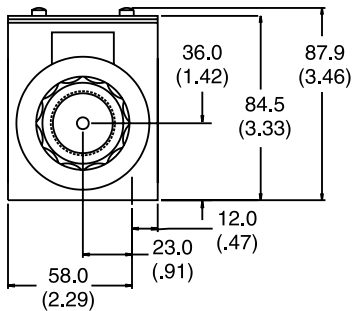
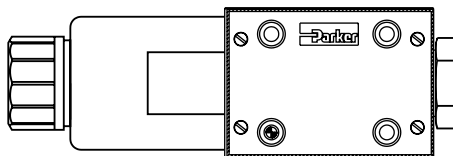
A

Conduit Cavity, Double DC Solenoid



Note: 30.0mm (1.18") from bottom of bolt hole counterbore to bottom of valve.

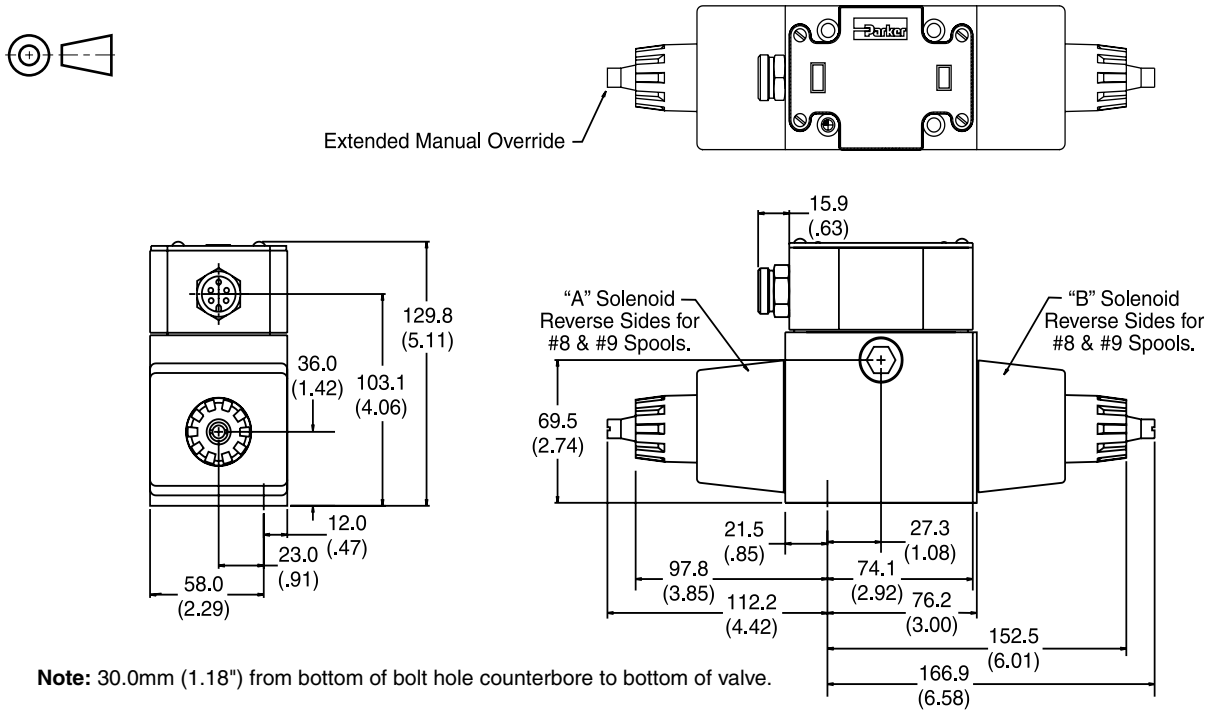
Conduit Cavity, Single DC Solenoid



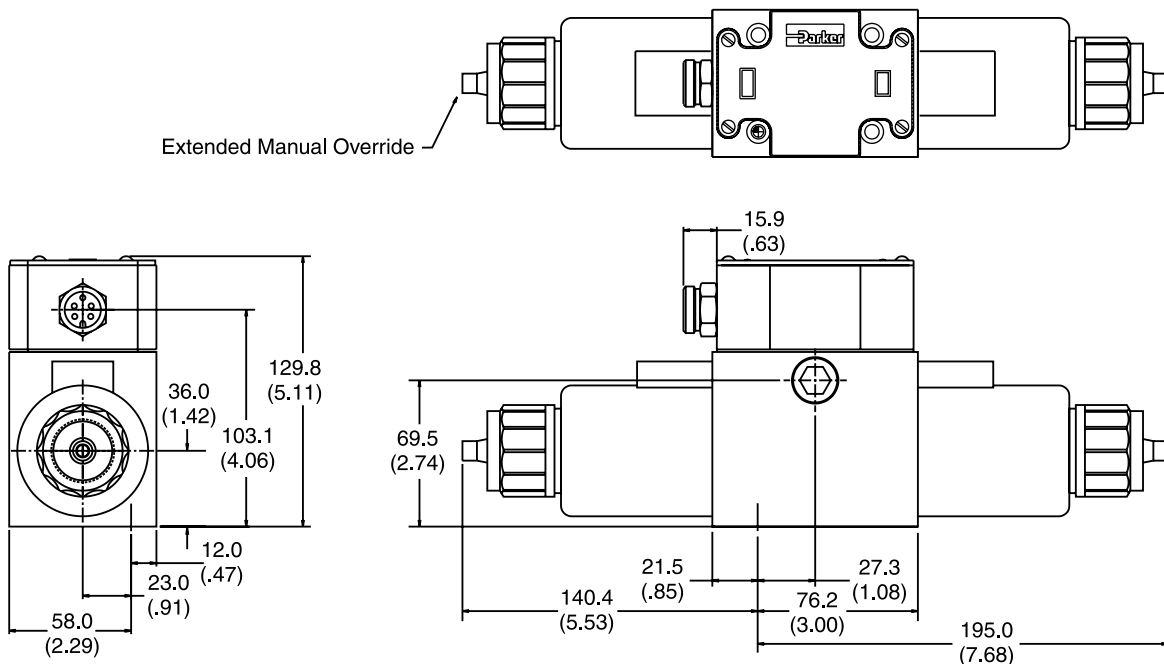
Note: 30.0mm (1.18") from bottom of bolt hole counterbore to bottom of valve.

Inch equivalents for millimeter dimensions are shown in (**)

**Conduit Box, Single AC Solenoid
with Variation 6 (Manaplug) & Variation P (Extended Manual Override)**



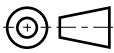
**Conduit Box, Double DC Solenoid
with Variation 6 (Manaplug) & Variation P (Extended Manual Override)**



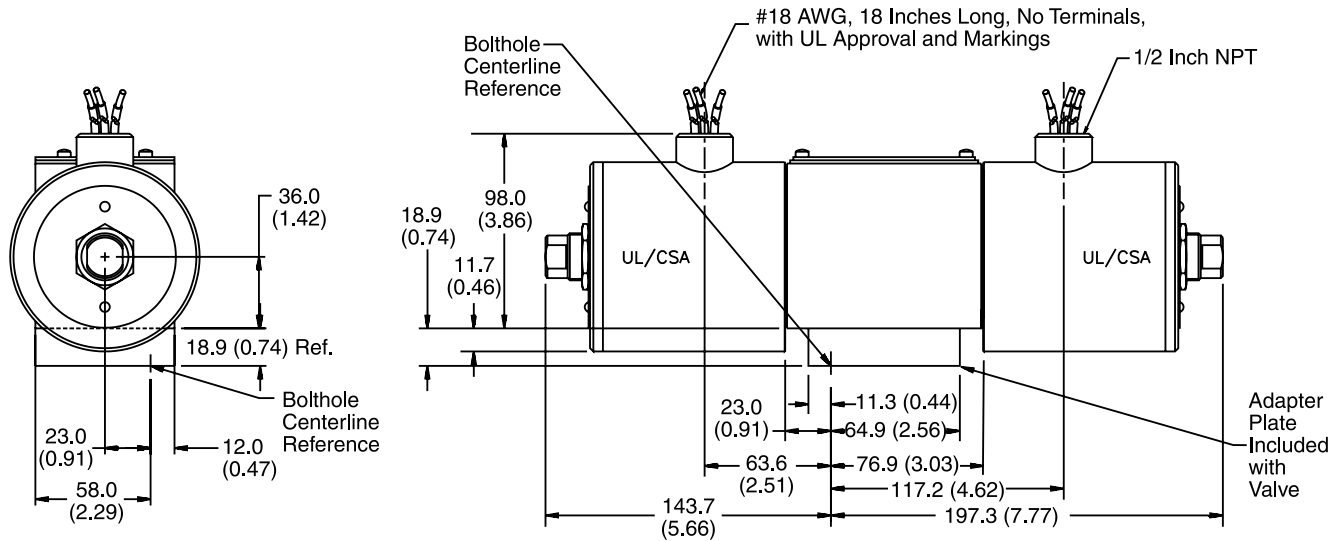
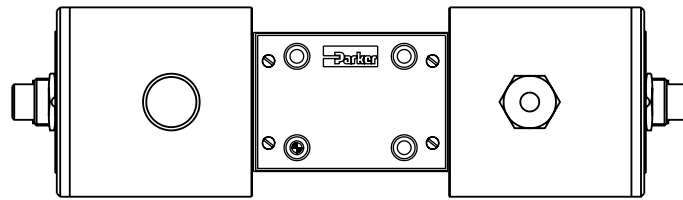
Inch equivalents for millimeter dimensions are shown in (**)

A

Explosion Proof U.L. & CSA, Double Solenoid

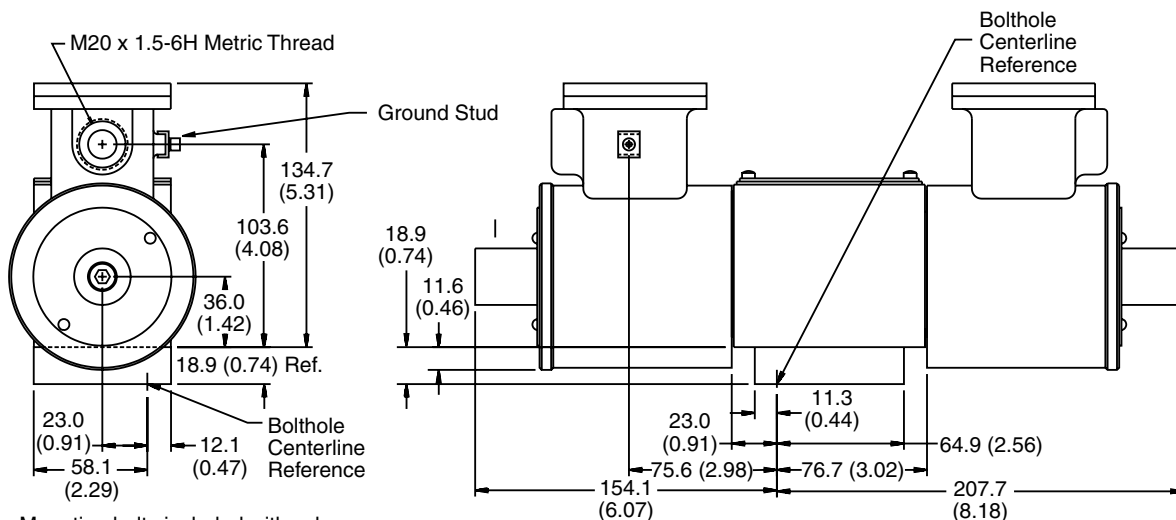
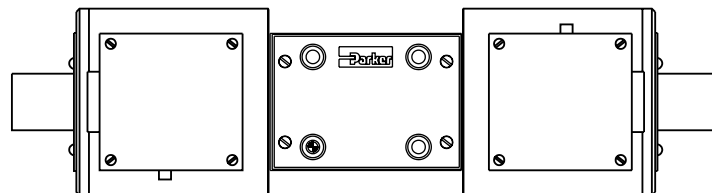


Note:
2 Black Wires
1 Green Wire



Note: Mounting bolts included with valve.

Explosion Proof ATEX, Double Solenoid

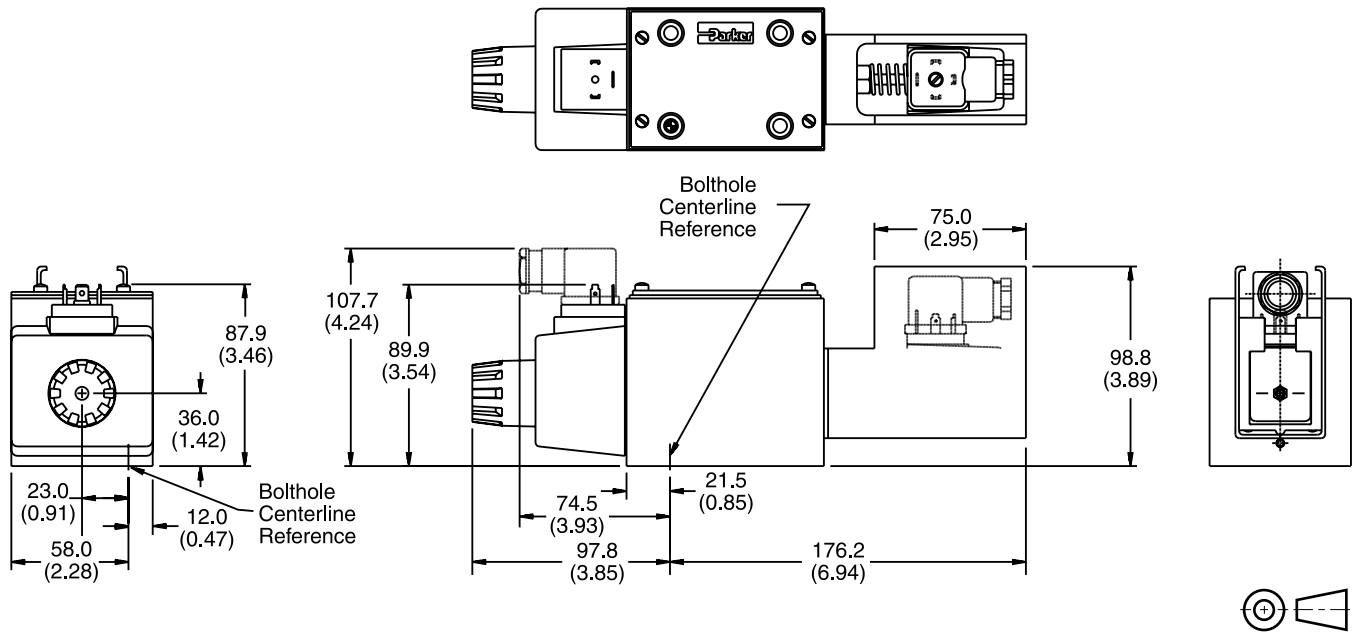


Note: Mounting bolts included with valve.

D3.indd, dd

Inch equivalents for millimeter dimensions are shown in (**)

**Hirschmann, Single AC Solenoid
with Variation I7 (Monitor Switch)**



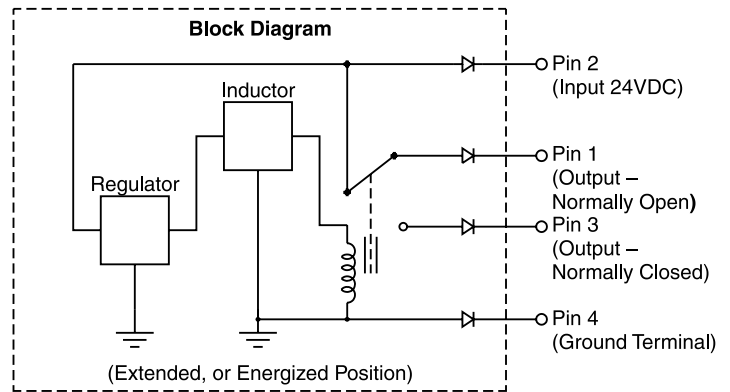
Note: 30.0mm (1.18") from bottom of bolt hole counterbore to bottom of valve.

**Monitor Switch
(Variation I7) End of Stroke**

This feature provides for electrical confirmation of the spool shift. This can be used in safety circuits, to assure proper sequencing, etc.

Switch Data

Inductive switch requiring +18-42 volt input. Outputs "A" and "B" are opposite; one at "0" voltage, the other at input voltage. During switching, "A" and "B" outputs reverse. Provides 0.4A switching current.



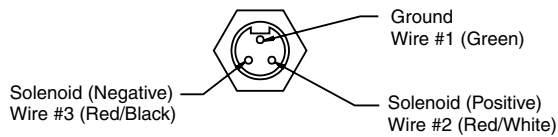
For repetitive switch power-up conditions, please consult factory.

Conduit Box
(connection option K)

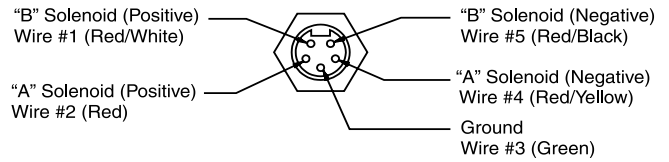
- Interface – 152.4 cm (6.0 inch) lead wires, 18 awg.
- Meets NEMA 4 and IP65

Manaplug
(valve variations 6, 56, 1A, 1C)

- Interface – Brad Harrison Plug
- 3-Pin for Single Solenoid
- 5-Pin for Double Solenoid



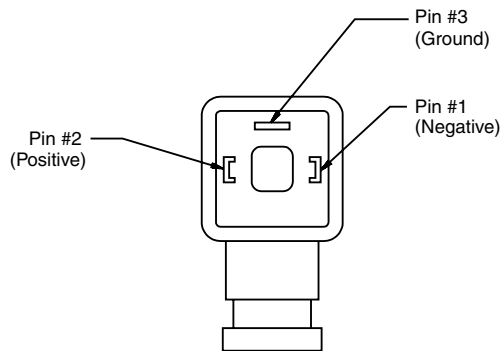
3-Pin Manaplug (Mini) with Lights
 Single Solenoid Valves – Installed Opposite Side of Solenoid



5-Pin Manaplug (Mini) with Lights
 Single Solenoid Valves – Installed Opposite Side of Solenoid
 Double Solenoid Valves – Installed Over "A" Solenoid
 ("A" and "B" Solenoids Reversed for #8 and #9 Spools)

Pins are as seen on valve (male pin connectors)

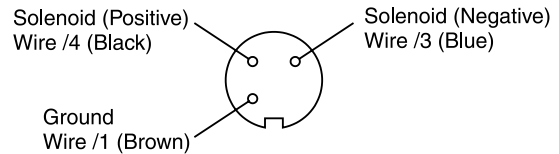
Hirschmann Plug with Lights (P5)



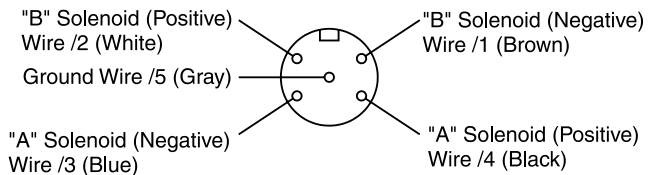
Face View of Plug

Conforms to DIN43650, ISO4400, Form A 3-Pin

Manaplug - Micro Connector
(valve variations 7, 57, 1B, 1D)



3-Pin Manaplug (Micro) with Lights
 Single Solenoid Valves – Installed Opposite Side of Solenoid



5-Pin Manaplug (Micro) with Lights
 Single Solenoid Valves – Installed Opposite Side of Solenoid
 Double Solenoid Valves – Installed Over "A" Solenoid
 ("A" and "B" Solenoids Reversed for #8 and #9 Spools)

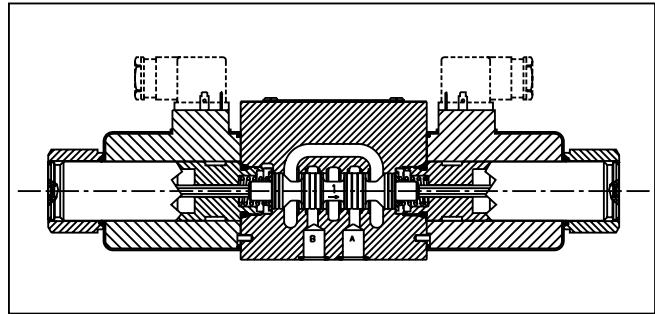
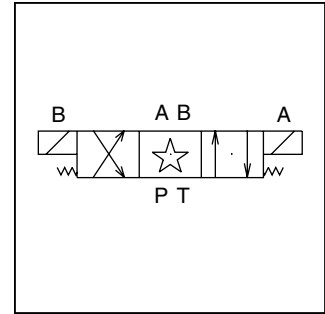
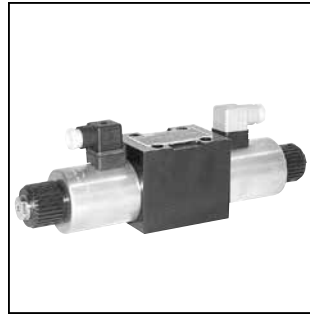
Pins are as seen on valve (male pin connectors)

General Description

Series D3DW directional control valves are high performance, 5-chamber, direct operated, wet armature, solenoid controlled, 3 or 4-way valves. They are available in 2 or 3-position and conform to NFPA's D05, CETOP 5 mounting patterns.

Features

- 22 spools available including proportional.
- DC surge suppression available to protect electrical equipment.
- Easy access mounting bolts.
- CSA approved.
- No tools required for coil removal.
- High pressure tank line capability.
- Monitor switch available.



Response Time (ms)

Signal to 95% spool stroke measured at 175 Bar (2500 PSI) and 75 LPM (20 GPM)

Solenoid Type	Pull-In	Drop-Out
DC	110	85

Solenoid Ratings**

Insulation	Class H
Allowable Deviation from rated voltage	DC only -10% to +15%
Armature	Wet pin type

** DC Solenoids available with optional molded metal oxide varistor (MOV) for surge suppression.

D3DW Solenoid Electrical Characteristics

Solenoid Code	Nominal Volts	In Rush Amps	Holding Amps	Nominal Watts (Ref)
K	12 VDC	—	3.00	36
J	24 VDC	—	1.50	36
D	120 VDC	—	0.30	36
Y*	120/60 110/50	—	0.37	36
T*	240/60 220/50	—	0.18	36

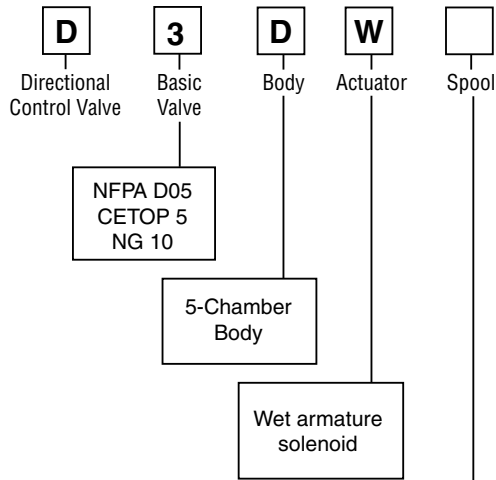
* AC input rectified to DC

Specifications

Interface	NFPA D05, CETOP 5, NG 10
Max. Operating Pressure	P, A, B: 345 Bar (5000 PSI) Standard CSA 207 Bar (3000 PSI) Tank: 207 Bar (3000 PSI) Standard CSA 103 Bar (1500 PSI)
Maximum Flow	See Spool Reference Chart
Leakage Rates 100 SSU @ 49°C (120°F)	Maximum Allowable: 19.7 cc (1.2 Cu. in.) per Minute/ Land @ 69 Bar (1000 PSI)* 73.8 cc (4.5 Cu. in.) per Minute/ Land @ 207 Bar (3000 PSI)* Typical: 4.9 cc (0.3 Cu. in.) per Minute/ Land @ 69 Bar (1000 PSI)* 26.2 cc (1.6 Cu. in.) per Minute/ Land @ 345 Bar (5000 PSI)

* #008 and #009 Spools may exceed these rates, consult factory.

A



Code	Description
K	12 VDC
J	24 VDC
D	120 VDC
Y*	120/60 AC 110/50
T*	240/60 AC 220/50

* Must be rectified.

Code	Description
N	Nitrile
V	Fluorocarbon

Code	Symbol	Code	Symbol
1		14	
2		15	
3		16	
4		20*	
5		21	
6		22	
7		26*	
8*		30**	
9**		81	
10		82	
11			
12			

Code	Description	Symbol
B*	Single solenoid, 2 position, spring offset. P to A and B to T in offset position	
C	Double solenoid, 3 position, spring centered.	
D†	Double solenoid, 2 position, detent	
E	Single solenoid, 2 position, spring centered. P to B and A to T when energized.	
F	Single solenoid, 2 position. Spring offset, energized to center. Position spool spacer on A side. P to A and B to T in spring offset position.	
H*	Single solenoid, 2 position, spring offset. P to B and A to T in offset position.	
K	Single solenoid, 2 position. Spring centered. P to A and B to T when energized.	
M	Single solenoid, 2 position, spring offset, energized to center position. Spool spacer on B side. P to B and A to T in spring offset position.	

* Only spools 20, 26 & 30.
 † Only spools 20 & 30.

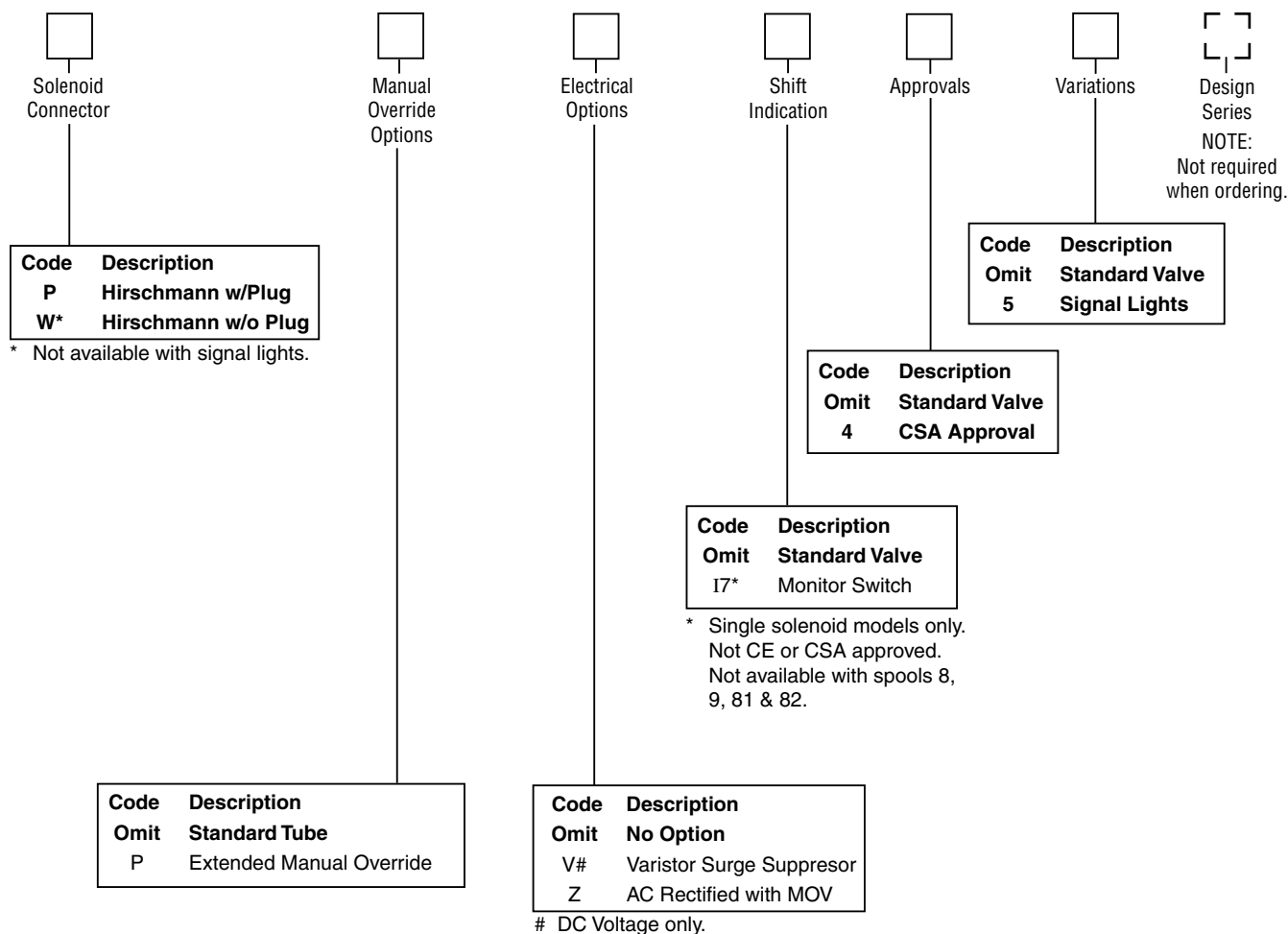
This condition varies with spool code.

* 8, 20 & 26 spools have closed crossover.
 ** 9 & 30 spools have open crossover.

Valve schematic symbols are per NFPA/ANSI standards, providing flow P to A when energizing solenoid A. Note operators reverse sides for #8 and #9 spools. See installation information for details.

Bold: Designates Tier I products and options.

Non-Bold: Designates Tier II products and options. These products will have longer lead times.



Mounting Bolt Kits

UNC Bolt Kits for use with D3DW Directional Control Valves & Sandwich Valves					
		Number of Sandwich Valves @ 2.00" (50mm) thickness			
		0	1	2	3
D3DW	Standard:	BK98 1.62"	BK141 3.50"	BK142 5.50"	BK143 7.50"
	Metric:	BKM98 40mm	BKM141 90mm	BKM142 140mm	BKM143 190mm

NOTE: All bolts are SAE grade 8, 1/4-20 UNC-2A thread, torque to 16 Nm (12 ft-lbs).

Valve Weight:

Single Solenoid	5.3 kg (11.6 lbs.)
Double Solenoid	7.3 kg (16.0 lbs.)

Seal Kit:

Nitrile	SKD3DW
Fluorocarbon	SKD3DWV

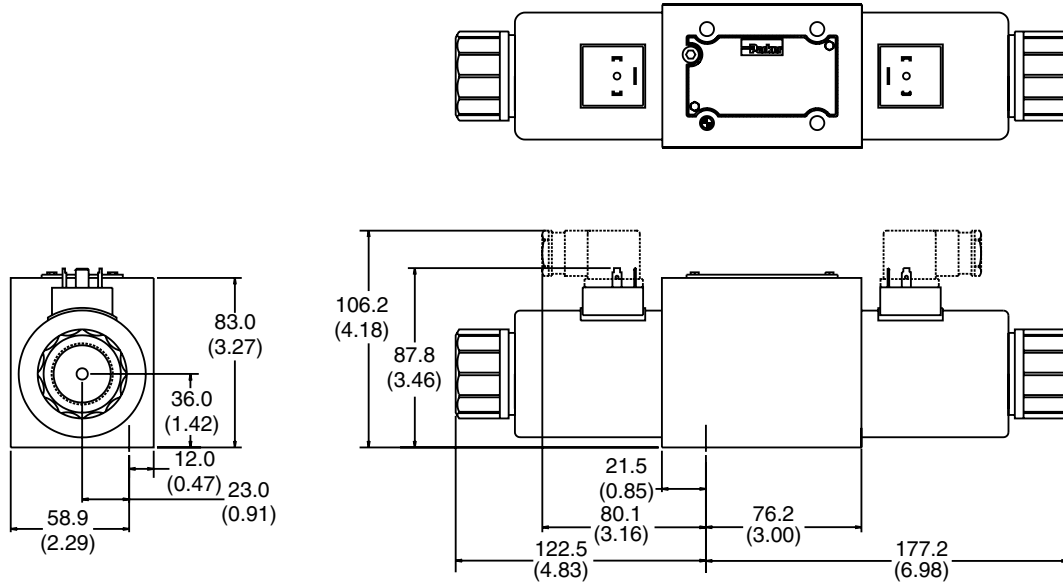
Bold: Designates Tier I products and options.

Non-Bold: Designates Tier II products and options. These products will have longer lead times.

Inch equivalents for millimeter dimensions are shown in (**)

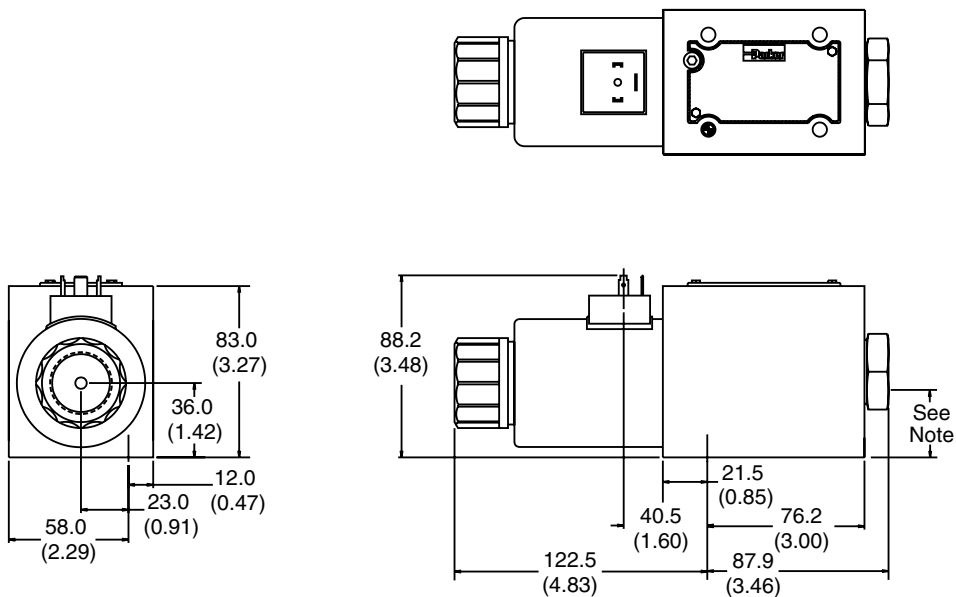
A

Hirschmann, Double DC Solenoid

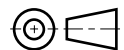


Note: 30.0mm (1.18") from bottom of bolt hole counterbore to bottom of valve.

Hirschmann, Single DC Solenoid

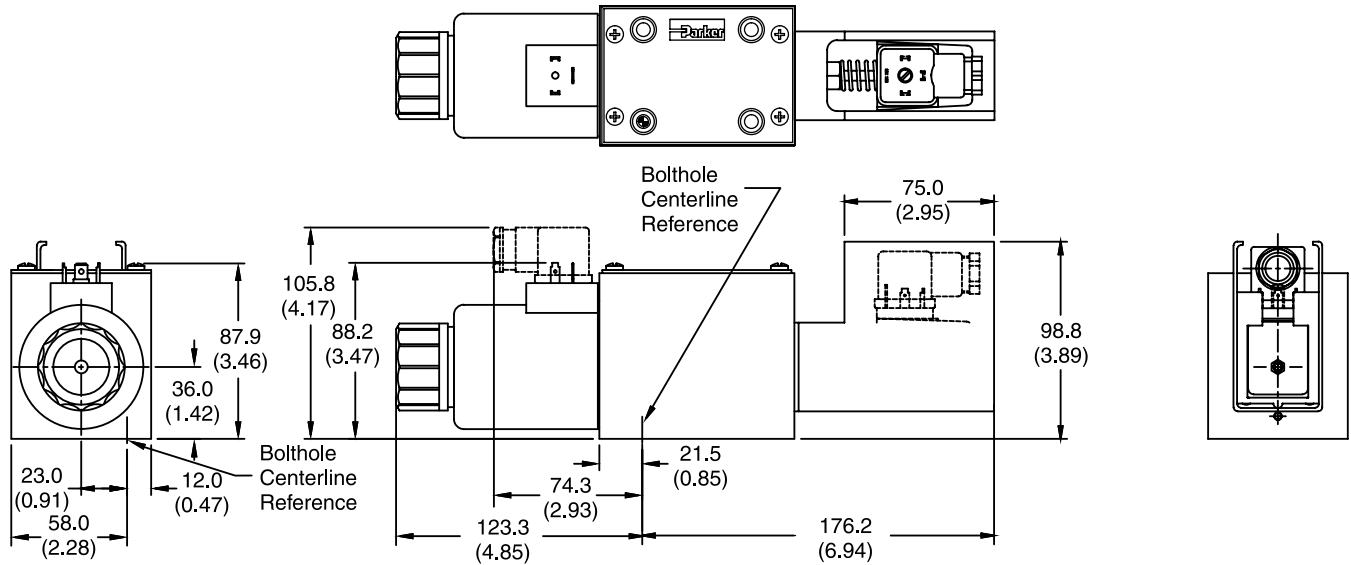


Note: 30.0mm (1.18") from bottom of bolt hole counterbore to bottom of valve.



Inch equivalents for millimeter dimensions are shown in (**)

**Hirschmann, Single DC Solenoid
with Variation I7 (Monitor Switch)**



Note: 30.0mm (1.18") from bottom of bolt hole counterbore to bottom of valve.

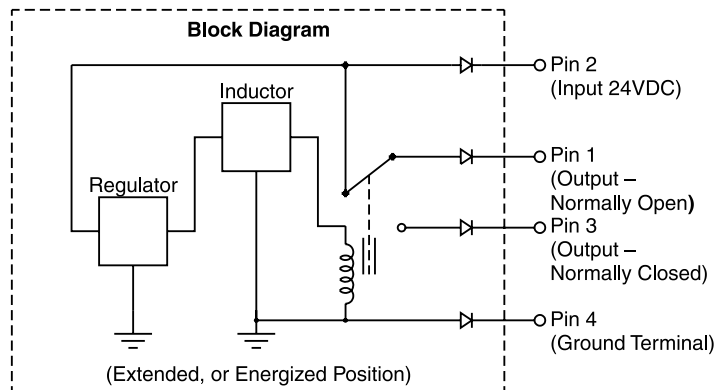


**Monitor Switch
(Variation I7) End of Stroke**

This feature provides for electrical confirmation of the spool shift. This can be used in safety circuits, to assure proper sequencing, etc.

Switch Data

Inductive switch requiring +18-42 volt input. Outputs "A" and "B" are opposite; one at "0" voltage, the other at input voltage. During switching, "A" and "B" outputs reverse. Provides 0.4A switching current.



For repetitive switch power-up conditions, please consult factory.

General Description

Series D3A directional control valves are high performance, 4-chamber, direct operated, air pilot controlled, 4-way valves. They are available in 2 or 3-position and conform to NFPA's D05/CETOP 5 mounting patterns.

Features

- Low pilot pressure required – 4.1 Bar (60 PSI) minimum.
- High flow, low pressure drop design.

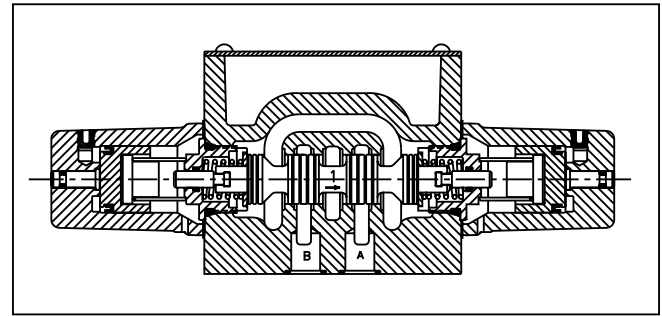
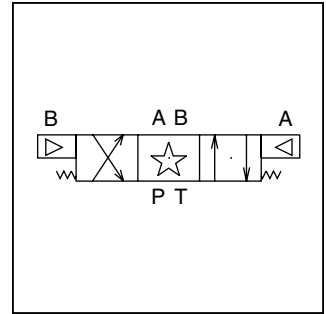
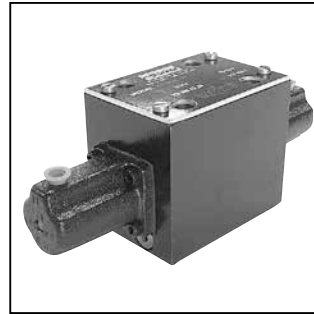
Specifications

Mounting Pattern	NFPA D05, CETOP 5, NG 10
Maximum Pressure	Operating: 345 Bar (5000 PSI) Tank Line: 34 Bar (500 PSI)
Maximum Flow	See Spool Reference Chart
Pilot Pressure	Air Minimum 4.1 Bar (60 PSI) Air Maximum 6.9 Bar (100 PSI)

Air Operated

Shift Volume. The air pilot chamber requires a volume of 1.8 cc (.106 in.³) for complete shift from center to end.

Pilot Piston. The pilot piston area is 506 mm² (.785 in.²). Pilot piston stroke is 3.4 mm (.135 in.).

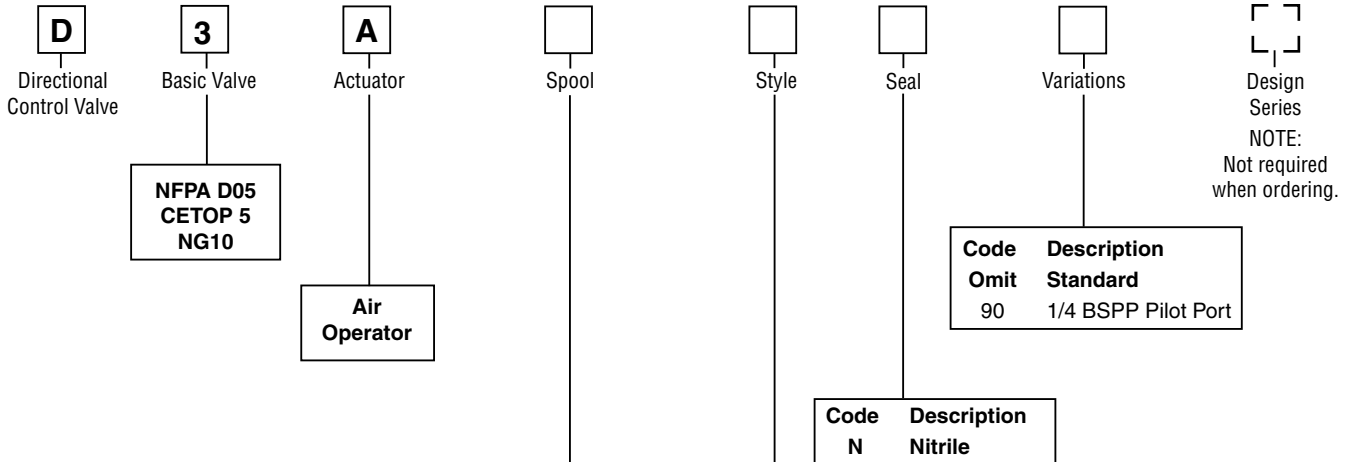


Response Time* (ms)

Signal to 95% spool stroke measured at 172 Bar (2500 PSI) and 75 LPM (20 GPM)

Pilot Pressure	Pull-In	Drop-Out
60 PSI	23.0 ms	23.0 ms
100 PSI	19.0 ms	38.0 ms

* Chart is for reference only. Response time will vary with pilot line size, length, air pressure and air valve flow capacity (Cv).



Code	Symbol	Code	Symbol
1		20*	
2		30†	
4		81	
8*		82	
9†			

* 8 and 20 spools have closed crossover.
 † 9 and 30 are open crossover.

Valve schematic symbols are per NFPA/ANSI standards, providing flow P to A when energizing operator A. Note operators reverse sides for #8 and #9 spools. See installation information for details.

Code	Description	Symbols
B #	Single operator, two position spring offset. P to A and B to T in offset position.	
C	Double operator, three position, spring centered.	
D #	Double operator, two position, detent.	
E	Two position, spring centered. P to B and A to T in shifted position.	
H #	Single operator, two position, spring offset. P to B and A to T in offset position.	
K	Two position, spring centered. P to A and B to T in shifted position.	

B, D & H styles available with 20 and 30 spools only.

Indicates air pilot.

This condition varies with spool code.

Mounting Bolt Kits

UNC Bolt Kits for use with D3A Directional Control Valves & Sandwich Valves					
		Number of Sandwich Valves @ 2.00" (50mm) thickness			
		0	1	2	3
D3A	Standard:	BK98 1.62"	BK141 3.50"	BK142 5.50"	BK143 7.50"
	Metric:	BKM98 40mm	BKM141 90mm	BKM142 140mm	BKM143 190mm

NOTE: All bolts are SAE grade 8, 1/4-20 UNC-2A thread, torque to 16 Nm (12 ft-lbs).

Valve Weight: 4.1 kg (9 lbs.)
Seal Kit:
 Nitrile SKD3A
 Fluorocarbon SKD3AV

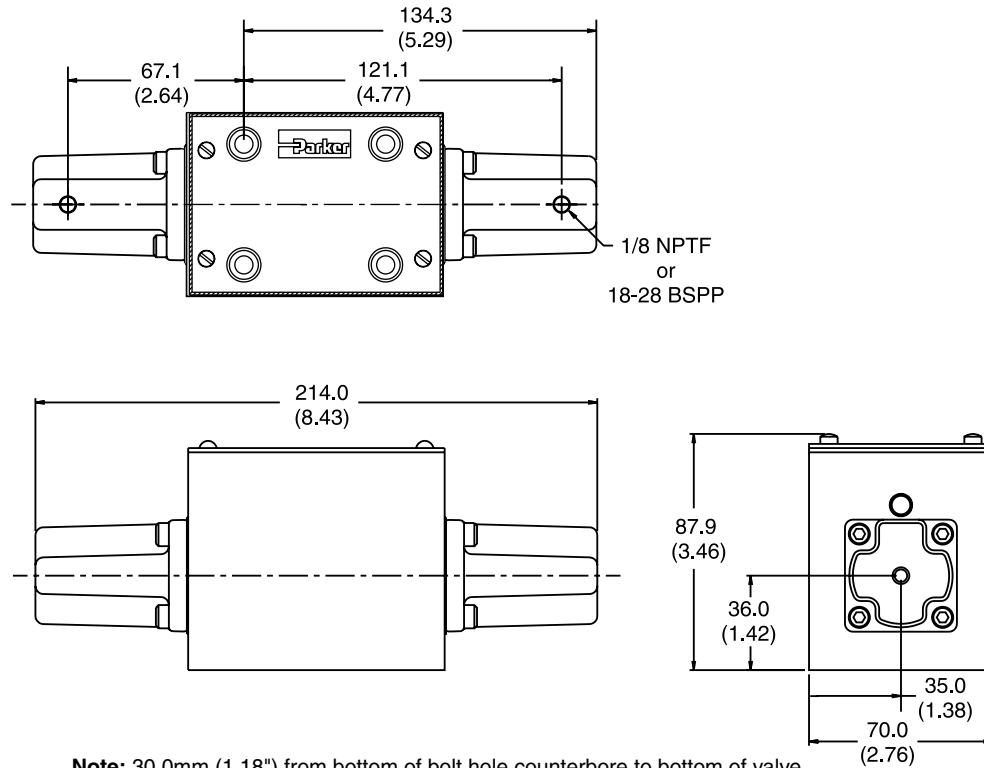
Bold: Designates Tier I products and options.

Non-Bold: Designates Tier II products and options. These products will have longer lead times.

Inch equivalents for millimeter dimensions are shown in (**)

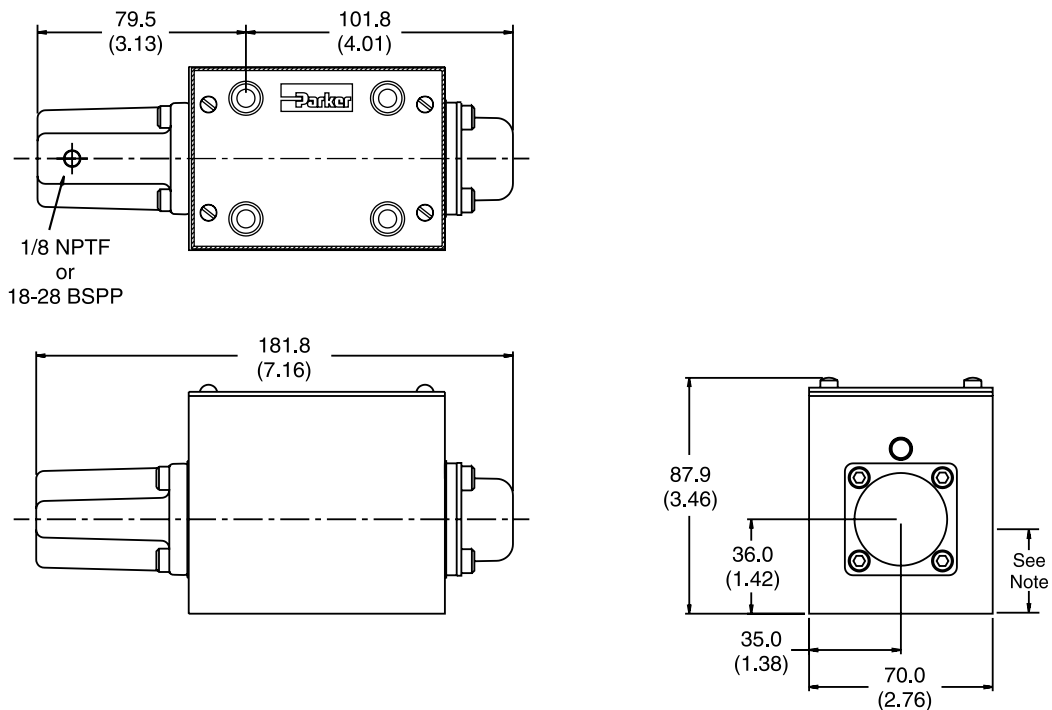
A

Air Operated, Double Pilot

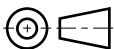


Note: 30.0mm (1.18") from bottom of bolt hole counterbore to bottom of valve.

Air Operated, Single Pilot



Note: 30.0mm (1.18") from bottom of bolt hole counterbore to bottom of valve.



General Description

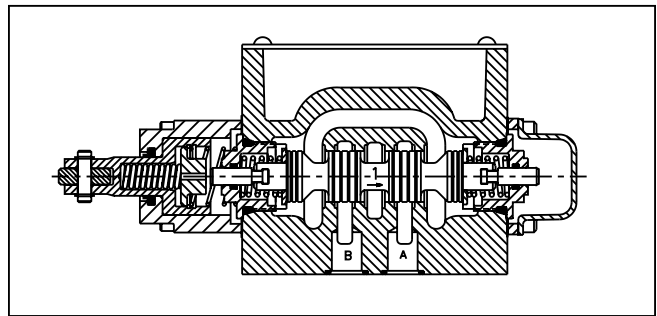
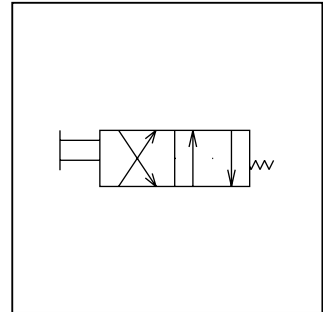
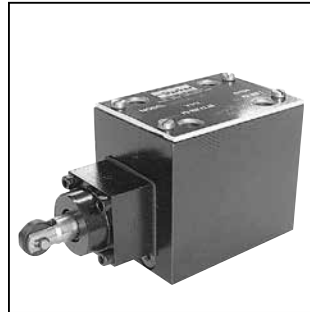
Series D3C and D3D directional control valves are high performance, 4-chamber, direct operated, cam controlled, 3 or 4-way valves. They are available in 2-position and conform to NFPA's D05, CETOP 5 mounting patterns.

Features

- Choice of 2 cam roller positions (D3C and D3D).
- Short stroke option.
- High flow, low pressure drop design.

Specifications

Mounting Pattern	NFPA D05, CETOP 5, NG 10
Maximum Pressure	Operating: 345 Bar (5000 PSI) Tank Line: 34 Bar (500 PSI)
Maximum Flow	See Spool Reference Chart
Force Required to Shift	235 N (53 lbs.)
Maximum Cam Angle	30°



Ordering Information

<div style="border: 1px solid black; padding: 2px; width: 30px; margin: 0 auto;">D</div> <p>Directional Control Valve</p>	<div style="border: 1px solid black; padding: 2px; width: 30px; margin: 0 auto;">3</div> <p>Basic Valve</p>	<div style="border: 1px solid black; width: 30px; height: 30px; margin: 0 auto;"></div> <p>Actuator</p>	<div style="border: 1px solid black; width: 30px; height: 30px; margin: 0 auto;"></div> <p>Spool</p>	<div style="border: 1px solid black; width: 30px; height: 30px; margin: 0 auto;"></div> <p>Style</p>	<div style="border: 1px solid black; width: 30px; height: 30px; margin: 0 auto;"></div> <p>Seal</p>	<div style="border: 1px solid black; width: 30px; height: 30px; margin: 0 auto;"></div> <p>Variations</p>	<div style="border: 1px dashed black; width: 30px; height: 30px; margin: 0 auto;"></div> <p>Design Series</p>									
	<p>NFPA D05 CETOP 5 NG10</p>															
	<table border="0"> <tr> <th>Code</th> <th>Description</th> </tr> <tr> <td>C</td> <td>Cam (90° to mounting surface)</td> </tr> <tr> <td>D</td> <td>Cam parallel to mounting surface</td> </tr> </table>	Code	Description	C	Cam (90° to mounting surface)	D	Cam parallel to mounting surface									
Code	Description															
C	Cam (90° to mounting surface)															
D	Cam parallel to mounting surface															
			<table border="0"> <tr> <th>Code</th> <th>Description</th> </tr> <tr> <td>N</td> <td>Nitrile</td> </tr> <tr> <td>V</td> <td>Fluorocarbon</td> </tr> </table>	Code	Description	N	Nitrile	V	Fluorocarbon							
Code	Description															
N	Nitrile															
V	Fluorocarbon															
						<table border="0"> <tr> <th>Code</th> <th>Description</th> </tr> <tr> <td>Omit</td> <td>Standard</td> </tr> <tr> <td>B5</td> <td>Short Stroke</td> </tr> </table>	Code	Description	Omit	Standard	B5	Short Stroke				
Code	Description															
Omit	Standard															
B5	Short Stroke															
			<table border="0"> <tr> <th>Code</th> <th>Description</th> <th>Symbol</th> </tr> <tr> <td>B</td> <td>Two position, spring offset operator at "A" port end.</td> <td></td> </tr> <tr> <td>H</td> <td>Two position, spring offset operator at "B" port end.</td> <td></td> </tr> </table>	Code	Description	Symbol	B	Two position, spring offset operator at "A" port end.		H	Two position, spring offset operator at "B" port end.					
Code	Description	Symbol														
B	Two position, spring offset operator at "A" port end.															
H	Two position, spring offset operator at "B" port end.															
			<p>Valve schematic symbols are per NFPA/ANSI standards. See installation information for details.</p>													
							<p>Valve Weight: 3.6 kg (8 lbs.)</p> <p>Seal Kit: Nitrile SKD3C Fluorocarbon SKD3CV</p>									

* 20 spool has closed crossover.
 † 30 spool has open crossover.

Bold: Designates Tier I products and options.

Non-Bold: Designates Tier II products and options. These products will have longer lead times.

Mounting Bolt Kits

A

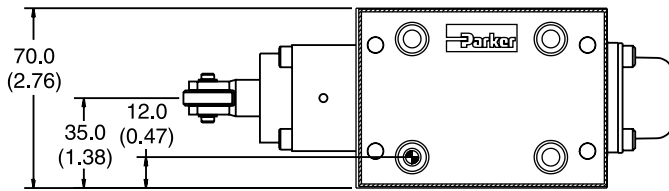
UNC Bolt Kits for use with D3C & D3D Directional Control Valves & Sandwich Valves					
		Number of Sandwich Valves @ 2.00" (50mm) thickness			
		0	1	2	3
D3C, D3D	Standard:	BK98 1.62"	BK141 3.50"	BK142 5.50"	BK143 7.50"
	Metric:	BKM98 40mm	BKM141 90mm	BKM142 140mm	BKM143 190mm

NOTE: All bolts are SAE grade 8, 1/4-20 UNC-2A thread, torque to 16 Nm (12 ft-lbs)

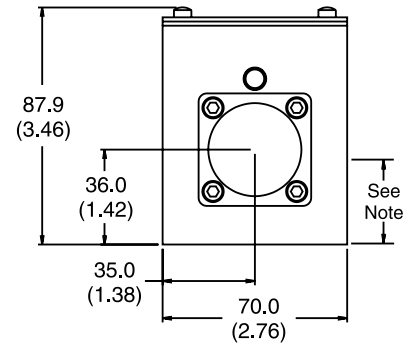
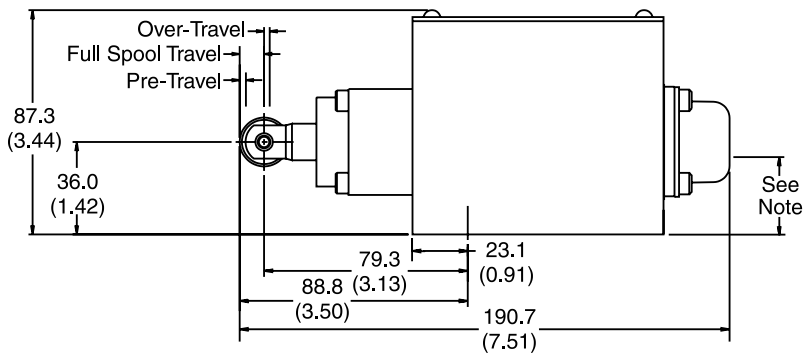
Dimensions

Inch equivalents for millimeter dimensions are shown in (**)

Cam Operated



Valve Type	Pre-Travel	Full Spool Travel	Over-Travel
Standard Valve	1.75 (0.07)	5.75 (0.23)	2.03 (0.08)
B5 Short Stroke	0 (0)	4.00 (0.16)	2.03 (0.08)



Note: 30.0mm (1.18") from bottom of bolt hole counterbore to bottom of valve.



General Description

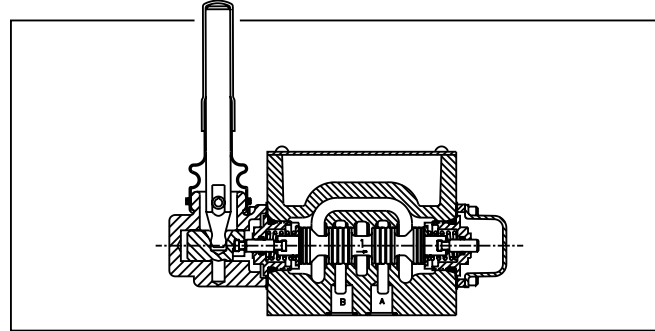
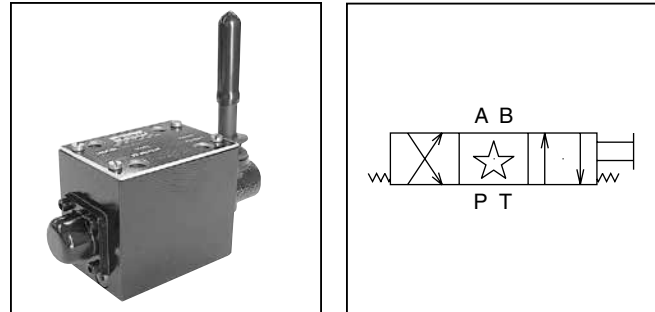
Series D3L directional control valves are high performance, 4-chamber, direct operated, lever controlled, 4-way valves. They are available in 2 or 3-position and conform to NFPA's D05, CETOP 5 mounting patterns.

Features

- Spring return or detent styles available.
- High flow, low pressure drop design.
- Heavy duty handle design.

Specifications

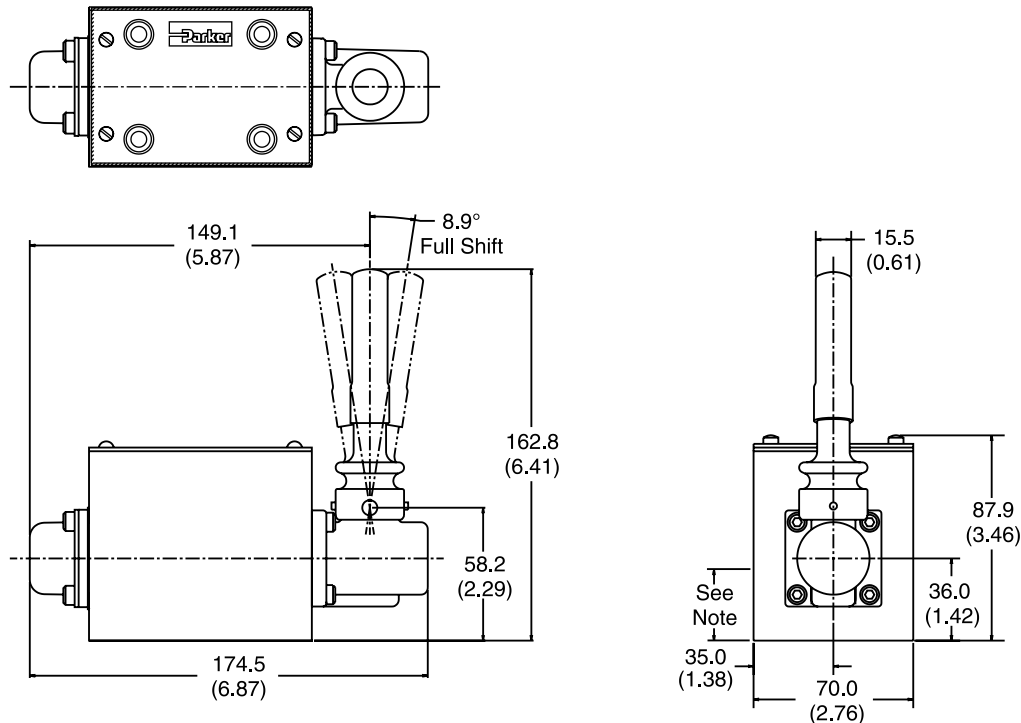
Mounting Pattern	NFPA D05, CETOP 5, NG 10
Maximum Pressure	Operating: 345 Bar (5000 PSI) Tank Line: 34 Bar (500 PSI)
Maximum Flow	See Spool Reference Chart
Force Required to Shift Lever Operator	173 N (39 lbs.)



Dimensions

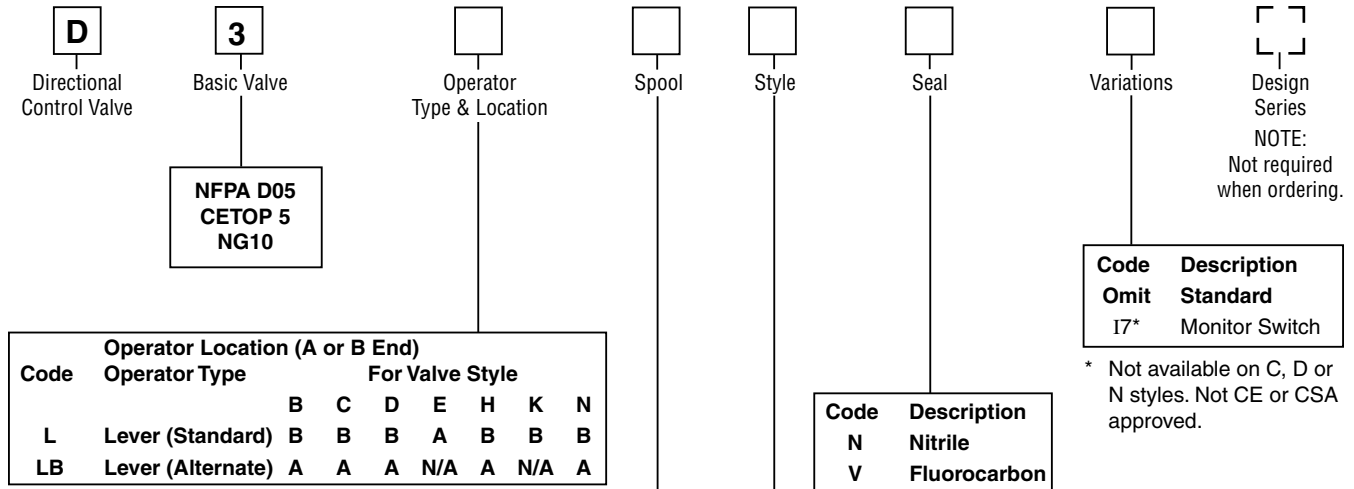
Inch equivalents for millimeter dimensions are shown in (**)

Lever Operated D3L



Note: 30.0mm (1.18") from bottom of bolt hole counterbore to bottom of valve.

A



Code	Symbol	Code	Symbol
1		20*	
2		30†	
4		81	
8*		82	
9†			

* 8 and 20 spools have closed crossover.
 † 9 and 30 are open crossover.

Valve schematic symbols are per NFPA/ANSI standards, providing flow P to A when energizing operator A. Note operators reverse sides for #8 and #9 spools. See installation information for details.

Code	Description	Symbol
B*	Two position, spring offset. P to A and B to T in offset position.	
C	Three position, spring centered.	
D*	Two position, detent.	
E	Two position, spring centered. P to B and A to T in shifted position.	
H*	Two position, spring offset. P to B and A to T in offset position.	
K	Two position, spring centered. P to A and B to T in shifted position.	
N	Three position, detent.	

* 20 and 30 spools only.

This condition varies with spool code.

Mounting Bolt Kits

UNC Bolt Kits for use with D3L Directional Control Valves & Sandwich Valves					
		Number of Sandwich Valves @ 2.00" (50mm) thickness			
		0	1	2	3
D3L	Standard:	BK98 1.62"	BK141 3.50"	BK142 5.50"	BK143 7.50"
	Metric:	BKM98 40mm	BKM141 90mm	BKM142 140mm	BKM143 190mm

Valve Weight: 3.6 kg (8 lbs.)
Seal Kit:
 Nitrile SKD3L
 Fluorocarbon SKD3LV

NOTE: All bolts are SAE grade 8, 1/4-20 UNC-2A thread, torque to 16 Nm (12 ft-lbs).

Bold: Designates Tier I products and options.

Non-Bold: Designates Tier II products and options. These products will have longer lead times.

Fluid Recommendations

Premium quality hydraulic oil with a viscosity range between 32-54 cSt (150-250 SSU) at 38°C (100°F) is recommended. The absolute operation viscosity range is from 16-220 cSt (80-1000 SSU). Oil should have maximum anti-wear properties and rust and oxidation treatments.

Fluids and Seals

Valves using synthetic, fire-resistant fluids require special seals. When phosphate ester or its blends are used, FLUOROCARBON seals are required. Water-glycol, water-in-oil emulsions, and petroleum oil may be used with NITRILE seals.

Temperature Recommendation

Recommended oil temperature:
 -29°C to +71°C (-20°F to +160°F)

Filtration

For maximum valve and system component life, the system should be protected at a contamination level not to exceed 125 particles greater than 10 microns per milliliter of fluid. (SAE Class 4 or better, ISO Code 16/13).

Tank Line Surges

If several valves are piped with a common tank line, flow surges in the line may cause unexpected spool shift. Detent style valves are most susceptible to this. Separate tank lines should be used when line surges are expected in an application.

Recommended Mounting Position

Valve Type	Recommended Mounting Position
Detent (Solenoid)	Horizontal
Spring Offset	Unrestricted
Spring Centered	Unrestricted

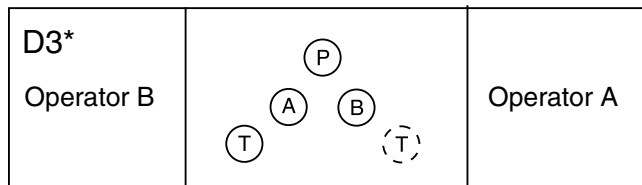
Silting

Silting can cause any sliding spool valve to stick and not spring return, if held shifted under pressure for long periods of time. The valve should be cycled periodically to prevent sticking.

Single Pass Operation

Valve flow ratings are for double pass operation (with equal flow in both paths). When using these components in single pass applications, flow capabilities may be reduced. Consult your local Parker representative for details.

Flow Path Data



*Note: On valves with 008 or 009 spool, A and/or B operators reverse sides. Flow paths remain the same as viewed from top of valve.



Double Solenoid. With solenoid “A” energized, flow path is P→A and B→T. When solenoid “B” is energized, flow path is P→B and A→T. The center condition on a spring-centered valve exists when both coils are de-energized, or during a complete shift, as the spool passes through center.

Detent and Spring Offset. The center condition exists on detent and spring offset valves only during spool crossover. To shift and hold a detented spool, only a momentary energizing of the solenoid is necessary. The minimum duration of the signal is approximately 0.13 seconds for both AC and DC voltages. This position will be held provided the spool center line is in a horizontal plane, and no shock or vibration is present to displace the spool.

Single Solenoid. Spring offset valves can be ordered in six styles: B, E, F, H, K and M. Flow path data for the various styles are described in the order chart.

Lever Operated (on B end)

Pull lever away from valve P→A; B→T
 Push lever toward valve P→B; A→T

Note: Reverse with a #8 or #9 spool.

Electrical Failure

Should electric power fail, spring offset and spring centered valves will shift to the spring held position. Detented valves will stay in the last position held before power failure. If main flow does not fail or stop simultaneously, machine actuators may continue to function in an undesirable manner or sequence.

Loss of Pilot Pressure (D3A)

Should a loss of pilot pressure occur, spring offset and spring centered valves will shift to the spring held position. Detented valves will remain in the last position held. If main hydraulic flow does not simultaneously stop, machine actuators may continue to function in an undesirable manner or sequence.

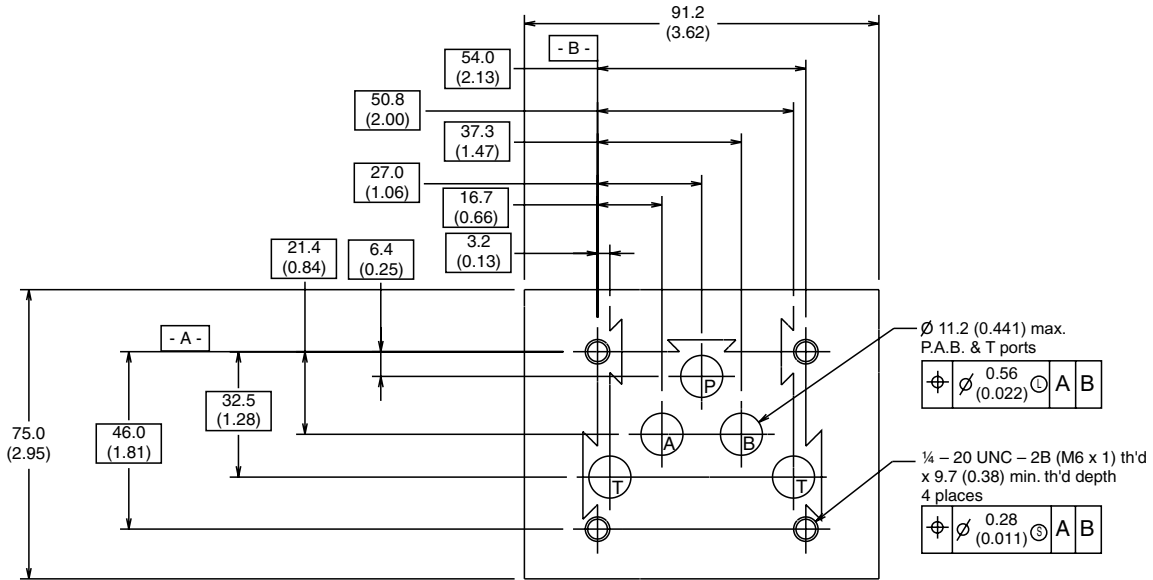
Torque Specifications

Torque values recommended for the bolts which mount the valve to the manifold or subplate are as follows:

1/4-20 thread (M6x1) torque 16.0 Nm (12 ft-lbs).

Mounting Pattern — NFPA, D05, CETOP 5, NG 10

Inch equivalents for millimeter dimensions are shown in (**)



Application

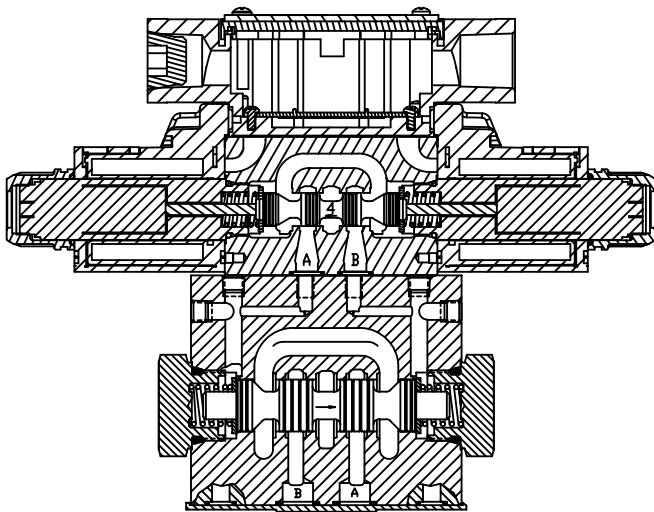
Series D31 hydraulic directional control valves are high performance, solenoid controlled, pilot operated, 2-stage, 4-way valves. They are available in 2 or 3-position styles and are manifold mounted. These valves conform to NFPA's D05H, CETOP 5 and can also be manufactured to an NFPA D05HE, CETOP 5H configuration.

Operation

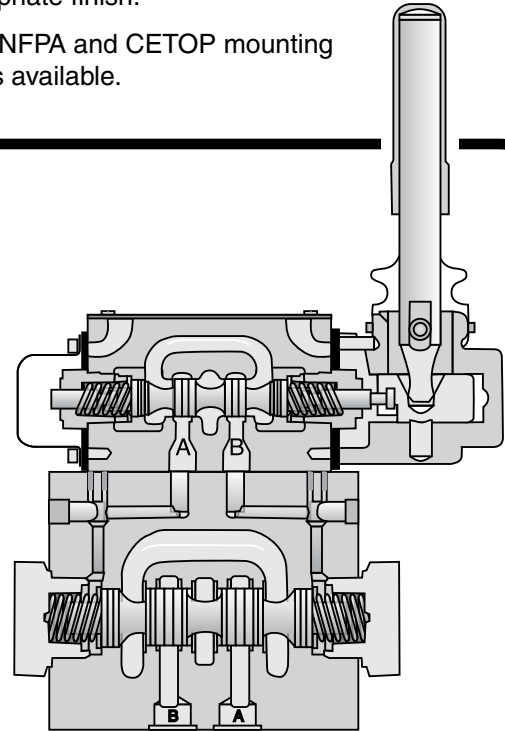
Series D31 directional valves consist of a 5-chamber style main body, a case hardened sliding spool, and a pilot valve or pilot operators (hydraulic or pneumatic).

Features

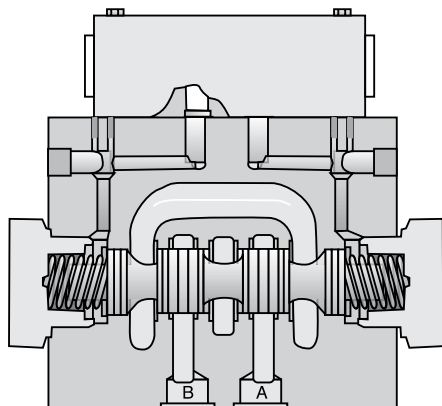
- Easy access mounting bolts.
- 345 Bar (5000 PSI) pressure rating.
- Flows to 175 LPM (45 GPM) depending on spool.
- Choice of four operator styles.
- Rugged four land spools.
- Low pressure drop.
- Phosphate finish.
- Both NFPA and CETOP mounting styles available.



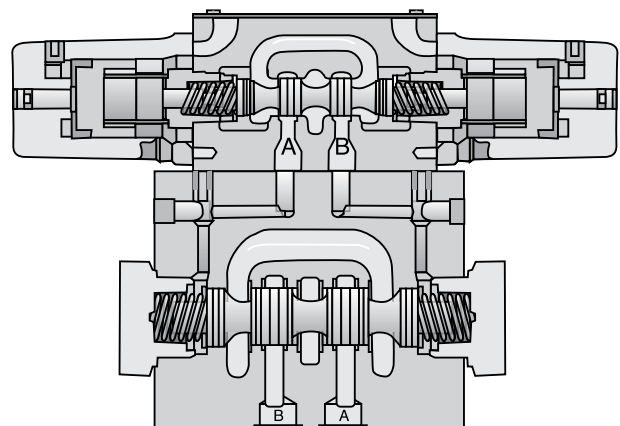
D31*W Solenoid Operated Plug-In Conduit Box



D31*L Lever Operated



D3*P Oil Pilot Operated



D31*A Air Pilot Operated





General Description

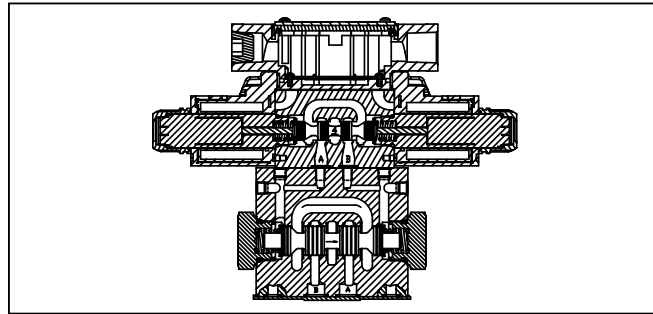
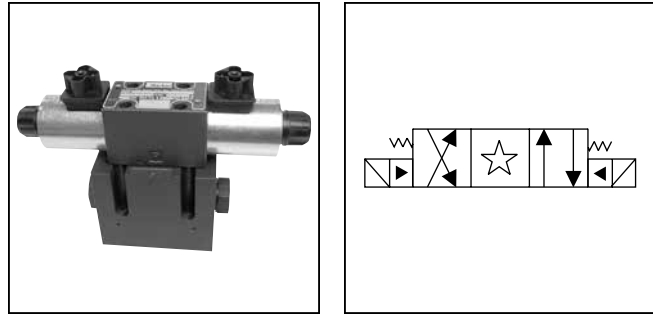
Series D31 directional control valves are 5-chamber, pilot operated, solenoid controlled valves. The valves are suitable for manifold or subplate mounting.

Features

- **World design** – Available worldwide.
- **Mounting bolts below center line of spool** – Minimizes spool binding.
- **Five chamber style** – Eliminates pressure spikes in tubes, increasing valve life.
- **High pressure and flow ratings** – Increased performance options in a compact valve.

Specifications

Mounting Pattern	NFPA D05H, CETOP 5 NFPA D05HE, CETOP 5H
Max. Operating Pressure	345 Bar (5000 PSI) Standard 207 Bar (3000 PSI) 10 Watt CSA  207 Bar (3000 PSI)
Max. Tank Line Pressure	Internal Drain Model: 103 Bar (1500 PSI) AC Std. 207 Bar (3000 PSI) DC Std./AC Opt. External Drain Model: 207 Bar (3000 PSI) CSA  103 Bar (1500 PSI)
Max. Drain Pressure	103 Bar (1500 PSI) AC only 207 Bar (3000 PSI) DC Std./AC Opt. CSA  103 Bar (1500 PSI)
Min. Pilot Pressure	6.9 Bar (100 PSI)
Max. Pilot Pressure	345 Bar (5000 PSI) Standard CSA  207 Bar (3000 PSI)
Nominal Flow	76 Liters/Min (20 GPM)
Maximum Flow	See Switching Limit Charts



Response Time

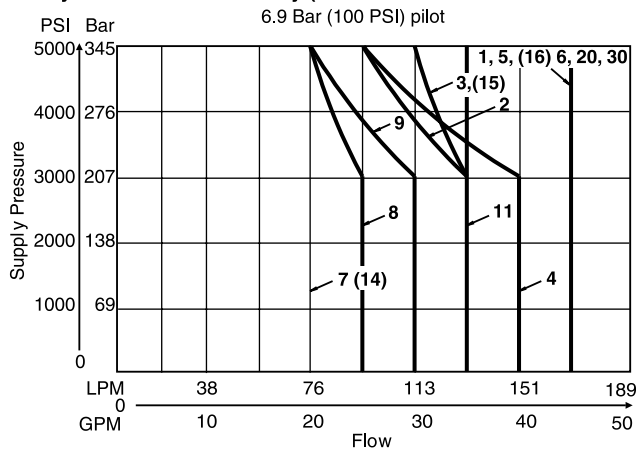
Response time (milliseconds)
 at 345 Bar (5000 PSI) is 76 LPM (20 GPM)

Solenoid Type	Pilot Pressure	Pull-In	Drop-Out
DC	500	40	50
	1000	36	50
	2000	34	50
AC	500	20	33
	1000	18	33
	2000	13	33

Switching Limit Charts

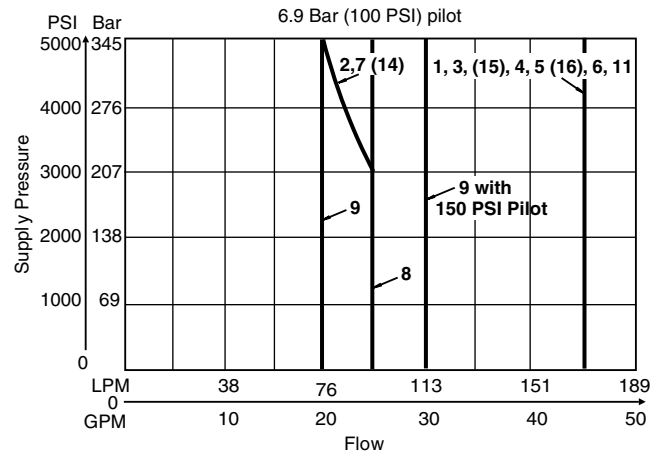
For Styles B, C, E, H and K

D Style – external drain only (For internal drain see note below)



Note: Internal Drain
 1, 4 spools – 113 LPM (30 GPM) max., 7 spool – per curve
 All others – 95 LPM (25 GPM) max.

For Styles F and M – external drain only
 (For internal drain see note below)



Note: Internal Drain
 1, 4 spools – 113 LPM (30 GPM) max., 2, 9 & 14 spools – per curve
 All others – 95 LPM (25 GPM) max.

A

<div style="border: 1px solid black; padding: 5px; width: fit-content; margin: 0 auto;"> D Directional Control Valve </div>	<div style="border: 1px solid black; padding: 5px; width: fit-content; margin: 0 auto;"> Basic Valve </div>	<div style="border: 1px solid black; padding: 5px; width: fit-content; margin: 0 auto;"> Actuator </div>	<div style="border: 1px solid black; padding: 5px; width: fit-content; margin: 0 auto;"> Spool </div>	<div style="border: 1px solid black; padding: 5px; width: fit-content; margin: 0 auto;"> Style </div>	<div style="border: 1px solid black; padding: 5px; width: fit-content; margin: 0 auto;"> Pilot Supply and Drain </div>	<div style="border: 1px solid black; padding: 5px; width: fit-content; margin: 0 auto;"> Seal </div>	<div style="border: 1px solid black; padding: 5px; width: fit-content; margin: 0 auto;"> Solenoid Voltage </div>
---	---	--	---	---	--	--	--

Code	Description
31D	NFPA D05HE, CETOP 5H, DIN NG10, D03 Pilot, ISO Port
31V	NFPA D05H, CETOP 5, D03 Pilot, NFPA Port

Code	Description
W#	Solenoid, Wet Pin, Screw-in
HW#	Reversed Wiring

Code	Description
N	Nitrile
V	Fluorocarbon

Code	Description
1*	Internal Pilot, External Drain
2*	External Pilot, External Drain
4#	Internal Pilot, Internal Drain
5	External Pilot, Internal Drain

Code	Description
A**	24/50 VAC
D	120 VDC
G	198 VDC
J	24 VDC
K	12 VDC
N***	220/50 VAC
P***	110/50 VAC
Q**	100/60 VAC
QD†	100 VAC/60 Hz 100 VAC/50 Hz
R	24/60 VAC
T	240/60 - 220/50 VAC
U	98 VDC
Y	120/60 - 110/50 VAC
Z	250 VDC

Valve schematic symbols are per NFPA/ANSI standards, providing flow P to A when energizing solenoid A. Note operators reverse sides for #008 and #009 spools. See installation information for details. To configure per DIN standards (A coil over A port, B coil over B port) code valves as D31VHW***.

* F and M style available only with external drain.
 # Not available with 002, 007, 008, 009 or 014 spools.
 ** High watt only.
 *** Explosion proof only.
 † Available in DIN only.

Code	Symbol	Code	Symbol
001		011	
002		012	
003		014	
004		015	
005		016	
006		020*	
007		030**	
008*		081	
009**		082	
010			

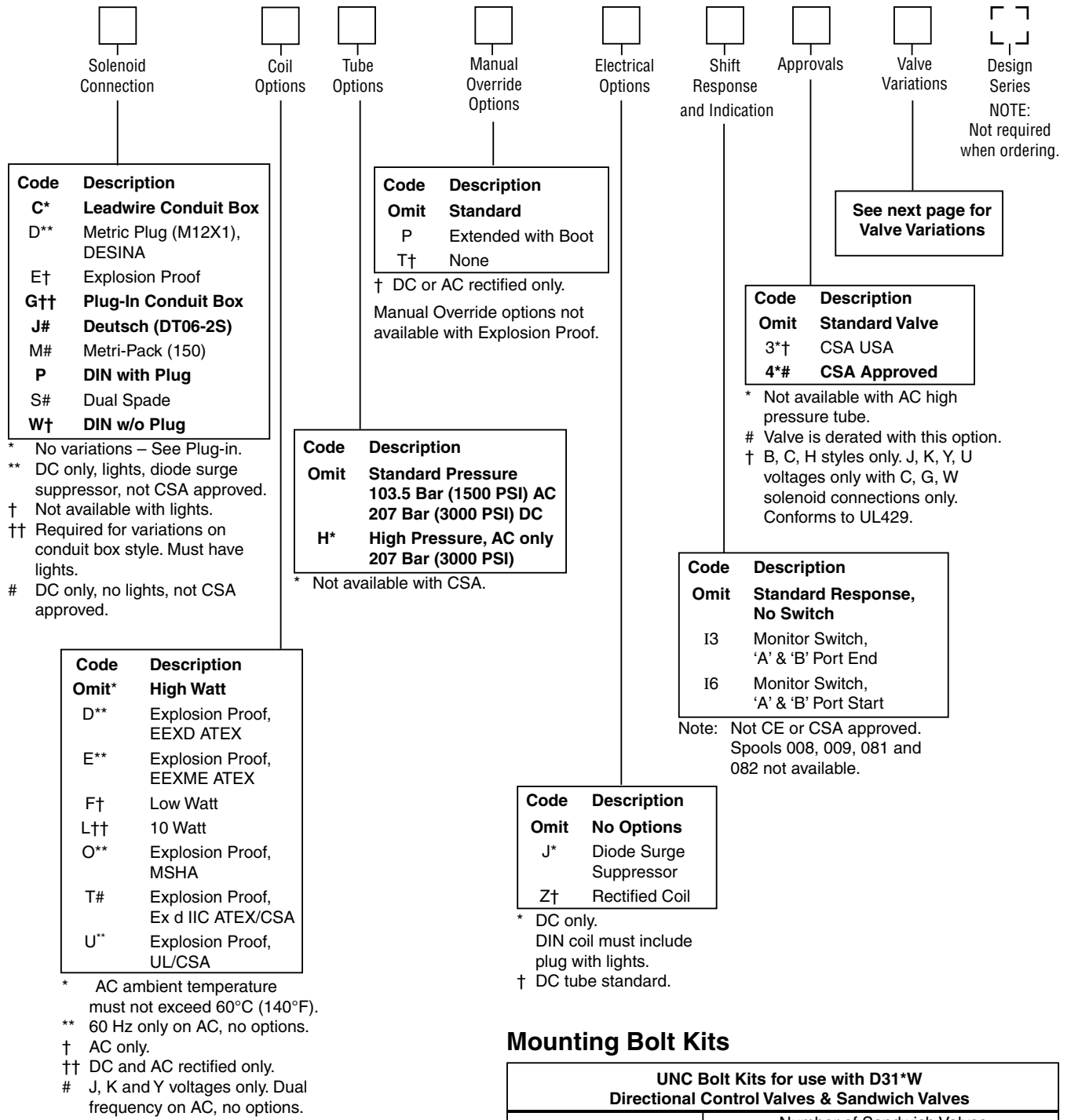
Code	Description	Symbol
B*	Single solenoid, 2 position, spring offset. P to A and B to T in offset position.	
C	Double solenoid, 3 position, spring centered.	
D*	Double solenoid, 2 position, detent.	
E	Single solenoid, 2 position, spring centered. P to B and A to T when energized.	
F†	Single solenoid, 2 position, spring offset, energized to center. Spacer on A side. P to A and B to T in offset position.	
H*	Single solenoid, 2 position, spring offset. P to B and A to T in offset position.	
K	Single solenoid, 2 position, spring centered. P to A and B to T when energized.	
M†	Single solenoid, 2 position, spring offset, energized to center. Spacer on B side. P to B and A to T in offset position.	

* 020 and 030 spools only.
 † High watt only.

* 008 & 020 spools have closed crossover.
 ** 009 & 030 spools have open crossover.

Bold: Designates Tier I products and options.

Non-Bold: Designates Tier II products and options. These products will have longer lead times.



Mounting Bolt Kits

UNC Bolt Kits for use with D31*W Directional Control Valves & Sandwich Valves					
		Number of Sandwich Valves @ 2.00" (50mm) thickness			
		0	1	2	3
D31*W	Standard:	BK98 1.62"	BK141 3.50"	BK142 5.50"	BK143 7.50"
	Metric:	BKM98 40mm	BKM141 90mm	BKM142 140mm	BKM143 190mm

NOTE: All bolts are SAE grade 8. Standard bolts are 1/4-20 UNCA thread. Metric bolts are M6-1.0 thread. Torque to 16 Nm (12 ft-lbs).

Bold: Designates Tier I products and options.

Non-Bold: Designates Tier II products and options. These products will have longer lead times.

Valve Variations

A

Code	Description
5*	Signal Lights – Standard
	Signal Lights – Hirsch. (DIN with Plug)
7B**	Manaplug – Brad Harrison (12x1) Micro with Lights
56**	Manaplug (Mini) with Lights
20	Fast Response
1C**	Manaplug (Mini) Single Sol. 5-pin, with Lights
1D**	Manaplug (Micro) Single Sol. 5-pin, with Lights
1G**	Manaplug (Mini) Single Sol. 5-pin, with Stroke Adjust 'A' & 'B' End and Lights
1H**	Manaplug (Micro) Single Sol. 5-pin, with Stroke Adjust 'A' & 'B' End and Lights
1M**	Manaplug Opposite Normal
1P	Painted Body
1R	Stroke Adjust 'A' & 'B' End with Pilot Choke Meter In
3A	Pilot Choke Meter Out
3B	Pilot Choke Meter In
3C	Pilot Pressure Reducer
3D	Stroke Adjust 'B' End
3E	Stroke Adjust 'A' End
3F	Stroke Adjust 'A' & 'B' End
3G*	Pilot Choke Meter Out with Lights
3H*	Pilot Choke Meter In with Lights
3J*	Pilot Pressure Reducer with Lights
3K	Pilot Choke Meter Out with Stroke Adjust 'A' & 'B' End
3L**	Pilot Choke Meter Out, Stroke Adjust 'A' & 'B' End with Lights and Manaplug — Brad Harrison Mini
3M	Pilot Choke Meter Out, Pilot Pressure Reducer, Stroke Adjust 'A' & 'B' End
3R	Pilot Choke Meter Out & Pilot Pressure Reducer
3S**	Lights, Mini Manaplug, Pilot Choke Meter Out
7Y**	M12x1 Manaplug (4-pin), Special Wiring, and Lights

* DESINA, plug-in conduit box, and DIN with plug styles only.

** Must have plug-in style conduit box.

D31 Series Pressure Drop vs. Flow

The chart below provides the flow vs. pressure drop curve reference for the D31 Series valves by spool type.

Example:

Find the pressure drop at 76 LPM (20 GPM) for a D31 with a number 1 spool. To the right of spool number 1, locate the number 3 in the P-A column, and 2 in the B-T column.

Using the graph at the bottom, locate curves 2 and 3 and read the pressure drop values. Total pressure drop through the valve is the sum of the two values.

Note: Pressure drops should be checked for all flow paths, especially when using non-symmetrical spools (003, 005, 007, 014, 015 and 016) and unbalanced actuators.

D31 Pressure Drop Reference Chart

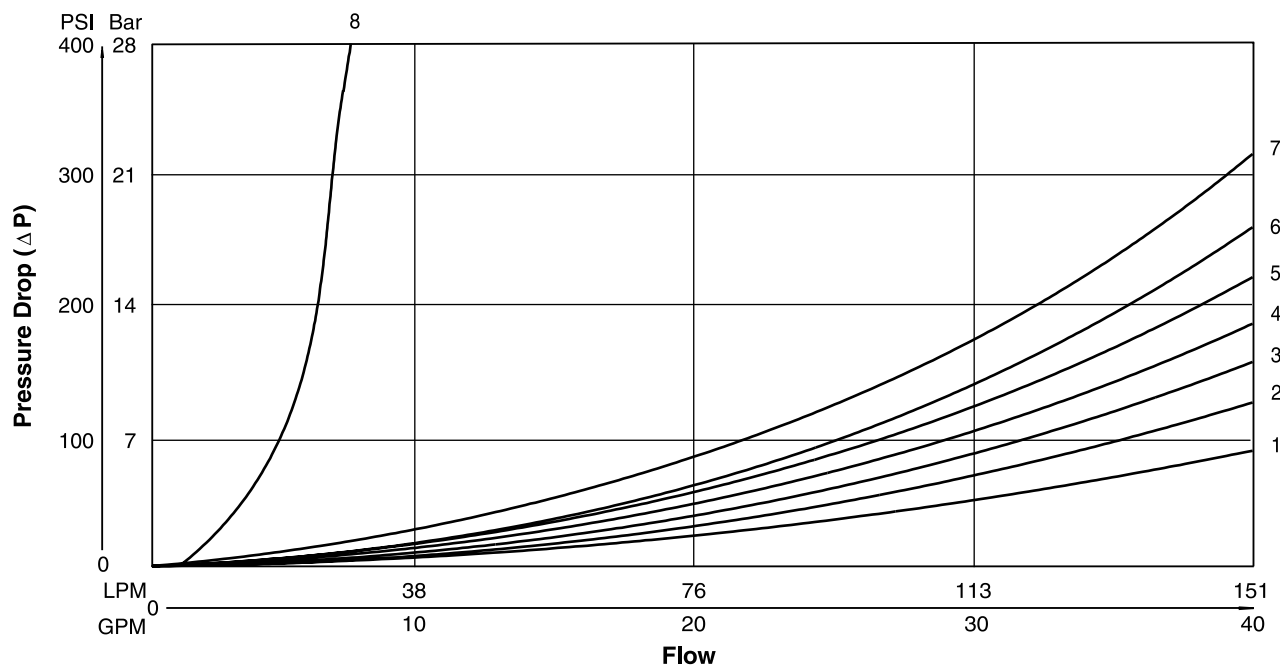
Spool No.	Curve Number										
	Shifted				Center Condition						
	P-A	P-B	B-T	A-T	(P-T)	(B-A)	(A-B)	(P-A)	(P-B)	(A-T)	(B-T)
001	3	3	2	1	-	-	-	-	-	-	-
002	3	3	1	1	3	3	3	4	4	1	1
003	3	3	1	1	-	-	-	-	-	3	-
004	3	3	1	1	-	-	-	-	-	1	1
005	3	3	1	1	-	-	-	5	-	-	-
006	3	3	1	1	-	5	7	6	5	-	-
007	4	2	1	1	4	-	-	-	3	-	2
009	3	3	1	1	7	-	-	-	-	-	-
010	3	2	-	-	-	-	-	-	-	-	-
011	3	2	1	1	-	-	-	-	-	8	8
014	2	4	1	1	4	-	-	4	-	2	-
015	3	2	4	1	-	-	-	-	-	-	4
016	5	2	1	1	-	-	-	-	5	-	-
020	5	4		2	2	-	-	-	-	-	-
030	4	3		1	1	-	-	-	-	-	-

Viscosity Correction Factor

Viscosity (SSU)	75	150	200	250	300	350	400
% of ΔP (Approx.)	93	111	119	126	132	137	141

Curves were generated using 110 SSU hydraulic oil.
 For any other viscosity, pressure drop will change per chart.

Performance Curves



Solenoid Ratings

Insulation System	Class F
Allowable Deviation from rated voltage	-15% to +10% for DC and AC rectified coils -5% to +5% for AC Coils
Armature	Wet pin type
CSA File Number	LR60407
Environmental Capability	DC Solenoids meet NEMA 4 and IP67 when properly wired and installed. Contact HVD for AC coil applications.

Explosion Proof Solenoid Ratings*

U.L. & CSA (EU)	Class I, Div 1 & 2, Groups C & D Class II, Div 1 & 2, Groups E, F & G As defined by the N.E.C.
MSHA (EO)	Complies with 30CFR, Part 18
ATEX (ED)	Complies with ATEX requirements for: Exd, Group IIB; EN50014: 1999+ Amds. 1 & 2, EN50018: 2000
ATEX & CSA/US (ET)	Complies with ATEX EN60079-0, EN60079-1 Ex d IIC; CSA/US Ex d IIC, AEx d IIC for Class I, Zone 1, UL1203, UL1604, CSA E61241,1 Class II, Div 1

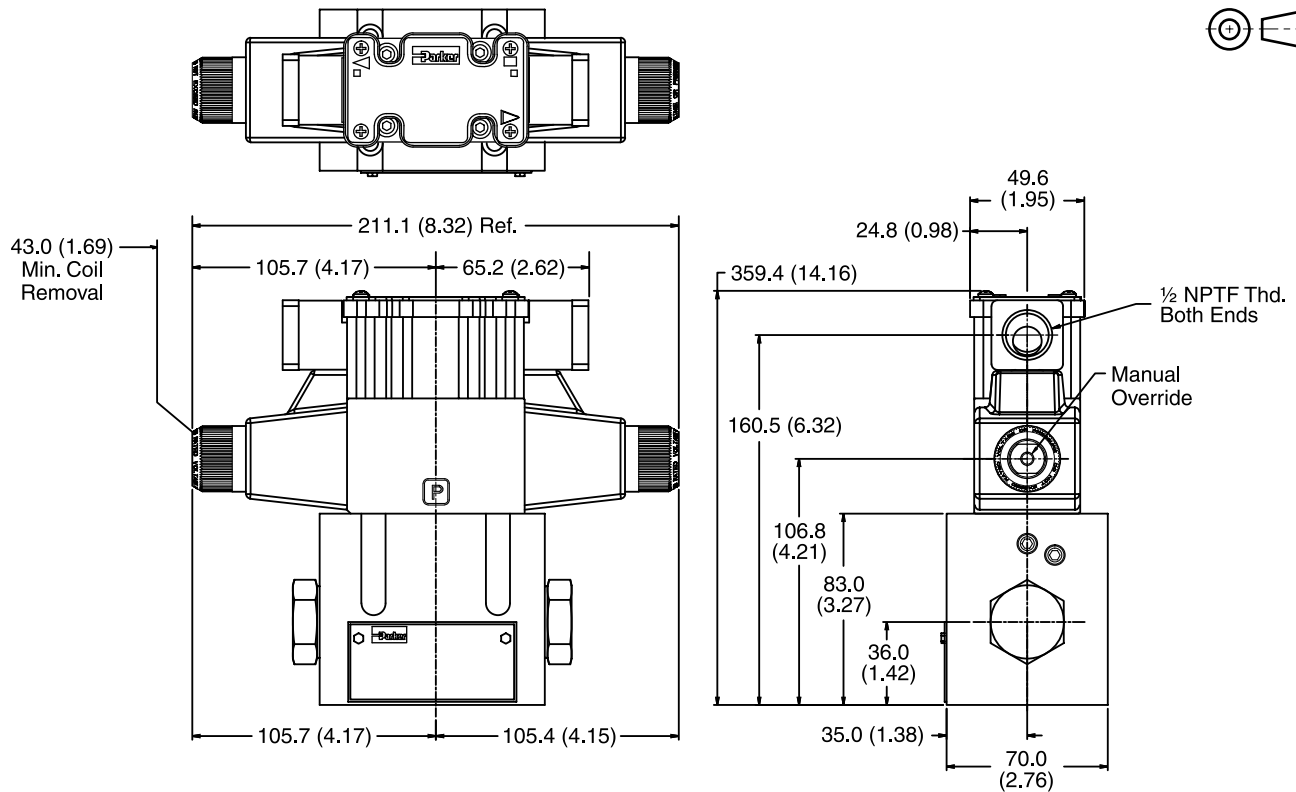
* Allowable Voltage Deviation ±10%.
 Note that Explosion Proof AC coils are single frequency only.

Code		Voltage	In Rush Amps Amperage	In Rush VA	Holding Amps @ 3MM	Watts	Resistance
Voltage Code	Power Code						
D	L	120 VDC	N/A	N/A	0.09 Amps	10 W	1584.00 ohms
D	Omit	120 VDC	N/A	N/A	0.26 Amps	30 W	528.00 ohms
G	Omit	198 VDC	N/A	N/A	0.15 Amps	30 W	1306.80 ohms
J	L	24 VDC	N/A	N/A	0.44 Amps	10 W	51.89 ohms
J	Omit	24 VDC	N/A	N/A	1.32 Amps	30 W	17.27 ohms
K	L	12 VDC	N/A	N/A	0.88 Amps	10 W	12.97 ohms
K	Omit	12 VDC	N/A	N/A	2.64 Amps	30 W	4.32 ohms
L	L	6 VDC	N/A	N/A	1.67 Amps	10 W	3.59 ohms
L	Omit	6 VDC	N/A	N/A	5.00 Amps	30 W	1.20 ohms
Q	Omit	100 VAC / 60 Hz	2.05 Amps	170 VA	0.77 Amps	30 W	19.24 ohms
QD	F	100 VAC / 60 Hz	1.35 Amps	135 VA	0.41 Amps	18 W	31.20 ohms
QD	F	100 VAC / 50 Hz	1.50 Amps	150 VA	0.57 Amps	24 W	31.20 ohms
R	F	24/60 VAC, Low Watt	6.67 Amps	160 VA	2.20 Amps	23 W	1.52 ohms
T	Omit	240/60 VAC	0.83 Amps	199 VA	0.30 Amps	30 W	120.40 ohms
T	Omit	220/50 VAC	0.87 Amps	191 VA	0.34 Amps	30 W	120.40 ohms
T	F	240/60 VAC, Low Watt	0.70 Amps	168 VA	0.22 Amps	21 W	145.00 ohms
T	F	220/50 VAC, Low Watt	0.75 Amps	165 VA	0.26 Amps	23 W	145.00 ohms
U	L	98 VDC	N/A	N/A	0.10 Amps	10 W	960.00 ohms
U	Omit	98 VDC	N/A	N/A	0.31 Amps	30W	288.00 ohms
Y	Omit	120/60 VAC	1.7 Amps	204 VA	0.60 Amps	30 W	28.20 ohms
Y	Omit	110/50 VAC	1.7 Amps	187 VA	0.68 Amps	30 W	28.20 ohms
Y	F	120/60 VAC, Low Watt	1.40 Amps	168 VA	0.42 Amps	21 W	36.50 ohms
Y	F	110/50 VAC, Low Watt	1.50 Amps	165 VA	0.50 Amps	23 W	36.50 ohms
Z	L	250 VDC	N/A	N/A	0.04 Amps	10 W	6875.00 ohms
Z	Omit	250 VDC	N/A	N/A	0.13 Amps	30 W	1889.64 ohms
Explosion Proof Solenoids							
R		24/60 VAC	7.63 Amps	183 VA	2.85 Amps	27 W	1.99 ohms
T		240/60 VAC	0.76 Amps	183 VA	0.29 Amps	27 W	1.34 ohms
N		220/50 VAC	0.77 Amps	169 VA	0.31 Amps	27 W	1.38 ohms
Y		120/60 VAC	1.60 Amps	192 VA	0.58 Amps	27 W	33.50 ohms
P		110/50 VAC	1.47 Amps	162 VA	0.57 Amps	27 W	34.70 ohms
K		12 VDC	N/A	N/A	2.75 Amps	33 W	4.36 ohms
J		24 VDC	N/A	N/A	1.38 Amps	33 W	17.33 ohms
"ET" Explosion Proof Solenoids							
K		12 VDC	N/A	N/A	1.00 Amps	12 W	12.00 ohms
J		24 VDC	N/A	N/A	1.00 Amps	13 W	44.30 ohms
Y		120/60-50 VAC	N/A	N/A	0.16 Amps	17 W	667.00 ohms

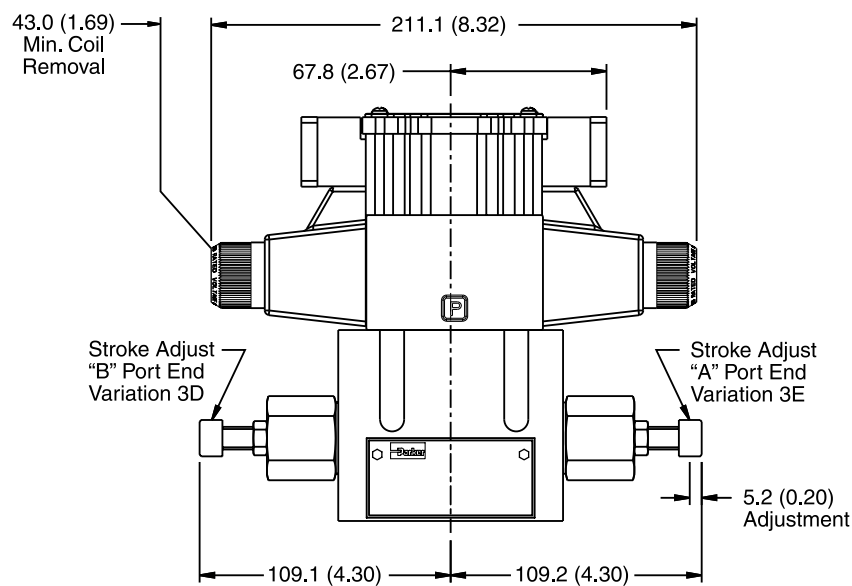
D31.indd, dd

Inch equivalents for millimeter dimensions are shown in (**)

Conduit Box, Double AC Solenoid



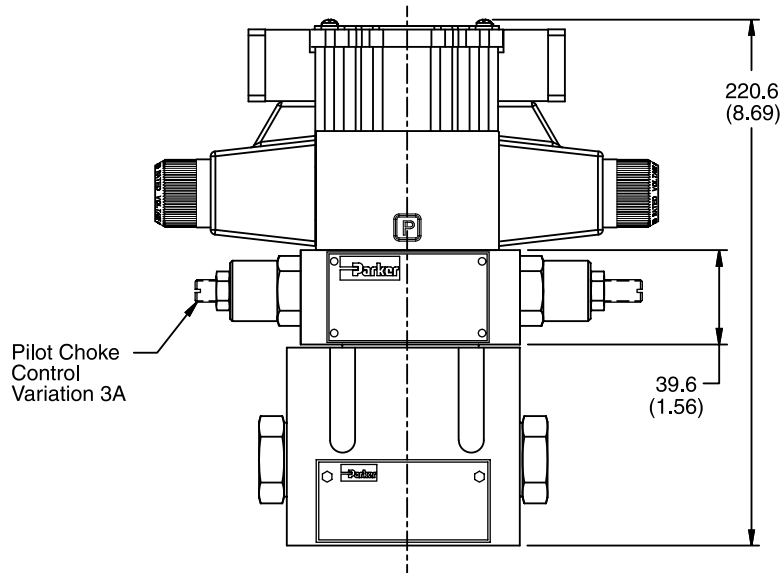
Conduit Box and Stroke Adjust, Double AC Solenoid



Inch equivalents for millimeter dimensions are shown in (**)

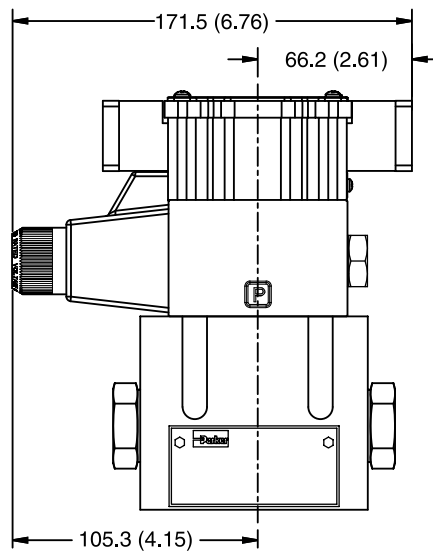


Conduit Box and Pilot Choke Control, Double AC Solenoid



Note: 30.0mm (1.18") from bottom of bolt hole counterbore to bottom of valve.

Conduit Box, Single AC Solenoid

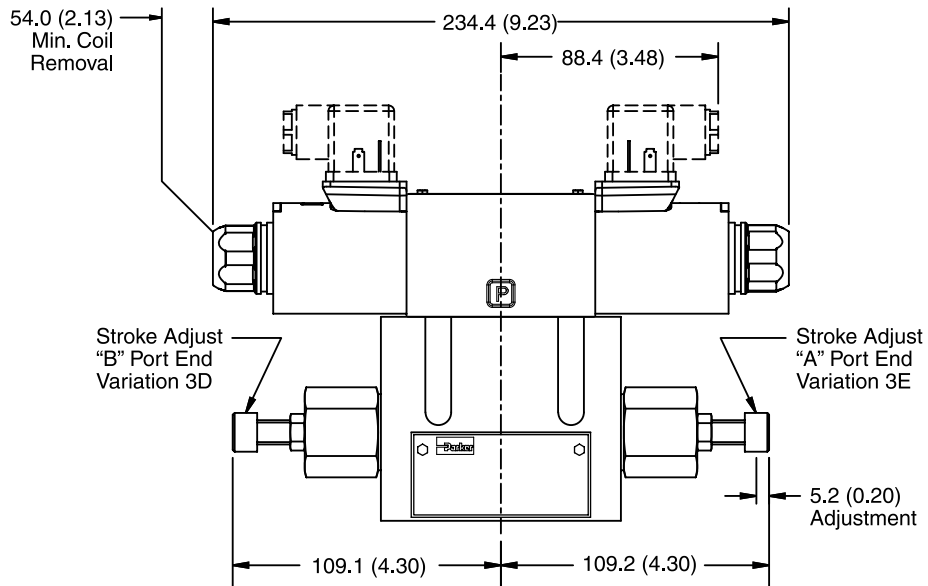


Note: 30.0mm (1.18") from bottom of bolt hole counterbore to bottom of valve.

Inch equivalents for millimeter dimensions are shown in (**)

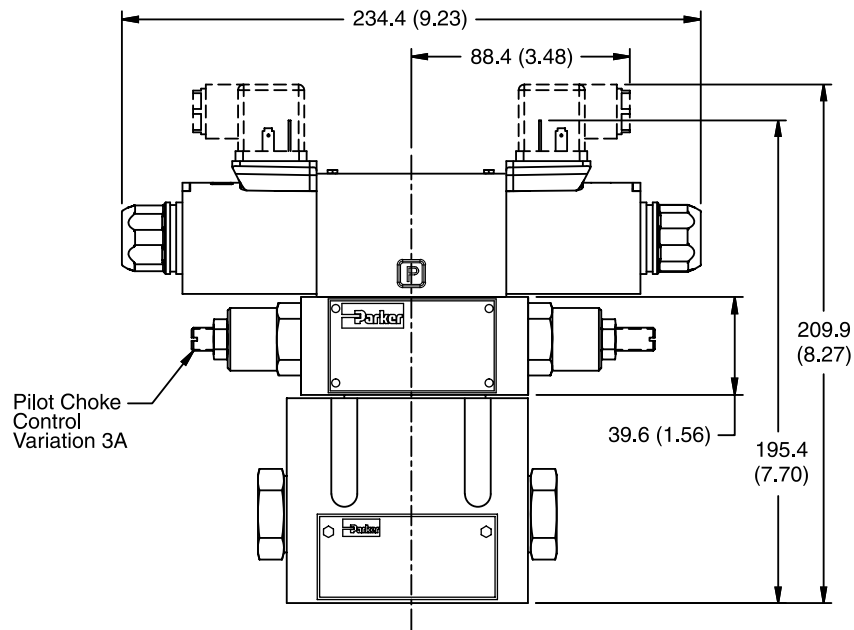
Hirschmann and Stroke Adjust, Double DC Solenoid

A



Note: 30.0mm (1.18") from bottom of bolt hole counterbore to bottom of valve.

Hirschmann and Pilot Choke Control, Double DC Solenoid



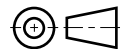
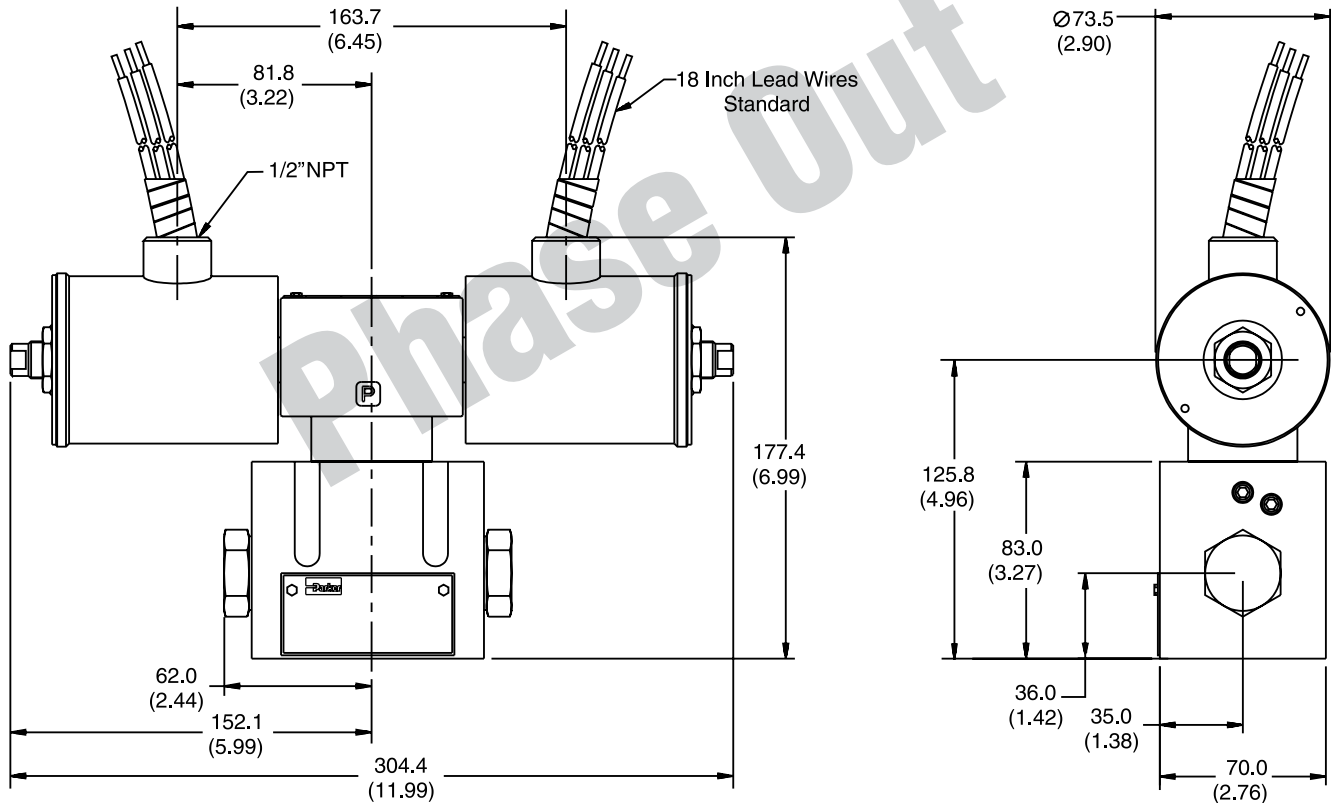
Note: 30.0mm (1.18") from bottom of bolt hole counterbore to bottom of valve.

Inch equivalents for millimeter dimensions are shown in (**)

A

Explosion Proof U.L. and C.S.A. Approved, Double Solenoid

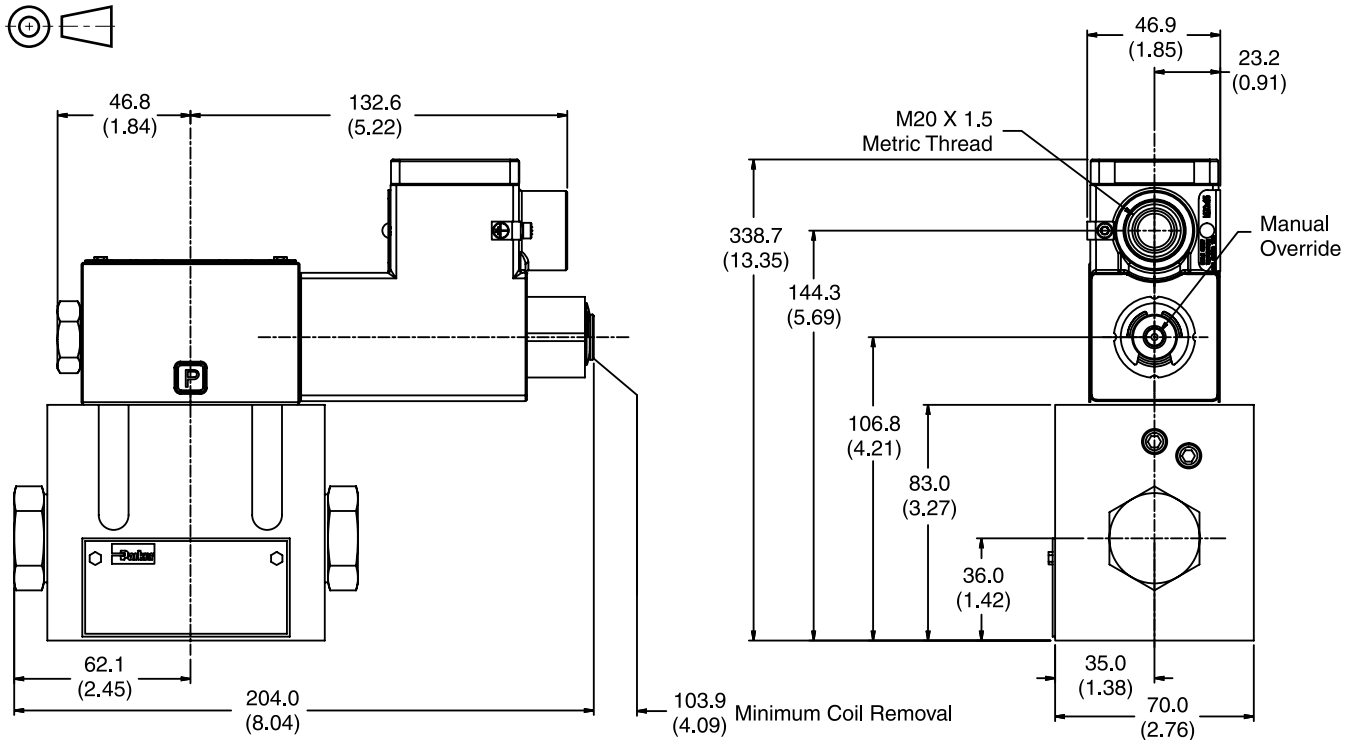
Note:
2 Black Wires
1 Green Wire



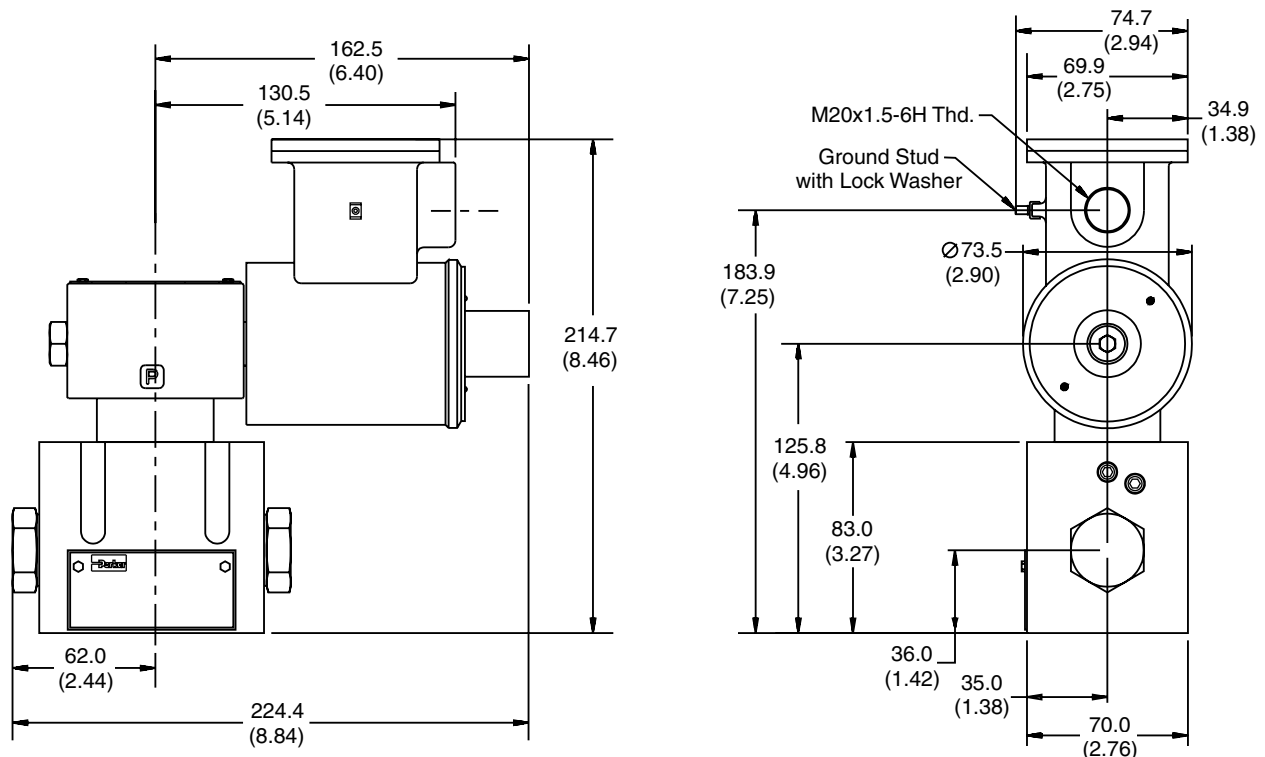
Inch equivalents for millimeter dimensions are shown in (**)

Explosion Proof, EX d IIC ATEX/CSA Single Solenoid

A



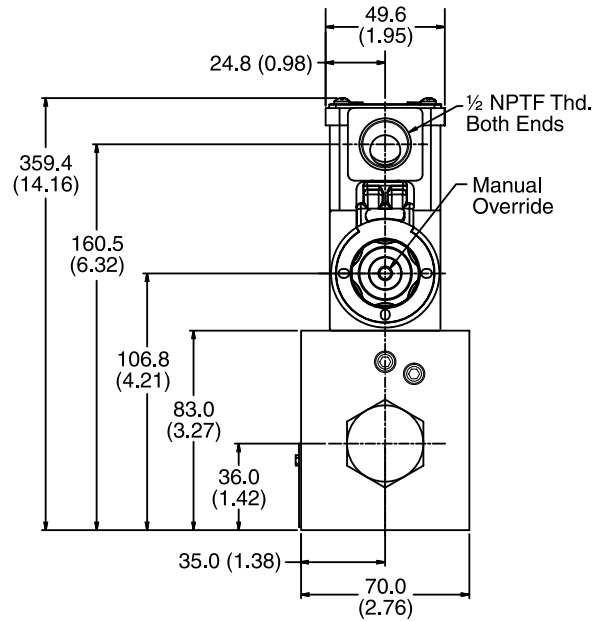
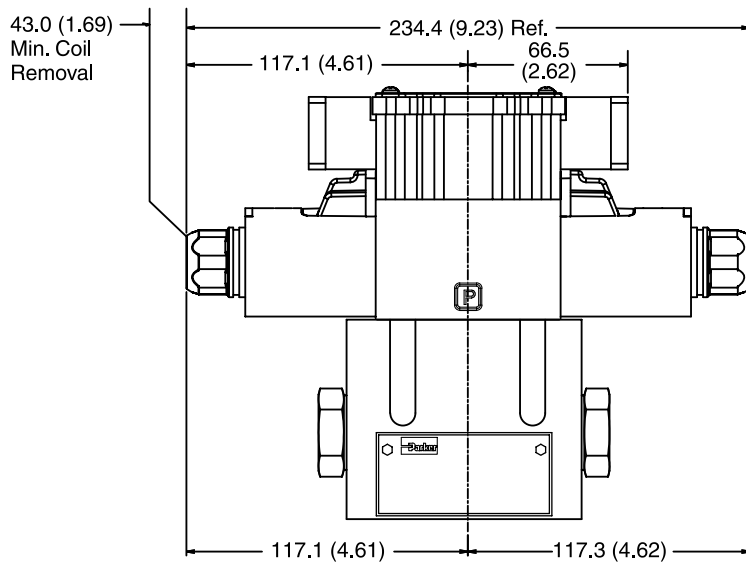
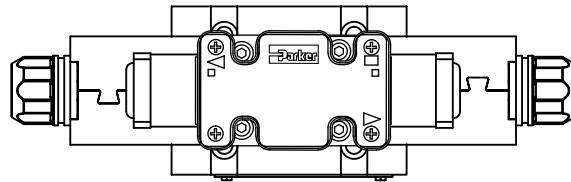
Explosion Proof, EEXD ATEX, Single Solenoid



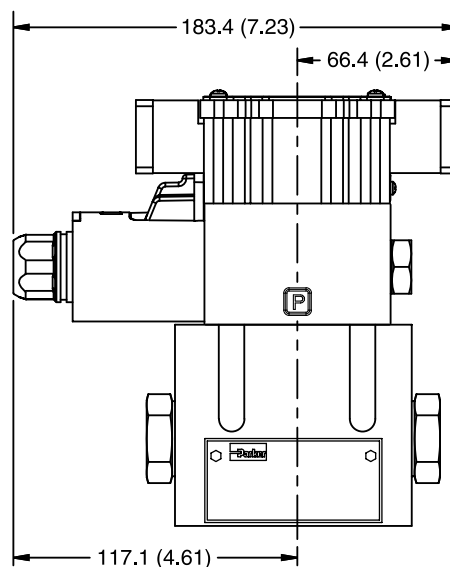
Inch equivalents for millimeter dimensions are shown in (**)

A

Plug-in Conduit Box, Double DC Solenoid



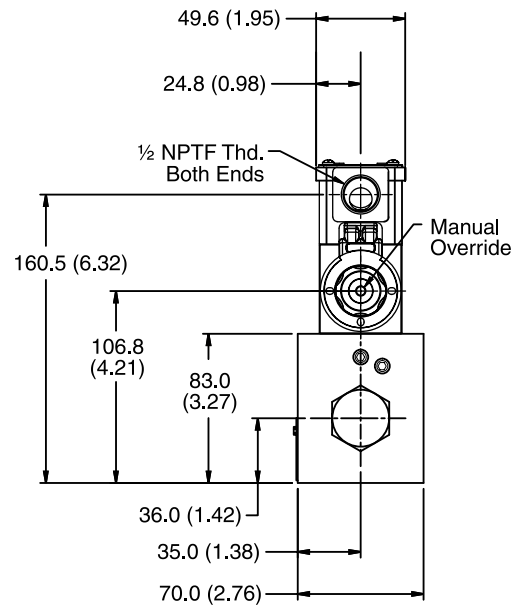
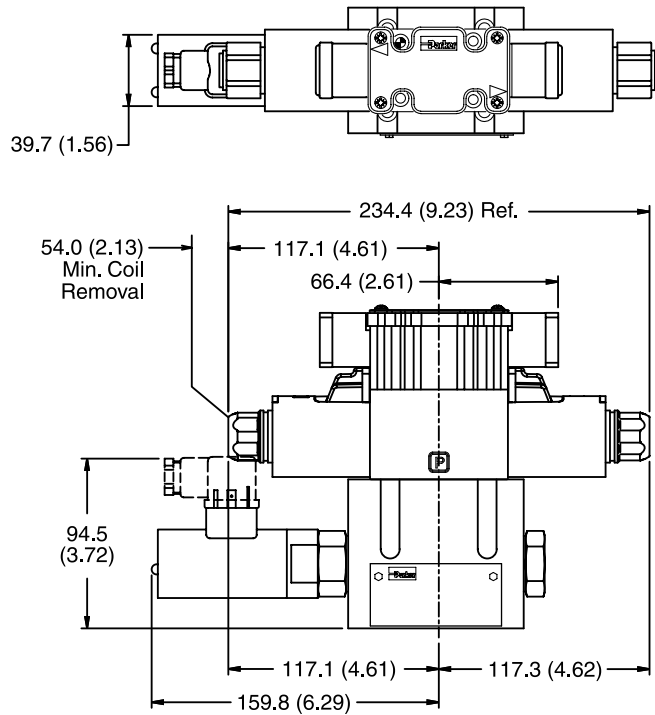
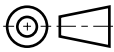
Plug-in Conduit Box, Single DC Solenoid



Inch equivalents for millimeter dimensions are shown in (**)

**Plug-in Conduit Box, Double DC Solenoid
with Variation I3 (Monitor Switch)**

Double Solenoid. With solenoid "A" energized, flow path is P→A and B→T. When solenoid "B" is energized, flow path is P→B and A→T. The center condition on a spring-centered valve exists when both coils are de-energized, or during a complete shift, as the spool passes through center.

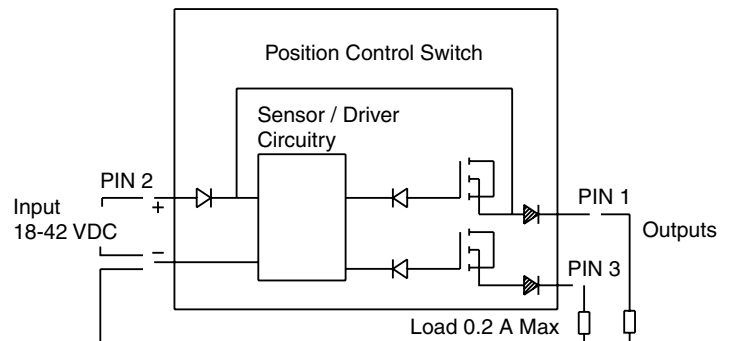


**Monitor Switch
(Variation I3 and I6)**

This feature provides for electrical confirmation of the spool shift. This can be used in safety circuits, to assure proper sequencing, etc.

Switch Data

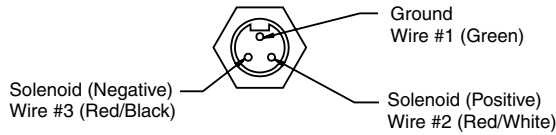
Pin 1 and Pin 3 have outputs equal to the input. When the monitor switch has the output to Pin 1, Pin 3 will have an output of zero, and vice-versa. When the valve is switched, Pin 1 and Pin 3 will switch outputs.





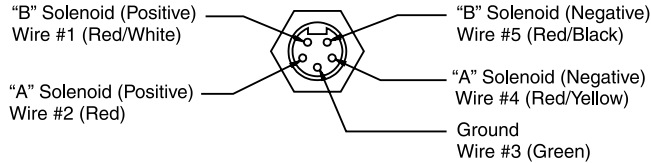
Manaplug (Options 6, 56, 1A & 1C)

- Interface – Brad Harrison Plug
- 3-Pin for Single Solenoid
 - 5-Pin for Double Solenoid



3-Pin Manaplug (Mini) with Lights

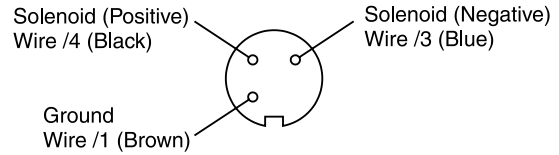
Single Solenoid Valves – Installed Opposite Side of Solenoid



5-Pin Manaplug (Mini) with Lights

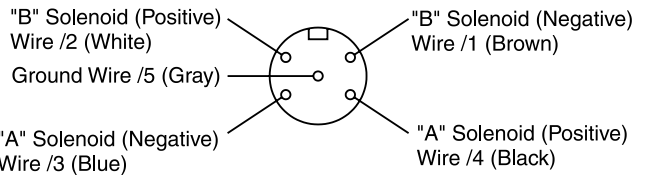
Single Solenoid Valves – Installed Opposite Side of Solenoid
 Double Solenoid Valves – Installed Over "A" Solenoid
 ("A" and "B" Solenoids Reversed for #8 and #9 Spools)

Micro Connector Options (7A, 7B, 1B & 1D)



3-Pin Manaplug (Micro) with Lights

Single Solenoid Valves – Installed Opposite Side of Solenoid



5-Pin Manaplug (Micro) with Lights

Single Solenoid Valves – Installed Opposite Side of Solenoid
 Double Solenoid Valves – Installed Over "A" Solenoid
 ("A" and "B" Solenoids Reversed for #8 and #9 Spools)

Pins are as seen on valve (male pin connectors)

Manaplug – Electrical Mini Plug

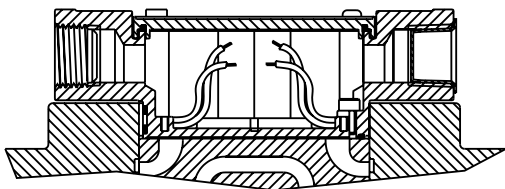
- EP336-30** 3 Pin Plug
- EP316-30** 5 Pin Plug (Double Solenoid)
- EP31A-30** 5 Pin Plug (Single Solenoid)

Manaplug – Electrical Micro Plug

- EP337-30** 3 Pin Plug
- EP317-30** 5 Pin Plug (Double Solenoid)
- EP31B-30** 5 Pin Plug (Single Solenoid)

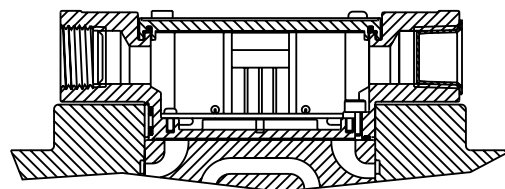
Conduit Box Option C

- No Wiring Options Available

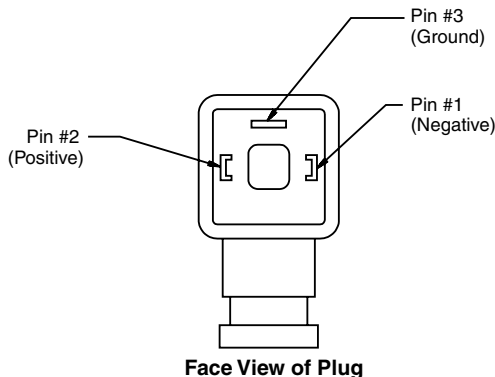


Signal Lights (Option 5) — Plug-in Only

- LED Interface
- Meets Nema 4/IP67

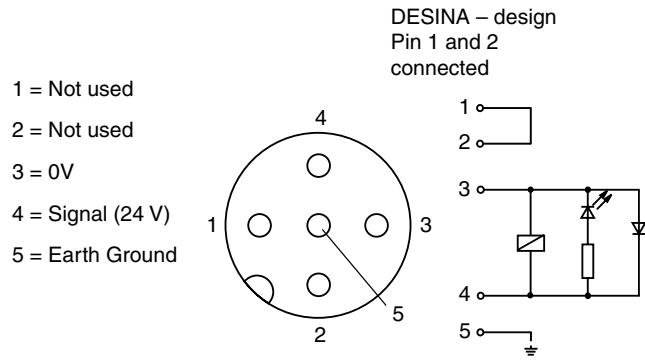


Hirschmann Plug with Lights (Option P5)
ISO 4400/DIN 43650 Form "A"



Face View of Plug

DESINA Connector (Option D)
M12 pin assignment
Standard



Pins are as seen on valve (male pin connectors)

General Description

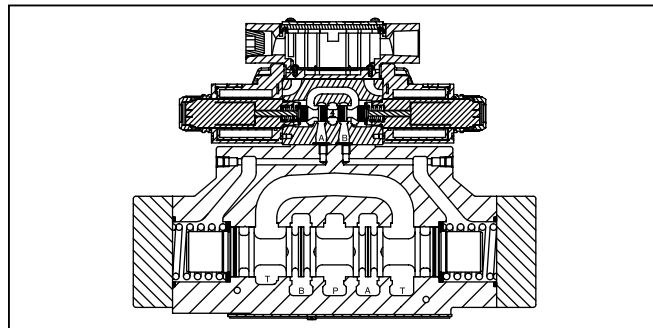
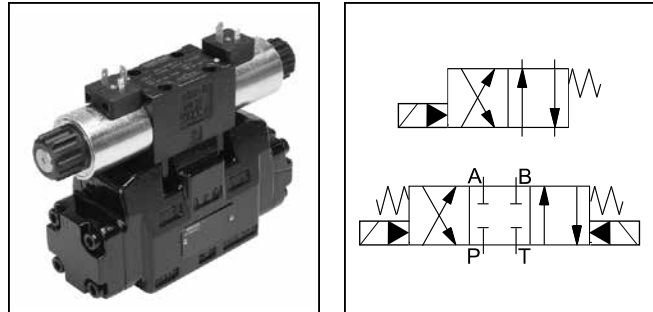
Series D31NW valves are piloted by a D1VW valve. The valves can be ordered with position control.

The minimum pilot pressure must be ensured for all operating conditions of the directional valve.

Additionally spools with a P to T connection in the de-energized position need an external pressure supply (external inlet) or an integral check valve.

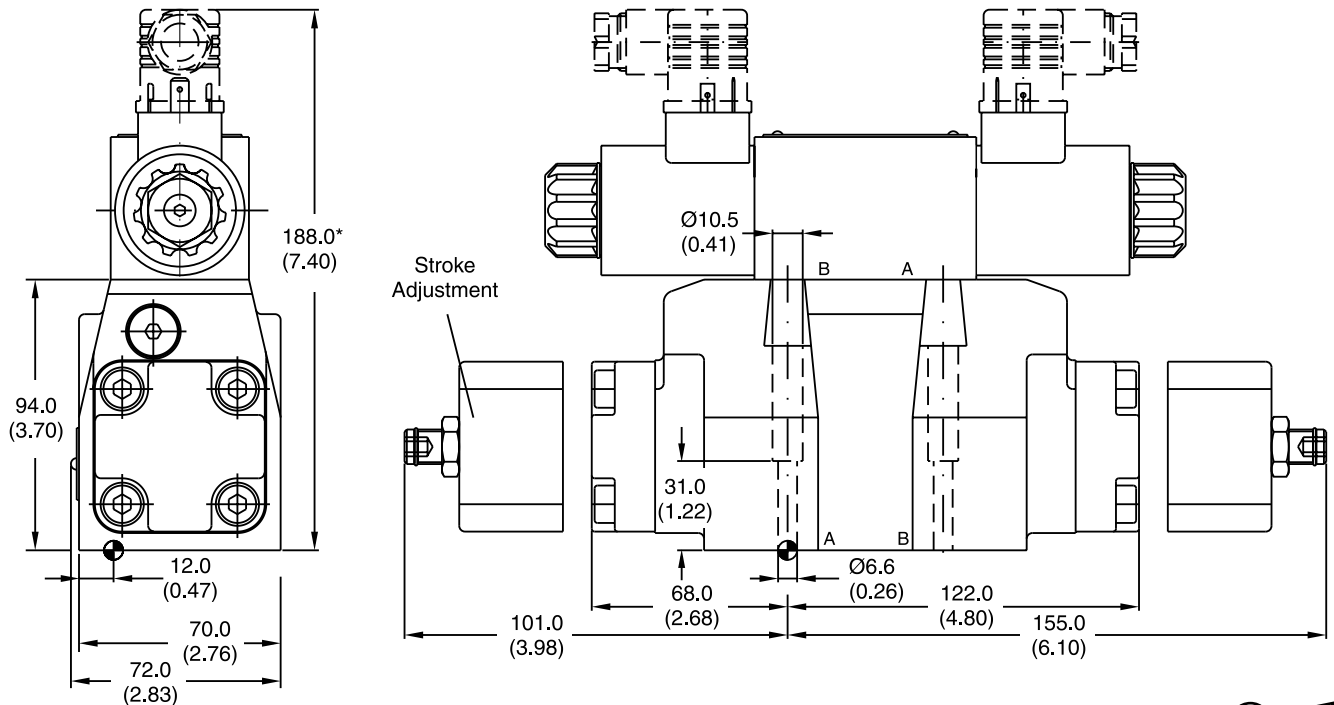
Features

- **World design** – Available worldwide.
- **Mounting bolts below center line of spool** – Minimizes spool binding.
- **Five chamber style** – Eliminates pressure spikes in tubes, increasing valve life.
- **High pressure and flow ratings** – Increased performance options in a compact valve.



Dimensions

Inch equivalents for millimeter dimensions are shown in (**)

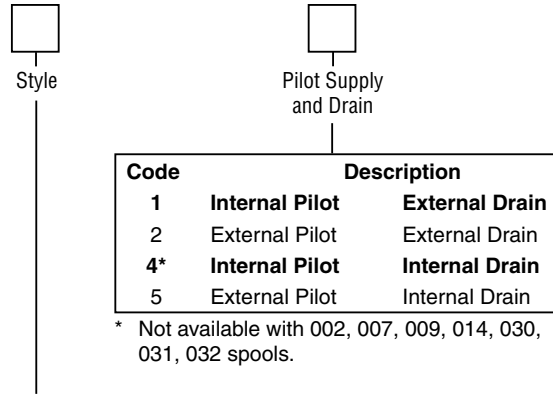
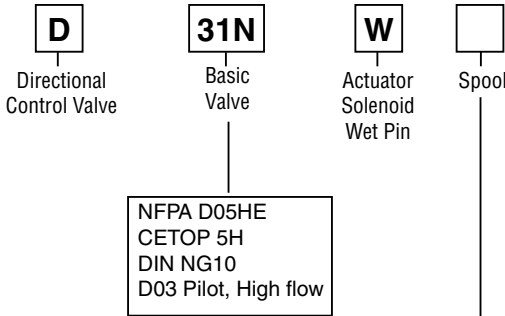


* Please add for each sandwich plate +40mm (1.58") (pressure reducing valve, pilot choke valve meter-in/-out).

Surface Finish	Kit	Kit	Kit	Seal Kit
	BK385	4x M6x40 DIN 912 12.9	13.2 Nm (9.7 lb.-ft.)	Nitrile: SK-D31NW-N-91 Fluorocarbon: SK-D31NW-V-91

The space necessary to remove the plug per DIN 43650, design type AF is at least 15 mm.

The torque for the screw M3 of the plug has to be 0.5 to 0.6 Nm.



3-Position Spools	
Code	Spool Type
	a 0 b
001	
002	
003	
004	
005	
006	
007	
009	
011	
014	
015	
016	
021	
022	
031	
032	
081	
082	

2-Position Spools	
Code	Spool Type
	a b
020	
026	
030	

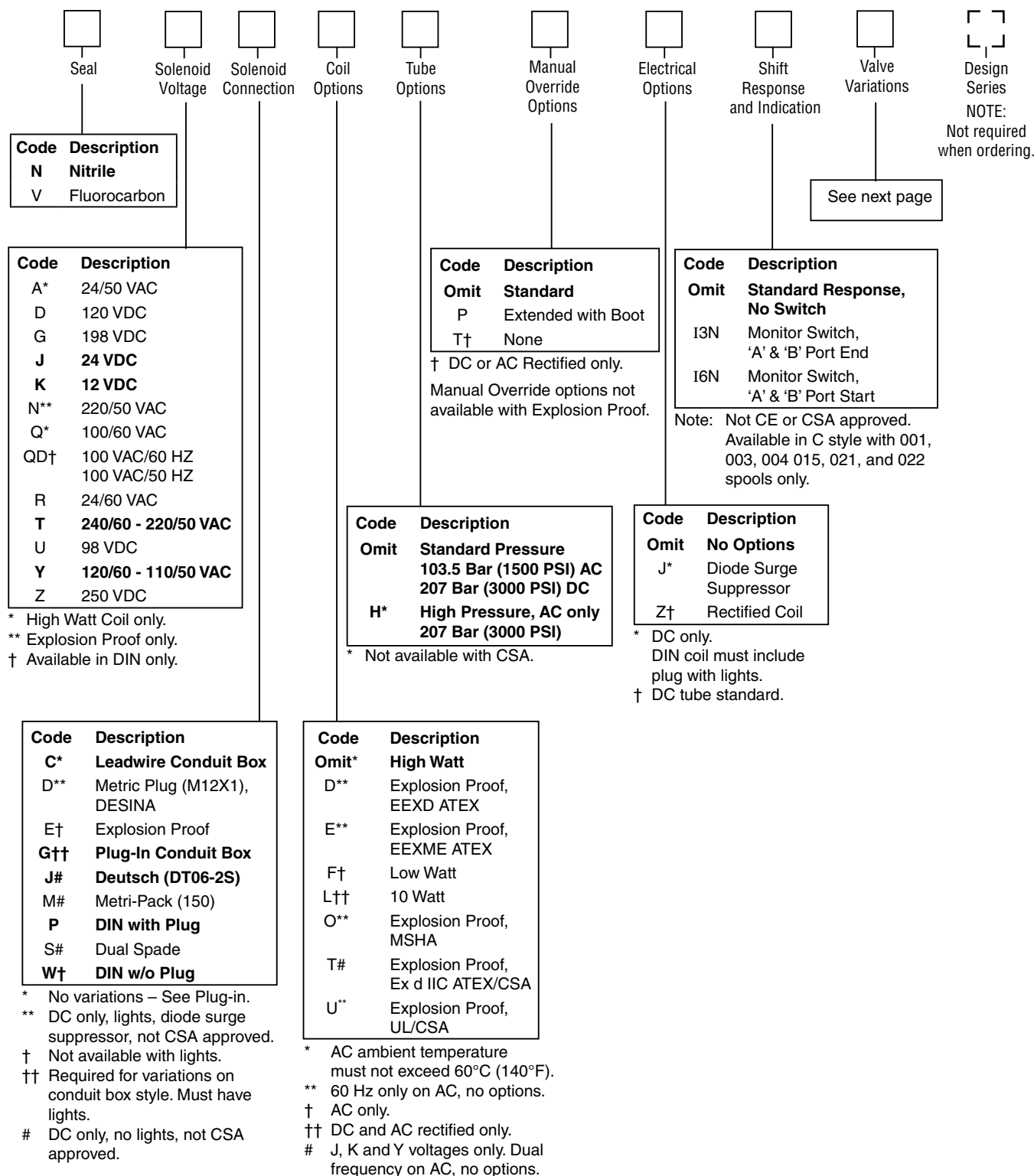
3-Position Spools		
Code	All 3-Position Spools	
C		3 positions. Spring offset in position "0". Operated in position "a" or "b".
	Standard	Spool Type 009
E	 Operated in position "a".	 Operated in position "b".
F	 Spring offset in position "b".	 Spring offset in position "a".
K	 Operated in position "b".	 Operated in position "a".
M	 Spring offset in position "a".	 Spring offset in position "b".
R	 No center in offset position.	 No center in offset position.
S	 No center in offset position.	 No center in offset position.

2-Position Spools		
Code	Spool Position	
B		Spring offset in position "b". Operated in position "a".
D		Detent, operated in position "a" or "b". No center or offset position.
H		Spring offset in position "a". Operated in position "b".

Weight:
 Single Solenoid: 7.6 kg (16.8 lbs.)
 Double Solenoid: 8.1 kg (17.9 lbs.)

Bold: Designates Tier I products and options.

Non-Bold: Designates Tier II products and options. These products will have longer lead times.



Bold: Designates Tier I products and options.

Non-Bold: Designates Tier II products and options. These products will have longer lead times.

Valve Variations

A

Code	Description
5*	Signal Lights – Standard
	Signal Lights – Hirsch. (DIN with Plug)
7B**	Manaplug – Brad Harrison (12x1) Micro with Lights
56**	Manaplug (Mini) with Lights
1C**	Manaplug (Mini) Single Sol. 5-pin, with Lights
1D**	Manaplug (Micro) Single Sol. 5-pin, with Lights
1G**	Manaplug (Mini) Single Sol. 5-pin, with Stroke Adjust 'A' & 'B' End and Lights
1H**	Manaplug (Micro) Single Sol. 5-pin, with Stroke Adjust 'A' & 'B' End and Lights
1M**	Manaplug Opposite Normal
1R	Stroke Adjust 'A' & 'B' End with Pilot Choke Meter In
3A	Pilot Choke Meter Out
3B	Pilot Choke Meter In
3C	Pilot Pressure Reducer
3D	Stroke Adjust 'B' End
3E	Stroke Adjust 'A' End
3F	Stroke Adjust 'A' & 'B' End
3G*	Pilot Choke Meter Out with Lights
3H*	Pilot Choke Meter In with Lights
3J*	Pilot Pressure Reducer with Lights
3K	Pilot Choke Meter Out with Stroke Adjust 'A' & 'B' End
3L**	Pilot Choke Meter Out, Stroke Adjust 'A' & 'B' End with Lights and Manaplug — Brad Harrison Mini
3M	Pilot Choke Meter Out, Pilot Pressure Reducer, Stroke Adjust 'A' & 'B' End
3R	Pilot Choke Meter Out & Pilot Pressure Reducer
3S**	Lights, Mini Manaplug, Pilot Choke Meter Out
7Y**	M12x1 Manaplug (4-pin), Special Wiring, and Lights

* DESINA, plug-in conduit box, and DIN with plug styles only.

** Must have plug-in style conduit box.



Solenoid Ratings

Insulation System	Class F
Allowable Deviation from rated voltage	-15% to +10% for DC and AC rectified coils -5% to +5% for AC Coils
Armature	Wet pin type
CSA File Number	LR60407
Environmental Capability	DC Solenoids meet NEMA 4 and IP67 when properly wired and installed. Contact HVD for AC coil applications.

Explosion Proof Solenoid Ratings*

U.L. & CSA (EU)	Class I, Div 1 & 2, Groups C & D Class II, Div 1 & 2, Groups E, F & G As defined by the N.E.C.
MSHA (EO)	Complies with 30CFR, Part 18
ATEX (ED)	Complies with ATEX requirements for: Exd, Group IIB; EN50014: 1999+ Amds. 1 & 2, EN50018: 2000
ATEX & CSA/US (ET)	Complies with ATEX EN60079-0, EN60079-1 Ex d IIC; CSA/US Ex d IIC, AEx d IIC for Class I, Zone 1, UL1203, UL1604, CSA E61241,1 Class II, Div 1

* Allowable Voltage Deviation ±10%.
 Note that Explosion Proof AC coils are single frequency only.

Code		Voltage	In Rush Amps Amperage	In Rush VA	Holding Amps @ 3MM	Watts	Resistance
Voltage Code	Power Code						
D	L	120 VDC	N/A	N/A	0.09 Amps	10 W	1584.00 ohms
D	Omit	120 VDC	N/A	N/A	0.26 Amps	30 W	528.00 ohms
G	Omit	198 VDC	N/A	N/A	0.15 Amps	30 W	1306.80 ohms
J	L	24 VDC	N/A	N/A	0.44 Amps	10 W	51.89 ohms
J	Omit	24 VDC	N/A	N/A	1.32 Amps	30 W	17.27 ohms
K	L	12 VDC	N/A	N/A	0.88 Amps	10 W	12.97 ohms
K	Omit	12 VDC	N/A	N/A	2.64 Amps	30 W	4.32 ohms
L	L	6 VDC	N/A	N/A	1.67 Amps	10 W	3.59 ohms
L	Omit	6 VDC	N/A	N/A	5.00 Amps	30 W	1.20 ohms
Q	Omit	100 VAC / 60 Hz	2.05 Amps	170 VA	0.77 Amps	30 W	19.24 ohms
QD	F	100 VAC / 60 Hz	1.35 Amps	135 VA	0.41 Amps	18 W	31.20 ohms
QD	F	100 VAC / 50 Hz	1.50 Amps	150 VA	0.57 Amps	24 W	31.20 ohms
R	F	24/60 VAC, Low Watt	6.67 Amps	160 VA	2.20 Amps	23 W	1.52 ohms
T	Omit	240/60 VAC	0.83 Amps	199 VA	0.30 Amps	30 W	120.40 ohms
T	Omit	220/50 VAC	0.87 Amps	191 VA	0.34 Amps	30 W	120.40 ohms
T	F	240/60 VAC, Low Watt	0.70 Amps	168 VA	0.22 Amps	21 W	145.00 ohms
T	F	220/50 VAC, Low Watt	0.75 Amps	165 VA	0.26 Amps	23 W	145.00 ohms
U	L	98 VDC	N/A	N/A	0.10 Amps	10 W	960.00 ohms
U	Omit	98 VDC	N/A	N/A	0.31 Amps	30W	288.00 ohms
Y	Omit	120/60 VAC	1.7 Amps	204 VA	0.60 Amps	30 W	28.20 ohms
Y	Omit	110/50 VAC	1.7 Amps	187 VA	0.68 Amps	30 W	28.20 ohms
Y	F	120/60 VAC, Low Watt	1.40 Amps	168 VA	0.42 Amps	21 W	36.50 ohms
Y	F	110/50 VAC, Low Watt	1.50 Amps	165 VA	0.50 Amps	23 W	36.50 ohms
Z	L	250 VDC	N/A	N/A	0.04 Amps	10 W	6875.00 ohms
Z	Omit	250 VDC	N/A	N/A	0.13 Amps	30 W	1889.64 ohms
Explosion Proof Solenoids							
R		24/60 VAC	7.63 Amps	183 VA	2.85 Amps	27 W	1.99 ohms
T		240/60 VAC	0.76 Amps	183 VA	0.29 Amps	27 W	1.34 ohms
N		220/50 VAC	0.77 Amps	169 VA	0.31 Amps	27 W	1.38 ohms
Y		120/60 VAC	1.60 Amps	192 VA	0.58 Amps	27 W	33.50 ohms
P		110/50 VAC	1.47 Amps	162 VA	0.57 Amps	27 W	34.70 ohms
K		12 VDC	N/A	N/A	2.75 Amps	33 W	4.36 ohms
J		24 VDC	N/A	N/A	1.38 Amps	33 W	17.33 ohms
"ET" Explosion Proof Solenoids							
K		12 VDC	N/A	N/A	1.00 Amps	12 W	12.00 ohms
J		24 VDC	N/A	N/A	1.00 Amps	13 W	44.30 ohms
Y		120/60-50 VAC	N/A	N/A	0.16 Amps	17 W	667.00 ohms

D31.indd, dd



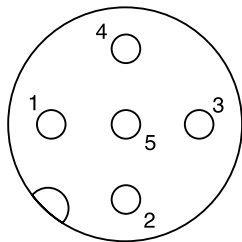


General			
Design		Directional Spool Valve	
Actuation		Solenoid	
Size		NG10	
Mounting Interface		DIN 24340 A10 / ISO 4401 / NFPA D05 / CETOP RP 121-H	
Mounting Position		Unrestricted, preferably horizontal	
Ambient Temperature		[°C]	-25...+50; (-13°F...+122°F) (without inductive position control)
		[°C]	0...+50; (+32°F...+122°F) (with inductive position control)
MTTF_D Value		[years]	75
Hydraulic			
Maximum Operating Pressure		Pilot drain internal: P, A, B, X 315 Bar (4568 PSI); T, Y 140 Bar (2030 PSI) Pilot drain external: P, A, B, T, X 315 Bar (4568 PSI); Y 140 Bar (2030 PSI)	
Fluid		Hydraulic oil in accordance with DIN 51524 / 51525	
Fluid Temperature		[°C]	-25 ... +70 (-13°F...+158°F)
Viscosity Permitted		[cSt]/[mm ² /s]	2.8...400 (13...1854 SSU)
Recommended		[cSt]/[mm ² /s]	30...80 (139...371 SSU)
Filtration		ISO 4406 (1999); 18/16/13 (meet NAS 1638: 7)	
Flow Maximum		170 LPM (45 GPM)	
Leakage at 350 Bar (per flow path)		[ml/min]	72...422 (0.2...0.11 GPM) (depending on spool)
Minimum Pilot Supply Pressure		7 Bar (102 PSI)	
Static / Dynamic			
Step Response at 85%		Energized	
DC Solenoids	Pilot Pressure		De-energized
	50 Bar & 100 Bar	[ms]	470
	250 Bar & 350 Bar	[ms]	390
AC Solenoids	Pilot Pressure		390
	50, 100, 250 & 350 Bar	[ms]	30 / 50
			375

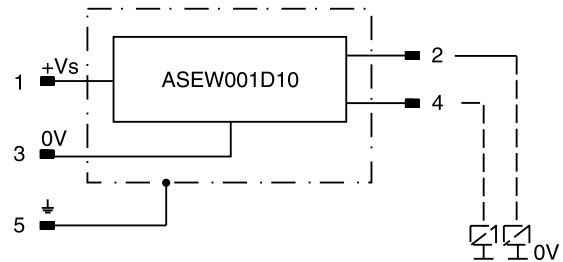
Position Control M12x1

Protection Class		IP 65 in accordance with EN 60529 (plugged and mounted)
Ambient Temperature	[°C]	0...+50; (+32°F...122°F)
Supply Voltage / Ripple	[V]	18...42 ±10%
Current Consumption without Load	[mA]	≤ 30
Max. Output Current per Channel, Ohmic	[mA]	400
Min. Output Load per Channel, Ohmic [kOhm]		100
Max. Output Drop at 0.2A	[V]	≤ 1.1
Max. Output Drop at 0.4A	[V]	≤ 1.6
EMC		EN50081-1 / EN50082-2
Max. Tolerance Ambient Field Strength	[A/m]	<1200
Min. Distance to Next AC Solenoid	[m]	>0.1
Interface		M12x1 per IEC 61076-2-101
Wiring Minimum	[mm²]	5 x 0.25 brad shield recommended
Wiring Length Maximum	[m]	50 (164 ft.) recommended

M12 Pin Assignment



- 1 + Supply 18...42V
- 2 Out B: normally closed
- 3 0V
- 4 Out A: normally open
- 5 Earth ground



Definitions

Start position monitored:

The valve is de-energized. The inductive switch gives a signal at the moment (below 15% spool stroke) when the spool leaves the spring offset position.

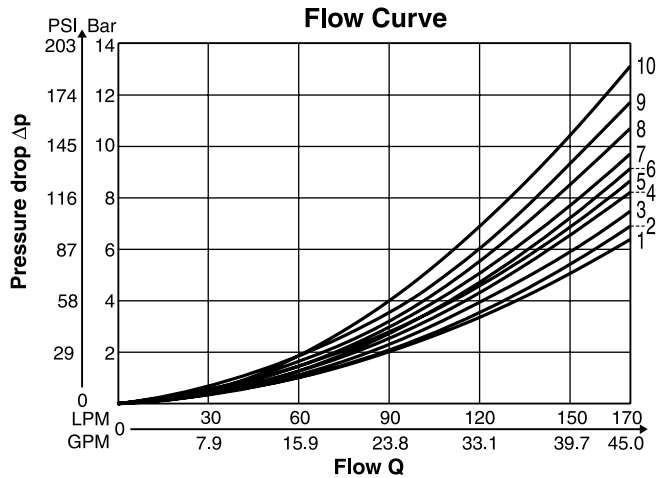
End position monitored:

The inductive switch gives a signal before the end position is reached. (above 85% spool stroke).

Delivery includes plug M12 x 1 (part no.: 5004109).

Performance Curves

The flow curve diagram shows the flow versus pressure drop curves for all spool types. The relevant curve number for each spool type, operating position and flow direction is given in the table below.

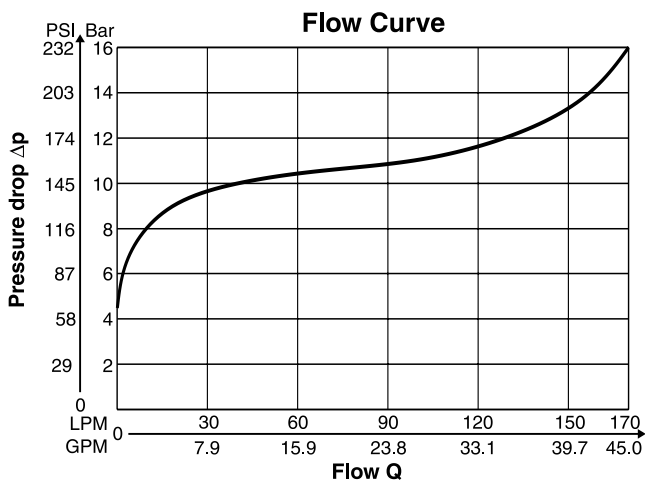


Spool Code	Curve Number				
	P-A	P-B	P-T	A-T	B-T
01	3	3	7	4	3
02	3	3	—	2	4
03	3	3	—	2	5
07	4	6	6	4	10
08	2	3	—	4	4
09	2	2	—	1	4
10	2	3	—	4	4
11	5	3	—	2	5
13	2	4	—	1	4
14	4	3	—	2	4

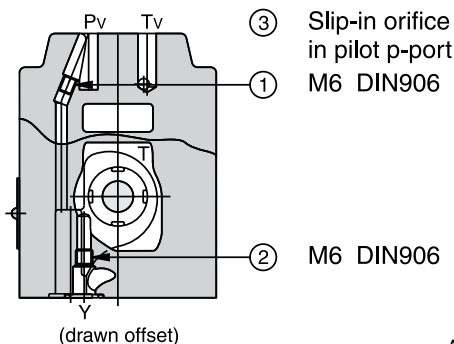
All characteristic curves measured with HLP46 at 50°C (122°F).

Integral Check Valve in the P port

Mounting an integral check valve in the P port is necessary to build up pilot pressure for valves with P to T connection and internal pilot oil supply. The pressure difference at the integral check valve (see performance curves) is to be added to all flow curves of the P-port of the main valve.

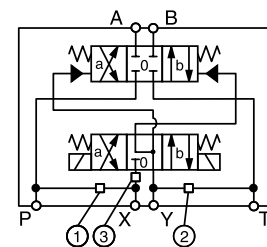


Pilot Oil Inlet (Supply) and Outlet (Drain)



○ open, ● closed

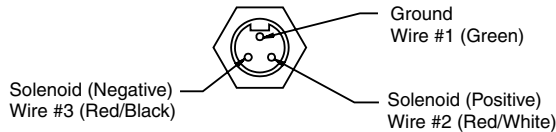
Pilot Oil		Outlet		
Inlet	Outlet	1	2	3
internal	external	○	●	Orifice Ø1.0
external	external	●	●	Orifice Ø1.0
internal	internal	○	○	Orifice Ø1.0
external	internal	●	○	Orifice Ø1.0



All orifice sizes for standard valves

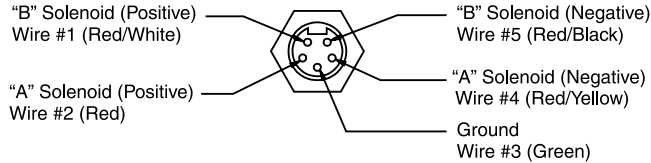
Manaplug (Options 6, 56, 1A & 1C)

- Interface – Brad Harrison Plug
- 3-Pin for Single Solenoid
- 5-Pin for Double Solenoid



3-Pin Manaplug (Mini) with Lights

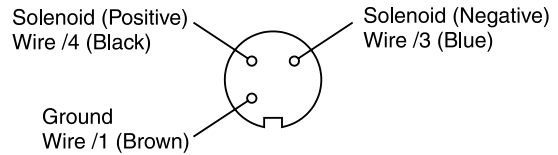
Single Solenoid Valves – Installed Opposite Side of Solenoid



5-Pin Manaplug (Mini) with Lights

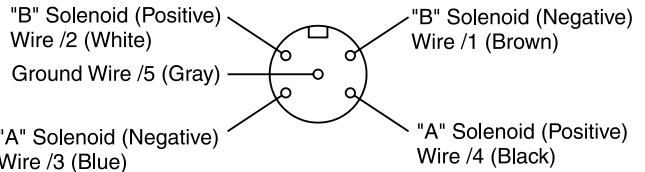
Single Solenoid Valves – Installed Opposite Side of Solenoid
Double Solenoid Valves – Installed Over "A" Solenoid
("A" and "B" Solenoids Reversed for #8 and #9 Spools)

Micro Connector Options (7A, 7B, 1B & 1D)



3-Pin Manaplug (Micro) with Lights

Single Solenoid Valves – Installed Opposite Side of Solenoid



5-Pin Manaplug (Micro) with Lights

Single Solenoid Valves – Installed Opposite Side of Solenoid
Double Solenoid Valves – Installed Over "A" Solenoid
("A" and "B" Solenoids Reversed for #8 and #9 Spools)

Pins are as seen on valve (male pin connectors)

Manaplug – Electrical Mini Plug

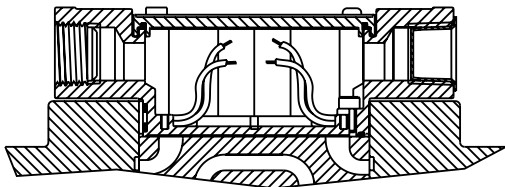
- EP336-30 3 Pin Plug
- EP316-30 5 Pin Plug (Double Solenoid)
- EP31A-30 5 Pin Plug (Single Solenoid)

Manaplug – Electrical Micro Plug

- EP337-30 3 Pin Plug
- EP317-30 5 Pin Plug (Double Solenoid)
- EP31B-30 5 Pin Plug (Single Solenoid)

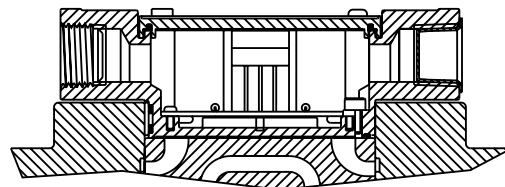
Conduit Box Option C

- No Wiring Options Available

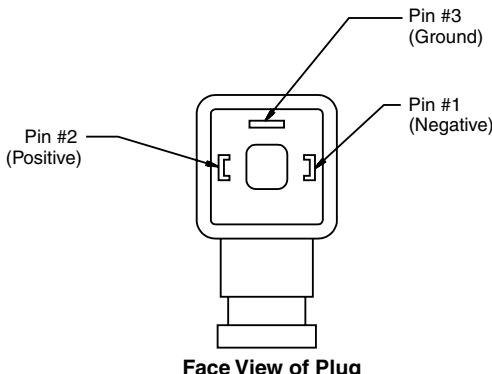


Signal Lights (Option 5) — Plug-in Only

- LED Interface
- Meets Nema 4/IP67



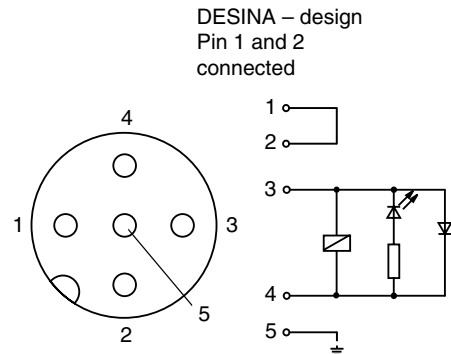
**Hirschmann Plug with Lights (Option P5)
ISO 4400/DIN 43650 Form "A"**



Face View of Plug

**DESINA Connector (Option D)
M12 pin assignment
Standard**

- 1 = Not used
- 2 = Not used
- 3 = 0V
- 4 = Signal (24 V)
- 5 = Earth Ground



DESINA – design
Pin 1 and 2
connected

Pins are as seen on valve (male pin connectors)

General Description

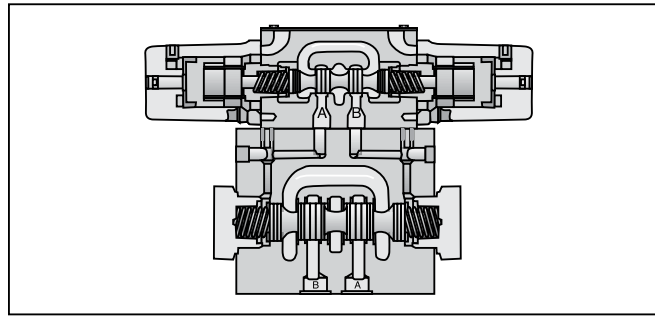
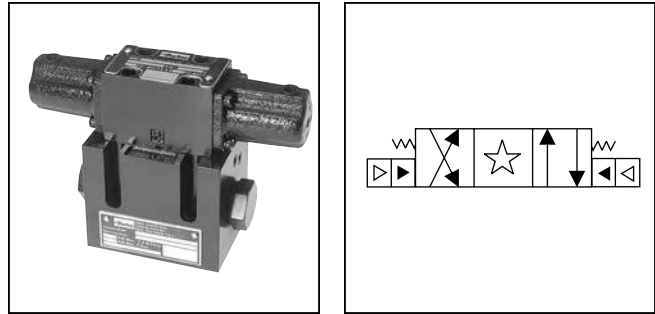
Series D31*A directional control valves are 5-chamber, air pilot operated valves. The valves are suitable for manifold or subplate mounting.

Features

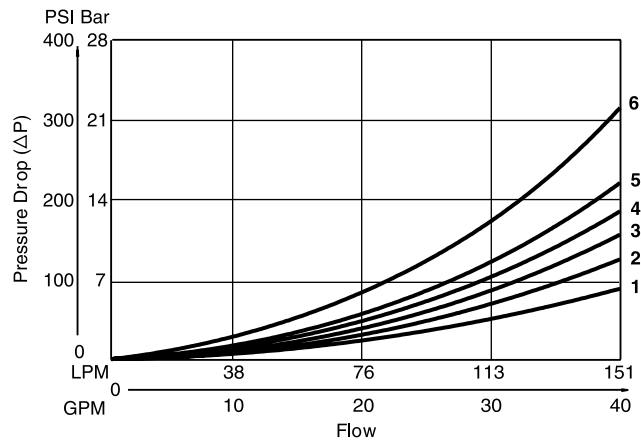
- **World design** – Available worldwide.
- **Mounting bolts below center line of spool** – Minimizes spool binding.
- **Five chamber style** – Eliminates pressure spikes in tubes, increasing valve life.
- **High pressure and flow ratings** – Increased performance options in a compact valve.

Specifications

Mounting Pattern	NFPA D05H , CETOP 5 NFPA D05HE, CETOP 5H
Max. Operating Pressure	345 Bar (5000 PSI)
Max. Tank Line Pressure	Internal Drain Model: 34 Bar (500 PSI) External Drain Model: 207 Bar (3000 PSI)
Max. Drain Pressure	34 Bar (500 PSI)
Maximum Flow	See Switching Limit Charts
Pilot Pressure	Air Min: 3.4 Bar (50 PSI) Air Max: 10.2 Bar (150 PSI)
Response Time	Varies with pilot line size and length, pilot pressure, pilot valve shift time & flow capacity (GPM)



Pressure Drop Chart



VISCOSITY CORRECTION FACTOR

Viscosity (SSU)	75	150	200	250	300	350	400
% of ΔP (Approx.)	93	111	119	126	132	137	141

Curves were generated using 100 SSU hydraulic oil. For any other viscosity, pressure drop will change as per chart.

D31VA Pressure Drop Reference Chart -- Curve Number

Spool No.	Shifted				Center Condition							
	P-A	P-B	B-T	A-T	(P-T)	(B-A)	(A-B)	(P-A)	(P-B)	(A-T)	(B-T)	
001	3	3	2	1	-	-	-	-	-	-	-	
002	3	3	1	1	3	3	3	4	4	1	1	
004	3	3	1	1	-	-	-	-	-	1	1	
009	3	3	1	1	6	-	-	-	-	-	-	
020	5	4	2	2	-	-	-	-	-	-	-	
030	4	3	1	1	-	-	-	-	-	-	-	

D31VA Pressure Drop vs. Flow

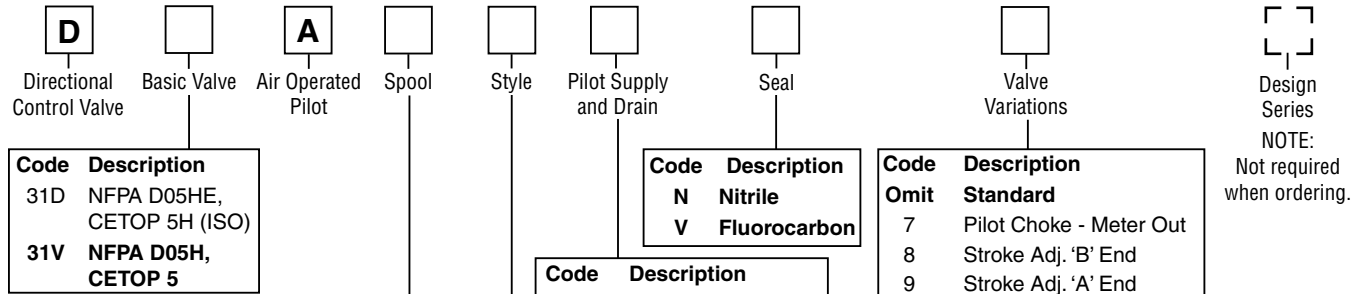
The chart to the left provides the flow vs. pressure drop curve reference for the D31VA Series valves by spool type.

Example:

Find the pressure drop at 76 LPM (20 GPM) for a D31VA with a number 001 spool. To the right of spool number 001, locate the number 3 in the P-A column, and 2 in the B-T column.

Using the top graph, locate curves 2 and 3 and read the pressure drop values. Total pressure drop through the valve is the sum of the two values.

Ordering Information



Code	Description
31D	NFPA D05HE, CETOP 5H (ISO)
31V	NFPA D05H, CETOP 5

Code	Description
N	Nitrile
V	Fluorocarbon

Code	Description
Omit	Standard
7	Pilot Choke - Meter Out
8	Stroke Adj. 'B' End
9	Stroke Adj. 'A' End
60	Pilot choke - Meter In
89	Stroke Adj. 'A' & 'B' Ends
90	1/4 BSPP Threads

Code	Description
1	Int. pilot/Ext. drain
2	Ext. pilot/Ext. drain
4#	Int. pilot/Int. drain
5	Ext. pilot/Int. drain

Not available with 002, 008 & 009 spools.

Valve schematic symbols are per NFPA/ANSI standards, providing flow P to A when energizing operator A. Note operators reverse sides for #008 and #009 spools. See installation information for details.

Code	Symbol
001	
002	
004	
008†	
009*	
020†	
030*	

† 008 and 020 spools have closed crossover.
 * 009 and 030 spools have open crossover.

Valve Weight:
 Double Operator
 5.7 kg (12.7 lbs.)
Standard Bolt Kit:
 BK98
Metric Bolt Kit:
 BKM98

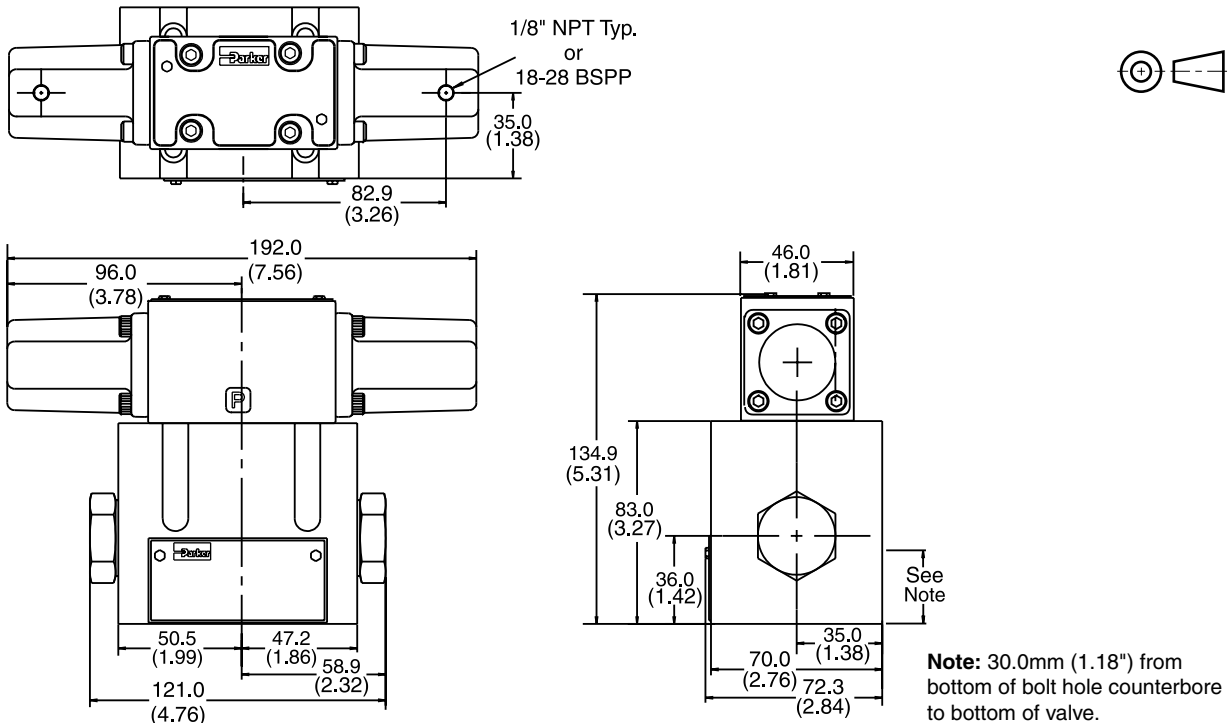
Code	Description	Symbol
B†	Single operator, 2 position, spring offset. P to A and B to T in offset position.	
C	Double operator, 3 position, spring centered.	
D†	Double operator, 2 position, detent.	
E	Single operator, 2 position, spring centered. P to B and A to T when energized.	
H†	Single operator, 2 position, spring offset. P to B and A to T in offset position.	
K	Single operator, 2 position, spring centered. P to A and B to T when energized.	

† Only spools 020 and 030.
 This condition varies with spool code.

Bold: Designates Tier I products and options.

Non-Bold: Designates Tier II products and options. These products will have longer lead times.

Dimensions – Air Operated Inch equivalents for millimeter dimensions are shown in (**)



Note: 30.0mm (1.18") from bottom of bolt hole counterbore to bottom of valve.

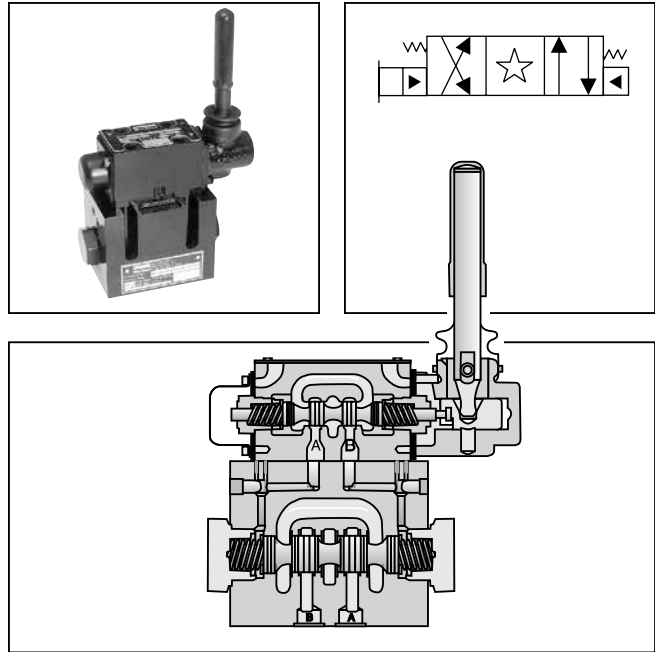
General Description

A

Series D31*L directional control valves are 5-chamber, pilot operated, lever controlled valves. The valves are suitable for manifold or subplate mounting.

Features

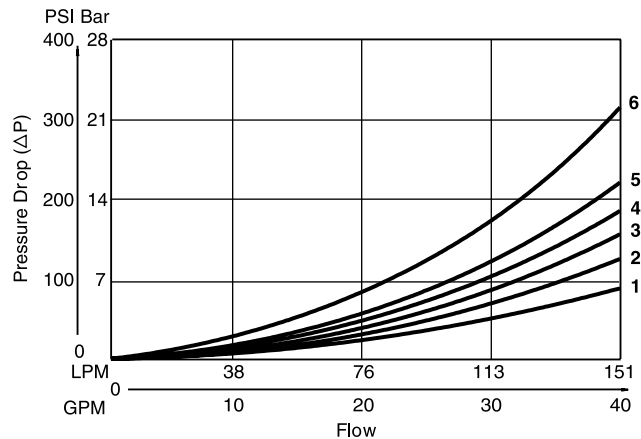
- **World design** – Available worldwide.
- **Mounting bolts below center line of spool** – Minimizes spool binding.
- **Five chamber style** – Eliminates pressure spikes in tubes, increasing valve life.
- **High pressure and flow ratings** – Increased performance options in a compact valve.



Specifications

Mounting Pattern	NFPA D05H , CETOP 5 NFPA D05HE, CETOP 5H
Max. Operating Pressure	345 Bar (5000 PSI)
Max. Tank Line Pressure	Internal Drain Model: 34 Bar (500 PSI) External Drain Model: 207 Bar (3000 PSI)
Maximum Flow	See Switching Limit Charts
Pilot Pressure	Oil Min 6.9 Bar (100 PSI) Oil Max 345 Bar (5000 PSI)
Max. Drain Pressure	34 Bar (500 PSI)
Response Time	Varies with pilot line size and length, pilot pressure, pilot valve shift time & flow capacity (GPM)

Pressure Drop Chart



VISCOSITY CORRECTION FACTOR

Viscosity (SSU)	75	150	200	250	300	350	400
% of ΔP (Approx.)	93	111	119	126	132	137	141

Curves were generated using 100 SSU hydraulic oil. For any other viscosity, pressure drop will change as per chart.

D31VL Pressure Drop Reference Chart -- Curve Number

Spool No.	Shifted				Center Condition							
	P-A	P-B	B-T	A-T	(P-T)	(B-A)	(A-B)	(P-A)	(P-B)	(A-T)	(B-T)	
001	3	3	2	1	-	-	-	-	-	-	-	
002	3	3	1	1	3	3	3	4	4	1	1	
004	3	3	1	1	-	-	-	-	-	1	1	
009	3	3	1	1	6	-	-	-	-	-	-	
020	5	4	2	2	-	-	-	-	-	-	-	
030	4	3	1	1	-	-	-	-	-	-	-	

D31VL Pressure Drop vs. Flow

The chart to the left provides the flow vs. pressure drop curve reference for the D31VL Series valves by spool type.

Example:

Find the pressure drop at 76 LPM (20 GPM) for a D31VL with a number 001 spool. To the right of spool number 001, locate the number 3 in the P-A column, and 2 in the B-T column.

Using the top graph, locate curves 2 and 3 and read the pressure drop values. Total pressure drop through the valve is the sum of the two values.

Ordering Information

D	Directional Control Valve	L	Lever Operated Pilot	Style	Pilot Supply and Drain	Seal	Valve Variations	Design Series	
Code	Description	Code	Symbol	Code	Description	Code	Description	Code	Description
31D	NFPA D05HE, CETOP 5H (ISO)	001		1	Int. pilot/Ext. drain	N	Nitrile	7	Pilot choke – meter out
31V	NFPA D05H, CETOP 5	002		2	Ext. pilot/Ext. drain	V	Fluorocarbon	8	Stroke adj. 'B' End
		004		4#	Int. pilot/Int. drain			9	Stroke adj. 'A' End
		008**		5	Ext. pilot/Int. drain			60	Pilot choke – meter in
		009*		#	Not available with 002, 008 & 009 spools.			89	Stroke adj. 'A' & 'B' Ends
		020**		B†	Sgl. operator, 2 position, spring offset. P to A and B to T in offset position.				
		030*		C	Dbl. operator, 3 position, spring centered.				
				D†	Dbl. operator, 2 position, detent.				
				E	Sgl. operator, 2 position, spring centered. P to B and A to T in shifted position.				
				H†	Sgl. operator, 2 position, spring offset. P to B and A to T in offset position.				
				K	Sgl. operator, 2 position. Spring centered. P to A and B to T in shifted position.				

Valve schematic symbols are per NFPA/ANSI standards, providing flow P to A when energizing operator A. Note operators reverse sides for #008 and #009 spools. See installation information for details.

* 009 and 030 spools have open crossover.
 ** 008 and 020 spools have closed crossover.

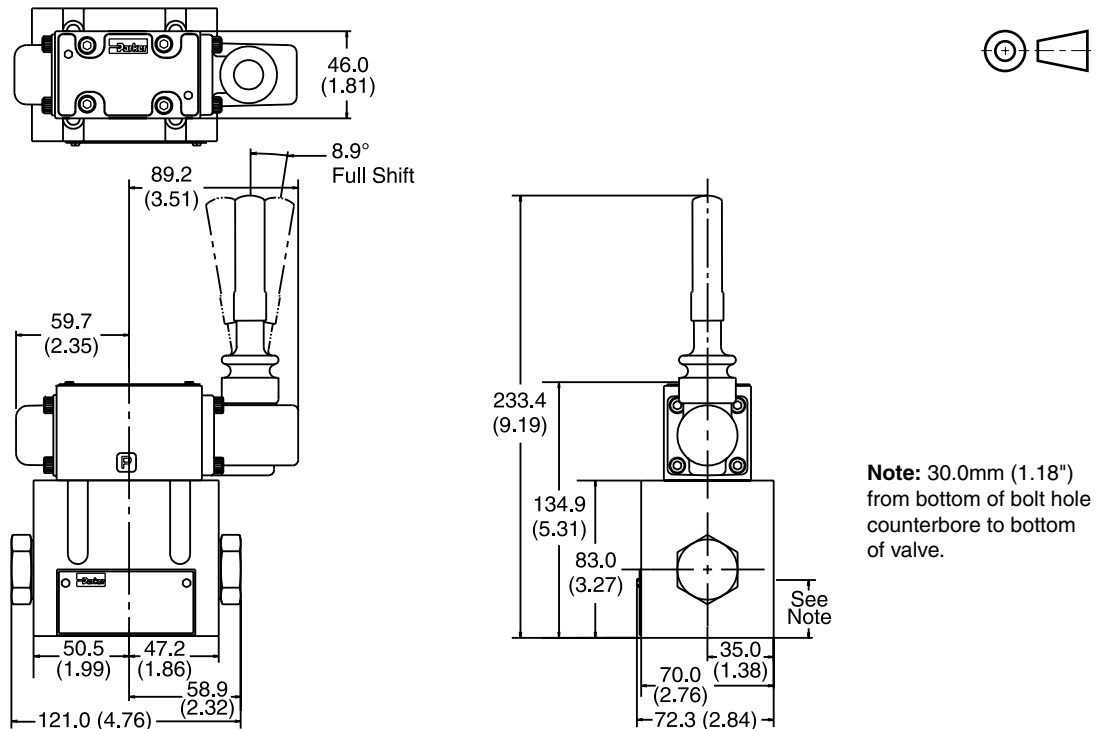
† Only spools 020 and 030.
 This condition varies with spool code.

Valve Weight: 5.4 kg (12.0 lbs.)
Standard Bolt Kit: BK98
Metric Bolt Kit: BKM98

Bold: Designates Tier I products and options.

Non-Bold: Designates Tier II products and options. These products will have longer lead times.

Dimensions – Lever Operated Inch equivalents for millimeter dimensions are shown in (**)



Note: 30.0mm (1.18") from bottom of bolt hole counterbore to bottom of valve.

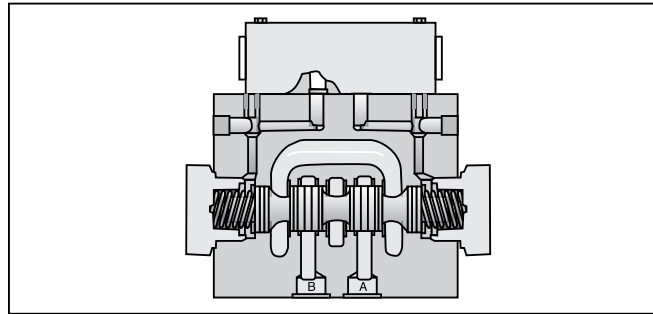
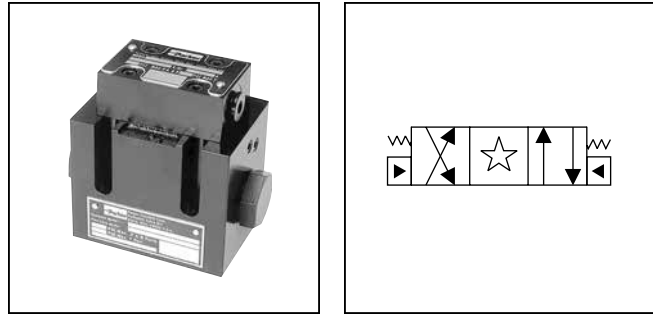
General Description

A

Series D3*P directional control valves are 5-chamber, oil pilot operated valves. The valves are suitable for manifold or subplate mounting.

Features

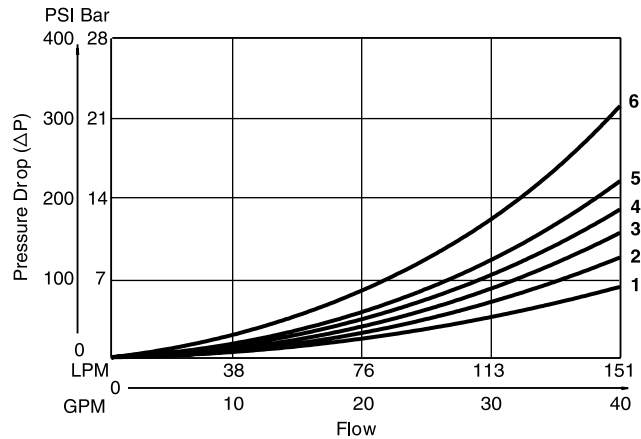
- **World design** – Available worldwide.
- **Mounting bolts below center line of spool** – Minimizes spool binding.
- **High pressure and flow ratings** – Increased performance options in a compact valve.



Specifications

Mounting Pattern	NFPA D05H , CETOP 5 NFPA D05HE, CETOP 5H
Max. Operating Pressure	345 Bar (5000 PSI)
Max. Tank Line Pressure	207 Bar (3000 PSI)
Pilot Pressure	Oil Min: 6.9 Bar (100 PSI) Oil Max: 345 Bar (5000 PSI)
Response Time	Varies with pilot line size and length, pilot pressure, pilot valve shift time & flow capacity (GPM)

Pressure Drop Chart



Spool No.	Shifted				Center Condition							
	P-A	P-B	B-T	A-T	(P-T)	(B-A)	(A-B)	(P-A)	(P-B)	(A-T)	(B-T)	
1	3	3	2	1	-	-	-	-	-	-	-	
2	3	3	1	1	3	3	3	4	4	1	1	
4	3	3	1	1	-	-	-	-	-	1	1	
9	3	3	1	1	6	-	-	-	-	-	-	
20	5	4	2	2	-	-	-	-	-	-	-	
30	4	3	1	1	-	-	-	-	-	-	-	

Viscosity (SSU)	75	150	200	250	300	350	400
% of ΔP (Approx.)	93	111	119	126	132	137	141

Curves were generated using 100 SSU hydraulic oil. For any other viscosity, pressure drop will change as per chart.

D3P Pressure Drop vs. Flow

The chart to the left provides the flow vs. pressure drop curve reference for the D3P Series valves by spool type.

Example:

Find the pressure drop at 76 LPM (20 GPM) for a D3P with a number 1 spool. To the right of spool number 1, locate the number 3 in the P-A column, and 2 in the B-T column.

Using the top graph, locate curves 2 and 3 and read the pressure drop values. Total pressure drop through the valve is the sum of the two values.

Ordering Information

<div style="border: 1px solid black; width: 20px; height: 20px; margin: 0 auto; display: flex; align-items: center; justify-content: center; font-weight: bold;">D</div> <p>Directional Control Valve</p>	<div style="border: 1px solid black; width: 20px; height: 20px; margin: 0 auto; display: flex; align-items: center; justify-content: center;"> </div> <p>Basic Valve</p>	<div style="border: 1px solid black; width: 20px; height: 20px; margin: 0 auto; display: flex; align-items: center; justify-content: center; font-weight: bold;">P</div> <p>Hydraulic Pilot</p>	<div style="border: 1px solid black; width: 20px; height: 20px; margin: 0 auto; display: flex; align-items: center; justify-content: center;"> </div> <p>Spool</p>	<div style="border: 1px solid black; width: 20px; height: 20px; margin: 0 auto; display: flex; align-items: center; justify-content: center;"> </div> <p>Style</p>	<div style="border: 1px solid black; width: 20px; height: 20px; margin: 0 auto; display: flex; align-items: center; justify-content: center;"> </div> <p>Pilot Supply and Drain</p>	<div style="border: 1px solid black; width: 20px; height: 20px; margin: 0 auto; display: flex; align-items: center; justify-content: center;"> </div> <p>Seal</p>	<div style="border: 1px solid black; width: 20px; height: 20px; margin: 0 auto; display: flex; align-items: center; justify-content: center;"> </div> <p>Valve Variations</p>	<div style="border: 1px dashed black; width: 20px; height: 20px; margin: 0 auto; display: flex; align-items: center; justify-content: center;"> </div> <p>Design Series</p> <p>NOTE: Not required when ordering.</p>
---	--	---	--	--	---	---	---	--

<table border="1"> <thead> <tr> <th>Code</th> <th>Description</th> </tr> </thead> <tbody> <tr> <td>3D</td> <td>NFPA D05HE, CETOP 5H</td> </tr> <tr> <td>3</td> <td>NFPA D05H, CETOP 5</td> </tr> </tbody> </table>	Code	Description	3D	NFPA D05HE, CETOP 5H	3	NFPA D05H, CETOP 5	<table border="1"> <thead> <tr> <th>Code</th> <th>Symbol</th> </tr> </thead> <tbody> <tr> <td>1</td> <td></td> </tr> <tr> <td>2</td> <td></td> </tr> <tr> <td>4</td> <td></td> </tr> <tr> <td>8**</td> <td></td> </tr> <tr> <td>9*</td> <td></td> </tr> <tr> <td>20**</td> <td></td> </tr> <tr> <td>30*</td> <td></td> </tr> </tbody> </table> <p>* 9 and 30 spools have open crossover. ** 8 and 20 spools have closed crossover.</p>	Code	Symbol	1		2		4		8**		9*		20**		30*		<table border="1"> <thead> <tr> <th>Code</th> <th>Description</th> </tr> </thead> <tbody> <tr> <td>N</td> <td>Nitrile</td> </tr> <tr> <td>V</td> <td>Fluorocarbon</td> </tr> </tbody> </table>	Code	Description	N	Nitrile	V	Fluorocarbon	<table border="1"> <thead> <tr> <th>Code</th> <th>Description</th> </tr> </thead> <tbody> <tr> <td>2</td> <td>Ext. pilot/Ext. drain</td> </tr> <tr> <td>5#</td> <td>Ext. pilot/Int. drain</td> </tr> </tbody> </table> <p># Available on "B" and "H" styles only.</p>	Code	Description	2	Ext. pilot/Ext. drain	5#	Ext. pilot/Int. drain	<table border="1"> <thead> <tr> <th>Code</th> <th>Description</th> <th>Symbol</th> </tr> </thead> <tbody> <tr> <td>B†</td> <td>Single operator, 2 position, spring offset. P to A and B to T in offset position.</td> <td></td> </tr> <tr> <td>C</td> <td>Double operator, 3 position, spring centered.</td> <td></td> </tr> <tr> <td>H†</td> <td>Single operator, 2 position, spring offset. P to B and A to T in offset position.</td> <td></td> </tr> </tbody> </table>	Code	Description	Symbol	B†	Single operator, 2 position, spring offset. P to A and B to T in offset position.		C	Double operator, 3 position, spring centered.		H†	Single operator, 2 position, spring offset. P to B and A to T in offset position.	
Code	Description																																																	
3D	NFPA D05HE, CETOP 5H																																																	
3	NFPA D05H, CETOP 5																																																	
Code	Symbol																																																	
1																																																		
2																																																		
4																																																		
8**																																																		
9*																																																		
20**																																																		
30*																																																		
Code	Description																																																	
N	Nitrile																																																	
V	Fluorocarbon																																																	
Code	Description																																																	
2	Ext. pilot/Ext. drain																																																	
5#	Ext. pilot/Int. drain																																																	
Code	Description	Symbol																																																
B†	Single operator, 2 position, spring offset. P to A and B to T in offset position.																																																	
C	Double operator, 3 position, spring centered.																																																	
H†	Single operator, 2 position, spring offset. P to B and A to T in offset position.																																																	

Valve Weight:
Single Operator 1.4 kg (3.0 lbs.)
Double Operator 1.6 kg (3.5 lbs.)

Standard Bolt Kit: BK98

Metric Bolt Kit: BKM98

Seal Kit:
Nitrile SKD3P
Fluorocarbon SKD3PV

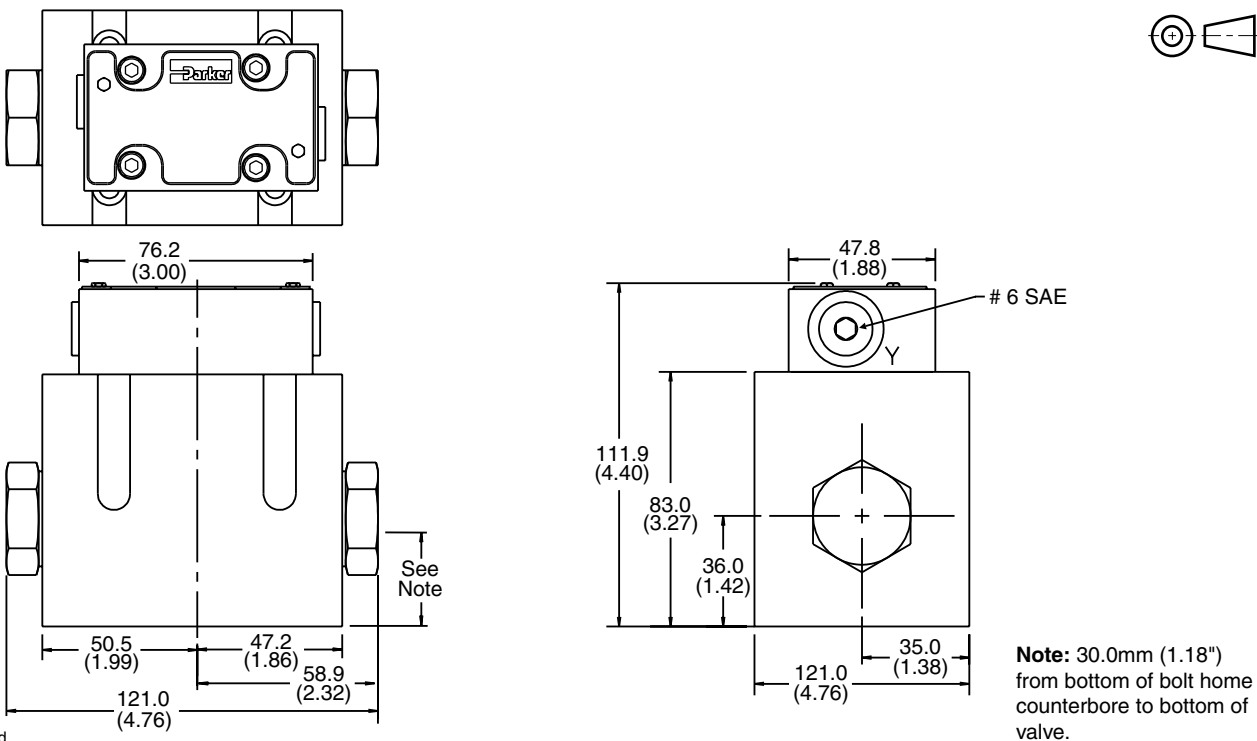
† Only spools 20 and 30. This condition varies with spool code.

Valve schematic symbols are per NFPA/ANSI standards, providing flow P to A when energizing operator X. Note operators reverse sides for #8 and #9 spool. See installation information for details.

Bold: Designates Tier I products and options.

Non-Bold: Designates Tier II products and options. These products will have longer lead times.

Dimensions – Oil Operated Inch equivalents for millimeter dimensions are shown in (**)



D31.indd, dd

A

FOR MAXIMUM VALVE RELIABILITY, ADHERE TO THE FOLLOWING INSTALLATION INFORMATION.

The following is important installation information which applies to all directional control valves described in this catalog.

Mounting Position

- Detent – Horizontal
- Spring Offset – Unrestricted
- Spring Centered – Unrestricted

Fluid Recommendations

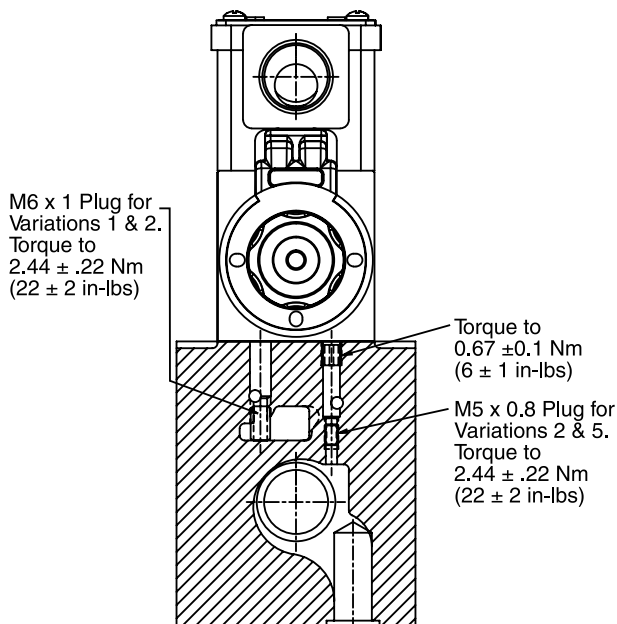
Premium quality hydraulic oil with a viscosity range between 32-54 cst. (150-250 SSU) At 38°C (100°F) is recommended. The absolute operating viscosity range is from 16-220 cst. (80-1000 SSU). Oil should have maximum anti-wear properties and rust and oxidation treatment.

Fluids and Seals

Valves using synthetic, fire-resistant fluids require special seals. When phosphate esters or its blends are used, FLUOROCARBON seals are required. Water-glycol, water-in-oil emulsions and petroleum oil may be used with STANDARD seals.

Filtration

For maximum valve and system component life, the system should be protected from contamination at a level not to exceed 125 particles greater than 10 microns per milliliter of fluid (SAE class 4/ISO 16/13).



Silting

Silting can cause any sliding spool valve to stick and not spring return if held under pressure for long periods of time. The valve should be cycled periodically to prevent sticking.

Special Installations

Consult your Parker representative for any application requiring the following:

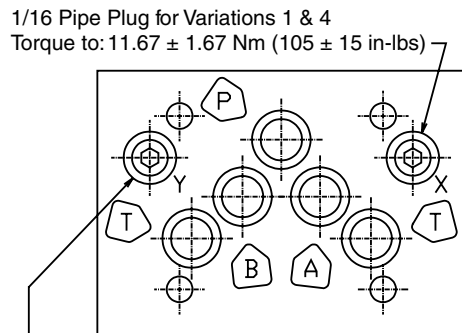
- Pressure above rating.
- Fluid other than those specified.
- Oil temperature above 71.1°C (160°F).
- Flow path other than normal.

Mounting Patterns

Series	NFPA	Size
D31V*, D3P	D05H, CETOP 5	3/8"
D31D*, D3DP, D31NW	D05HE, CETOP 5H	3/8"

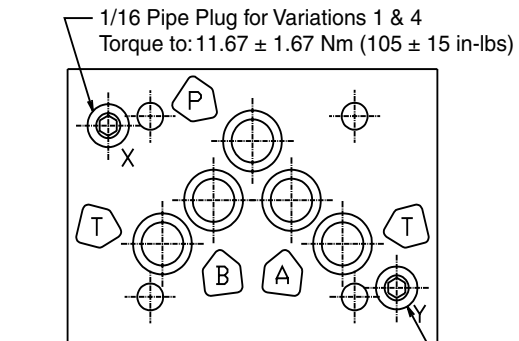
Torque Specifications

The recommended torque values for the bolts which mount the valve to the manifold or subplate are as follows: 16.3 Nm (12 ft-lb).



1/16 Pipe Plug for Variations 4 & 5
Torque to: 11.67 ± 1.67 Nm (105 ± 15 in-lbs)

NFPA D05HE, CETOP 5H Pattern D31DW



1/16 Pipe Plug for Variations 4 & 5
Torque to: 11.67 ± 1.67 Nm (105 ± 15 in-lbs)

NFPA D05H, CETOP 5 Pattern D31VW

SERIES D31*W, D31*A, D31*L
PILOT OPERATED,
DIRECTIONAL CONTROL VALVES

Tank and Drain Line Surges

If several valves are piped with a common tank or drain line, flow surges in the line may cause an unexpected spool shift. No spring style valves are most susceptible to this. Separate tank and drain lines should be piped in installations where line surges are expected.

Electrical Failure or Loss of Pilot Pressure (D31*A)

Should electric power fail or loss of pilot pressure occur, spring offset and spring centered valves will shift to the spring held position. Detented valves will stay in the last position held before power failure. If main flow does not fail or stop at the same time power fails, machine actuators may continue to function in an undesirable manner or sequence.

Electrical Characteristics (Detented Spool)

Only a momentary energizing of the solenoid is necessary to shift and hold a detented spool. Minimum duration of the signal is 0.1 seconds for DC voltages. For AC voltages the response time is 0.06 seconds. Spool position will be held provided the spool centerline is in a horizontal plane, and no shock or vibration is present to displace the spool.

Pilot/Drain Characteristics

Pilot Pressure: 6.9 to 345 Bar (100 to 5000 PSI)

External: An oil source sufficient to maintain minimum pilot pressure must be connected to the “X” port of the main body. When using the external pilot variation, an M5 x 0.8 x 6mm long set screw must be present in the

main body pilot passage. (For details see Dimension pages.) This plug will be furnished in valves ordered with pilot code 2 or 5.

Internal: Flow is internally ported from the pressure port of the main valve body to the “P” port of the pilot valve. The pressure developed at the “P” port of the pilot valve must be 100 PSI (6.9 Bar) minimum at all times.

If the valve center condition allows flow from pressure to tank, 100 PSI (6.9 Bar) back pressure must be developed in the tank line to ensure sufficient pilot force at “P”. The “X” port in subplate must be plugged when using internal pilot variation (1/16 NPT).

Pilot Valve Drain:

Maximum pressure 102 Bar (1500 PSI), 207 Bar (3000 PSI) optional.

External: When using an external drain, an M6 x 1 x 10mm long set screw must be present in the main body drain passage. (For details see Dimension pages.) This plug will be furnished in valves ordered with drain code 1 or 2.

Drain flow from the pilot valve is at the “Y” port of the main body and must be piped directly to tank. Maximum drain line pressure is 102 Bar (1500 PSI), 207 Bar (3000 PSI) optional. Any drain line back pressure is additive to the pilot pressure requirement.

Internal: Drain flow from the pilot valve is internally connected to the main valve tank port. Tank and drain pressure are then identical so tank line pressure should not exceed 102 Bar (1500 PSI), 207 Bar (3000 PSI) optional. Any tank line back pressure is also additive to the pilot pressure requirement. If flow surges (a cause of pressure surges) are anticipated in the tank line, an external drain variation is recommended. The “Y” port in subplate must be plugged when using internal drain variations.

D31*W, D31*A, D31*L Flow Paths

Style Code	Description	No Solenoid/Operator Energized	Solenoid/Operator A Energized	Solenoid/Operator B Energized
B	Spring Offset	P→A and B→T	—	P→B and A→T
C	Spring Centered	Centered	P→A and B→T	P→B and A→T
D	Detented	Last Position Held	P→A and B→T	P→B and A→T
E	Spring Centered	Centered	—	P→B and A→T
F†	Spring Offset, Shift to Center	P→A and B→T	—	Centered
H	Spring Offset	P→B and A→T	P→A and B→T	—
K	Spring Centered	Centered	P→A and B→T	—
M†	Spring Offset, Shift to Center	P→B and A→T	Centered	—

† D31*W only.

D31.indd, dd

A

**SERIES D3P, D3DP PILOT OPERATED
 DIRECTIONAL CONTROL VALVES**

Tank and Drain Line Surges

If several valves are piped with a common tank or drain line, flow surges in the line may cause an unexpected spool shift. Separate tank and drain lines should be piped in installations where line surges are expected.

Loss of Pilot Pressure

Should oil pilot pressure fail, spring offset and spring centered valves will shift to the spring held position. Detented valves will stay in the last position held before power failure. If main flow does not fail or stop at the same time power fails, machine actuators may continue to function in an undesirable manner or sequence.

Mounting Pattern

D3P valves may be mounted on a standard D05 pattern subplate or manifold only if the “X” and “Y” ports are externally connected to the pilot block on top of the main body. All other mounting styles require a D05H or D05HE pattern which incorporates ports for the “X” and “Y” pilot and drain passages. Location of these ports can be found on the Recommended Mounting Surface pages in this section.

Pilot Drain Characteristics

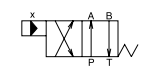
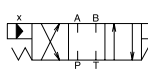
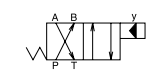
Pilot Pressure: 6.9 to 345 Bar (100 to 5000 PSI)

Direct pilot operated valves use the “X” and “Y” ports to supply pilot oil directly to the ends of the spool, providing spool shifting force. A block mounted on top of the valve body is internally cored to make the necessary connections. Thus when “X” is pressurized, “Y” is used as a drain; and when “Y” is pressurized, “X” becomes the drain.

Any back pressure in these lines when they are being used as a drain is additive to the pilot pressure requirement.

Internal Drain: On spring offset models, only the “X” port is pressurized, as the spring returns the spool to its at rest position. On these models, “Y” may be internally drained through the main tank passage in the valve.

D3P Flow Path/Pilot Pressure

Style Code	Description	“X” & “Y” De-Pressurized	“X” Port Pressurized	“Y” Port Pressurized	Special Notes	Recommended Control Valve For Pilot Oil
B	Two Position Spring Offset	P→A, B→T	P→A, B→T	P→B, A→T	“X” Port may be pressurized to assist spring in returning spool to offset position (ext. only)	
C	Three Position Spring Centered	Center	P→A, B→T	P→B, A→T	Flow paths will be reversed on valves with tandem center (8) spools	
H	Two-Position Spring Offset	P→B, A→T	P→A, B→T	P→B, A→T	“Y” Port may be pressurized to assist spring in returning spool to offset position	

Series D31VW, D31VA, D31VL, D3P
Subplate Mounting
NFPA D05H, CETOP 5

Recommended Mounting Surface

Surface must be flat within .102 mm (0.0004 inch) T.I.R and smooth within 812.8 micro-meters (32 micro-inch). Torque bolts to 16.3 Nm (12 ft-lbs).

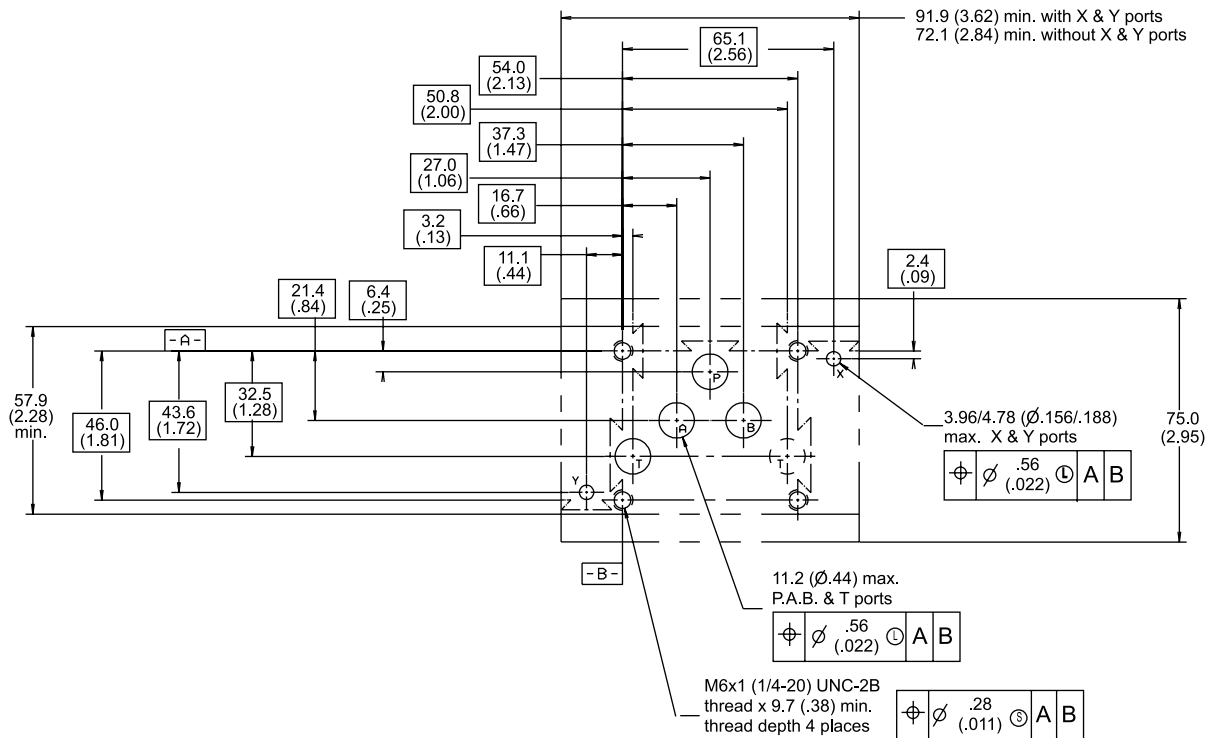
Mounting Position

Valve Type	Mounting Position
Detent (Solenoid)	Horizontal
Spring Offset	Unrestricted
Spring Centered	Unrestricted

For maximum valve reliability, adhere to the following installation information.

Mounting Pattern — NFPA D05H, CETOP 5

Inch equivalents for millimeter dimensions are shown in (**)



Series D31DW, D31DA, D31DL, D3DP, D31NW
Subplate Mounting
NFPA D05HE, CETOP 5H

A

Recommended Mounting Surface

Surface must be flat within .102 mm (0.0004 inch) T.I.R. and smooth within 812.8 micro-meters (32 micro-inch). Torque bolts to 16.3 Nm (12 ft-lbs).

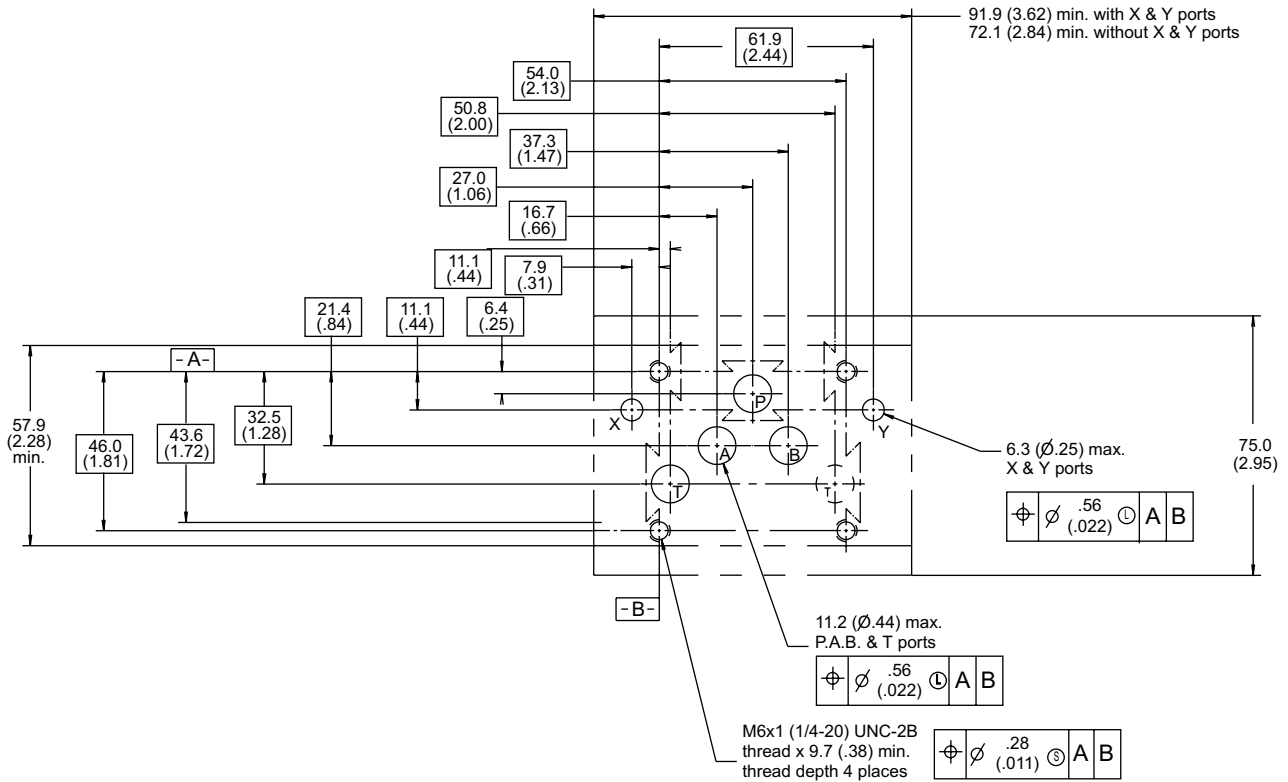
Mounting Position

Valve Type	Mounting Position
Detent (Solenoid)	Horizontal
Spring Offset	Unrestricted
Spring Centered	Unrestricted

For maximum valve reliability, adhere to the following installation information.

Mounting Pattern — NFPA D05HE, CETOP 5H

Inch equivalents for millimeter dimensions are shown in (**)



A**Application**

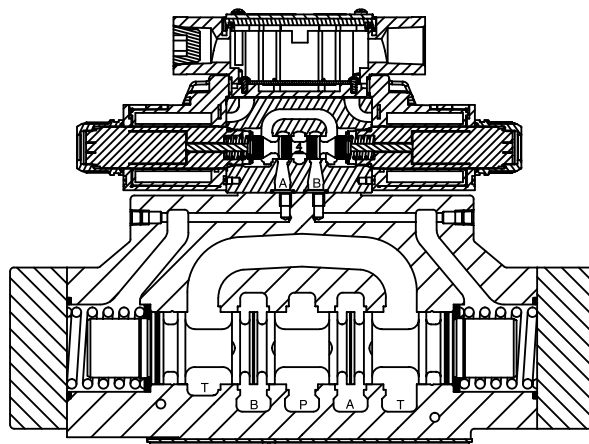
Series D41 hydraulic directional control valves are high performance, solenoid controlled, pilot operated, 2-stage, 4-way valves. They are available in 2 or 3 position styles and are manifold mounted. These valves conform to NFPA's D07, CETOP 7 mounting patterns.

Operation

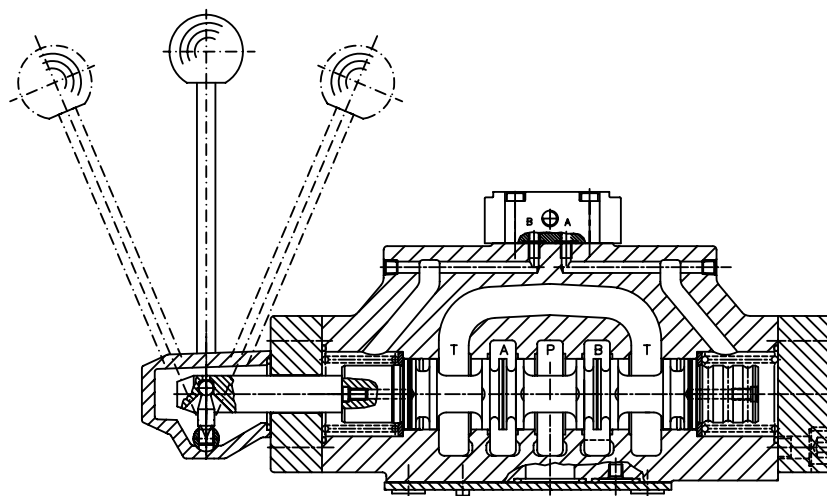
Series D41 directional valves consist of a 5-chamber style main body, a case hardened sliding spool, and a pilot valve or oil pilot operator.

Features

- Easy access mounting bolts.
- 345 Bar (5000 PSI) pressure rating.
- Flows to 300 LPM (79.4 GPM) depending on spool.
- Choice of three operator styles.
- Rugged four land spools.
- Low pressure drop.
- Phosphate finish.



D41VW Solenoid Operated Plug-In Conduit Box



D4L Lever Operated

General Description

Series D41VW valves are piloted by a D1VW valve. The valves can be ordered with position control.

The minimum pilot pressure must be ensured for all operating conditions of the directional valve.

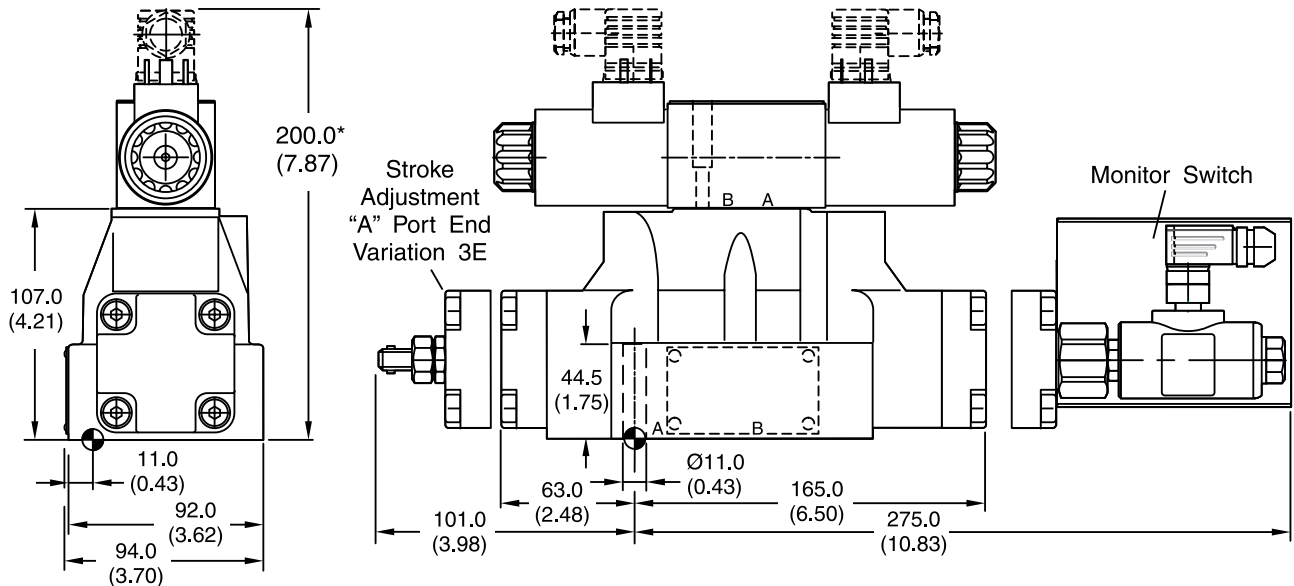
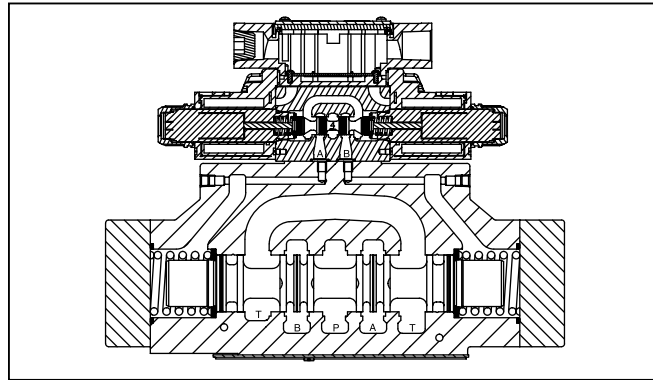
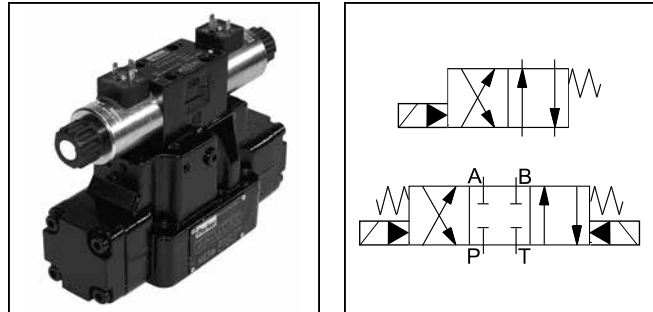
Additionally spools with a P to T connection in the de-energized position need an external pressure supply (external inlet) or an integral check valve.

Features

- **World design** – Available worldwide.
- **Mounting bolts below center line of spool** – Minimizes spool binding.
- **Five chamber style** – Eliminates pressure spikes in tubes, increasing valve life.
- **High pressure and flow ratings** – Increased performance options in a compact valve.

Dimensions

Inch equivalents for millimeter dimensions are shown in (**)

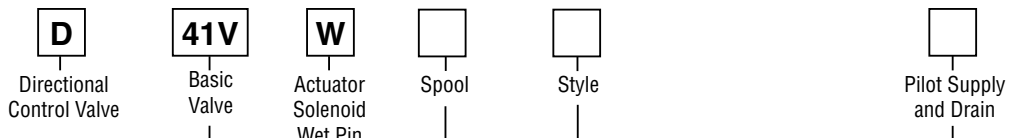


* Please add for each sandwich plate +40mm (1.58") (pressure reducing valve, pilot choke valve meter-in/-out).

Surface Finish	Kit	Kit	Kit	Seal Kit
	BK320	4x M10x60 2x M6x55 DIN 912 12.9	63 Nm (46.5 lb.-ft.) 13.2 Nm (9.7 lb.-ft.) ±15%	Nitrile: SK-D41VW-N-91 Fluorocarbon: SK-D41VW-V-91

The space necessary to remove the plug per DIN 43650, design type AF is at least 15 mm.

The torque for the screw M3 of the plug has to be 0.5 to 0.6 Nm.



NFPA D07,
 CETOP 7
 DIN NG16

Code	Description	
1	Internal Pilot	External Drain
2	External Pilot	External Drain
3	Internal Pilot w/ Check	Internal Drain
4	Internal Pilot	Internal Drain
5	External Pilot	Internal Drain
6	Internal Pilot w/ Check	Internal Drain

* Not available with 002, 007, 009, 054 spools.

3-Position Spools	
Code	Spool Type
	a 0 b
001	
002	
003	
004	
005	
006	
007	
009	
011	
014	
015	
016	
021	
022	
054	
081	
082	

2-Position Spools	
Code	Spool Type
	a b
020	
026	
030	

3-Position Spools		
Code	All 3-Position Spools	
C		3 positions. Spring offset in position "0". Operated in position "a" or "b".
	Standard	Spool Type 009
E		 2 positions. Spring offset in position "0".
F		 2 positions. Operated in position "0".
K		 2 positions. Spring offset in position "0".
M		 2 positions. Operated in position "0".
R		 2 positions, detent. Operated in position "0" or "b".
S		 2 positions, detent. Operated in position "0" or "a". No center in offset position.

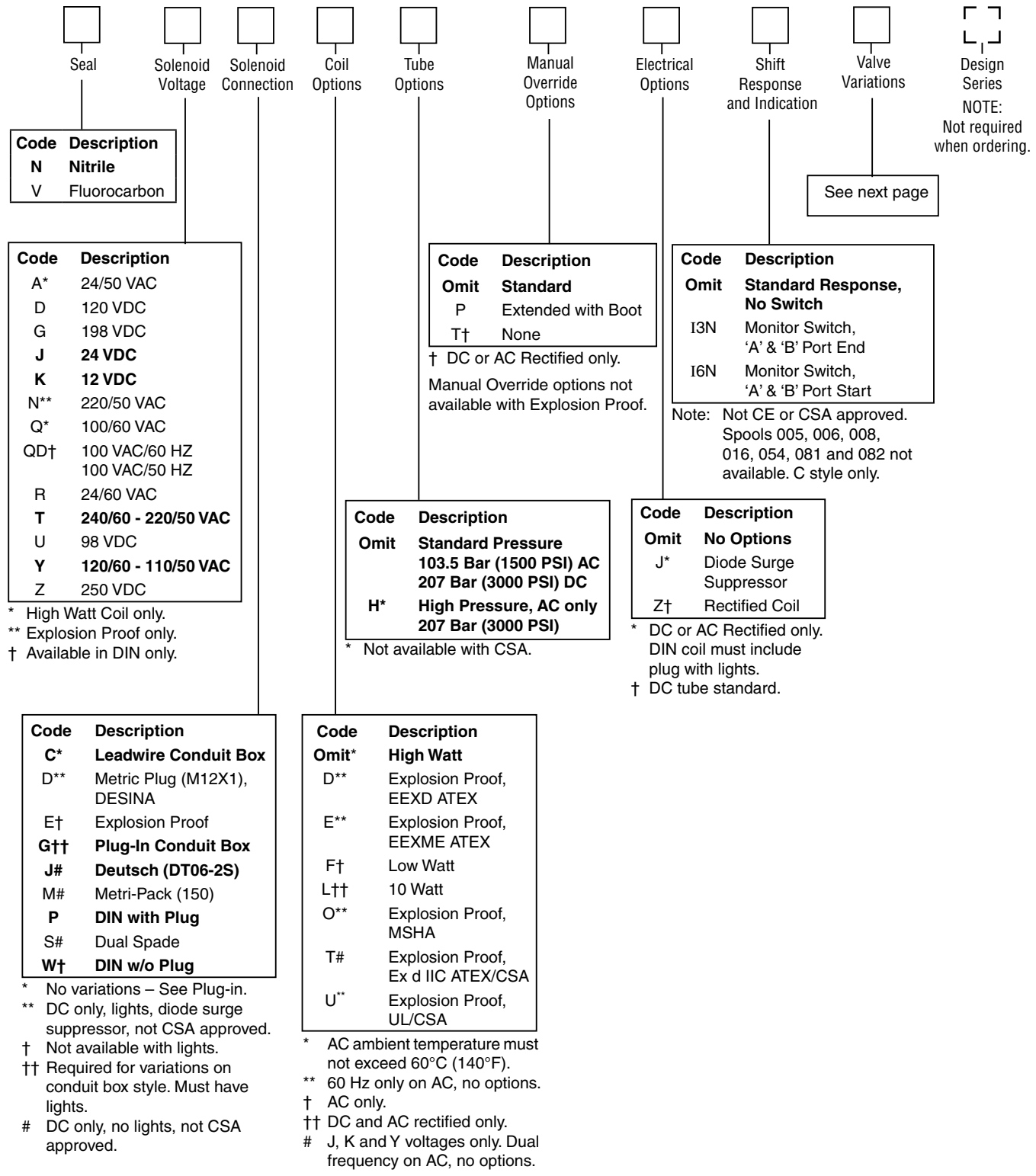
2-Position Spools		
Code	Spool Position	
B		Spring offset in position "b". Operated in position "a".
D		Detent, operated in position "a" or "b". No center or offset position.
H		Spring offset in position "a". Operated in position "b".

Weight:
 Single Solenoid: 9.7 kg (21.4 lbs.)
 Double Solenoid: 10.3 kg (22.7 lbs.)

Bold: Designates Tier I products and options.

Non-Bold: Designates Tier II products and options. These products will have longer lead times.





Bold: Designates Tier I products and options.

Non-Bold: Designates Tier II products and options. These products will have longer lead times.

Valve Variations

A

Code	Description
5*	Signal Lights – Standard Signal Lights – Hirsch. (DIN with Plug)
7B**	Manaplug – Brad Harrison (12x1) Micro with Lights
56**	Manaplug (Mini) with Lights
1C**	Manaplug (Mini) Single Sol. 5-pin, with Lights
1D**	Manaplug (Micro) Single Sol. 5-pin, with Lights
1G**	Manaplug (Mini) Single Sol. 5-pin, with Stroke Adjust 'A' & 'B' End and Lights
1H**	Manaplug (Micro) Single Sol. 5-pin, with Stroke Adjust 'A' & 'B' End and Lights
1M**	Manaplug Opposite Normal
1R	Stroke Adjust 'A' & 'B' End with Pilot Choke Meter In
3A	Pilot Choke Meter Out
3B	Pilot Choke Meter In
3C	Pilot Pressure Reducer
3D	Stroke Adjust 'B' End
3E	Stroke Adjust 'A' End
3F	Stroke Adjust 'A' & 'B' End
3G*	Pilot Choke Meter Out with Lights
3H*	Pilot Choke Meter In with Lights
3J*	Pilot Pressure Reducer with Lights
3K	Pilot Choke Meter Out with Stroke Adjust 'A' & 'B' End
3L**	Pilot Choke Meter Out, Stroke Adjust 'A' & 'B' End with Lights and Manaplug — Brad Harrison Mini
3M	Pilot Choke Meter Out, Pilot Pressure Reducer, Stroke Adjust 'A' & 'B' End
3R	Pilot Choke Meter Out & Pilot Pressure Reducer
3S**	Lights and 5-pin Mini Manaplug with Pilot Choke
7Y**	M12x1 Manaplug (4-pin), Special Wiring, and Lights

* DESINA, plug-in conduit box, and DIN with plug styles only.

** Must have plug-in style conduit box.

Bold: Designates Tier I products and options.

Non-bold: Designates Tier II products and options. These products will have longer lead times.



Solenoid Ratings

Insulation System	Class F
Allowable Deviation from rated voltage	-15% to +10% for DC and AC rectified coils -5% to +5% for AC Coils
Armature	Wet pin type
CSA File Number	LR60407
Environmental Capability	DC Solenoids meet NEMA 4 and IP67 when properly wired and installed. Contact HVD for AC coil applications.

Explosion Proof Solenoid Ratings*

U.L. & CSA (EU)	Class I, Div 1 & 2, Groups C & D Class II, Div 1 & 2, Groups E, F & G As defined by the N.E.C.
MSHA (EO)	Complies with 30CFR, Part 18
ATEX (ED)	Complies with ATEX requirements for: Exd, Group IIB; EN50014: 1999+ Amds. 1 & 2, EN50018: 2000
ATEX & CSA/US (ET)	Complies with ATEX EN60079-0, EN60079-1 Ex d IIC; CSA/US Ex d IIC, AEx d IIC for Class I, Zone 1, UL1203, UL1604, CSA E61241,1 Class II, Div 1

* Allowable Voltage Deviation ±10%.
 Note that Explosion Proof AC coils are single frequency only.

Code		Voltage	In Rush Amps Amperage	In Rush VA	Holding Amps @ 3MM	Watts	Resistance
Voltage Code	Power Code						
D	L	120 VDC	N/A	N/A	0.09 Amps	10 W	1584.00 ohms
D	Omit	120 VDC	N/A	N/A	0.26 Amps	30 W	528.00 ohms
G	Omit	198 VDC	N/A	N/A	0.15 Amps	30 W	1306.80 ohms
J	L	24 VDC	N/A	N/A	0.44 Amps	10 W	51.89 ohms
J	Omit	24 VDC	N/A	N/A	1.32 Amps	30 W	17.27 ohms
K	L	12 VDC	N/A	N/A	0.88 Amps	10 W	12.97 ohms
K	Omit	12 VDC	N/A	N/A	2.64 Amps	30 W	4.32 ohms
L	L	6 VDC	N/A	N/A	1.67 Amps	10 W	3.59 ohms
L	Omit	6 VDC	N/A	N/A	5.00 Amps	30 W	1.20 ohms
Q	Omit	100 VAC / 60 Hz	2.05 Amps	170 VA	0.77 Amps	30 W	19.24 ohms
QD	F	100 VAC / 60 Hz	1.35 Amps	135 VA	0.41 Amps	18 W	31.20 ohms
QD	F	100 VAC / 50 Hz	1.50 Amps	150 VA	0.57 Amps	24 W	31.20 ohms
R	F	24/60 VAC, Low Watt	6.67 Amps	160 VA	2.20 Amps	23 W	1.52 ohms
T	Omit	240/60 VAC	0.83 Amps	199 VA	0.30 Amps	30 W	120.40 ohms
T	Omit	220/50 VAC	0.87 Amps	191 VA	0.34 Amps	30 W	120.40 ohms
T	F	240/60 VAC, Low Watt	0.70 Amps	168 VA	0.22 Amps	21 W	145.00 ohms
T	F	220/50 VAC, Low Watt	0.75 Amps	165 VA	0.26 Amps	23 W	145.00 ohms
U	L	98 VDC	N/A	N/A	0.10 Amps	10 W	960.00 ohms
U	Omit	98 VDC	N/A	N/A	0.31 Amps	30W	288.00 ohms
Y	Omit	120/60 VAC	1.7 Amps	204 VA	0.60 Amps	30 W	28.20 ohms
Y	Omit	110/50 VAC	1.7 Amps	187 VA	0.68 Amps	30 W	28.20 ohms
Y	F	120/60 VAC, Low Watt	1.40 Amps	168 VA	0.42 Amps	21 W	36.50 ohms
Y	F	110/50 VAC, Low Watt	1.50 Amps	165 VA	0.50 Amps	23 W	36.50 ohms
Z	L	250 VDC	N/A	N/A	0.04 Amps	10 W	6875.00 ohms
Z	Omit	250 VDC	N/A	N/A	0.13 Amps	30 W	1889.64 ohms
Explosion Proof Solenoids							
R		24/60 VAC	7.63 Amps	183 VA	2.85 Amps	27 W	1.99 ohms
T		240/60 VAC	0.76 Amps	183 VA	0.29 Amps	27 W	1.34 ohms
N		220/50 VAC	0.77 Amps	169 VA	0.31 Amps	27 W	1.38 ohms
Y		120/60 VAC	1.60 Amps	192 VA	0.58 Amps	27 W	33.50 ohms
P		110/50 VAC	1.47 Amps	162 VA	0.57 Amps	27 W	34.70 ohms
K		12 VDC	N/A	N/A	2.75 Amps	33 W	4.36 ohms
J		24 VDC	N/A	N/A	1.38 Amps	33 W	17.33 ohms
"ET" Explosion Proof Solenoids							
K		12 VDC	N/A	N/A	1.00 Amps	12 W	12.00 ohms
J		24 VDC	N/A	N/A	1.00 Amps	13 W	44.30 ohms
Y		120/60-50 VAC	N/A	N/A	0.16 Amps	17 W	667.00 ohms

D41.indd, dd



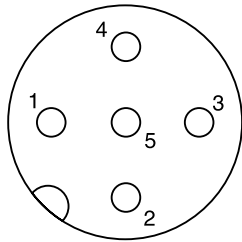
A

General		
Design	Directional Spool Valve	
Actuation	Solenoid	
Size	NG16	
Mounting Interface	DIN 24340 A16 / ISO 4401 / NFPA D07 / CETOP RP 121-H	
Mounting Position	Unrestricted, preferably horizontal	
Ambient Temperature	[°C] -25...+50; (-13°F...+122°F) (without inductive position control) [°C] 0...+50; (+32°F...+122°F) (with inductive position control)	
MTTF _D Value	[years] 75	
Hydraulic		
Maximum Operating Pressure	Pilot drain internal: P, A, B, X 350 Bar (5075 PSI); T, Y 105 Bar (1523 PSI) Pilot drain external: P, A, B, T, X 350 Bar (5075 PSI); Y 105 Bar (1523 PSI) 10 Watt 207 Bar (3000 PSI)	
Fluid	Hydraulic oil in accordance with DIN 51524 / 51525	
Fluid Temperature	[°C] -25 ... +70 (-13°F...+158°F)	
Viscosity Permitted	[cSt]/[mm ² /s] 2.8...400 (13...1854 SSU)	
Recommended	[cSt]/[mm ² /s] 30...80 (139...371 SSU)	
Filtration	ISO 4406 (1999); 18/16/13 (meet NAS 1638: 7)	
Flow Maximum	300 LPM (79.4 GPM)	
Leakage at 350 Bar (per flow path)	[ml/min] up to 200 (0.05 GPM) (depending on spool)	
Operating Pressure Integral Check Valve	See p/Q Diagram	
Minimum Pilot Supply Pressure	5 Bar (73 PSI)	
Static / Dynamic		
Step Response at 85%	Energized	De-energized
DC Solenoids		
Pilot Pressure		
50 Bar [ms]	95	65
100 Bar [ms]	75	65
250 Bar & 350 Bar [ms]	60	65
AC Solenoids		
Pilot Pressure		
50 Bar [ms]	75	55
100 Bar [ms]	65	55
250 Bar & 350 Bar [ms]	40	55

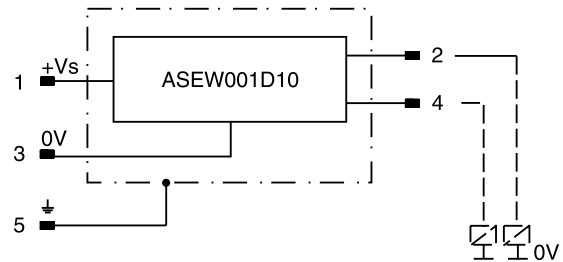
Position Control M12x1

Protection Class		IP 65 in accordance with EN 60529 (plugged and mounted)
Ambient Temperature	[°C]	0...+50; (+32°F...122°F)
Supply Voltage / Ripple	[V]	18...42 ±10%
Current Consumption without Load	[mA]	≤ 30
Max. Output Current per Channel, Ohmic	[mA]	400
Min. Output Load per Channel, Ohmic [kOhm]		100
Max. Output Drop at 0.2A	[V]	≤ 1.1
Max. Output Drop at 0.4A	[V]	≤ 1.6
EMC		EN50081-1 / EN50082-2
Max. Tolerance Ambient Field Strength	[A/m]	<1200
Min. Distance to Next AC Solenoid	[m]	>0.1
Interface		M12x1 per IEC 61076-2-101
Wiring Minimum	[mm²]	5 x 0.25 brad shield recommended
Wiring Length Maximum	[m]	50 (164 ft.) recommended

M12 Pin Assignment



- 1 + Supply 18...42V
- 2 Out B: normally closed
- 3 0V
- 4 Out A: normally open
- 5 Earth ground



Definitions

Start position monitored:

The valve is de-energized. The inductive switch gives a signal at the moment (below 15% spool stroke) when the spool leaves the spring offset position.

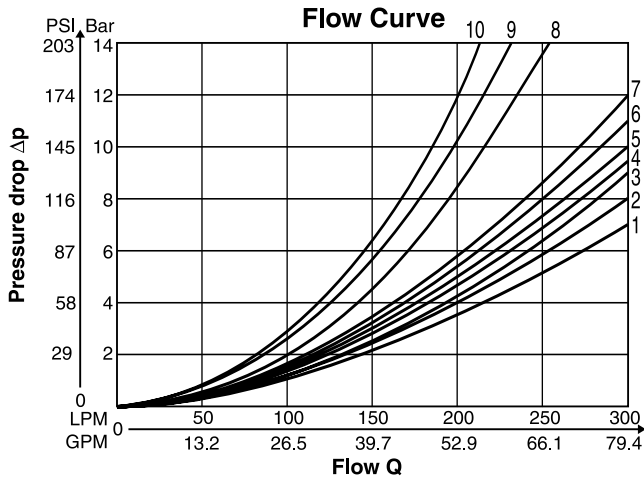
End position monitored:

The inductive switch gives a signal before the end position is reached. (above 85% spool stroke).

Delivery includes plug M12 x 1 (order no.: 5004109).

Performance Curves

The flow curve diagram shows the flow versus pressure drop curves for all spool types. The relevant curve number for each spool type, operating position and flow direction is given in the table below.

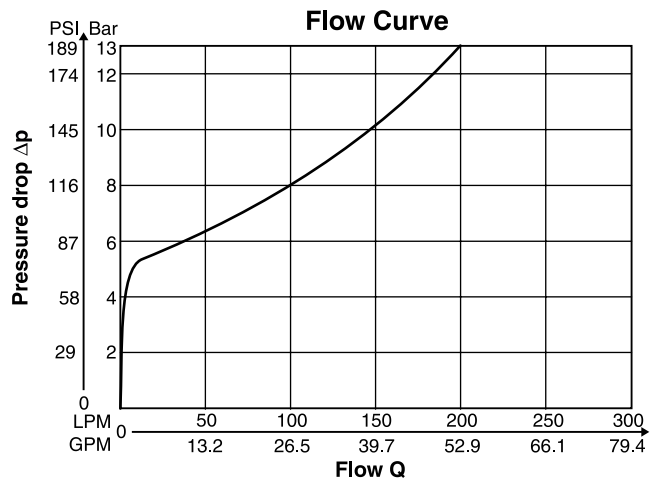


All characteristic curves measured with HLP46 at 50°C.

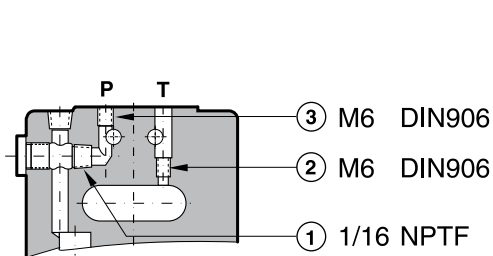
Spool Code	Curve Number				
	P-A	P-B	P-T	A-T	B-T
001	1	1	–	4	5
002	1	2	6	4	6
003	1	2	–	5	6
004	1	1	–	5	5
005	2	2	–	3	5
006	1	2	–	3	6
007	1	1	6	4	5
009	2	9	8	7	10
011	1	1	–	4	5
014	1	1	6	4	5
015	1	2	–	4	6
016	2	2	–	3	5
020	3	5	–	3	5
021	2	8	–	2	–
022	8	2	–	–	3
026	3	5	–	–	–
030	2	3	–	6	7
054	2	3	–	6	7

Integral Check Valve in the P port

Mounting an integral check valve in the P port is necessary to build up pilot pressure for valves with P to T connection and internal pilot oil supply. The pressure difference at the integral check valve (see performance curves) is to be added to all flow curves of the P-port of the main valve.

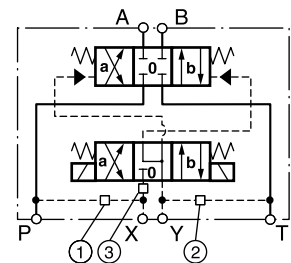


Pilot Oil Inlet (Supply) and Outlet (Drain)



○ open, ● closed

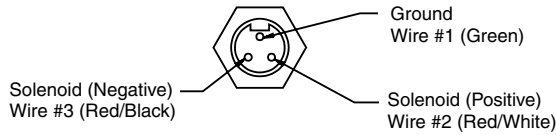
Pilot Oil		1	2	3
Inlet	Outlet			
internal	external	○	●	Orifice Ø1.5
external	external	●	●	Orifice Ø1.5
internal	internal	○	○	Orifice Ø1.5
external	internal	●	○	Orifice Ø1.5



All orifice sizes for standard valves

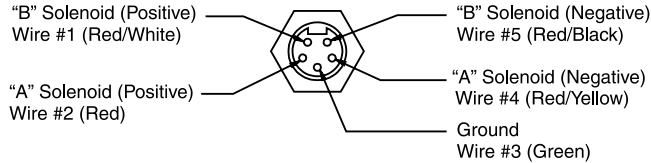
Manaplug (Options 6, 56, 1A & 1C)

- Interface – Brad Harrison Plug
- 3-Pin for Single Solenoid
- 5-Pin for Double Solenoid



3-Pin Manaplug (Mini) with Lights

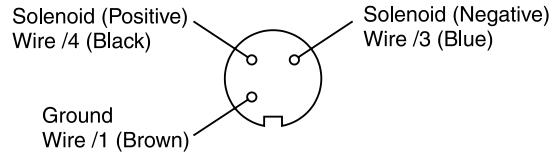
Single Solenoid Valves – Installed Opposite Side of Solenoid



5-Pin Manaplug (Mini) with Lights

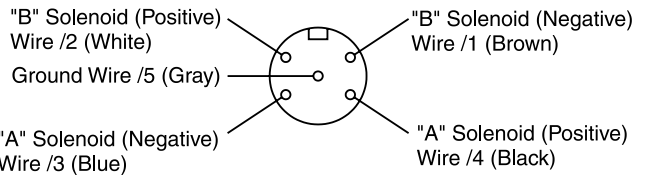
Single Solenoid Valves – Installed Opposite Side of Solenoid
Double Solenoid Valves – Installed Over "A" Solenoid
("A" and "B" Solenoids Reversed for #8 and #9 Spools)

Micro Connector Options (7A, 7B, 1B & 1D)



3-Pin Manaplug (Micro) with Lights

Single Solenoid Valves – Installed Opposite Side of Solenoid



5-Pin Manaplug (Micro) with Lights

Single Solenoid Valves – Installed Opposite Side of Solenoid
Double Solenoid Valves – Installed Over "A" Solenoid
("A" and "B" Solenoids Reversed for #8 and #9 Spools)

Pins are as seen on valve (male pin connectors)

Manaplug – Electrical Mini Plug

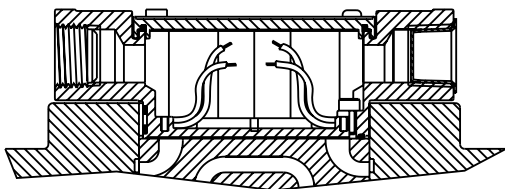
- EP336-30** 3 Pin Plug
- EP316-30** 5 Pin Plug (Double Solenoid)
- EP31A-30** 5 Pin Plug (Single Solenoid)

Manaplug – Electrical Micro Plug

- EP337-30** 3 Pin Plug
- EP317-30** 5 Pin Plug (Double Solenoid)
- EP31B-30** 5 Pin Plug (Single Solenoid)

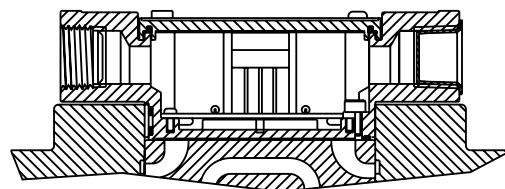
Conduit Box Option C

- No Wiring Options Available

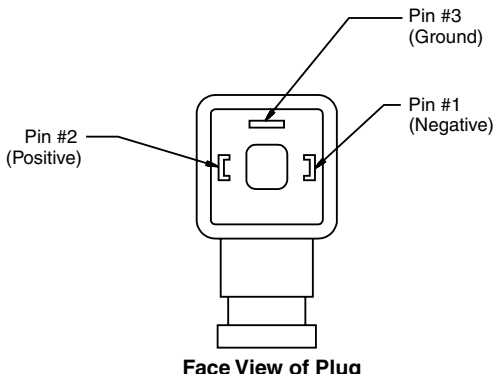


Signal Lights (Option 5) — Plug-in Only

- LED Interface
- Meets Nema 4/IP67

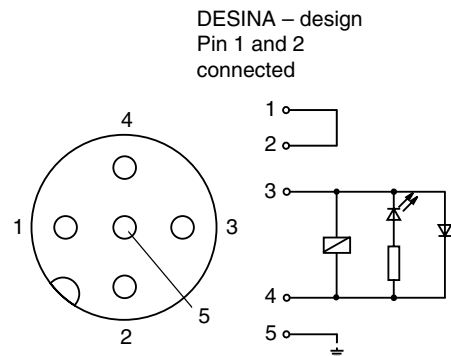


**Hirschmann Plug with Lights (Option P5)
ISO 4400/DIN 43650 Form "A"**



**DESINA Connector (Option D)
M12 pin assignment
Standard**

- 1 = Not used
- 2 = Not used
- 3 = 0V
- 4 = Signal (24 V)
- 5 = Earth Ground



Pins are as seen on valve (male pin connectors)

General Description

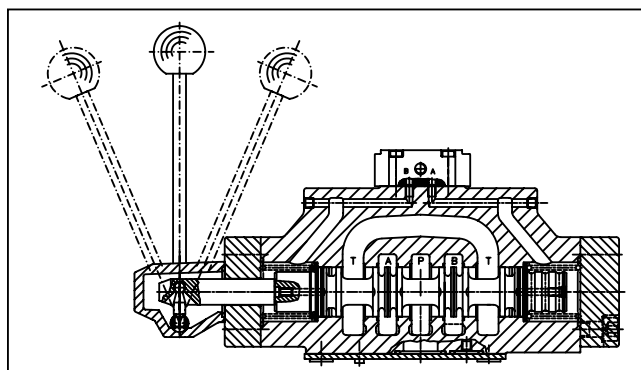
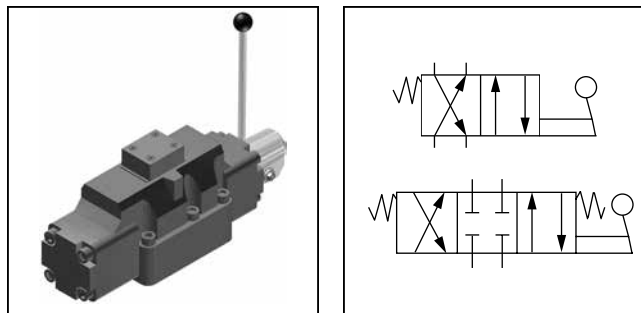
A

Series D4L valves are 5 chamber, directional control valves and are available in 2 or 3-position styles. They are operated by a hand lever which is directly connected to the spool.

The hand lever can be located either on the A or B side. Spring offset and detent designs are available.

Features

- Low force required to shift spool.
- Hardened spools provide long life.
- Low pressure drop design.



Specifications

General		
Design		Directional spool valve
Actuation		Lever
Size		NG16
Mounting interface		DIN 24340 A16, ISO 4401, NFFA D07, CETOP RP 121-H
Mounting Position		Unrestricted, preferably horizontal
Ambient Temperature	[°C]	-25...+50; (-13°F...+122°F)
Hydraulic		
Maximum Operating Pressure		External Drain: P, A B, T 350 Bar (5075 PSI); X, Y 10 Bar (145 PSI) Internal Drain: P, A B 350 Bar (5075 PSI); T, X, Y 10 Bar (145 PSI)
Fluid		Hydraulic oil in accordance with DIN 51524 / 51525
Fluid Temperature	[°C]	-25 ... +70; (-13°F...+158°F)
Viscosity Permitted	[cSt] / [mm²/s]	2.8...400 (13...1854 SSU)
Recommended	[cSt] / [mm²/s]	30...80 (139...371 SSU)
Filtration		ISO 4406 (1999); 18/16/13 (meet NAS 1638: 7)
Maximum Flow		300 LPM (79.4 GPM)
Leakage at 350 Bar (per flow path)	[ml/min]	up to 200 (0.05 GPM) (depending on spool)

D
 Directional Control Valve

4
 Basic Valve
 NFPA D07,
 CETOP 7
 DIN NG16

Actuator

Spool

Style

Pilot
 Supply and Drain

Seal

Design Series

NOTE:
 Not required when ordering.

Code	Actuation
L	Lever Side B
LB	Lever Side A

Code	Description
N	Nitrile
V	Fluorocarbon

Code	Description
2*	External Pilot External Drain
5**	External Pilot Internal Drain

* Pressure T-port > 10 bar
 ** Pressure T-port < 10 bar

3 Position Spools	
Code	Spool Type
	a 0 b
1	
2	
3	
4	
6	
7	
9	
11	
14	
15	

2 Position Spools	
Code	Spool Type
	a b
20	
30	

3 Position Spools		
Code	All 3 Position Spools	
C		3 positions. Spring offset in position "0". Operated in position "a" or "b".
	Standard	Spool Type 9
E	 Operated in position "a".	 Operated in position "b".
F	 Operated in position "0".	 Operated in position "0".
K	 Operated in position "b".	 Operated in position "a".
M	 Operated in position "0".	 Operated in position "0".
N	 No center in offset position.	 No center in offset position.
R	 No center in offset position.	 No center in offset position.
S	 No center in offset position.	 No center in offset position.

2 Position Spools		
Code	Spool Position	
B		Spring offset in position "b". Operated in position "a".
D		Detent, operated in position "a" or "b". No center or offset position.
H		Spring offset in position "a". Operated in position "b".

Weight: 9.0 kg (19.8 lbs.)

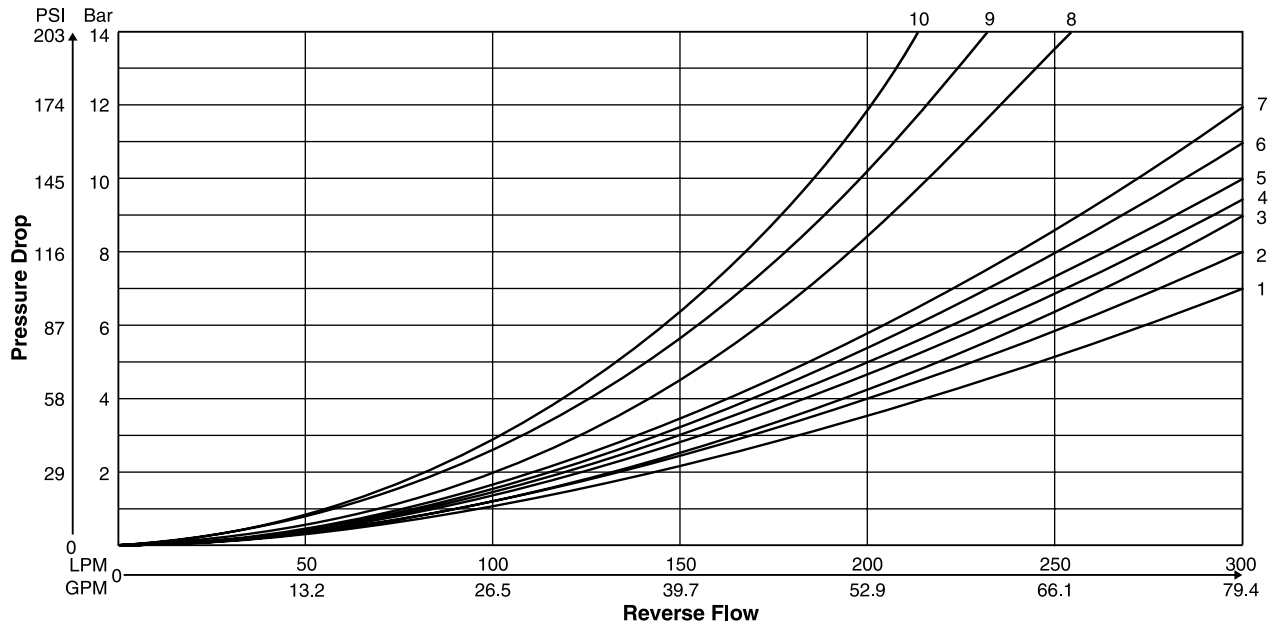
Further spool types on request.

The flow curve diagram shows the flow versus pressure drop curves for all spool types. The relevant curve number for each spool type, operating position and flow direction is given in the table below.



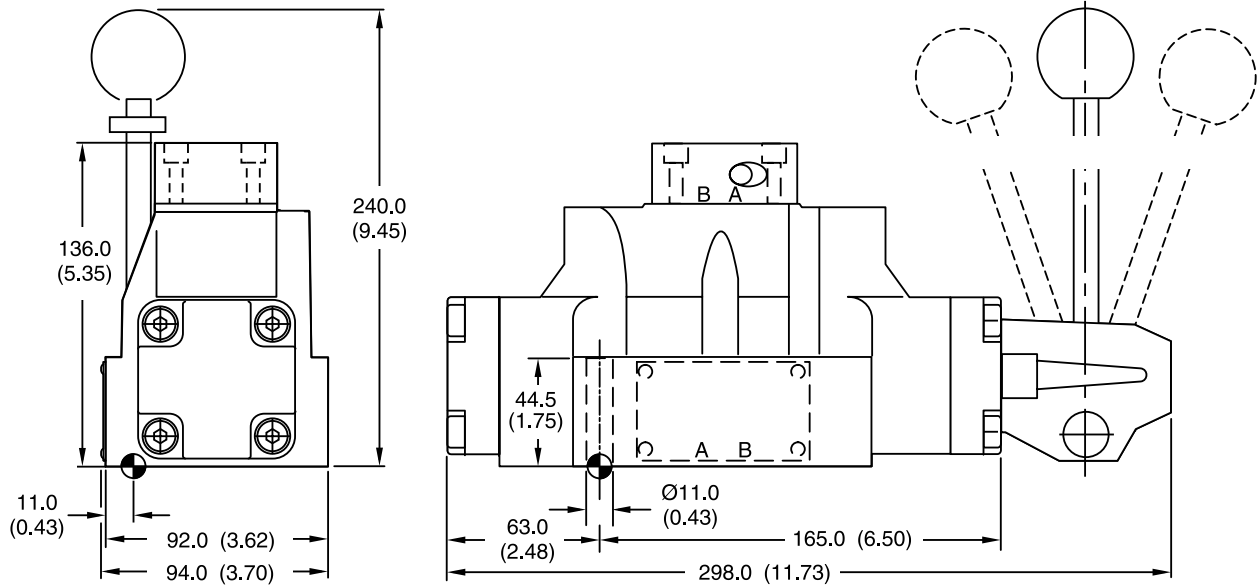
Spool Code	Curve Number				
	P-A	P-B	P-T	A-T	B-T
1	1	1	–	4	5
2	1	2	6	4	6
3	1	2	–	5	6
4	1	1	–	5	5
6	1	2	–	3	6
7	1	1	6	4	5
9	2	9	8	7	10
11	1	1	–	4	5
14	1	1	6	5	4
15	2	1	–	6	5
20	3	5	–	3	5
30	2	3	–	6	7

All characteristic curves measured with HLP46 at 50°C.

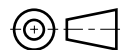
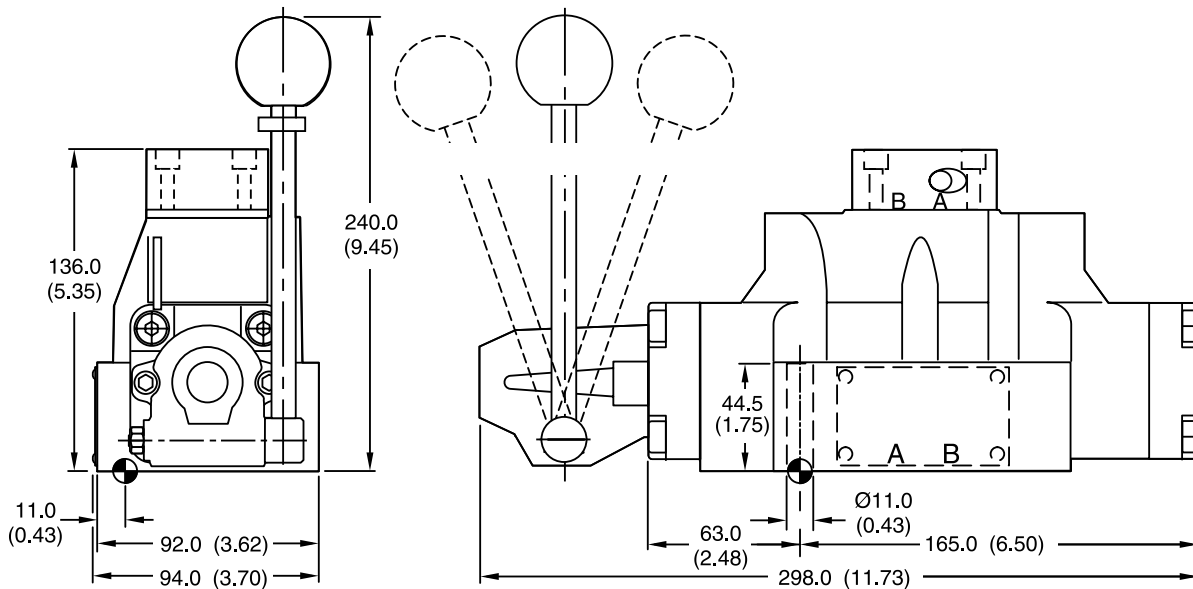


Inch equivalents for millimeter dimensions are shown in (**)

D4L



D4LB



Surface Finish	Kit			Seal Kit
$\sqrt{R_{max} 6.3}$ $\square 0.01/100$	BK320	4x M10x60 2x M6x55 DIN 912 12.9	63 Nm (46.5 lb.-ft.) 13.2 Nm (9.7 lb.-ft.) ±15%	Nitrile: SK-D4LN60 Fluorocarbon: SK-D4LV60

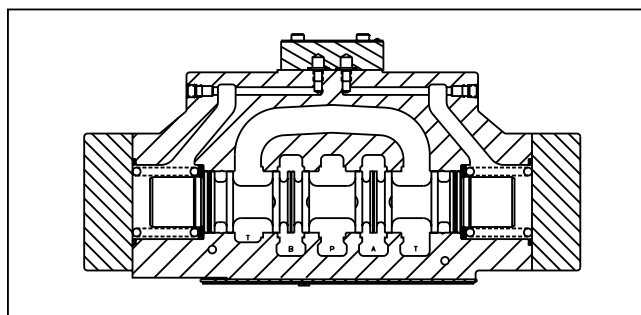
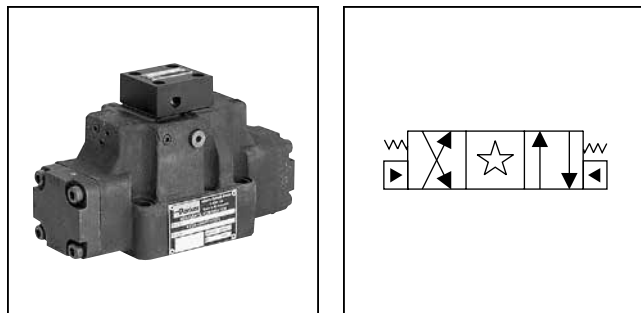
General Description

A

Series D4P directional control valves are 5-chamber pilot operated valves. They are available in 2 or 3-position styles. These manifold mounted valves conform to NFPA's D07, CETOP 7 and NG16.

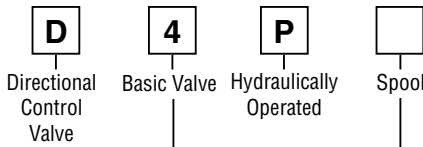
Features

- Low pressure drop design.
- Hardened spools for long life.

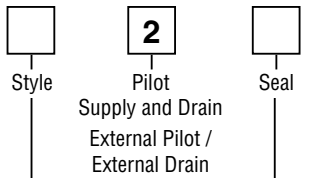


Specifications

General		
Design		Directional spool valve
Actuation		Hydraulic
Size		NG16
Mounting interface		DIN 24340 A16, ISO 4401, NFPA D07, CETOP RP 121-H
Mounting Position		Unrestricted, preferably horizontal
Ambient Temperature	[°C]	-25...+50 (-13°F...+122°F)
MTTF_D value		150 years
Hydraulic		
Maximum Operating Pressure		External Drain: P, A B, T 350 Bar (5075 PSI); X, Y 350 Bar (5075 PSI)
Fluid		Hydraulic oil in accordance with DIN 51524 / 51525
Fluid Temperature	[°C]	-25 ... +70 (-13°F...+158°F)
Viscosity Permitted	[cSt] / [mm ² /s]	2.8...400 (13...1850 SSU)
Recommended	[cSt] / [mm ² /s]	30...80 (139...371 SSU)
Filtration		ISO 4406 (1999); 18/16/13 (meet NAS 1638: 7)
Maximum Flow		300 LPM (79.4 GPM)
Leakage at 350 Bar (per flow path)	[ml/min]	up to 200 (0.05 GPM) (depending on spool)
Pilot Supply Pressure	Minimum	5 Bar (73 PSI)
	Maximum	350 Bar (5075 PSI)
Static / Dynamic		
Step Response		The response times depend on the pilot oil pressure and on the speed of the increase/ decrease of the pilot pressure.



NFPA D07,
 CETOP 7
 DIN NG16



Code	Description
N	Nitrile
V	Fluorocarbon

Code	Description	Code	Description
Omit	Standard Valve	9	Stroke Adjust A End
7	Pilot Choke, Meter-Out	60	Pilot Choke, Meter-In
8	Stroke adjust B End	89	Stroke Adjust A and B Ends

Design Series
 NOTE:
 Not required when ordering.

3 Position Spools	
Code	Spool Type
	a 0 b
1	
2	
3	
4	
5	
6	
7	
9	
11	
14	
15	
16	
21	
22	
54	
81	
82	

2 Position Spools	
Code	Spool Type
	a b
20	
26	
30	

3 Position Spools		
Code	All 3 Position Spools	
C		3 positions. Spring offset in position "0". Operated in position "a" or "b".
	Standard	Spool Type 9
E		2 positions. Spring offset in position "0".
F		2 positions. Operated in position "0".
K		2 positions. Spring offset in position "0".
M		2 positions. Operated in position "0".
R		2 positions, detent. Operated in position "0" or "b".
S		2 positions, detent. Operated in position "0" or "a". No center in offset position.

2 Position Spools		
Code	Spool Position	
B		Spring offset in position "b". Operated in position "a".
D		Detent, operated in position "a" or "b". No center or offset position.
H		Spring offset in position "a". Operated in position "b".

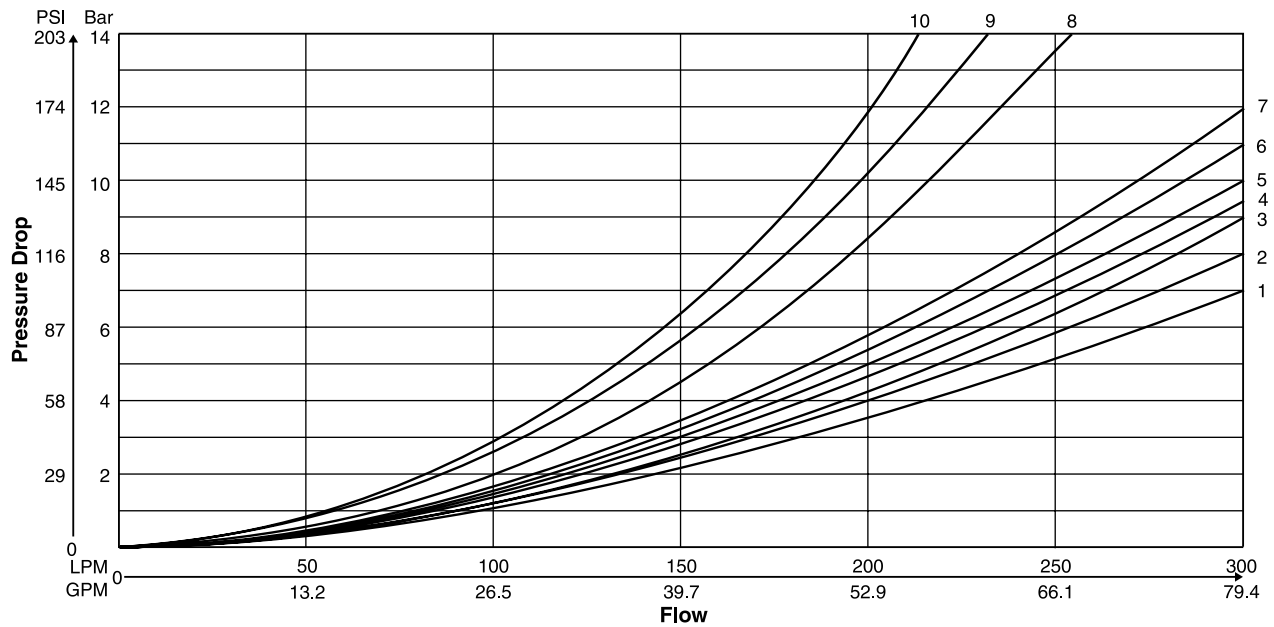
Weight: 9.0 kg (19.8 lbs.)

Further spool types and position control on request.

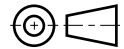
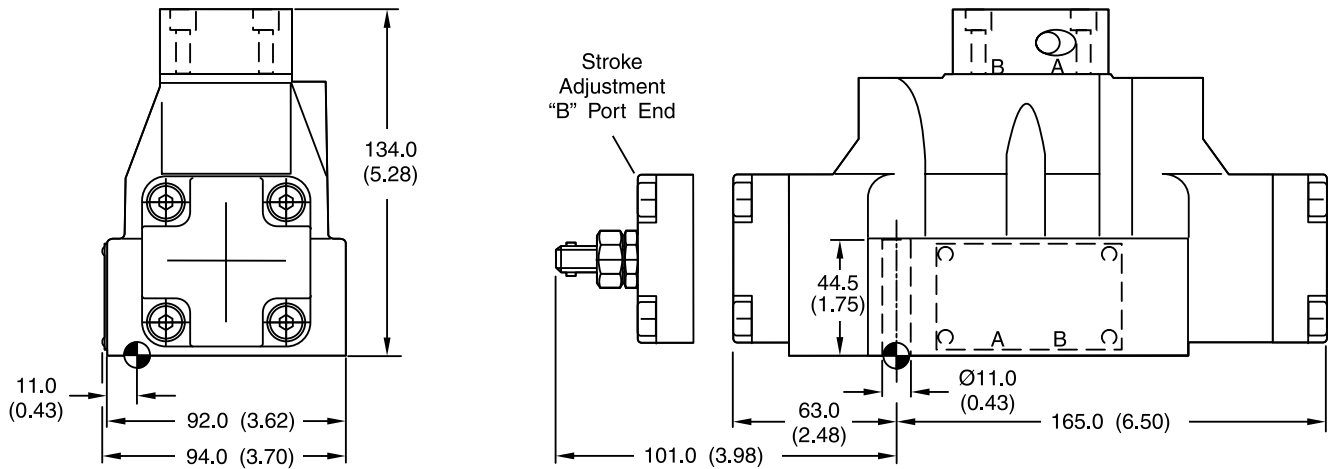
The flow curve diagram shows the flow versus pressure drop curves for all spool types. The relevant curve number for each spool type, operating position and flow direction is given in the table below.



Spool Code	Curve Number				
	P-A	P-B	P-T	A-T	B-T
1	1	1	–	4	5
2	1	2	6	4	6
3	1	2	–	5	6
4	1	1	–	5	5
5	2	2	–	3	5
6	1	2	–	3	6
7	1	1	6	4	5
9	2	9	8	7	10
11	1	1	–	4	5
14	1	1	6	4	5
15	1	2	–	4	6
16	2	2	–	3	5
20	3	5	–	3	5
21	2	8	–	2	–
22	8	2	–	–	3
26	3	5	–	–	–
30	2	3	–	6	7
54	2	3	–	6	7



Inch equivalents for millimeter dimensions are shown in (**)



Surface Finish	Kit			Seal Kit
	BK320	4x M10x60 2x M6x55 DIN 912 12.9	63 Nm (46.5 lb.-ft.) 13.2 Nm (9.7 lb.-ft.) ±15%	Nitrile: SK-D41VW-N-91 Fluorocarbon: SK-D41VW-V-91

A

FOR MAXIMUM VALVE RELIABILITY, ADHERE TO THE FOLLOWING INSTALLATION INFORMATION.

The following is important installation information which applies to all directional control valves described in this catalog.

Mounting Position

Detent – Horizontal

Spring Offset – Unrestricted

Spring Centered – Unrestricted

Fluid Recommendations

Premium quality hydraulic oil with a viscosity range between 32-54 cSt. (150-250 SSU) At 38°C (100°F) is recommended. The absolute operating viscosity range is from 16-220 cSt. (80-1000 SSU). Oil should have maximum anti-wear properties and rust and oxidation treatment.

Fluids and Seals

Valves using synthetic, fire-resistant fluids require special seals. When phosphate esters or its blends are used, FLUOROCARBON seals are required. Water-glycol, water-in-oil emulsions and petroleum oil may be used with STANDARD seals.

Filtration

For maximum valve and system component life, the system should be protected from contamination at a level not to exceed 125 particles greater than 10 microns per milliliter of fluid (SAE class 4/ISO 16/13).

Silting

Silting can cause any sliding spool valve to stick and not spring return if held under pressure for long periods of time. The valve should be cycled periodically to prevent sticking.

Special Installations

Consult your Parker representative for any application requiring the following:

- Pressure above rating.
- Fluid other than those specified.
- Oil temperature above 71.1°C (160°F).
- Flow path other than normal.

Mounting Patterns

Series	NFPA	CETOP
D41V	D07	7

Torque Specifications

The recommended torque values for the bolts which mount the valve to the manifold or subplate are as follows:

63 Nm (46.5 ft-lbs) M10

13.2 Nm (9.7 ft-lbs) M6 1/4-20.

Tank and Drain Line Surges

If several valves are piped with a common tank or drain line, flow surges in the line may cause an unexpected spool shift. Detent style valves are most susceptible to this. Separate tank and drain lines should be piped in installations where line surges are expected.

Electrical Characteristics (Detented Spool)

Only a momentary energizing of the solenoid is necessary to shift and hold a detented spool. Minimum duration of the signal is 0.1 seconds for DC voltages. For AC voltages the response time is 0.06 seconds. Spool position will be held provided the spool centerline is in a horizontal plane, and not shock or vibration is present to displace the spool.

Electrical Failure or Loss of Pilot Pressure

Should electric power fail or loss of pilot pressure occur, spring offset and spring centered valves will shift to the spring held position. Detented valves will stay in the last position held before power failure. If main flow does not fail or stop at the same time power fails, machine actuators may continue to function in an undesirable manner or sequence.

Pilot/Drain Characteristics

Pilot Pressure:

5 to 345 Bar (73 to 5000 PSI)

6.9 Bar (100 PSI) for spools 002, 007, 009 & 014

External: An oil source sufficient to maintain minimum pilot pressure must be connected to the “X” port of the main body. When using the external pilot variation, a 1/16” pipe plug must be present in the main body pilot passage. (For details see Technical pages.) This plug will be furnished in valves ordered with pilot code 2, 3, 5 or 6.

Internal: Flow is internally ported from the pressure port of the main valve body to the “P” port of the pilot valve. The pressure developed at the “P” port of the pilot valve must be 5.0 Bar (73 PSI) minimum at all times or 6.9 Bar (100 PSI) for spools 002, 007, 009 & 014.

Integral Check: Valves using internal pilot and internal drain with an open center spool (spools 2, 7 & 9) can be ordered with an integral check valve in the pressure port of the main valve codes 3 & 6. Pilot oil will be internally ported from the upstream side of this check to the “P” port of the pilot valve, ensuring sufficient pilot pressure. A 1/16” pipe plug will be present in the main body. The “X” port in the subplate must be plugged when using the integral check.

Pilot Valve Drain: Maximum pressure 102 Bar (1500 PSI) AC optional, 207 Bar (3000 PSI) DC standard.

External: When using an external drain, a M6 x 1 x 6mm long set screw must be present in the main body drain passage. (For details see Technical pages.) This plug will be furnished in valves ordered with drain code 1, 2 or 3.

Drain flow from the pilot valve is at the “Y” port of the main body and must be piped directly to tank. Maximum drain line pressure is 102 Bar (1500 PSI), AC optional, 207 Bar (3000 PSI) DC standard. Any drain line back pressure is additive to the pilot pressure requirement.

Internal: Drain flow from the pilot valve is internally connected to the main valve tank port. Tank and drain pressure are then identical so tank line pressure should not exceed 102 Bar (1500 PSI), AC optional, 207 Bar (3000 PSI) DC standard. Any tank line back pressure is also additive to the pilot pressure requirement. If flow surges (a cause of pressure surges) are anticipated in the tank line, an external drain variation is recommended. The “Y” port in the subplate must be plugged when using an internal drain.

D41V* Flow Paths

Style Code	Description	No Solenoid/Operator Energized	Solenoid/Operator A Energized	Solenoid/Operator B Energized
B	Spring Offset	P→A and B→T	—	P→B and A→T
C	Spring Centered	Centered	P→A and B→T	P→B and A→T
D	Detented	Last Position Held	P→A and B→T	P→B and A→T
E	Spring Centered	Centered	—	P→B and A→T
F	Spring Offset, Shift to Center	P→A and B→T	—	Centered
H	Spring Offset	P→B and A→T	P→A and B→T	—
K	Spring Centered	Centered	P→A and B→T	—
M	Spring Offset, Shift to Center	P→B and A→T	Centered	—



Tank and Drain Line Surges

If several valves are piped with a common tank or drain line, flow surges in the line may cause an unexpected spool shift. Detent style valves are most susceptible to this. Separate tank and drain lines should be piped in installations where line surges are expected.

Loss of Pilot Pressure

Should a loss of pilot pressure occur, spring offset and spring centered valves will shift to the spring held position. No spring valves will stay in the last position held. If main hydraulic flow does simultaneously stop, machine actuators may continue to function in an undesirable manner or sequence.

Pilot Drain Characteristics

Pilot Pressure:

5 to 350 Bar (73 to 5000 PSI)
 6.9 Bar (100 PSI) for spool configurations 2, 7, 9 & 14

Direct pilot operated valves use the “X” and “Y” ports to supply pilot oil directly to the ends of the spool, providing spool shifting force. A block mounted on top of the valve body is internally cored to make the necessary connections. Thus when “X” is pressurized, “Y” is used as a drain; and when “Y” is pressurized, “X” becomes the drain.

Any back pressure in these lines when they are being used as a drain is additive to the pilot pressure requirement.

Internal Drain: On spring offset models, only the “X” port is pressurized, as the spring returns the spool to its at rest position. On these models, “Y” may be internally drained through the main tank passage in the valve.

Flow Path/Pilot Pressure

Style Code	Description	“X” & “Y” De-Pressurized	“X” Port Pressurized	“Y” Port Pressurized	Special Notes	Recommended Control Valve For Pilot Oil
B	Two Position Spring Offset	P→A, B→T	P→A, B→T	P→B, A→T	“X” Port may be pressurized to assist spring in returning spool to offset position (ext. only)	
C	Three Position Spring Centered	Center	P→A, B→T	P→B, A→T	Flow paths will be reversed on valves with tandem center (9) spool	
H	Two-Position Spring Offset	P→B, A→T	P→A, B→T	P→B, A→T	“Y” Port may be pressurized to assist spring in returning spool to offset position	

Subplate Mounting
NFPA D07, CETOP 7 & NG16

Recommended Mounting Surface

Surface must be flat within .102 mm (0.0004 inch) T.I.R and smooth within 812.8 micro-meters (32 micro-inch). Torque bolts to 135.6 Nm (100 ft-lbs).

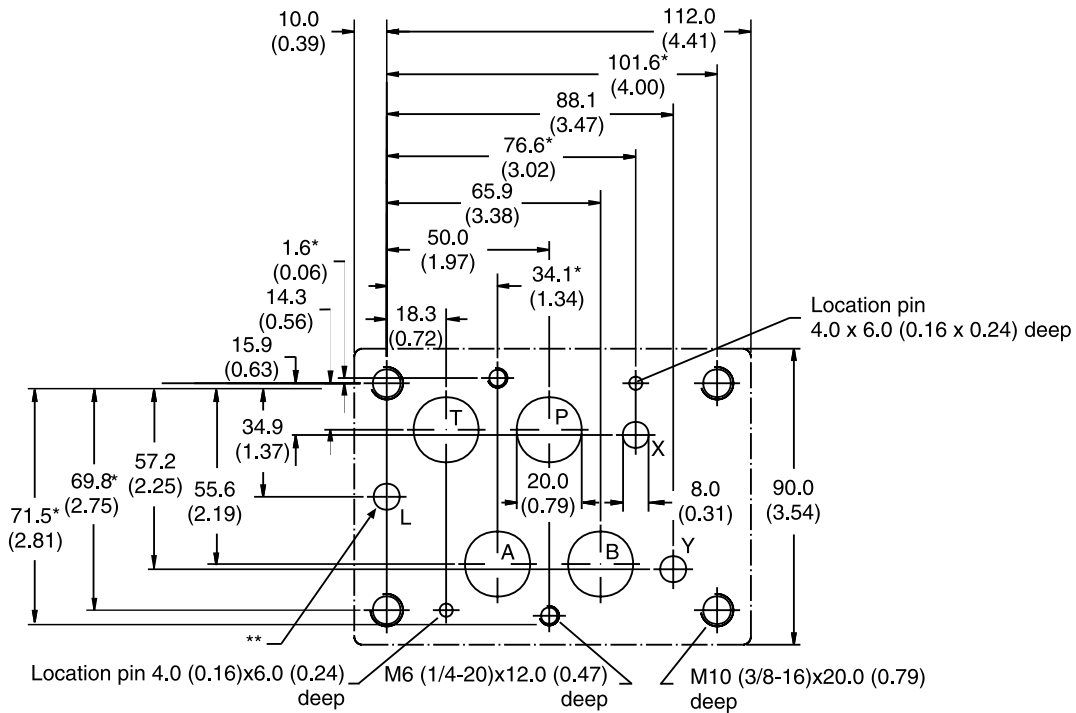
For maximum valve reliability, adhere to the following installation information.

Mounting Position

Valve Type	Mounting Position
Detent (Solenoid)	Horizontal
Spring Offset	Unrestricted
Spring Centered	Unrestricted

Mounting Pattern — NFPA D07, CETOP 7 & NG16

Inch equivalents for millimeter dimensions are shown in (**)



Note: With * marked dimensions ±0.1 mm. All other dimensions ±0.2mm.

Application

Series D6 hydraulic directional control valves are high performance, solenoid controlled, pilot operated, 2-stage, 4-way valves. They are available in 2 or 3-position styles. These valves are manifold mounted, and conform to NFPA's D08, CETOP 8 mounting patterns.

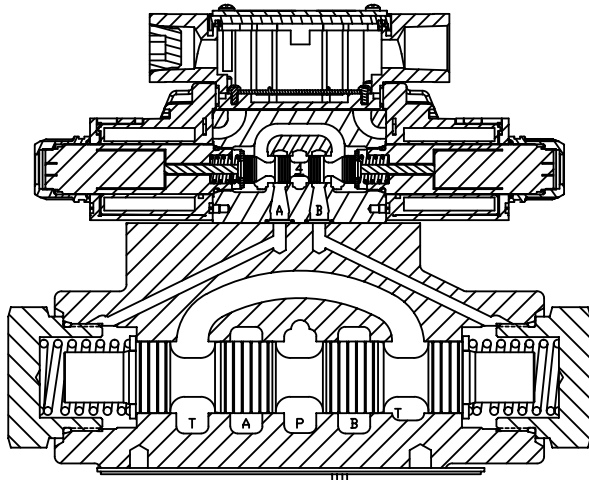
Operation

Series D61 directional valves consist of a 5-chamber style main body, a case hardened sliding spool, and a pilot valve or pilot operators (hydraulic or pneumatic).

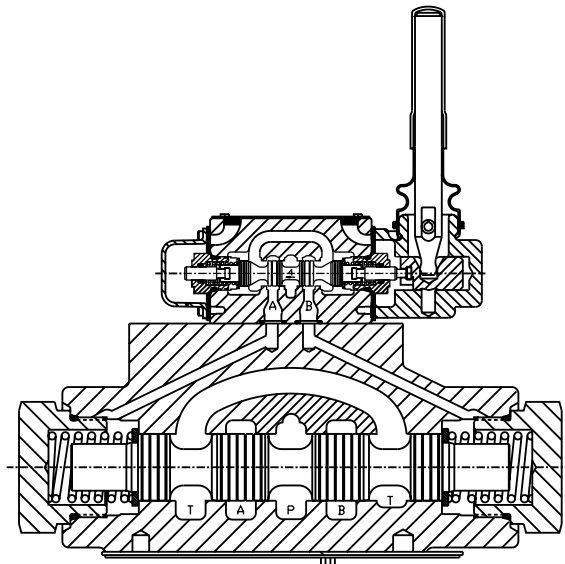
Features

- Easy access mounting bolts.
- 210 Bar (3000 PSI) pressure rating.
- Flows to 380 LPM (100 GPM) depending on spool.
- Choice of four operator styles.
- Rugged four land spools.
- Low pressure drop.
- Phosphate finish.

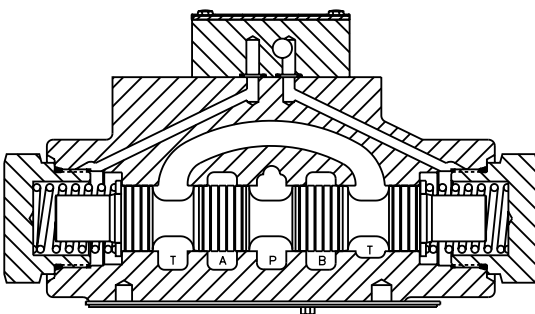
A



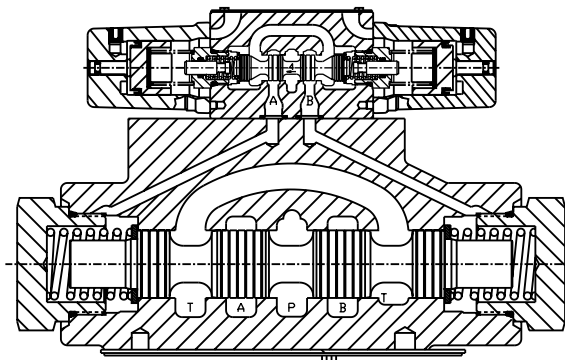
D61*W Solenoid Operated Plug-in Conduit Box



D61*L Lever Operated



D6*P Oil Pilot Operated



D61*A Air Pilot Operated

General Description

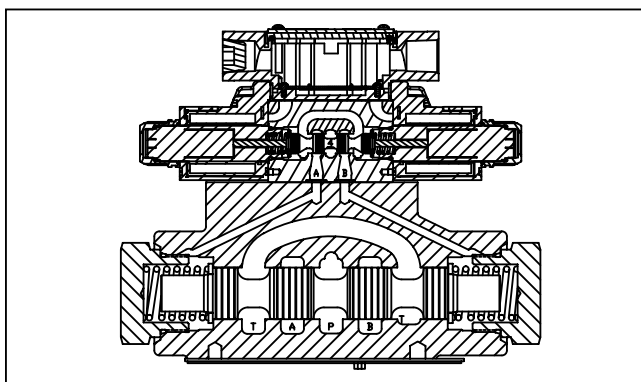
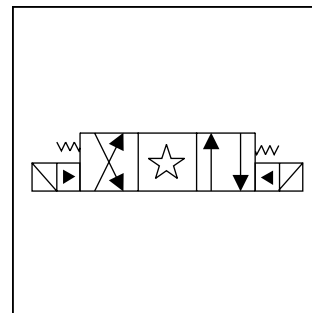
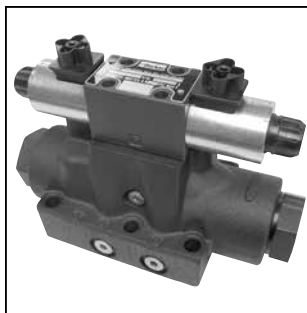
Series D61VW directional control valves are 5-chamber, pilot operated, solenoid controlled valves. They are available in 2 or 3-position styles. These valves are manifold or subplate mounted, and conform to NFPA's D08, CETOP 8 mounting patterns.

Operation

Series D61VW pilot operated valves are standard with low shock spools and pilot orifice. The orifice can be removed if a faster shift is required. It is recommended, however, that all systems operating above 138 Bar (2000 PSI) use the standard valve to avoid severe shock.

Features

- Low pressure drop design.
- Hardened spools provide long life.
- Fast response option available.
- Explosion proof availability.
- Wide variety of voltages and electrical connection options.
- No tools required for coil removal.



Specifications

Mounting Pattern	NFPA D08 CETOP 8, NG25
Maximum Operating Pressure	205 Bar (3000 PSI) Standard CSA 205 Bar (3000 PSI)
Maximum Tank Line Pressure	Internal Drain Model: 102 Bar (1500 PSI) AC Only 205 Bar (3000 PSI) DC Std./ AC Optional External Drain Model: 205 Bar (3000 PSI) CSA 102 Bar (1500 PSI)
Maximum Drain Pressure	102 Bar (1500 PSI) AC Standard 205 Bar (3000 PSI) DC Standard/ AC Optional CSA 102 Bar (1500 PSI)
Minimum Pilot Pressure	5.1 Bar* (75 PSI)
Maximum Pilot Pressure	205 Bar (3000 PSI) Standard CSA 205 Bar (3000 PSI)
Nominal Flow	189 LPM (50 GPM)
Maximum Flow	See Reference Data Chart

* 6.9 Bar (100 PSI) for spool configurations 002, 007, 008, 009 & 014.

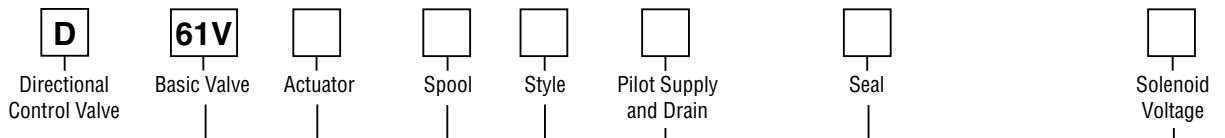
Response Time

Response times (milliseconds) are measured at 205 Bar (3000 PSI) and 195 LPM (50 GPM) with various pilot pressures as indicated.

Solenoid Type	Pilot Pressure	Pull-In		Drop-Out	
		Std	Fast	Std	Fast
DC	500	130	100	80	80
	1000	90	90	80	80
	2000	80	80	80	80
AC	500	80	40	72	72
	1000	40	40	72	72
	2000	30	30	72	72

Because of the high drain line pressure transients generated during shifting, use of the fast response option is not recommended for pilot pressures exceeding 138 Bar (2000 PSI).

A



**NFPA D08, CETOP 8,
 DIN NG25
 Low Flow, D03 Pilot**

Code	Description
W*	Solenoid, Wet Pin, Screw-in
HW*	Reversed Wiring

* Valve schematic symbols are per NFPA/ANSI standards, providing flow P to A when energizing solenoid A. Note operators reverse sides for #008 and #009 spools. See installation information for details. To configure per DIN standards (A coil over A port, B coil over B port) code valves as D61VHW***.

Code	Description
N	Nitrile
V	Fluorocarbon

Code	Description
1	Internal Pilot, External Drain
2	External Pilot, External Drain
3**	Internal Pilot w/Check, External Drain
4*	Internal Pilot, Internal Drain
5	External Pilot, Internal Drain
6**	Internal Pilot w/Check Internal Drain

* Not available with 002, 007, 008, 009 & 014 spools.
 ** #3 and #6 bodies cannot be converted to other styles. Other pilot versions cannot be converted to styles 3 and 6.

Code	Description
A*	24/50 VAC
D	120 VDC
G	198 VDC
J	24 VDC
K	12 VDC
N**	220/50 VAC
Q*	100/60 VAC
QD†	100 VAC/60 HZ 100 VAC/50 HZ
R	24/60 VAC
T	240/60 - 220/50 VAC
U	98 VDC
Y	120/60 - 110/50 VAC
Z	250 VDC

* High Watt only.
 ** Explosion Proof only.
 † Available in DIN only.

Code	Symbol	Code	Symbol
001		011	
002		012	
003		014	
004		015	
005		016	
006		021	
007		022	
008*			
009**			

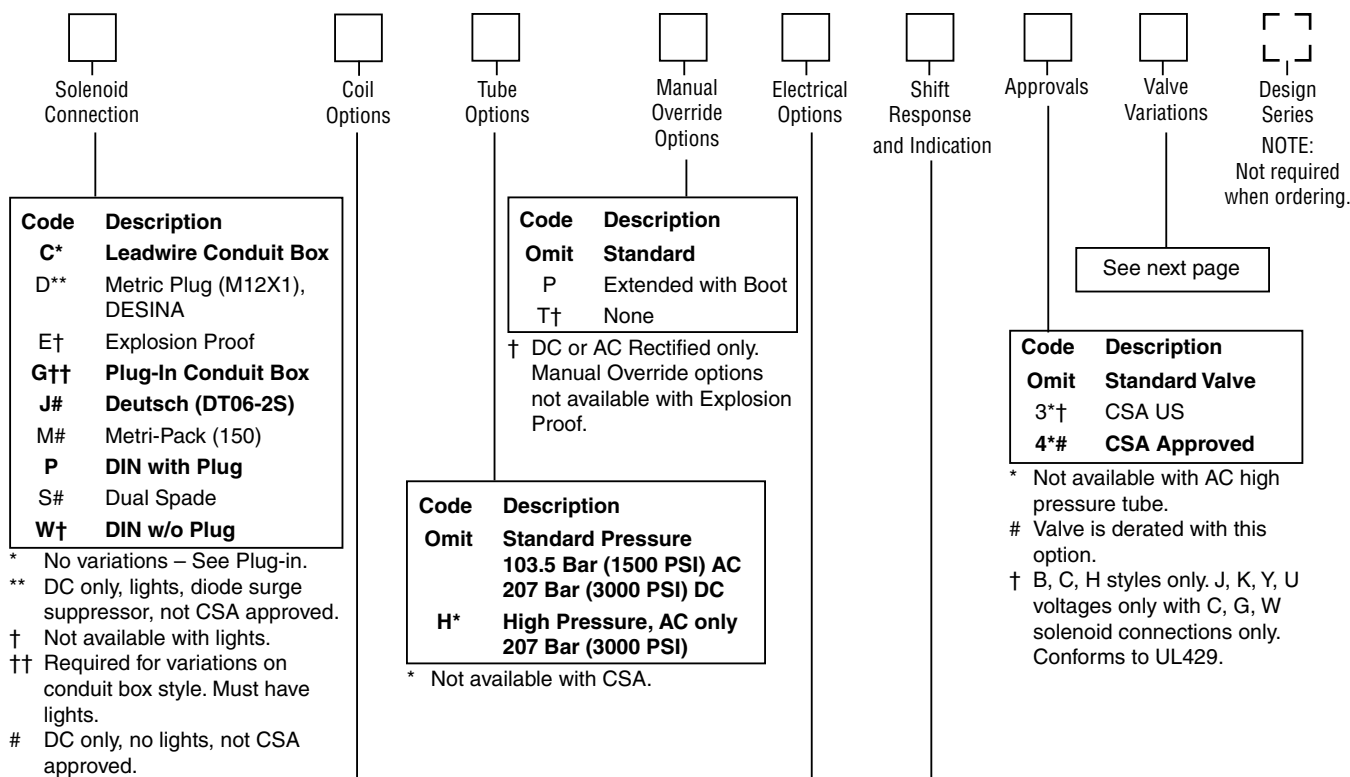
* 008 spool has closed crossover.
 ** 009 spool has open crossover.

Code	Description	Symbol
B*	Single solenoid, 2 position, spring offset. P to A and B to T in offset position.	
C	Double solenoid, 3 position, spring centered.	
D*	Double solenoid, 2 position, detent.	
E	Single solenoid, 2 position, spring centered. P to B and A to T when energized.	
F**	Single solenoid, 2 position, spring offset, energized to center. Position spool spacer on A side. P to A and B to T in spring offset position.	
H*	Single solenoid, 2 position, spring offset. P to B and A to T in offset position.	
K	Single solenoid, 2 position, spring centered. P to A and B to T when energized.	
M**	Single solenoid, 2 position, spring offset, energized to center position. Spool spacer on B side. P to B and A to T in spring offset position.	

* Available with 001, 002, 004, 011 and 014 spools only.
 ** High watt coil only.

Bold: Designates Tier I products and options.

Non-bold: Designates Tier II products and options. These products will have longer lead times.



Mounting Bolt Kits

UNC Bolt Kits for use with D6 and D8 Directional Control Valves & Sandwich Valves				
	Number of Sandwich Valves @ 2.75" (70mm) thickness			
	0	1	2	3
D6	BK227 2.50"	BK121 5.25"	BK122 8.00"	BK123 10.75"
D6 plus tapping plate	BK161 3.50"	BK170 6.25"	BK171 9.00"	BK172 11.75"
D8	BK228 3.00"	BK131 5.75"	BK132 8.50"	BK133 11.25"
D8 plus tapping plate	BK173 4.00"	BK174 6.75"	BK175 9.50"	BK114 12.125"

Note: All bolts are SAE grade 8, 1/2-13 UNC-3A thread, torque to 133 N.m. (100 ft.-lbs.)

Bold: Designates Tier I products and options.

Non-bold: Designates Tier II products and options. These products will have longer lead times.

Valve Variations

A

Code	Description
5*	Signal Lights – Standard Signal Lights – Hirsch. (DIN with plug)
7B**	Manaplug – Brad Harrison (12x1) Micro with lights
56**	Manaplug (Mini) with Lights
20	Fast Response
1C**	Manaplug (Mini) Single Sol. 5-pin, with Lights
1D**	Manaplug (Micro) Single Sol. 5-pin, with Lights
1G**	Manaplug (Mini) Single Sol. 5-pin, with Stroke Adjust 'A' & 'B' End and Lights
1H**	Manaplug (Micro) Single Sol. 5-pin, with Stroke Adjust 'A' & 'B' End and Lights
1M**	Manaplug Opposite Normal
1P	Painted Body
1R	Stroke Adjust 'A' & 'B' End with Pilot Choke Meter In
3A	Pilot Choke Meter Out
3B	Pilot Choke Meter In
3C	Pilot Pressure Reducer
3D	Stroke Adjust 'B' End
3E	Stroke Adjust 'A' End
3F	Stroke Adjust 'A' & 'B' End
3G*	Pilot Choke Meter Out with Lights
3H*	Pilot Choke Meter In with Lights
3J*	Pilot Pressure Reducer with Lights
3K	Pilot Choke Meter Out with Stroke Adjust 'A' & 'B' End
3L**	Pilot Choke Meter Out, Stroke Adjust 'A' & 'B' End with Lights and Manaplug — Brad Harrison Mini
3M	Pilot Choke Meter Out, Pilot Pressure Reducer, Stroke Adjust 'A' & 'B' End
3R	Pilot Choke Meter Out & Pilot Pressure Reducer
3S**	Lights, Mini Manaplug, Pilot Choke Meter Out
7Y**	M12x1 Manaplug (4-pin), Special Wiring, and Lights

* DESINA, plug-in conduit box, and DIN with plug styles only.

** Must have plug-in style conduit box.

Reference Data

Model	Spool Symbol	Maximum Flow, LPM (GPM) 207 Bar (3000 PSI) w/o Malfunction	Model	Spool Symbol	Maximum Flow, LPM (GPM) 207 Bar (3000 PSI) w/o Malfunction
D61V*001		390 (100)	D61V*008		312 (80)
D61V*002		312 (80)	D61V*009		312 (80)
D61V*003		390 (100)	D61V*011		390 (100)
D61V*004		390 (100)	D61V*012		137 (35)
D61V*005		390 (100)	D61V*014		195 (50)
D61V*006		390 (100)	D61V*015		390 (100)
D61V*007		195 (50)	D61V*016		390 (100)

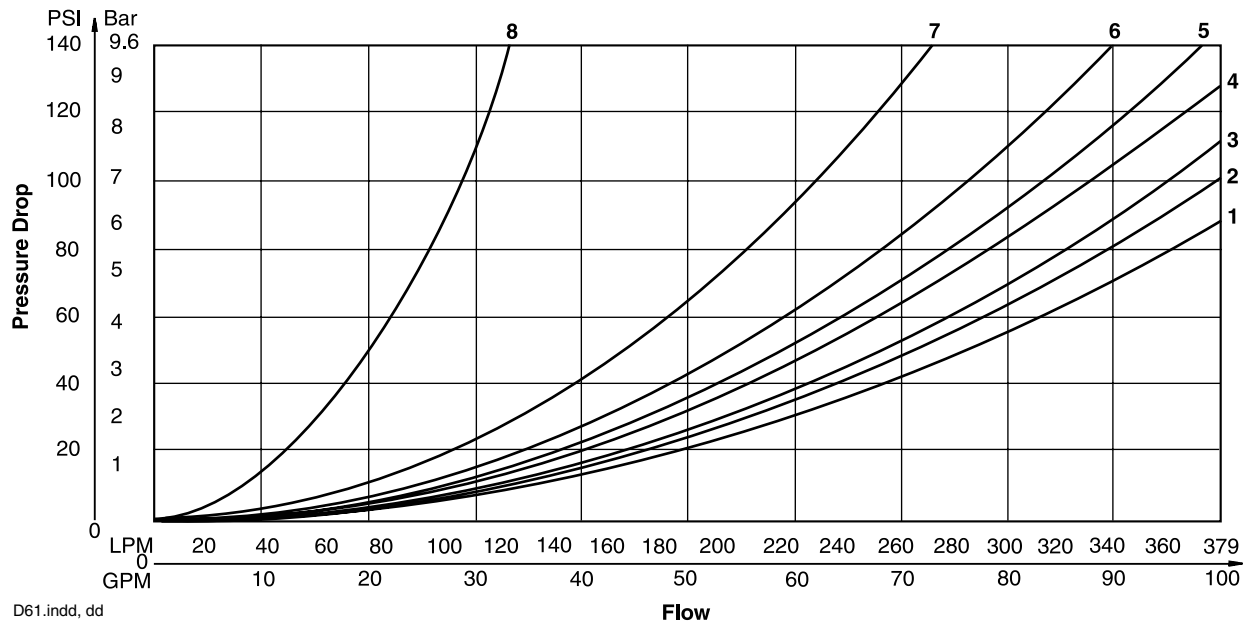
D61V* Series Pressure Drop Chart

The following chart provides the flow vs. pressure drop curve reference for the Series D61V valves by spool type.

VISCOSITY CORRECTION FACTOR							
Viscosity (SSU)	75	150	200	250	300	350	400
% of ΔP (Approx.)	93	111	119	126	132	137	141
Curves were generated using 100 SSU hydraulic oil. For any other viscosity, pressure drop will change as per chart.							

D61VW Pressure Drop Reference Chart -- Curve Number					
Spool No.	P-A	P-B	P-T	A-T	B-T
001	3	3	-	1	2
002	4	4	5	4	5
003	3	3	-	4	2
004	3	3	-	4	5
005	3	4	-	1	2
006	4	4	-	1	2
007	4	4	7	1	5
008/009	3	3	7	4	6
011	3	3	-	1	2
012	3	3	8	4	5
014	4	4	-	2	1
015	3	3	-	2	4
016	4	3	-	2	1

Performance Curves



D61.indd, dd

Solenoid Ratings

Insulation System	Class F
Allowable Deviation from rated voltage	-15% to +10% for DC and AC rectified coils -5% to +5% for AC Coils
Armature	Wet pin type
CSA File Number	LR60407
Environmental Capability	DC Solenoids meet NEMA 4 and IP67 when properly wired and installed. Contact HVD for AC coil applications.

Explosion Proof Solenoid Ratings*

U.L. & CSA (EU)	Class I, Div 1 & 2, Groups C & D Class II, Div 1 & 2, Groups E, F & G As defined by the N.E.C.
MSHA (EO)	Complies with 30CFR, Part 18
ATEX (ED)	Complies with ATEX requirements for: Exd, Group IIB; EN50014: 1999+ Amds. 1 & 2, EN50018: 2000
ATEX & CSA/US (ET)	Complies with ATEX EN60079-0, EN60079-1 Ex d IIC; CSA/US Ex d IIC, AEx d IIC for Class I, Zone 1, UL1203, UL1604, CSA E61241,1 Class II, Div 1

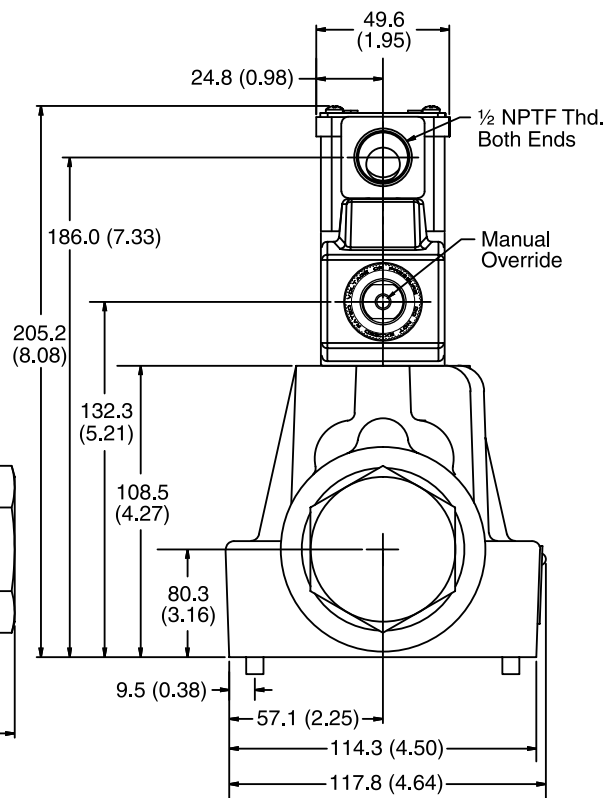
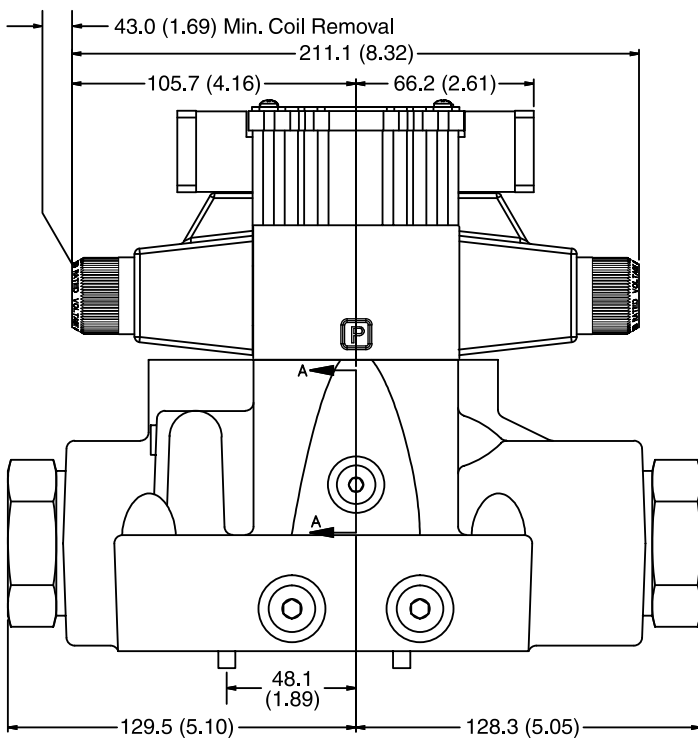
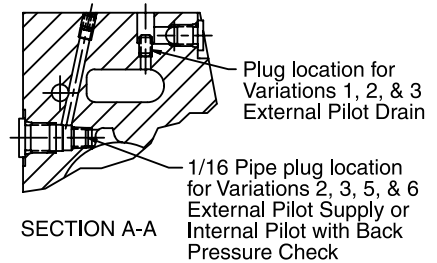
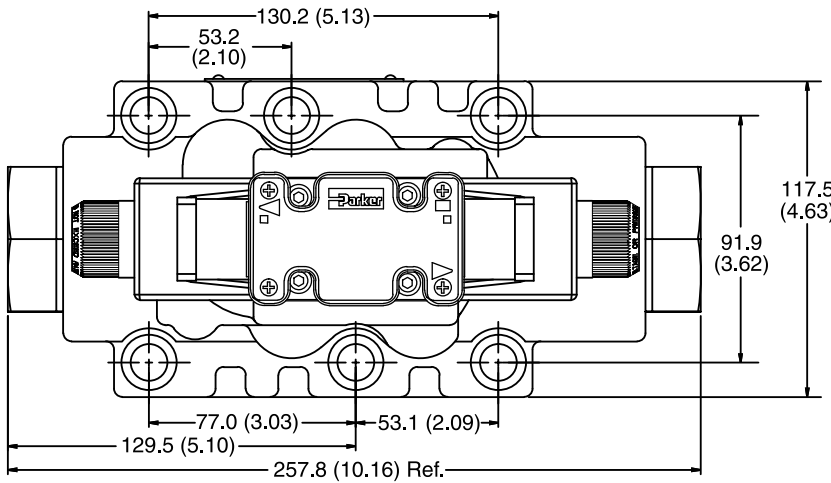
* Allowable Voltage Deviation ±10%.
 Note that Explosion Proof AC coils are single frequency only.

Code		Voltage	In Rush Amps Amperage	In Rush VA	Holding Amps @ 3MM	Watts	Resistance
Voltage Code	Power Code						
D	L	120 VDC	N/A	N/A	0.09 Amps	10 W	1584.00 ohms
D	Omit	120 VDC	N/A	N/A	0.26 Amps	30 W	528.00 ohms
G	Omit	198 VDC	N/A	N/A	0.15 Amps	30 W	1306.80 ohms
J	L	24 VDC	N/A	N/A	0.44 Amps	10 W	51.89 ohms
J	Omit	24 VDC	N/A	N/A	1.32 Amps	30 W	17.27 ohms
K	L	12 VDC	N/A	N/A	0.88 Amps	10 W	12.97 ohms
K	Omit	12 VDC	N/A	N/A	2.64 Amps	30 W	4.32 ohms
L	L	6 VDC	N/A	N/A	1.67 Amps	10 W	3.59 ohms
L	Omit	6 VDC	N/A	N/A	5.00 Amps	30 W	1.20 ohms
Q	Omit	100 VAC / 60 Hz	2.05 Amps	170 VA	0.77 Amps	30 W	19.24 ohms
QD	F	100 VAC / 60 Hz	1.35 Amps	135 VA	0.41 Amps	18 W	31.20 ohms
QD	F	100 VAC / 50 Hz	1.50 Amps	150 VA	0.57 Amps	24 W	31.20 ohms
R	F	24/60 VAC, Low Watt	6.67 Amps	160 VA	2.20 Amps	23 W	1.52 ohms
T	Omit	240/60 VAC	0.83 Amps	199 VA	0.30 Amps	30 W	120.40 ohms
T	Omit	220/50 VAC	0.87 Amps	191 VA	0.34 Amps	30 W	120.40 ohms
T	F	240/60 VAC, Low Watt	0.70 Amps	168 VA	0.22 Amps	21 W	145.00 ohms
T	F	220/50 VAC, Low Watt	0.75 Amps	165 VA	0.26 Amps	23 W	145.00 ohms
U	L	98 VDC	N/A	N/A	0.10 Amps	10 W	960.00 ohms
U	Omit	98 VDC	N/A	N/A	0.31 Amps	30W	288.00 ohms
Y	Omit	120/60 VAC	1.7 Amps	204 VA	0.60 Amps	30 W	28.20 ohms
Y	Omit	110/50 VAC	1.7 Amps	187 VA	0.68 Amps	30 W	28.20 ohms
Y	F	120/60 VAC, Low Watt	1.40 Amps	168 VA	0.42 Amps	21 W	36.50 ohms
Y	F	110/50 VAC, Low Watt	1.50 Amps	165 VA	0.50 Amps	23 W	36.50 ohms
Z	L	250 VDC	N/A	N/A	0.04 Amps	10 W	6875.00 ohms
Z	Omit	250 VDC	N/A	N/A	0.13 Amps	30 W	1889.64 ohms
Explosion Proof Solenoids							
R		24/60 VAC	7.63 Amps	183 VA	2.85 Amps	27 W	1.99 ohms
T		240/60 VAC	0.76 Amps	183 VA	0.29 Amps	27 W	1.34 ohms
N		220/50 VAC	0.77 Amps	169 VA	0.31 Amps	27 W	1.38 ohms
Y		120/60 VAC	1.60 Amps	192 VA	0.58 Amps	27 W	33.50 ohms
P		110/50 VAC	1.47 Amps	162 VA	0.57 Amps	27 W	34.70 ohms
K		12 VDC	N/A	N/A	2.75 Amps	33 W	4.36 ohms
J		24 VDC	N/A	N/A	1.38 Amps	33 W	17.33 ohms
"ET" Explosion Proof Solenoids							
K		12 VDC	N/A	N/A	1.00 Amps	12 W	12.00 ohms
J		24 VDC	N/A	N/A	1.00 Amps	13 W	44.30 ohms
Y		120/60-50 VAC	N/A	N/A	0.16 Amps	17 W	667.00 ohms

D61.indd, dd

Inch equivalents for millimeter dimensions are shown in (**)

Plug-in Conduit Box, Double AC Solenoid



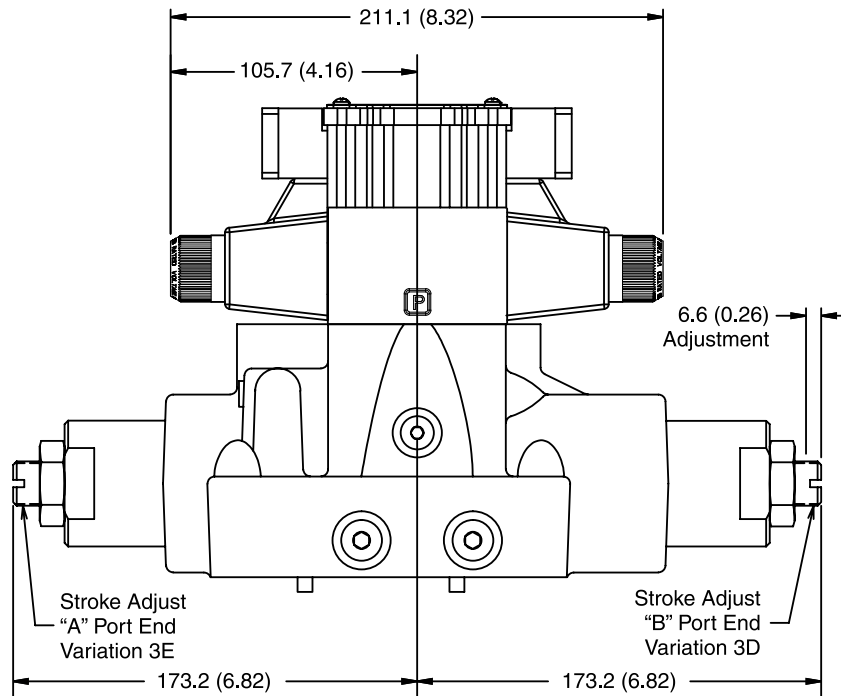
Note: 41.9mm (1.65") from bottom of bolt hole counterbore to bottom of valve.



Inch equivalents for millimeter dimensions are shown in (**)

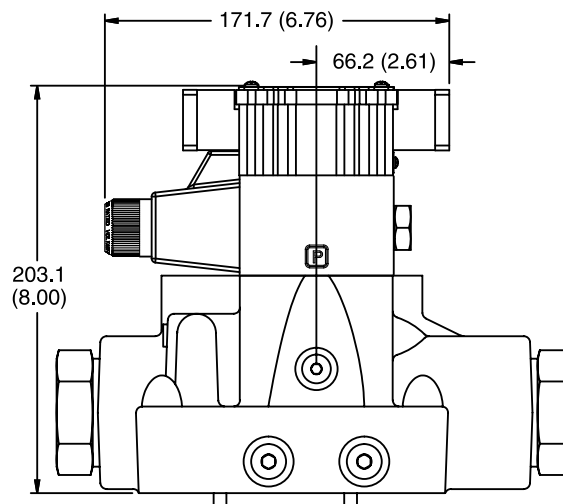
A

Plug-in Conduit Box and Stroke Adjust, Double AC Solenoid



Note: 41.9mm (1.65") from bottom of bolt hole counterbore to bottom of valve.

Plug-in Conduit Box, Single AC Solenoid

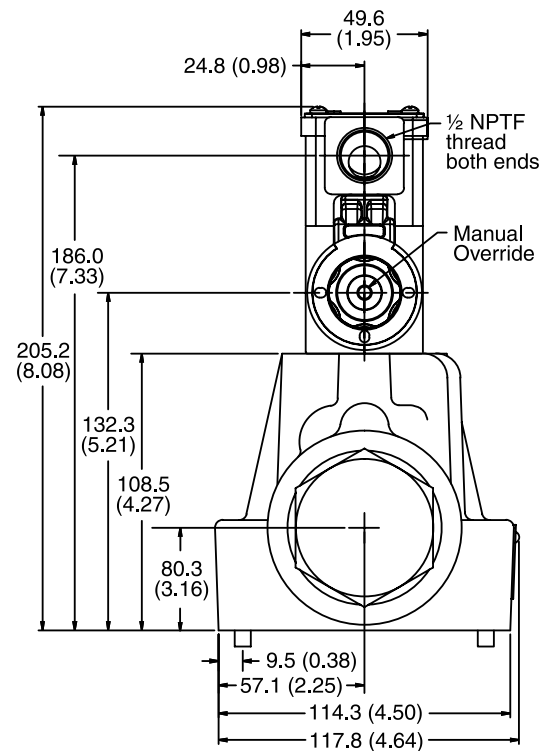
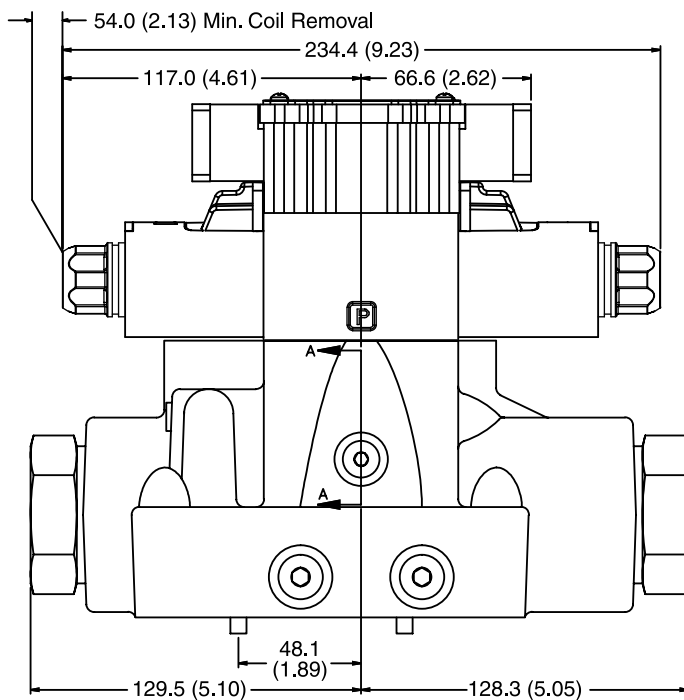
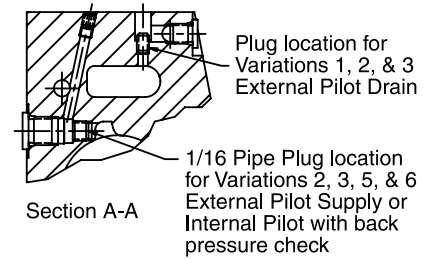
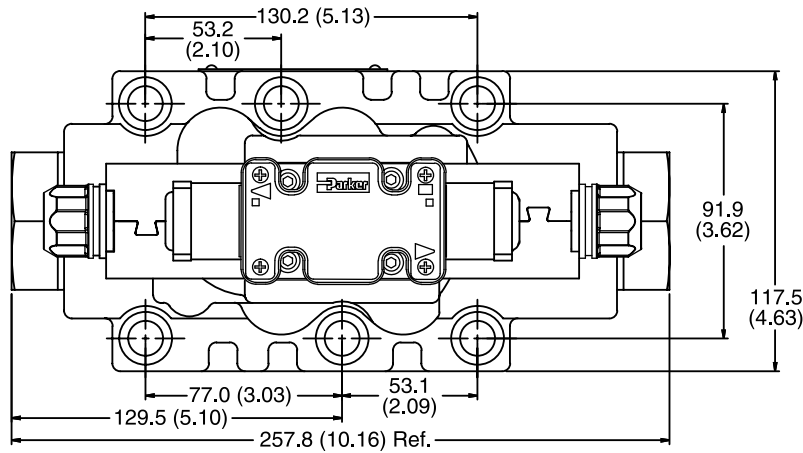


Note: 41.9mm (1.65") from bottom of bolt hole counterbore to bottom of valve.

Inch equivalents for millimeter dimensions are shown in (**)

Plug-in Conduit Box, Double DC Solenoid

A



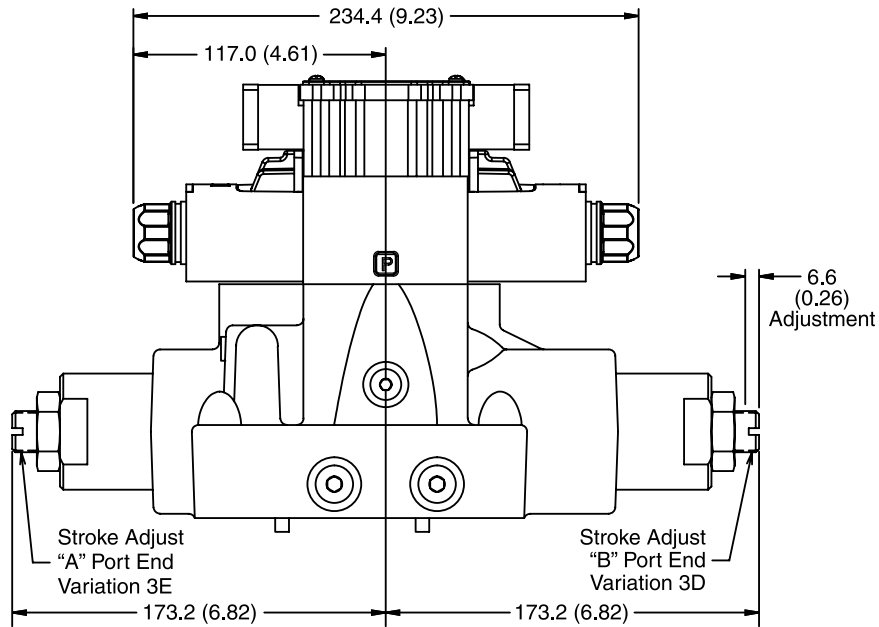
Note: 41.9mm (1.65") from bottom of bolt hole counterbore to bottom of valve.



Inch equivalents for millimeter dimensions are shown in (**)

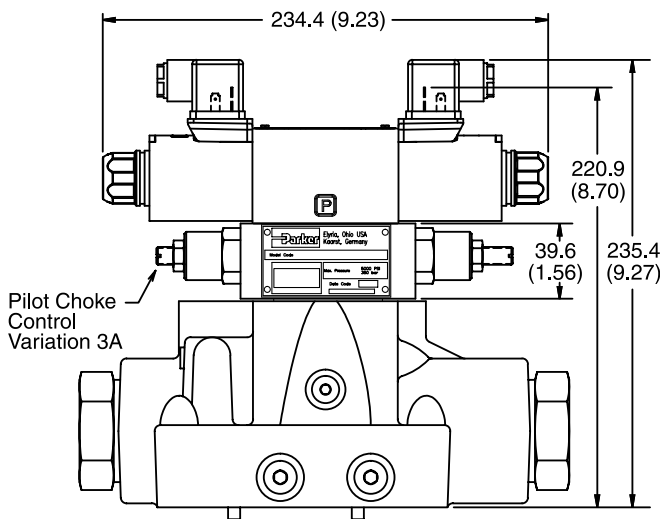
A

Plug-in Conduit Box and Stroke Adjust, Double DC Solenoid

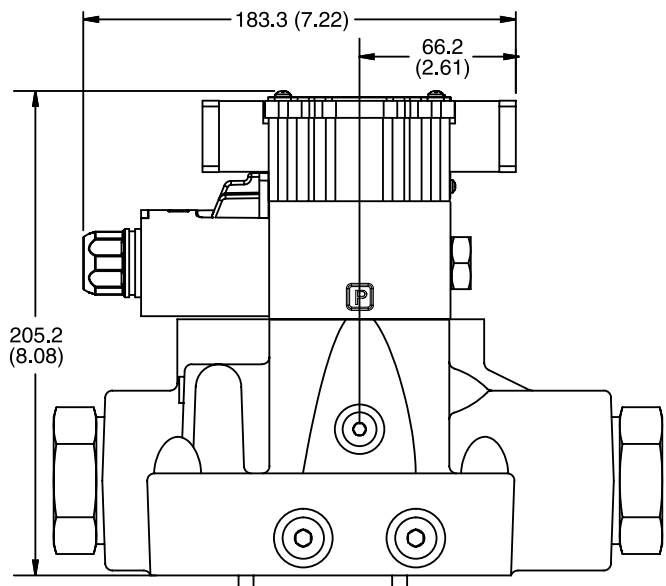


Note: 41.9mm (1.65") from bottom of bolt hole counterbore to bottom of valve.

Hirschmann and Pilot Choke Control, Double DC Solenoid

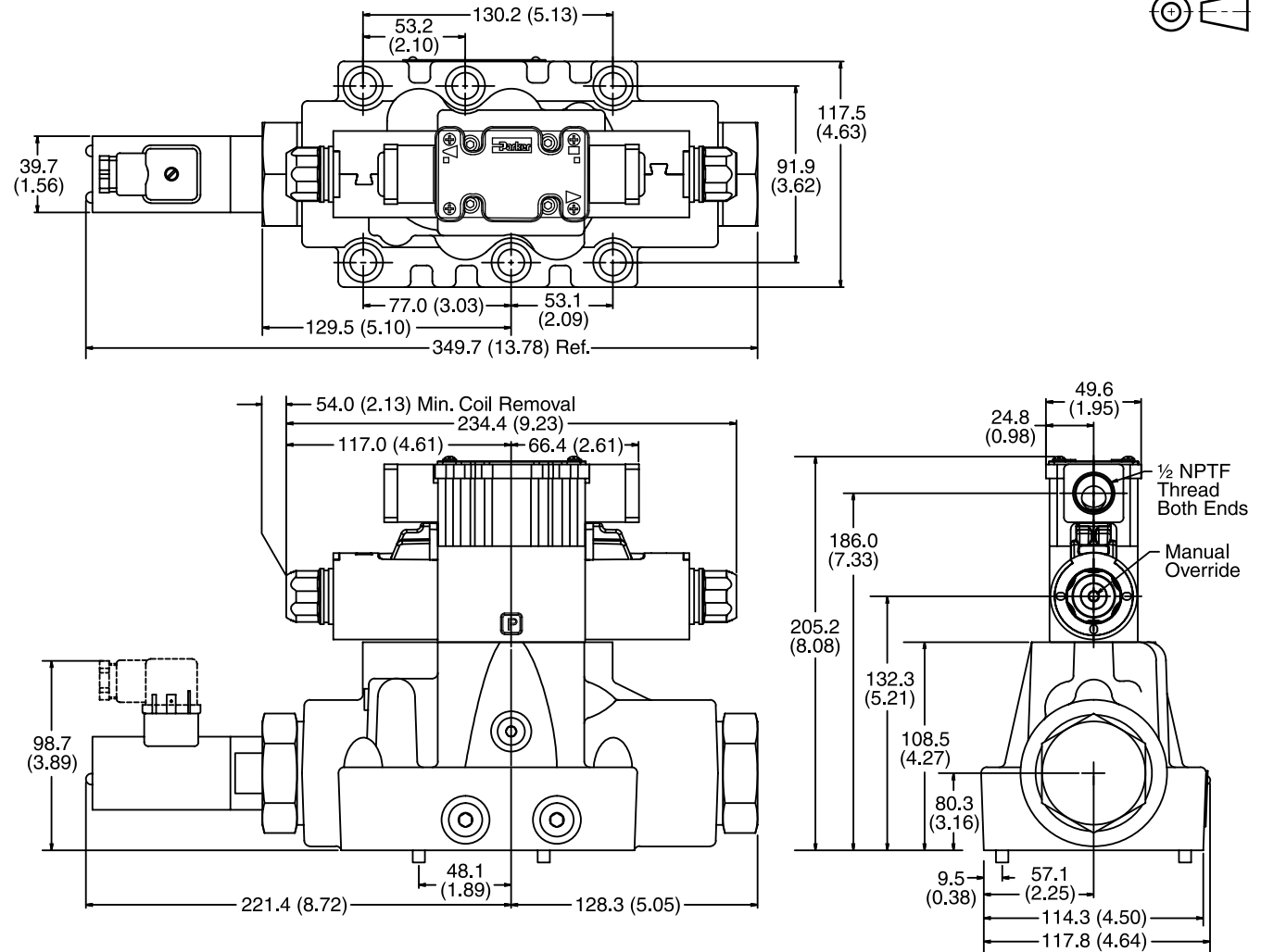


Plug-in Conduit Box, Single DC Solenoid



Inch equivalents for millimeter dimensions are shown in (**)

**Plug-in Conduit Box, Double DC Solenoid
with Variation I3 (Monitor Switch)**

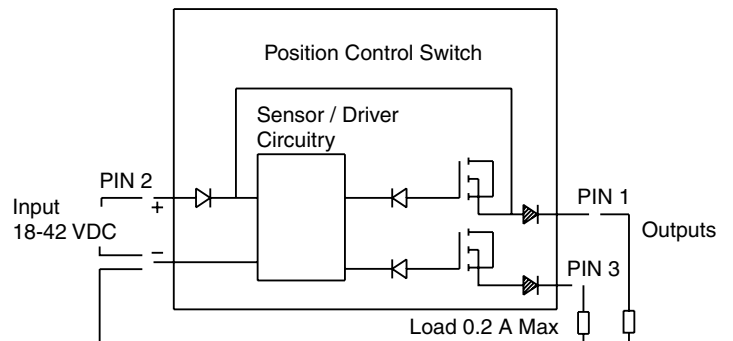


**Monitor Switch
(Variation I3 and I6)**

This feature provides for electrical confirmation of the spool shift. This can be used in safety circuits, to assure proper sequencing, etc.

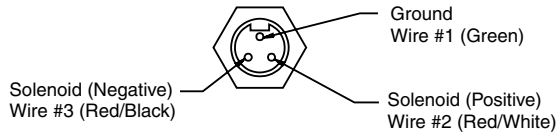
Switch Data

Pin 1 and Pin 3 have outputs equal to the input. When the monitor switch has the output to Pin 1, Pin 3 will have an output of zero, and vice-versa. When the valve is switched, Pin 1 and Pin 3 will switch outputs.



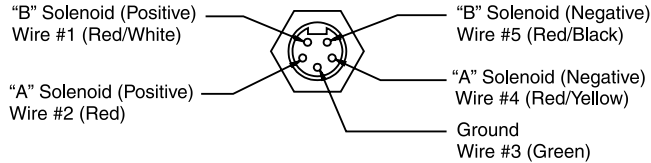
Manaplug (Options 6, 56, 1A & 1C)

- Interface – Brad Harrison Plug
- 3-Pin for Single Solenoid
 - 5-Pin for Double Solenoid



3-Pin Manaplug (Mini) with Lights

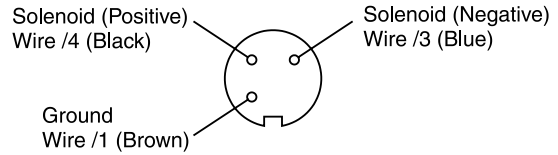
Single Solenoid Valves – Installed Opposite Side of Solenoid



5-Pin Manaplug (Mini) with Lights

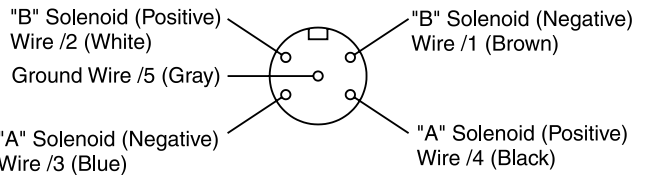
Single Solenoid Valves – Installed Opposite Side of Solenoid
 Double Solenoid Valves – Installed Over "A" Solenoid
 ("A" and "B" Solenoids Reversed for #8 and #9 Spools)

Micro Connector Options (7A, 7B, 1B & 1D)



3-Pin Manaplug (Micro) with Lights

Single Solenoid Valves – Installed Opposite Side of Solenoid



5-Pin Manaplug (Micro) with Lights

Single Solenoid Valves – Installed Opposite Side of Solenoid
 Double Solenoid Valves – Installed Over "A" Solenoid
 ("A" and "B" Solenoids Reversed for #8 and #9 Spools)

Pins are as seen on valve (male pin connectors)

Manaplug – Electrical Mini Plug

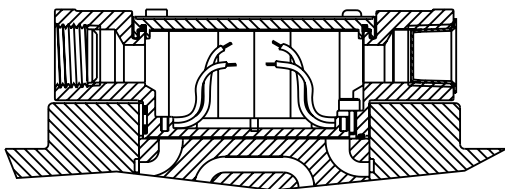
- EP336-30** 3 Pin Plug
- EP316-30** 5 Pin Plug (Double Solenoid)
- EP31A-30** 5 Pin Plug (Single Solenoid)

Manaplug – Electrical Micro Plug

- EP337-30** 3 Pin Plug
- EP317-30** 5 Pin Plug (Double Solenoid)
- EP31B-30** 5 Pin Plug (Single Solenoid)

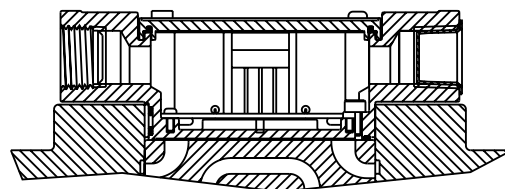
Conduit Box Option C

- No Wiring Options Available

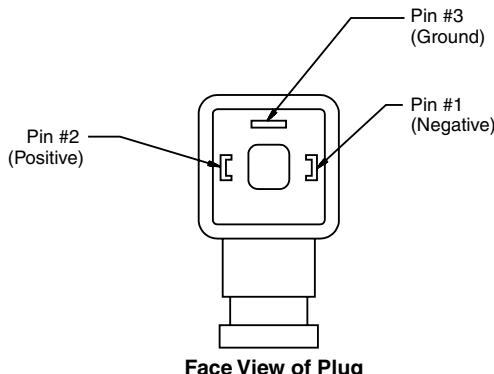


Signal Lights (Option 5) — Plug-in Only

- LED Interface
- Meets Nema 4/IP67



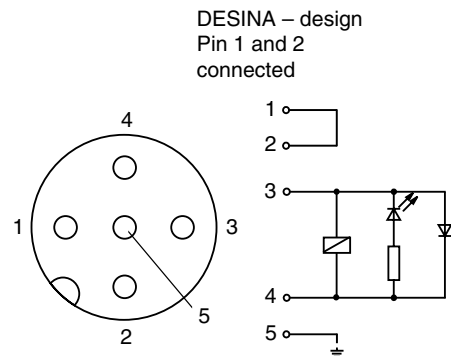
Hirschmann Plug with Lights (Option P5)
ISO 4400/DIN 43650 Form "A"



Face View of Plug

DESINA Connector (Option D)
M12 pin assignment
Standard

- 1 = Not used
- 2 = Not used
- 3 = 0V
- 4 = Signal (24 V)
- 5 = Earth Ground



DESINA – design
 Pin 1 and 2
 connected

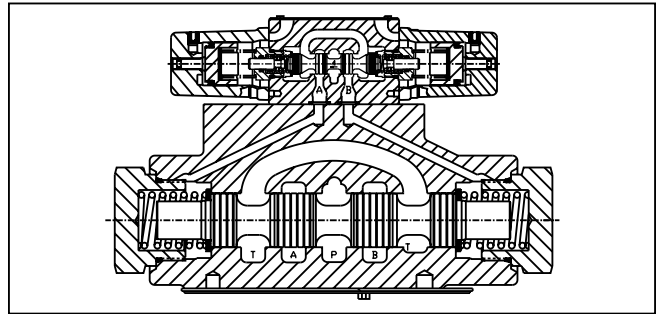
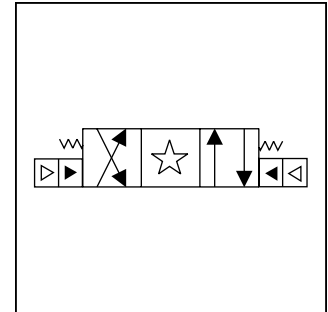
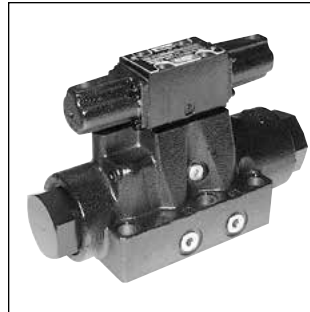
Pins are as seen on valve (male pin connectors)

General Description

Series D61VA directional control valves are 5-chamber, air pilot operated valves. They are available in 2 or 3-position styles. These valves are manifold or subplate mounted, and conform to NFPA's D08, CETOP 8 mounting patterns.

Specifications

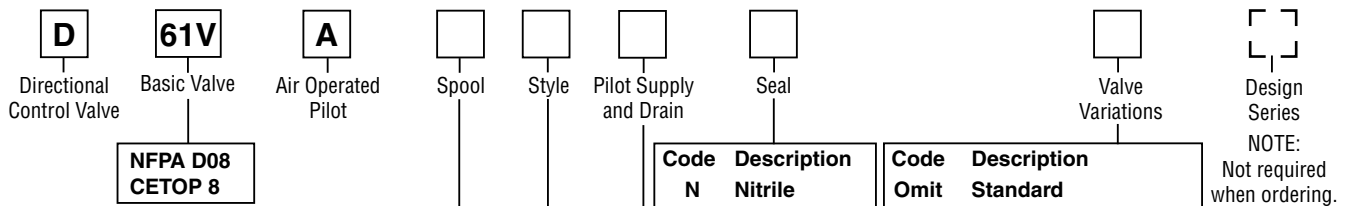
Mounting Pattern	NFPA D08, CETOP 8, NG25
Max. Operating Pressure	207 Bar (3000 PSI)
Max. Tank Pressure	Internal Drain Model: 34 Bar (500 PSI) External Drain Model: 207 Bar (3000 PSI)
Max. Drain Pressure	34 Bar (500 PSI)
Maximum Flow	See Reference Data
Pilot Pressure	Air Min. 3.4 Bar (50 PSI) Air Max. 10.2 Bar (150 PSI)
Response Time	Varies with pilot line size and length, pilot pressure, pilot valve shift time & flow capacity (GPM)



Features

- Low pressure drop.
- Fast response option available.
- Hardened spools provide long life.

Ordering Information



**NFPA D08
 CETOP 8**

Code	Description
N	Nitrile
V	Fluorocarbon

Code	Description
Omit	Standard
7	Pilot Choke – Meter-out
8	Stroke Adj. 'B' End
9	Stroke Adj. 'A' End
60	Pilot Choke – Meter-in
89	Stroke Adj. 'A' & 'B' Ends
90	1/4 BSPP Threads

Code	Description
1	Int. pilot/Ext. drain
2	Ext. pilot/Ext. drain
4#	Int. pilot/Int. drain
5	Ext. pilot/Int. drain

Not available with 002, 008 & 009 spools.

Code	Symbol	Code	Symbol
001		008*	
002		009**	
004		011	
		012	

* 008 spool has closed crossover.
 ** 009 spool has open crossover.

Valve schematic symbols are per NFPA/ANSI standards, providing flow P to A when energizing operator A. Note operators reverse sides for #8 and #9 spools. See installation information for details.

- Valve Weight:** 12.4 kg (27.3 lbs.)
Standard Bolt Kit: BK227
Metric Bolt Kit: BKM227
Seal Kit:
 Nitrile SKD61VA
 Fluorocarbon SKD61VAV

Code	Description	Symbol
B	Single operator, 2 position, spring offset. P to A and B to T in offset position.	
C	Double operator, 3 position, spring centered.	
D	Double operator, 2 position, detent.	
E	Single operator, 2 position, spring offset to center. P to B and A to T in shifted position.	
H	Single operator, 2 position, spring offset. P to B and A to T in offset position.	
K	Single operator, 2 position. Spring offset to center. P to A and B to T in shifted position.	

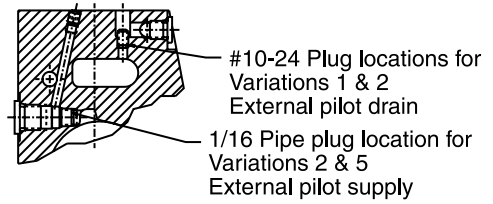
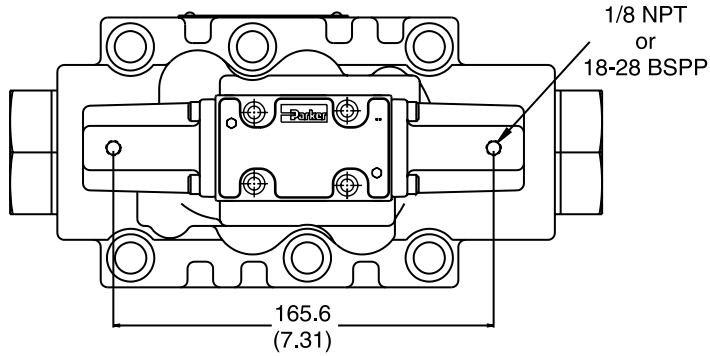
This condition varies with spool code.

Bold: Designates Tier I products and options.

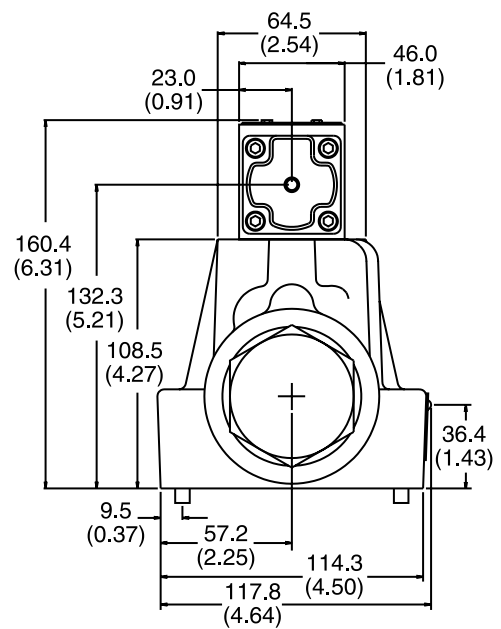
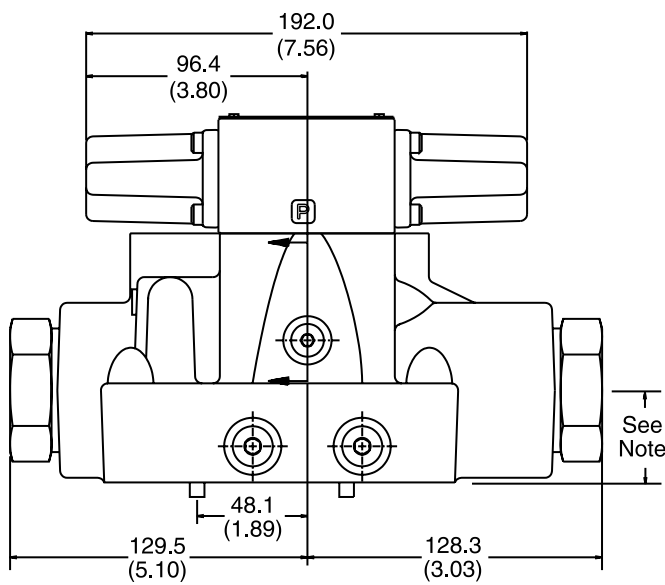
Non-Bold: Designates Tier II products and options. These products will have longer lead times.

Inch equivalents for millimeter dimensions are shown in (**)

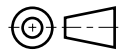
A



SECTION A-A



Note: 41.9mm (1.65") from bottom of bolt hole counterbore to bottom of valve.

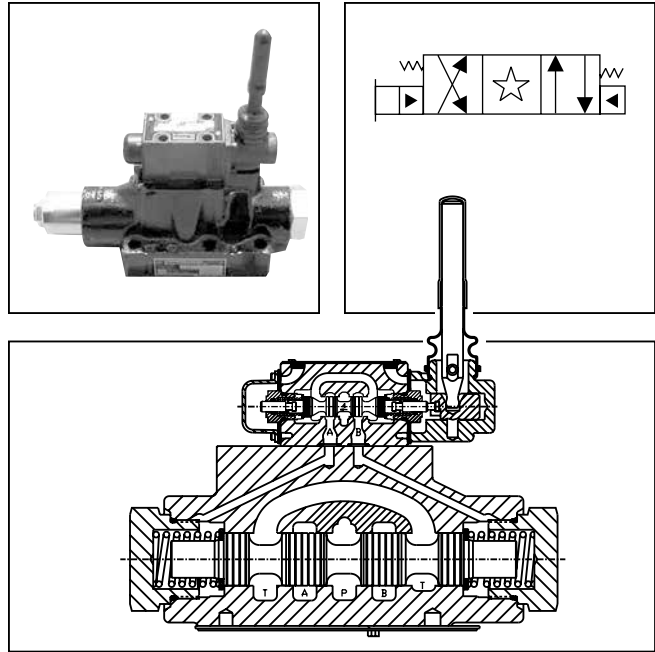


General Description

Series D61VL directional control valves are 5-chamber, lever operated valves. They are available in 2 and 3-position styles. They are manifold or sub-plate mounted valves, which conform to NFPA's D08, CETOP 8 mounting patterns.

Specifications

Mounting Pattern	NFPA D08, CETOP 8, NG25
Max. Operating Pressure	207 Bar (3000 PSI)
Max. Tank Pressure	Internal Drain Model: 34 Bar (500 PSI) External Drain Model: 207 Bar (3000 PSI)
Maximum Drain Pressure	34 Bar (500 PSI)
Maximum Flow	See Reference Data
Pilot Pressure	Oil Min. 6.9 Bar (100 PSI) Oil Max. 207 Bar (3000 PSI)
Response Time	Varies with pilot line size and length, pilot pressure, pilot valve shift time & flow capacity (GPM)



Features

- Low force required to shift spool.
- Hardened spools provide long life.
- Low pressure drop design.

Ordering Information

D Directional Control Valve	61V Basic Valve	L Lever Operated Pilot	□ Spool	□ Style	□ Pilot Supply and Drain	□ Seal	□ Valve Variations	□ Design Series																																																		
NFPA D08 CETOP 8																																																										
<table border="1"> <thead> <tr> <th>Code</th> <th>Symbol</th> <th>Code</th> <th>Symbol</th> </tr> </thead> <tbody> <tr> <td>001</td> <td></td> <td>008*</td> <td></td> </tr> <tr> <td>002</td> <td></td> <td>009**</td> <td></td> </tr> <tr> <td>004</td> <td></td> <td>011</td> <td></td> </tr> <tr> <td></td> <td></td> <td>012</td> <td></td> </tr> </tbody> </table>		Code	Symbol	Code	Symbol	001		008*		002		009**		004		011				012		<table border="1"> <thead> <tr> <th>Code</th> <th>Description</th> </tr> </thead> <tbody> <tr> <td>1</td> <td>Int. pilot/Ext. drain</td> </tr> <tr> <td>2</td> <td>Ext. pilot/Ext. drain</td> </tr> <tr> <td>4#</td> <td>Int. pilot/Int. drain</td> </tr> <tr> <td>5</td> <td>Ext. pilot/Int. drain</td> </tr> </tbody> </table>		Code	Description	1	Int. pilot/Ext. drain	2	Ext. pilot/Ext. drain	4#	Int. pilot/Int. drain	5	Ext. pilot/Int. drain	<table border="1"> <thead> <tr> <th>Code</th> <th>Description</th> </tr> </thead> <tbody> <tr> <td>N</td> <td>Nitrile</td> </tr> <tr> <td>V</td> <td>Fluorocarbon</td> </tr> </tbody> </table>		Code	Description	N	Nitrile	V	Fluorocarbon	<table border="1"> <thead> <tr> <th>Code</th> <th>Description</th> </tr> </thead> <tbody> <tr> <td>Omit</td> <td>Standard</td> </tr> <tr> <td>7</td> <td>Pilot Choke – Meter Out</td> </tr> <tr> <td>8</td> <td>Stroke Adj. 'B' End</td> </tr> <tr> <td>9</td> <td>Stroke Adj. 'A' End</td> </tr> <tr> <td>60</td> <td>Pilot Choke – Meter In</td> </tr> <tr> <td>89</td> <td>Stroke Adj. 'A' & 'B' Ends</td> </tr> </tbody> </table>		Code	Description	Omit	Standard	7	Pilot Choke – Meter Out	8	Stroke Adj. 'B' End	9	Stroke Adj. 'A' End	60	Pilot Choke – Meter In	89	Stroke Adj. 'A' & 'B' Ends	NOTE: Not required when ordering.
Code	Symbol	Code	Symbol																																																							
001		008*																																																								
002		009**																																																								
004		011																																																								
		012																																																								
Code	Description																																																									
1	Int. pilot/Ext. drain																																																									
2	Ext. pilot/Ext. drain																																																									
4#	Int. pilot/Int. drain																																																									
5	Ext. pilot/Int. drain																																																									
Code	Description																																																									
N	Nitrile																																																									
V	Fluorocarbon																																																									
Code	Description																																																									
Omit	Standard																																																									
7	Pilot Choke – Meter Out																																																									
8	Stroke Adj. 'B' End																																																									
9	Stroke Adj. 'A' End																																																									
60	Pilot Choke – Meter In																																																									
89	Stroke Adj. 'A' & 'B' Ends																																																									

* 008 spool has closed crossover.
 ** 009 spool has open crossover.

Valve schematic symbols are per NFPA/ANSI standards, providing flow P to A when energizing operator A. Note operators reverse sides for #8 and #9 spools. See installation information for details.

Valve Weight: 12.1 kg (26.7 lbs.)
Standard Bolt Kit: BK227
Metric Bolt Kit: BKM227
Seal Kit:
 Nitrile SKD61VL
 Fluorocarbon SKD61VLV

Code	Description	Symbol
B*	Single operator, 2 position, spring offset. P to A and B to T in offset position.	
C	Double operator, 3 position, spring centered.	
D*	Double operator, 2 position, detent.	
E	Single operator, 2 position, spring centered. P to B and A to T in shifted position.	
H*	Single operator, 2 position, spring offset. P to B and A to T in offset position.	
K	Single operator, 2 position. Spring centered. P to A and B to T in shifted position.	

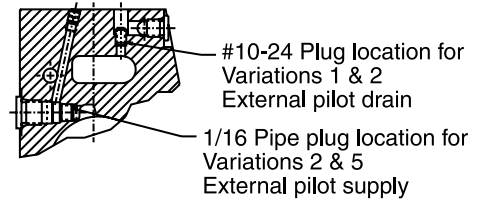
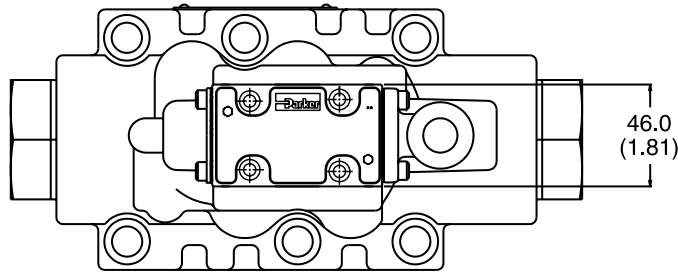
*Available with 001, 002, 004, 011, 012.

Bold: Designates Tier I products and options.

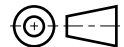
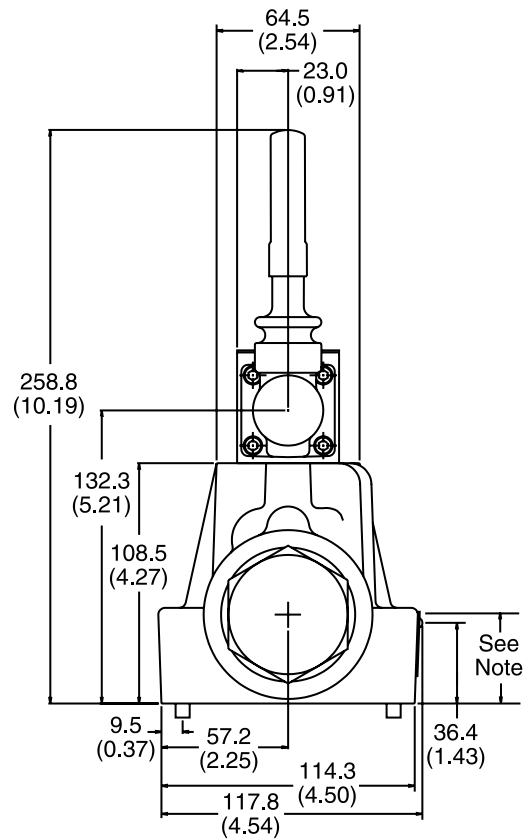
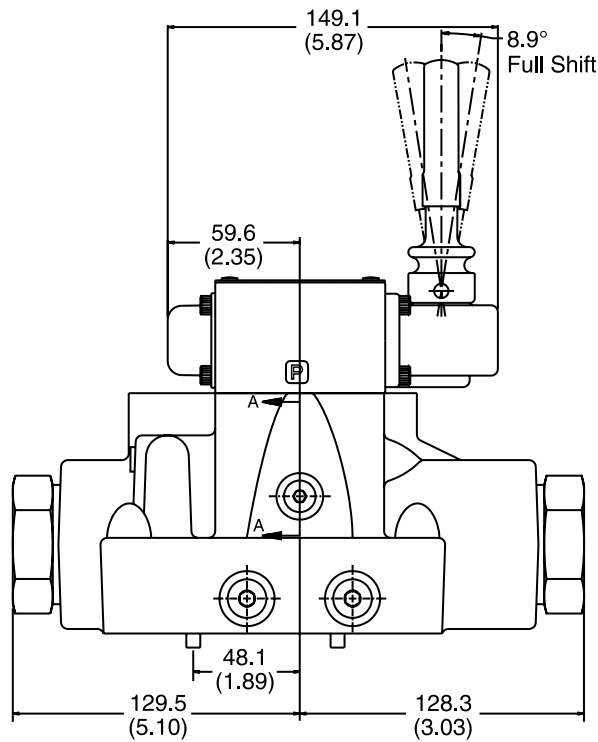
Non-Bold: Designates Tier II products and options. These products will have longer lead times.

Inch equivalents for millimeter dimensions are shown in (**)

A



SECTION A-A



Note: 41.9mm (1.65") from bottom of bolt counterbore.

General Description

Series D6P directional control valves are 5-chamber, pilot operated valves. They are available in 2 or 3-position styles. These valves are manifold or subplate mounted, and conform to NFPA's D08, CETOP 8 mounting patterns.

Features

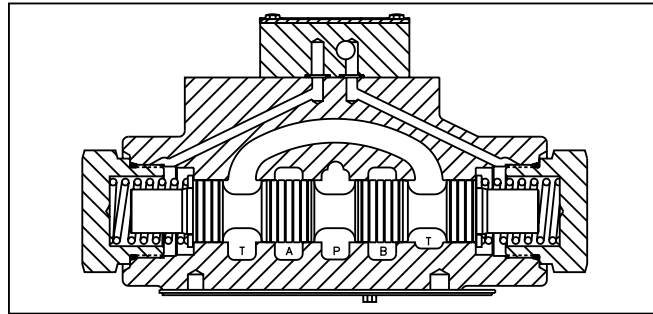
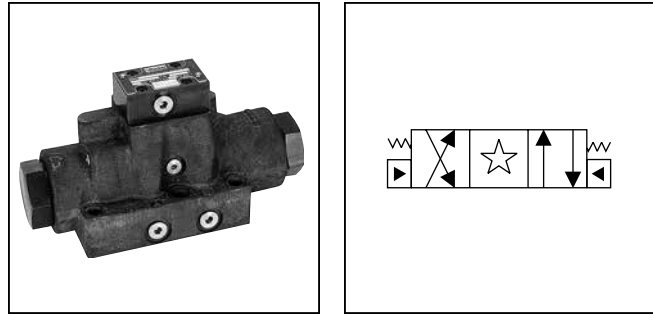
- Low pressure drop design.
- Hardened spools provide long life.
- Fast response option available.

Specifications

Mounting Pattern	NFPA D08, CETOP 8, NG25
Max. Operating Press.	207 Bar (3000 PSI)
Max. Tank Line Press.	207 Bar (3000 PSI)
Max. Drain Pressure	207 Bar (3000 PSI)
Min. Pilot Pressure	5.1 Bar* (75 PSI)
Max. Pilot Pressure	207 Bar (3000 PSI)
Nominal Flow	189 Liters/Min (50 GPM)
Maximum Flow	See Reference Chart

* 6.9 Bar (100 PSI) for 2, 8, 9 & 12 spools

For flow path, pilot drain and pilot pressure details, see Installation Information.



Response Time

Response time will vary with pilot line size, pilot line length, pilot pressure shift time and flow capacity of the control valve.

Shift Volume

The pilot chamber requires a volume of 0.54 in³ for center to end and 1.08 in³ for end to end.

Ordering Information

<div style="border: 1px solid black; padding: 2px; width: 30px; margin: 0 auto;">D</div> Directional Control Valve	<div style="border: 1px solid black; padding: 2px; width: 30px; margin: 0 auto;">6</div> Basic Valve	<div style="border: 1px solid black; padding: 2px; width: 30px; margin: 0 auto;">P</div> Hydraulic Pilot	<div style="border: 1px solid black; padding: 2px; width: 30px; margin: 0 auto;"></div> Spool	<div style="border: 1px solid black; padding: 2px; width: 30px; margin: 0 auto;"></div> Style	<div style="border: 1px solid black; padding: 2px; width: 30px; margin: 0 auto;"></div> Pilot Supply and Drain	<div style="border: 1px solid black; padding: 2px; width: 30px; margin: 0 auto;"></div> Seal	<div style="border: 1px solid black; padding: 2px; width: 30px; margin: 0 auto;"></div> Valve Variations	<div style="border: 1px solid black; padding: 2px; width: 30px; margin: 0 auto;"></div> Design Series
--	--	--	---	---	--	--	--	---

<div style="border: 1px solid black; padding: 2px; width: 100px; margin: 0 auto;">NFPA D08 CETOP 8</div>	<div style="border: 1px solid black; padding: 2px; width: 100px; margin: 0 auto;">Code Type N Nitrile V Fluorocarbon</div>	<div style="border: 1px solid black; padding: 2px; width: 100px; margin: 0 auto;">Code Description 2 Ext. Pilot — Ext. Drain 5# Ext. Pilot — Int. Drain</div> <p># Available in "B" & "H" styles only.</p>	<div style="border: 1px solid black; padding: 2px; width: 100px; margin: 0 auto;">Code Description 7 Pilot Choke — Meter Out 8 Stroke Adj. 'B' End 9 Stroke Adj. 'A' End 20 Fast Response 60 Pilot Choke — Meter In 89 Stroke Adj. 'A' & 'B' Ends</div>
--	--	--	---

<div style="border: 1px solid black; padding: 2px; width: 100px; margin: 0 auto;">Code Symbol Code Symbol</div>	<div style="border: 1px solid black; padding: 2px; width: 100px; margin: 0 auto;">Code Description</div>
<div style="border: 1px solid black; padding: 2px; width: 100px; margin: 0 auto;">1 </div>	<div style="border: 1px solid black; padding: 2px; width: 100px; margin: 0 auto;">8* 9** </div>
<div style="border: 1px solid black; padding: 2px; width: 100px; margin: 0 auto;">2 </div>	<div style="border: 1px solid black; padding: 2px; width: 100px; margin: 0 auto;">11 </div>
<div style="border: 1px solid black; padding: 2px; width: 100px; margin: 0 auto;">4 </div>	<div style="border: 1px solid black; padding: 2px; width: 100px; margin: 0 auto;">12 </div>

* 8 spool has closed crossover.
 ** 9 spool has open crossover.

Valve schematic symbols are per NFPA/ANSI standards, providing flow P to A when energizing operator X. Note operators reverse sides for #8 and #9 spools. See installation information for details.

Valve Weight: 11.0 kg (24.2 lbs.)
Standard Bolt Kit: BK227
Metric Bolt Kit: BKM227

<div style="border: 1px solid black; padding: 2px; width: 100px; margin: 0 auto;">Code Description</div>	<div style="border: 1px solid black; padding: 2px; width: 100px; margin: 0 auto;">Symbol</div>
<div style="border: 1px solid black; padding: 2px; width: 100px; margin: 0 auto;">B Single operator, 2 position, spring offset. P to A and B to T in offset position.</div>	<div style="border: 1px solid black; padding: 2px; width: 100px; margin: 0 auto;"></div>
<div style="border: 1px solid black; padding: 2px; width: 100px; margin: 0 auto;">C Double operator, 3 position, spring centered.</div>	<div style="border: 1px solid black; padding: 2px; width: 100px; margin: 0 auto;"></div>
<div style="border: 1px solid black; padding: 2px; width: 100px; margin: 0 auto;">H Single operator, 2 position, spring offset. P to B and A to T in offset position.</div>	<div style="border: 1px solid black; padding: 2px; width: 100px; margin: 0 auto;"></div>

This condition varies with spool code.

Bold: Designates Tier I products and options.

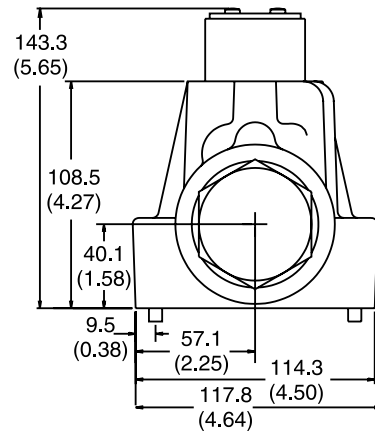
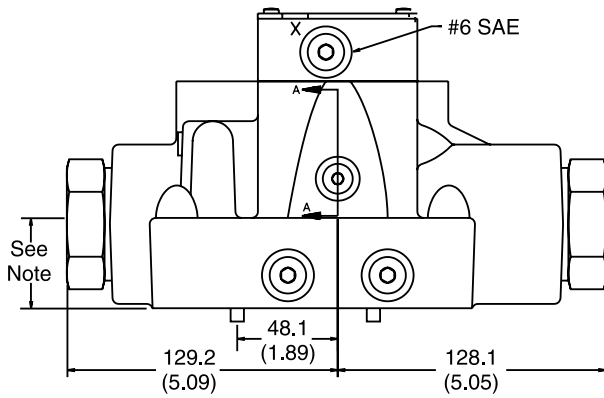
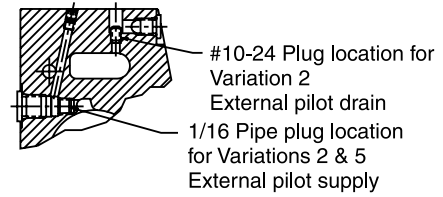
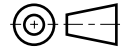
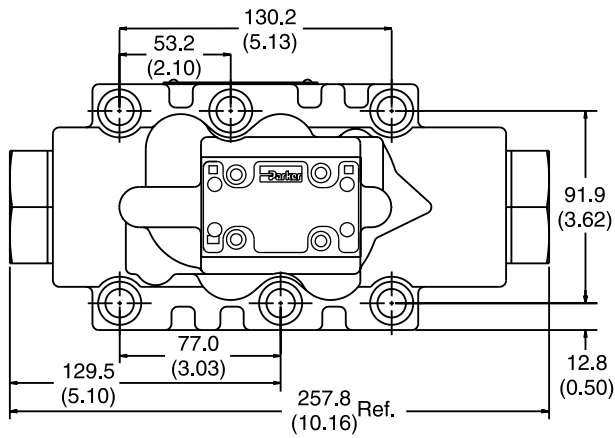
Non-Bold: Designates Tier II products and options. These products will have longer lead times.

D61.indd, dd

Inch equivalents for millimeter dimensions are shown in (**)

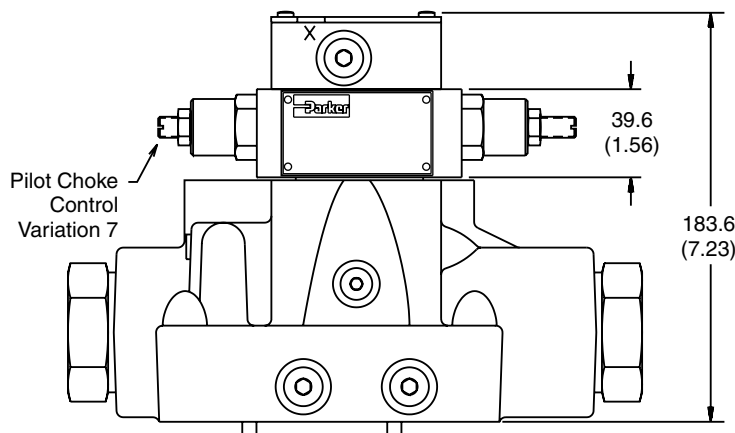
A

Standard Pilot Operated



Note: 41.9mm (1.65") from bottom of bolt hole counterbore to bottom of valve.

Pilot Operated with Pilot Choke Control



Note: 41.9mm (1.65") from bottom of bolt hole counterbore to bottom of valve.

FOR MAXIMUM VALVE RELIABILITY, ADHERE TO THE FOLLOWING INSTALLATION INFORMATION.

The following is important installation information which applies to all directional control valves described in this catalog.

Mounting Position

Detent – Horizontal

Spring Offset – Unrestricted

Spring Centered – Unrestricted

Fluid Recommendations

Premium quality hydraulic oil with a viscosity range between 32-54 cSt. (150-250 SSU) At 38°C (100°F) is recommended. The absolute operating viscosity range is from 16-220 cSt. (80-1000 SSU). Oil should have maximum anti-wear properties and rust and oxidation treatment.

Fluids and Seals

Valves using synthetic, fire-resistant fluids require special seals. When phosphate esters or its blends are used, FLUOROCARBON seals are required. Water-glycol, water-in-oil emulsions and petroleum oil may be used with STANDARD seals.

Filtration

For maximum valve and system component life, the system should be protected from contamination at a level not to exceed 125 particles greater than 10 microns per milliliter of fluid (SAE class 4/ISO 16/13).

Silting

Silting can cause any sliding spool valve to stick and not spring return if held under pressure for long periods of time. The valve should be cycled periodically to prevent sticking.

Special Installations

Consult your Parker representative for any application requiring the following:

- Pressure above rating.
- Fluid other than those specified.
- Oil temperature above 71.1°C (160°F).
- Flow path other than normal.

Mounting Patterns

Series	NFPA	Size
D61V*, D6P	D08, CETOP 8	3/4"

Torque Specifications

The recommended torque values for the bolts which mount the valve to the manifold or subplate are as follows: 135.6 Nm (100 ft-lbs).

A

Series D61VW, D61VA, D61VL**Tank and Drain Line Surges**

If several valves are piped with a common tank or drain line, flow surges in the line may cause an unexpected spool shift. Detent style valves are most susceptible to this. Separate tank and drain lines should be piped in installations where line surges are expected.

Electrical Characteristics (Detented Spool)

Only a momentary energizing of the solenoid is necessary to shift and hold a detented spool. Minimum duration of the signal is 0.1 seconds for DC voltages. For AC voltages the response time is 0.06 seconds. Spool position will be held provided the spool centerline is in a horizontal plane, and not shock or vibration is present to displace the spool.

Electrical Failure or Loss of Pilot Pressure (D61VA)

Should electric power fail or loss of pilot pressure occur, spring offset and spring centered valves will shift to the spring held position. Detented valves will stay in the last position held before power failure. If main flow does not fail or stop at the same time power fails, machine actuators may continue to function in an undesirable manner or sequence.

Pilot/Drain Characteristics**Pilot Pressure:**

5.1 to 207 Bar (75 to 3000 PSI)
6.9 Bar (100 PSI) for spools 002, 007, 008, 009 & 014

External: An oil source sufficient to maintain minimum pilot pressure must be connected to the "X" port of the main body. When using the external pilot variation, a 1/16" pipe plug must be present in the main body pilot passage. (For details see Dimension pages.) This plug will be furnished in valves ordered with pilot code 2, 3, 5 or 6.

Internal: Flow is internally ported from the pressure port of the main valve body to the "P" port of the pilot valve. The pressure developed at the "P" port of the pilot valve must be 5.1 Bar (75 PSI) minimum at all times or 6.9 Bar (100 PSI) for spools 002, 007, 008, 009 & 014.

Integral Check: Valves using internal pilot and internal drain with an open center spool (spools 002, 008 & 009) can be ordered with an integral check valve in the pressure port of the main valve codes 3 & 6. Pilot oil will be internally ported from the upstream side of this check to the "P" port of the pilot valve, ensuring sufficient pilot pressure. A 1/16" pipe plug will be present in the main body. The "X" port in the subplate must be plugged when using the integral check.

Pilot Valve Drain:

Maximum pressure 102 Bar (1500 PSI), 207 Bar (3000 PSI) optional.

External: When using an external drain, a 10 x 24 x 0.31 long set screw must be present in the main body drain passage. (For details see Dimension pages.) This plug will be furnished in valves ordered with drain code 1, 2 or 3.

Drain flow from the pilot valve is at the "Y" port of the main body and must be piped directly to tank. Maximum drain line pressure is 102 Bar (1500 PSI), 207 Bar (3000 PSI) optional. Any drain line back pressure is additive to the pilot pressure requirement.

Internal: Drain flow from the pilot valve is internally connected to the main valve tank port. Tank and drain pressure are then identical so tank line pressure should not exceed 102 Bar (1500 PSI), 207 Bar (3000 PSI) optional. Any tank line back pressure is also additive to the pilot pressure requirement. If flow surges (a cause of pressure surges) are anticipated in the tank line, an external drain variation is recommended. The "Y" port in the subplate must be plugged when using an internal drain.

D61V* Flow Paths

Style Code	Description	No Solenoid/Operator Energized	Solenoid/Operator A Energized	Solenoid/Operator B Energized
B	Spring Offset	P→A and B→T	—	P→B and A→T
C	Spring Centered	Centered	P→A and B→T	P→B and A→T
D	Detented	Last Position Held	P→A and B→T	P→B and A→T
E	Spring Centered	Centered	—	P→B and A→T
F†	Spring Offset, Shift to Center	P→A and B→T	—	Centered
H	Spring Offset	P→B and A→T	P→A and B→T	—
K	Spring Centered	Centered	P→A and B→T	—
M†	Spring Offset, Shift to Center	P→B and A→T	Centered	—

† D61VW only.

D61.indd, dd

Series D6P

Tank and Drain Line Surges

If several valves are piped with a common tank or drain line, flow surges in the line may cause an unexpected spool shift. Detent style valves are most susceptible to this. Separate tank and drain lines should be piped in installations where line surges are expected.

Loss of Pilot Pressure

Should a loss of pilot pressure occur, spring offset and spring centered valves will shift to the spring held position. No spring valves will stay in the last position held. If main hydraulic flow does simultaneously stop, machine actuators may continue to function in an undesirable manner or sequence.

Pilot Drain Characteristics

Pilot Pressure:

5.1 to 207 Bar (75 to 3000 PSI)
 6.9 Bar (100 PSI) for spools 2, 8, 9 & 12

Direct pilot operated valves use the “X” and “Y” ports to supply pilot oil directly to the ends of the spool, providing spool shifting force. A block mounted on top of the valve body is internally cored to make the necessary connections. Thus when “X” is pressurized, “Y” is used as a drain; and when “Y” is pressurized, “X” becomes the drain.

Any back pressure in these lines when they are being used as a drain is additive to the pilot pressure requirement.

Internal Drain: On spring offset models, only the “X” port is pressurized, as the spring returns the spool to its at rest position. On these models, “Y” may be internally drained through the main tank passage in the valve.

Flow Path/Pilot Pressure

Style Code	Description	“X” & “Y” De-Pressurized	“X” Port Pressurized	“Y” Port Pressurized	Special Notes	Recommended Control Valve For Pilot Oil
B	Two Position Spring Offset	P→A, B→T	P→A, B→T	P→B, A→T	“X” Port may be pressurized to assist spring in returning spool to offset position (ext. only)	
C	Three Position Spring Centered	Center	P→A, B→T	P→B, A→T	Flow paths will be reversed on valves with tandem center (8) spools	
H	Two-Position Spring Offset	P→B, A→T	P→A, B→T	P→B, A→T	“Y” Port may be pressurized to assist spring in returning spool to offset position	

Subplate Mounting
NFPA D08, CETOP 8 & NG 25

A

Recommended Mounting Surface

Surface must be flat within .102 mm (0.0004 inch) T.I.R and smooth within 812.8 micro-meters (32 micro-inch). Torque bolts to 135.6 Nm (100 ft-lbs).

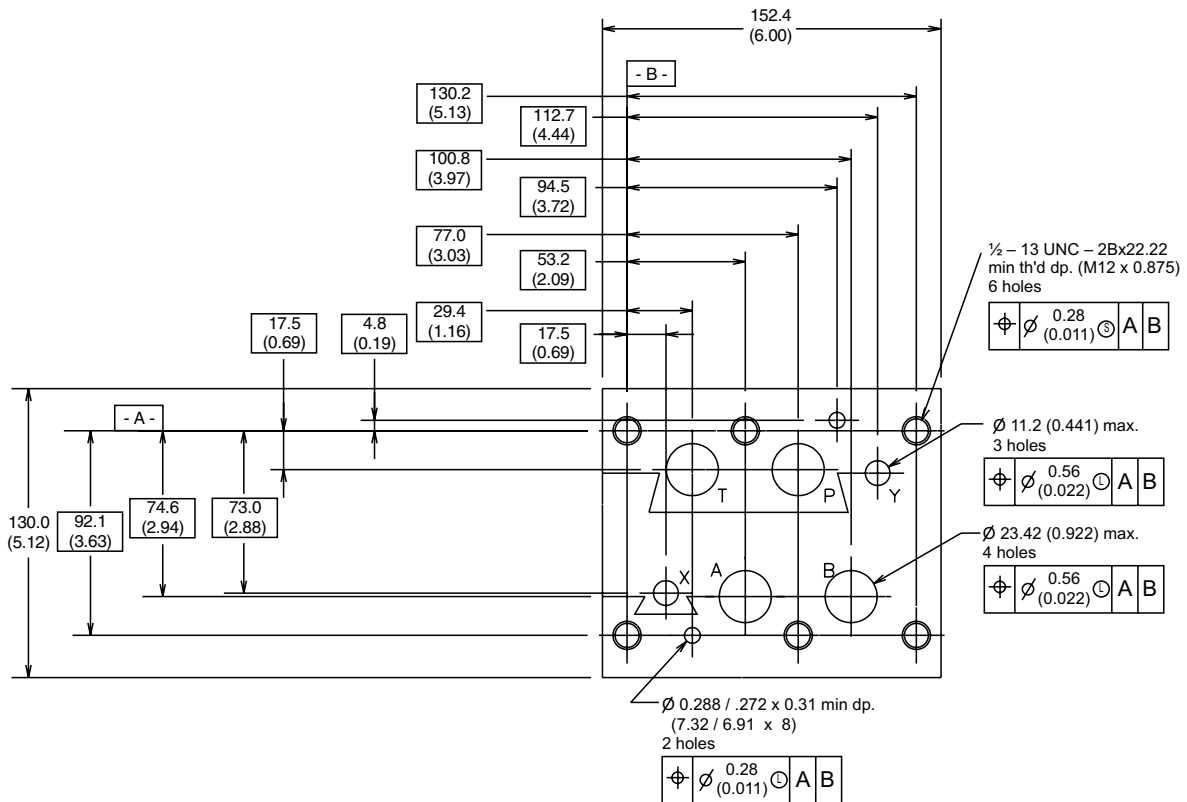
Mounting Position

Valve Type	Mounting Position
Detent (Solenoid)	Horizontal
Spring Offset	Unrestricted
Spring Centered	Unrestricted

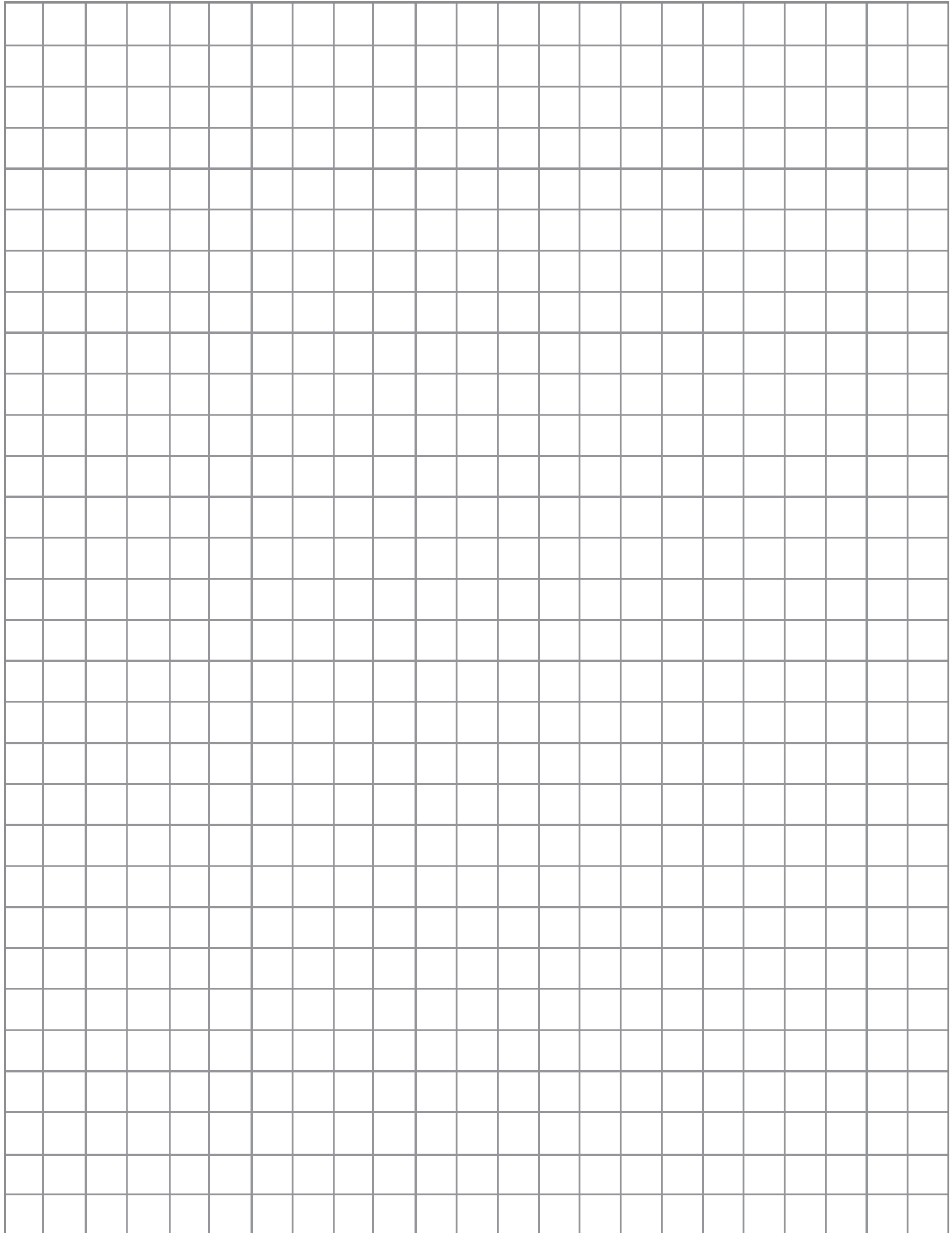
For maximum valve reliability, adhere to the following installation information.

Mounting Pattern — NFPA D08, CETOP 8 & NG 25

Inch equivalents for millimeter dimensions are shown in (**)



Notes



[Return to ALPHA TOC](#)

[Return to SECTION TOC](#)

A

Application

Series D81 hydraulic directional control valves are high performance, solenoid controlled, pilot operated, 2-stage, 4-way valves. They are available in 2 or 3-position styles and are manifold mounted. These valves conform to NFPA's D08, CETOP 8 mounting pattern.

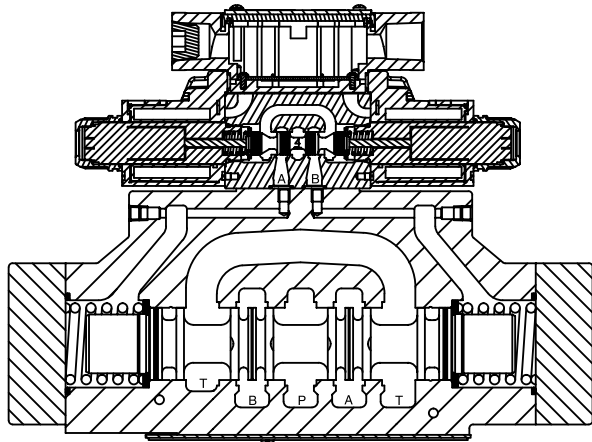
Operation

Series D81 directional valves consist of a 5-chamber style main body, a case hardened sliding spool, and a pilot valve or pilot operators (hydraulic or pneumatic).

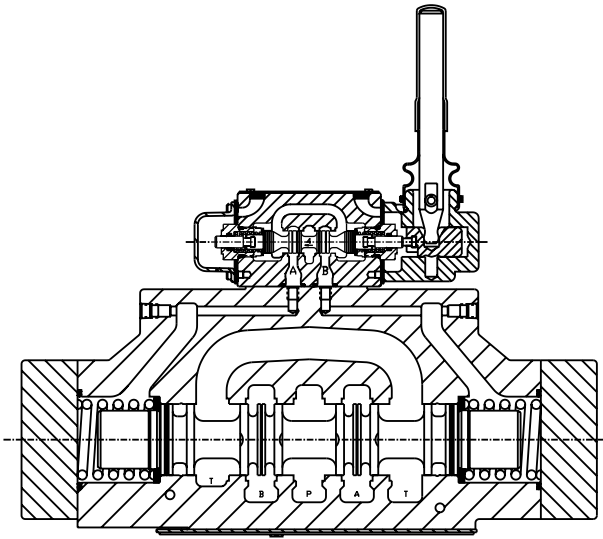
Features

- Easy access mounting bolts.
- 345 Bar (5000 PSI) pressure rating.
- Flows to 622 LPM (160 GPM) depending on spool.
- Choice of four operator styles.
- Rugged four land spools.
- Low pressure drop.
- Phosphate finish.

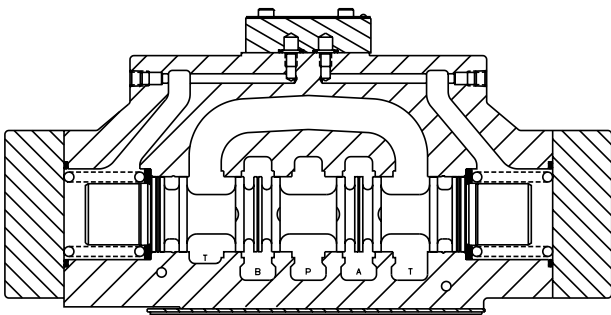
A



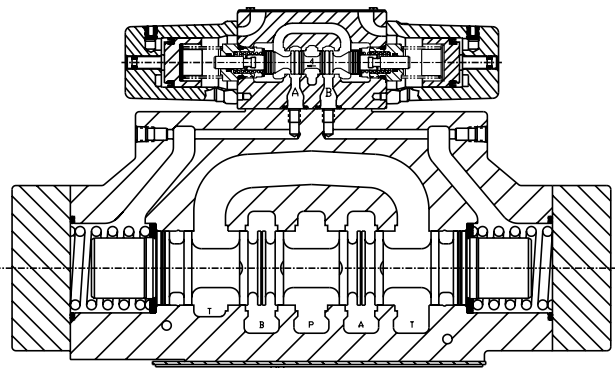
D81VW Solenoid Operated Plug-in Conduit Box



D81VL Lever Operated



D8P Oil Pilot Operated



D81VA Air Pilot Operated

General Description

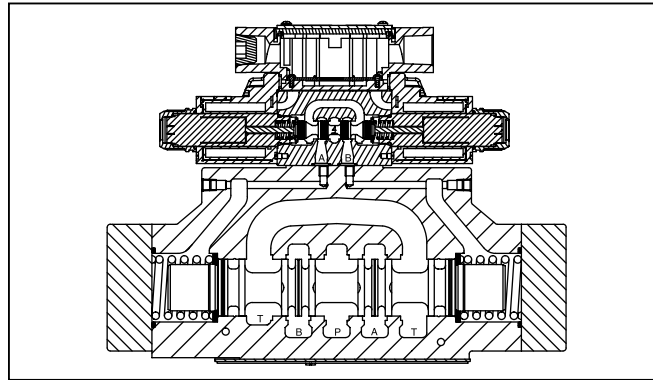
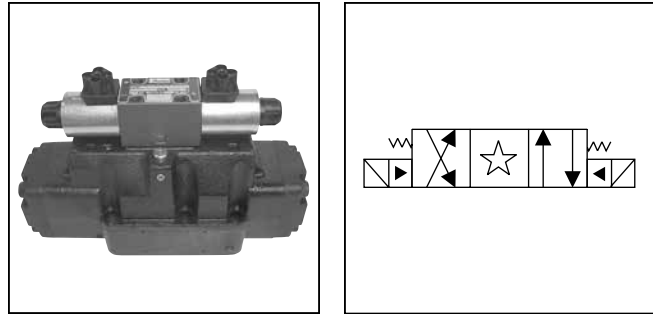
Series D81VW directional control valves are 5-chamber, pilot operated, solenoid controlled valves. They are available in 2 or 3-position styles. These valves are manifold or subplate mounted, and conform to NFPA's D08, CETOP 8 mounting pattern.

Operation





Series D81VW pilot operated valves are standard with low shock spools and pilot orifice. The orifice can be removed if a faster shift is required. It is recommended, however, that all systems operating above 138 Bar (2000 PSI) use the standard valve to avoid severe shock.

Features

- Low pressure drop design.
- Hardened spools provide long life.
- Fast response option available.
- Wide variety of voltages and electrical connection options.
- Explosion proof availability.
- No tools required for coil removal.



Specifications

Mounting Pattern	NFPA D08, CETOP 8, NG25
Maximum Operating Pressure	345 Bar (5000 PSI) Standard 207 Bar (3000 PSI) 10 Watt CSA  207 Bar (3000 PSI)
Maximum Tank Line Pressure	Internal Drain Model: 103 Bar (1500 PSI) AC Only 207 Bar (3000 PSI) DC Std., AC Optional External Drain Model: 345 Bar (5000 PSI) CSA  103 Bar (1500 PSI)
Maximum Drain Pressure	103 Bar (1500 PSI) AC Only 207 Bar (3000 PSI) DC Std., AC Optional CSA  103 Bar (1500 PSI)
Minimum Pilot Pressure	5.1 Bar* (75 PSI)
Maximum Pilot Pressure	345 Bar (5000 PSI) Standard CSA  207 Bar (3000 PSI)
Nominal Flow	302 LPM (80 GPM)

* 6.9 Bar (100 PSI) for spool configurations 002, 007, 008, 009 & 014.

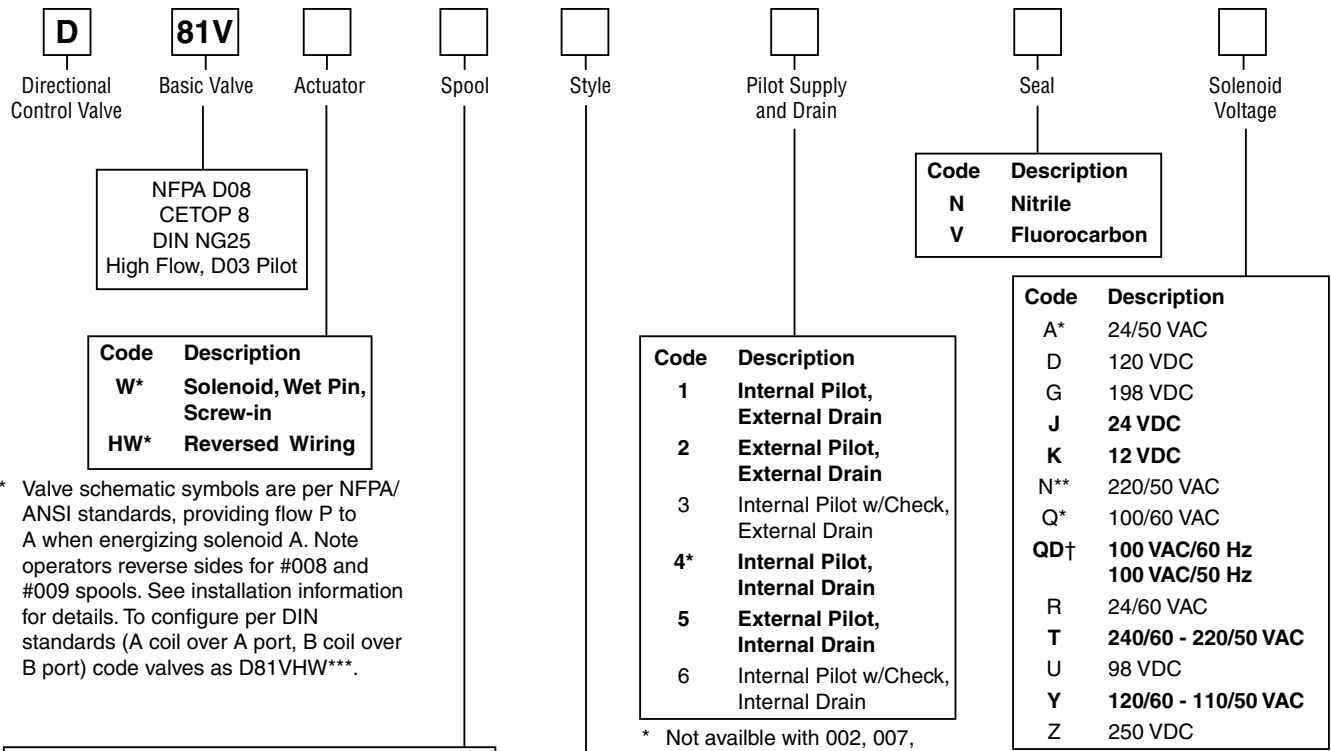
Response Time

Response times (milliseconds) are measured at 345 Bar (5000 PSI) and 300 LPM (80 GPM) with various pilot pressures as indicated.

Solenoid Type	Pilot Pressure	Pull-In		Drop-Out	
		Std	Fast	Std	Fast
DC	500	140	100	70	70
	1000	125	90	76	76
	2000	100	70	70	70
AC	500	100	60	60	60
	1000	85	50	60	60
	2000	60	30	60	60

Because of the high drain line pressure transients generated during shifting, use of the fast response option is not recommended for pilot pressures exceeding 138 Bar (2000 PSI).

A



NFPA D08
 CETOP 8
 DIN NG25
 High Flow, D03 Pilot

Code	Description
W*	Solenoid, Wet Pin, Screw-in
HW*	Reversed Wiring

Code	Description
1	Internal Pilot, External Drain
2	External Pilot, External Drain
3	Internal Pilot w/Check, External Drain
4*	Internal Pilot, Internal Drain
5	External Pilot, Internal Drain
6	Internal Pilot w/Check, Internal Drain

* Valve schematic symbols are per NFPA/ANSI standards, providing flow P to A when energizing solenoid A. Note operators reverse sides for #008 and #009 spools. See installation information for details. To configure per DIN standards (A coil over A port, B coil over B port) code valves as D81VHW***.

* Not available with 002, 007, 008, 009, 014 & 030 spools.

* High Watt Coil only.
 ** Explosion Proof only.
 † Available in DIN only.

Code	Symbol	Code	Symbol
001		012	
002		014	
003		015	
004		016	
005		020*	
006		030**	
007		081	
008*		082	
009**			
011			

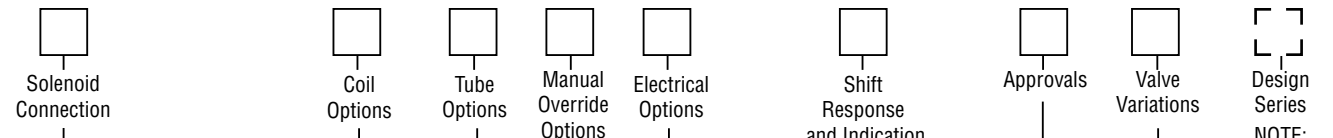
* 008 & 020 spool have closed crossover.
 ** 009 & 030 spool have open crossover.

Code	Description	Symbol
B*	Single solenoid, 2 position, spring offset. P to A and B to T in offset position.	
C	Double solenoid, 3 position, spring centered.	
D*	Double solenoid, 2 position, detent.	
E	Single solenoid, 2 position, spring centered. P to B and A to T when energized.	
F**	Single solenoid, 2 position, spring offset, energized to center. Position spool spacer on A side. P to A and B to T in spring offset position.	
H*	Single solenoid, 2 position, spring offset. P to B and A to T in offset position.	
K	Single solenoid, 2 position, spring centered. P to A and B to T when energized.	
M**	Single solenoid, 2 position, spring offset, energized to center position. Spool spacer on B side. P to B and A to T in spring offset position.	

* Available with 020 and 030 spools only.
 ** High watt coil only.

Bold: Designates Tier I products and options.

Non-bold: Designates Tier II products and options. These products will have longer lead times.



Code	Description
C*	Leadwire Conduit Box
D**	Metric Plug (M12X1), DESINA
E†	Explosion Proof
G††	Plug-In Conduit Box
J#	Deutsch (DT06-2S)
M#	Metri-Pack (150)
P	DIN with Plug
S#	Dual Spade
W†	DIN w/o Plug

* No variations – See Plug-in.
 ** DC only, lights, diode surge suppressor, not CSA approved.
 † Not available with lights.
 †† Required for variations on conduit box style. Must have lights.
 # DC only, no lights, not CSA approved.

Code	Description
Omit	Standard Response, No Switch
I3	Monitor Switch, 'A' & 'B' Port End
I6	Monitor Switch, 'A' & 'B' Port Start

Note: Not CE or CSA approved. Not available with 'F' or 'M' styles.

Code	Description
Omit	No Options
J*	Diode Surge Suppressor
Z†	Rectified Coil

* DC only. DIN coil must include plug with lights.
 † DC tube standard.

Code	Description
Omit	Standard Valve
3*†	CSA US
4*#	CSA Approved

* Not available with AC high pressure tube.
 # Valve is derated with this option.
 † B, C, H styles only. J, K, Y, U voltages only with C, G, W solenoid connections only. Conforms to UL429.

Code	Description
Omit*	High Watt
D**	Explosion Proof, EEXD ATEX
E**	Explosion Proof, EEXME ATEX
F†	Low Watt
L††	10 Watt
O**	Explosion Proof, MSHA
T#	Explosion Proof, Ex d IIC ATEX/CSA
U**	Explosion Proof, UL/CSA

* AC ambient temperature must not exceed 60°C (140°F).
 ** 60 Hz only on AC, no options.
 † AC only.
 †† DC and AC rectified only.
 # J, K and Y voltages only. Dual frequency on AC, no options.

Code	Description
Omit	Standard
P	Extended with Boot
T†	None

† DC or AC Rectified only. Manual Override options not available with Explosion Proof.

Code	Description
Omit	Standard Pressure
	103 Bar (1500 PSI) AC
	207 Bar (3000 PSI) DC
H*	High Pressure, AC only
	207 Bar (3000 PSI)

* Not available with CSA.

Valve Weight:
 Double Solenoid 19.6 kg (43.2 lbs.)
Seal Kit:
 Nitrile SKD81VWN91
 Fluorocarbon SKD81VWV91

Mounting Bolt Kits

UNC Bolt Kits for use with D6 and D8 Directional Control Valves & Sandwich Valves				
	Number of Sandwich Valves @ 2.75" (70mm) thickness			
	0	1	2	3
D6	BK227 2.50"	BK121 5.25"	BK122 8.00"	BK123 10.75"
D6 plus tapping plate	BK161 3.50"	BK170 6.25"	BK171 9.00"	BK172 11.75"
D8	BK228 3.00"	BK131 5.75"	BK132 8.50"	BK133 11.25"
D8 plus tapping plate	BK173 4.00"	BK174 6.75"	BK175 9.50"	BK114 12.125"

Note: All bolts are SAE grade 8, 1/2-13 UNC-3A thread, torque to 133 N.m. (100 ft.-lbs.)

Bold: Designates Tier I products and options.

Non-bold: Designates Tier II products and options. These products will have longer lead times.

Valve Variations

A

Code	Description
5*	Signal Lights – Standard
	Signal Lights – Hirsch. (DIN with Plug)
7B**	Manaplug – Brad Harrison (12x1) Micro with Lights
56**	Manaplug (Mini) with Lights
20	Fast Response
1C**	Manaplug (Mini) Single Sol. 5-pin, with Lights
1D**	Manaplug (Micro) Single Sol. 5-pin, with Lights
1G**	Manaplug (Mini) Single Sol. 5-pin, with Stroke Adjust 'A' & 'B' End and Lights
1H**	Manaplug (Micro) Single Sol. 5-pin, with Stroke Adjust 'A' & 'B' End and Lights
1M**	Manaplug Opposite Normal
1P	Painted Body
1R	Stroke Adjust 'A' & 'B' End with Pilot Choke Meter In
3A	Pilot Choke Meter Out
3B	Pilot Choke Meter In
3C	Pilot Pressure Reducer
3D	Stroke Adjust 'B' End
3E	Stroke Adjust 'A' End
3F	Stroke Adjust 'A' & 'B' End
3G*	Pilot Choke Meter Out with Lights
3H*	Pilot Choke Meter In with Lights
3J*	Pilot Pressure Reducer with Lights
3K	Pilot Choke Meter Out with Stroke Adjust 'A' & 'B' End
3L**	Pilot Choke Meter Out, Stroke Adjust 'A' & 'B' End with Lights and Manaplug — Brad Harrison Mini
3M	Pilot Choke Meter Out, Pilot Pressure Reducer, Stroke Adjust 'A' & 'B' End
3R	Pilot Choke Meter Out & Pilot Pressure Reducer
3S**	Lights, Mini Manaplug, Pilot Choke Meter Out
7Y**	M12x1 Manaplug (4-pin), Special Wiring, and Lights

* DESINA, plug-in conduit box, and DIN with plug styles only.

** Must have plug-in style conduit box.

Reference Data

Model	Spool Symbol	Maximum Flow, LPM (GPM) 345 Bar (5000 PSI) w/o Malfunction	Model	Spool Symbol	Maximum Flow, LPM (GPM) 345 Bar (5000 PSI) w/o Malfunction
D81V*001		624 (160)	D81V*008 D81V*009		312 (80)
D81V*002		624 (160)	D81V*011		624 (160)
D81V*003		624 (160)	D81V*012		312 (80)
D81V*004		624 (160)	D81V*014		312 (80)
D81V*005		624 (160)	D81V*015		624 (160)
D81V*006		624 (160)	D81V*016		624 (160)
D81V*007		312 (80)	D81V*020 D81V*030		624 (160)

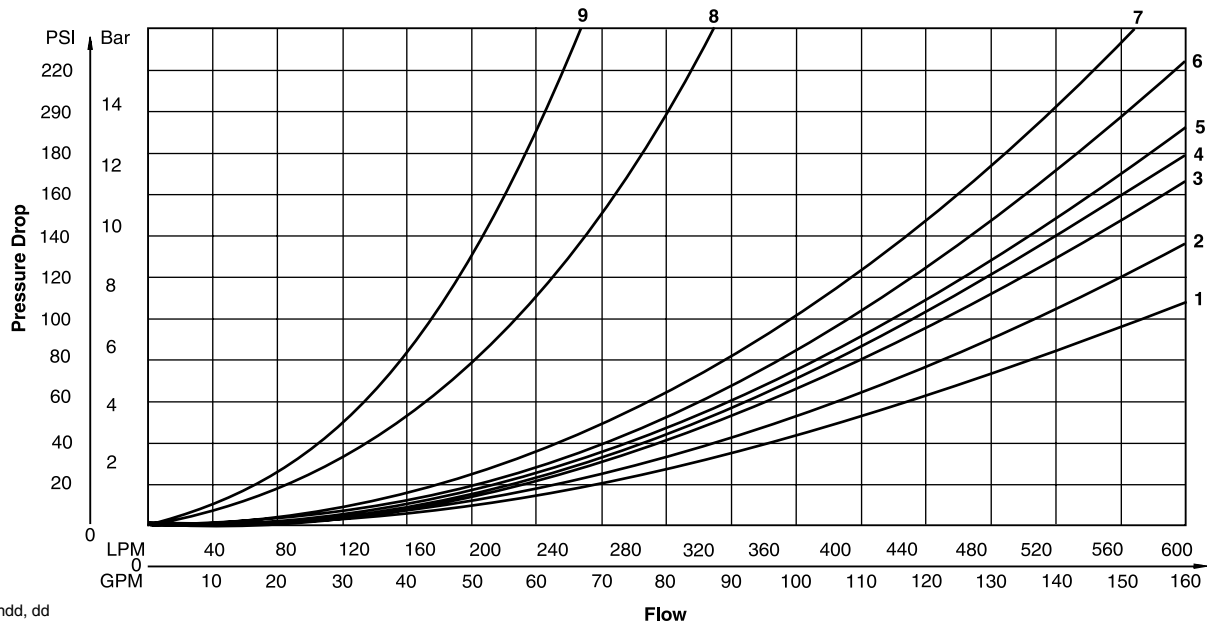
D81V* Series Pressure Drop Chart

The following chart provides the flow vs. pressure drop curve reference for the Series D81V* valve by spool type.

VISCOSITY CORRECTION FACTOR							
Viscosity (SSU)	75	150	200	250	300	350	400
% of ΔP (Approx.)	93	111	119	126	132	137	141
Curves were generated using 100 SSU hydraulic oil. For any other viscosity, pressure drop will change as per chart.							

D81VW Pressure Drop Reference Chart – Curve Number					
Spool No.	P-A	P-B	P-T	A-T	B-T
001	1	1	–	3	4
002	2	2	5	4	6
003	1	1	–	4	4
004	1	1	–	4	6
005	2	2	–	3	4
006	2	2	–	3	4
007	1	2	8	3	6
009	2	2	7	3	4
011	1	1	–	3	4
012	1	1	9	3	4
014	2	1	8	6	3
015	2	2	–	5	5
016	2	2	–	4	3
020/030	2	2	–	3	4

Performance Curves



D81.indd, dd

Solenoid Ratings

Insulation System	Class F
Allowable Deviation from rated voltage	-15% to +10% for DC and AC rectified coils -5% to +5% for AC Coils
Armature	Wet pin type
CSA File Number	LR60407
Environmental Capability	DC Solenoids meet NEMA 4 and IP67 when properly wired and installed. Contact HVD for AC coil applications.

Explosion Proof Solenoid Ratings*

U.L. & CSA (EU)	Class I, Div 1 & 2, Groups C & D Class II, Div 1 & 2, Groups E, F & G As defined by the N.E.C.
MSHA (EO)	Complies with 30CFR, Part 18
ATEX (ED)	Complies with ATEX requirements for: Exd, Group IIB; EN50014: 1999+ Amds. 1 & 2, EN50018: 2000
ATEX & CSA/US (ET)	Complies with ATEX EN60079-0, EN60079-1 Ex d IIC; CSA/US Ex d IIC, AEx d IIC for Class I, Zone 1, UL1203, UL1604, CSA E61241,1 Class II, Div 1

* Allowable Voltage Deviation ±10%.
 Note that Explosion Proof AC coils are single frequency only.

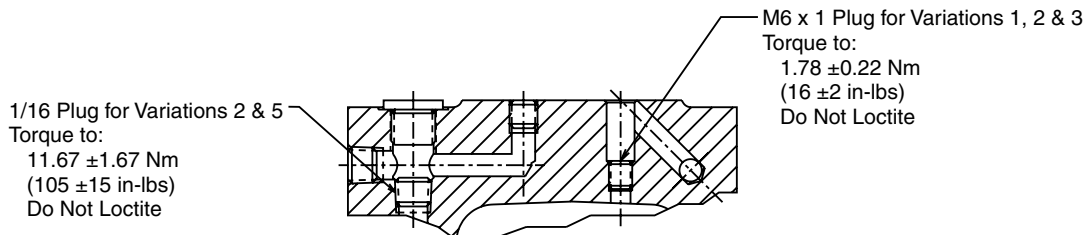
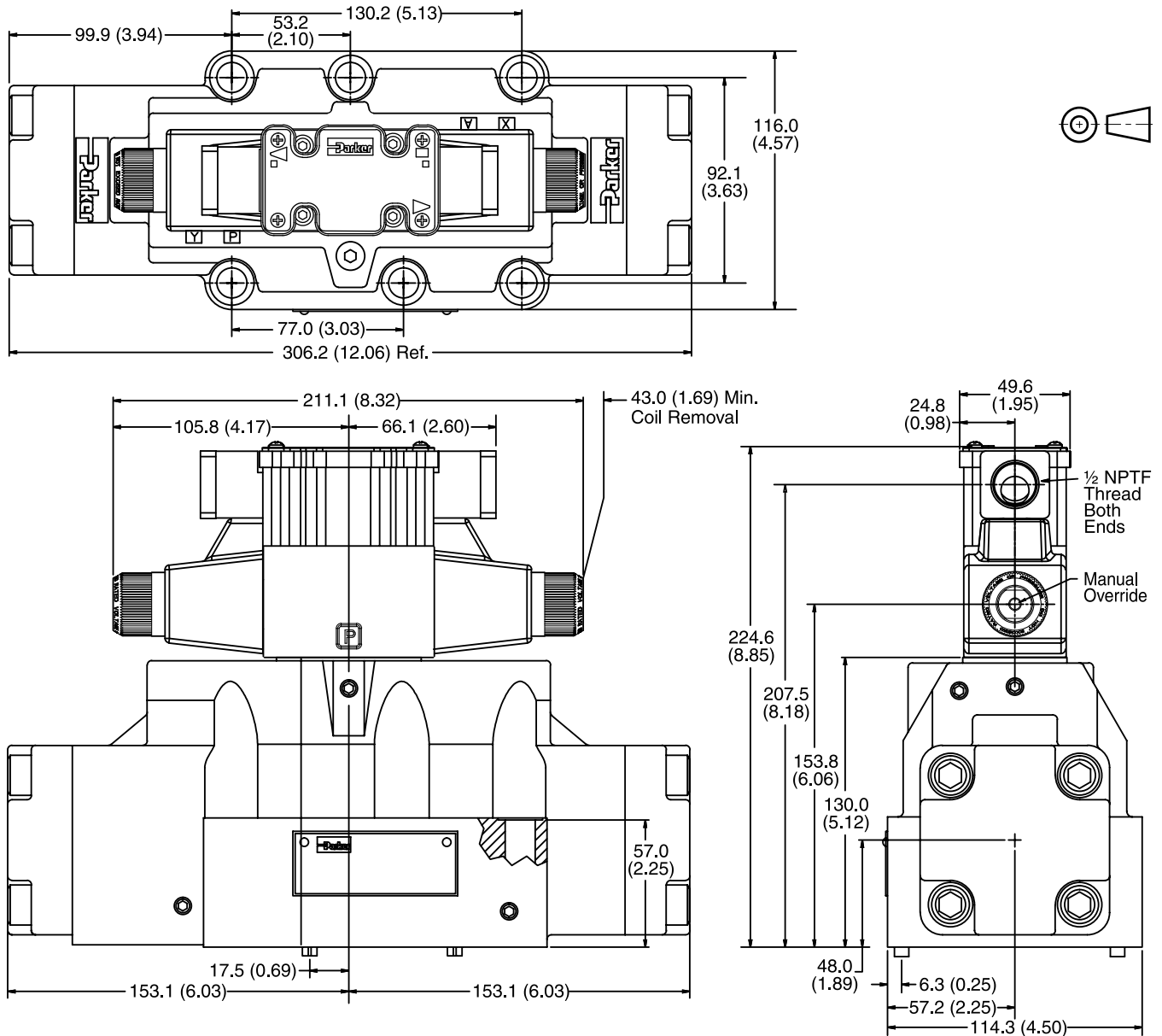
Code		Voltage	In Rush Amps Amperage	In Rush VA	Holding Amps @ 3MM	Watts	Resistance
Voltage Code	Power Code						
D	L	120 VDC	N/A	N/A	0.09 Amps	10 W	1584.00 ohms
D	Omit	120 VDC	N/A	N/A	0.26 Amps	30 W	528.00 ohms
G	Omit	198 VDC	N/A	N/A	0.15 Amps	30 W	1306.80 ohms
J	L	24 VDC	N/A	N/A	0.44 Amps	10 W	51.89 ohms
J	Omit	24 VDC	N/A	N/A	1.32 Amps	30 W	17.27 ohms
K	L	12 VDC	N/A	N/A	0.88 Amps	10 W	12.97 ohms
K	Omit	12 VDC	N/A	N/A	2.64 Amps	30 W	4.32 ohms
L	L	6 VDC	N/A	N/A	1.67 Amps	10 W	3.59 ohms
L	Omit	6 VDC	N/A	N/A	5.00 Amps	30 W	1.20 ohms
Q	Omit	100 VAC / 60 Hz	2.05 Amps	170 VA	0.77 Amps	30 W	19.24 ohms
QD	F	100 VAC / 60 Hz	1.35 Amps	135 VA	0.41 Amps	18 W	31.20 ohms
QD	F	100 VAC / 50 Hz	1.50 Amps	150 VA	0.57 Amps	24 W	31.20 ohms
R	F	24/60 VAC, Low Watt	6.67 Amps	160 VA	2.20 Amps	23 W	1.52 ohms
T	Omit	240/60 VAC	0.83 Amps	199 VA	0.30 Amps	30 W	120.40 ohms
T	Omit	220/50 VAC	0.87 Amps	191 VA	0.34 Amps	30 W	120.40 ohms
T	F	240/60 VAC, Low Watt	0.70 Amps	168 VA	0.22 Amps	21 W	145.00 ohms
T	F	220/50 VAC, Low Watt	0.75 Amps	165 VA	0.26 Amps	23 W	145.00 ohms
U	L	98 VDC	N/A	N/A	0.10 Amps	10 W	960.00 ohms
U	Omit	98 VDC	N/A	N/A	0.31 Amps	30W	288.00 ohms
Y	Omit	120/60 VAC	1.7 Amps	204 VA	0.60 Amps	30 W	28.20 ohms
Y	Omit	110/50 VAC	1.7 Amps	187 VA	0.68 Amps	30 W	28.20 ohms
Y	F	120/60 VAC, Low Watt	1.40 Amps	168 VA	0.42 Amps	21 W	36.50 ohms
Y	F	110/50 VAC, Low Watt	1.50 Amps	165 VA	0.50 Amps	23 W	36.50 ohms
Z	L	250 VDC	N/A	N/A	0.04 Amps	10 W	6875.00 ohms
Z	Omit	250 VDC	N/A	N/A	0.13 Amps	30 W	1889.64 ohms
Explosion Proof Solenoids							
R		24/60 VAC	7.63 Amps	183 VA	2.85 Amps	27 W	1.99 ohms
T		240/60 VAC	0.76 Amps	183 VA	0.29 Amps	27 W	1.34 ohms
N		220/50 VAC	0.77 Amps	169 VA	0.31 Amps	27 W	1.38 ohms
Y		120/60 VAC	1.60 Amps	192 VA	0.58 Amps	27 W	33.50 ohms
P		110/50 VAC	1.47 Amps	162 VA	0.57 Amps	27 W	34.70 ohms
K		12 VDC	N/A	N/A	2.75 Amps	33 W	4.36 ohms
J		24 VDC	N/A	N/A	1.38 Amps	33 W	17.33 ohms
"ET" Explosion Proof Solenoids							
K		12 VDC	N/A	N/A	1.00 Amps	12 W	12.00 ohms
J		24 VDC	N/A	N/A	1.00 Amps	13 W	44.30 ohms
Y		120/60-50 VAC	N/A	N/A	0.16 Amps	17 W	667.00 ohms

D81.indd, dd

Inch equivalents for millimeter dimensions are shown in (**)

Plug-in Conduit Box, Double AC Solenoid

A

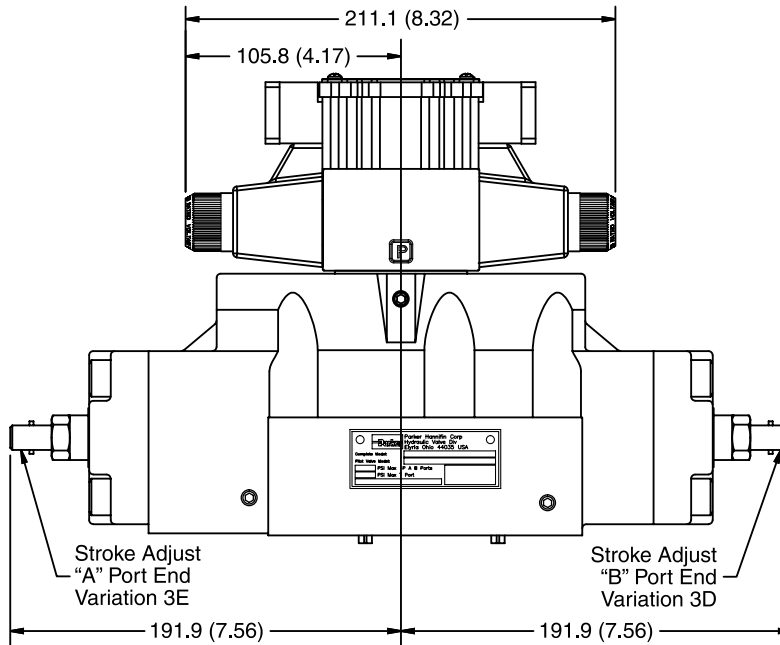


Note: 57mm (2.24") from bottom of bolt hole counterbore to bottom of valve.

Inch equivalents for millimeter dimensions are shown in (**)

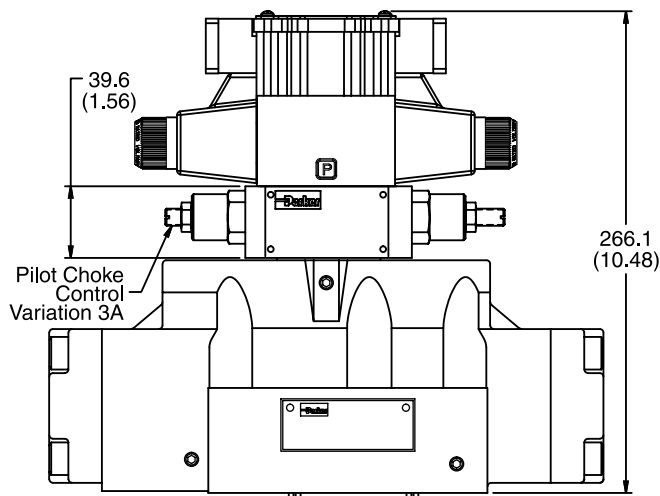
A

Conduit Box and Stroke Adjust, Double AC Solenoid

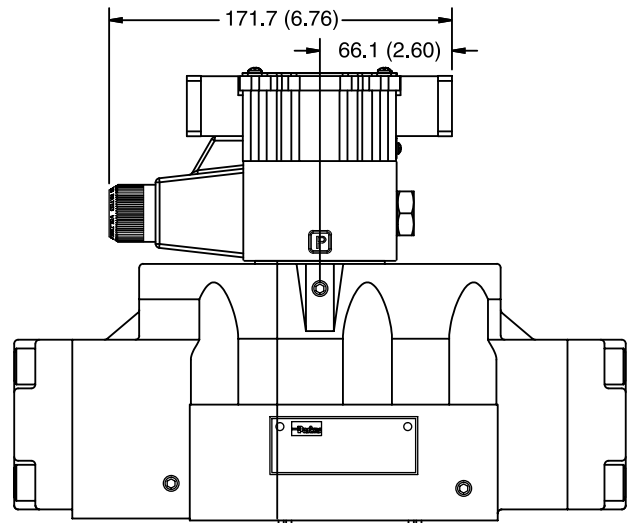


Note: 57mm (2.24") from bottom of bolt hole counterbore to bottom of valve.

**Conduit Box and Pilot Choke Control,
Double AC Solenoid**



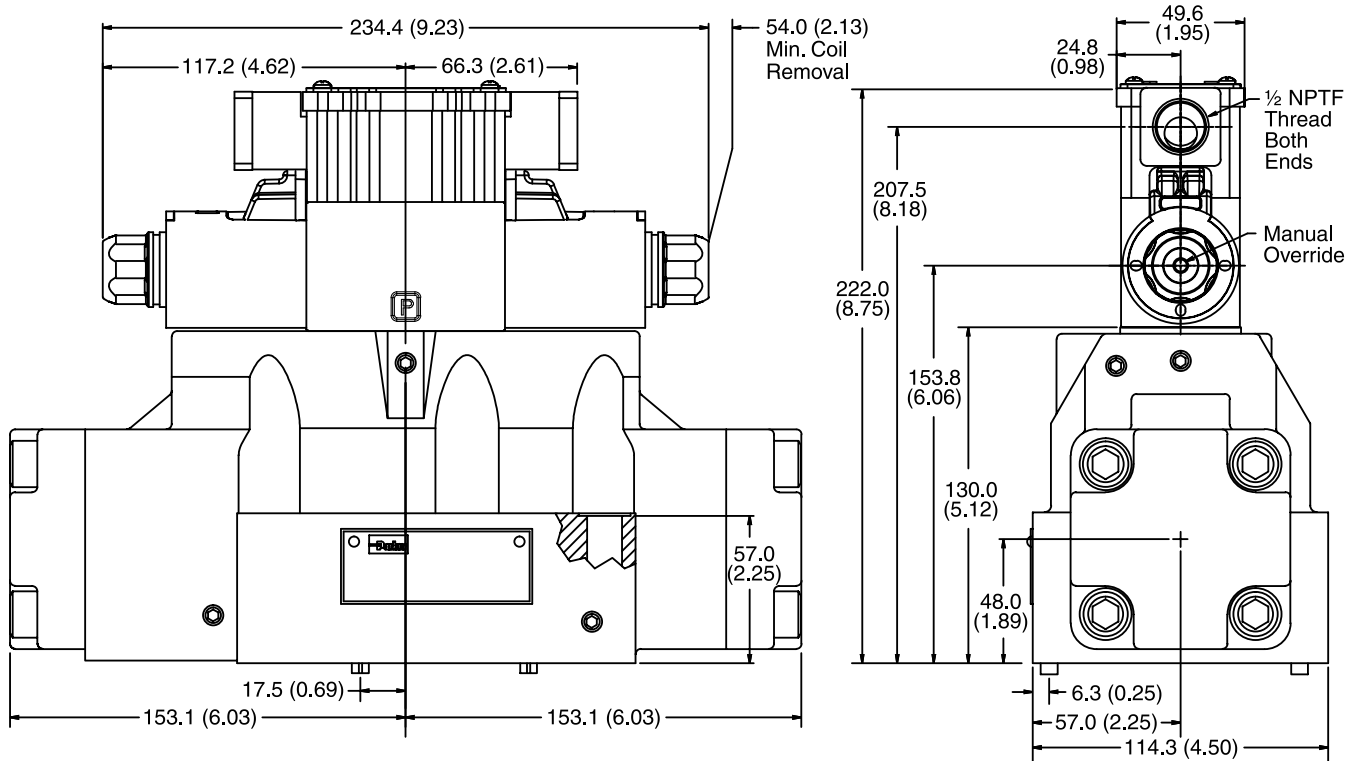
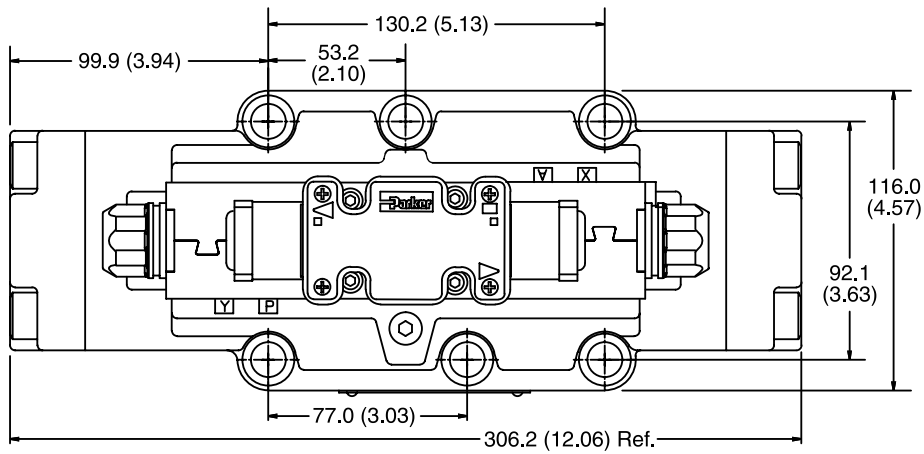
Conduit Box, Single AC Solenoid



Inch equivalents for millimeter dimensions are shown in (**)

Plug-In Conduit Box, Double DC Solenoid

A



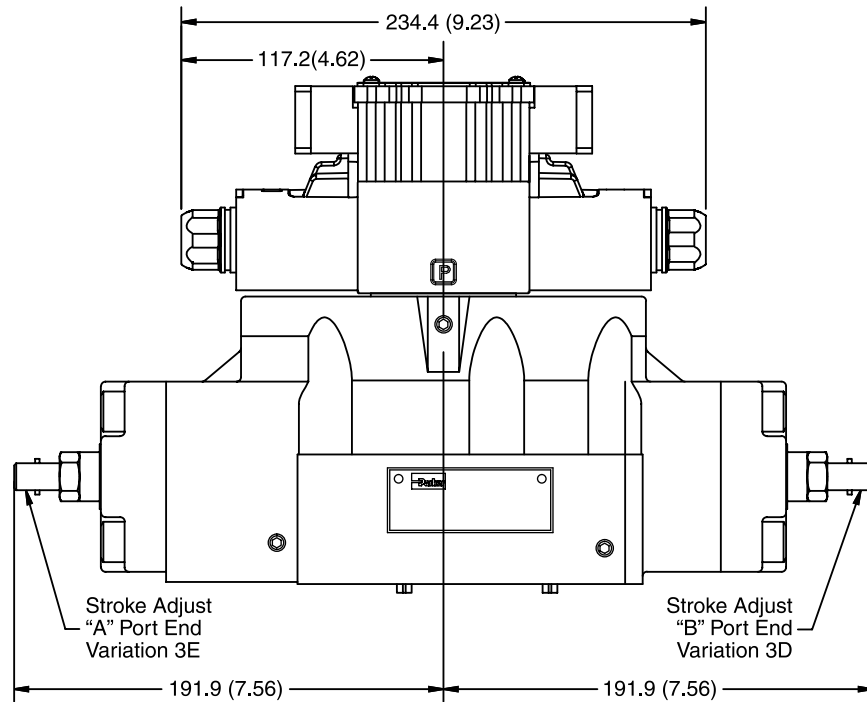
Note: 57mm (2.24") from bottom of bolt hole counterbore to bottom of valve.



Inch equivalents for millimeter dimensions are shown in (**)

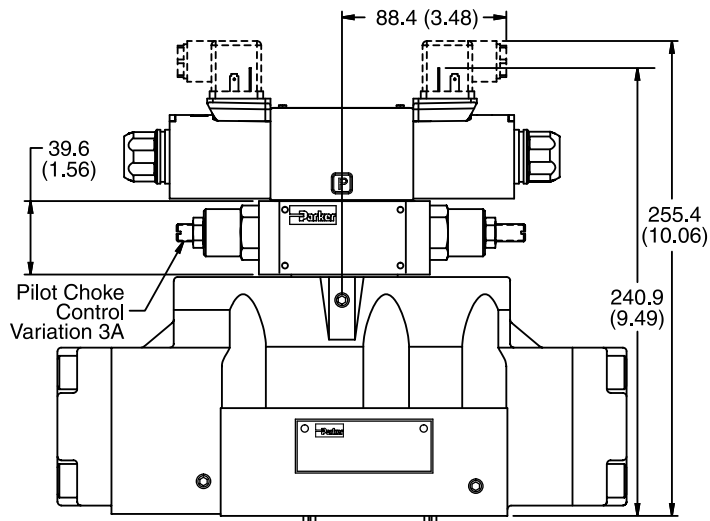
A

Plug-In Conduit Box and Stroke Adjust, Double DC Solenoid

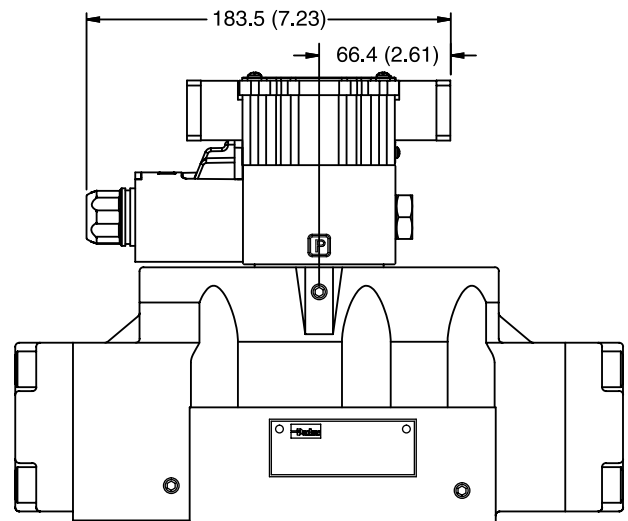


Note: 57mm (2.24") from bottom of bolt hole counterbore to bottom of valve.

**Hirschmann and Pilot Choke Control,
Double DC Solenoid**

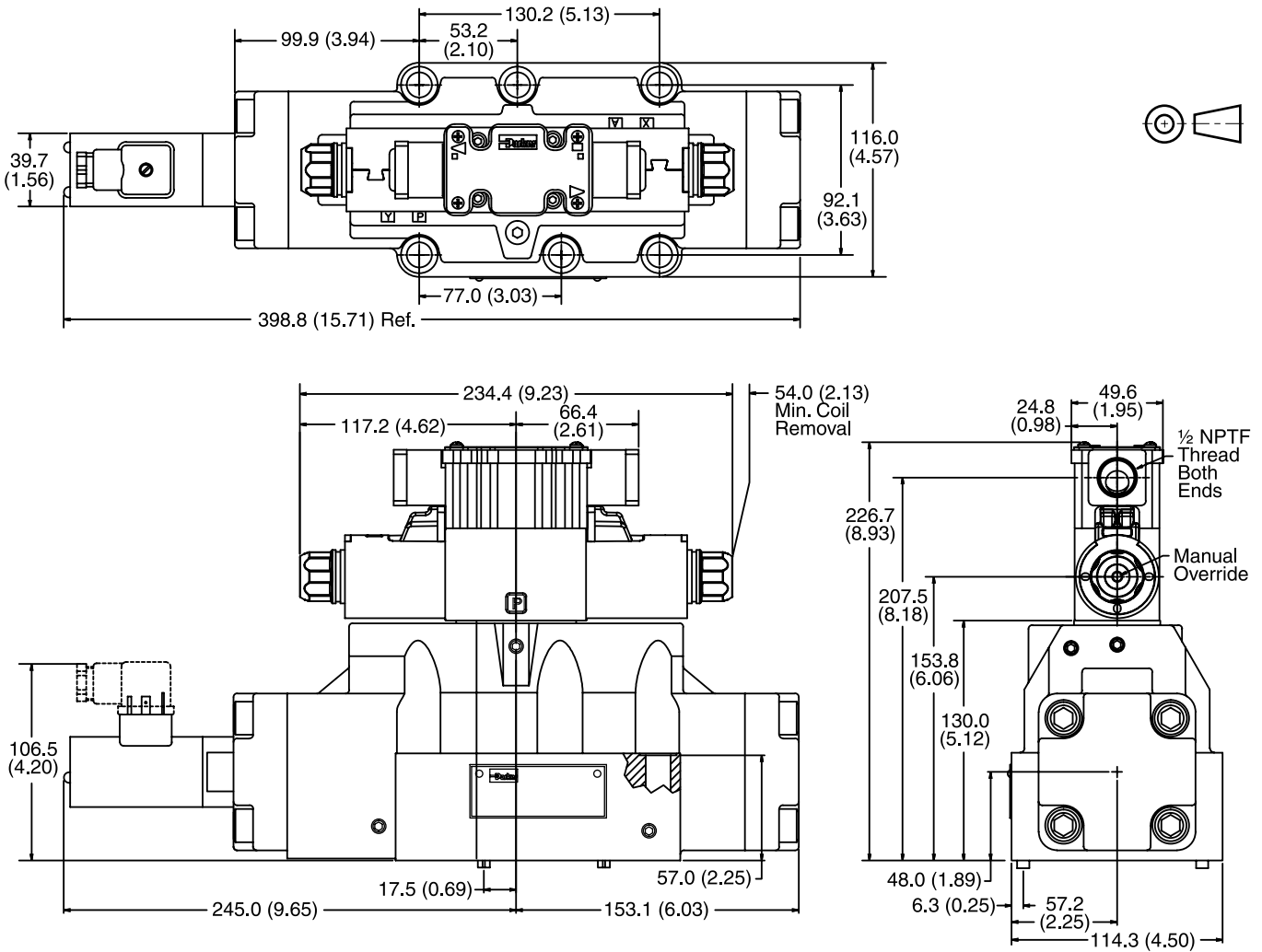


Plug-In Conduit Box, Single DC Solenoid



Inch equivalents for millimeter dimensions are shown in (**)

**Plug-In Conduit Box, Double AC Solenoid
with Variation I3 (Monitor Switch)**

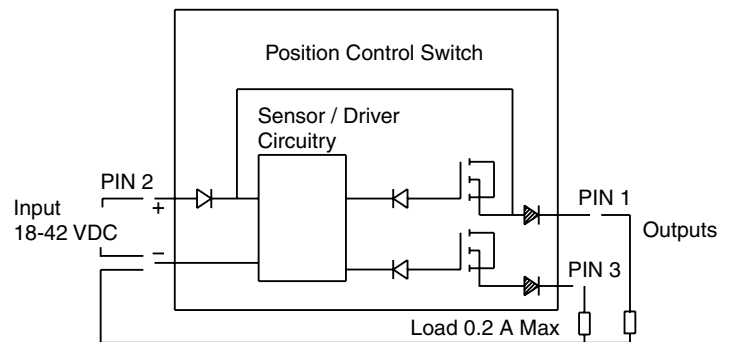


**Monitor Switch
(Variation I3 and I6)**

This feature provides for electrical confirmation of the spool shift. This can be used in safety circuits, to assure proper sequencing, etc.

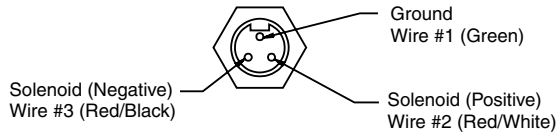
Switch Data

Pin 1 and Pin 3 have outputs equal to the input. When the monitor switch has the output to Pin 1, Pin 3 will have an output of zero, and vice-versa. When the valve is switched, Pin 1 and Pin 3 will switch outputs.



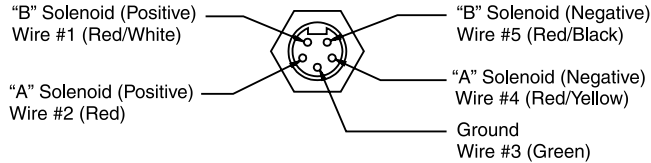
Manaplug (Options 56 & 1C)

- Interface – Brad Harrison Plug
- 3-Pin for Single Solenoid
 - 5-Pin for Double Solenoid



3-Pin Manaplug (Mini) with Lights

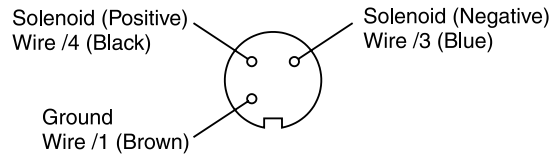
Single Solenoid Valves – Installed Opposite Side of Solenoid



5-Pin Manaplug (Mini) with Lights

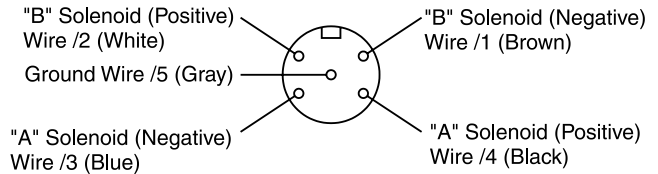
Single Solenoid Valves – Installed Opposite Side of Solenoid
 Double Solenoid Valves – Installed Over "A" Solenoid
 ("A" and "B" Solenoids Reversed for #8 and #9 Spools)

Micro Connector Options (7B & 1D)



3-Pin Manaplug (Micro) with Lights

Single Solenoid Valves – Installed Opposite Side of Solenoid



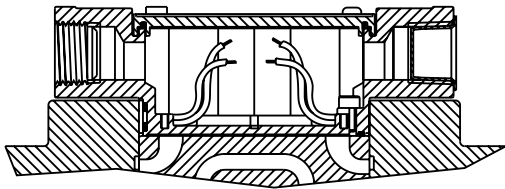
5-Pin Manaplug (Micro) with Lights

Single Solenoid Valves – Installed Opposite Side of Solenoid
 Double Solenoid Valves – Installed Over "A" Solenoid
 ("A" and "B" Solenoids Reversed for #8 and #9 Spools)

Pins are as seen on valve (male pin connectors)

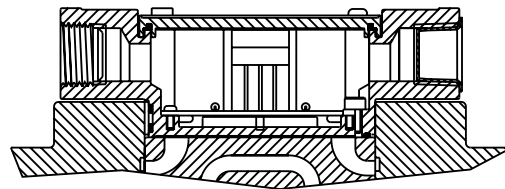
Conduit Box Option C

- No Wiring Options Available

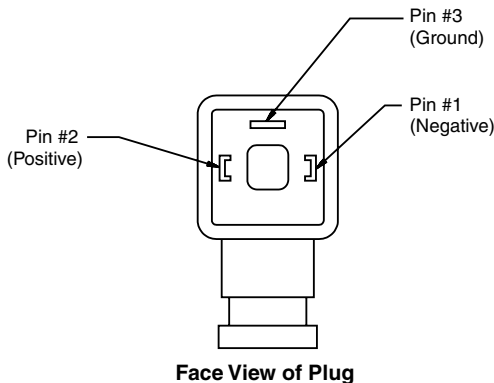


Signal Lights (Option 5) — Plug-in Only

- LED Interface
- Meets Nema 4/IP67

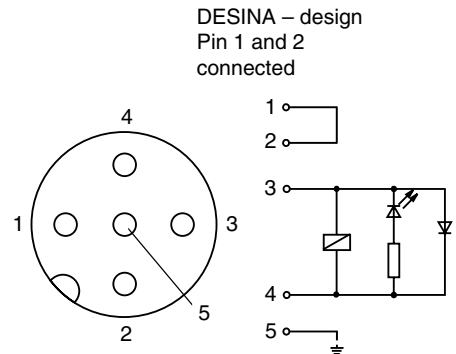


Hirschmann Plug with Lights (Option P5)
ISO 4400/DIN 43650 Form "A"



DESINA Connector (Option D)
M12 pin assignment
Standard

- 1 = Not used
- 2 = Not used
- 3 = 0V
- 4 = Signal (24 V)
- 5 = Earth Ground



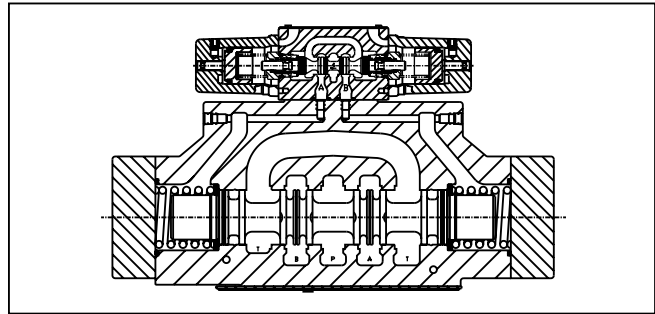
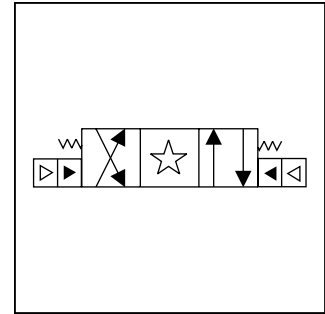
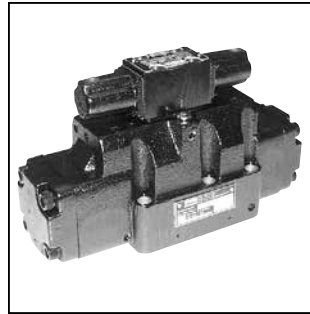
Pins are as seen on valve (male pin connectors)

General Description

Series D81VA directional control valves are 5-chamber, air pilot operated valves. They are available in 2 or 3-position styles. These valves are manifold or subplate mounted, and conform to NFPA's D08, CETOP 8 mounting pattern.

Specifications

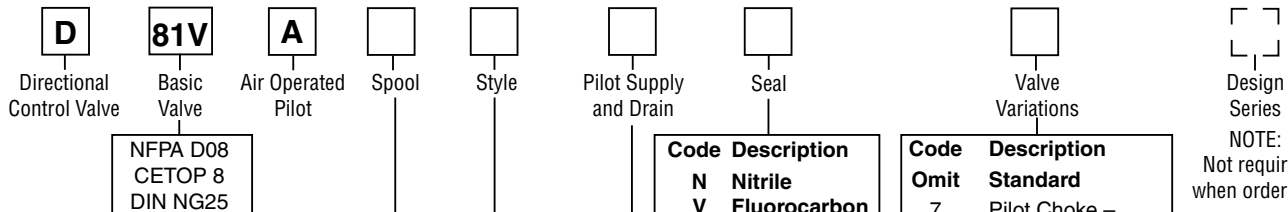
Mounting Pattern	NFPA D08 , CETOP 8, NG25
Max. Operating Pressure	345 Bar (5000 PSI)
Max. Tank Line Pressure	Internal Drain Model: 34 Bar (500 PSI) External Drain Model: 207 Bar (3000 PSI)
Max. Drain Pressure	34 Bar (500 PSI)
Maximum Flow	See Switching Limit Charts
Pilot Pressure	Air Min 3.4 Bar (50 PSI) Air Max 10.2 Bar (150 PSI)
Response Time	Varies with pilot line size and length, pilot pressure, pilot valve shift time & flow capacity (GPM)



Features

- Low pressure drop design.
- Fast response option available.
- Hardened spools provide long life.

Ordering Information



NOTE:
 Not required when ordering.

Code	Symbol	Code	Symbol
001		011	
002		012	
004		020*	
009**		030**	

* 020 spool has closed crossover.
 ** 009 & 030 spools have open crossover.

Valve schematic symbols are per NFPA/ANSI standards, providing flow P to A when energizing operator A. Note operators reverse sides for #9 spool. See installation information for details.

Valve Weight: Single Operated
 19.9 kg (43.9 lbs.)

Standard Bolt Kit: BK228

Metric Bolt Kit: BKM228

Code	Description
1	Int. pilot/Ext. drain
2	Ext. pilot/Ext. drain
4#	Int. pilot/Int. drain
5	Ext. pilot/Int. drain

Not available with 002, 008, 009 & 030 spools.

Code	Description
Omit	Standard
7	Pilot Choke – Meter Out
8	Stroke Adj. 'B' End
9	Stroke Adj. 'A' End
60	Pilot Choke – Meter In
89	Stroke Adj. 'A' & 'B' Ends
90	1/4 BSPP Threads

Code	Description	Symbol
B†	Sgl. operator, 2 position, spring offset. P to A and B to T in offset position.	
C	Dbl. operator, 3 position, spring centered.	
D†	Dbl. operator, 2 position, detent.	
E	Sgl. operator, 2 position, spring centered. P to B and A to T when energized.	
H†	Sgl. operator, 2 position, spring offset. P to B and A to T in offset position.	
K	Sgl. operator, 2 position. Spring centered. P to A and B to T when energized.	

This condition varies with spool code.

† Available with 020 & 030 spools only.

Bold: Designates Tier I products and options.

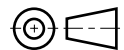
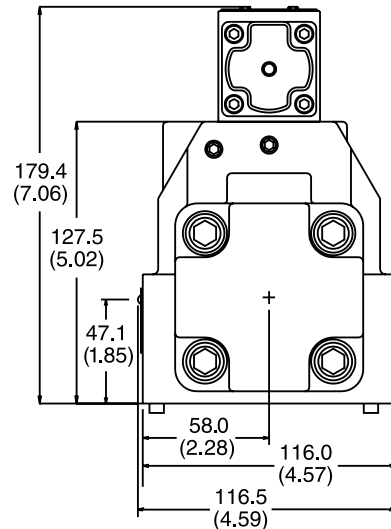
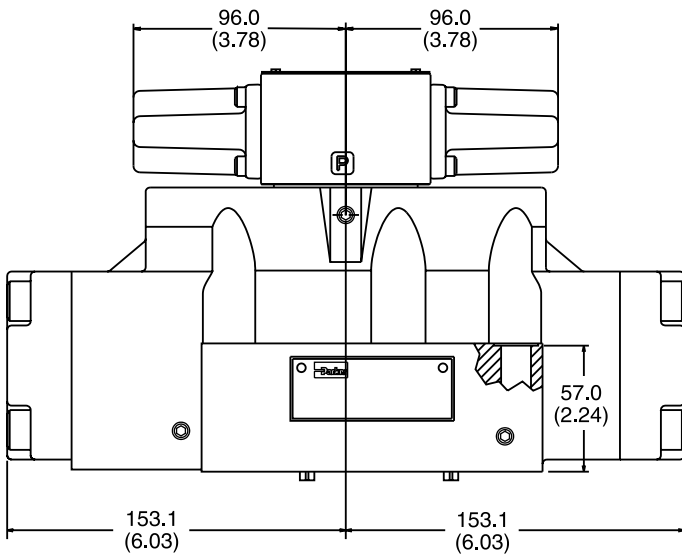
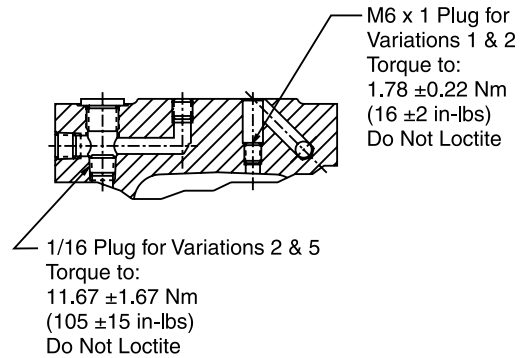
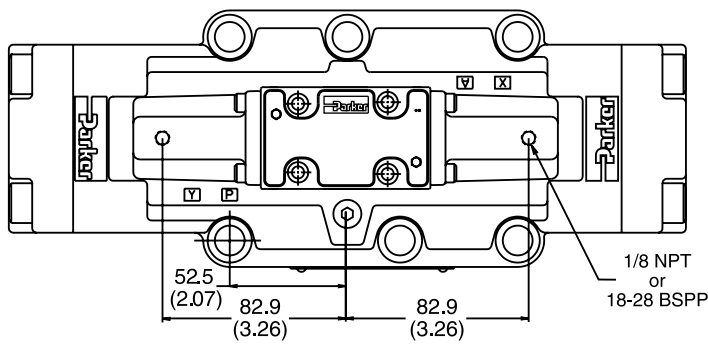
Non-bold: Designates Tier II products and options. These products will have longer lead times.

D81.indd, dd

Inch equivalents for millimeter dimensions are shown in (**)

A

Air Operated



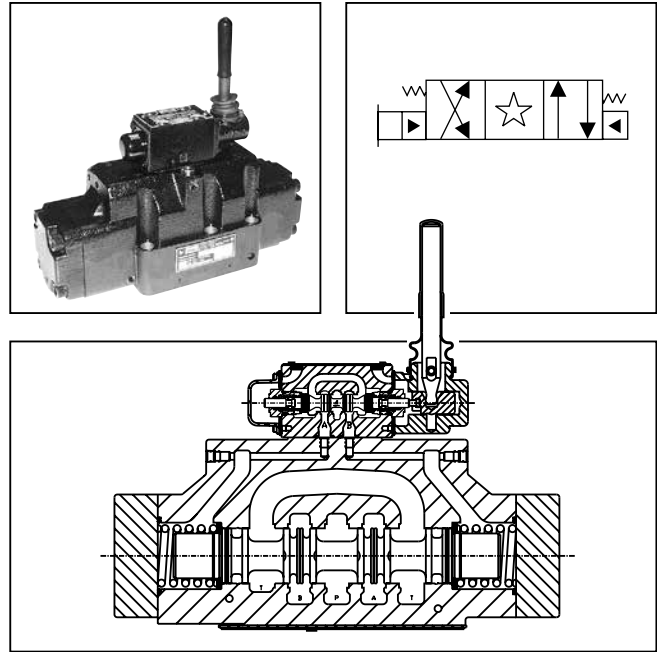
Note: 57mm (2.24") from bottom of bolt hole counterbore to bottom of valve.

General Description

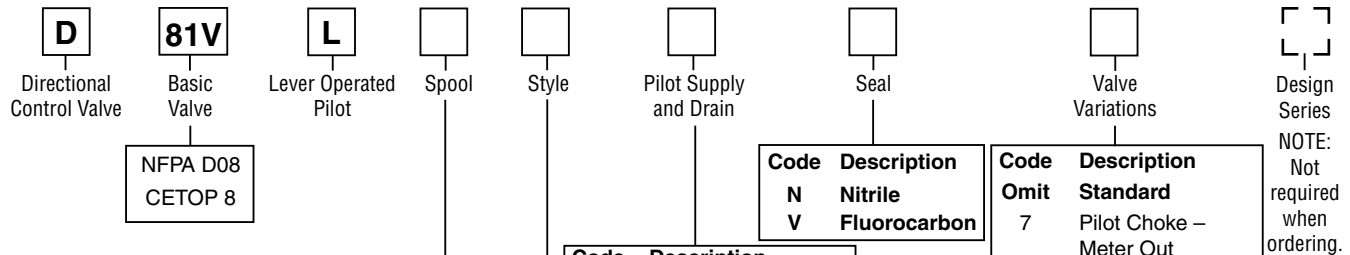
Series D81VL directional control valves are 5-chamber, lever operated valves. They are available in 2 or 3-position styles. These valves are manifold or subplate mounted, and conform to NFPA's D08, CETOP 8 mounting pattern.

Specifications

Mounting Pattern	NFPA D08, CETOP 8, NG25
Max. Operating Pressure	350 Bar (5000 PSI)
Max. Tank Line Pressure	Internal Drain Model 34 Bar (500 PSI) External Drain Model 350 Bar (5000 PSI)
Maximum Drain Pressure	34 Bar (500 PSI)
Maximum Flow	See Reference Data Charts
Pilot Pressure	Oil Min 6.9 Bar (100 PSI) Oil Max 350 Bar (5000 PSI)
Response Time	Varies with pilot line size and length, pilot pressure, pilot valve shift time & flow capacity (GPM)



Ordering Information



Code	Symbol	Code	Symbol
001		011	
002		012	
004		020*	
008*		030**	
009**			

* 008 & 020 spools have closed crossover.
 ** 009 & 030 spools have open crossover.

Valve schematic symbols are per NFPA/ANSI standards, providing flow P to A when energizing operator A. Note operators reverse sides for #9 spool. See installation information for details.

Valve Weight: 19.6 kg (43.2 lbs.)
Standard Bolt Kit: BK228
Metric Bolt Kit: BKM228

Code	Description
1	Int. pilot/Ext. drain
2	Ext. pilot/Ext. drain
4#	Int. pilot/Int. drain
5	Ext. pilot/Int. drain

Not available with 002, 008, 009 & 030 spools.

Code	Description
Omit	Standard
7	Pilot Choke – Meter Out
8	Stroke Adj. 'B'
9	Stroke Adj. 'A'
60	Pilot Choke – Meter In
89	Stroke Adj. 'A' & 'B'

Code	Description	Symbol
B†	Sgl. operator, 2 position, spring offset. P to A and B to T in offset position.	
C	Dbl. operator, 3 position, spring centered.	
D†	Dbl. operator, 2 position, detent.	
E	Sgl. operator, 2 position, spring centered. P to B and A to T in shifted position.	
H†	Sgl. operator, 2 position, spring offset. P to B and A to T in offset position.	
K	Sgl. operator, 2 position. Spring centered. P to A and B to T in shifted position.	

This condition varies with spool code.

† Available with 020 & 030 spools only.

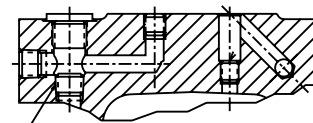
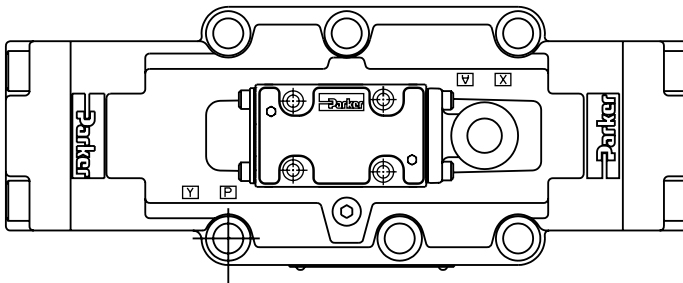
Bold: Designates Tier I products and options.

Non-Bold: Designates Tier II products and options. These products will have longer lead times.

Inch equivalents for millimeter dimensions are shown in (**)

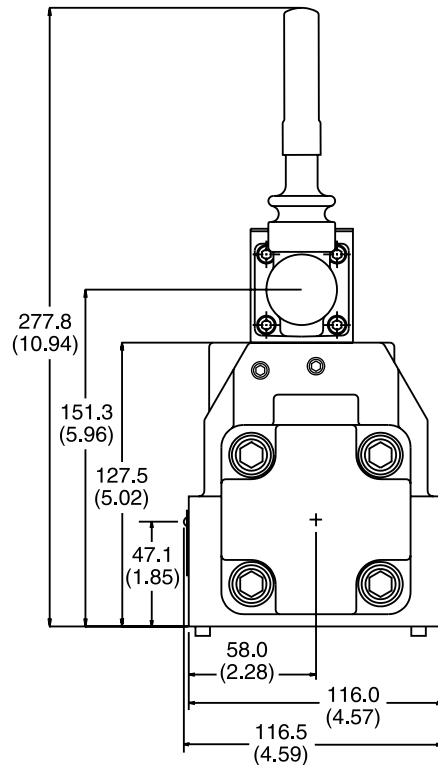
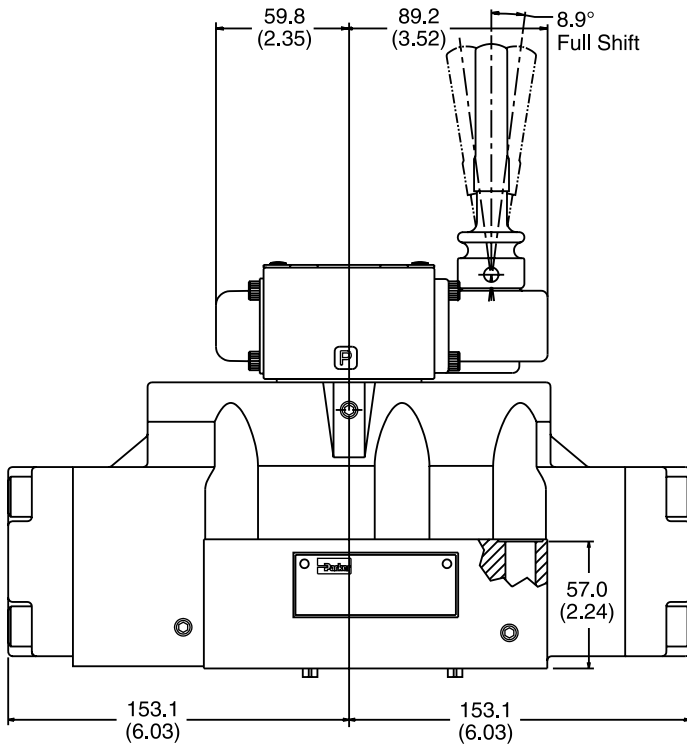
A

Lever Operated



M6 x 1 Plug for
Variations 1 & 2
Torque to:
1.78 ±0.22 Nm
(16 ±2 in-lbs)
Do Not Loctite

1/16 Plug for Variations 2 & 5
Torque to:
11.67 ±1.67 Nm
(105 ±15 in-lbs)
Do Not Loctite



Note: 57mm (2.24") from bottom of bolt hole counterbore to bottom of valve.

General Description

Series D8P directional control valves are 5-chamber, pilot operated valves. They are available in 2 or 3-position styles. These valves are manifold or sub-plate mounted, and conform to NFPA's D08, CETOP 8, NG25 mounting pattern.

Features

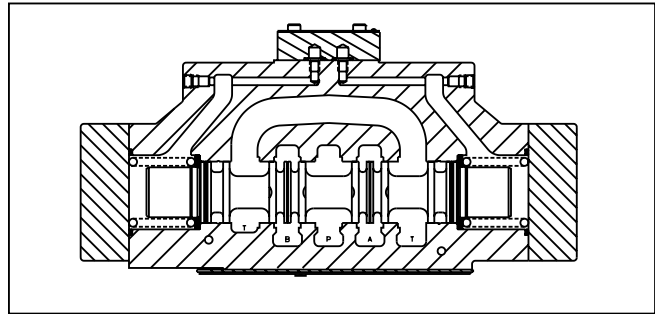
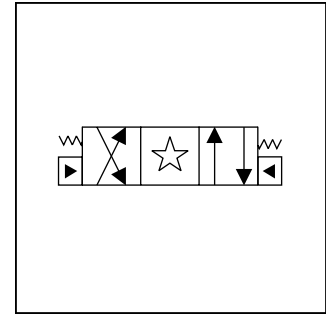
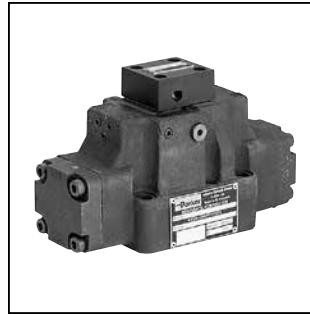
- Low pressure drop design.
- Hardened spools provide long life.

Specifications

Mounting Pattern	NFPA D08, CETOP 8, NG25
Max. Operating Pressure	345 Bar (5000 PSI)
Max. Tank Line Pressure	345 Bar (5000 PSI)
Max. Drain Pressure	345 Bar (5000 PSI)
Min. Pilot Pressure	5.1 Bar* (75 PSI)
Max. Pilot Pressure	345 Bar (5000 PSI)
Nominal Flow	302 LPM (80 GPM)
Max. Flow	See Reference Data Chart

* 6.9 Bar (100 PSI) for 2, 8, 9 & 12 spools

For flow path, pilot drain and pilot pressure details, see Installation Information.



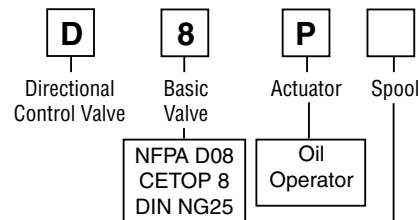
Response Time

Response time will vary with pilot line size, pilot line length, pilot pressure shift time and flow capacity of the control valve.

Shift Volume

The pilot chamber requires a volume of 1.35 in³ (22.1 cc) for center to end.

Ordering Information



NFPA D08
 CETOP 8
 DIN NG25

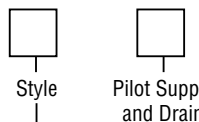
Oil
 Operator

Code	Symbol	Code	Symbol
1		11	
2		12	
4		20*	
7		30**	
9**			

* 20 spool has closed crossover.

** 9 & 30 spools have open crossover.

Valve schematic symbols are per NFPA/ANSI standards, providing flow P to A when energizing operator X. Note operators reverse sides for #9 spool. See installation information for details.



Code	Type
N	Nitrile
V	Fluorocarbon

Code	Description
7	Pilot Choke – Meter Out
8	Stroke Adj. 'B' End
9	Stroke Adj. 'A' End
60	Pilot Choke – Meter In
89	Stroke Adj. 'A' & 'B' Ends

Design Series
 NOTE:
 Not required when ordering.

Code	Description
2	Ext. Pilot / Ext. Drain
5#	Ext. Pilot / Int. Drain

Available in "B" and "H" style only.

Code	Description	Symbol
B†	Sgl. operator, 2 position, spring offset. P to A and B to T in offset position.	
C	Dbl. operator, 3 position, spring centered.	
H†	Sgl. operator, 2 position, spring offset. P to B and A to T in offset position.	

This condition varies with spool code.

† Available with 20 & 30 spools only.

Valve Weight: 18.9 kg (41.7 lbs.) **Standard Bolt Kit:** BK228 **Metric Bolt Kit:** BKM228

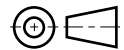
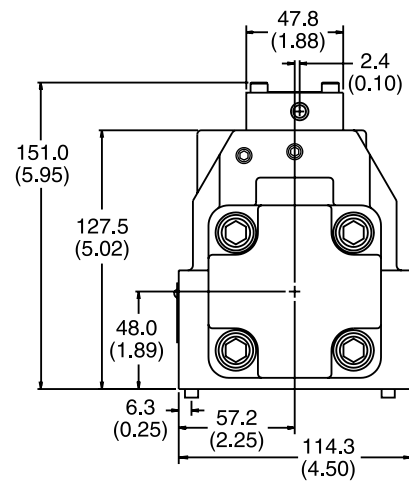
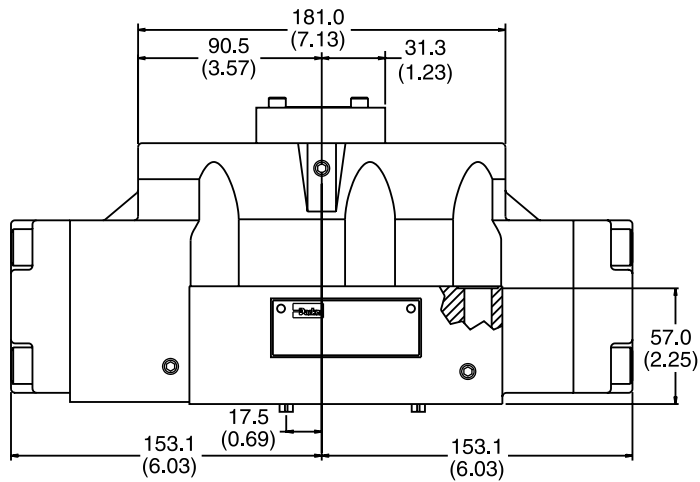
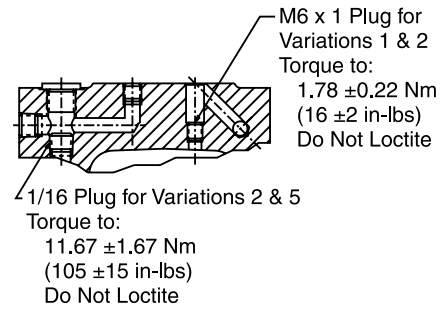
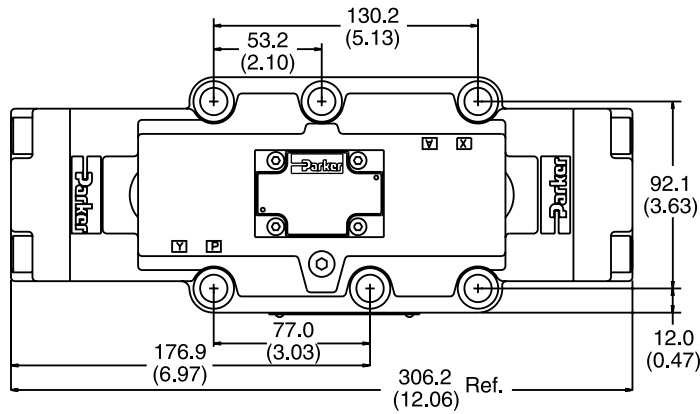
Bold: Designates Tier I products and options.

Non-Bold: Designates Tier II products and options. These products will have longer lead times.

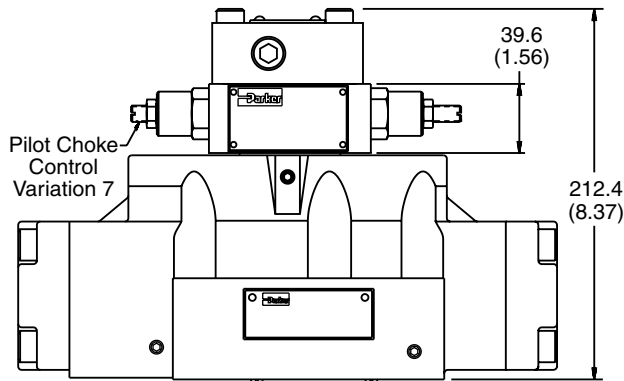
Inch equivalents for millimeter dimensions are shown in (**)

A

Standard Pilot Operated



Pilot Operated with Pilot Choke Control



Note: 57mm (2.24") from bottom of bolt hole counterbore to bottom of valve.

Installation Information

FOR MAXIMUM VALVE RELIABILITY, ADHERE TO THE FOLLOWING INSTALLATION INFORMATION.

The following is important installation information which applies to all directional control valves described in this catalog.

Mounting Position

Detent – Horizontal
Spring Offset – Unrestricted
Spring Centered – Unrestricted

Fluid Recommendations

Premium quality hydraulic oil with a viscosity range between 32-54 cSt. (150-250 SSU) At 38°C (100°F) is recommended. The absolute operating viscosity range is from 16-220 cSt. (80-1000 SSU). Oil should have maximum anti-wear properties and rust and oxidation treatment.

Fluids and Seals

Valves using synthetic, fire-resistant fluids require special seals. When phosphate esters or its blends are used, FLUOROCARBON seals are required. Water-glycol, water-in-oil emulsions and petroleum oil may be used with STANDARD seals.

Filtration

For maximum valve and system component life, the system should be protected from contamination at a level not to exceed 125 particles greater than 10 microns per milliliter of fluid (SAE class 4/ISO 16/13).

Silting

Silting can cause any sliding spool valve to stick and not spring return if held under pressure for long periods of time. The valve should be cycled periodically to prevent sticking.

Special Installations

Consult your Parker representative for any application requiring the following:

- Pressure above rating.
- Fluid other than those specified.
- Oil temperature above 71.1°C (160°F).
- Flow path other than normal.

Mounting Patterns

Series	NFPA	CETOP
D81V*, D8P	D08	3/4"

Torque Specifications

The recommended torque values for the bolts which mount the valve to the manifold or subplate are as follows: 135.6 Nm (100 ft-lbs).

Series D81VW, D81VA, D81VL

Tank and Drain Line Surges

If several valves are piped with a common tank or drain line, flow surges in the line may cause an unexpected spool shift. Detent style valves are most susceptible to this. Separate tank and drain lines should be piped in installations where line surges are expected.

Electrical Characteristics (Detented Spool)

Only a momentary energizing of the solenoid is necessary to shift and hold a detented spool. Minimum duration of the signal is 0.1 seconds for DC voltages. For AC voltages the response time is 0.06 seconds. Spool position will be held provided the spool centerline is in a horizontal plane, and not shock or vibration is present to displace the spool.

Electrical Failure or Loss of Pilot Pressure (D81V or D81VA)

Should electric power fail or loss of pilot pressure occur, spring offset and spring centered valves will shift to the spring held position. Detented valves will stay in the last position held before power failure. If main flow does not fail or stop at the same time power fails, machine actuators may continue to function in an undesirable manner or sequence.

Pilot/Drain Characteristics

Pilot Pressure:

5.1 to 345 Bar (75 to 5000 PSI)
 6.9 Bar (100 PSI) for spools 002, 007, 008, 009 & 014

External: An oil source sufficient to maintain minimum pilot pressure must be connected to the “X” port of the main body. When using the external pilot variation, a 1/16" pipe plug must be present in the main body pilot passage. (For details see Dimension pages.) This plug will be furnished in valves ordered with pilot code 2, 3, 5 or 6.

Internal: Flow is internally ported from the pressure port of the main valve body to the “P” port of the pilot valve. The pressure developed at the “P” port of the pilot valve must be 5.1 Bar (75 PSI) minimum at all times or 6.9 Bar (100 PSI) for spools 002, 007, 008, 009 & 014.

Integral Check: Valves using internal pilot and internal drain with an open center spool (spools 2, 7, 8 & 9) can be ordered with an integral check valve in the pressure port of the main valve codes 3 & 6. Pilot oil will be internally ported from the upstream side of this check to the “P” port of the pilot valve, ensuring sufficient pilot pressure. A 1/16" pipe plug will be present in the main body. The “X” port in the subplate must be plugged when using the integral check.

Pilot Valve Drain: Maximum pressure 102 Bar (1500 PSI) AC optional, 207 Bar (3000 PSI) DC standard.

External: When using an external drain, a M6 x 1 x 6mm long set screw must be present in the main body drain passage. (For details see Dimension pages.) This plug will be furnished in valves ordered with drain code 1, 2 or 3.

Drain flow from the pilot valve is at the “Y” port of the main body and must be piped directly to tank. Maximum drain line pressure is 102 Bar (1500 PSI), AC optional, 207 Bar (3000 PSI) DC standard. Any drain line back pressure is additive to the pilot pressure requirement.

Internal: Drain flow from the pilot valve is internally connected to the main valve tank port. Tank and drain pressure are then identical so tank line pressure should not exceed 102 Bar (1500 PSI) AC optional, 207 Bar (3000 PSI) DC standard. Any tank line back pressure is also additive to the pilot pressure requirement. If flow surges (a cause of pressure surges) are anticipated in the tank line, an external drain variation is recommended. The “Y” port in the subplate must be plugged when using an internal drain.

D81V* Flow Paths

Style Code	Description	No Solenoid/Operator Energized	Solenoid/Operator A Energized	Solenoid/Operator B Energized
B	Spring Offset	P→A and B→T	—	P→B and A→T
C	Spring Centered	Centered	P→A and B→T	P→B and A→T
D	Detented	Last Position Held	P→A and B→T	P→B and A→T
E	Spring Centered	Centered	—	P→B and A→T
F†	Spring Offset, Shift to Center	P→A and B→T	—	Centered
H	Spring Offset	P→B and A→T	P→A and B→T	—
K	Spring Centered	Centered	P→A and B→T	—
M†	Spring Offset, Shift to Center	P→B and A→T	Centered	—

† D81VW only.

D81.indd, dd

Series D8P

Tank and Drain Line Surges

If several valves are piped with a common tank or drain line, flow surges in the line may cause an unexpected spool shift. Detent style valves are most susceptible to this. Separate tank and drain lines should be piped in installations where line surges are expected.

Loss of Pilot Pressure

Should a loss of pilot pressure occur, spring offset and spring centered valves will shift to the spring held position. No spring valves will stay in the last position held. If main hydraulic flow does simultaneously stop, machine actuators may continue to function in an undesirable manner or sequence.

Pilot Drain Characteristics

Pilot Pressure:

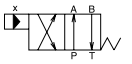
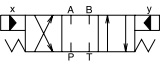
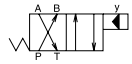
5.1 to 350 Bar (75 to 5000 PSI)
 6.9 Bar (100 PSI) for spools 2, 7, 8, 9 & 14

Direct pilot operated valves use the “X” and “Y” ports to supply pilot oil directly to the ends of the spool, providing spool shifting force. A block mounted on top of the valve body is internally cored to make the necessary connections. Thus when “X” is pressurized, “Y” is used as a drain; and when “Y” is pressurized, “X” becomes the drain.

Any back pressure in these lines when they are being used as a drain is additive to the pilot pressure requirement.

Internal Drain: On spring offset models, only the “X” port is pressurized, as the spring returns the spool to its at rest position. On these models, “Y” may be internally drained through the main tank passage in the valve.

Flow Path/Pilot Pressure

Style Code	Description	“X” & “Y” De-Pressurized	“X” Port Pressurized	“Y” Port Pressurized	Special Notes	Recommended Control Valve For Pilot Oil
B	Two Position Spring Offset	P→A, B→T	P→A, B→T	P→B, A→T	“X” Port may be pressurized to assist spring in returning spool to offset position (ext. only)	
C	Three Position Spring Centered	Center	P→A, B→T	P→B, A→T	Flow paths will be reversed on valves with tandem center (9) spools	
H	Two-Position Spring Offset	P→B, A→T	P→A, B→T	P→B, A→T	“Y” Port may be pressurized to assist spring in returning spool to offset position	

Subplate Mounting
NFPA D08, CETOP 8 & NG25

A

Recommended Mounting Surface

Surface must be flat within .102 mm (0.0004 inch) T.I.R and smooth within 812.8 micro-meters (32 micro-inch). Torque bolts to 135.6 Nm (100 ft-lbs).

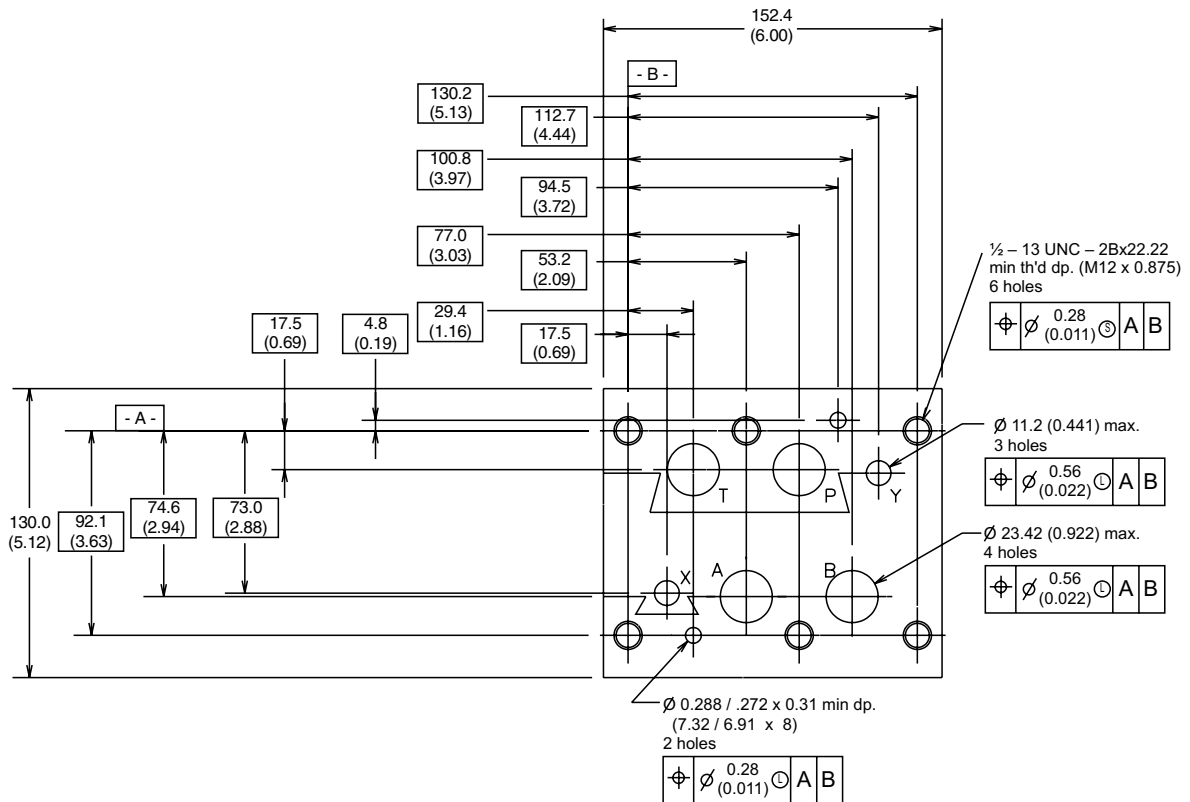
Mounting Position

Valve Type	Mounting Position
Detent (Solenoid)	Horizontal
Spring Offset	Unrestricted
Spring Centered	Unrestricted

For maximum valve reliability, adhere to the following installation information.

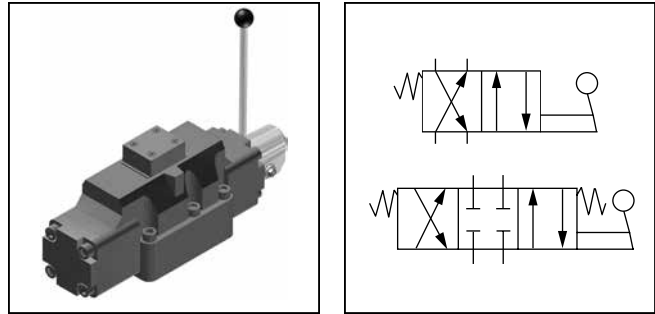
Mounting Pattern — NFPA D08, CETOP 8 & NG25

Inch equivalents for millimeter dimensions are shown in (**)



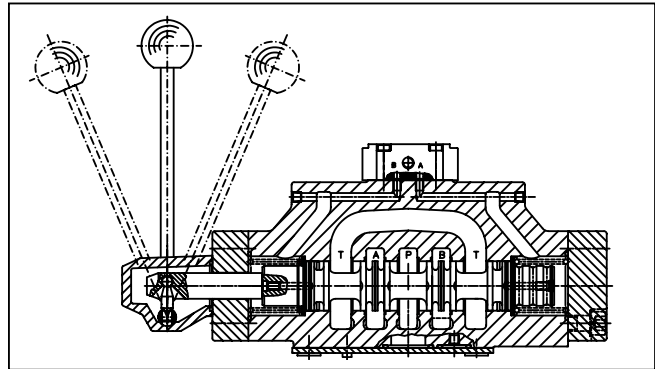
General Description

Series D9L directional control valves are 5-chamber, 4 way, 2 or 3-position valves. They are operated by a hand lever which is directly connected to the spool. The hand lever can be located either on the A or B side. Spring offset and detent designs are available.



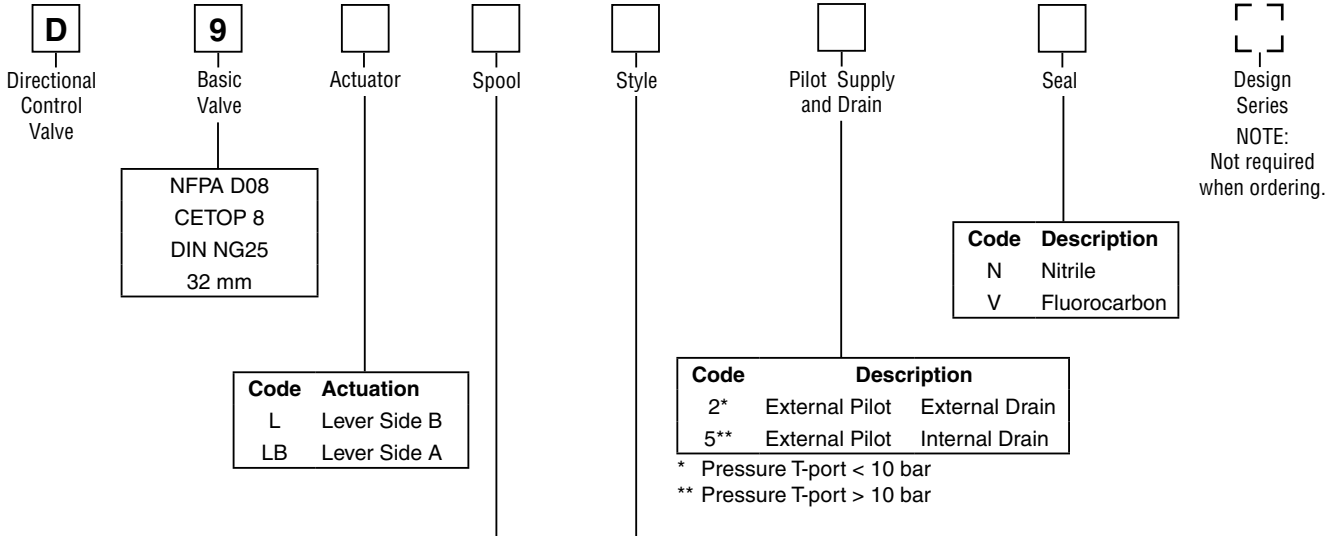
Features

- Streamlined internal channels ensure minimum pressure drop at maximum flow.
- Hardened spools provide long life.



Specifications

General		Hydraulic (cont.)	
Actuation	Lever	Fluid	Hydraulic oil in accordance with DIN 51524 / 51525
Size	NG25	Fluid Temperature	-25°C to +70°C (-13°F to +158°F)
Mounting Interface	DIN 24340 A25 ISO 4401 NFPA D08 CETOP RP 121-H	Viscosity Permitted	2.8 to 400 cSt / mm ² /s (13 to 1854 SSU)
Mounting Position	Unrestricted, preferably horizontal	Viscosity Recommended	30 to 80 cSt / mm ² /s (139 to 371 SSU)
Ambient Temperature	-25°C to +50°C (-13°F to +122°F)	Filtration	ISO 4406 (1999); 18/16/13 (meet NAS 1638: 7)
Hydraulic		Maximum Flow	700 LPM (185.2 GPM)
Maximum Operating Pressure	External Drain P, A, B, T 350 Bar (5075 PSI) X, Y 10 Bar (145 PSI) Internal Drain P, A, B 350 Bar (5075 PSI) T, X, Y 10 Bar (145 PSI)	Leakage at 350 Bar (5075 PSI)	up to 800 ml per minute (per flow path) (depending on spool)



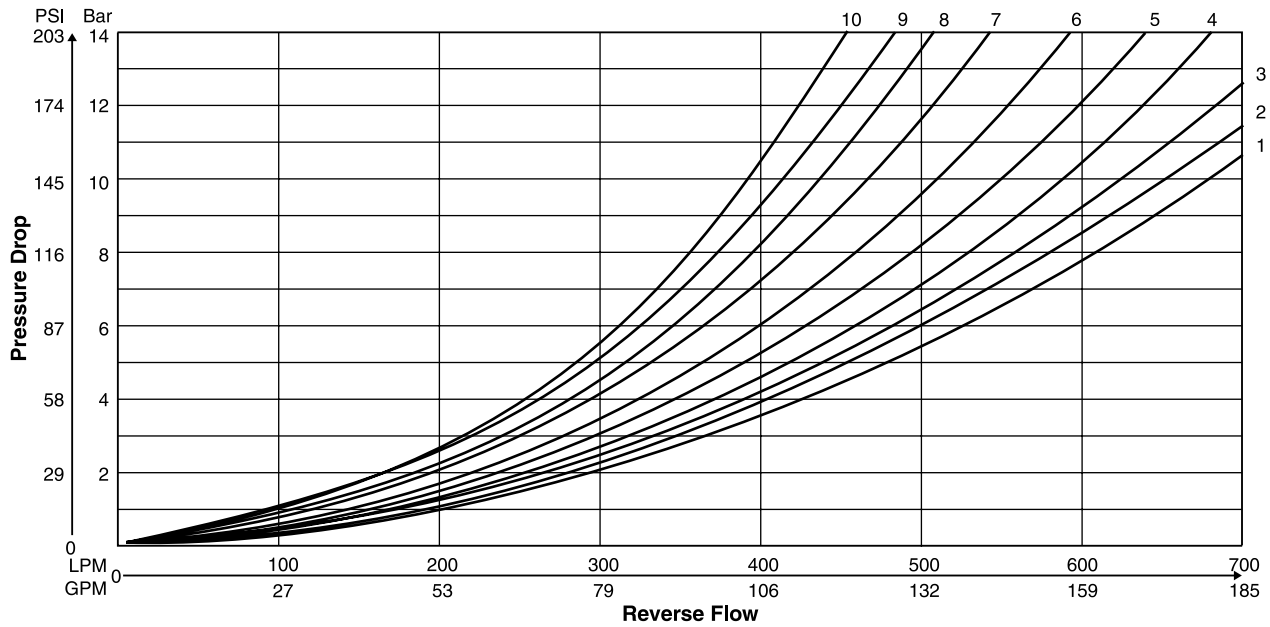
Code	Symbol	Code	Symbol
01		09	
02		14	
03		15	
04		20	
07		30	

Code	Description	Symbol
B	Single operator, 2 position, spring offset.	
C	Double operator, 3 position, spring centered.	
D	Double operator, 2 position, detent.	
E	Single operator, 2 position, spring centered.	
H	Single operator, 2 position, spring offset.	
K	Single operator, 2 position, spring centered.	
N	Double operator, 3 position, detent.	

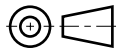
Weight: 17.0 kg (37.5 lbs.)

The flow curve diagram shows the flow versus pressure drop curves for all spool types. The relevant curve number for each spool type, operating position and flow direction is given in the table below.

Spool Code	Curve Number				
	P-A	P-B	P-T	A-T	B-T
1	3	2	-	3	5
2	2	1	1	3	5
3	4	2	-	3	6
4	4	3	-	3	5
7	3	1	7	3	5
9	4	8	9	4	10
14	1	3	7	5	3
15	2	4	-	5	3
20	6	5	-	6	8
30	3	2	-	3	5

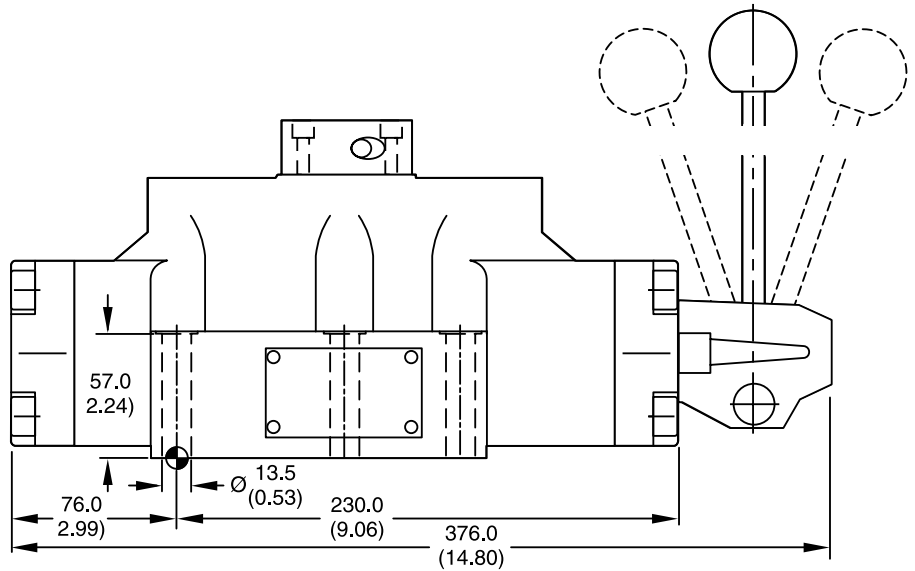
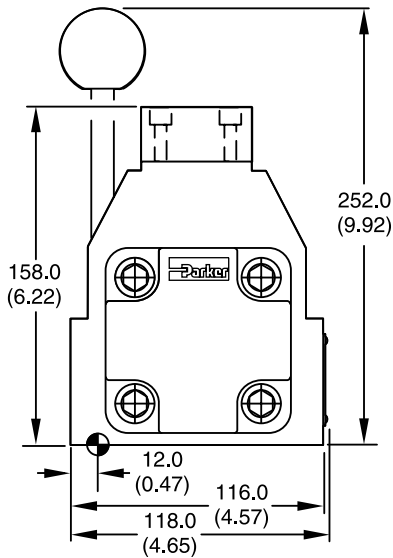


Inch equivalents for millimeter dimensions are shown in (**)

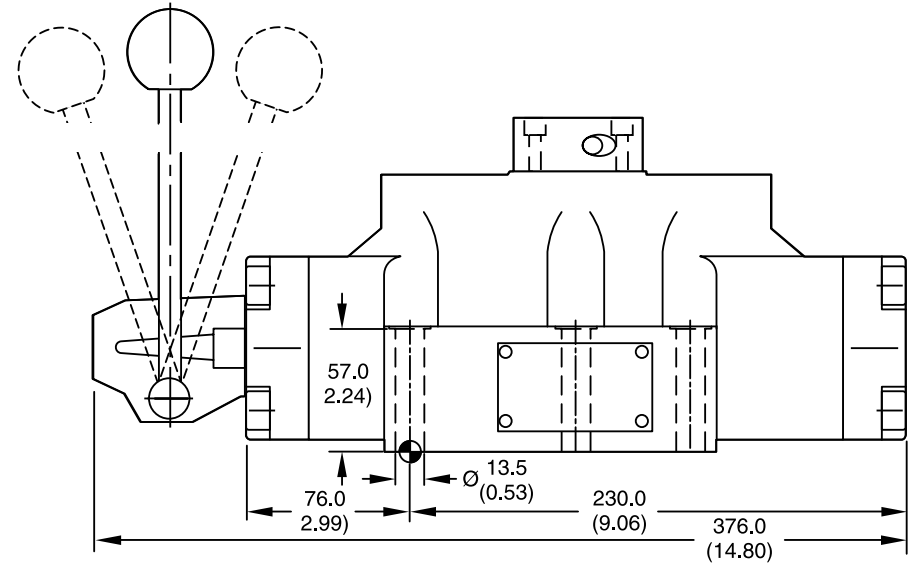
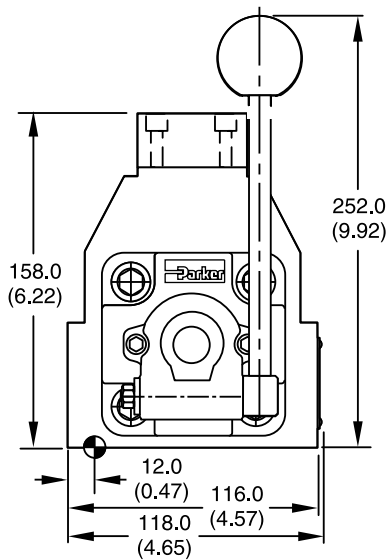


A

D9L



D9LB



Surface Finish	Kit			Seal Kit
	BK360	6x M5x75 DIN 912 12.9	108 Nm ±15%	Nitrile: SK-D9LN Fluorocarbon: SK-D9LV

A**Application**

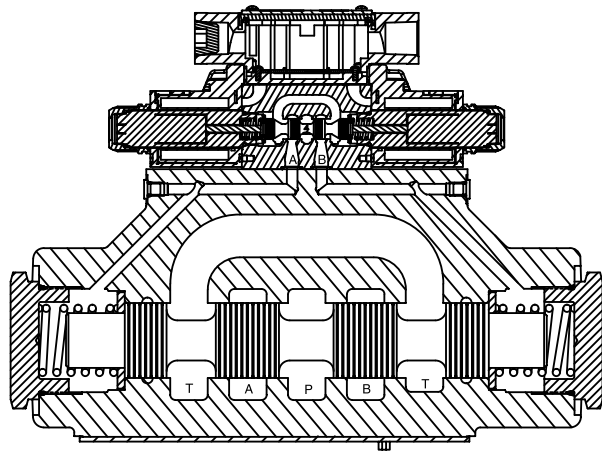
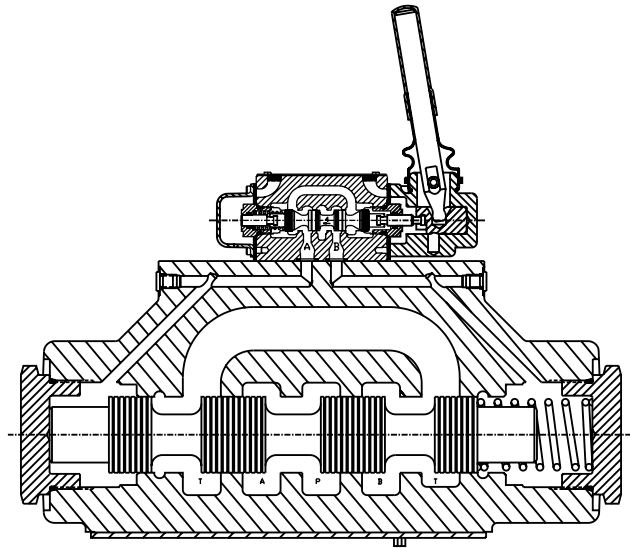
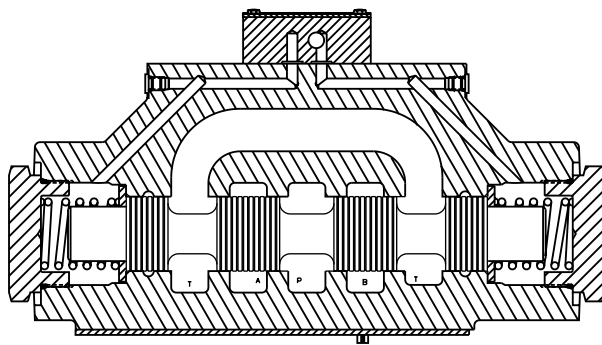
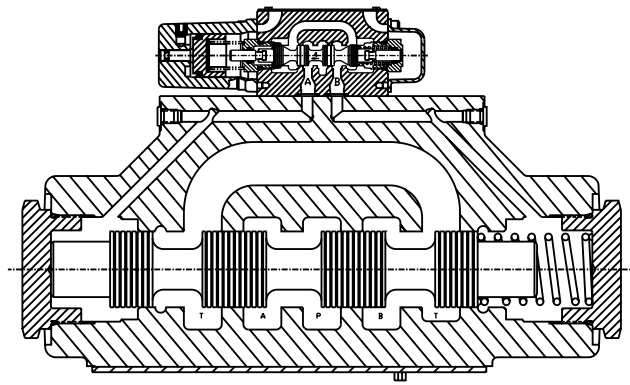
Series D101 hydraulic directional control valves are high performance, solenoid controlled, pilot operated, 2-stage, 4-way valves. They are available in 2 or 3-position styles and are manifold mounted. These valves conform to NFPA's D10, CETOP 10 mounting pattern.

Operation

Series D101 directional valves consist of a 5-chamber style main body, a case hardened sliding spool, and a pilot valve or pilot operators (hydraulic or pneumatic).

Features

- Easy access mounting bolts.
- 210 Bar (3000 PSI) pressure rating.
- Flows to 950 LPM (250 GPM) depending on spool.
- Choice of four operator styles.
- Rugged four land spools.
- Low pressure drop.
- Phosphate finish.

**D101VW Solenoid Operated Plug-in Conduit Box****D101VL Lever Operated****D101P Oil Pilot Operated****D101VA Air Pilot Operated**

General Description

Series D101V directional control valves are 5-chamber, pilot operated, solenoid controlled valves. They are available in 2 or 3-position styles. These valves are manifold or subplate mounted, and conform to NFPA's D10, CETOP 10 mounting pattern.





Operation

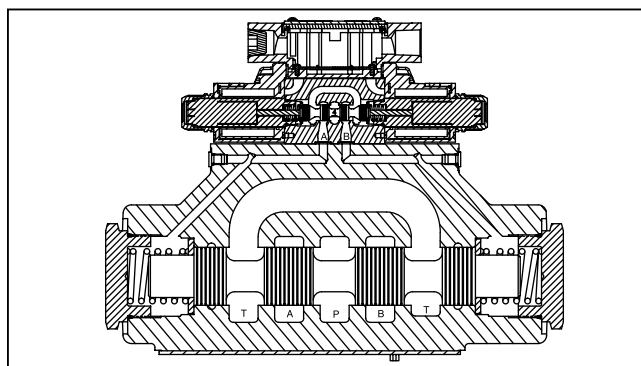
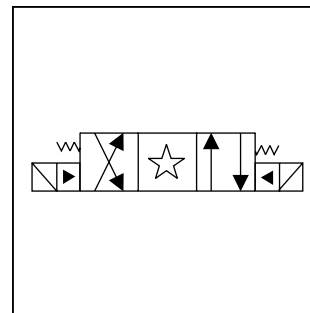
Series D101V pilot operated valves are standard with low shock spools and pilot orifice. The orifice can be removed if a faster shift is required. However, it is recommended that all systems operating above 138 Bar (2000 PSI) use the standard valve to avoid severe shock.

Features

- Low pressure drop design.
- Hardened spools provide long life.
- Fast response option available.
- Wide variety of voltags and electrical connection options.
- Explosion proof availability.
- No tools required for coil removal.

Specifications

Mounting Pattern	NFPA D10, CETOP 10, NG32
Maximum Operating Pressure	207 Bar (3000 PSI) Standard CSA  207 Bar (3000 PSI)
Maximum Tank Line Pressure	Internal Drain Model: 102 Bar (1500 PSI) AC Only 207 Bar (3000 PSI) DC Standard/AC Optional External Drain Model: 207 Bar (3000 PSI) CSA  102 Bar (1500 PSI)
Maximum Drain Pressure	102 Bar (1500 PSI) AC Only 207 Bar (3000 PSI) DC Standard/AC Optional CSA  102 Bar (1500 PSI)
Minimum Pilot Pressure	4.4 Bar (65 PSI)
Maximum Pilot Pressure	207 Bar (3000 PSI) Standard CSA  207 Bar (3000 PSI)
Nominal Flow	378 LPM (100 GPM)
Maximum Flow	See Reference Chart



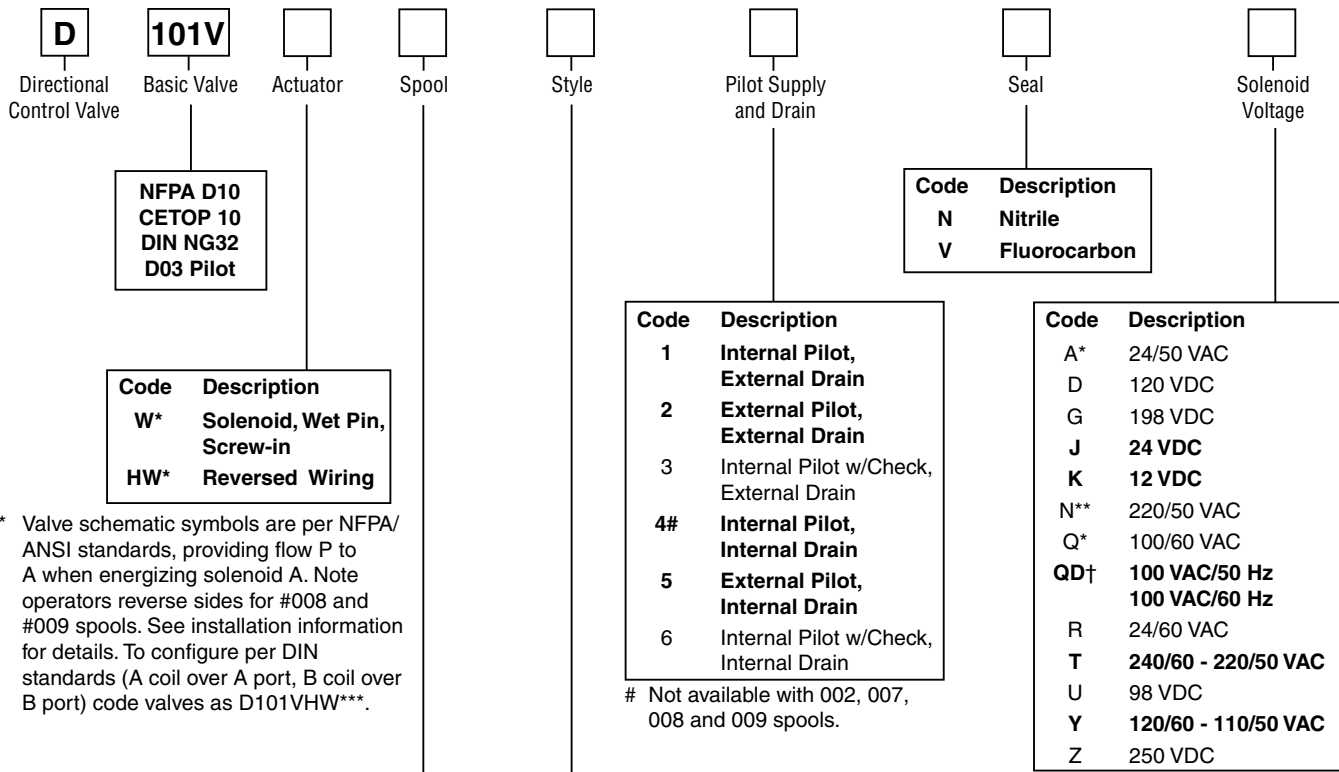
Response Time

Response times (milliseconds) are measured at 205 Bar (3000 PSI) and 416 LPM (110 GPM) with various pilot pressures as indicated.

Solenoid Type	Pilot Pressure	Pull-In		Drop-Out	
		Std	Fast	Std	Fast
DC	500	180	170	195	195
	1000	130	125	195	195
	2000	100	95	195	195
AC	500	140	130	185	185
	1000	90	85	185	185
	2000	60	55	185	185

Because of the high drain line pressure transients generated during shifting, use of the fast response option is not recommended for pilot pressures exceeding 205 Bar (2000 PSI).

A



* Valve schematic symbols are per NFPA/ANSI standards, providing flow P to A when energizing solenoid A. Note operators reverse sides for #008 and #009 spools. See installation information for details. To configure per DIN standards (A coil over A port, B coil over B port) code valves as D101VHW***.

Code	Symbol	Code	Symbol
001		006	
002		007	
003		008*	
004		009**	
005		011	

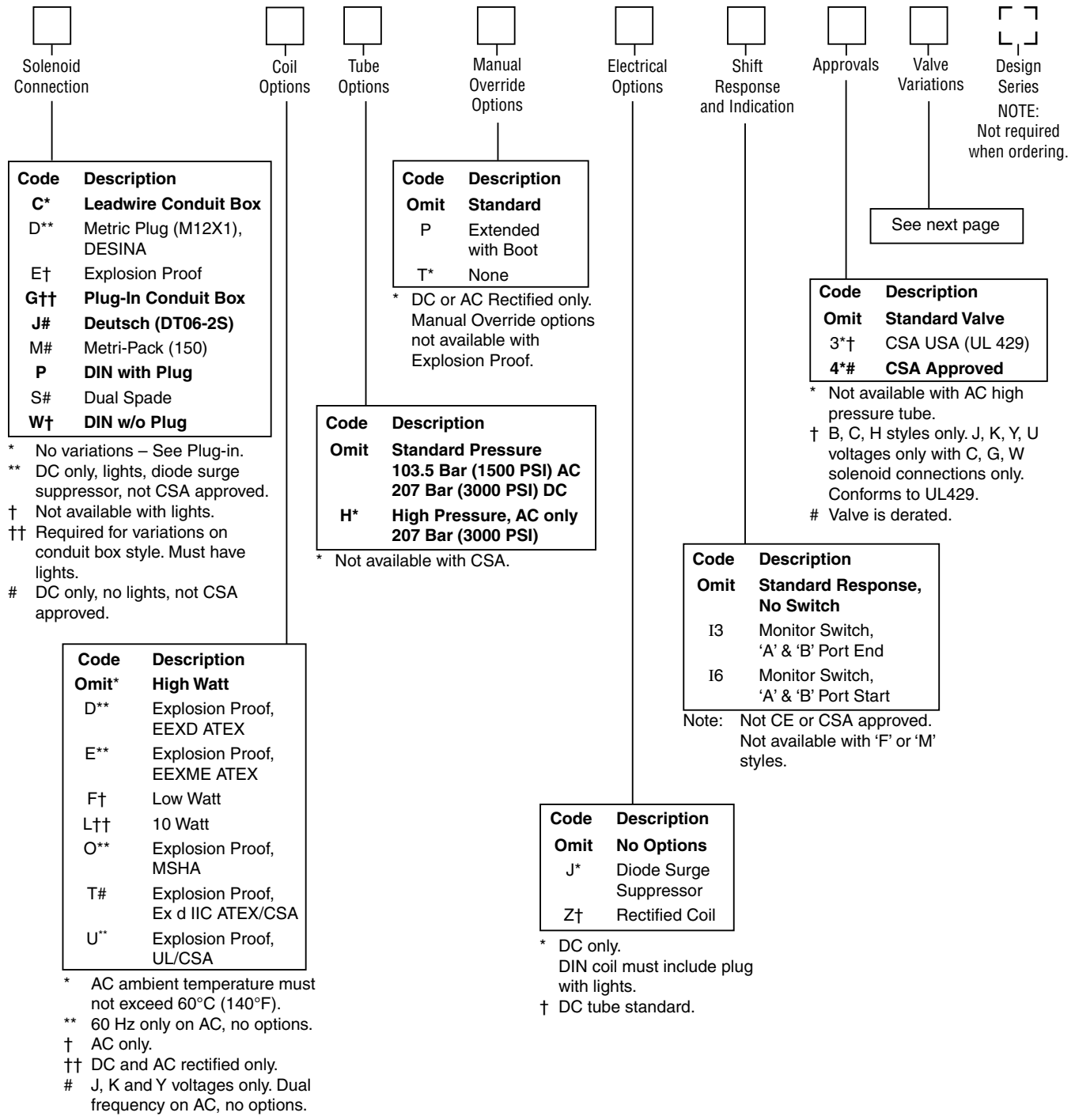
* 008 spool has closed crossover.
 ** 009 spool has open crossover.

Code	Description	Symbol
B*	Single solenoid, 2 position, spring offset. P to A and B to T in offset position.	
C	Double solenoid, 3 position, spring centered.	
D*	Double solenoid, 2 position, detent.	
E	Single solenoid, 2 position, spring centered. P to B and A to T when energized.	
F	Single solenoid, 2 position, spring offset, energized to center. Position spool spacer on A side. P to A and B to T in spring offset position.	
H*	Single solenoid, 2 position, spring offset. P to B and A to T in offset position.	
K	Single solenoid, 2 position, spring centered. P to A and B to T when energized.	
M	Single solenoid, 2 position, spring offset, energized to center position. Spool spacer on B side. P to B and A to T in spring offset position.	

* Available with 001, 002, 004 and 011 spools only.

Bold: Designates Tier I products and options.

Non-bold: Designates Tier II products and options. These products will have longer lead times.



Valve Weight:
 Double Solenoid 35.0 kg (77.1 lbs.)
Standard Bolt Kit: BK229
Seal Kit:
 Nitrile SKD101VWN91
 Fluorocarbon SKD101VWV91

Bold: Designates Tier I products and options.

Non-bold: Designates Tier II products and options. These products will have longer lead times.

Valve Variations

A

Code	Description
5*	Signal Lights – Standard
	Signal Lights – Hirsch. (DIN with Plug)
7B**	Manaplug – Brad Harrison (12x1) Micro with Lights
56**	Manaplug (Mini) with Lights
20	Fast Response
1C**	Manaplug (Mini) Single Sol. 5-pin, with Lights
1D**	Manaplug (Micro) Single Sol. 5-pin, with Lights
1G**	Manaplug (Mini) Single Sol. 5-pin, with Stroke Adjust 'A' & 'B' End and Lights
1H**	Manaplug (Micro) Single Sol. 5-pin, with Stroke Adjust 'A' & 'B' End and Lights
1M**	Manaplug Opposite Normal
1P	Painted Body
1R	Stroke Adjust 'A' & 'B' End with Pilot Choke Meter In
3A	Pilot Choke Meter Out
3B	Pilot Choke Meter In
3C	Pilot Pressure Reducer
3D	Stroke Adjust 'B' End
3E	Stroke Adjust 'A' End
3F	Stroke Adjust 'A' & 'B' End
3G*	Pilot Choke Meter Out with Lights
3H*	Pilot Choke Meter In with Lights
3J*	Pilot Pressure Reducer with Lights
3K	Pilot Choke Meter Out with Stroke Adjust 'A' & 'B' End
3L**	Pilot Choke Meter Out, Stroke Adjust 'A' & 'B' End with Lights and Manaplug — Brad Harrison Mini
3M	Pilot Choke Meter Out, Pilot Pressure Reducer, Stroke Adjust 'A' & 'B' End
3R	Pilot Choke Meter Out & Pilot Pressure Reducer
3S**	Lights, Mini Manaplug, Pilot Choke Meter Out
7Y**	M12x1 Manaplug (4-pin), Special Wiring, and Lights

* DESINA, plug-in conduit box, and DIN with plug styles only.

** Must have plug-in style conduit box.

Bold: Designates Tier I products and options.

Non-bold: Designates Tier II products and options. These products will have longer lead times.

Reference Data

Model	Spool Symbol	Maximum Flow, LPM (GPM) 205 Bar (3000 PSI) w/o Malfunction	Model	Spool Symbol	Maximum Flow, LPM (GPM) 205 Bar (3000 PSI) w/o Malfunction
D101V*001		946 (250)	D101V*006		946 (250)
D101V*002		946 (250)	D101V*007		303 (80)
D101V*003		946 (250)	D101V*008		492 (130)
D101V*004		946 (250)	D101V*009		
D101V*005		946 (250)	D101V*011		946 (250)

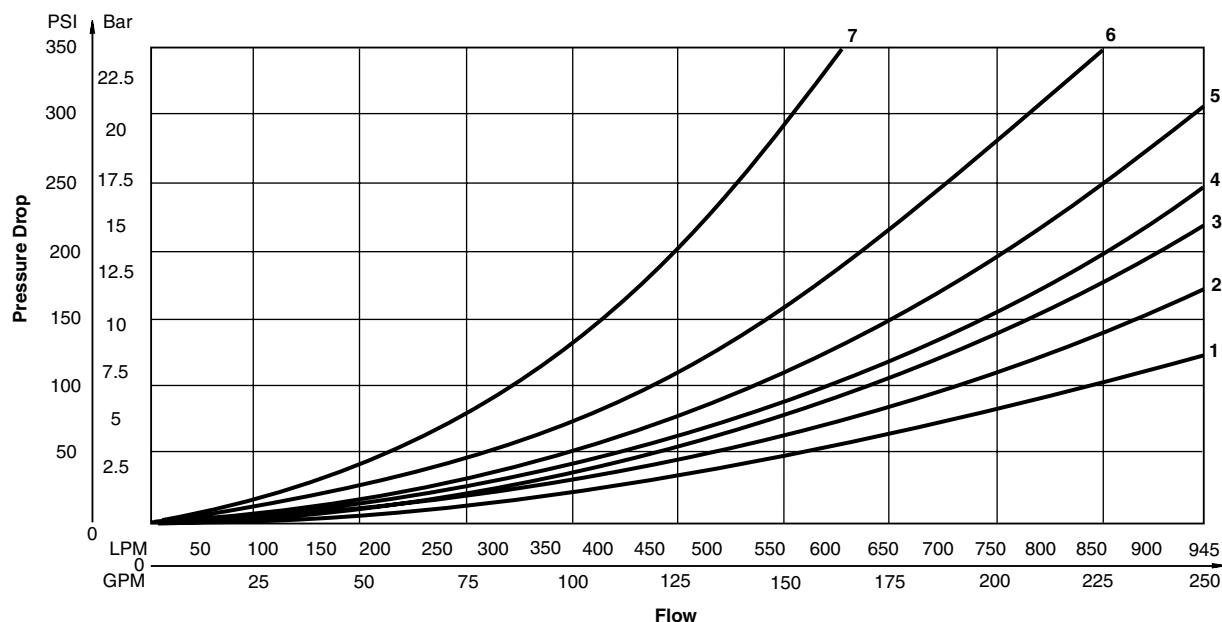
D101VW Series Pressure Drop Chart

The following chart provides the flow vs. pressure drop curve reference for the Series D101VW valve by spool type.

VISCOSITY CORRECTION FACTOR							
Viscosity (SSU)	75	150	200	250	300	350	400
% of ΔP (Approx.)	93	111	119	126	132	137	141
Curves were generated using 100 SSU hydraulic oil. For any other viscosity, pressure drop will change as per chart.							

D101VW Pressure Drop Reference Chart -- Curve Number					
Spool No.	P-A	P-B	P-T	A-T	B-T
001	4	4	-	2	3
002	3	3	3	1	2
003	4	4	-	1	3
004	4	4	-	1	2
005	3	4	-	2	3
006	3	3	-	2	3
007	4	3	7	2	2
008/009	5	5	6	2	3
011	4	4	-	2	3

Performance Curves



Solenoid Ratings

Insulation System	Class F
Allowable Deviation from rated voltage	-15% to +10% for DC and AC rectified coils -5% to +5% for AC Coils
Armature	Wet pin type
CSA File Number	LR60407
Environmental Capability	DC Solenoids meet NEMA 4 and IP67 when properly wired and installed. Contact HVD for AC coil applications.

Explosion Proof Solenoid Ratings*

U.L. & CSA (EU)	Class I, Div 1 & 2, Groups C & D Class II, Div 1 & 2, Groups E, F & G As defined by the N.E.C.
MSHA (EO)	Complies with 30CFR, Part 18
ATEX (ED)	Complies with ATEX requirements for: Exd, Group IIB; EN50014: 1999+ Amds. 1 & 2, EN50018: 2000
ATEX & CSA/US (ET)	Complies with ATEX EN60079-0, EN60079-1 Ex d IIC; CSA/US Ex d IIC, AEx d IIC for Class I, Zone 1, UL1203, UL1604, CSA E61241,1 Class II, Div 1

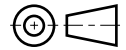
* Allowable Voltage Deviation ±10%.
 Note that Explosion Proof AC coils are single frequency only.

Code		Voltage	In Rush Amps Amperage	In Rush VA	Holding Amps @ 3MM	Watts	Resistance
Voltage Code	Power Code						
D	L	120 VDC	N/A	N/A	0.09 Amps	10 W	1584.00 ohms
D	Omit	120 VDC	N/A	N/A	0.26 Amps	30 W	528.00 ohms
G	Omit	198 VDC	N/A	N/A	0.15 Amps	30 W	1306.80 ohms
J	L	24 VDC	N/A	N/A	0.44 Amps	10 W	51.89 ohms
J	Omit	24 VDC	N/A	N/A	1.32 Amps	30 W	17.27 ohms
K	L	12 VDC	N/A	N/A	0.88 Amps	10 W	12.97 ohms
K	Omit	12 VDC	N/A	N/A	2.64 Amps	30 W	4.32 ohms
L	L	6 VDC	N/A	N/A	1.67 Amps	10 W	3.59 ohms
L	Omit	6 VDC	N/A	N/A	5.00 Amps	30 W	1.20 ohms
Q	Omit	100 VAC / 60 Hz	2.05 Amps	170 VA	0.77 Amps	30 W	19.24 ohms
QD	F	100 VAC / 60 Hz	1.35 Amps	135 VA	0.41 Amps	18 W	31.20 ohms
QD	F	100 VAC / 50 Hz	1.50 Amps	150 VA	0.57 Amps	24 W	31.20 ohms
R	F	24/60 VAC, Low Watt	6.67 Amps	160 VA	2.20 Amps	23 W	1.52 ohms
T	Omit	240/60 VAC	0.83 Amps	199 VA	0.30 Amps	30 W	120.40 ohms
T	Omit	220/50 VAC	0.87 Amps	191 VA	0.34 Amps	30 W	120.40 ohms
T	F	240/60 VAC, Low Watt	0.70 Amps	168 VA	0.22 Amps	21 W	145.00 ohms
T	F	220/50 VAC, Low Watt	0.75 Amps	165 VA	0.26 Amps	23 W	145.00 ohms
U	L	98 VDC	N/A	N/A	0.10 Amps	10 W	960.00 ohms
U	Omit	98 VDC	N/A	N/A	0.31 Amps	30W	288.00 ohms
Y	Omit	120/60 VAC	1.7 Amps	204 VA	0.60 Amps	30 W	28.20 ohms
Y	Omit	110/50 VAC	1.7 Amps	187 VA	0.68 Amps	30 W	28.20 ohms
Y	F	120/60 VAC, Low Watt	1.40 Amps	168 VA	0.42 Amps	21 W	36.50 ohms
Y	F	110/50 VAC, Low Watt	1.50 Amps	165 VA	0.50 Amps	23 W	36.50 ohms
Z	L	250 VDC	N/A	N/A	0.04 Amps	10 W	6875.00 ohms
Z	Omit	250 VDC	N/A	N/A	0.13 Amps	30 W	1889.64 ohms
Explosion Proof Solenoids							
R		24/60 VAC	7.63 Amps	183 VA	2.85 Amps	27 W	1.99 ohms
T		240/60 VAC	0.76 Amps	183 VA	0.29 Amps	27 W	1.34 ohms
N		220/50 VAC	0.77 Amps	169 VA	0.31 Amps	27 W	1.38 ohms
Y		120/60 VAC	1.60 Amps	192 VA	0.58 Amps	27 W	33.50 ohms
P		110/50 VAC	1.47 Amps	162 VA	0.57 Amps	27 W	34.70 ohms
K		12 VDC	N/A	N/A	2.75 Amps	33 W	4.36 ohms
J		24 VDC	N/A	N/A	1.38 Amps	33 W	17.33 ohms
"ET" Explosion Proof Solenoids							
K		12 VDC	N/A	N/A	1.00 Amps	12 W	12.00 ohms
J		24 VDC	N/A	N/A	1.00 Amps	13 W	44.30 ohms
Y		120/60-50 VAC	N/A	N/A	0.16 Amps	17 W	667.00 ohms

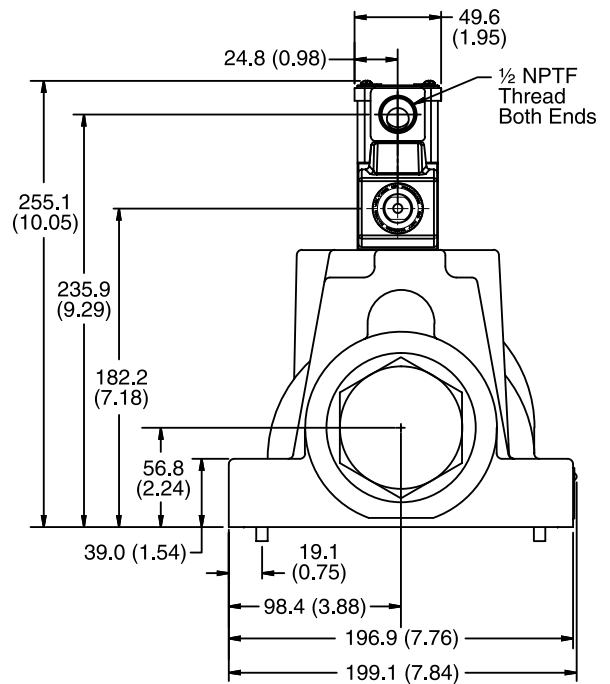
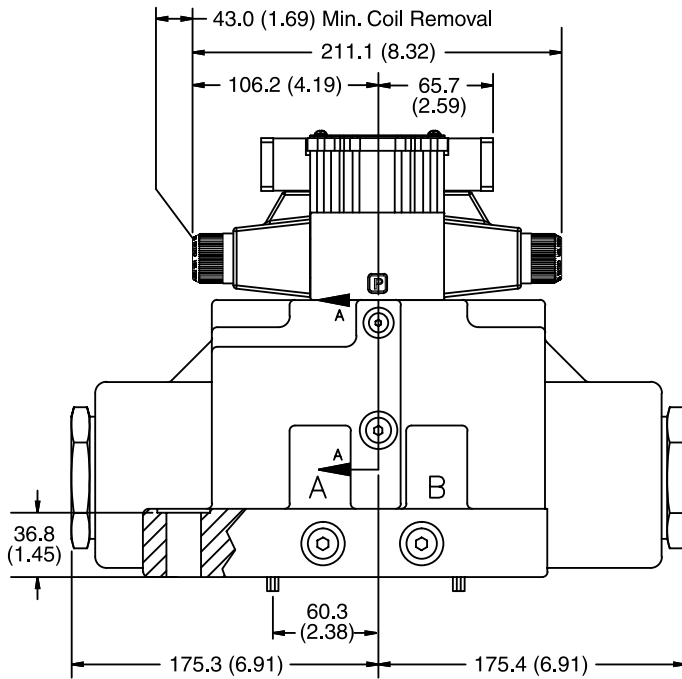
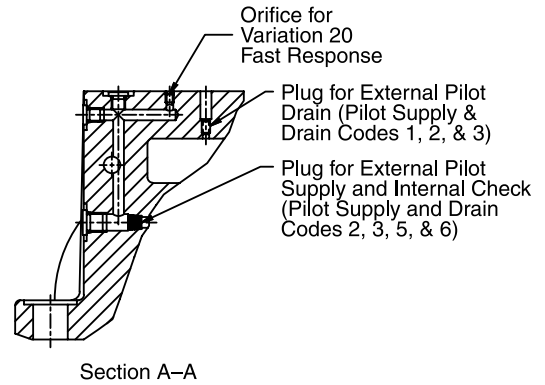
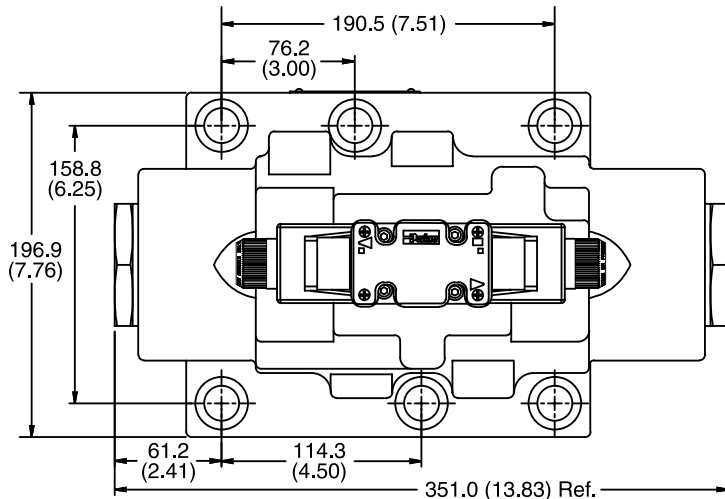
D101.indd, dd

Inch equivalents for millimeter dimensions are shown in (**)

Plug-in Conduit Box, Double AC Solenoid



A

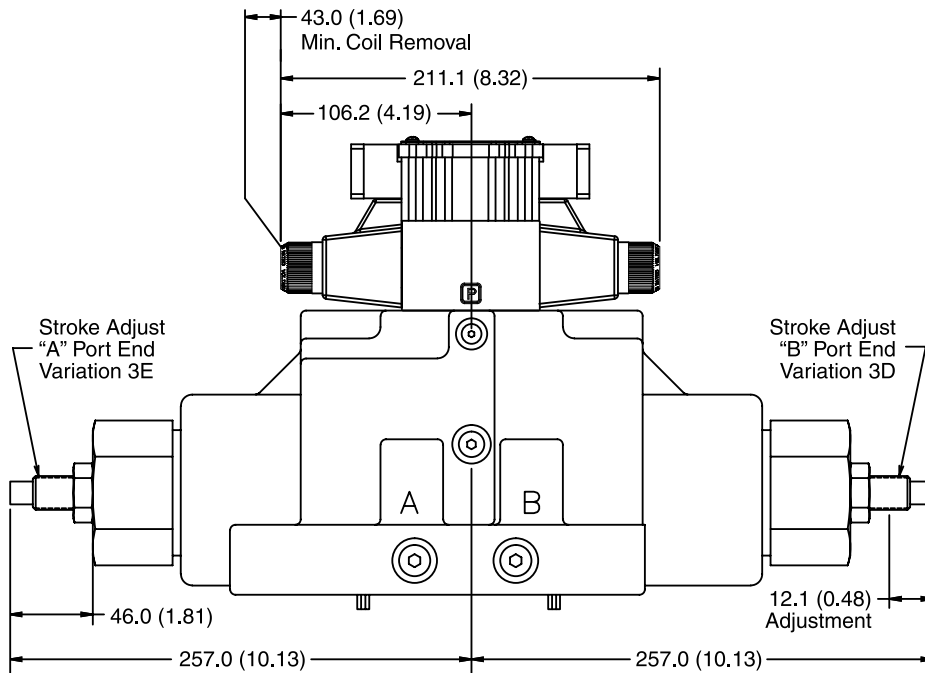


Note: 36.83mm (1.45") from bottom of bolt hole counterbore to bottom of valve.

Inch equivalents for millimeter dimensions are shown in (**)

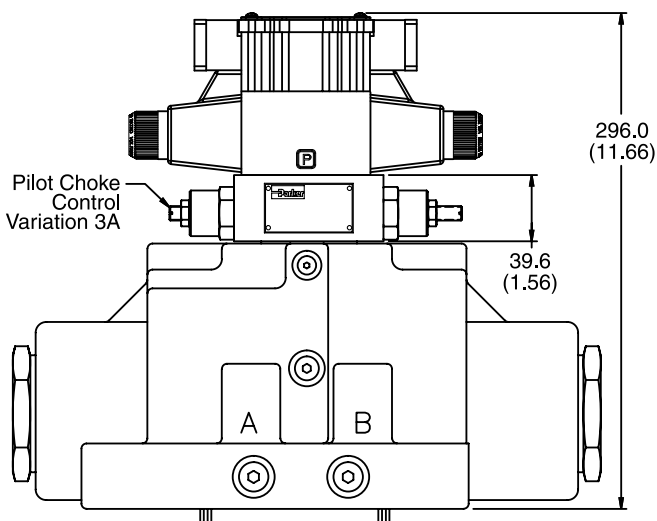
A

Conduit Box and Stroke Adjust, Double AC Solenoid



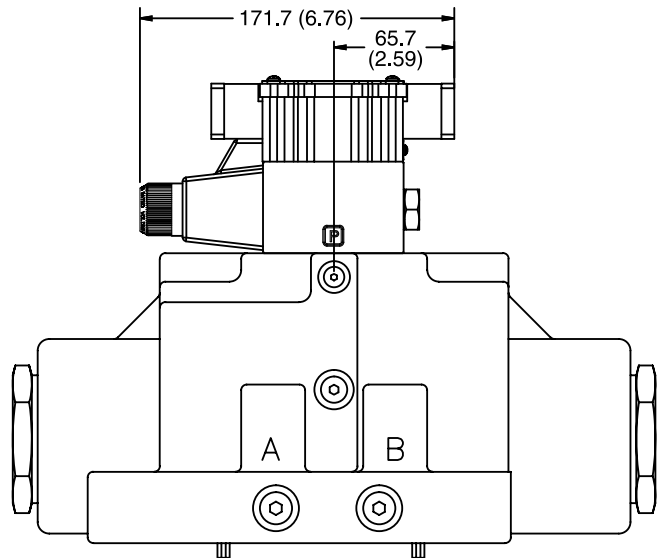
Note: 36.83mm (1.45") from bottom of bolt hole counterbore to bottom of valve.

Conduit Box and Pilot Choke Control, Double AC Solenoid



Note: 36.83mm (1.45") from bottom of bolt hole counterbore to bottom of valve.

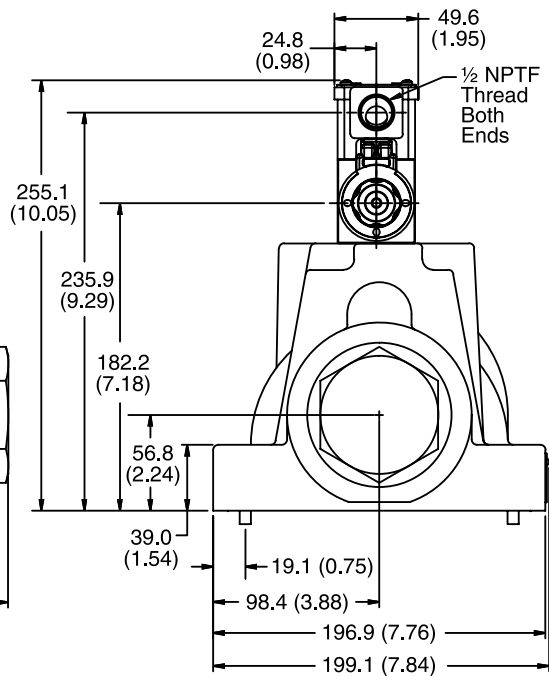
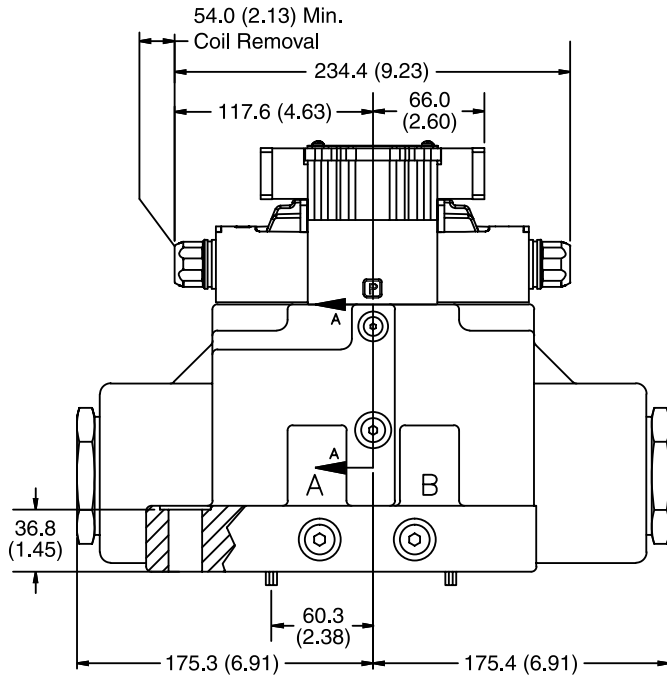
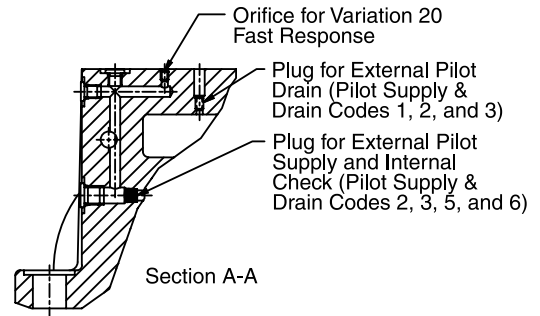
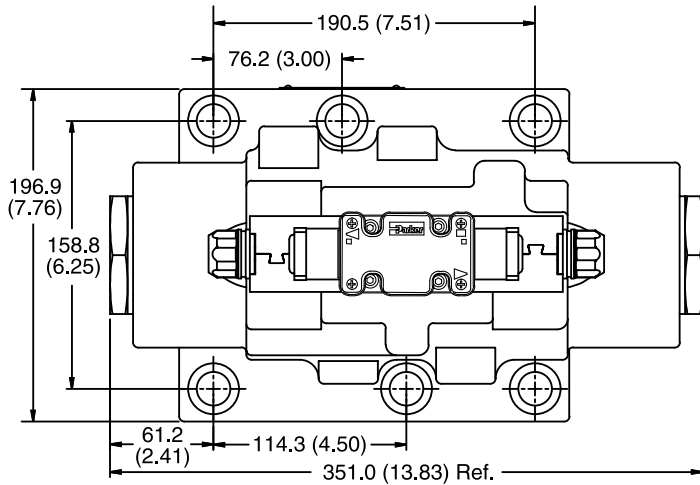
Conduit Box, Single AC Solenoid



D101.indd, dd

Inch equivalents for millimeter dimensions are shown in (**)

Plug-in Conduit Box, Double DC Solenoid

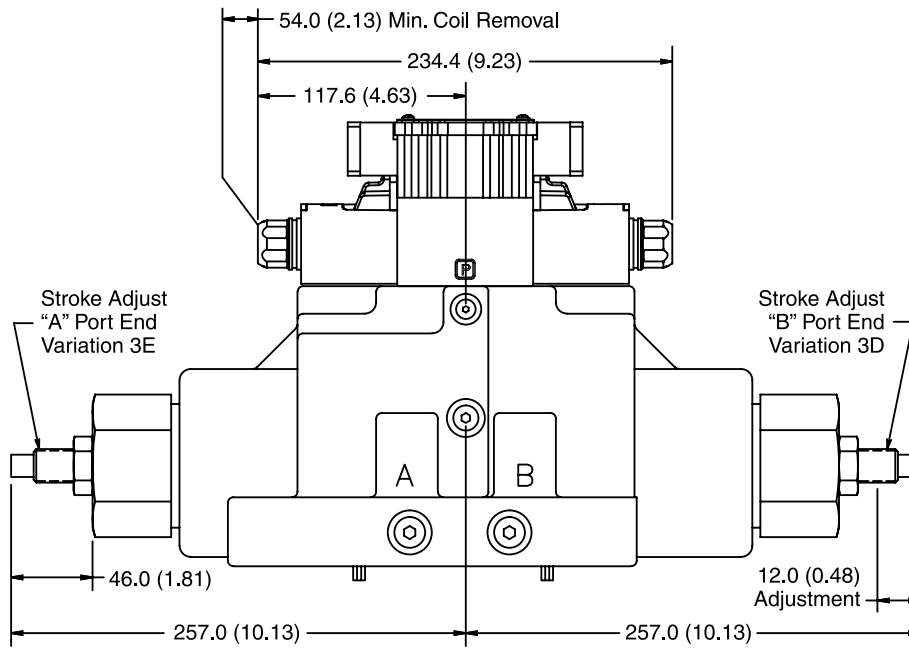


Note: 36.83mm (1.45") from bottom of bolt hole counterbore to bottom of valve.

Inch equivalents for millimeter dimensions are shown in (**)

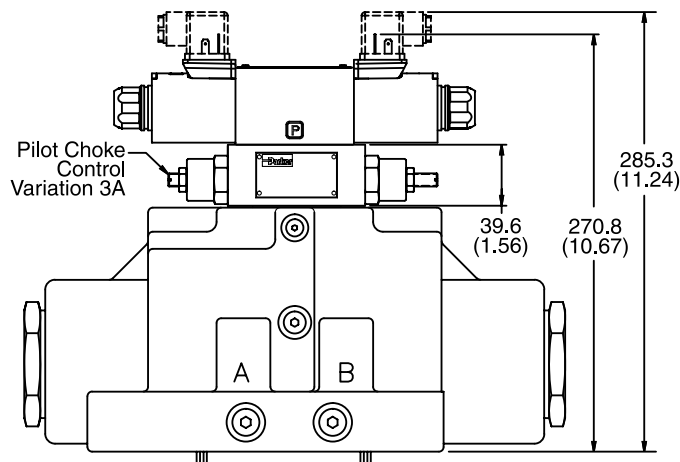
A

Plug-in Conduit Box and Stroke Adjust, Double DC Solenoid



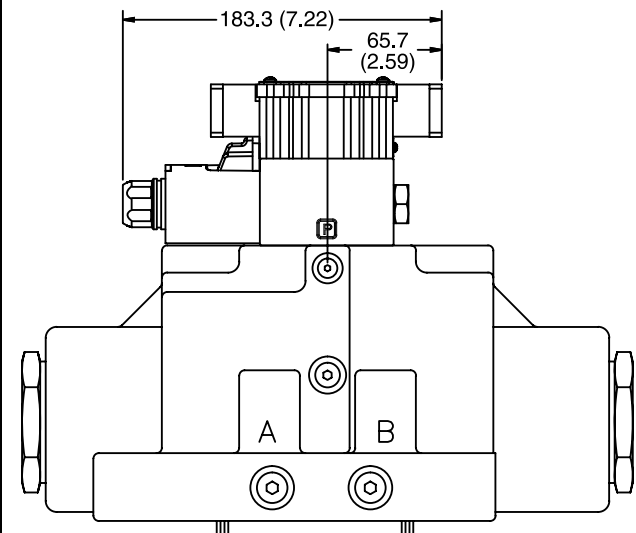
Note: 36.83mm (1.45") from bottom of bolt hole counterbore to bottom of valve.

Hirschmann and Pilot Choke Control, Double DC Solenoid



Note: 36.83mm (1.45") from bottom of bolt hole counterbore to bottom of valve.

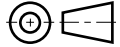
Plug-in Conduit Box, Single DC Solenoid



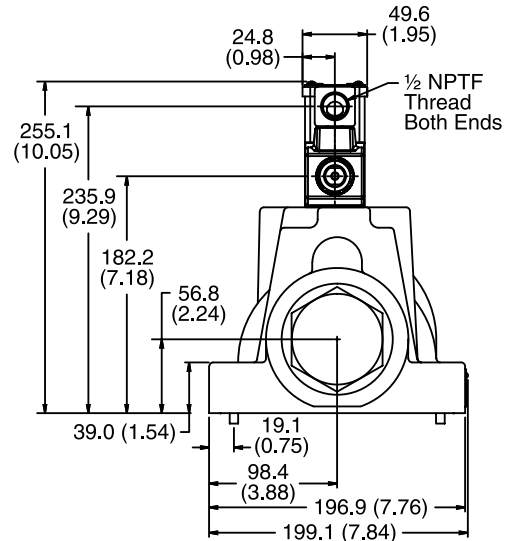
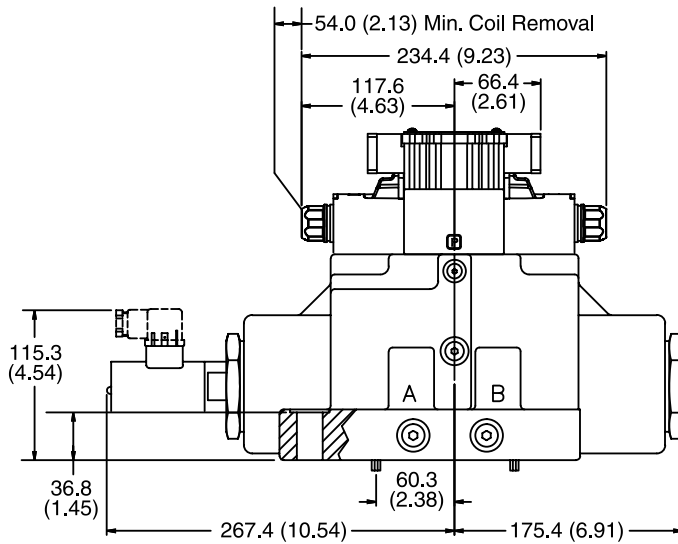
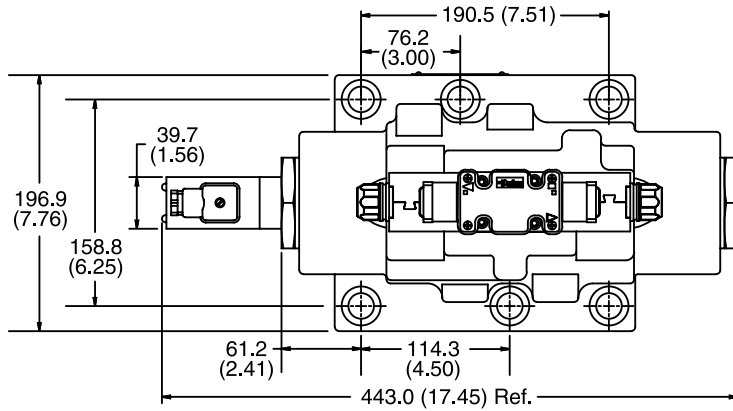
D101.indd, dd

Inch equivalents for millimeter dimensions are shown in (**)

**Plug-in Conduit Box, Double DC Solenoid
with Variation I3 or I6 (Monitor Switch)**



A

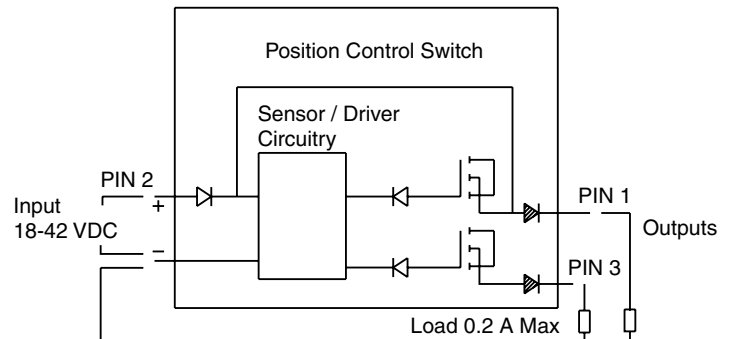


**Monitor Switch
(Variation I3 and I6)**

This feature provides for electrical confirmation of the spool shift. This can be used in safety circuits, to assure proper sequencing, etc.

Switch Data

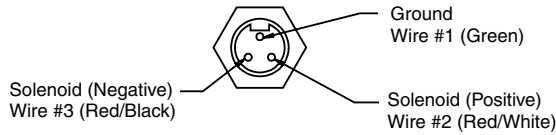
Pin 1 and Pin 3 have outputs equal to the input. When the monitor switch has the output to Pin 1, Pin 3 will have an output of zero, and vice-versa. When the valve is switched, Pin 1 and Pin 3 will switch outputs.





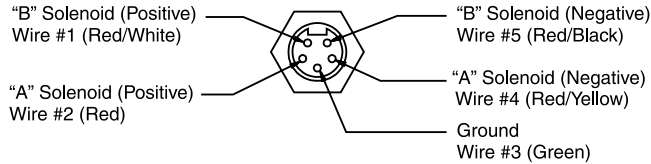
Manaplug (Options 6, 56, 1A & 1C)

- Interface – Brad Harrison Plug
- 3-Pin for Single Solenoid
 - 5-Pin for Double Solenoid



3-Pin Manaplug (Mini) with Lights

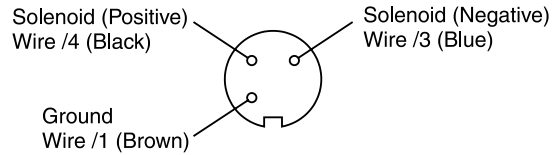
Single Solenoid Valves – Installed Opposite Side of Solenoid



5-Pin Manaplug (Mini) with Lights

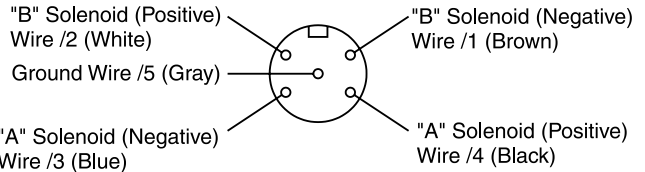
Single Solenoid Valves – Installed Opposite Side of Solenoid
Double Solenoid Valves – Installed Over "A" Solenoid
("A" and "B" Solenoids Reversed for #8 and #9 Spools)

Micro Connector Options (7A, 7B, 1B & 1D)



3-Pin Manaplug (Micro) with Lights

Single Solenoid Valves – Installed Opposite Side of Solenoid



5-Pin Manaplug (Micro) with Lights

Single Solenoid Valves – Installed Opposite Side of Solenoid
Double Solenoid Valves – Installed Over "A" Solenoid
("A" and "B" Solenoids Reversed for #8 and #9 Spools)

Pins are as seen on valve (male pin connectors)

Manaplug – Electrical Mini Plug

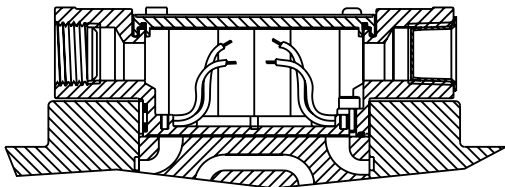
- EP336-30** 3 Pin Plug
- EP316-30** 5 Pin Plug (Double Solenoid)
- EP31A-30** 5 Pin Plug (Single Solenoid)

Manaplug – Electrical Micro Plug

- EP337-30** 3 Pin Plug
- EP317-30** 5 Pin Plug (Double Solenoid)
- EP31B-30** 5 Pin Plug (Single Solenoid)

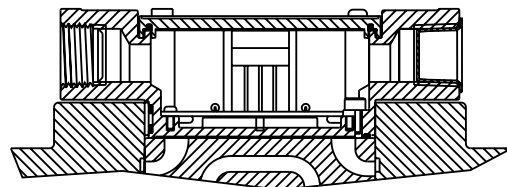
Conduit Box Option C

- No Wiring Options Available

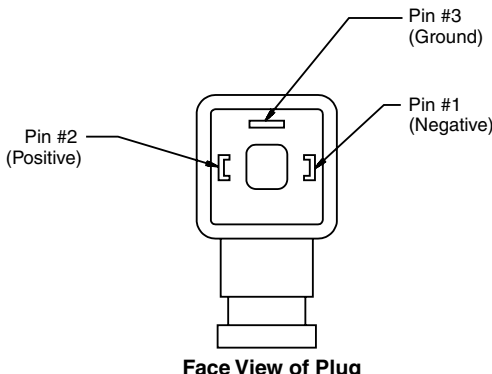


Signal Lights (Option 5) — Plug-in Only

- LED Interface
- Meets Nema 4/IP67



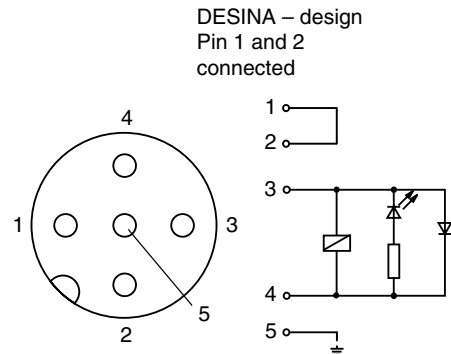
**Hirschmann Plug with Lights (Option P5)
ISO 4400/DIN 43650 Form "A"**



Face View of Plug

**DESINA Connector (Option D)
M12 pin assignment
Standard**

- 1 = Not used
- 2 = Not used
- 3 = 0V
- 4 = Signal (24 V)
- 5 = Earth Ground

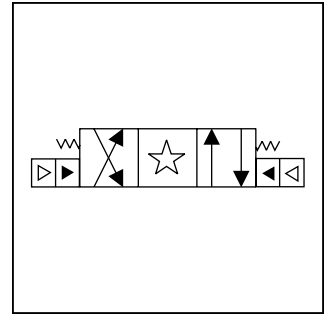
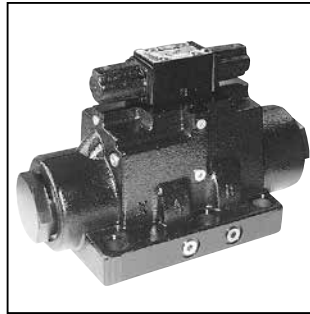


DESINA – design
Pin 1 and 2
connected

Pins are as seen on valve (male pin connectors)

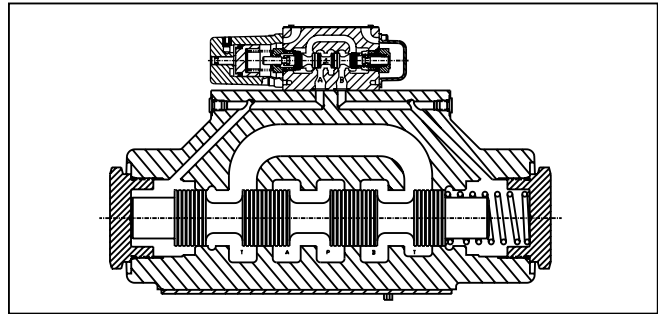
General Description

Series D101VA directional control valves are 5-chamber, air pilot operated valves. They are available in 2 or 3-position styles. These valves are manifold or subplate mounted, and conform to NFPA's D10, CETOP 10 mounting pattern.



Specifications

Mounting Pattern	NFPA D10, CETOP 10, NG32
Max. Operating Pressure	207 Bar (3000 PSI)
Max. Tank Pressure	Internal Drain Model: 34 Bar (500 PSI) External Drain Model: 207 Bar (3000 PSI)
Max. Drain Pressure	34 Bar (500 PSI)
Maximum Flow	See Reference Chart
Pilot Pressure	Air Min 3.4 Bar (50 PSI) Air Max 10.2 Bar (150 PSI)
Response Time	Varies with pilot line size and length, pilot pressure, pilot valve shift time & flow capacity (GPM)



Features

- Low pressure drop design.
- Hardened spools provide long life.

Ordering Information

D Directional Control Valve	101V Basic Valve	A Air Operated Pilot	□ Spool	□ Style	□ Pilot Supply and Drain	□ Seal	□ Valve Variations	□ Design Series																																						
NFPA D10 CETOP 10																																														
				<table border="1"> <tr><th>Code</th><th>Type</th></tr> <tr><td>N</td><td>Nitrile</td></tr> <tr><td>V</td><td>Fluorocarbon</td></tr> </table>		Code	Type	N	Nitrile	V	Fluorocarbon																																			
Code	Type																																													
N	Nitrile																																													
V	Fluorocarbon																																													
<p>Valve schematic symbols are per NFPA/ANSI standards, providing flow P to A when energizing operator A. Note operators reverse sides on #8 and #9 spools. See installation information for details.</p> <table border="1"> <thead> <tr><th>Code</th><th>Symbol</th></tr> </thead> <tbody> <tr><td>1</td><td></td></tr> <tr><td>2</td><td></td></tr> <tr><td>4</td><td></td></tr> <tr><td>8*</td><td></td></tr> <tr><td>9**</td><td></td></tr> <tr><td>11</td><td></td></tr> </tbody> </table> <p>* 8 spool has closed crossover. ** 9 spool has open crossover.</p>				Code	Symbol	1		2		4		8*		9**		11		<table border="1"> <thead> <tr><th>Code</th><th>Description</th></tr> </thead> <tbody> <tr><td>1</td><td>Int. pilot/Ext. drain</td></tr> <tr><td>2</td><td>Ext. pilot/Ext. drain</td></tr> <tr><td>4#</td><td>Int. pilot/Int. drain</td></tr> <tr><td>5</td><td>Ext. pilot/Int. drain</td></tr> </tbody> </table> <p># Not available with 2, 8 & 9 spools.</p>		Code	Description	1	Int. pilot/Ext. drain	2	Ext. pilot/Ext. drain	4#	Int. pilot/Int. drain	5	Ext. pilot/Int. drain	<table border="1"> <thead> <tr><th>Code</th><th>Description</th></tr> </thead> <tbody> <tr><td>7</td><td>Pilot Choke – Meter Out</td></tr> <tr><td>8</td><td>Stroke Adj. 'B' End</td></tr> <tr><td>9</td><td>Stroke Adj. 'A' End</td></tr> <tr><td>60</td><td>Pilot Choke – Meter In</td></tr> <tr><td>89</td><td>Stroke Adj. 'A' & 'B' Ends</td></tr> <tr><td>90</td><td>1/4 BSPP Threads</td></tr> </tbody> </table>			Code	Description	7	Pilot Choke – Meter Out	8	Stroke Adj. 'B' End	9	Stroke Adj. 'A' End	60	Pilot Choke – Meter In	89	Stroke Adj. 'A' & 'B' Ends	90	1/4 BSPP Threads
				Code	Symbol																																									
1																																														
2																																														
4																																														
8*																																														
9**																																														
11																																														
Code	Description																																													
1	Int. pilot/Ext. drain																																													
2	Ext. pilot/Ext. drain																																													
4#	Int. pilot/Int. drain																																													
5	Ext. pilot/Int. drain																																													
Code	Description																																													
7	Pilot Choke – Meter Out																																													
8	Stroke Adj. 'B' End																																													
9	Stroke Adj. 'A' End																																													
60	Pilot Choke – Meter In																																													
89	Stroke Adj. 'A' & 'B' Ends																																													
90	1/4 BSPP Threads																																													
				<table border="1"> <thead> <tr><th>Code</th><th>Description</th></tr> </thead> <tbody> <tr><td>B†</td><td>Sgl. operator, 2 position, spring offset. P to A and B to T in offset position.</td></tr> <tr><td>C</td><td>Dbl. operator, 3 position, spring centered.</td></tr> <tr><td>H†</td><td>Sgl. operator, 2 position, spring offset. P to B and A to T in offset position.</td></tr> </tbody> </table> <p>† Available with 1, 2, 4 & 11 spools only.</p>		Code	Description	B†	Sgl. operator, 2 position, spring offset. P to A and B to T in offset position.	C	Dbl. operator, 3 position, spring centered.	H†	Sgl. operator, 2 position, spring offset. P to B and A to T in offset position.	<table border="1"> <thead> <tr><th>Symbol</th></tr> </thead> <tbody> <tr><td></td></tr> <tr><td></td></tr> <tr><td></td></tr> </tbody> </table> <p> This condition varies with spool code.</p>			Symbol																													
Code	Description																																													
B†	Sgl. operator, 2 position, spring offset. P to A and B to T in offset position.																																													
C	Dbl. operator, 3 position, spring centered.																																													
H†	Sgl. operator, 2 position, spring offset. P to B and A to T in offset position.																																													
Symbol																																														

Valve Weight: 35.3 kg (77.8 lbs.)
Standard Bolt Kit: BK229
Metric Bolt Kit: BKM229

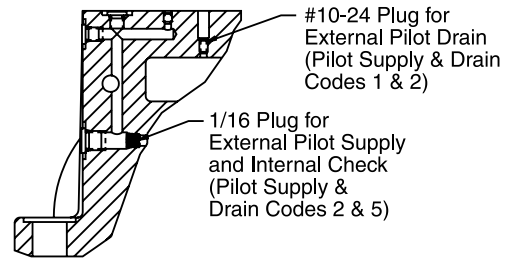
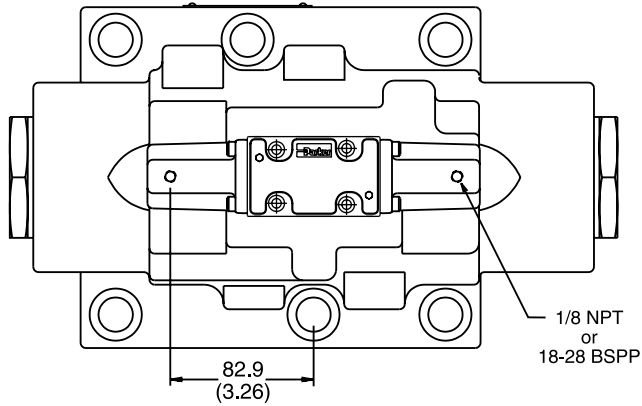
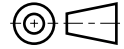
Bold: Designates Tier I products and options.

Non-Bold: Designates Tier II products and options. These products will have longer lead times.

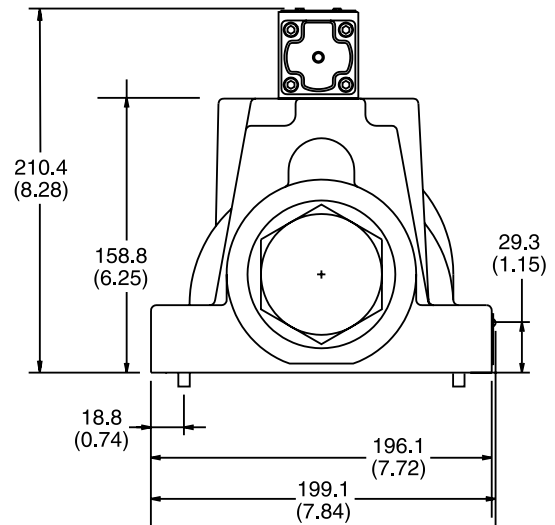
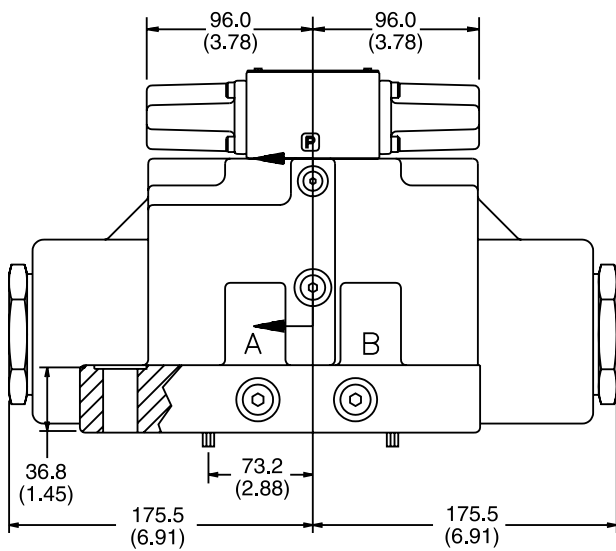
Inch equivalents for millimeter dimensions are shown in (**)

A

Air Operated



Section A-A



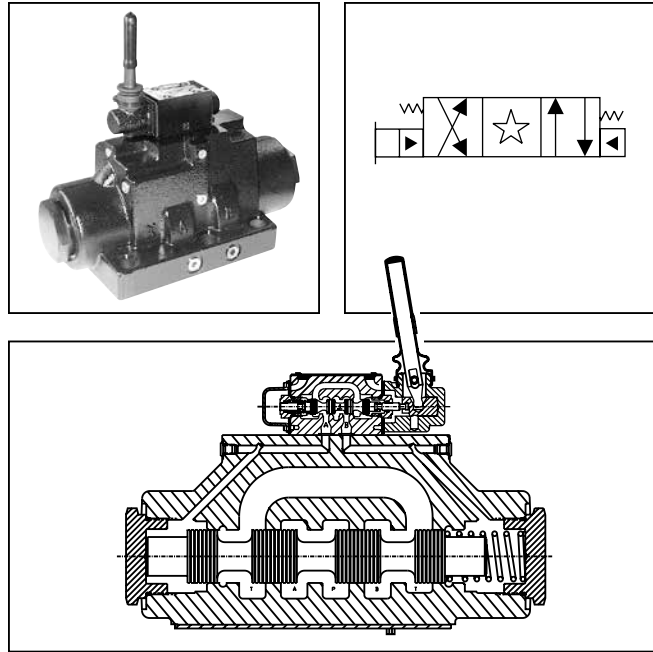
Note: 36.83mm (1.45") from bottom of bolt hole counterbore to bottom of valve.

General Description

Series D101VL directional control valves are 5-chamber, lever operated valves. They are available in 2 or 3-position styles. These valves are manifold or subplate mounted, and conform to NFPA's D10, CETOP 10 mounting pattern.

Specifications

Mounting Pattern	NFPA D10, CETOP 10, NG32
Max. Operating Pressure	207 Bar (3000 PSI)
Max. Tank Pressure	Internal Drain Model: 34 Bar (500 PSI) External Drain Model: 207 Bar (3000 PSI)
Max. Drain Pressure	34 Bar (500 PSI)
Maximum Flow	See Reference Chart
Pilot Pressure	Oil Min 6.9 Bar (100 PSI) Oil Max 207 Bar (300 PSI)
Response Time	Varies with pilot line size and length, pilot pressure, pilot valve shift time & flow capacity (GPM)



Features

- Low force required to shift spool.
- Hardened spools provide long life.
- Low pressure drop design.

Ordering Information

<div style="border: 1px solid black; padding: 2px; width: 30px; margin: 0 auto;">D</div> <p>Directional Control Valve</p>	<div style="border: 1px solid black; padding: 2px; width: 30px; margin: 0 auto;">101V</div> <p>Basic Valve</p>	<div style="border: 1px solid black; padding: 2px; width: 30px; margin: 0 auto;">L</div> <p>Lever Operated Pilot</p>	<div style="border: 1px solid black; padding: 2px; width: 30px; margin: 0 auto;"></div> <p>Spool</p>	<div style="border: 1px solid black; padding: 2px; width: 30px; margin: 0 auto;"></div> <p>Style</p>	<div style="border: 1px solid black; padding: 2px; width: 30px; margin: 0 auto;"></div> <p>Pilot Supply and Drain</p>	<div style="border: 1px solid black; padding: 2px; width: 30px; margin: 0 auto;"></div> <p>Seal</p>	<div style="border: 1px solid black; padding: 2px; width: 30px; margin: 0 auto;"></div> <p>Valve Variations</p>	<div style="border: 1px dashed black; padding: 2px; width: 30px; margin: 0 auto;"></div> <p>Design Series</p>																										
<div style="border: 1px solid black; padding: 2px; width: fit-content; margin: 0 auto;">NFPA D10 CETOP 10</div>																																		
		<table border="1" style="font-size: small;"> <thead> <tr> <th>Code</th> <th>Symbol</th> </tr> </thead> <tbody> <tr> <td style="text-align: center;">1</td> <td></td> </tr> <tr> <td style="text-align: center;">2</td> <td></td> </tr> <tr> <td style="text-align: center;">4</td> <td></td> </tr> <tr> <td style="text-align: center;">8*</td> <td></td> </tr> <tr> <td style="text-align: center;">9**</td> <td></td> </tr> <tr> <td style="text-align: center;">11</td> <td></td> </tr> </tbody> </table>		Code	Symbol	1		2		4		8*		9**		11																		
Code	Symbol																																	
1																																		
2																																		
4																																		
8*																																		
9**																																		
11																																		
				<table border="1" style="font-size: small;"> <thead> <tr> <th>Code</th> <th>Supply — Drain</th> </tr> </thead> <tbody> <tr> <td style="text-align: center;">1</td> <td>Int. pilot/Ext. drain</td> </tr> <tr> <td style="text-align: center;">2</td> <td>Ext. pilot/Ext. drain</td> </tr> <tr> <td style="text-align: center;">4#</td> <td>Int. pilot/Int. drain</td> </tr> <tr> <td style="text-align: center;">5</td> <td>Ext. pilot/Int. drain</td> </tr> </tbody> </table>		Code	Supply — Drain	1	Int. pilot/Ext. drain	2	Ext. pilot/Ext. drain	4#	Int. pilot/Int. drain	5	Ext. pilot/Int. drain			<table border="1" style="font-size: small;"> <thead> <tr> <th>Code</th> <th>Description</th> </tr> </thead> <tbody> <tr> <td style="text-align: center;">7</td> <td>Pilot Choke – Meter Out</td> </tr> <tr> <td style="text-align: center;">8</td> <td>Stroke Adj. 'B' End</td> </tr> <tr> <td style="text-align: center;">9</td> <td>Stroke Adj. 'A' End</td> </tr> <tr> <td style="text-align: center;">60</td> <td>Pilot Choke – Meter In</td> </tr> <tr> <td style="text-align: center;">89</td> <td>Stroke Adj. 'A' & 'B' Ends</td> </tr> </tbody> </table>		Code	Description	7	Pilot Choke – Meter Out	8	Stroke Adj. 'B' End	9	Stroke Adj. 'A' End	60	Pilot Choke – Meter In	89	Stroke Adj. 'A' & 'B' Ends			
Code	Supply — Drain																																	
1	Int. pilot/Ext. drain																																	
2	Ext. pilot/Ext. drain																																	
4#	Int. pilot/Int. drain																																	
5	Ext. pilot/Int. drain																																	
Code	Description																																	
7	Pilot Choke – Meter Out																																	
8	Stroke Adj. 'B' End																																	
9	Stroke Adj. 'A' End																																	
60	Pilot Choke – Meter In																																	
89	Stroke Adj. 'A' & 'B' Ends																																	
				<table border="1" style="font-size: small;"> <thead> <tr> <th>Code</th> <th>Description</th> <th>Symbol</th> </tr> </thead> <tbody> <tr> <td style="text-align: center;">B†</td> <td>Sgl. operator, 2 position, spring offset. P to A and B to T in offset position.</td> <td></td> </tr> <tr> <td style="text-align: center;">C</td> <td>Dbl. operator, 3 position, spring centered.</td> <td></td> </tr> <tr> <td style="text-align: center;">H†</td> <td>Sgl. operator, 2 position, spring offset. P to B and A to T in offset position.</td> <td></td> </tr> </tbody> </table>		Code	Description	Symbol	B†	Sgl. operator, 2 position, spring offset. P to A and B to T in offset position.		C	Dbl. operator, 3 position, spring centered.		H†	Sgl. operator, 2 position, spring offset. P to B and A to T in offset position.																		
Code	Description	Symbol																																
B†	Sgl. operator, 2 position, spring offset. P to A and B to T in offset position.																																	
C	Dbl. operator, 3 position, spring centered.																																	
H†	Sgl. operator, 2 position, spring offset. P to B and A to T in offset position.																																	
				<p># Not available with 2, 8 & 9 spools.</p>																														
				<p>† Available with 1, 2, 4 & 11 spools only.</p>		<p>This condition varies with spool code.</p>																												

Valve schematic symbols are per NFPA/ANSI standards, providing flow P to A when energizing operator A. Note operators reverse sides on #8 and #9 spools. See installation information for details.

Bold: Designates Tier I products and options.

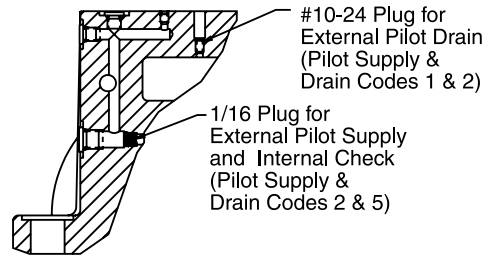
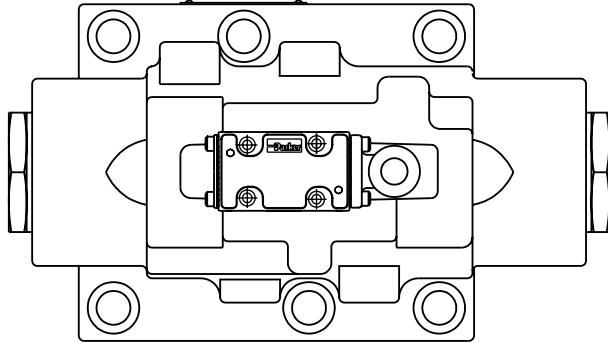
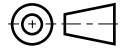
Non-Bold: Designates Tier II products and options.
These products will have longer lead times.

Valve Weight: 35.0 kg (77.2 lbs.)
Standard Bolt Kit: BK229
Metric Bolt Kit: BKM229

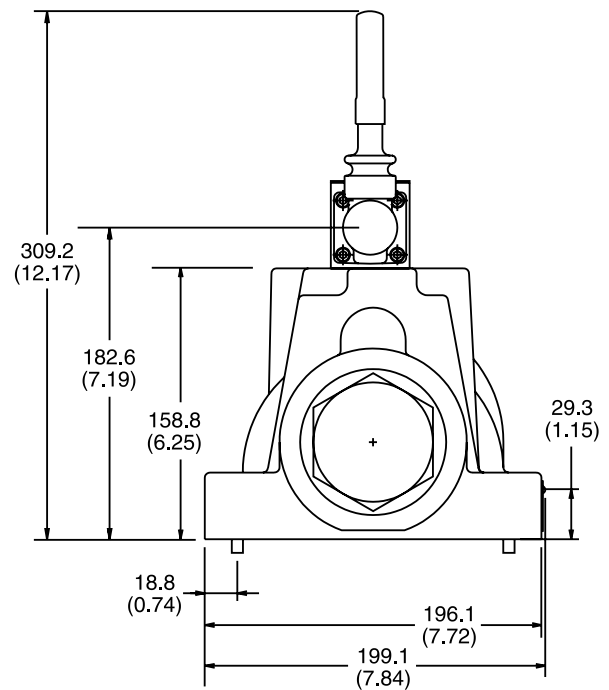
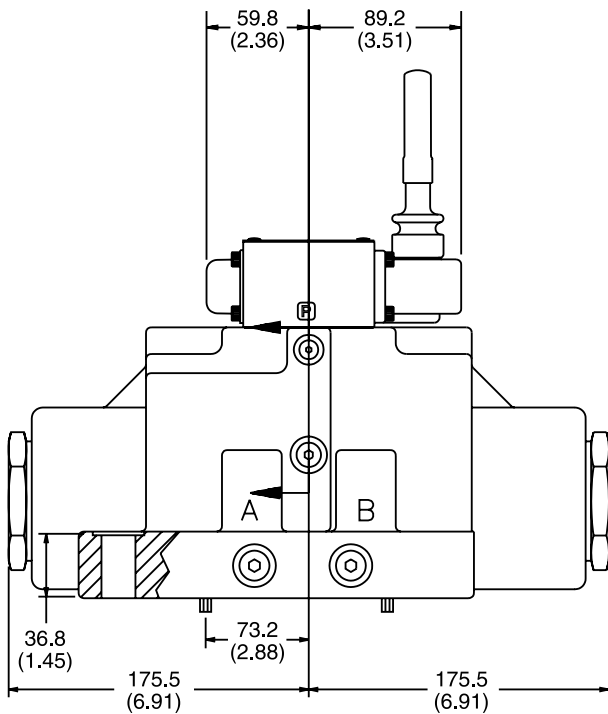
Inch equivalents for millimeter dimensions are shown in (**)

A

Lever Operated



Section A-A



Note: 36.83mm (1.45") from bottom of bolt hole counterbore to bottom of valve.

General Description

Series D10P directional control valves are 5-chamber, pilot operated valves. They are available in 2 or 3-position styles. These valves are manifold or subplate mounted, and conform to NFPA's D10, CETOP 10 mounting pattern.

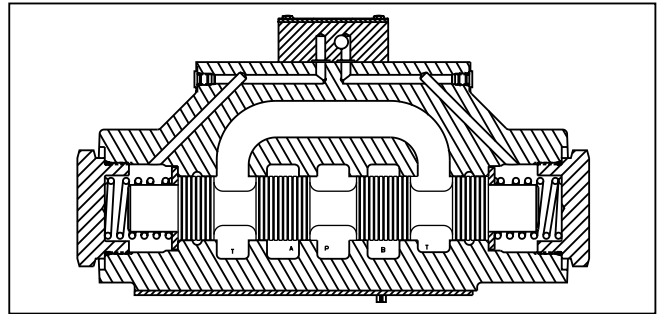
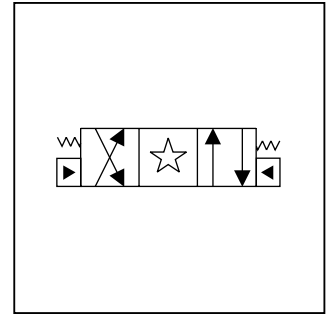
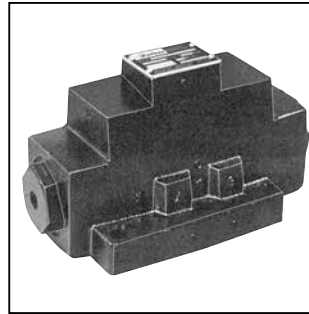
Features

- Low pressure drop design.
- Hardened spools provide long life.

Specifications

Mounting Pattern	NFPA D10, CETOP 10, NG32
Max. Operating Pressure	207 Bar (3000 PSI)
Max. Tank Line Pressure	207 Bar (3000 PSI)
Max. Drain Pressure	207 Bar (3000 PSI)
Min. Pilot Pressure	4.4 Bar (65 PSI)
Max. Pilot Pressure	207 Bar (3000 PSI)
Nominal Flow	378 LPM (100 GPM)
Maximum Flow	See Reference Chart

For flow path, pilot drain and pilot pressure details, see Installation Information.



Response Time

Response time will vary with pilot line size, pilot line length, pilot pressure shift time and flow capacity of the control valve.

Shift Volume

The pilot chamber requires a volume of 1.51 in³ (24.75 cc) for center to end.

Ordering Information

<div style="border: 1px solid black; padding: 2px; width: 30px; margin: 0 auto;">D</div> <p>Directional Control Valve</p>	<div style="border: 1px solid black; padding: 2px; width: 30px; margin: 0 auto;">10</div> <p>Basic Valve</p>	<div style="border: 1px solid black; padding: 2px; width: 30px; margin: 0 auto;">P</div> <p>Actuator</p>	<div style="border: 1px solid black; padding: 2px; width: 30px; margin: 0 auto;">□</div> <p>Spool</p>	<div style="border: 1px solid black; padding: 2px; width: 30px; margin: 0 auto;">□</div> <p>Style</p>	<div style="border: 1px solid black; padding: 2px; width: 30px; margin: 0 auto;">□</div> <p>Pilot Supply and Drain</p>	<div style="border: 1px solid black; padding: 2px; width: 30px; margin: 0 auto;">□</div> <p>Seal</p>	<div style="border: 1px solid black; padding: 2px; width: 30px; margin: 0 auto;">□</div> <p>Valve Variations</p>	<div style="border: 1px solid black; padding: 2px; width: 30px; margin: 0 auto;">□ □</div> <p>Design Series</p>																																								
<div style="border: 1px solid black; padding: 2px; width: 80px; margin: 0 auto;"> NFPA D10 CETOP 10 </div>	<div style="border: 1px solid black; padding: 2px; width: 80px; margin: 0 auto;"> Oil Operator </div>	<table border="1" style="width: 100%; border-collapse: collapse;"> <thead> <tr> <th style="width: 10%;">Code</th> <th style="width: 90%;">Symbol</th> </tr> </thead> <tbody> <tr> <td style="text-align: center;">1</td> <td></td> </tr> <tr> <td style="text-align: center;">2</td> <td></td> </tr> <tr> <td style="text-align: center;">4</td> <td></td> </tr> <tr> <td style="text-align: center;">8*</td> <td></td> </tr> <tr> <td style="text-align: center;">9**</td> <td></td> </tr> <tr> <td style="text-align: center;">11</td> <td></td> </tr> </tbody> </table> <p>* 8 spool has closed crossover. ** 9 spool has open crossover.</p>		Code	Symbol	1		2		4		8*		9**		11		<table border="1" style="width: 100%; border-collapse: collapse;"> <thead> <tr> <th style="width: 10%;">Code</th> <th style="width: 10%;">Type</th> </tr> </thead> <tbody> <tr> <td style="text-align: center;">N</td> <td>Nitrile</td> </tr> <tr> <td style="text-align: center;">V</td> <td>Fluorocarbon</td> </tr> </tbody> </table>		Code	Type	N	Nitrile	V	Fluorocarbon	<table border="1" style="width: 100%; border-collapse: collapse;"> <thead> <tr> <th style="width: 10%;">Code</th> <th style="width: 90%;">Description</th> </tr> </thead> <tbody> <tr> <td style="text-align: center;">2</td> <td>Ext. Pilot / Ext. Drain</td> </tr> <tr> <td style="text-align: center;">5#</td> <td>Ext. Pilot / Int. Drain</td> </tr> </tbody> </table> <p># Available in "B" & "H" styles only.</p>		Code	Description	2	Ext. Pilot / Ext. Drain	5#	Ext. Pilot / Int. Drain	<table border="1" style="width: 100%; border-collapse: collapse;"> <thead> <tr> <th style="width: 10%;">Code</th> <th style="width: 70%;">Description</th> <th style="width: 20%;">Symbol</th> </tr> </thead> <tbody> <tr> <td style="text-align: center;">B†</td> <td>Sgl. operator, 2 position, spring offset. P to A and B to T in offset position.</td> <td></td> </tr> <tr> <td style="text-align: center;">C</td> <td>Dbl. operator, 3 position, spring centered.</td> <td></td> </tr> <tr> <td style="text-align: center;">H†</td> <td>Sgl. operator, 2 position, spring offset. P to B and A to T in offset position.</td> <td></td> </tr> </tbody> </table> <p>† Available with 1, 2, 4 & 11 spools only.</p>		Code	Description	Symbol	B†	Sgl. operator, 2 position, spring offset. P to A and B to T in offset position.		C	Dbl. operator, 3 position, spring centered.		H†	Sgl. operator, 2 position, spring offset. P to B and A to T in offset position.		<p>NOTE: Not required when ordering.</p>
Code	Symbol																																															
1																																																
2																																																
4																																																
8*																																																
9**																																																
11																																																
Code	Type																																															
N	Nitrile																																															
V	Fluorocarbon																																															
Code	Description																																															
2	Ext. Pilot / Ext. Drain																																															
5#	Ext. Pilot / Int. Drain																																															
Code	Description	Symbol																																														
B†	Sgl. operator, 2 position, spring offset. P to A and B to T in offset position.																																															
C	Dbl. operator, 3 position, spring centered.																																															
H†	Sgl. operator, 2 position, spring offset. P to B and A to T in offset position.																																															
<p>Valve schematic symbols are per NFPA/ANSI standards, providing flow P to A when energizing operator X. Note operators reverse sides on #8 and #9 spools. See installation information for details.</p>								<p>This condition varies with spool code.</p>																																								

Valve Weight: 34.3 kg (75.7 lbs.)
Standard Bolt Kit: BK229
Metric Bolt Kit: BKM229

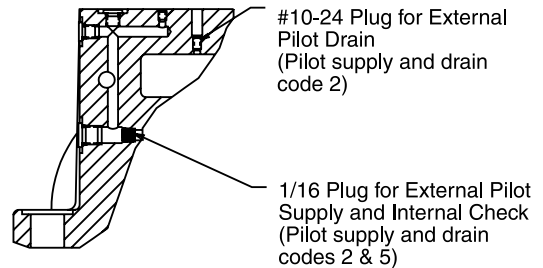
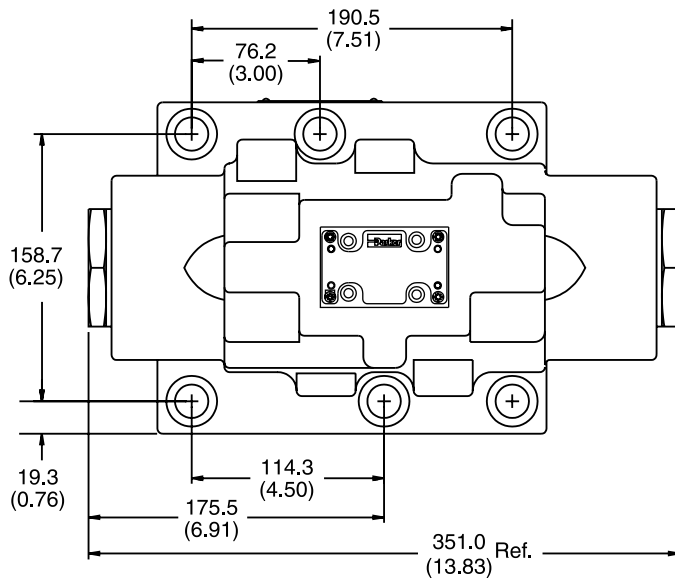
Bold: Designates Tier I products and options.

Non-Bold: Designates Tier II products and options. These products will have longer lead times.

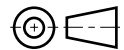
Inch equivalents for millimeter dimensions are shown in (**)

A

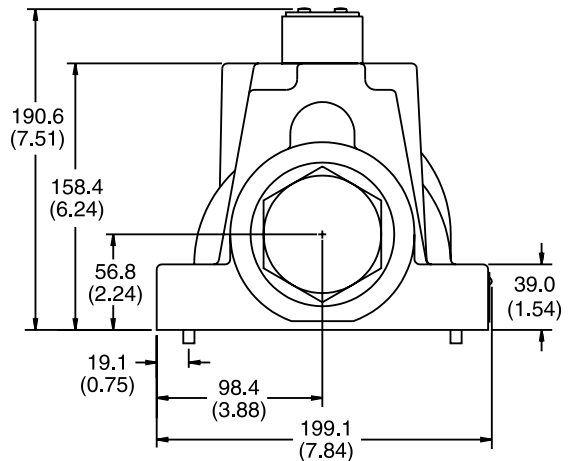
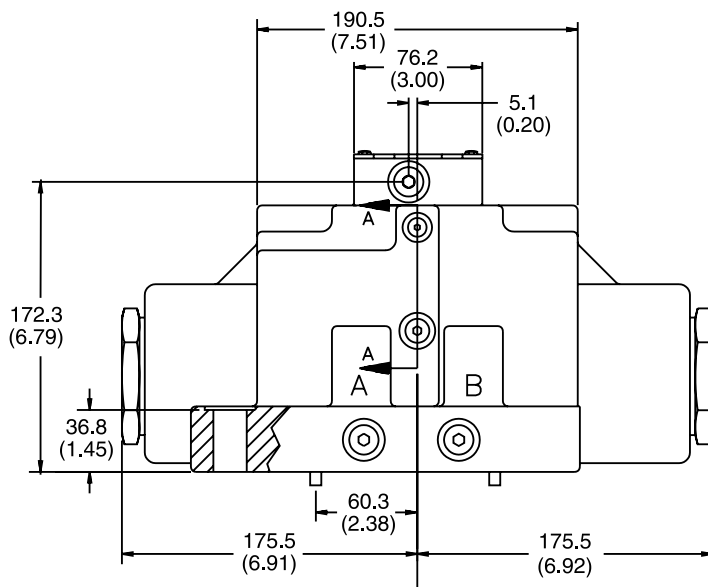
Standard Pilot Operated



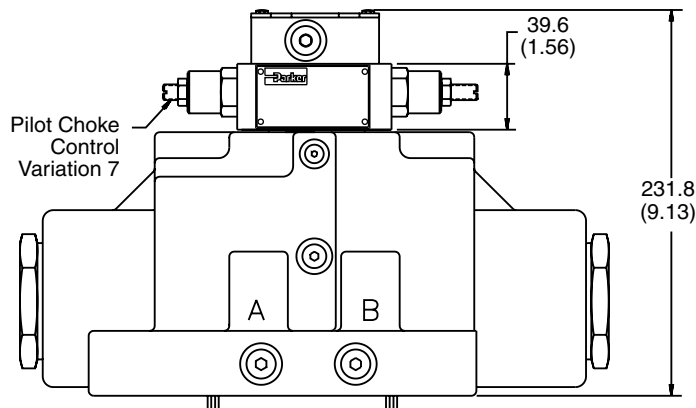
Section A-A



Note: 36.83mm (1.45") from bottom of bolt hole counterbore to bottom of valve.



Pilot Operated with Pilot Choke Control



Note: 36.83mm (1.45") from bottom of bolt hole counterbore to bottom of valve.

FOR MAXIMUM VALVE RELIABILITY, ADHERE TO THE FOLLOWING INSTALLATION INFORMATION.

The following is important installation information which applies to all directional control valves described in this catalog.

Mounting Position

Detent – Horizontal
Spring Offset – Unrestricted
Spring Centered – Unrestricted

Fluid Recommendations

Premium quality hydraulic oil with a viscosity range between 32-54 cSt (150-250 SSU) At 38°C (100°F) is recommended. The absolute operating viscosity range is from 16-220 cSt (80-1000 SSU). Oil should have maximum anti-wear properties and rust and oxidation treatment.

Fluids and Seals

Valves using synthetic, fire-resistant fluids require special seals. When phosphate esters or its blends are used, FLUOROCARBON seals are required. Water-glycol, water-in-oil emulsions and petroleum oil may be used with STANDARD seals.

Filtration

For maximum valve and system component life, the system should be protected from contamination at a level not to exceed 125 particles greater than 10 microns per milliliter of fluid (SAE class 4/ISO 16/13).

Silting

Silting can cause any sliding spool valve to stick and not spring return if held under pressure for long periods of time. The valve should be cycled periodically to prevent sticking.

Special Installations

Consult your Parker representative for any application requiring the following:

- Pressure above rating.
- Fluid other than those specified.
- Oil temperature above 71.1°C (160°F).
- Flow path other than normal.

Mounting Patterns

Series	NFPA	Size
D101V*, D10P	D10	1-1/4"

Torque Specifications

The recommended torque values for the bolts which mount the valve to the manifold or subplate are as follows: 406.8 Nm (300 ft-lbs).

Series D101VW, D101VA, D101VL

Tank and Drain Line Surges

If several valves are piped with a common tank or drain line, flow surges in the line may cause an unexpected spool shift. Detent style valves are most susceptible to this. Separate tank and drain lines should be piped in installations where line surges are expected.

Electrical Characteristics (Detented Spool)

Only a momentary energizing of the solenoid is necessary to shift and hold a detented spool. Minimum duration of the signal is 0.1 seconds for DC voltages. For AC voltages the response time is 0.06 seconds. Spool position will be held provided the spool centerline is in a horizontal plane, and not shock or vibration is present to displace the spool.

Electrical Failure or Loss of Pilot Pressure (D101VA)

Should electric power fail or loss of pilot pressure occur, spring offset and spring centered valves will shift to the spring held position. Detented valves will stay in the last position held before power failure. If main flow does not fail or stop at the same time power fails, machine actuators may continue to function in an undesirable manner or sequence.

Pilot/Drain Characteristics

Pilot Pressure: 4.4 to 207 Bar (65 to 3000 PSI)

External: An oil source sufficient to maintain minimum pilot pressure must be connected to the “X” port of the main body. When using the external pilot variation, a 1/16" pipe plug must be present in the main body pilot passage. (For details see Dimension pages.) This plug will be furnished in valves ordered with pilot code 2, 3, 5 or 6.

Internal: Flow is internally ported from the pressure port of the main valve body to the “P” port of the pilot valve. The pressure developed at the “P” port of the pilot valve must be 4.4 Bar (65 PSI) minimum at all times.

Integral Check: Valves using internal pilot and internal drain with an open center spool (spools 2, 7, 8 & 9) can be ordered with an integral check valve in the pressure port of the main valve codes 3 & 6. Pilot oil will be internally ported from the upstream side of this check to the “P” port of the pilot valve, ensuring sufficient pilot pressure. A 1/16” pipe plug will be present in the main body. The “X” port in the subplate must be plugged when using the integral check.

Pilot Valve Drain: Maximum pressure 102 Bar (1500 PSI) AC standard, 207 Bar (3000 PSI) AC optional/DC standard.

External: When using an external drain, a 10 x 24 x 0.31 long set screw must be present in the main body drain passage. (For details see Dimension pages.) This plug will be furnished in valves ordered with drain code 1, 2 or 3.

Drain flow from the pilot valve is at the “Y” port of the main body and must be piped directly to tank. Maximum drain line pressure is 102 Bar (1500 PSI) AC standard, 207 Bar (3000 PSI) AC optional/DC standard. Any drain line back pressure is additive to the pilot pressure requirement.

Internal: Drain flow from the pilot valve is internally connected to the main valve tank port. Tank and drain pressure are then identical so tank line pressure should not exceed 102 Bar (1500 PSI) AC standard, 207 Bar (3000 PSI) DC standard/AC optional. Any tank line back pressure is also additive to the pilot pressure requirement. If flow surges (a cause of pressure surges) are anticipated in the tank line, an external drain variation is recommended. The “Y” port in the subplate must be plugged when using an internal drain.

Style Code	Description	No Solenoid/Operator Energized	Solenoid/Operator A Energized	Solenoid/Operator B Energized
B	Spring Offset	P→A and B→T	—	P→B and A→T
C	Spring Centered	Centered	P→A and B→T	P→B and A→T
D	Detented	Last Position Held	P→A and B→T	P→B and A→T
E	Spring Centered	Centered	—	P→B and A→T
F†	Spring Offset, Shift to Center	P→A and B→T	—	Centered
H	Spring Offset	P→B and A→T	P→A and B→T	—
K	Spring Centered	Centered	P→A and B→T	—
M†	Spring Offset, Shift to Center	P→B and A→T	Centered	—

† D101VW only.

D101.indd, dd

Tank and Drain Line Surges

If several valves are piped with a common tank or drain line, flow surges in the line may cause an unexpected spool shift. Detent style valves are most susceptible to this. Separate tank and drain lines should be piped in installations where line surges are expected.

Loss of Pilot Pressure

Should a loss of pilot pressure occur, spring offset and spring centered valves will shift to the spring held position. No spring valves will stay in the last position held. If main hydraulic flow does simultaneously stop, machine actuators may continue to function in an undesirable manner or sequence.

Pilot Drain Characteristics

Pilot Pressure:


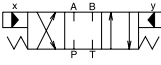
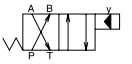
4.4 to 207 Bar (65 to 3000 PSI)

Direct pilot operated valves use the “X” and “Y” ports to supply pilot oil directly to the ends of the spool, providing spool shifting force. A block mounted on top of the valve body is internally cored to make the necessary connections. Thus when “X” is pressurized, “Y” is used as a drain; and when “Y” is pressurized, “X” becomes the drain.

Any back pressure in these lines when they are being used as a drain is additive to the pilot pressure requirement.

Internal Drain: On spring offset models, only the “X” port is pressurized, as the spring returns the spool to its at rest position. On these models, “Y” may be internally drained through the main tank passage in the valve.

Flow Path/Pilot Pressure

Style Code	Description	“X” & “Y” De-Pressurized	“X” Port Pressurized	“Y” Port Pressurized	Special Notes	Recommended Control Valve For Pilot Oil
B	Two Position Spring Offset	P→A, B→T	P→A, B→T	P→B, A→T	“X” Port may be pressurized to assist spring in returning spool to offset position (ext. only)	
C	Three Position Spring Centered	Center	P→A, B→T	P→B, A→T	Flow paths will be reversed on valves with tandem center (8 & 9) spools	
H	Two-Position Spring Offset	P→B, A→T	P→A, B→T	P→B, A→T	“Y” Port may be pressurized to assist spring in returning spool to offset position	

Subplate Mounting
NFPA D10, CETOP 10 & NG 32

A

Recommended Mounting Surface

Surface must be flat within .102 mm (0.0004 inch) T.I.R and smooth within 812.8 micro-meters (32 micro-inch). Torque bolts to 406.8 Nm (300 ft-lbs).

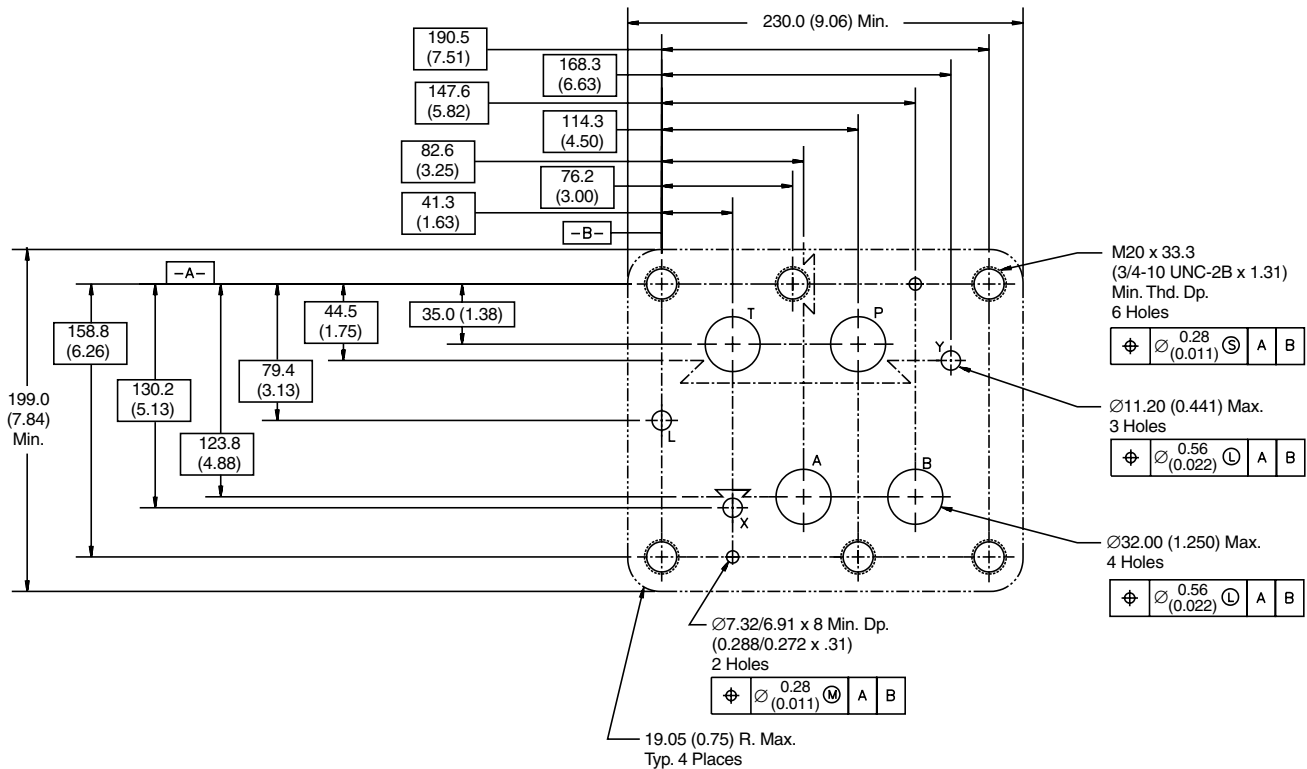
Mounting Position

Valve Type	Mounting Position
Detent (Solenoid)	Horizontal
Spring Offset	Unrestricted
Spring Centered	Unrestricted

For maximum valve reliability, adhere to the following installation information.

Mounting Pattern — NFPA D10, CETOP 10 & NG32

Inch equivalents for millimeter dimensions are shown in (**)



General Description

Series D111VW valves are piloted by a D1VW valve. The valves can be ordered with position control.

The minimum pilot pressure must be ensured for all operating conditions of the directional valve.

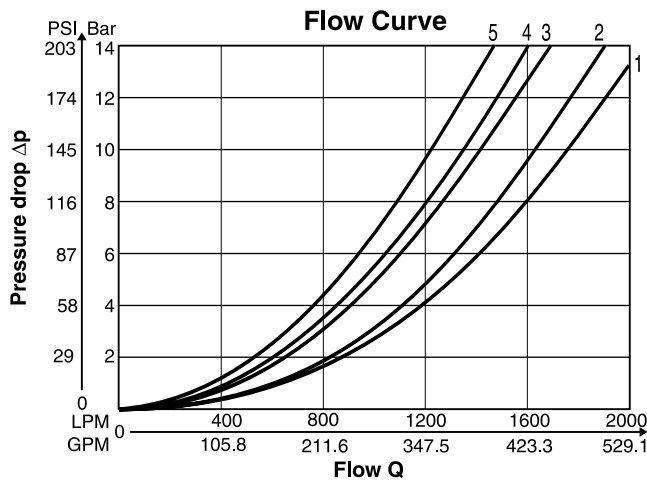
Additionally spools with a P to T connection in the de-energized position need an external pressure supply (external inlet).

Features

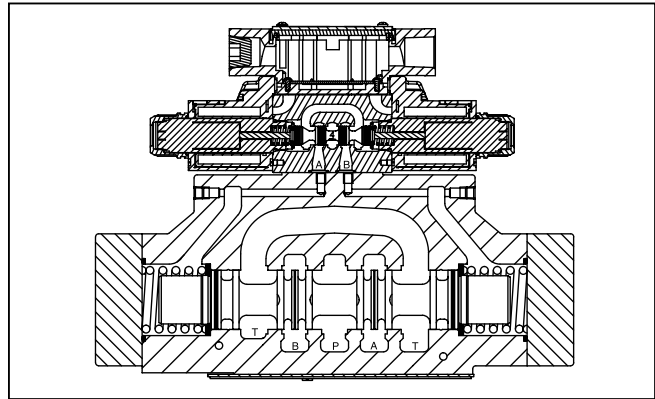
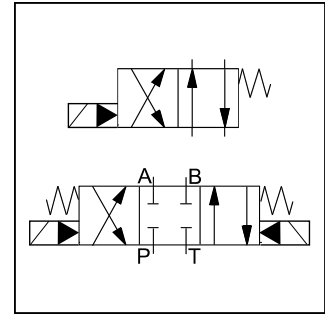
- Low pressure drop design.
- Hardened spools provide long life.
- Wide variety of voltages and electrical connection options.
- Explosion proof availability.
- No tools required for coil removal.

Performance Curves

The flow curve diagram shows the flow versus pressure drop curves for all spool types. The relevant curve number for each spool type, operating position and flow direction is given in the table below.

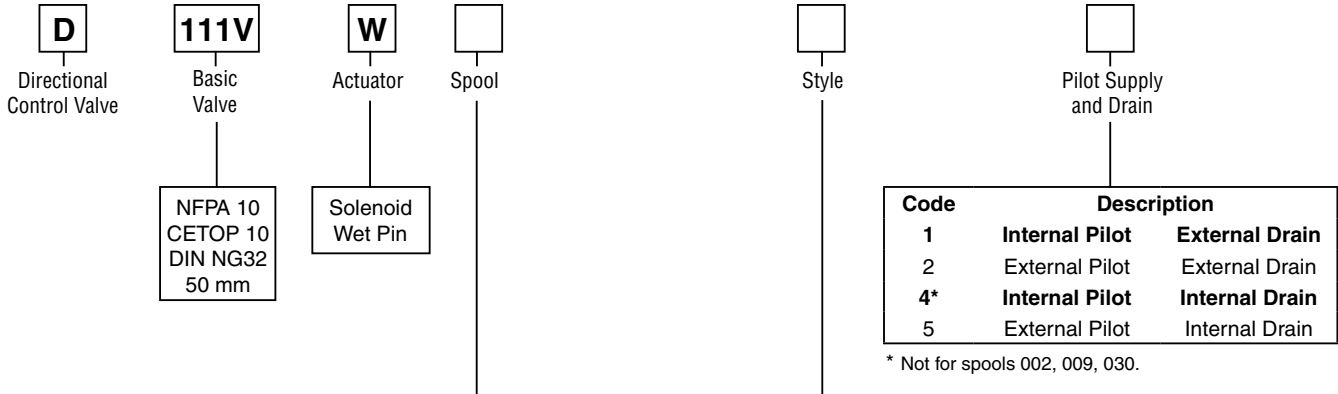


All characteristic curves measured with HLP46 at 50°C.



Spool Code	Curve Number				
	P-A	P-B	P-T	A-T	B-T
001	5	5	—	4	1
002	5	5	5	4	1
009	3	3	2	3	1
020	5	5	—	3	1
030	5	5	—	4	1
054	5	5	—	4	1

A



3-Position Spools	
Code	Spool Type
	a 0 b
001	
002	
009	
054	
081	
082	

2-Position Spools	
Code	Spool Type
	a b
020	
030	

3-Position Spools			
Code	All 3-Position Spools		
C			3 positions. Spring offset in position "0". Operated in position "a" or "b".
	Standard	Spool Type 009*	
E			2 positions. Spring offset in position "0".
F			2 positions. Operated in position "0".
K			2 positions. Spring offset in position "0".
M			2 positions. Operated in position "0".

2-Position Spools		
Code	Spool Position	
B		Spring offset in position "b". Operated in position "a".
H		Spring offset in position "a". Operated in position "b".

* Available only with external pilot.

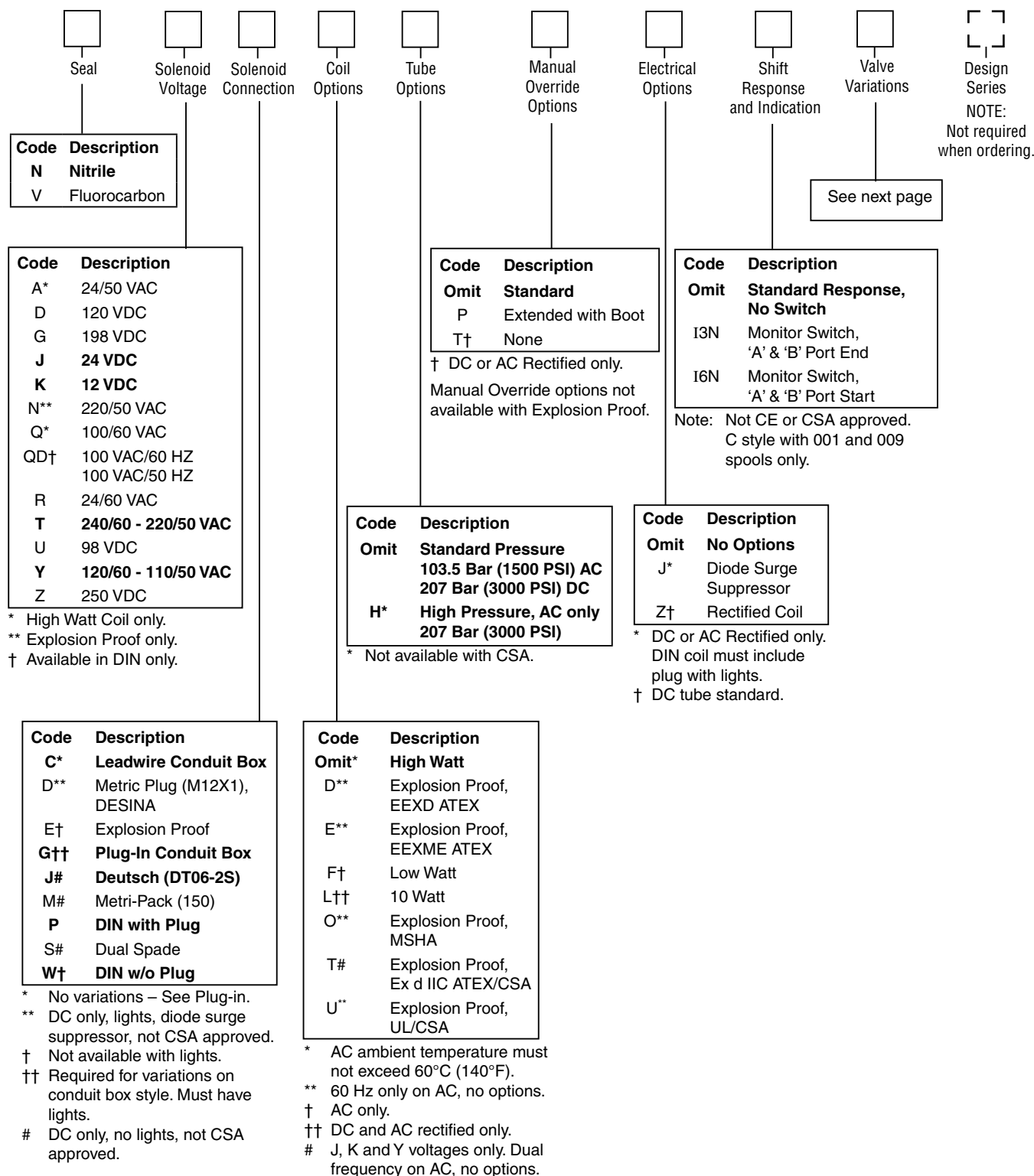
Weight:

Single Solenoid: 67.4 kg (148.6 lbs.)

Double Solenoid: 68.0 kg (149.9 lbs.)

Bold: Designates Tier I products and options.

Non-Bold: Designates Tier II products and options. These products will have longer lead times.



Bold: Designates Tier I products and options.

Non-Bold: Designates Tier II products and options. These products will have longer lead times.

Valve Variations

A

Code	Description
5*	Signal Lights – Standard
	Signal Lights – Hirsch. (DIN with Plug)
7B**	Manaplug – Brad Harrison (12x1) Micro with Lights
56**	Manaplug (Mini) with Lights
1C**	Manaplug (Mini) Single Sol. 5-pin, with Lights
1D**	Manaplug (Micro) Single Sol. 5-pin, with Lights
1G**	Manaplug (Mini) Single Sol. 5-pin, with Stroke Adjust 'A' & 'B' End and Lights
1H**	Manaplug (Micro) Single Sol. 5-pin, with Stroke Adjust 'A' & 'B' End and Lights
1M**	Manaplug Opposite Normal
1R	Stroke Adjust 'A' & 'B' End with Pilot Choke Meter In
3A	Pilot Choke Meter Out
3B	Pilot Choke Meter In
3C	Pilot Pressure Reducer
3D	Stroke Adjust 'B' End
3E	Stroke Adjust 'A' End
3F	Stroke Adjust 'A' & 'B' End
3G*	Pilot Choke Meter Out with Lights
3H*	Pilot Choke Meter In with Lights
3J*	Pilot Pressure Reducer with Lights
3K	Pilot Choke Meter Out with Stroke Adjust 'A' & 'B' End
3L**	Pilot Choke Meter Out, Stroke Adjust 'A' & 'B' End with Lights and Manaplug — Brad Harrison Mini
3M	Pilot Choke Meter Out, Pilot Pressure Reducer, Stroke Adjust 'A' & 'B' End
3R	Pilot Choke Meter Out & Pilot Pressure Reducer
3S**	Lights, Mini Manaplug, Pilot Choke Meter Out
7Y**	M12x1 Manaplug (4-pin), Special Wiring, and Lights

* DESINA, plug-in conduit box, and DIN with plug styles only.

** Must have plug-in style conduit box.



Solenoid Ratings

Insulation System	Class F
Allowable Deviation from rated voltage	-15% to +10% for DC and AC rectified coils -5% to +5% for AC Coils
Armature	Wet pin type
CSA File Number	LR60407
Environmental Capability	DC Solenoids meet NEMA 4 and IP67 when properly wired and installed. Contact HVD for AC coil applications.

Explosion Proof Solenoid Ratings*

U.L. & CSA (EU)	Class I, Div 1 & 2, Groups C & D Class II, Div 1 & 2, Groups E, F & G As defined by the N.E.C.
MSHA (EO)	Complies with 30CFR, Part 18
ATEX (ED)	Complies with ATEX requirements for: Exd, Group IIB; EN50014: 1999+ Amds. 1 & 2, EN50018: 2000
ATEX & CSA/US (ET)	Complies with ATEX EN60079-0, EN60079-1 Ex d IIC; CSA/US Ex d IIC, AEx d IIC for Class I, Zone 1, UL1203, UL1604, CSA E61241,1 Class II, Div 1

* Allowable Voltage Deviation ±10%.
 Note that Explosion Proof AC coils are single frequency only.

Code		Voltage	In Rush Amps Amperage	In Rush VA	Holding Amps @ 3MM	Watts	Resistance
Voltage Code	Power Code						
D	L	120 VDC	N/A	N/A	0.09 Amps	10 W	1584.00 ohms
D	Omit	120 VDC	N/A	N/A	0.26 Amps	30 W	528.00 ohms
G	Omit	198 VDC	N/A	N/A	0.15 Amps	30 W	1306.80 ohms
J	L	24 VDC	N/A	N/A	0.44 Amps	10 W	51.89 ohms
J	Omit	24 VDC	N/A	N/A	1.32 Amps	30 W	17.27 ohms
K	L	12 VDC	N/A	N/A	0.88 Amps	10 W	12.97 ohms
K	Omit	12 VDC	N/A	N/A	2.64 Amps	30 W	4.32 ohms
L	L	6 VDC	N/A	N/A	1.67 Amps	10 W	3.59 ohms
L	Omit	6 VDC	N/A	N/A	5.00 Amps	30 W	1.20 ohms
Q	Omit	100 VAC / 60 Hz	2.05 Amps	170 VA	0.77 Amps	30 W	19.24 ohms
QD	F	100 VAC / 60 Hz	1.35 Amps	135 VA	0.41 Amps	18 W	31.20 ohms
QD	F	100 VAC / 50 Hz	1.50 Amps	150 VA	0.57 Amps	24 W	31.20 ohms
R	F	24/60 VAC, Low Watt	6.67 Amps	160 VA	2.20 Amps	23 W	1.52 ohms
T	Omit	240/60 VAC	0.83 Amps	199 VA	0.30 Amps	30 W	120.40 ohms
T	Omit	220/50 VAC	0.87 Amps	191 VA	0.34 Amps	30 W	120.40 ohms
T	F	240/60 VAC, Low Watt	0.70 Amps	168 VA	0.22 Amps	21 W	145.00 ohms
T	F	220/50 VAC, Low Watt	0.75 Amps	165 VA	0.26 Amps	23 W	145.00 ohms
U	L	98 VDC	N/A	N/A	0.10 Amps	10 W	960.00 ohms
U	Omit	98 VDC	N/A	N/A	0.31 Amps	30W	288.00 ohms
Y	Omit	120/60 VAC	1.7 Amps	204 VA	0.60 Amps	30 W	28.20 ohms
Y	Omit	110/50 VAC	1.7 Amps	187 VA	0.68 Amps	30 W	28.20 ohms
Y	F	120/60 VAC, Low Watt	1.40 Amps	168 VA	0.42 Amps	21 W	36.50 ohms
Y	F	110/50 VAC, Low Watt	1.50 Amps	165 VA	0.50 Amps	23 W	36.50 ohms
Z	L	250 VDC	N/A	N/A	0.04 Amps	10 W	6875.00 ohms
Z	Omit	250 VDC	N/A	N/A	0.13 Amps	30 W	1889.64 ohms
Explosion Proof Solenoids							
R		24/60 VAC	7.63 Amps	183 VA	2.85 Amps	27 W	1.99 ohms
T		240/60 VAC	0.76 Amps	183 VA	0.29 Amps	27 W	1.34 ohms
N		220/50 VAC	0.77 Amps	169 VA	0.31 Amps	27 W	1.38 ohms
Y		120/60 VAC	1.60 Amps	192 VA	0.58 Amps	27 W	33.50 ohms
P		110/50 VAC	1.47 Amps	162 VA	0.57 Amps	27 W	34.70 ohms
K		12 VDC	N/A	N/A	2.75 Amps	33 W	4.36 ohms
J		24 VDC	N/A	N/A	1.38 Amps	33 W	17.33 ohms
"ET" Explosion Proof Solenoids							
K		12 VDC	N/A	N/A	1.00 Amps	12 W	12.00 ohms
J		24 VDC	N/A	N/A	1.00 Amps	13 W	44.30 ohms
Y		120/60-50 VAC	N/A	N/A	0.16 Amps	17 W	667.00 ohms

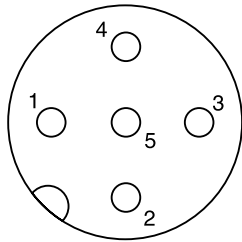
A

General		
Design	Directional Spool Valve	
Actuation	Solenoid	
Size	NG32	
Mounting Interface	DIN 24340 A32 / ISO 4401 / NFPA D10 / CETOP RP 121-H	
Mounting Position	Unrestricted, preferably horizontal	
Ambient Temperature	[°C]	-25...+50; (-13°F...+122°F) (without inductive position control)
	[°C]	0...+50; (+32°F...+122°F) (with inductive position control)
MTTF _D Value	[years]	75
Hydraulic		
Maximum Operating Pressure	Pilot drain internal: P, A, B, X 350 Bar (5075 PSI) T, Y 102 Bar (1500 PSI) AC only, 207 Bar (3000 PSI) DC/AC optional Pilot drain external: P, A, B, T, X 350 Bar (5075 PSI) Y 102 Bar (1500 PSI) AC only, 207 Bar (3000 PSI) DC/AC optional	
Fluid	Hydraulic oil in accordance with DIN 51524 / 51525	
Fluid Temperature	[°C]	-25 ... +70; (-13°F...+158°F)
Viscosity Permitted	[cSt]/[mm ² /s]	2.8...400 (13...1854 SSU)
Recommended	[cSt]/[mm ² /s]	30...80 (139...371 SSU)
Filtration	ISO 4406 (1999); 18/16/13 (meet NAS 1638: 7)	
Flow Maximum	2000 LPM (529.1 GPM)	
Leakage at 350 Bar (per flow path)	[ml/min]	up to 5000 (1.32 GPM) depending on spool
Minimum Pilot Supply Pressure	5 Bar (73 PSI)	
Static / Dynamic		
Step Response at 95%	Energized	
	De-energized	
DC Solenoids	Pilot Pressure	
	50 Bar [ms]	470
	100 Bar [ms]	320
	250 Bar [ms]	210
	350 Bar [ms]	200
AC Solenoids	Pilot Pressure [ms]	
	50 Bar [ms]	450
	100 Bar [ms]	300
	250 Bar [ms]	190
	350 Bar [ms]	180

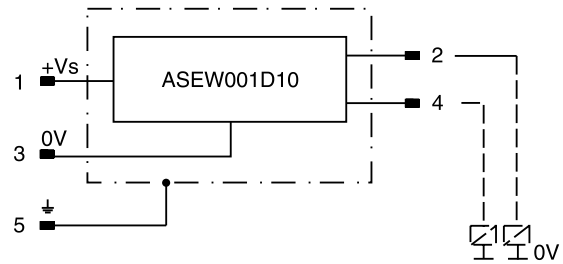
Position Control M12x1

Protection Class		IP 65 in accordance with EN 60529 (plugged and mounted)
Ambient Temperature	[°C]	0...+50; (+32°F...122°F)
Supply Voltage / Ripple	[V]	18...42 ±10%
Current Consumption without Load	[mA]	≤ 30
Max. Output Current per Channel, Ohmic	[mA]	400
Min. Output Load per Channel, Ohmic [kOhm]		100
Max. Output Drop at 0.2A	[V]	≤ 1.1
Max. Output Drop at 0.4A	[V]	≤ 1.6
EMC		EN50081-1 / EN50082-2
Max. Tolerance Ambient Field Strength	[A/m]	<1200
Min. Distance to Next AC Solenoid	[m]	>0.1
Interface		M12x1 per IEC 61076-2-101
Wiring Minimum	[mm²]	5 x 0.25 brad shield recommended
Wiring Length Maximum	[m]	50 (164 ft.) recommended

M12 Pin Assignment



- 1 + Supply 18...42V
- 2 Out B: normally closed
- 3 0V
- 4 Out A: normally open
- 5 Earth ground



Definitions

Start position monitored:

The valve is de-energized. The inductive switch gives a signal at the moment (below 15% spool stroke) when the spool leaves the spring offset position.

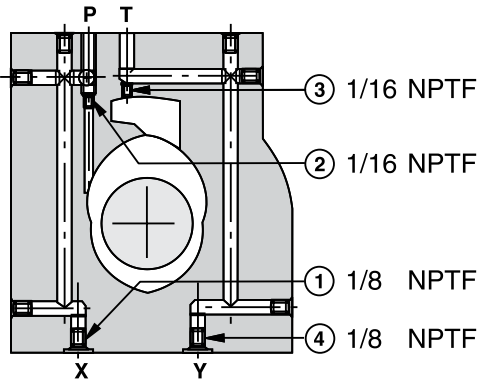
End position monitored:

The inductive switch gives a signal before the end position is reached. (above 85% spool stroke).

Delivery includes plug M12 x 1 (part no. 5004109).

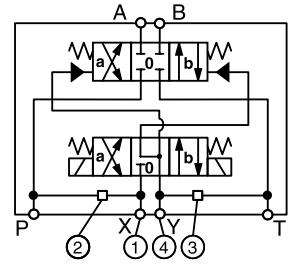
Pilot Oil Inlet (Supply) and Outlet (Drain)

A



○ open, ● closed

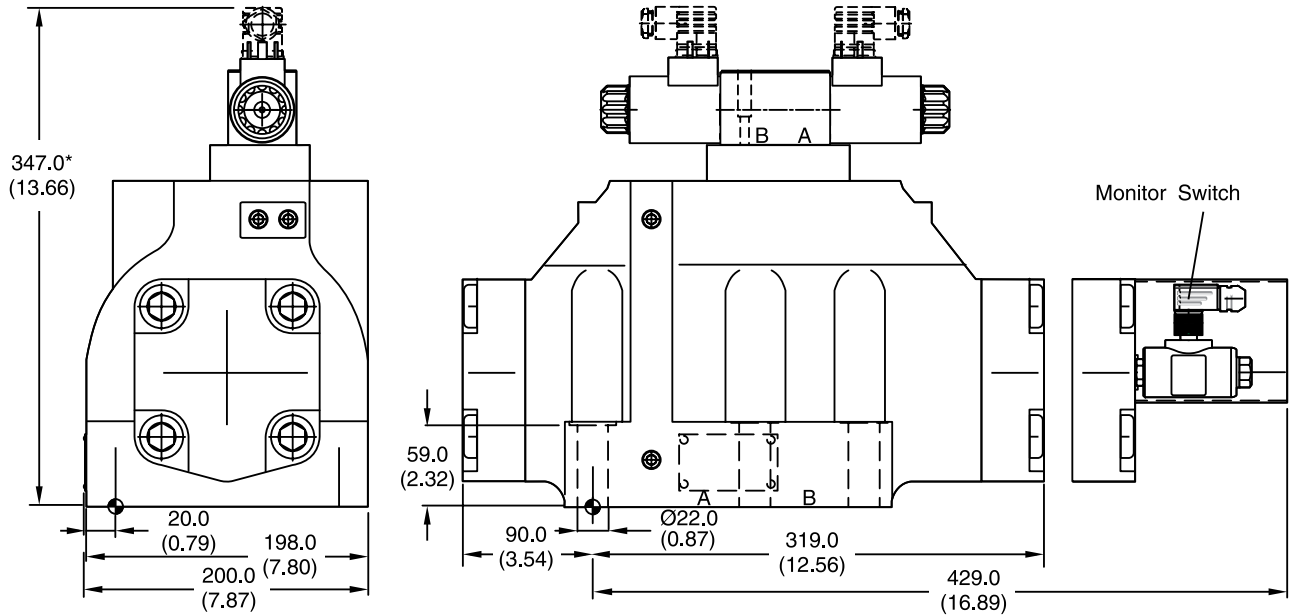
Pilot Oil		1	2	3	4
Inlet	Outlet				
internal	external	●	Orifice Ø1.5	●	○
external	external	Orifice Ø1.5	●	●	○
internal	internal	●	Orifice Ø1.5	○	●
external	internal	Orifice Ø1.5	●	○	●



All orifice sizes for standard valves

Dimensions

Inch equivalents for millimeter dimensions are shown in (**)



* Please add for each sandwich plate +40mm (1.58") (pressure reducing valve, pilot choke meter-in/-out).

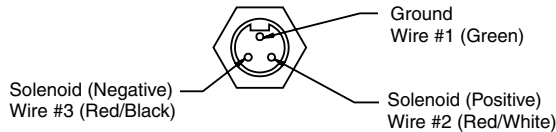
Surface Finish	Kit	Kit	Kit	Seal Kit
	BK386	6x M20x90 DIN 912 12.9	517 Nm (381.3 lb.-ft.)	Nitrile: SK-D111VW-N-91 Fluorocarbon: SK-D111VW-V-91

The space necessary to remove the plug per DIN 43650, design type AF is at least 15 mm (0.59 in.).

The torque for the screw M3 of the plug has to be 0.5 Nm (3.7 lb.-ft.) to 0.6 Nm (4.4 lb.-ft).

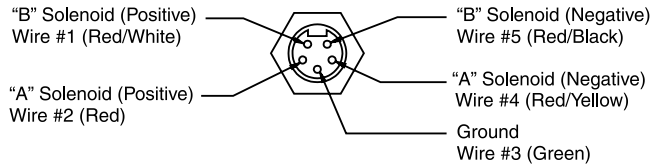
Manaplug (Options 56 & 1C)

- Interface – Brad Harrison Plug
- 3-Pin for Single Solenoid
- 5-Pin for Double Solenoid



3-Pin Manaplug (Mini) with Lights

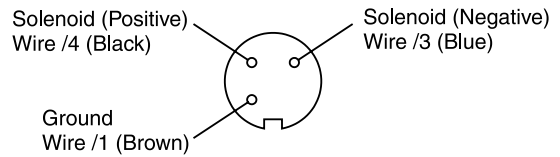
Single Solenoid Valves – Installed Opposite Side of Solenoid



5-Pin Manaplug (Mini) with Lights

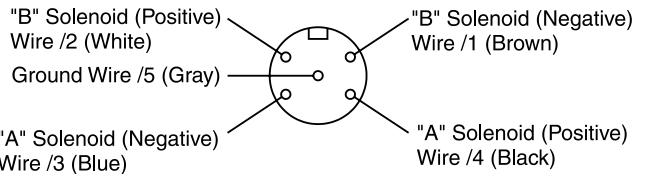
Single Solenoid Valves – Installed Opposite Side of Solenoid
Double Solenoid Valves – Installed Over "A" Solenoid
("A" and "B" Solenoids Reversed for #8 and #9 Spools)

Micro Connector Options (7B & 1D)



3-Pin Manaplug (Micro) with Lights

Single Solenoid Valves – Installed Opposite Side of Solenoid



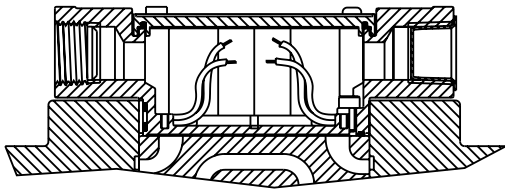
5-Pin Manaplug (Micro) with Lights

Single Solenoid Valves – Installed Opposite Side of Solenoid
Double Solenoid Valves – Installed Over "A" Solenoid
("A" and "B" Solenoids Reversed for #8 and #9 Spools)

Pins are as seen on valve (male pin connectors)

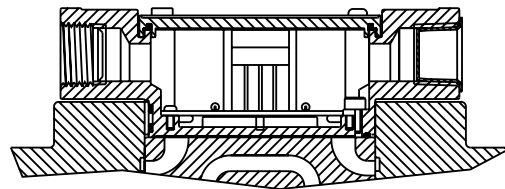
Conduit Box Option C

- No Wiring Options Available

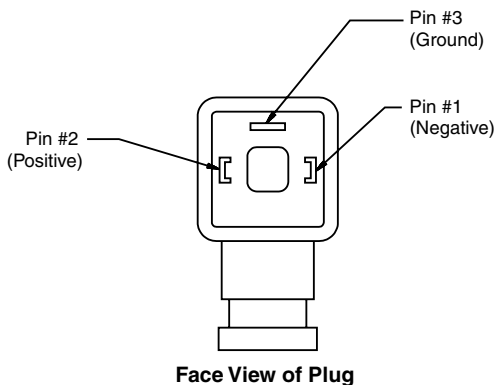


Signal Lights (Option 5) — Plug-in Only

- LED Interface
- Meets Nema 4/IP67

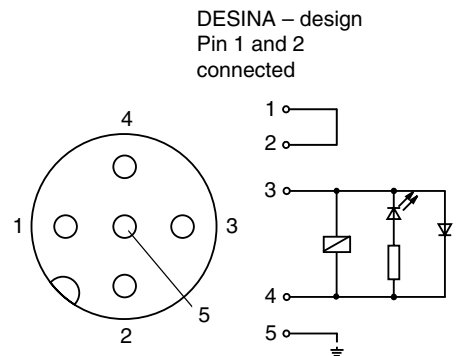


**Hirschmann Plug with Lights (Option P5)
ISO 4400/DIN 43650 Form "A"**



**DESINA Connector (Option D)
M12 pin assignment
Standard**

- 1 = Not used
- 2 = Not used
- 3 = 0V
- 4 = Signal (24 V)
- 5 = Earth Ground



Pins are as seen on valve (male pin connectors)

A

FOR MAXIMUM VALVE RELIABILITY, ADHERE TO THE FOLLOWING INSTALLATION INFORMATION.

The following is important installation information which applies to all directional control valves described in this catalog.

Mounting Position

Detent – Horizontal

Spring Offset – Unrestricted

Spring Centered – Unrestricted

Fluid Recommendations

Premium quality hydraulic oil with a viscosity range between 32-54 cSt (150-250 SSU) At 38°C (100°F) is recommended. The absolute operating viscosity range is from 16-220 cSt (80-1000 SSU). Oil should have maximum anti-wear properties and rust and oxidation treatment.

Fluids and Seals

Valves using synthetic, fire-resistant fluids require special seals. When phosphate esters or its blends are used, FLUOROCARBON seals are required. Water-glycol, water-in-oil emulsions and petroleum oil may be used with STANDARD seals.

Filtration

For maximum valve and system component life, the system should be protected from contamination at a level not to exceed 125 particles greater than 10 microns per milliliter of fluid (SAE class 4/ISO 16/13).

Silting

Silting can cause any sliding spool valve to stick and not spring return if held under pressure for long periods of time. The valve should be cycled periodically to prevent sticking.

Special Installations

Consult your Parker representative for any application requiring the following:

- Pressure above rating.
- Fluid other than those specified.
- Oil temperature above 71.1°C (160°F).
- Flow path other than normal.

Mounting Patterns

Series	NFPA	Size
D111V*, D10P	D10	1-1/4"

Torque Specifications

The recommended torque values for the bolts which mount the valve to the manifold or subplate are as follows: 406.8 Nm (300 ft-lbs).

Tank and Drain Line Surges

If several valves are piped with a common tank or drain line, flow surges in the line may cause an unexpected spool shift. Detent style valves are most susceptible to this. Separate tank and drain lines should be piped in installations where line surges are expected.

Electrical Characteristics (Detented Spool)

Only a momentary energizing of the solenoid is necessary to shift and hold a detented spool. Minimum duration of the signal is 0.1 seconds for DC voltages. For AC voltages the response time is 0.06 seconds. Spool position will be held provided the spool centerline is in a horizontal plane, and not shock or vibration is present to displace the spool.

Electrical Failure or Loss of Pilot Pressure

Should electric power fail or loss of pilot pressure occur, spring offset and spring centered valves will shift to the spring held position. Detented valves will stay in the last position held before power failure. If main flow does not fail or stop at the same time power fails, machine actuators may continue to function in an undesirable manner or sequence.

Pilot/Drain Characteristics

Pilot Pressure: 5 to 345 Bar (73 to 5000 PSI)

External: An oil source sufficient to maintain minimum pilot pressure must be connected to the "X" port of the main body. When using the external pilot variation, a 1/16" pipe plug must be present in the main body pilot passage. (For details see Technical pages.) This plug will be furnished in valves ordered with pilot code 2 or 5.

Internal: Flow is internally ported from the pressure port of the main valve body to the "P" port of the pilot valve. The pressure developed at the "P" port of the pilot valve must be 5 Bar (73 PSI) minimum at all times.

Pilot Valve Drain: Maximum pressure 102 Bar (1500 PSI) AC standard, 207 Bar (3000 PSI) AC optional/DC standard.

External: When using an external drain, a 10 x 24 x 0.31 long set screw must be present in the main body drain passage. (For details see Technical pages.) This plug will be furnished in valves ordered with drain code 1 or 2.

Drain flow from the pilot valve is at the "Y" port of the main body and must be piped directly to tank. Maximum drain line pressure is 102 Bar (1500 PSI) AC standard, 207 Bar (3000 PSI) AC optional/DC standard. Any drain line back pressure is additive to the pilot pressure requirement.

Internal: Drain flow from the pilot valve is internally connected to the main valve tank port. Tank and drain pressure are then identical so tank line pressure should not exceed 102 Bar (1500 PSI) AC standard, 207 Bar (3000 PSI) DC standard/AC optional. Any tank line back pressure is also additive to the pilot pressure requirement. If flow surges (a cause of pressure surges) are anticipated in the tank line, an external drain variation is recommended. The "Y" port in the subplate must be plugged when using an internal drain.

Style Code	Description	No Solenoid/Operator Energized	Solenoid/Operator A Energized	Solenoid/Operator B Energized
B	Spring Offset	P→A and B→T	—	P→B and A→T
C	Spring Centered	Centered	P→A and B→T	P→B and A→T
D	Detented	Last Position Held	P→A and B→T	P→B and A→T
E	Spring Centered	Centered	—	P→B and A→T
F	Spring Offset, Shift to Center	P→A and B→T	—	Centered
H	Spring Offset	P→B and A→T	P→A and B→T	—
K	Spring Centered	Centered	P→A and B→T	—
M	Spring Offset, Shift to Center	P→B and A→T	Centered	—

Subplate Mounting
NFPA D10, CETOP 10 & NG 32

A

Recommended Mounting Surface

Surface must be flat within .102 mm (0.0004 inch) T.I.R and smooth within 812.8 micro-meters (32 micro-inch). Torque bolts to 406.8 Nm (300 ft-lbs).

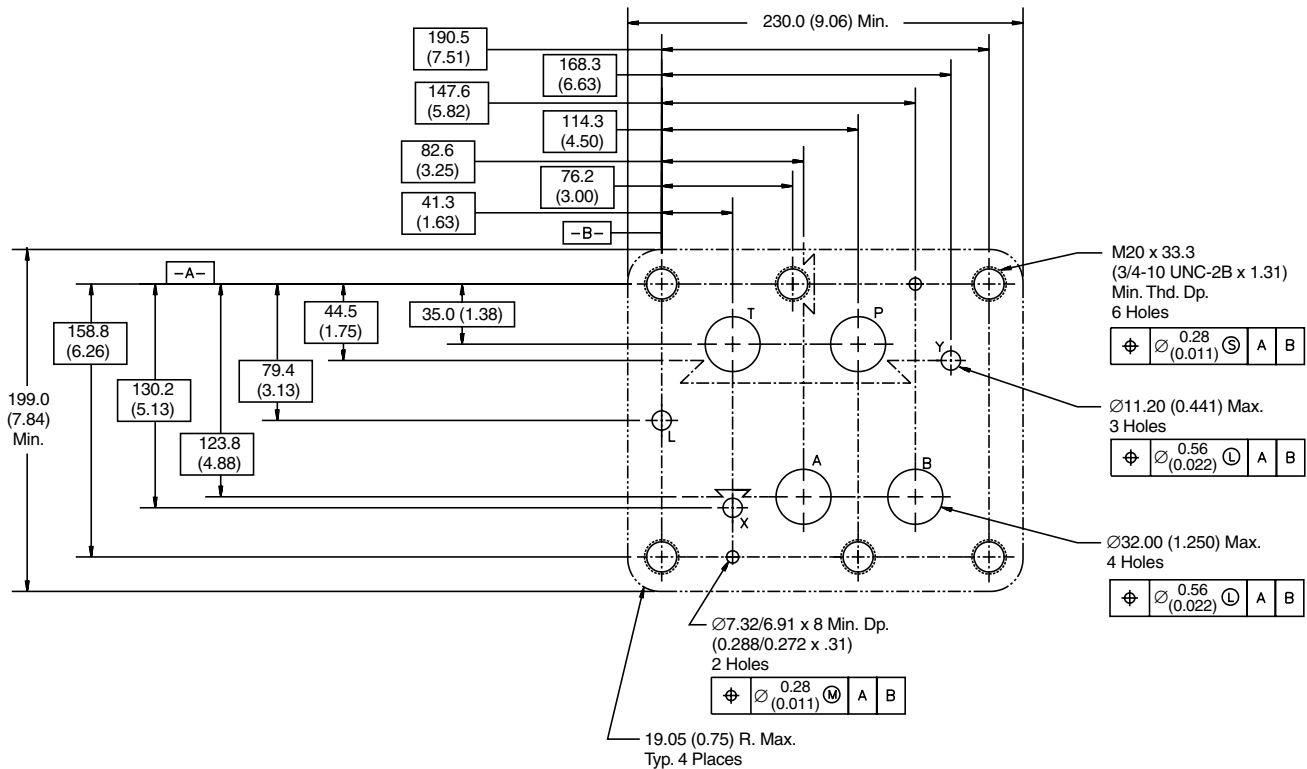
Mounting Position

Valve Type	Mounting Position
Detent (Solenoid)	Horizontal
Spring Offset	Unrestricted
Spring Centered	Unrestricted

For maximum valve reliability, adhere to the following installation information.

Mounting Pattern — NFPA D10, CETOP 10 & NG32

Inch equivalents for millimeter dimensions are shown in (**)



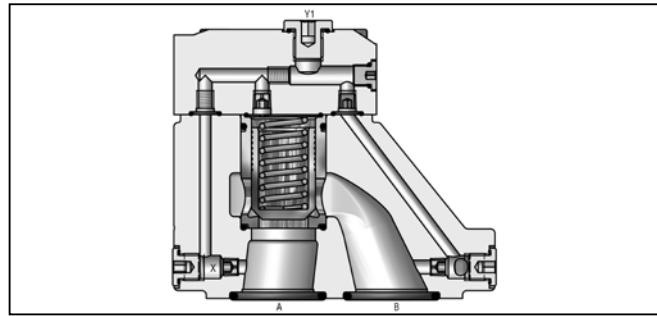
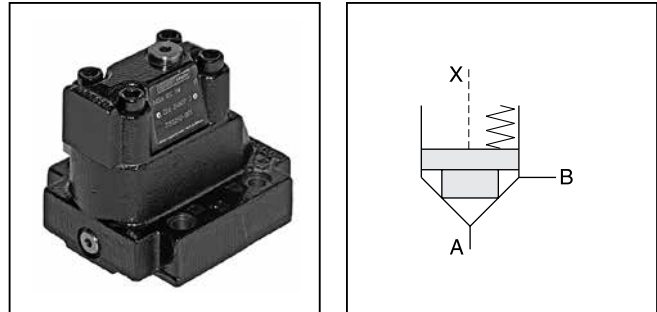
General Description

Series D4S seat valves are designed for directional control functions. A large variety of poppets, springs and covers - including shuttle valves, stroke limiters, solenoid valves (VV01) and position control - allow to design individual hydraulic solutions for nominal flow up to 600 LPM (158.7 GPM).

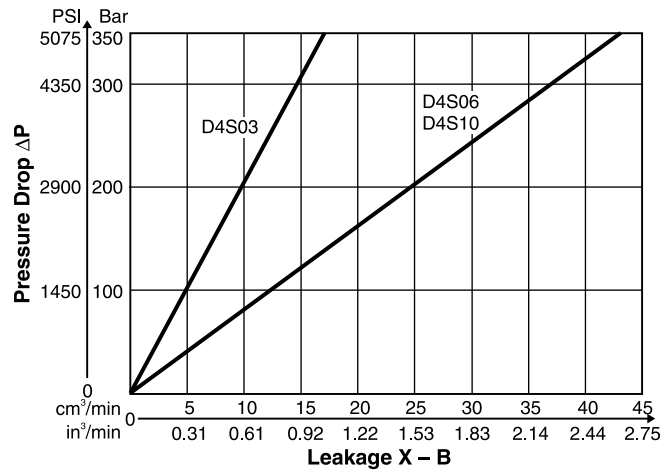
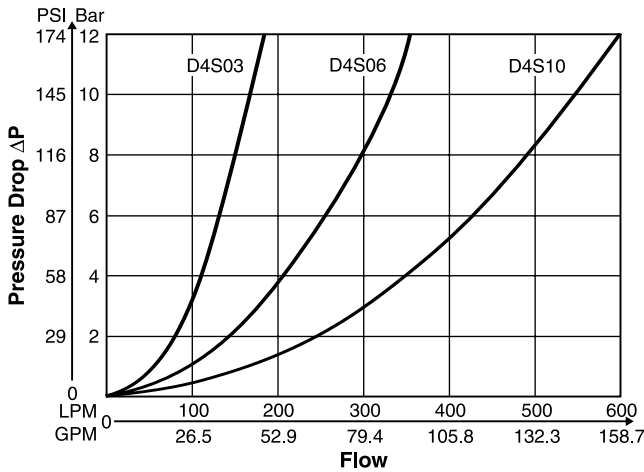
A complete program is offered under the Parker brand: subplate mounted valves (D4S), SAE flange valves (D5S), pipe mounted valves (D4S), slip-in cartridges (CAR - on request).

Features

- Subplate mounting acc. to ISO 5781.
- Leak-free seat valve design.
- Numerous pilot options.
- 6 poppet types.
- 3 sizes (NG10, 25, 32).



Performance Curves

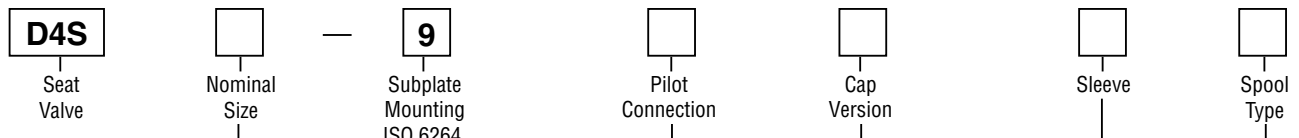


All characteristic curves measured with HLP46 at 50°C.

Selection of Cartridges

Sleeve 1, Poppet 1	Sleeve 1, Poppet 2	Sleeve 1, Poppet 4	Sleeve 3, Poppet 4	Sleeve 3, Poppet A	Sleeve 3, Poppet B/C
1 : 1.05 $A_A = 0.95 A_C$ $A_B = 0.05 A_C$ 15° chamfer	1 : 1.05 $A_A = 0.95 A_C$ $A_B = 0.05 A_C$ 15° chamfer orifice	1 : 1.05 $A_A = 0.95 A_C$ $A_B = 0.05 A_C$ 45° chamfer	1 : 1.67 $A_A = 0.6 A_C$ $A_B = 0.4 A_C$ 45° chamfer	1 : 1.67 $A_A = 0.6 A_C$ $A_B = 0.4 A_C$ 45° chamfer safety spool	1 : 1.67 $A_A = 0.6 A_C$ $A_B = 0.4 A_C$ 45° chamfer throttle spool

D4S.indd, dd



Code	Description
03	NG10
06	NG25
10	NG32

Code	Pilot Oil Line in Body	A-X B-Y	
		A-X	B-Y
1	Internal from A	○	○
2	External from X	●	○
A ¹⁾	Internal from A	○	○
B ¹⁾	External from X	●	○
C	Internal from A + B	○	○
D	Internal from B	●	○
G	External from Y	●	●

¹⁾ With VV01 only.

Code	Description
1	AA=95%, AB=5%
3	AA=60%, AB=40%

Code	Ports	X	Y	Z	X-Y	Y1	VV01
Standard							
1	Pilot Oil = Pilot Drain	○	●	○	○	●	—
C	Pilot Oil = Pilot Drain	●	○	○	○	●	—
With Solenoid Valve (VV01)							
2	External PD from cap	○	○	○	●	○	●
5	External to subplate	○	○	○	●	○	○
6	Internal pilot drain	○	○	○	○	○	○
With Stroke Limiter (not for D4S03)							
3	Pilot Oil = Pilot Drain	○	●	—	—	—	—
4	Pilot Oil = Pilot Drain	●	○	—	—	—	—

Key: ○ Open Bore ● Closed Bore ○ Orifice Ø 1.2
Note: Combination examples provided on pages A227-A229.

Code	Size	Poppet Type	Sleeve
1	03, 06, 10	With closed bottom and 15° chamfer (pZ max. = pA +20 Bar (290 PSI))	1
2	03	With 0.8 dia. orifice at the bottom and 15° chamfer	1
	06, 10	With 1.2 dia. orifice at the bottom and 15° chamfer	1
4	03, 06, 10	With closed bottom and 45° chamfer	1, 3
A*	06, 10	Safety spool (for end position control only)	3
B*	06, 10	Throttle spool, 10° chamfer	3
C*	06, 10	Throttle spool, 3° chamfer	3

* Springs 2, 3 and 6 only.

Spring

Switching
 Type

Solenoid
 Voltage

B
 Design
 Series

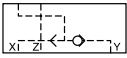
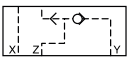
Seal

Options

Code	Description
Omit	Standard w/o vent function
G0R	12V
G0Q	24V
GAR	98V
GAG	205V
W30	110V 50Hz / 120V 60Hz
W31	230V 50Hz / 240V 60Hz

Code	Description
1	Nitrile
5	Fluorocarbon

Code	Description
Omit	Standard
013	Cover for End Position Control

Code	Description	
Omit	Standard without Vent Function	
09	VV01 with Manual Override	De-energized; power comp. open
10	VV01 without Manual Override	
11	VV01 with Manual Override	De-energized; power comp. closed
12	VV01 without Manual Override	
CA	Shuttle Valve	
DA	Shuttle Valve	
CB	VV01 Code 09 and Shuttle Valve Code CA	
CD	VV01 Code 11 and Shuttle Valve Code CA	
DB	VV01 Code 09 and Shuttle Valve Code DA	
DD	VV01 Code 11 and Shuttle Valve Code DA	
BH	VV01 Code 10 and Shuttle Valve Code CA and Position Control* with Amplifier	
BK	VV01 Code 12 and Shuttle Valve Code CA and Position Control* with Amplifier	
BN	VV01 Code 10 and Shuttle Valve Code DA and Position Control* with Amplifier	
BQ	VV01 Code 12 and Shuttle Valve Code DA and Position Control* with Amplifier	
BC	VV01 Code 10 and Position Control* with Amplifier	
BE	VV01 Code 12 and Position Control* with Amplifier	
BA	Position Control* with Amplifier	
BF	Position Control* with Amplifier and Shuttle Valve Code CA	
BL	Position Control* with Amplifier and Shuttle Valve Code DA	

Weight:
 D4S03 2.7 kg (6.0 lbs)
 D4S06 4.5 kg (9.9 lbs)
 D4S10 6.0 kg (13.2 lbs)

* Position control for D4S06/10 only.
 Spring 2 or 4. Spool A and sleeve 3.
 Valve open: Proximity Switch damped.

Code	Spring — Approx. Cracking Pressure in Bar (PSI)					
	Sleeve Code 1		Sleeve Code 3			
	A -> B		A -> B		B -> A	
	D4S03	D4S06/10	D4S03	D4S06/10	D4S03	D4S06/10
1	2.8 (40.6)	3.5 (50.8)	6.5 (94.3)	6.5 (94.3)	9.5 (137.8)	11.0 (159.5)
2	0.5 (7.3)	0.5 (7.3)	1.0 (14.5)	1.0 (14.5)	1.5 (21.8)	1.7 (24.7)
3	0.3 (4.4)	0.3 (4.4)	0.6 (8.7)	0.6 (8.7)	0.9 (13.1)	1.0 (14.5)
4	2.2 (31.9)	2.2 (31.9)	4.0 (58.0)	3.5 (50.8)	5.5 (79.8)	6.0 (87.0)
5	—	9.0 (130.5)	—	16.0 (232.0)	—	28.0 (406.0)
6	1.2 (17.4)	1.2 (17.4)	2.0 (29.0)	2.2 (31.9)	3.0 (43.5)	3.8 (55.1)
7	3.0 (43.5)	—	8.0 (116.0)	—	12.0 (174.0)	—

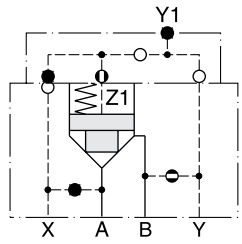
Specifications

General							
Size		03		06		10	
Mounting	Subplate according to ISO 6264						
Mounting Position	Unrestricted						
Ambient Temperature Range	-20°C to +50°C (-4°F to +122°F)						
MTTF_D	150 years						
Hydraulic							
Maximum Operating Pressure	Ports A, B	up to 350 Bar (5075 PSI)		up to 350 Bar (5075 PSI)		up to 350 Bar (5075 PSI)	
	Port Y with VV01	140 Bar (2030 PSI)		140 Bar (2030 PSI)		140 Bar (2030 PSI)	
Nominal Flow		180 LPM (47.6 GPM)		360 LPM (95.2 GPM)		600 LPM (158.7 GPM)	
Fluid	Hydraulic oil as per DIN 51524 ... 51525						
Fluid Temperature	-20°C to +80°C (-4°F to +176°F)						
Viscosity	Permitted	10 to 650 cSt / mm ² /s (46 to 3013 SSU)					
	Recommended	30 cSt / mm ² /s (139 SSU)					
Filtration	ISO Class 4406 (1999) 18/16/13 (acc. NAS 1638: 7)						
Electrical (Solenoid)							
Duty Ratio	100%						
Response Time	Energized / De-energized AC 20/18 ms, DC 46/27 ms						
Protection Class	IP65 in accordance with EN60529 (plugged and mounted)						
	Code	G0R	G0Q	GAR	GAG	W30	W31
Supply Voltage		12V	24V	98V	205V	110V at 50Hz/ 120V at 60 Hz	220V at 50Hz/ 240V at 60Hz
Tolerance Supply Voltage		+5 to -10	+5 to -10	+5 to -10	+5 to -10	+5 to -10	+5 to -10
Power Consumption, Hold [W]		31	31	31	31	78	78
Power Consumption, In Rush [W]		31	31	31	31	264	264
Max. Switching Frequency [1/h]		AC up to 7200; DC up to 16,000 switchings/hour					
Solenoid Connection	Connector as per EN175301-803						
Protection Class	IP65 in accordance with EN 60529 (plugged and mounted)						
Coil Insulation Class	H (180°C) (356°F)						

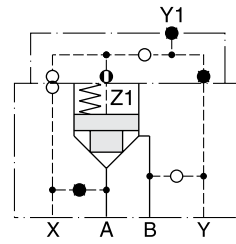
D4S Pilot Configuration

D4S Direct Operated	D4S with VV01

D4S Direct Operated Examples

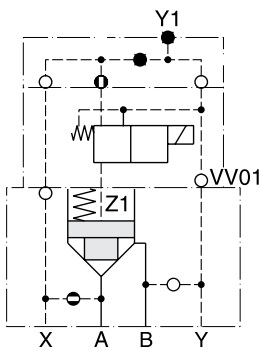


D4S...DC
 Pilot oil Y = internal from B

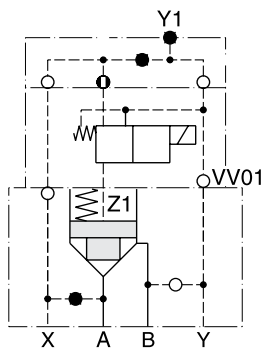


D4S...21
 Pilot oil X = external

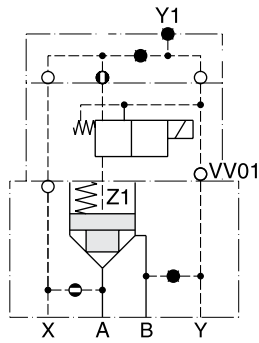
D4S with VV01 Examples



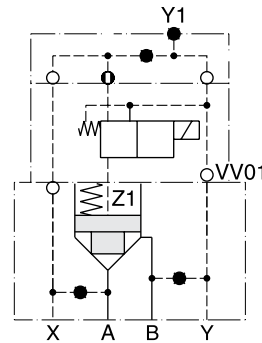
D4S...16...
 09 } with VV01
 10 }
 11 }
 12 }
 Pilot oil X = internal from A
 Drain Y = internal to B



D4S...26...
 09 } with VV01
 10 }
 11 }
 12 }
 Pilot oil X = external
 Drain Y = internal to B



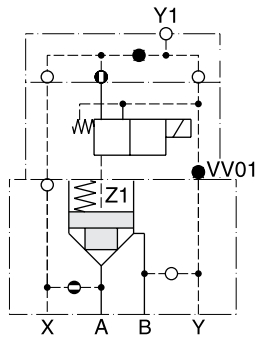
D4S...A5...
 09 } with VV01
 10 }
 11 }
 12 }
 Pilot oil X = internal from A
 Drain Y = external to subplate



D4S...B5...
 09 } with VV01
 10 }
 11 }
 12 }
 Pilot oil X = external
 Drain Y = external to subplate

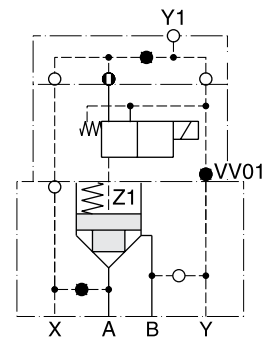
D4S with VV01 Examples

A



D4S...12... } with VV01
 09
 10
 11
 12

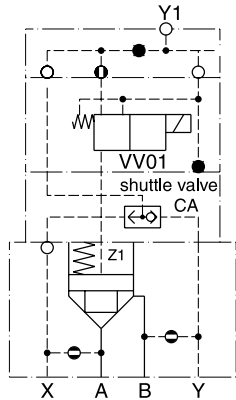
Pilot oil X = internal from A
 Drain Y1 = external out of the cap



D4S...22... } with VV01
 09
 10
 11
 12

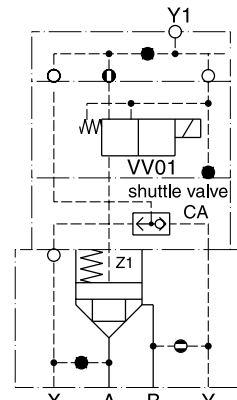
Pilot oil X = external
 Drain Y1 = external out of the cap

D4S with Shuttle Valve Examples



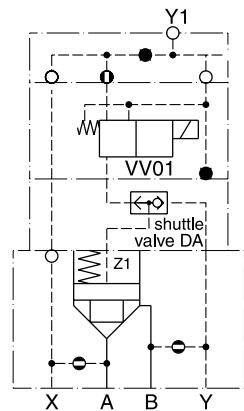
D4S...C2... } with shuttle valve CA
 CD } and VV01

Pilot oil = internal from A and B
 Drain Y1 = external out of the cap



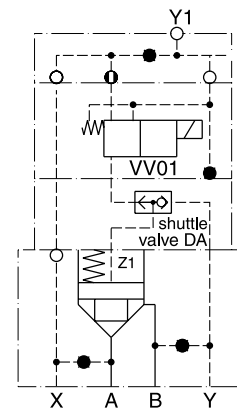
D4S...D2... } with shuttle valve CA
 CD } and VV01

Pilot oil = internal from B and
 external from X
 Drain Y1 = external out of the cap



D4S...C2... } with shuttle valve DA
 DD } and VV01

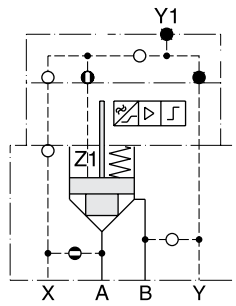
Pilot oil = internal from A and B
 (B-A = Check valve function)
 Drain Y1 = external out of the cap



D4S...B2... } with shuttle valve DA
 DD } and VV01

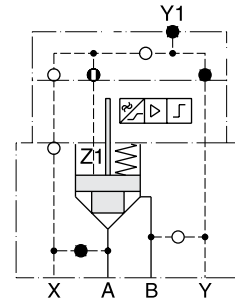
Pilot oil = external from X and Y
 Drain Y1 = external out of the cap

D4S with Position Control Examples



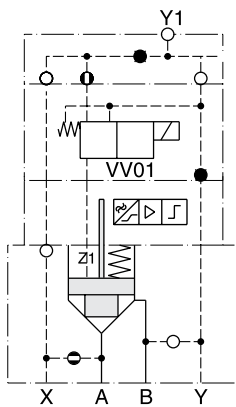
D4S.-.113A.BA
 (with position control)

Pilot oil X = internal from A



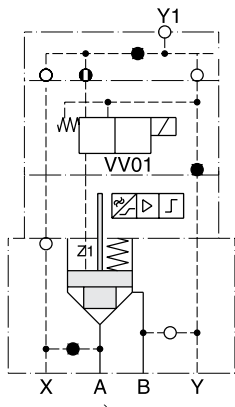
D4S.-.213A.BA
 (with position control)

Pilot oil X = external



D4S.-.123A. BC } with position control
 BE } and VV01

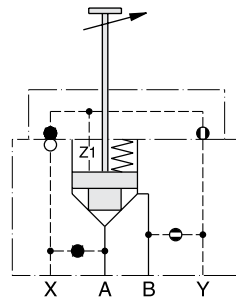
Pilot oil X = internal from A
 Drain Y1 = external out of the cap



D4S.-.223A. BC } with position control
 BE } and VV01

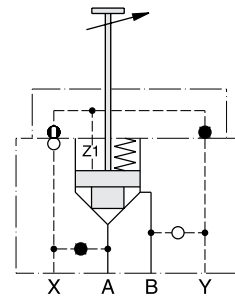
Pilot oil X = external
 Drain Y1 = external out of the cap

D4S with Stroke Limiter Examples



D4S.-.D434. with stroke limiter
 Pilot oil Y = internal from B

Note: for D4S06 and D4S10 only

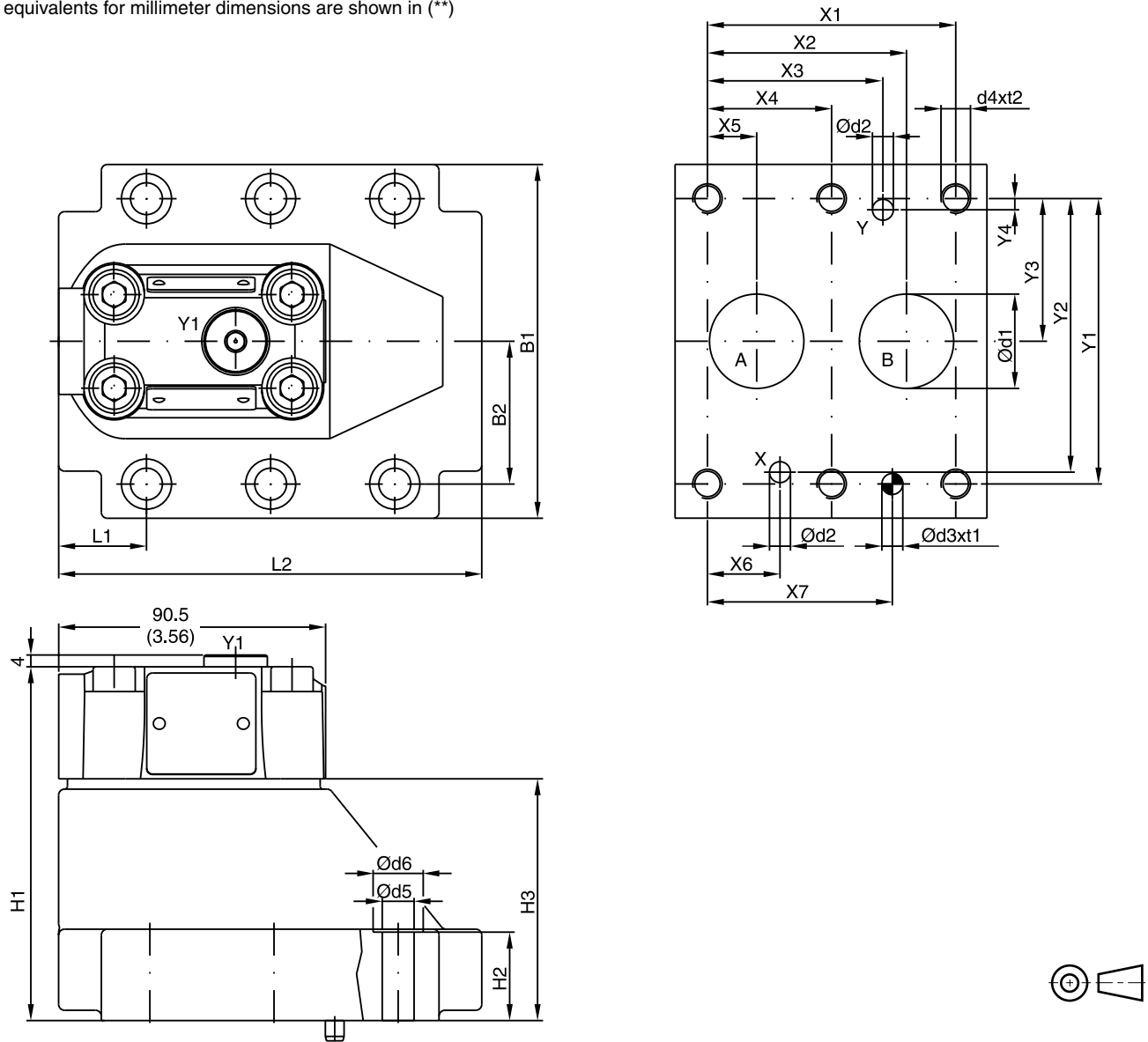


D4S.-.233B. with stroke limiter
 Pilot oil X = external

Note: for D4S06 and D4S10 only

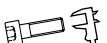

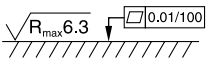
Inch equivalents for millimeter dimensions are shown in (**)

A



NG	ISO-code	X1	X2	X3	X4	X5	X6	X7	Y1	Y2	Y3	Y4
10	6264-06-09-*-97	42.9 (1.69)	35.8 (1.41)	21.5 (0.85)	-	7.2 (0.28)	21.5 (0.85)	31.8 (1.25)	66.7 (2.63)	58.8 (2.31)	33.4 (1.31)	7.9 (0.31)
25	6264-08-13-*-97	60.3 (2.37)	49.2 (1.94)	39.7 (1.56)	-	11.1 (0.44)	20.6 (0.81)	44.5 (1.75)	79.4 (3.13)	73.0 (2.87)	39.7 (1.56)	6.4 (0.25)
32	6264-10-17-*-97	84.2 (3.31)	67.5 (2.66)	59.5 (2.34)	42.1 (1.66)	16.7 (0.66)	24.6 (0.97)	62.7 (2.47)	96.8 (3.81)	92.8 (3.65)	48.4 (1.91)	3.8 (0.15)

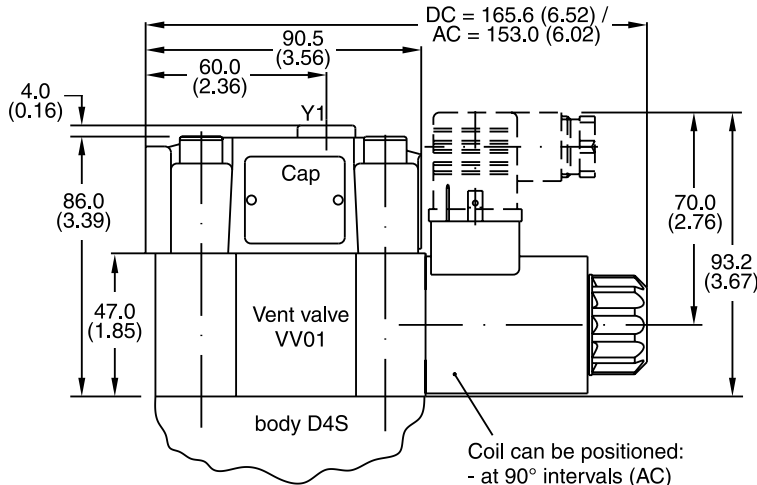
NG	ISO-code	B1	B2	H1	H2	H3	L1	L2	D1	D2	D3	t1	D4	t2	D5	D6
10	6264-06-09-*-97	87.3 (3.44)	33.35 (1.31)	83.0 (3.27)	21.0 (0.83)	45.0 (1.77)	29.0 (1.14)	94.8 (3.73)	15.0 (0.59)	7.0 (0.28)	7.1 (0.28)	8.0 (0.31)	M10	16.0 (0.63)	10.8 (0.43)	17.0 (0.67)
25	6264-08-13-*-97	105.0 (4.13)	39.7 (1.56)	109.5 (4.31)	29.0 (1.14)	71.5 (2.81)	34.7 (1.37)	126.8 (4.99)	23.4 (0.92)	7.1 (0.28)	7.1 (0.28)	8.0 (0.31)	M10	18.0 (0.71)	110.8 (4.33)	17.0 (0.67)
32	6264-10-17-*-97	120.0 (4.72)	48.4 (1.91)	120.0 (4.72)	29.0 (1.14)	82.0 (3.23)	30.6 (1.20)	144.3 (5.68)	32.0 (1.26)	7.1 (0.28)	7.1 (0.28)	8.0 (0.31)	M10	20.0 (0.79)	10.8 (0.43)	17.0 (0.67)

NG	ISO-code	Bolt Kit			Seal Kit	Surface Finish
					Nitrile / Fluorocarbon	
10	6264-06-07-*-97	BK 505	4x M10 x 35 DIN 912 12.9	63 Nm	S26-58507-0 / S26-58507-5	
25	6264-08-11-*-97	BK 485	4x M10 x 45 DIN 912 12.9	(46.5 lb.-ft.)	S26-58475-0 / S26-58475-5	
32	6264-10-15-*-97	BK 506	6x M10 x 45 DIN 912 12.9	±15%	S26-58508-0 / S26-58508-5	

D4S.indd, dd

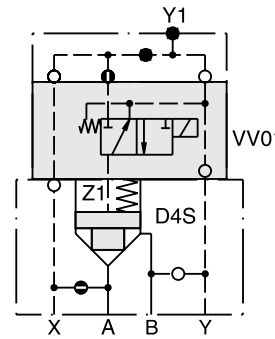
Inch equivalents for millimeter dimensions are shown in (**)

D4S with VV01



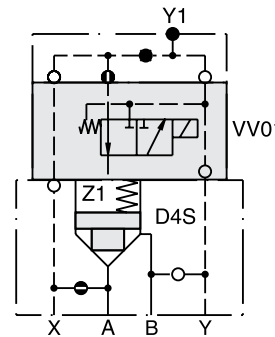
VV01 Seal Kits	
Nitrile	Fluorocarbon
DC Solenoid	
S26-58515-0	S26-58515-5
AC Solenoid	
S26-35237-0	S26-35237-5

Coil can be positioned:
- at 90° intervals (AC)
- in any position (DC)



with manual override | without manual override

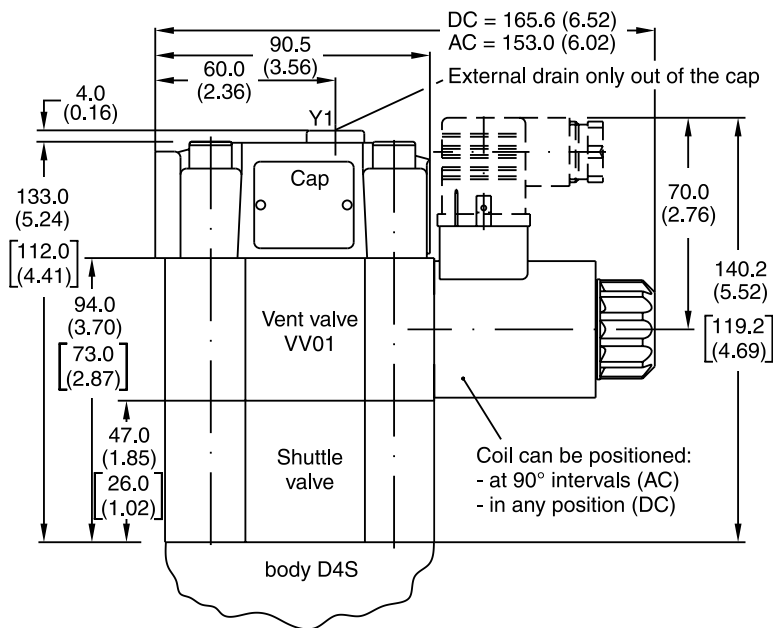
D4S.-..... 09/10
Solenoid energized:
D4S blocked
Solenoid de-energized:
Flow from A-B or B-A



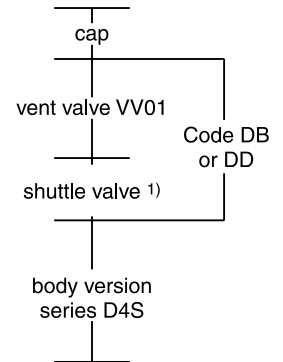
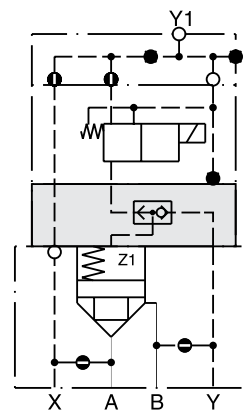
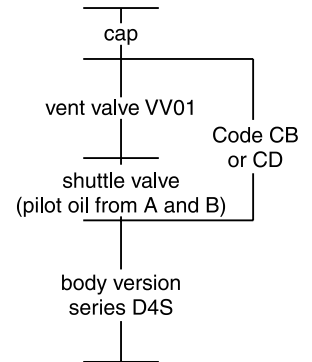
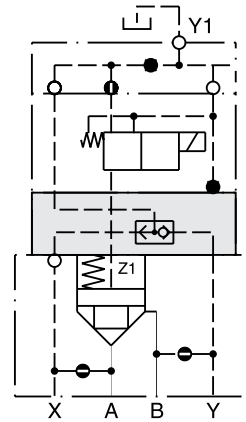
with manual override | without manual override

D4S.-..... 11/12
Solenoid energized:
Flow from A-B or B-A
Solenoid de-energized:
D4S Blocked

D4S with Shuttle Valve



Coil can be positioned:
- at 90° intervals (AC)
- in any position (DC)



Dimensions in brackets [] are for version VV01 with shuttle valve code DB or DD.

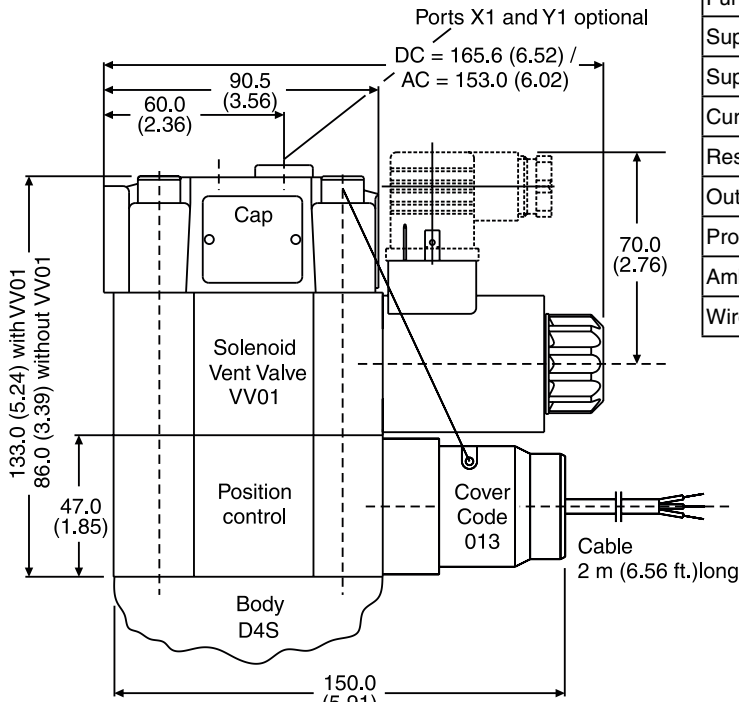
Note: Shuttle valves only use in connection with vent valve VV01.

1) pilot oil from A and B,
from B to A check valve function

Inch equivalents for millimeter dimensions are shown in (**)

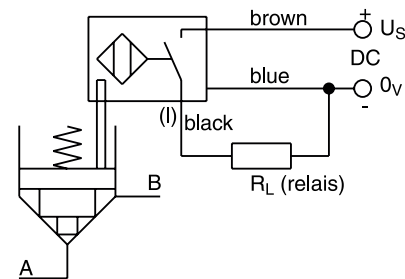
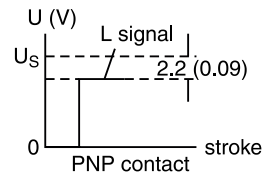


Dimensions D4S Position Control



Technical Information (proximity switch)

Function		PNP, contact
Supply voltage (Us)	[VDC]	10...30
Supply voltage ripple	[%]	≤ 10
Current consumption	[mA]	max. 8
Residual voltage L-signal	[V]	Us - 2.2 at I _{max}
Output current (I)	[mA]	≤ 200
Protection class		IP67
Ambient temperature	[C°]	-25...+70; (-13°F...+158° F)
Wire cross section	[mm ²]	3 x 0.5

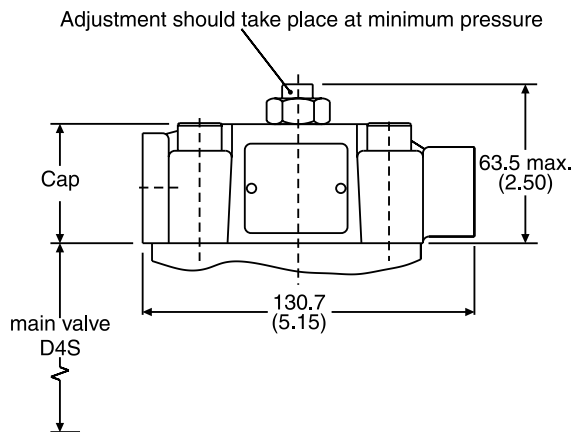


Position Control by Proximity Switch (incl. Amplifier)

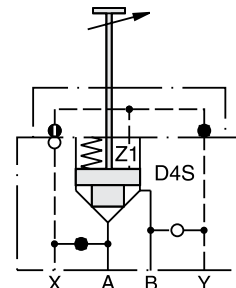
Valve open: proximity switch activated.
This proximity switch is pressure proof and has no wearing parts.

Note: Position control for D4S06 and D4S10 only.

Dimensions D4S Stroke Limiter



Example: D4S₁₀⁰⁶-23-3B.



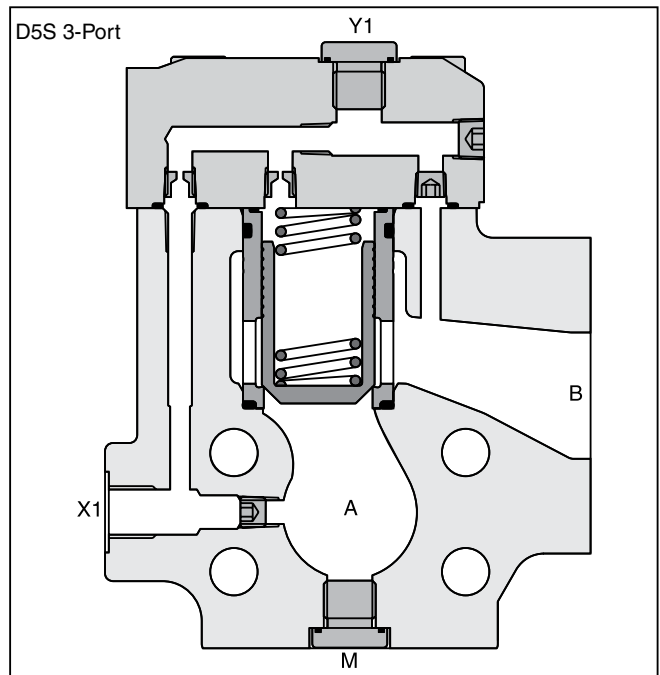
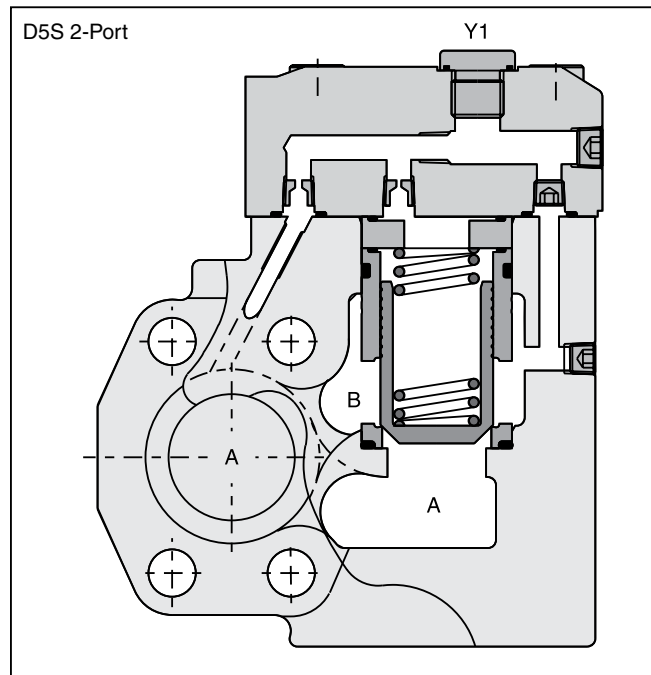
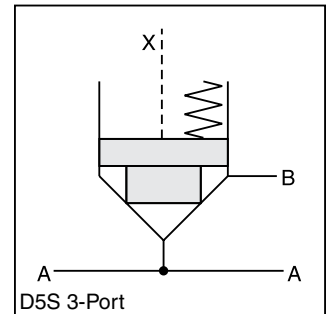
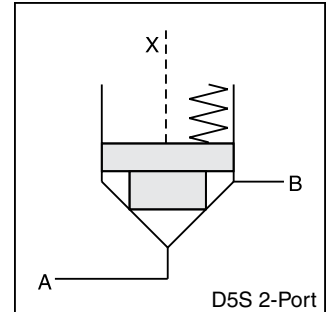
Note: Stroke limiter not for use with D4S03, vent valve VV01, shuttle valve and position control.

General Description

Series D5S seat valves are designed for directional control functions. They enable individual hydraulic solutions for nominal flow up to 800 LPM (211.6 GPM) due to a large variety of poppets, springs and covers, including shuttle valves, stroke limiters, solenoid valves (VV01) and position control.

Features

- Leak-free seat valve design.
- 2- and 3-port bodies.
- SAE61 flange.
- Numerous pilot options.
- 6 poppet types.
- 4 sizes (SAE 3/4", 1", 1 1/4", 1 1/2").



A

D5S
 Seat Valve

Size

Body

Pilot Body Configuration

Pilot Cap

Sleeve

Spool Type

Code	Description
06	SAE 3/4"
08	SAE 1"
10	SAE 1-1/4"
12*	SAE 1-1/2"

* D5S 3-Port only

Code	Body	Ports
9	3-Port	Seat entry, A; X1, Y1, M = SAE 4
1	2-Port	Seat entry, A; X1, Y1, M = SAE 4
2	2-Port	Annular entry, B; X1, Y1, M = SAE 4

Code	Pilot Oil Line in Body
1	Internal from A
2	Internal from B
3	Internal from A and B
4	External from X1
5	Internal from B, External from X1

Code	Description
1	AA=95%, AB=5%
3	AA=60%, AB=40%

Code	Body	Ports	X	Y	Z	X-Y	X1	Y1	VV01
Standard									
1	2 and 3-Port	Pilot Oil = Pilot Drain	●	●	●	○	-	●	-
2	2 and 3-Port	Pilot Oil = Pilot Drain	●	●	●	○	-	●	-
3	2-Port	Pilot Oil = Pilot Drain	●	●	●	○	○	●	-
With Solenoid Valve (VV01)									
4	2 and 3-Port	Internal to B	●	○	●	●	-	●	○
5	2-Port	Internal to B	●	○	●	●	○	●	○
6	2 and 3-Port	External Out of Cap	●	○	●	●	-	○	●
7	2-Port	External Out of Cap	●	○	●	●	○	○	●
With Stroke Limiter (not for D5S06)									
A	2 and 3-Port	Pilot Oil = Pilot Drain	●	●	●	-	●	-	-
B	2 and 3-Port	Pilot Oil = Pilot Drain	●	●	-	-	●	-	-
C	2-Port	Pilot Oil = Pilot Drain	●	●	●	-	○	-	-

Code	Size	Poppet Type	Sleeve
1	06, 08, 10, 12	With closed bottom and 15° chamfer (pZ max. = pA +20 Bar (290 PSI))	1
2	06	With 0.8 dia. orifice at the bottom and 15° chamfer	1
	08, 10	With 1.2 dia. orifice at the bottom and 15° chamfer	1
4	06, 08, 10, 12	With closed bottom and 45° chamfer	1, 3
A*	08, 10, 12	Safety spool (for end position control only)	3
B*	08, 10, 12	Throttle spool, 10° chamfer	3
C*	08, 10, 12	Throttle spool, 3° chamfer	3

Key: ○ Open Bore ● Closed Bore ● Orifice ∅ 1.2
Note: Combination examples provided on pages A238-A242.

* Springs 2, 3 and 6 only.

D5S.indd, dd

Spring

Switching
 Type

Solenoid
 Voltage

B
 Design
 Series

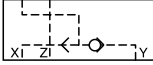
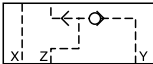
Seal

Options

Code	Description
Omit	Standard w/o vent function
G0R	12V
G0Q	24V
GAR	98V
GAG	205V
W30	110V 50Hz / 120V 60Hz
W31	220V 50Hz / 240V 60Hz

Code	Description
1	Nitrile
5	Fluorocarbon

Code	Description
Omit	Standard
013	Position Control with Protection

Code	Description	
omit	Standard without Vent Function	
09	VV01 with Manual Override	De-energized; power comp. open
10	VV01 without Manual Override	De-energized; power comp. open
11	VV01 with Manual Override	De-energized; power comp. closed
12	VV01 without Manual Override	De-energized; power comp. closed
CA	Shuttle Valve	
DA	Shuttle Valve	
CB	VV01 Code 09 and Shuttle Valve Code CA	
CD	VV01 Code 11 and Shuttle Valve Code CA	
DB	VV01 Code 09 and Shuttle Valve Code DA	
DD	VV01 Code 11 and Shuttle Valve Code DA	
BH	VV01 Code 10 and Shuttle Valve Code CA and Position Control* with Amplifier	
BK	VV01 Code 12 and Shuttle Valve Code CA and Position Control* with Amplifier	
BN	VV01 Code 10 and Shuttle Valve Code DA and Position Control* with Amplifier	
BQ	VV01 Code 12 and Shuttle Valve Code DA and Position Control* with Amplifier	
BC	VV01 Code 10 and Position Control* with Amplifier	
BE	VV01 Code 12 and Position Control* with Amplifier	
BA	Position Control* with Amplifier	
BF	Position Control* with Amplifier and Shuttle Valve Code CA	
BL	Position Control* with Amplifier and Shuttle Valve Code DA	

Weight:	D5S 2-Port	D5S 3-Port
D5S06	3.6 kg (7.9 lbs)	3.4 kg (7.5 lbs)
D5S08	4.1 kg (9.0 lbs)	4.4 kg (9.7 lbs)
D5S10	5.4 kg (11.9 lbs)	5.0 kg (11.0 lbs)
D5S12	—	7.8 kg (17.2 lbs)

* Position control for D5S08/10 only.
 Spring 2 or 4. Spool A and sleeve 3.

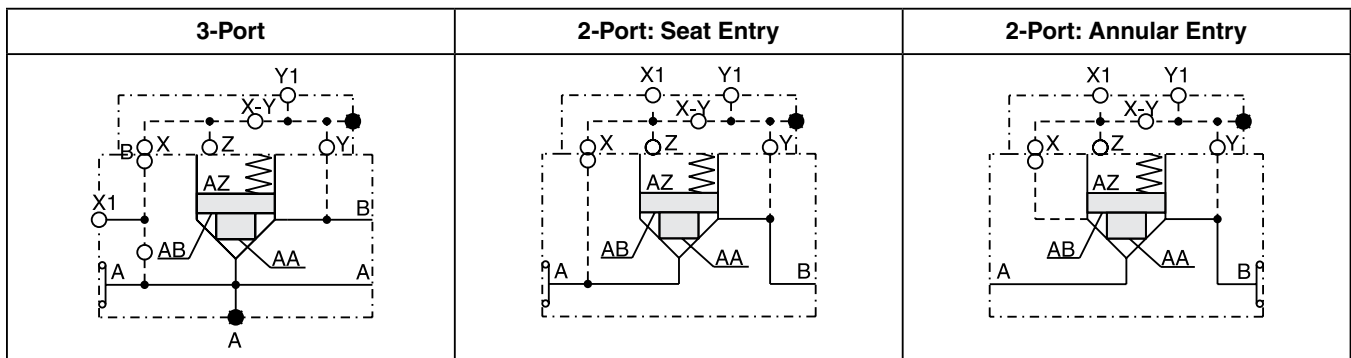
Code	Spring — Approx. Cracking Pressure in Bar (PSI)					
	Sleeve Code 1			Sleeve Code 3		
	A -> B		A -> B		B -> A	
	D5S06	D5S08/12	D5S06	D5S08/12	D5S06	D5S08/12
1	2.8 (40.6)	3.5 (50.8)	6.5 (94.3)	6.5 (94.3)	9.5 (137.8)	11.0 (159.5)
2	0.5 (7.3)	0.5 (7.3)	1.0 (14.5)	1.0 (14.5)	1.5 (21.8)	1.7 (24.7)
3	0.3 (4.4)	0.3 (4.4)	0.6 (8.7)	0.6 (8.7)	0.9 (13.1)	1.0 (14.5)
4	2.2 (31.9)	2.2 (31.9)	4.0 (58.0)	3.5 (50.8)	5.5 (79.8)	6.0 (87.0)
5	—	9.0 (130.5)	—	16.0 (232.0)	—	28.0 (406.0)
6	1.2 (17.4)	1.2 (17.4)	2.0 (29.0)	2.2 (31.9)	3.0 (43.5)	3.8 (55.1)
7	3.0 (43.5)	—	8.0 (116.0)	—	12.0 (174.0)	—

Specifications

A

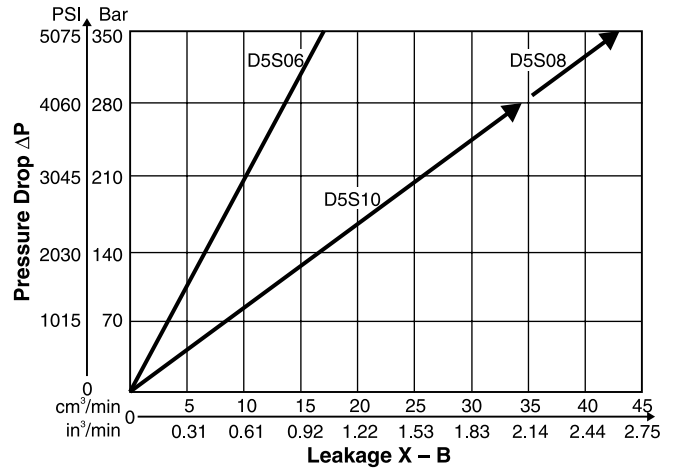
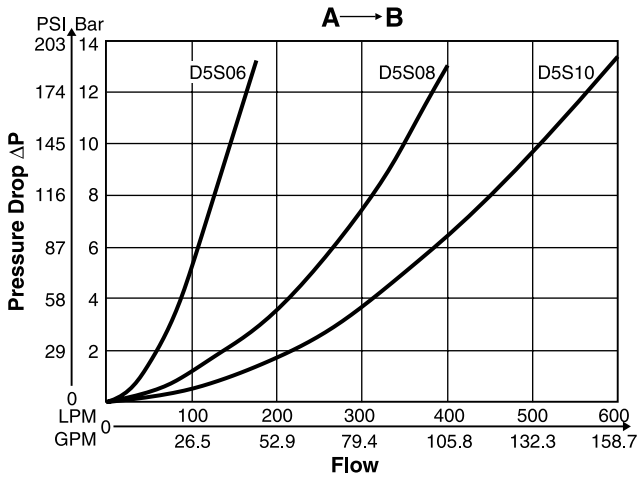
General		06	08	10	12	
Size						
Mounting		Flanged according to SAE 61				
Mounting Position		Unrestricted				
Ambient Temperature Range		-20°C to +50°C (-4°F to +122°F)				
Hydraulic						
Maximum Operating Pressure	SAE 61 Ports A, B	350 Bar (5075 PSI)	350 Bar (5075 PSI)	280 Bar (4060 PSI)	210 Bar (3045 PSI)	
	Port Y1	30 Bar (435 PSI)	30 Bar (435 PSI)	30 Bar (435 PSI)	30 Bar (435 PSI)	
Nominal Flow		180 LPM (47.6 GPM)	360 LPM (95.2 GPM)	600 LPM (158.7 GPM)	800 LPM (211.6 GPM)	
Fluid		Hydraulic oil as per DIN 51524 ... 51525				
Fluid Temperature		-20°C to +80°C (-4°F to +176°F)				
Viscosity	Permitted Recommended	10 to 650 cSt / mm ² /s (46 to 3013 SSU) 30 cSt / mm ² /s (139 SSU)				
Filtration		ISO Class 4406 (1999) 18/16/13 (acc. NAS 1638: 7)				
Electrical (Solenoid)						
Duty Ratio		100%				
Response Time		Energized / De-energized AC 20/18ms, DC 46/27 ms				
Protection Class		IP65 in accordance with EN60529 (plugged and mounted)				
	Code	G0R	G0Q	GAR	GAG	W30 W31
Supply Voltage		12V	24V	98V	205V	110V at 50Hz 120V at 60 Hz 220V at 50Hz/ 240V at 60Hz
Tolerance Supply Voltage		+5 to -10	+5 to -10	+5 to -10	+5 to -10	±5 to -10 ±5 to -10
Power Consumption	Hold	31W	31W	31W	31W	78W 78W
	In Rush	31W	31W	31W	31W	264W 264W
Maximum Switching Frequency		AC up to 7200; DC up to 16,000 switchings/hour				
Solenoid Connection		Connector as per EN175301-803				
Protection Class		IP65 in accordance with EN 60529 (plugged and mounted)				
Coil Insulation Class		H (180°C) (356°F)				

D5S Pilot Configuration

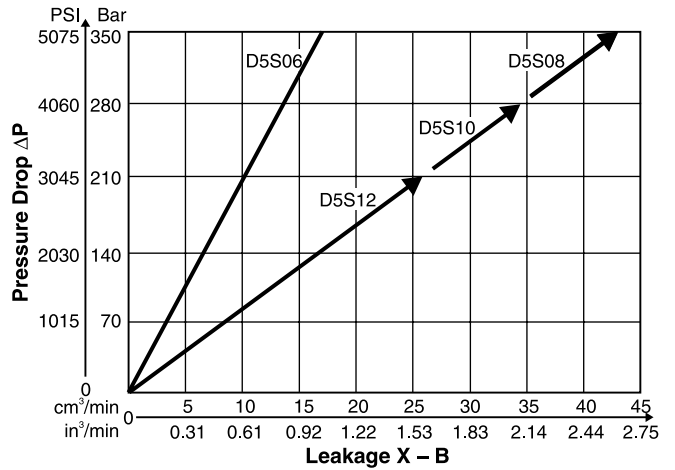
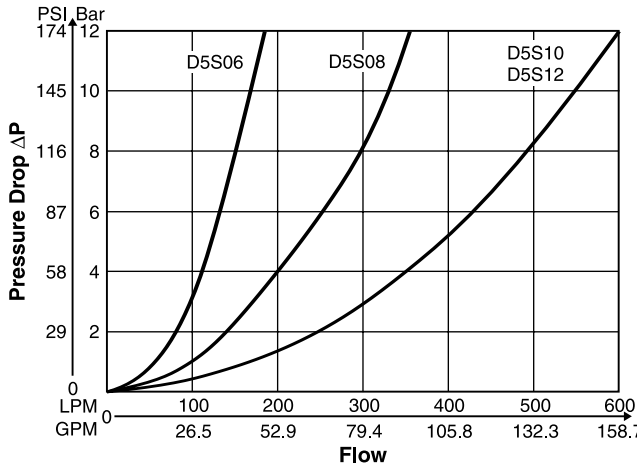


Performance Curves

D5S 2-Port*



D5S 3-Port*



*Fluid viscosity 38cSt at 50°C (122°F)

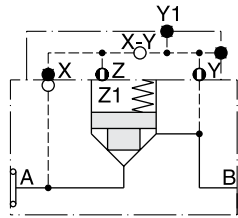
Selection of Cartridges

Sleeve 1, Poppet 1	Sleeve 1, Poppet 2	Sleeve 1, Poppet 4	Sleeve 3, Poppet 4	Sleeve 3, Poppet A	Sleeve 3, Poppet B/C
1 : 1.05 $A_A = 0.95 A_C$ $A_B = 0.95 A_C$ 15° chamfer	1 : 1.05 $A_A = 0.95 A_C$ $A_B = 0.95 A_C$ 15° chamfer orifice	1 : 1.05 $A_A = 0.95 A_C$ $A_B = 0.95 A_C$ 45° chamfer	1 : 1.67 $A_A = 0.6 A_C$ $A_B = 0.4 A_C$ 45° chamfer	1 : 1.67 $A_A = 0.6 A_C$ $A_B = 0.4 A_C$ 45° chamfer safety spool	1 : 1.67 $A_A = 0.6 A_C$ $A_B = 0.4 A_C$ 45° chamfer throttle spool

D5S.indd, dd

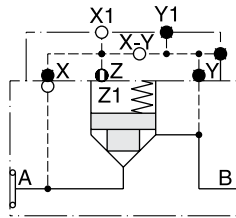
D5S 2-Port Examples

Seat Entry



D5S...-722

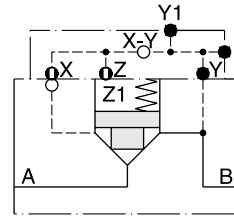
Pilot oil: internal from B



D5S...-743

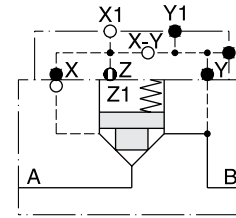
Pilot oil: external from X1

Annular Entry



D5S...-821

Pilot oil: internal from B

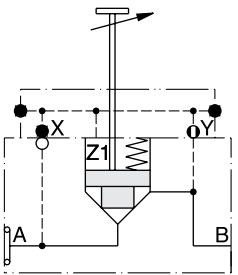


D5S...-843

Pilot oil: external from X1

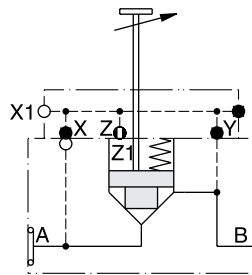
Stroke Limiter D5S 2-Port Examples

Seat Entry



D5S08-72B
 10

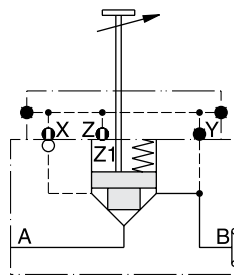
Pilot oil: internal from B



D5S08-74C
 10

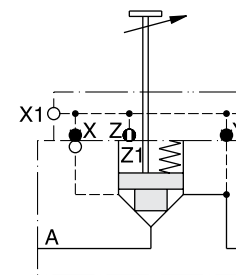
Pilot oil: external from X1

Annular Entry



D5S08-82A
 10

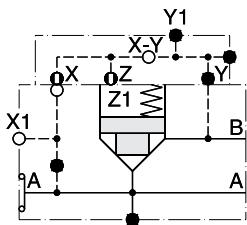
Pilot oil: internal from B



D5S08-84C
 10

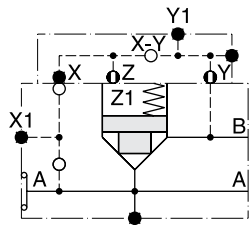
Pilot oil: external from X1

D5S 3-Port Examples



D5S ...-541

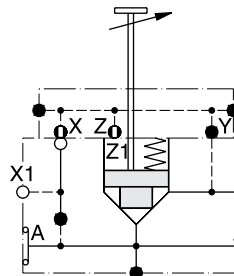
Pilot oil: external from X1



D5S ...-522

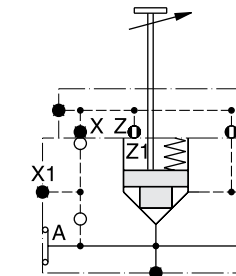
Pilot oil: internal from B

Stroke Limiter D5S 3-Port Examples



D5S08-54A
 10
 12

Pilot oil: external from X1



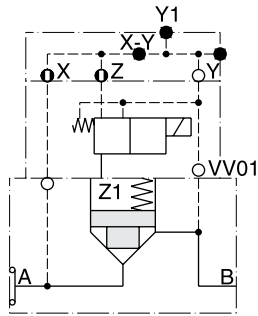
D5S08-52B
 10
 12

Pilot oil: internal from B

D5S 2-Port with Solenoid Valve VV01 Examples

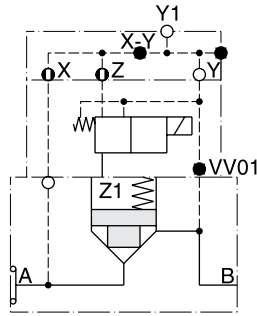
Seat Entry

Annular Entry



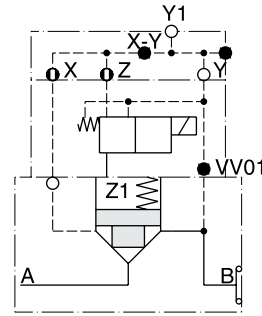
D5S..-714...09
 10
 11
 12

Pilot oil: internal from A
 Pilot drain: internal to B



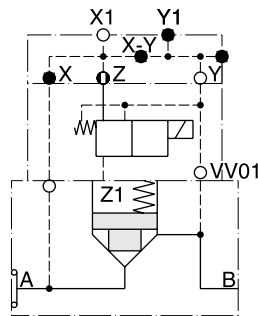
D5S..-716...09
 10
 11
 12

Pilot oil: internal from A
 Pilot drain: external out of Y1



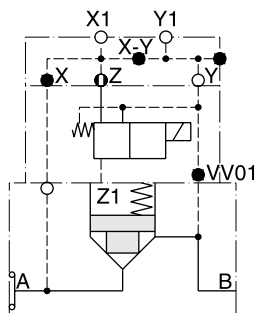
D5S..-826...09
 10
 11
 12

Pilot oil: internal from B
 Pilot drain: external out of Y1



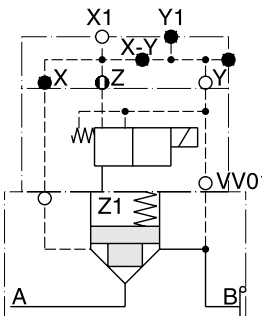
D5S..-745...09
 10
 11
 12

Pilot oil: internal from X1
 Pilot drain: internal to B



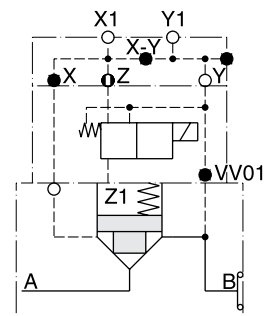
D5S..-747...09
 10
 11
 12

Pilot oil: internal from X1
 Pilot drain: external out of Y1



D5S..-845...09
 10
 11
 12

Pilot oil: internal from X1



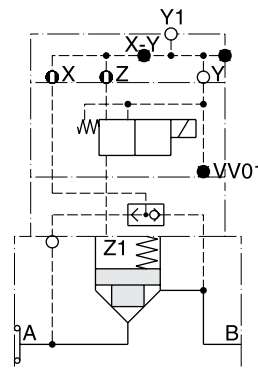
D5S..-847...09
 10
 11
 12

Pilot oil: internal from X1
 Pilot drain: external out of Y1

D5S 2-Port with Solenoid Valve VV01 and Shuttle Valve Examples

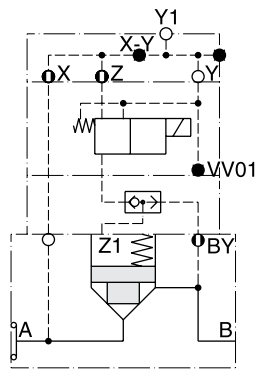
Seat Entry

Annular Entry



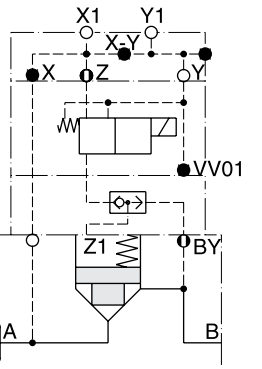
D5S..-736...CB
 CD

Pilot oil: internal from A +
 internal from B
 Pilot drain: external out of Y1



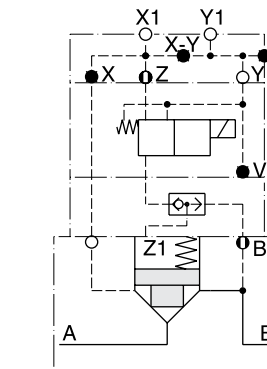
D5S..-736...DB
 DD

Pilot oil: internal from A +
 internal from B
 Pilot drain: external out of Y1



D5S..-757...DB
 DD

Pilot oil: external from X1 +
 internal from B
 Pilot drain: external out of Y1

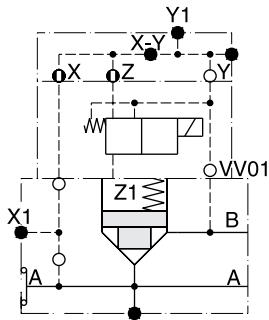


D5S..-857...DB
 DD

Pilot oil: external from X1 +
 internal from B
 Pilot drain: external out of Y1

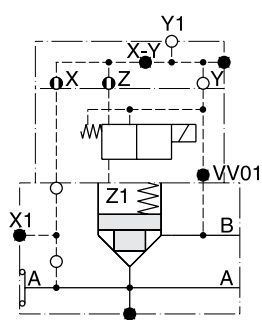
D5S 3-Port with Solenoid Valve VV01 Examples

A



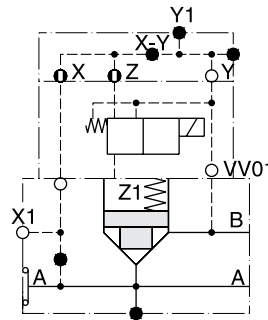
D5S ..-514...09
 10
 11
 12

Pilot oil: internal from A
 Pilot drain: internal to B



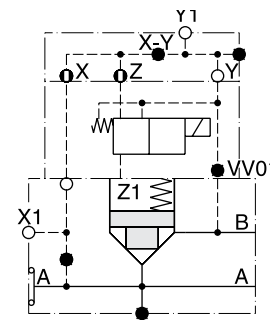
D5S ..-516...09
 10
 11
 12

Pilot oil: internal from A
 Pilot drain: external out of Y1



D5S ..-544...09
 10
 11
 12

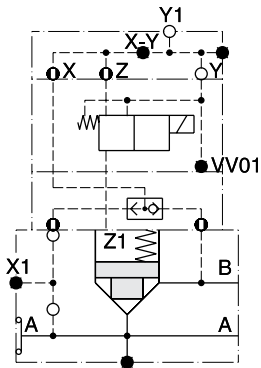
Pilot oil: external from X1
 Pilot drain: internal to B



D5S ..-546...09
 10
 11
 12

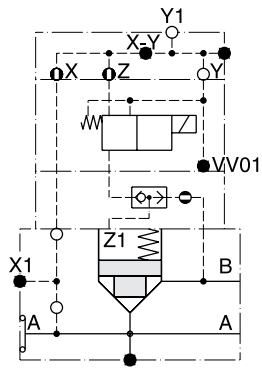
Pilot oil: external from X1
 Pilot drain: external out of B

D5S 3-Port with Solenoid Valve VV01 and Shuttle Valve Examples



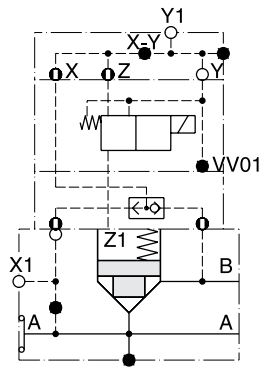
D5S ..-536...CB
 CD

Pilot oil: internal from A +
 internal from B
 Pilot drain: external out of Y1



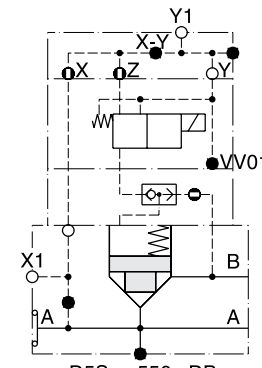
D5S ..-536...DB
 DD

Pilot oil: internal from A +
 internal from B
 Pilot drain: external out of Y1



D5S ..-556...CB
 CD

Pilot oil: internal from X1 +
 internal from B
 Pilot drain: external out of Y1

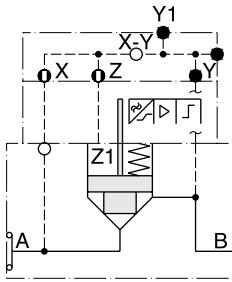


D5S ..-556...DB
 DD

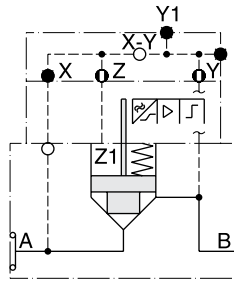
Pilot oil: external from X1 +
 internal from B
 Pilot drain: external out of Y1

D5S 2-Port Position Control Examples

Seat Entry

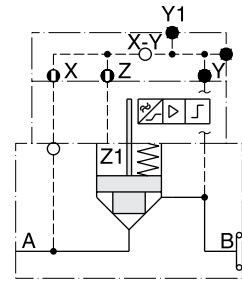


D5S08-7113A.BA
 D5S10
 Pilot oil: internal from A

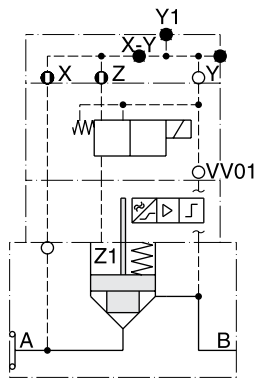


D5S08-7223A.BA
 D5S10
 Pilot oil: internal from B

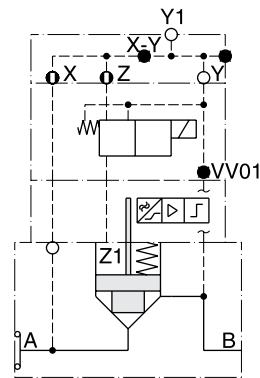
Annular Entry



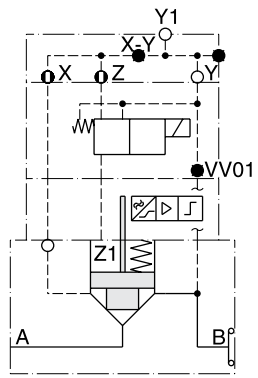
D5S08-8213A.BA
 D5S10
 Pilot oil: internal from B



D5S08-7143A.BC
 D5S10 BE
 Pilot oil: internal from A
 Pilot drain: internal to B

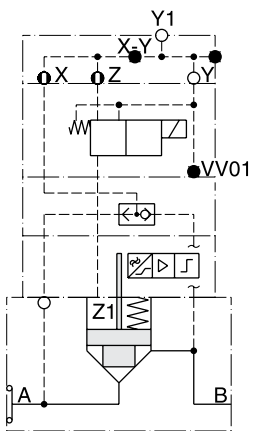


D5S08-7163A.BC
 D5S10 BE
 Pilot oil: internal from A
 Pilot drain: external out of Y1

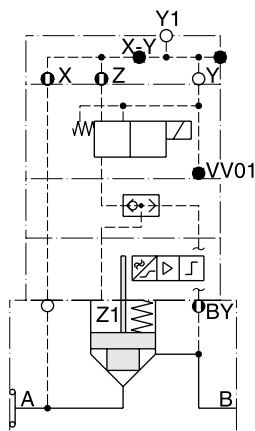


D5S08-8263A.BC
 D5S10 BE
 Pilot oil: internal from B
 Pilot drain: external out of Y1

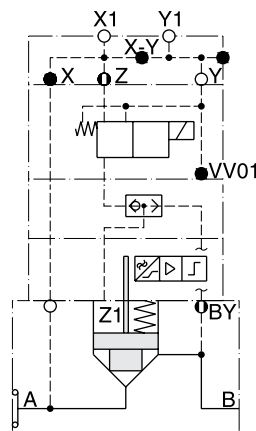
Seat Entry



D5S ...-736...BH
 BK
 Pilot oil: internal from A +
 internal from B
 Pilot drain: external out of Y1

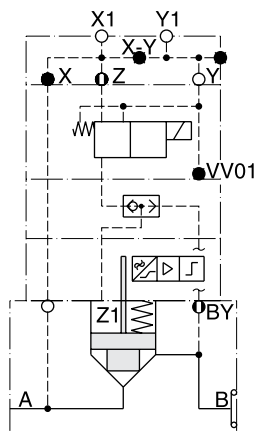


D5S ...-736...BN
 BQ
 Pilot oil: internal from A +
 internal from B
 Pilot drain: external out of Y1



D5S ...-757...BN
 BQ
 Pilot oil: external from X1 +
 internal from B
 Pilot drain: external out of Y1

Annular Entry



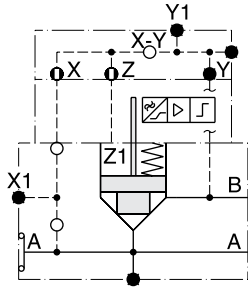
D5S ...-857...BN
 BQ
 Pilot oil: external from X1 +
 internal from B
 Pilot drain: external out of Y1

D5S 3-Port Position Control Examples

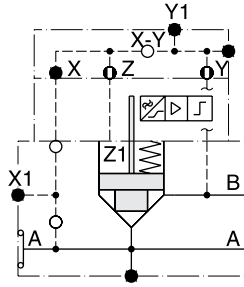
Seat Entry

Annular Entry

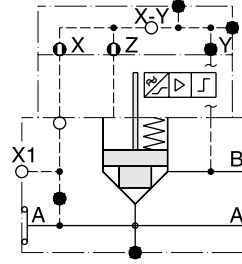
A



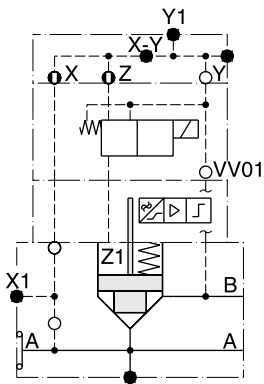
D5S08-5113A.BA
 10
 12
 Pilot oil: internal from A



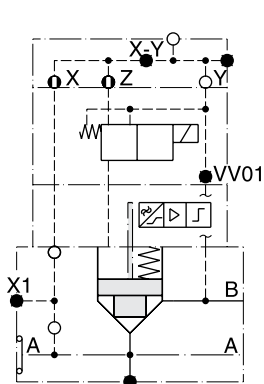
D5S08-5223A.BA
 10
 12
 Pilot oil: internal from B



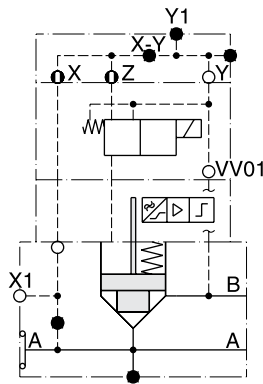
D5S08-5213A.BA
 10
 12
 Pilot oil: external from X1



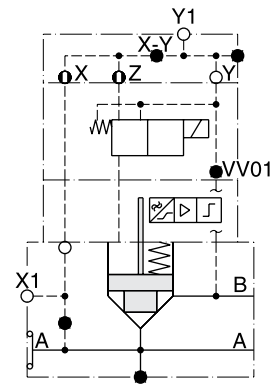
D5S08-5143A.BC
 10 BE
 12
 Pilot oil: internal from A
 Pilot drain: internal to B



D5S08-5163A.BC
 10 BE
 12
 Pilot oil: internal from A
 Pilot drain: external out of Y1



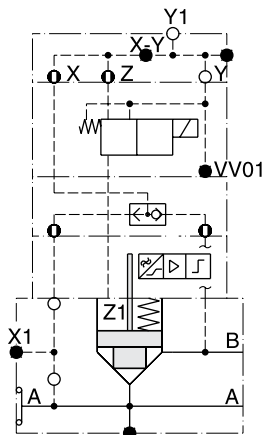
D5S08-5443A.BC
 10 BE
 12
 Pilot oil: external from X1
 Pilot drain: internal to B



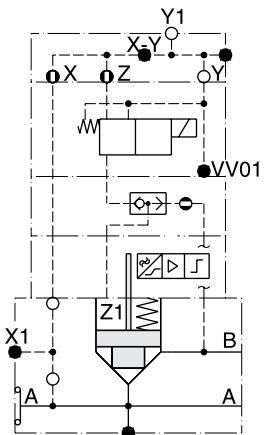
D5S08-5463A.BC
 10 BE
 12
 Pilot oil: external from X1
 Pilot drain: external out of Y1

Seat Entry

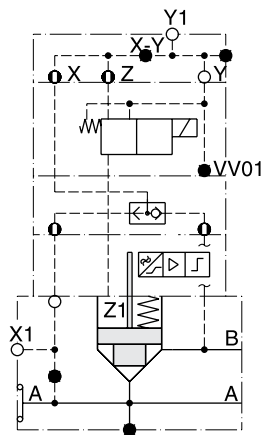
Annular Entry



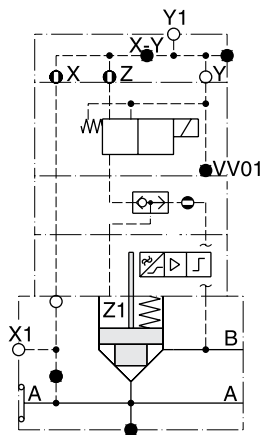
D5S08-5363A.BH
 10 BE
 12
 Pilot oil: internal from A +
 internal from B
 Pilot drain: external out of Y1



D5S08-5363A.BN
 10 BQ
 12
 Pilot oil: internal from A +
 internal from B
 Pilot drain: external out of Y1

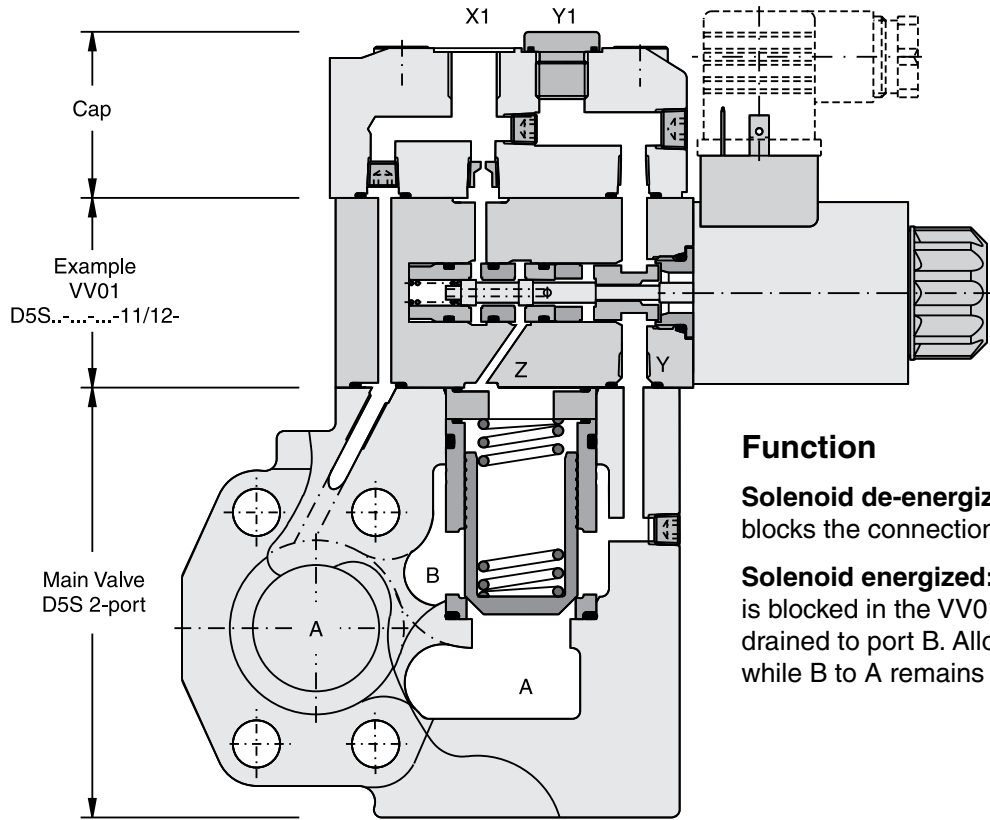


D5S08-5563A.BH
 10 BK
 12
 Pilot oil: external from X1 +
 internal from B
 Pilot drain: external out of Y1



D5S08-5563A.BN
 10 BQ
 12
 Pilot oil: external from X1 +
 internal from B
 Pilot drain: external out of Y1

Example Pilot Oil External from X1, Pilot Drain Internal Out of B with Vent Valve



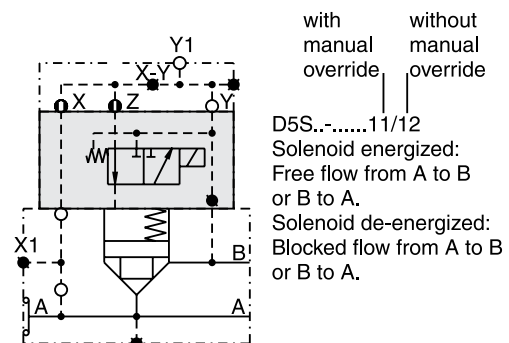
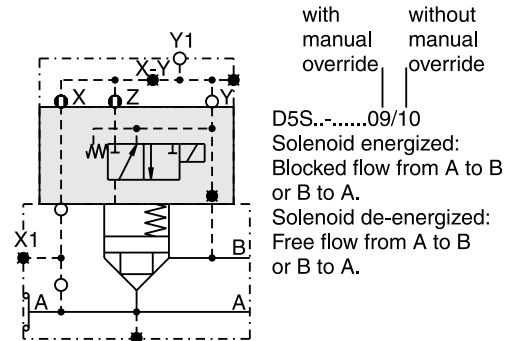
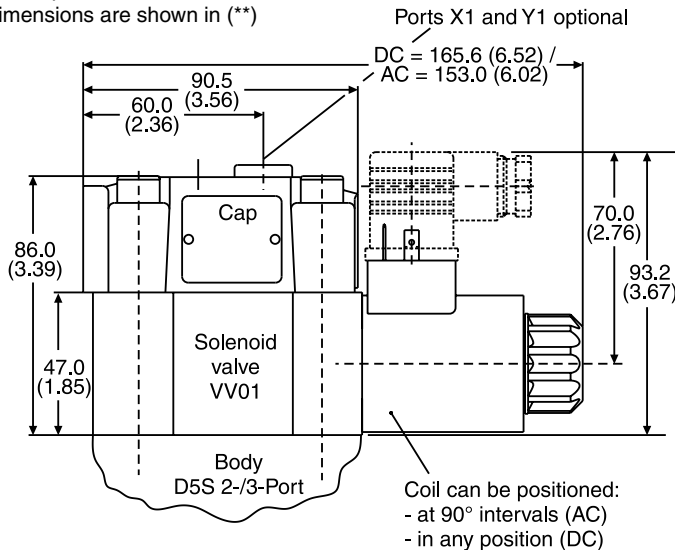
Function

Solenoid de-energized: Pilot oil from X1 to Z blocks the connection from A to B or B to A.

Solenoid energized: Pilot pressure from X1 is blocked in the VV01. The oil in Z is internally drained to port B. Allowing flow from A to B, while B to A remains blocked.

Dimensions — D5S with VV01

Inch equivalents for millimeter dimensions are shown in (**)

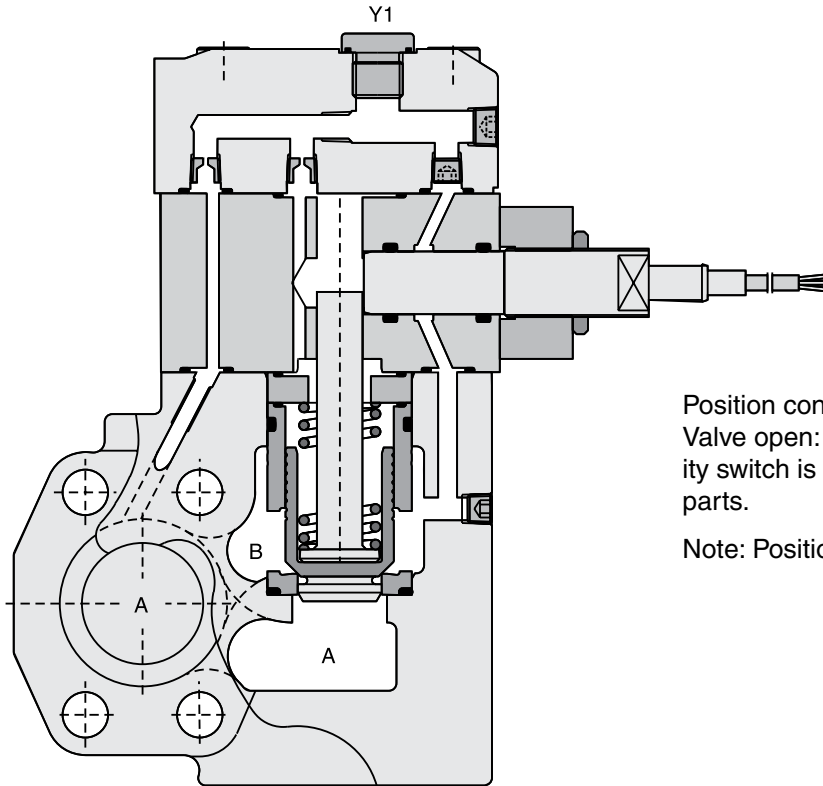


VV01 Seal Kits	
Nitrile	Fluorocarbon
DC Solenoid	
S26-58515-0	S26-58515-5
AC Solenoid	
S26-35237-0	S26-35237-5

D5S.indd, dd

Example Pilot Oil External from X1, Pilot Drain Internal Out of B with Position Control

A

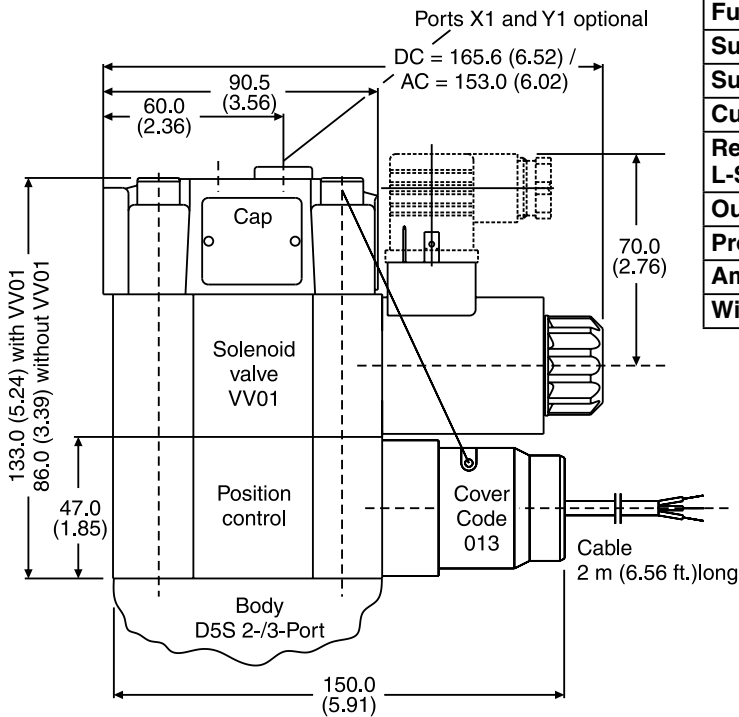


Position control by proximity switch (incl. amplifier). Valve open: proximity switch activated. This proximity switch is pressure proof and has no wearing parts.

Note: Position control for D5S08 and D5S10 only.

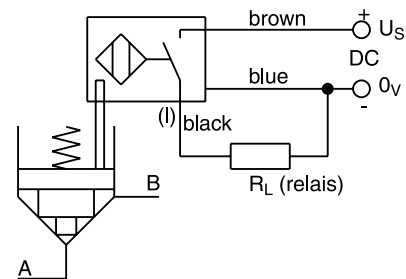
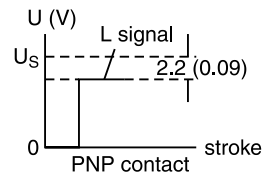
Dimensions — D5S with Position Control

Inch equivalents for millimeter dimensions are shown in (**)



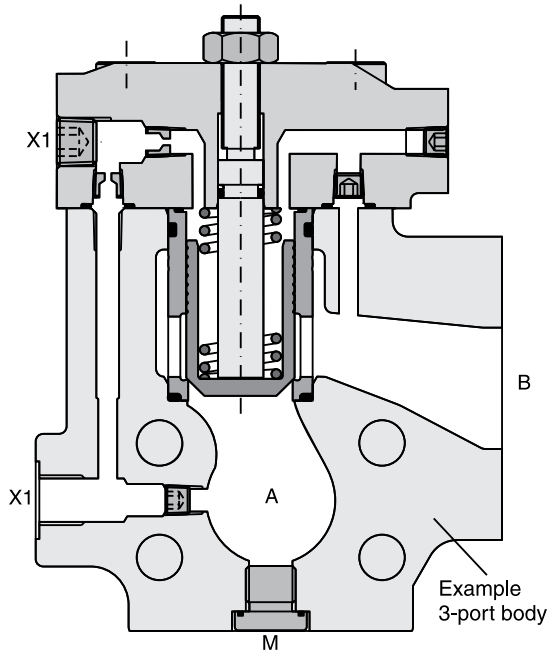
Technical Data (Proximity Switch)

Function	PNP, contact
Supply Voltage	10 - 30VDC
Supply Voltage Ripple	≤10%
Current Consumption	8mA Maximum
Residual Voltage L-Signal	$U_s - 2.2V$ at I_{max}
Output Current	≤200 mA
Protection Class	IP67
Ambient Temperature	-25°C to +70°C (-13°F to +158°F)
Wire Cross Section	3 x 0.5 mm ²



Inch equivalents for millimeter dimensions are shown in (**)

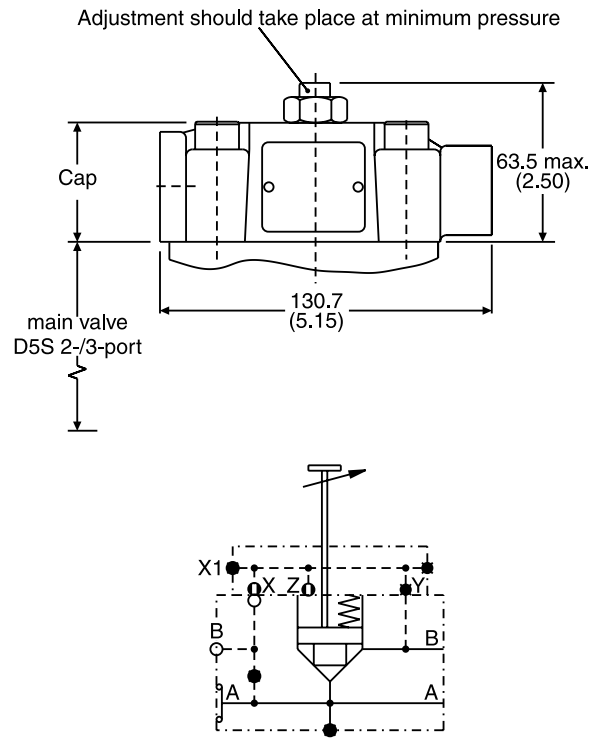
D5S Stroke Limiter



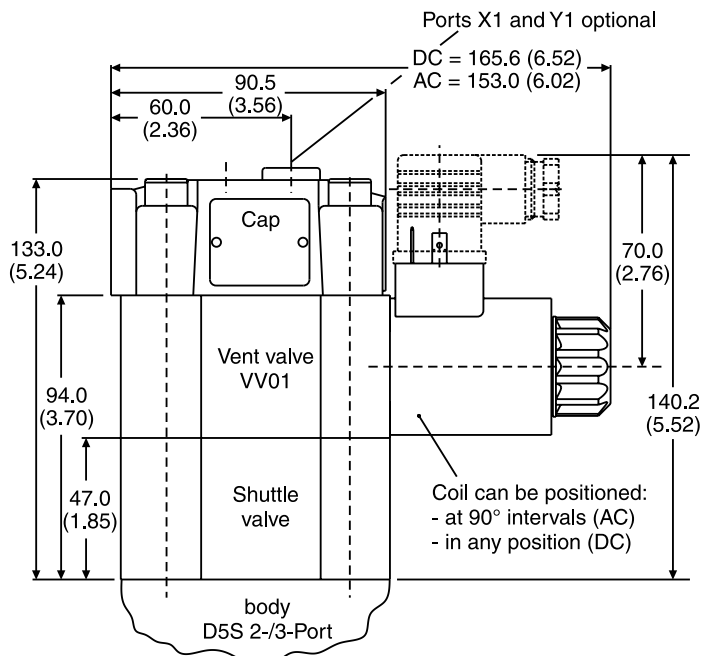
X1 = external pilot-oil (optional)

Note: Stroke limiter not for use with D5S06, solenoid valve VV01, shuttle valve and position control.

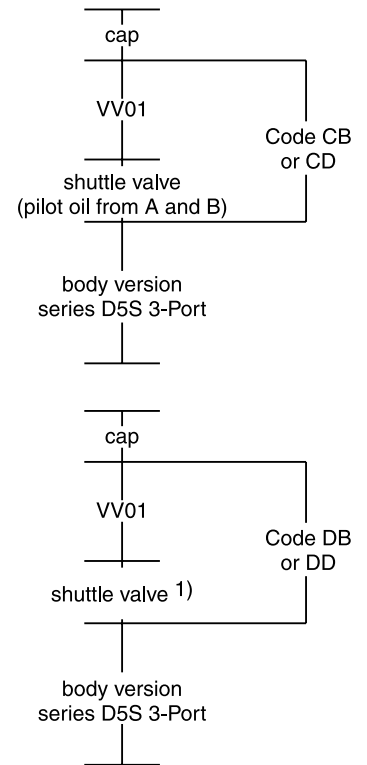
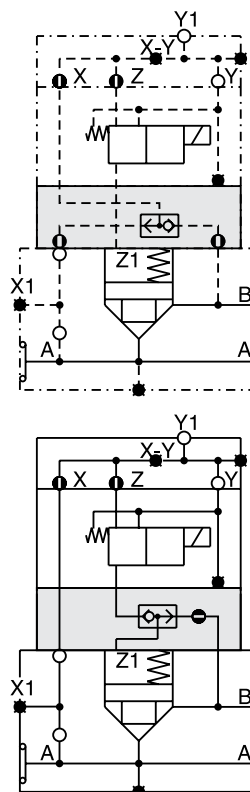
D5S Stroke Limiter Dimensions



D5S with Shuttle Valve Dimensions



Shuttle valve only in connection with vent valve VV01.

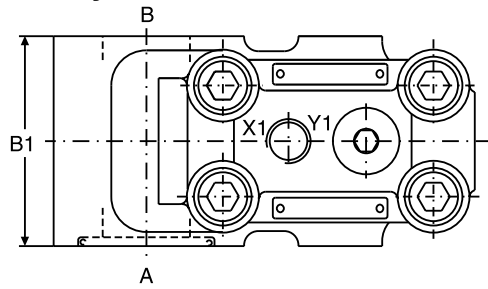


1) pilot oil from A and B, from B to A check valve function

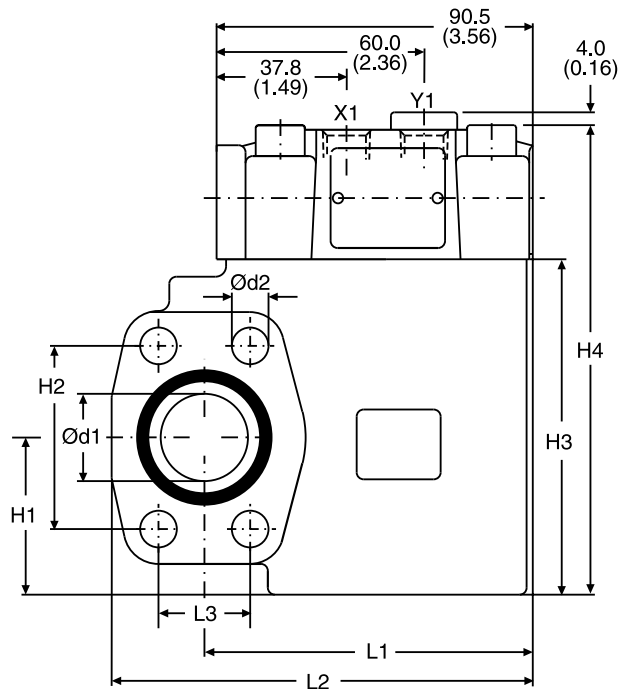
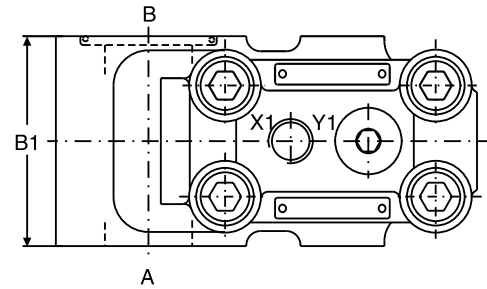
Inch equivalents for millimeter dimensions are shown in (**)

2-Port

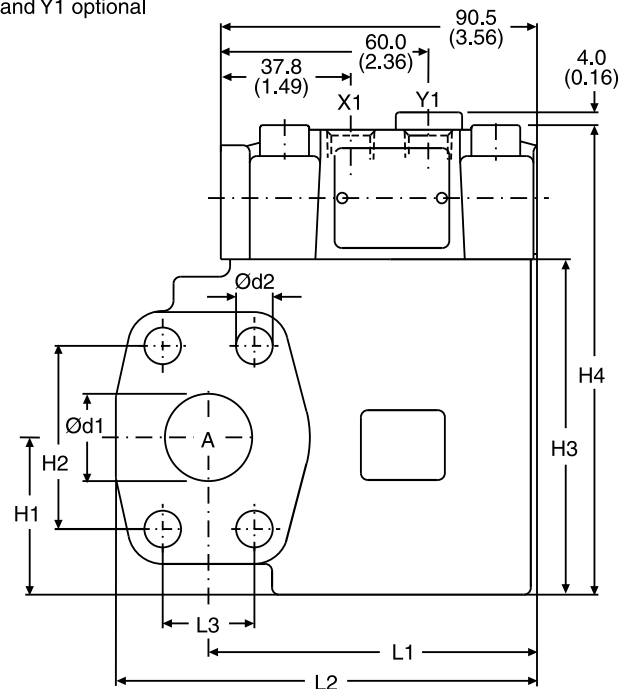
Seat Entry



Annular Entry



Ports X1 and Y1 optional



Seal Kits		
Size	Nitrile	Fluorocarbon
06	S16-91850-0	S16-91850-5
08	S16-91851-0	S16-91851-5
10	S16-91852-0	S16-91852-5

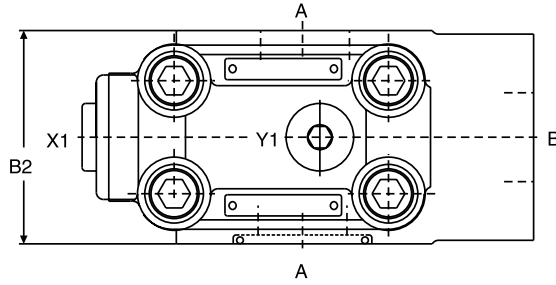
Size	l1	l2	l3	b1	h1	h2	h3	h4	d1	d2
06	77.0 (3.03)	101.0 (3.98)	22.2 (0.87)	60.0 (2.36)	37.0 (1.46)	47.6 (1.87)	90.0 (3.54)	127.6 (5.02)	19.0 (0.75)	10.5 (0.41)
08	94.0 (3.70)	120.5 (4.74)	26.2 (1.03)	60.0 (2.36)	45.0 (1.77)	52.4 (2.06)	96.0 (3.78)	133.6 (5.26)	25.0 (0.98)	10.5 (0.41)
10	94.0 (3.70)	128.0 (5.04)	30.2 (1.19)	75.0 (2.95)	48.0 (1.89)	58.7 (2.31)	109.0 (4.29)	146.6 (5.77)	32.0 (1.26)	12.5 (0.49)

Ports	Function	Port size		
		D5S06	D5S08	D5S10
A	Inlet or outlet	3/4" SAE 61	1" SAE 61	1-1/4" SAE 61
B	Outlet or inlet	3/4" SAE 61	1" SAE 61	1-1/4" SAE 61
X1	External pilot port	SAE 4		
Y1	External pilot drain			

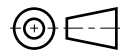
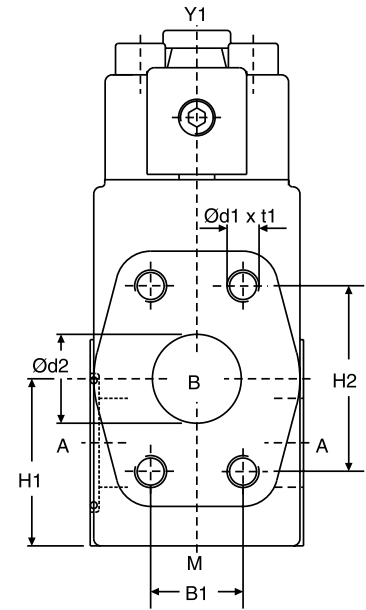
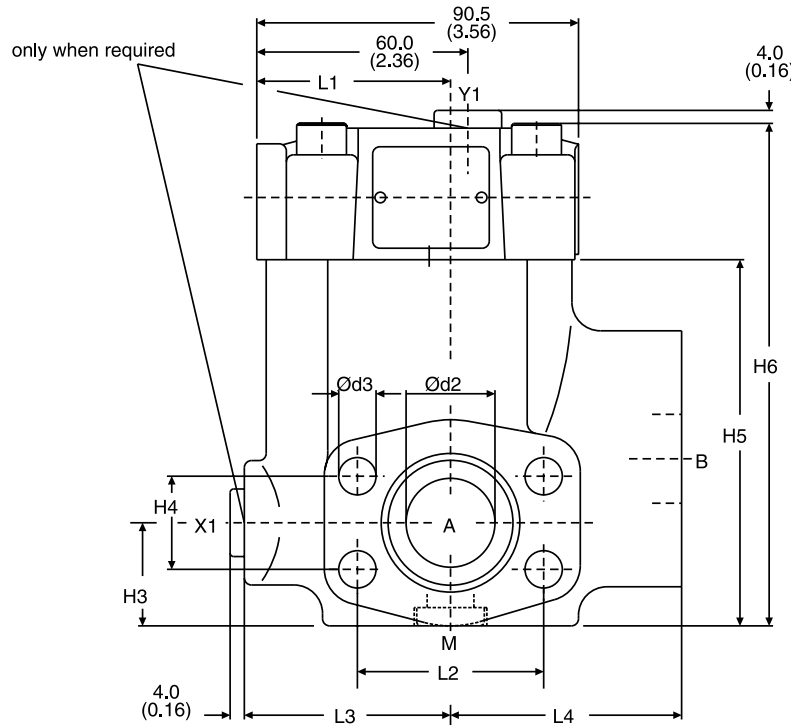
D5S.indd, dd

Inch equivalents for millimeter dimensions are shown in (**)

3-Port



Seal Kits		
Size	Nitrile	Fluorocarbon
06	S16-91850-0	S16-91850-5
08	S16-91851-0	S16-91851-5
10	S16-91852-0	S16-91852-5
12	S26-27421-0	S26-27421-5



Size	I1	I2	I3	I4	b1	b2	h1	h2	h3	h4	h5	h6	d1	t1	d2	d3
06	49.0 (1.93)	47.6 (1.87)	56.0 (2.20)	63.0 (2.48)	22.2 (0.87)	60.0 (2.36)	41.0 (1.61)	47.6 (1.87)	28.0 (1.10)	22.2 (0.87)	82.0 (3.23)	119.0 (4.69)	3/8" UNC	20.0 (0.79)	19.0 (0.75)	10.5 (0.41)
08	55.0 (2.17)	52.4 (2.06)	58.0 (2.28)	65.0 (2.56)	26.2 (1.03)	60.0 (2.36)	47.0 (1.85)	52.4 (2.06)	29.0 (1.14)	26.2 (1.03)	103.0 (4.06)	141.0 (5.55)	3/8" UNC	23.0 (0.91)	25.0 (0.98)	10.5 (0.41)
10	57.0 (2.24)	58.7 (2.31)	64.0 (2.52)	61.0 (2.40)	30.2 (1.19)	75.0 (2.95)	65.0 (2.56)	58.7 (2.31)	36.0 (1.42)	30.2 (1.19)	113.0 (4.45)	150.0 (5.91)	7/16" UNC	22.0 (0.87)	32.0 (1.26)	12.5 (0.49)
12	37.0 (1.46)	69.8 (2.75)	55.0 (2.17)	93.0 (3.66)	35.7 (1.41)	80.0 (3.15)	73.0 (2.87)	69.8 (2.75)	72.0 (2.83)	35.7 (1.41)	140.0 (5.51)	178.0 (7.01)	1/2" UNC	27.0 (1.06)	38.0 (1.50)	13.5 (0.53)

Ports	Function	Port size			
		D5S06	D5S08	D5S10	D5S12
A (2x)	Inlet or outlet	3/4" SAE 61	1" SAE 61	1 1/4" SAE 61	1 1/2" SAE 61
B	Outlet or inlet	3/4" SAE 61	1" SAE 61	1 1/4" SAE 61	1 1/2" SAE 61
X1*	External pilot port	SAE 4			
Y1	External pilot drain				
M	Pressure gauge				

* closed when supplied.

D5S.indd, dd

[Return to ALPHA TOC](#)

[Return to SECTION TOC](#)

Contents

Return to ALPHA TOC

Return to SECTION TOC

B

Introduction B2 - B4

Series CM, ZRV

 CM Check B5 - B6

 CM2 D03 Mounted, Check B7 - B8

 CM3 D05 Mounted, Check B9 - B10

 CM6 D08 Mounted, Check B11 - B12

 ZRV D03, D05 Mounted, Check B60 - B62

Series CPOM, ZRE

 CPOM Double Pilot Operated, Check B13 - B14

 CPOM2 Dimensions D03 Mounted, Double Pilot Operated, Check B15

 CPOM3 Dimensions D05 Mounted, Double Pilot Operated, Check B16

 CPOM6 Dimensions D08 Mounted, Double Pilot Operated, Check B17

 ZRE D03, D05, D07 Mounted, Double Pilot Operated Check B57 - B59

Series FM, ZRD

 FM Double Manapak, Flow Control B18 - B20

 FM2 Dimensions D03 Mounted, Double, Flow Control B21

 FM3 Dimensions D05 Mounted, Double, Flow Control B22

 FM6 Dimensions D08 Mounted, Double, Flow Control B23

 ZRD D03, D05, D07 Mounted, Double Flow Control B53 - B56

Series PRDM

 PRDM Direct Operated, Pressure Reducing B24 - B27

 PRDM2 Dimensions D03 Mounted, Direct Operated, Pressure Reducing B28

 PRDM3 Dimensions D05 Mounted, Direct Operated, Pressure Reducing B28

Series PRM , ZDR

 PRM Pressure Reducing B29 - B31

 PRM3 Dimensions D05 Mounted, Pressure Reducing B32 - B34

 PRM6 Dimensions D08 Mounted, Pressure Reducing B35

 ZDR D03, D05, D07, Pilot Operated, Pressure Reducing B42 - B44

Series RM, ZDV

 RM Relief B36 - B38

 RM2 Dimensions D03 Mounted, Relief B39

 RM3 Dimensions D05 Mounted, Relief B40

 RM6 Dimensions D08 Mounted, Relief B41

 ZDV D03, D05, D07 Mounted, Relief B45 - B48

Series ZNS

 ZNS D03, D05 Mounted, Counterbalance Valve B49 - B52

Installation Information B63 - B65

 Mounting Pattern Dimensions B64 - B65



Sandwich valves provide a variety of check, flow control, pressure relief and pressure reducing functions in a compact NFPA D03, D05, D07 and D08 sandwich style valve. The NFPA D03 valve body conforms to the ISO 40 mm (1.57") thickness. These valves are mounted between directional control valves and their mounting surface.

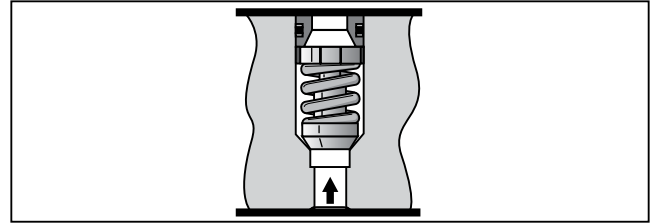
The NFPA D03 Sandwich valves may also be used in conjunction with Parker's Cartpak Series of sandwich valves which offer a wide variety of additional functions including relief, pressure reducing/relieving, load check, back pressure check, needle, flow control, pressure compensated flow control, crossover, relief and directional valves.

B

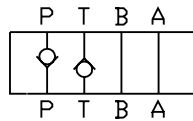
Check Valves

Series CM, ZRV

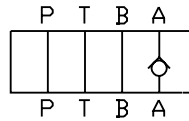
- Valve bodies are manufactured from steel which provide extra strength and durability for longer life. Internal hardened steel components also provide longer life.
- Positive shut-off is provided by a fully guided poppet and allows full flow in the unchecked position.
- Parker CM, ZRV sandwich style check valves can be used either on the 'P', 'A', 'B', 'T' port or combination.
- Large internal flow paths allow high flow at low pressure drop.



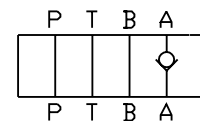
CM*PT



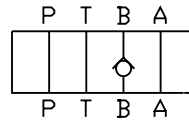
CM*AA



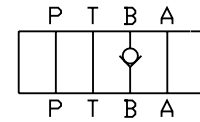
CM*AAF



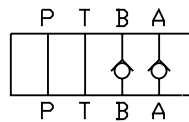
CM*BB



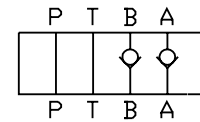
CM*BBF



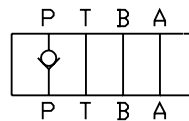
CM*DD



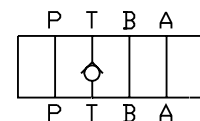
CM*DDF



CM*PP, ZRV-P



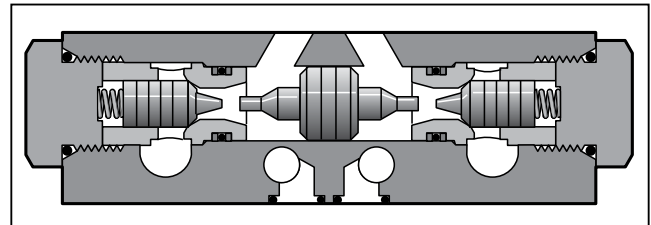
CM*TT, ZRV-T



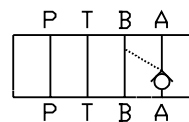
P.O. Check Valves

Series CPOM, ZRE

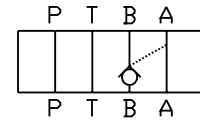
- Parker CPOM, ZRE sandwich style, pilot operated check valves can be provided in either single or double configurations.
- The pilot operated checks may be positioned in 'A' port or 'B' port; or both 'A' and 'B' ports.
- Valve bodies are manufactured from steel which provide extra strength and durability for longer life. Internal hardened steel components also provide longer life.
- Large internal flow paths allow high flow at low pressure drop.



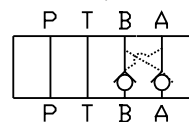
CPOM*AA, ZRE-A



CPOM*BB, ZRE-B



CPOM*DD, ZRE-AB



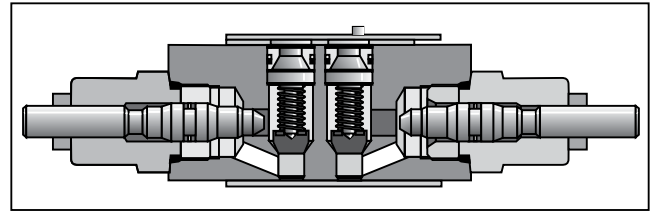
Flow Control Valves

Series FM, ZRD

- Parker FM, ZRD sandwich style flow control valves can be provided in either single or double configurations.

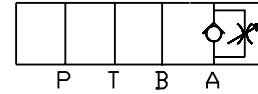
The flow controls may be positioned in 'P' port, 'A' port, 'B' port, or both 'A' and 'B' ports.

- Valve bodies are manufactured from steel which provide extra strength and durability for longer life. Internal hardened steel components also provide longer life.
- Two step needles (standard) provide fine adjustment for the first three turns and course adjustment for the last three turns. Fine metering needles are available as an option on D03 and D05 valves.
- Large bypass checks allow high flow at a low pressure drop.
- Reversible (invert 180°) for meter-in or meter-out (D03 & D05 only).



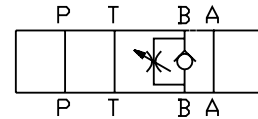
FM*AA, ZRD-AA

(Meter Out)



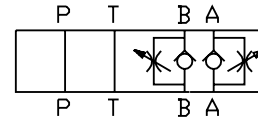
FM*BB, ZRD-BA

(Meter Out)



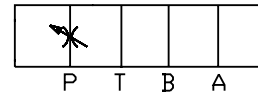
FM*DD, ZRD-ABA

(Meter Out)



FM*PP

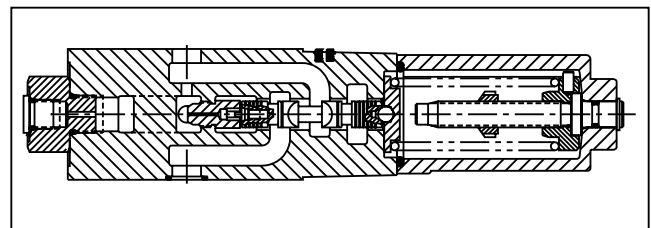
(Meter Out)



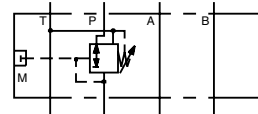
Pressure Reducing Valves

Series PRDM

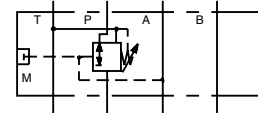
- PRDM sandwich valves may be selected to reduce pressure in the 'P' port, 'A' port or 'B' port.
- The direct operated, cushioned piston design results in fast response, low leakage and minimal hysteresis.
- Up to nine pressure adjustment ranges are available with maximum pressure settings.
- Adjustment options include: internal hex screw, hand knob or internal hex with keylock.
- Fluorocarbon and nitrile seals are available for multi-fluid compatibility.
- Available gage port connections include SAE, NPT, Metric and BSPP.



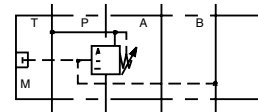
PRDM*PP



PRDM*AA



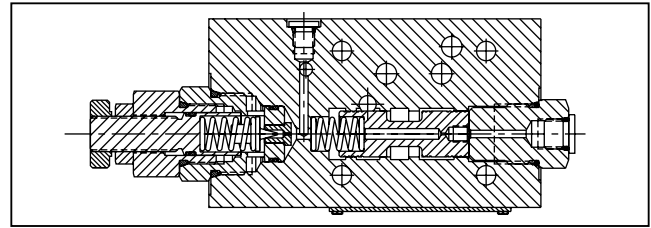
PRDM*BB



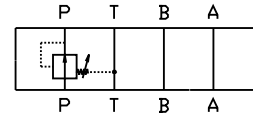
Pressure Reducing Valves

Series PRM, ZDR

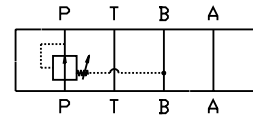
- Parker PRM, ZDR sandwich style pressure reducing valves can be used to reduce pressure on the 'P' port, the 'A' port, or the 'B' port.
- Three pressure adjustment options available: slotted screw, knob and locking knob.
- Valve bodies are manufactured from steel which provide extra strength and durability for longer life. Internal hardened steel components also provide longer life.



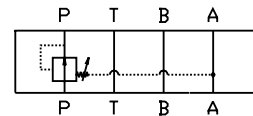
PRM*AA, ZDR-A



PRM*BB, ZDR-B



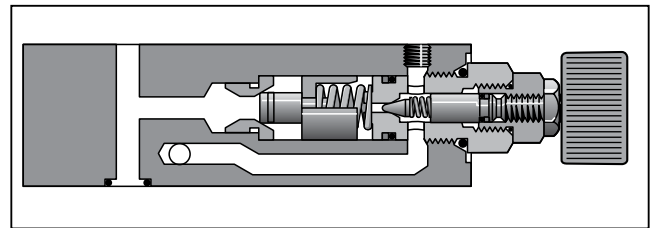
PRM*PP, ZDR-P



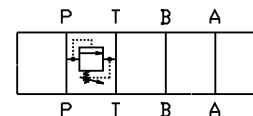
Pressure Relief Valves

Series RM, ZDV

- Parker RM, ZDV sandwich style relief valve is a 'P' port to 'T' port relief.
- Valve bodies are manufactured from steel which provide extra strength and durability for longer life. Internal hardened steel components also provide longer life.
- Three pressure adjustment options available: slotted screw, knob and locking knob.



RM*PT, ZDV-P

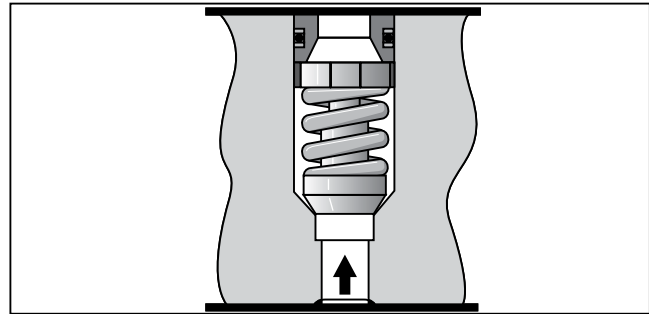
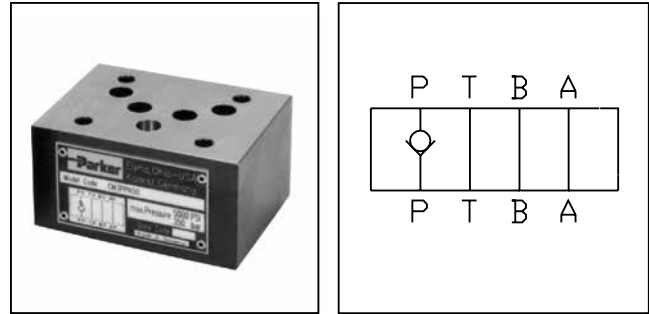


General Description

Series CM check valves provide an integral, full flow check valve in the pressure 'P' port, 'A' port, 'B' port, or the tank 'T' port of the directional valve. Reverse flow is blocked. The CM2 and CM3 sizes offer a combination P&T check version.

Features

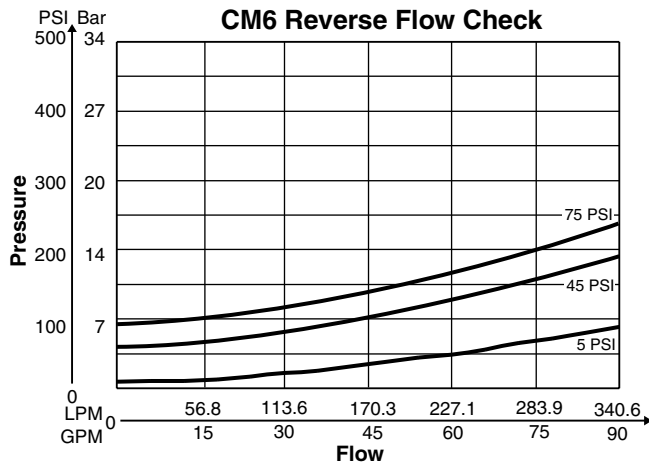
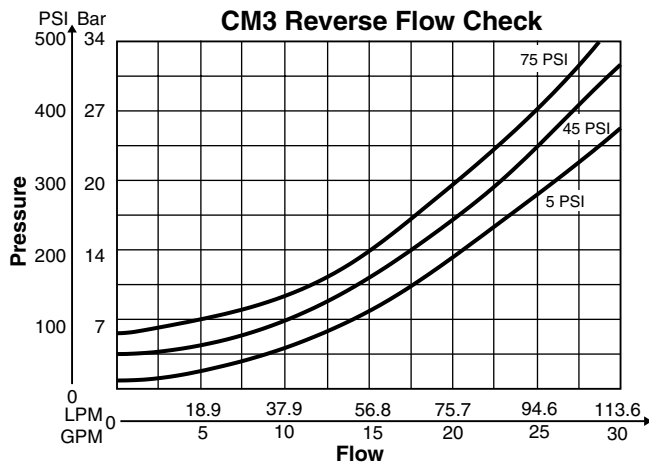
- Valve bodies are manufactured from steel which provides extra strength and durability for longer life. Internal hardened steel components also provide longer life.
- Positive shut-off is provided by a fully guided poppet and allows full flow in the unchecked position.
- Parker CM sandwich style check valves can be used either on the 'P', 'A', 'B', 'T' ports, or combinations.
- Large internal flow paths allow high flow at low pressure drop.



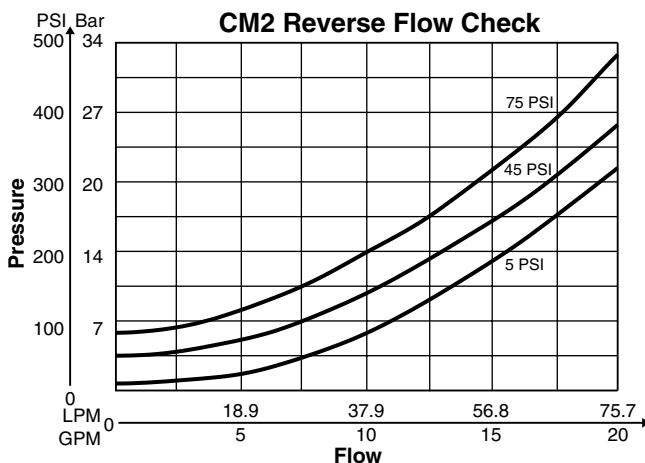
Specifications

	CM2	CM3	CM6
Mounting Pattern	NFPA D03, CETOP 3, NG6	NFPA D05, CETOP 5, NG10	NFPA D08, CETOP 8, NG25
Maximum Pressure	345 Bar (5000 PSI)	345 Bar (5000 PSI)	345 Bar (5000 PSI)
Maximum Flow	76 LPM (20 GPM)	113 LPM (30 GPM)	340 LPM (90 GPM)
Cracking Pressure	0.3 Bar (5 PSI), 3 Bar* (45 PSI), 5 Bar* (75 PSI)	0.3 Bar (5 PSI), 3 Bar* (45 PSI), 5 Bar* (75 PSI)	0.3 Bar (5 PSI)

* Optional





Performance Curves





VISCOSITY CORRECTION FACTOR							
Viscosity (SSU)	75	150	200	250	300	350	400
% of ΔP (Approx.)	93	111	119	126	132	137	141


Curves were generated using 100 SSU hydraulic oil. For any other viscosity, pressure drop will change per chart.

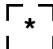

 Check Valve


 Size


 Port


 Cracking Pressure


 Seal


 Design Series
 NOTE:
 Not required when ordering.

Code	Description
2	NFPA D03 Subplate Mounting
3	NFPA D05 Subplate Mounting
6	NFPA D08 Subplate Mounting

Code	Description
PP*	P Port Check
PT*	P and T Port Checks
TT*	T Port Check
DD	A and B Port Checks
AA	A Port Check
BB	B Port Check
AAF	A Port Inverted
BBF	B Port Inverted
DDF	A and B Ports Inverted

Code	Type
Omit	5 PSI
Y	45 PSI*
Z	75 PSI*

Code	Type
V	Fluorocarbon
N	Nitrile

* Not available on 6 size.

Bold: Designates Tier I products and options.

Non-Bold: Designates Tier II products and options. These products will have longer lead times.

Manapak Bolt Kits

Size "2"				Size "3"			
No. of Sandwich	Sandwich & Valve Combination	Bolt Kit	Bolt Length mm (in)	No. of Sandwich	Sandwich & Valve Combination	D3W-30 D3DW & D31*W*	Bolt Length mm (in)
1	Sandwich & D1	BK243	73.2 (2.88)	1	Sandwich & D3	BK141	88.9 (3.50)
2	Sandwich & D1	BK225	111.3 (4.38)	2	Sandwich & D3	BK142	139.7 (5.50)
3	Sandwich & D1	BK244	152.4 (6.00)	3	Sandwich & D3	BK143	190.5 (7.50)
4	Sandwich & D1	BK245	190.5 (7.50)				

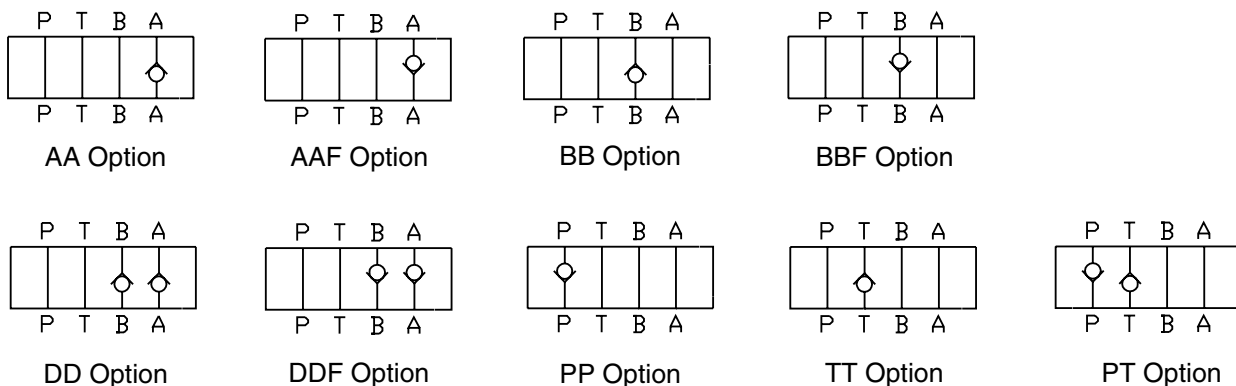
Bolt Kits must be ordered separately. *D31VW with internal pilot and internal drain only.

Size "6"					
Sandwich & Valve Combination	Bolt Kit	Description	Qty/Kit	Torque IN-LBS	
1 Sandwich & D6*VW Valve	BK121	1/2 - 13 x 5.25	6	80	
2 Sandwich & D6*VW Valve	BK122	1/2 - 13 x 8.00	6	80	
3 Sandwich & D6*VW Valve	BK123	1/2 - 13 x 10.75	6	80	
4 Sandwich & D6*VW Valve	BK124	1/2 - 13 x 13.50	6	80	

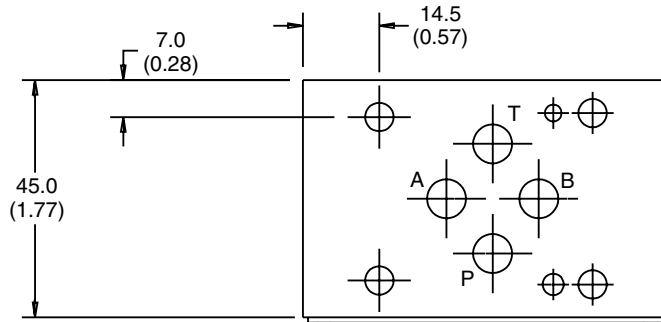
Unit Weight:

- CM2 0.8 kg (1.7 lbs.)
- CM3 1.8 kg (3.9 lbs.)
- CM6 7.7 kg (17 lbs.)

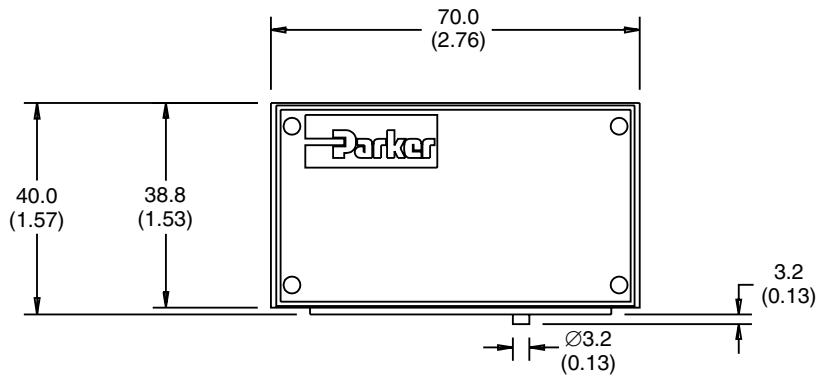
Schematics



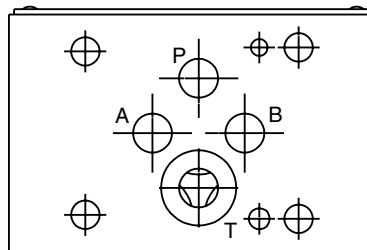
Inch equivalents for millimeter dimensions are shown in (**)



Top View

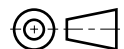


Face View



SHOWN WITHOUT O-RING PLATE

Bottom View



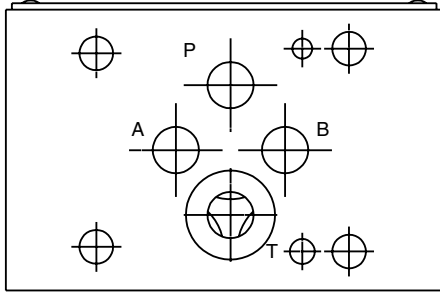
Note: Transfer the locating pin to the hole on the opposite side of the valve body for 'T' port option.
(Invert body 180°)



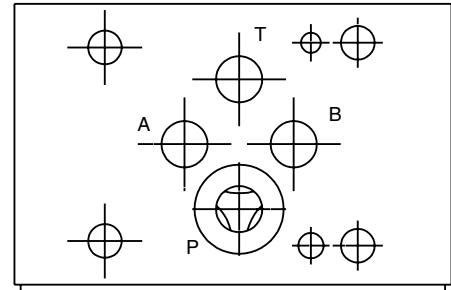
B

Bottom Views

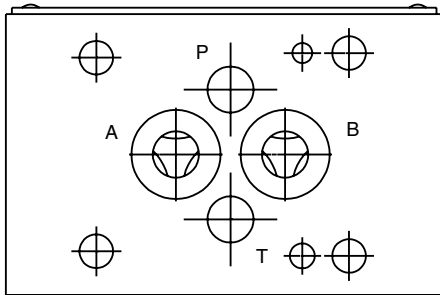
Top Views



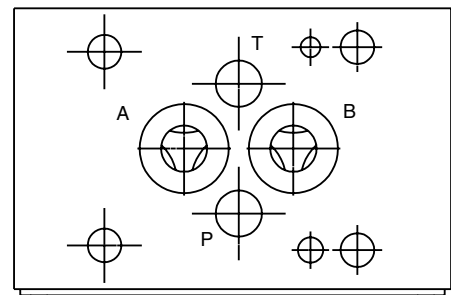
TT



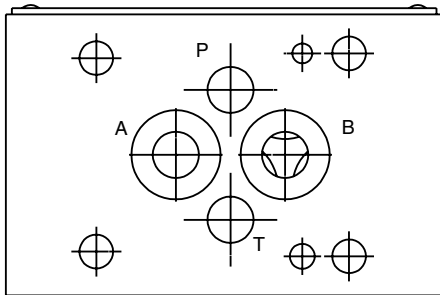
PP/PT



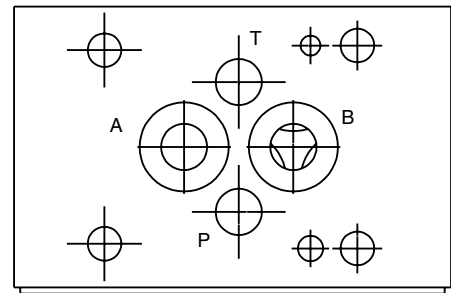
DD



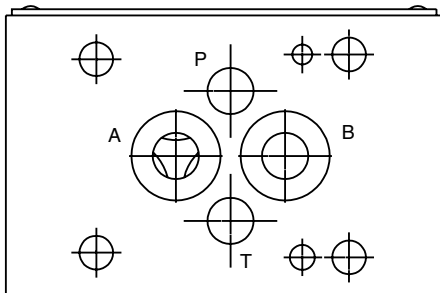
DDF



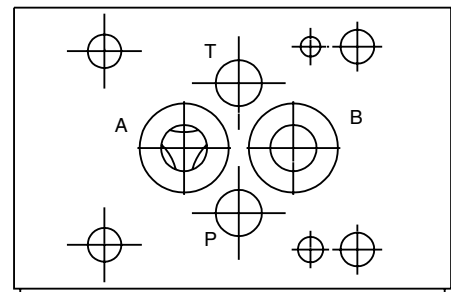
BB



BBF



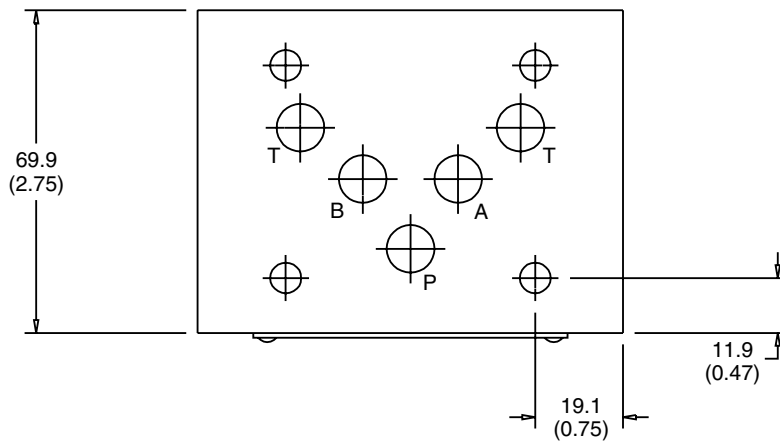
AA



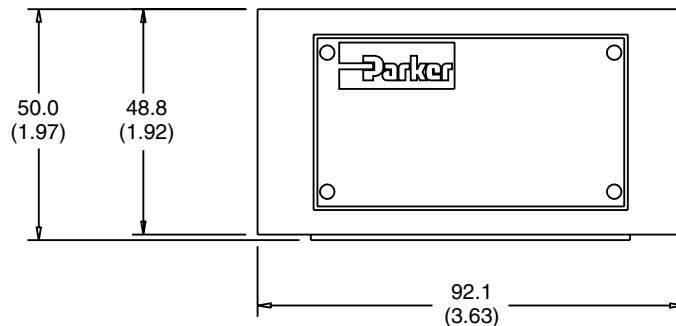
AAF

Inch equivalents for millimeter dimensions are shown in (**)

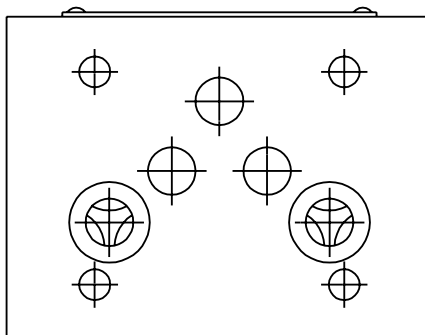
B



Top View

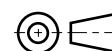


Face View



SHOWN WITHOUT O-RING PLATE

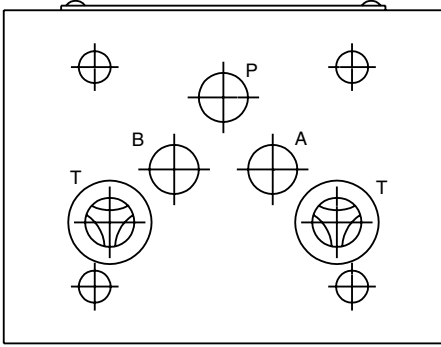
Bottom View



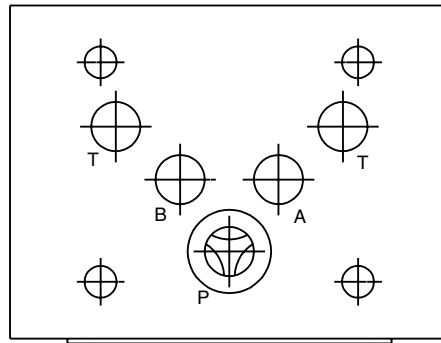
B

Bottom Views

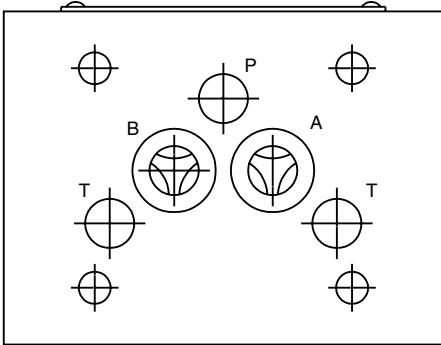
Top Views



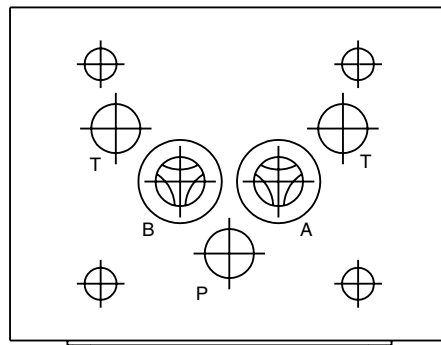
TT



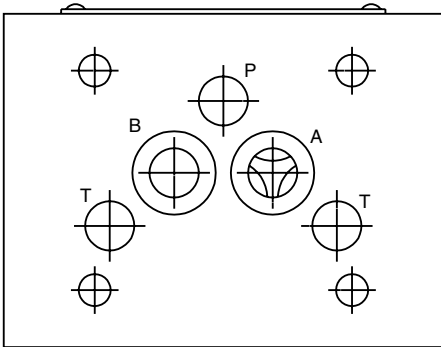
PP/PT



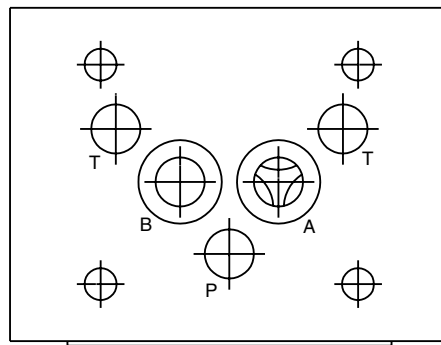
DD



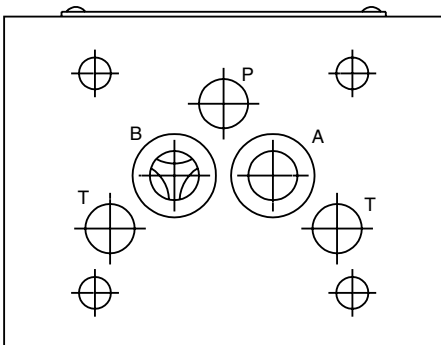
DDF



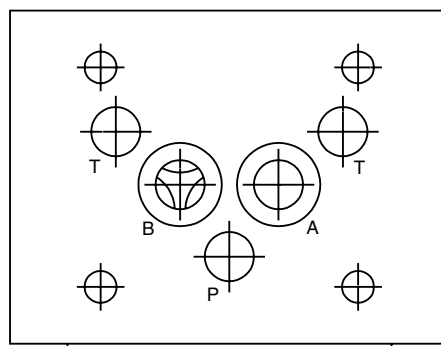
AA



AAF



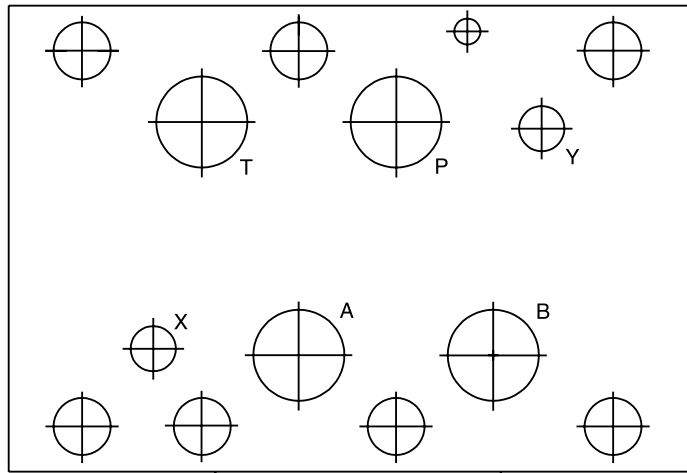
BB



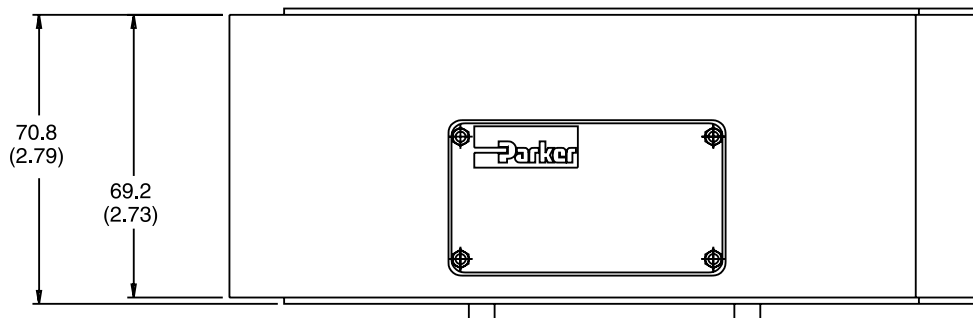
BBF

Inch equivalents for millimeter dimensions are shown in (**)

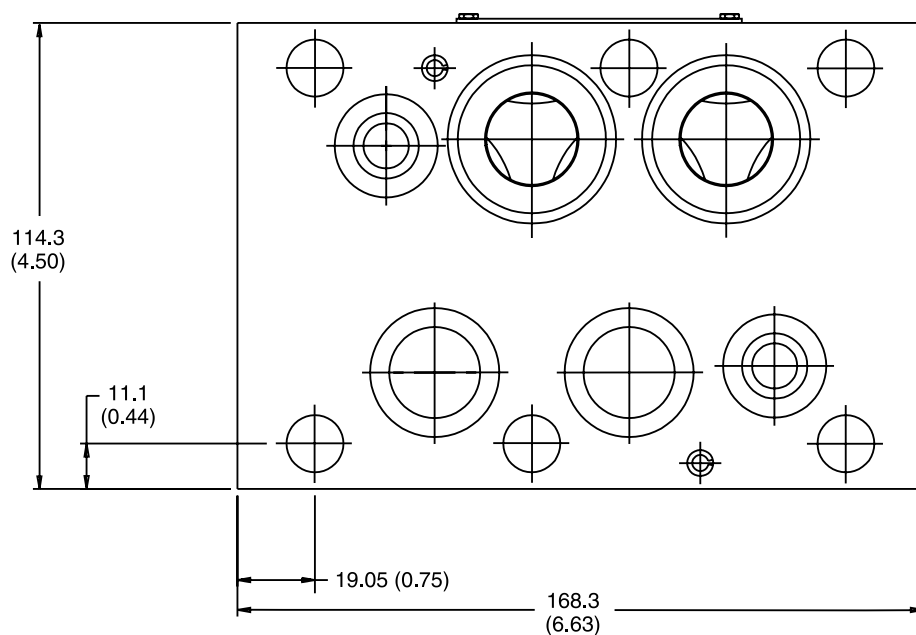
B



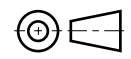
Top View



Face View



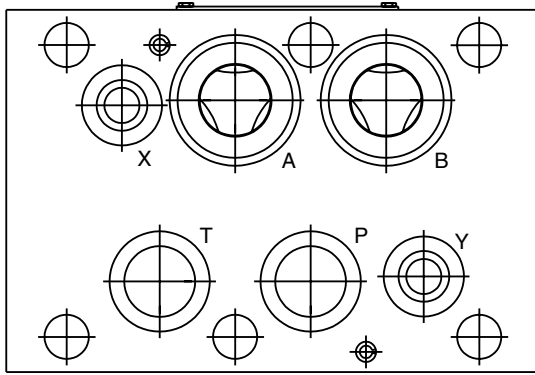
Bottom View



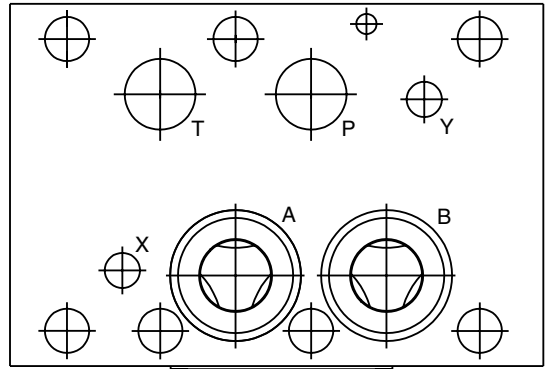
B

Bottom Views

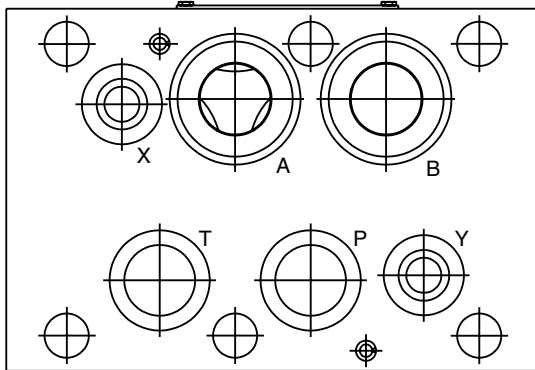
Top Views



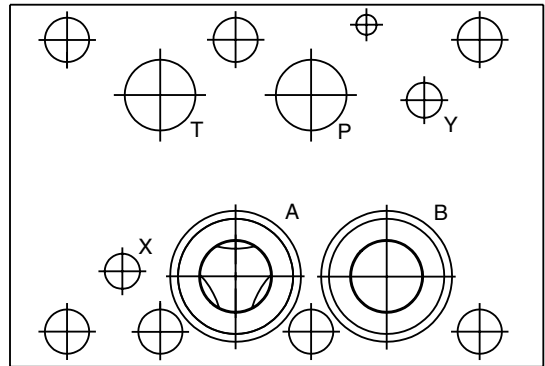
DD



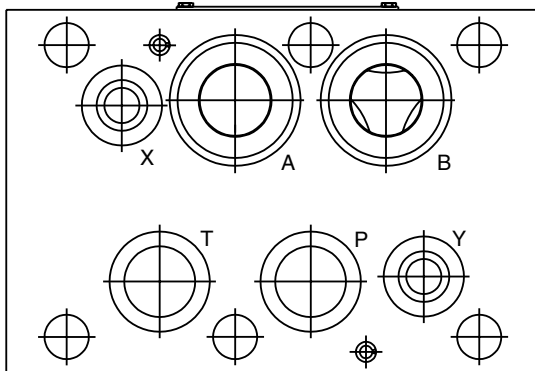
DDF



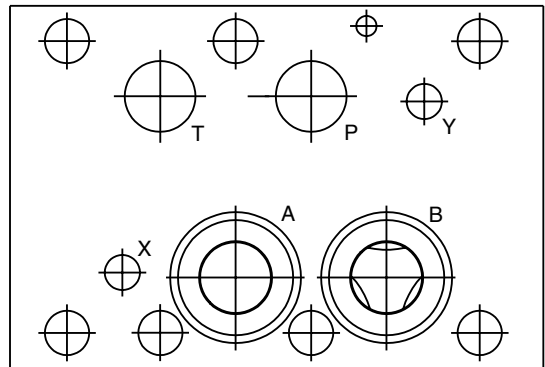
AA



AAF



BB



BBF

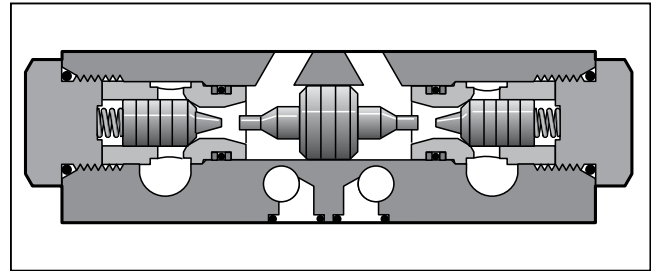
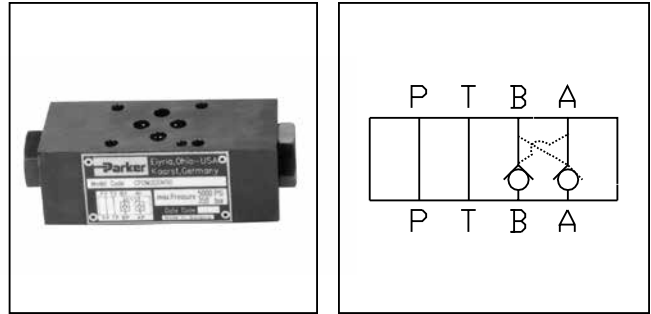
General Description

Series CPOM double pilot operated check valves block leakage from the actuator ports to tank when the directional valve is in the center position.

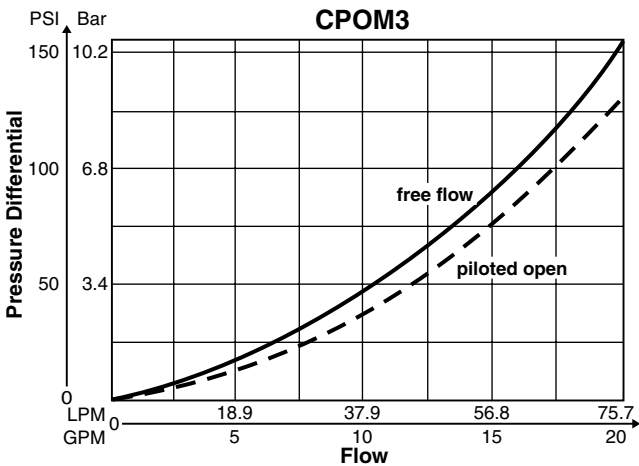
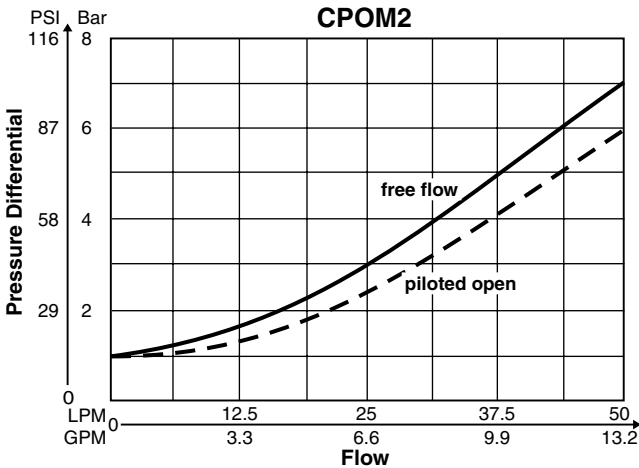
NOTE: For max. response and shut off, a directional valve with both cylinder ports drained to tank in the center position is recommended for use with sandwich double pilot operated check valves.

Features

- Parker CPOM sandwich style, p.o. check valves can be provided in either single or double configurations.
- The p.o. checks may be positioned in 'A' port or 'B' port; or both 'A' and 'B' ports.
- Valve bodies are manufactured from steel providing extra strength and durability for longer life. Internal hardened steel components also provide longer life.
- Positive shut-off is provided by a hardened poppet and cage assembly.
- Large internal flow paths allow high flow at low pressure drop.

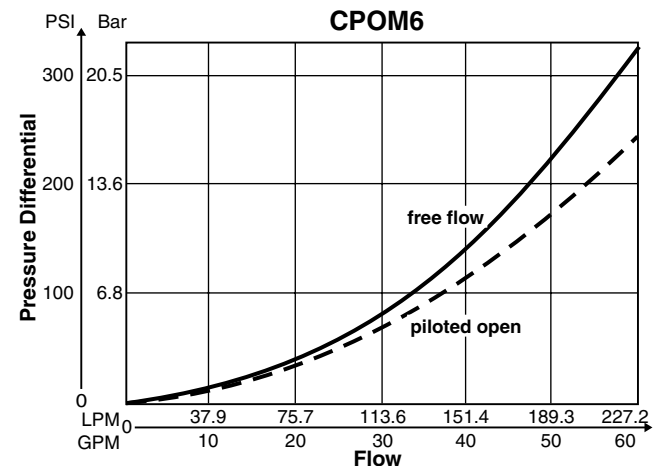


Performance Curves



Specifications

	CPOM2	CPOM3	CPOM6
Mounting Pattern	NFPA D03, CETOP 3, NG 6	NFPA D05, CETOP 5, NG 10	NFPA D08, CETOP 8, NG 25
Maximum Pressure	345 Bar (5000 PSI)	345 Bar (5000 PSI)	205 Bar (3000 PSI)
Maximum Flow	53 LPM (14 GPM) @ 21 Bar (305 PSI) Pressure Drop	76 LPM (20 GPM) @ 11 Bar (155 PSI) Pressure Drop	227 LPM (60 GPM) @ 24 Bar (350 PSI) Pressure Drop
Cracking Pressure	1.0 Bar (15 PSI)	0.3 Bar (5 PSI)	0.4 Bar (6 PSI)
Pilot Ratio	3:1	3:1	3:1
Leakage	5 DPM	5 DPM	5 DPM



Curves were generated using 100 SSU hydraulic oil. For any other viscosity, pressure drop will change as per chart.	Viscosity Correction Factor							
	Viscosity (SSU)	75	150	200	250	300	350	400
	Percentage of ΔP (Approx.)	93	111	119	126	132	137	141

CPOM

Pilot
 Operated
 Check Valve

Size

Poppet
 Style

Poppet
 Style

Cracking
 Pressure

Cracking
 Pressure

Seal

Seal

Design
 Series

Design
 Series

NOTE:
 Not required
 when ordering.

B

Code	Description
2	NFPA D03 Subplate Mounting
3	NFPA D05 Subplate Mounting
6	NFPA D08 Subplate Mounting

Code	Description
DD	Double Poppet A and B Ports
AA	A Port Only
BB	B Port Only

Code	Type
Omit**	5 PSI
Y*	45 PSI
Z*	75 PSI

Code	Type
N	Nitrile
V	Fluorocarbon

* Available in size 2 only.

** 15 PSI on CPOM2

Bold: Designates Tier I products and options.

Non-Bold: Designates Tier II products and options. These products will have longer lead times.

Bolt Kits

Size "2"				Size "3"			
No. of Sandwich	Sandwich & Valve Combination	Bolt Kit	Bolt Length mm (in)	No. of Sandwich	Sandwich & Valve Combination	D3W-30 D3DW & D31*W*	Bolt Length mm (in)
1	Sandwich & D1	BK243	73.2 (2.88)	1	Sandwich & D3	BK141	88.9 (3.50)
2	Sandwich & D1	BK225	111.3 (4.38)	2	Sandwich & D3	BK142	139.7 (5.50)
3	Sandwich & D1	BK244	152.4 (6.00)	3	Sandwich & D3	BK143	190.5 (7.50)
4	Sandwich & D1	BK245	190.5 (7.50)				

* D31VW with internal pilot and internal drain only.

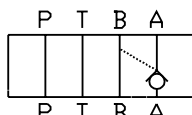
Size "6"			
No. of Sandwich	Sandwich & Valve Combination	Bolt Kit	Bolt Length mm (in)
1	Sandwich & D6	BK121	133.4 (5.25)
2	Sandwich & D6	BK122	203.2 (8.00)
3	Sandwich & D6	BK123	273.1 (10.75)
4	Sandwich & D6	BK124	342.9 (13.5)

Unit Weight:

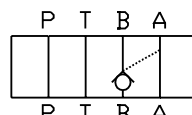
CPOM2D 0.8 kg (1.7 lbs.)
 CPOM3D 4.4 kg (9.6 lbs.)
 CPOM6D 9.5 kg (21.0 lbs.)

Bolt Kits must be ordered separately.

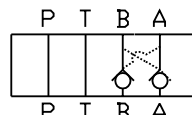
Schematics



AA Option



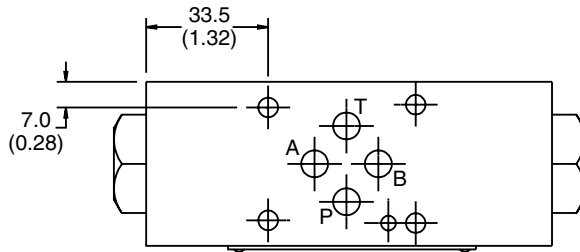
BB Option



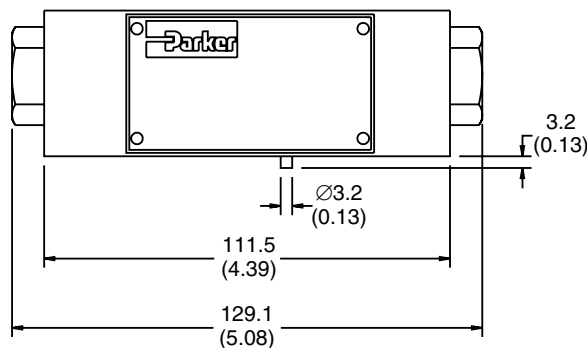
DD Option

Inch equivalents for millimeter dimensions are shown in (**)

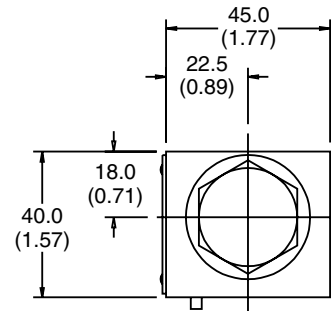
B



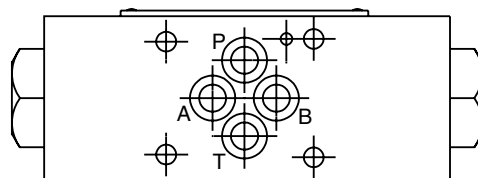
Top View



Face View



End View

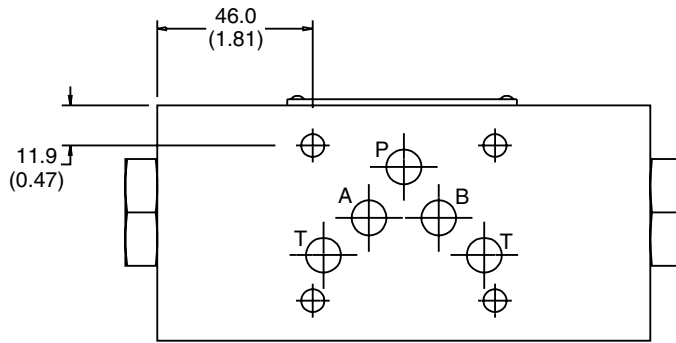


Bottom View

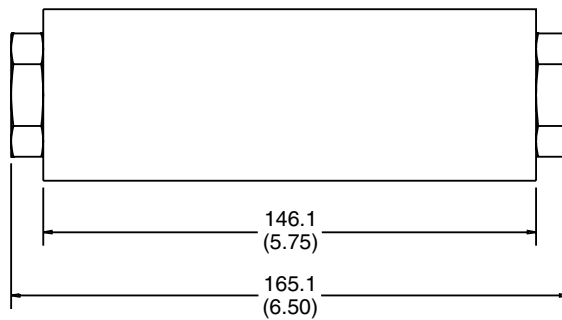


Inch equivalents for millimeter dimensions are shown in (**)

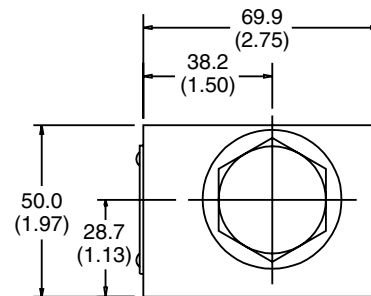
B



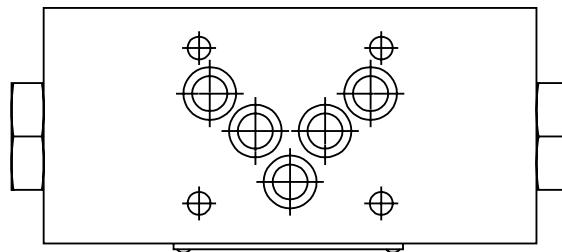
Top View



Face View



End View

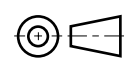
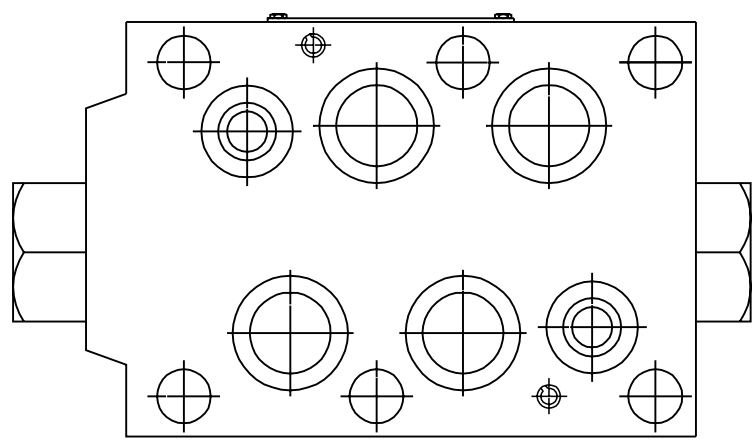
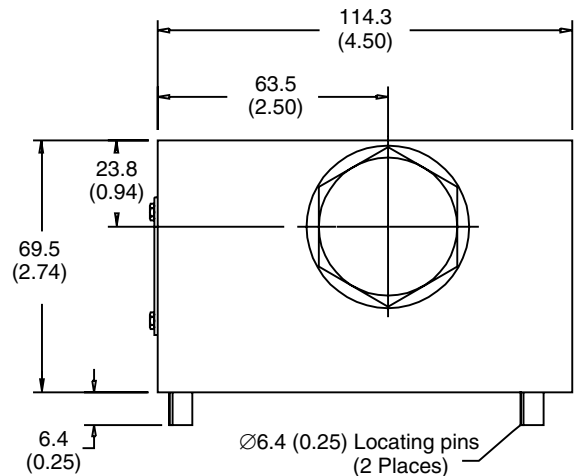
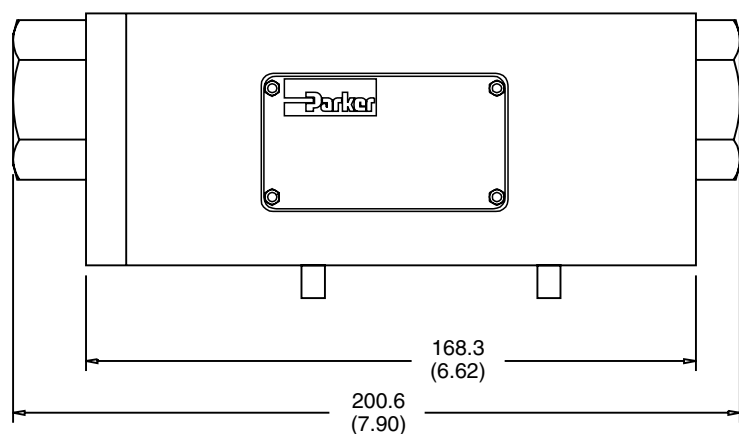
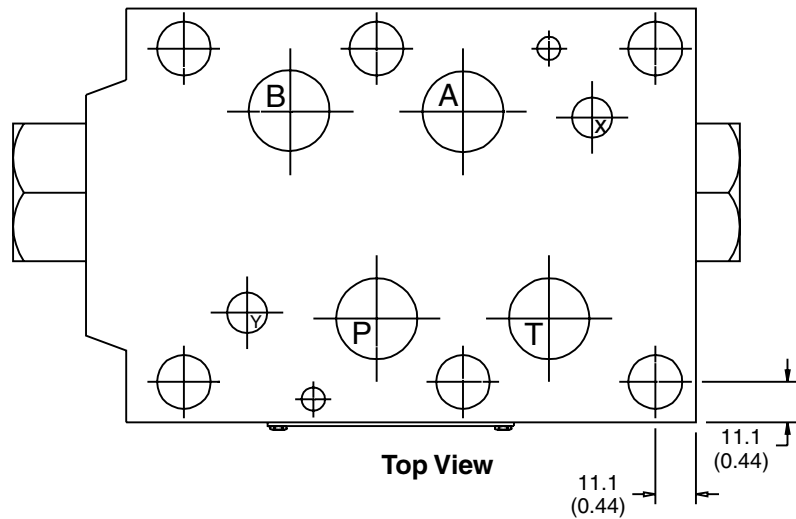


Bottom View



Inch equivalents for millimeter dimensions are shown in (**)

B



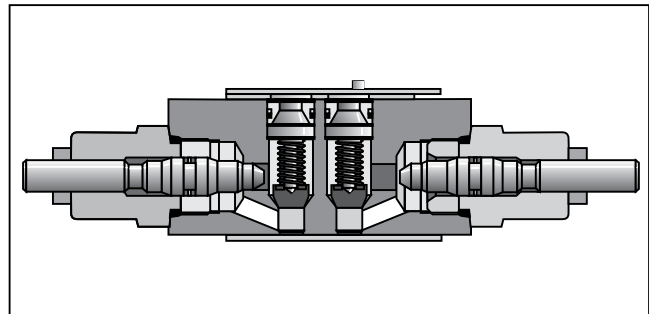
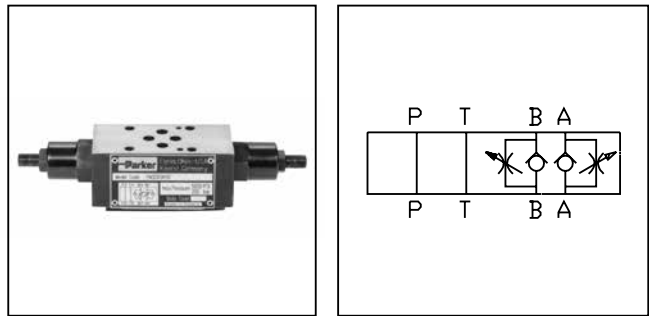
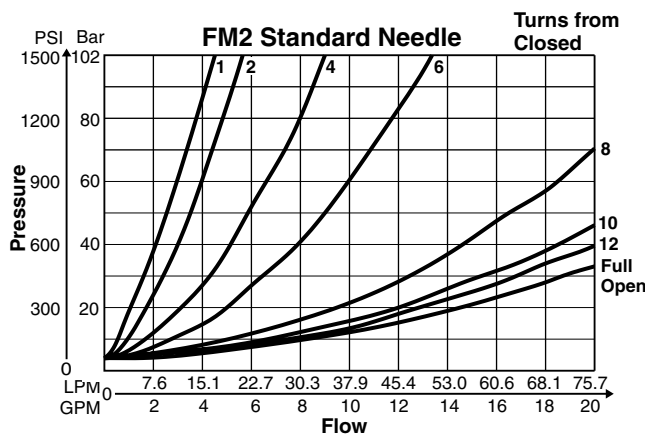
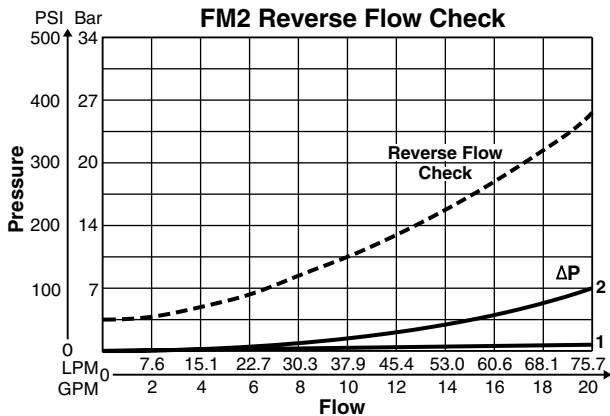
General Description

Series FM double flow control valves permit free flow from the directional valve to the actuator and adjustable independent flow regulation in each return line from the actuator (meter-out). The FM2 and FM3 have a seal plate and can be inverted for meter-in applications (see installation drawing for flow direction).

B Features

- FM style flow control valves can be provided in either single or double configurations.
- The flow controls may be positioned in 'A' port, 'B' port, both 'A' and 'B' ports or 'P' port.
- Valve bodies are manufactured from steel providing extra strength and durability for longer life. Internal hardened steel components also provide longer life.
- Two step needles provide fine adjustment for the first few turns and course adjustment for the last few turns. Standard and fine adjustment needles available.
- Large bypass checks allow high flow at a low pressure drop.
- Valve is reversible (invert 180°) for meter-in or meter-out applications (FM2 and FM3 only).
- Adjustment options include Allen hex or hand knob.

Performance Curves



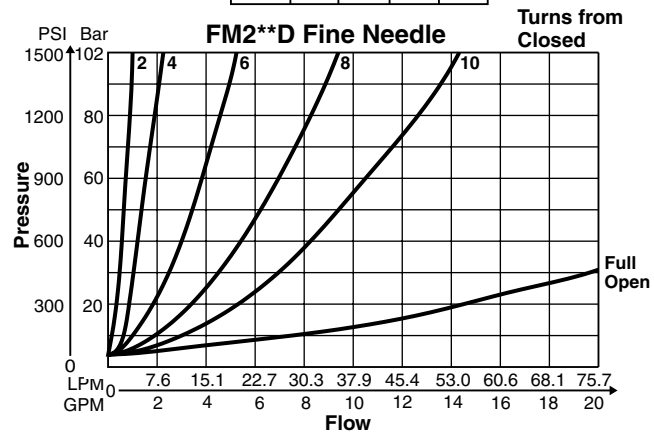
Specifications

	FM2	FM3	FM6
Mounting Pattern	NFPA D03, CETOP 3, NG 6	NFPA D05, CETOP 5, NG 10	NFPA D08, CETOP 8, NG 25
Maximum Pressure	345 Bar (5000 PSI)	345 Bar (5000 PSI)	205 Bar (3000 PSI)
Maximum Flow	76 LPM (20 GPM)	113 LPM (30 GPM)	341 LPM (90 GPM)
Cracking Pressure	0.3 Bar (5 PSI)	0.3 Bar (5 PSI)	0.3 Bar (5 PSI)

Pressure Drop Reference Chart

	P	A	B	T
PP	*	2	2	1
DD	1	*	*	1
AA	1	*	1	1
BB	1	1	*	1

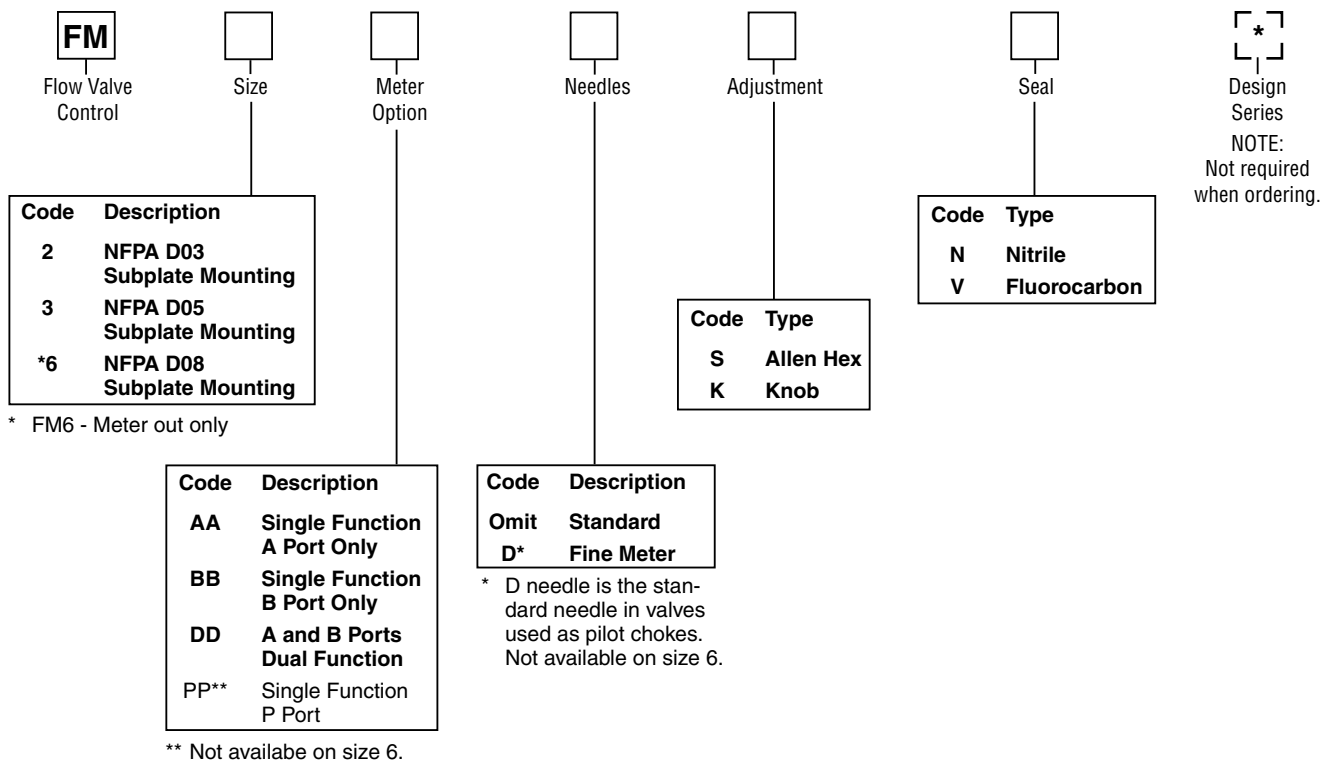
* See specific flow vs. turns



Curves were generated using 100 SSU hydraulic oil @49°C (120°F). For any other viscosity, pressure drop will change as per chart.

Viscosity Correction Factor							
Viscosity (SSU)	75	150	200	250	300	350	400
Percentage of ΔP (Approx.)	93	111	119	126	132	137	141

Parker Sandwich.indd, dd



Bold: Designates Tier I products and options.
Non-Bold: Designates Tier II products and options. These products will have longer lead times.

Bolt Kits

Size "2"				Size "3"			
No. of Sandwich	Sandwich & Valve Combination	Bolt Kit	Bolt Length mm (in)	No. of Sandwich	Sandwich & Valve Combination	D3W-30 D3DW & D31*W*	Bolt Length mm (in)
1	Sandwich & D1	BK243	73.2 (2.88)	1	Sandwich & D3	BK141	88.9 (3.50)
2	Sandwich & D1	BK225	111.3 (4.38)	2	Sandwich & D3	BK142	139.7 (5.50)
3	Sandwich & D1	BK244	152.4 (6.00)	3	Sandwich & D3	BK143	190.5 (7.50)
4	Sandwich & D1	BK245	190.5 (7.50)				

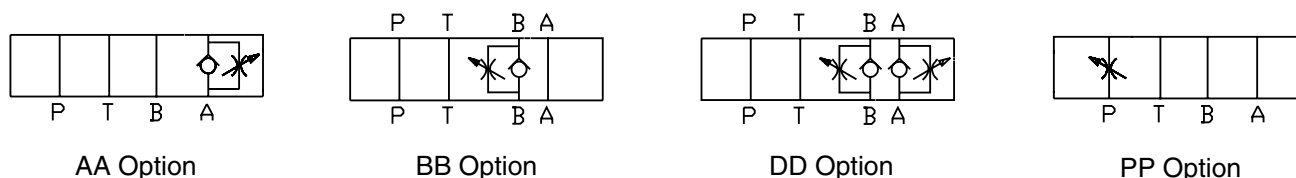
* D31VW with internal pilot and internal drain only.

Size "6"			
No. of Sandwich	Sadnwich & Valve Combination	Bolt Kit	Bolt Length mm (in)
1	Sandwich & D6	BK121	133.4 (5.25)
2	Sandwich & D6	BK122	203.2 (8.00)
3	Sandwich & D6	BK123	273.1 (10.75)
4	Sandwich & D6	BK124	342.9 (13.5)

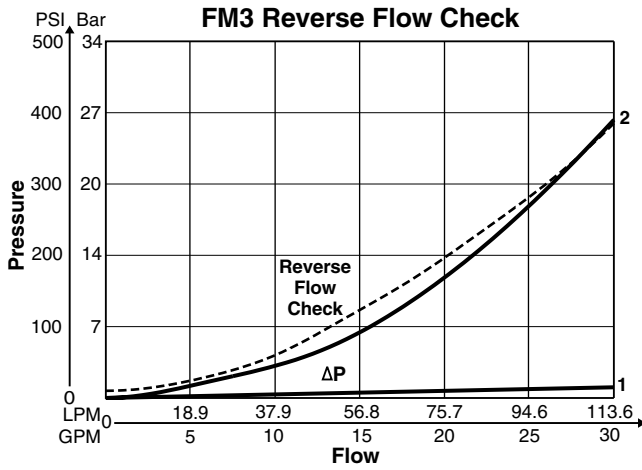
Unit Weight:
 FM2 1.7 kg (3.8 lbs.)
 FM3 2.4 kg (5.2 lbs.)
 FM6 7.9 kg (17.5 lbs.)

Bolt Kits must be ordered separately.

Schematics



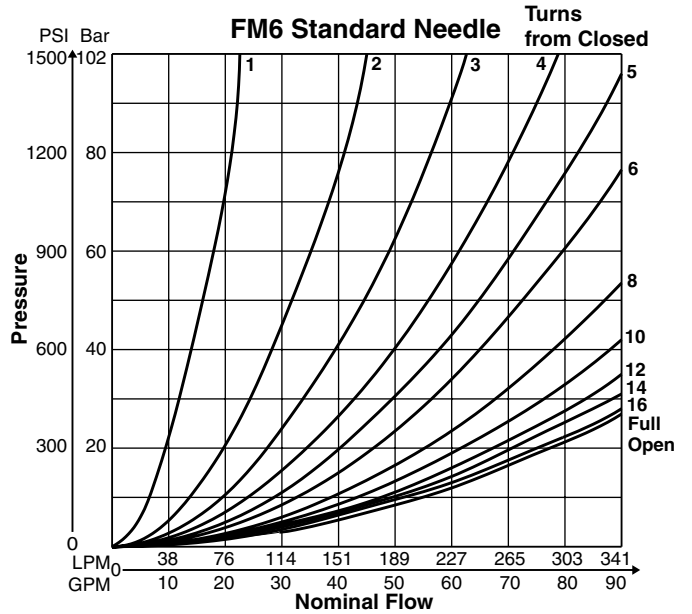
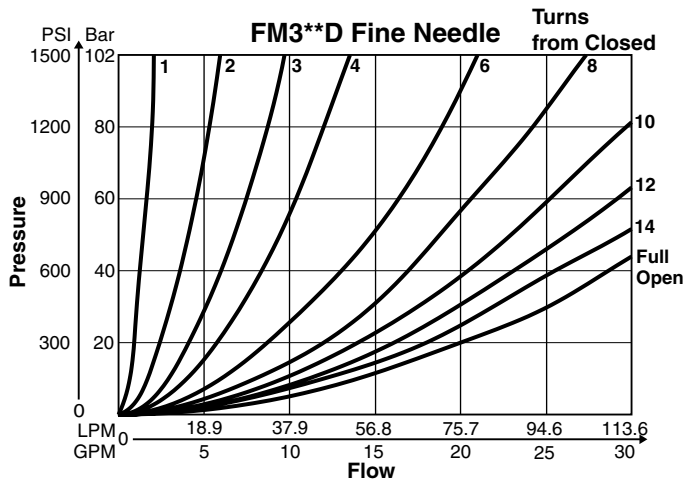
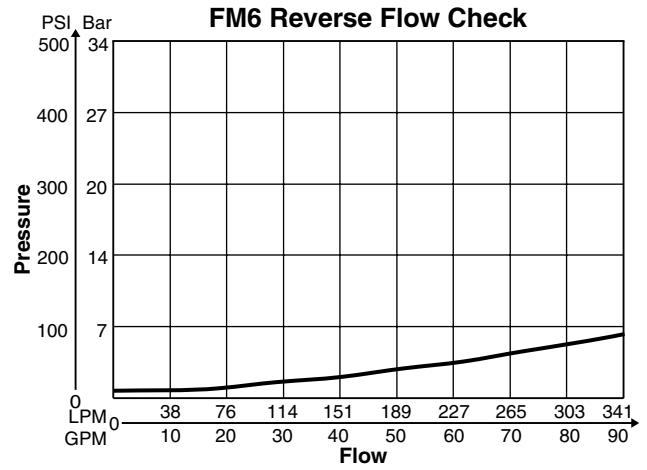
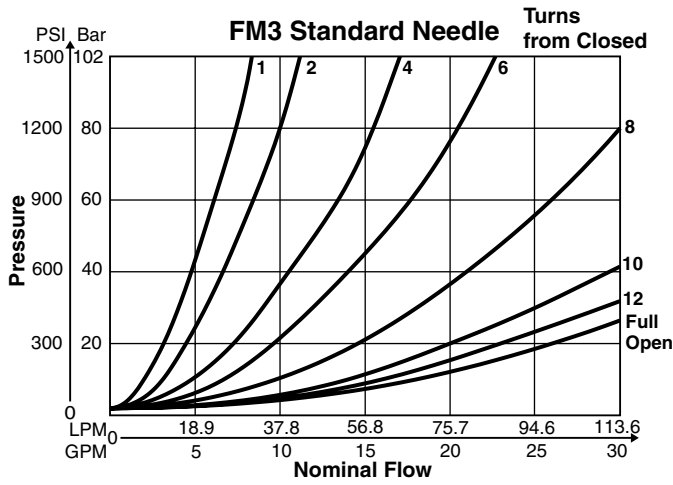
B



Pressure Drop Reference Chart

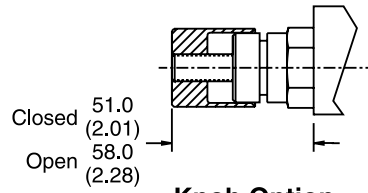
	P	A	B	T
PP	*	2	2	1
DD	1	*	*	1
AA	1	*	1	1
BB	1	1	*	1

* See specific flow vs. turns chart

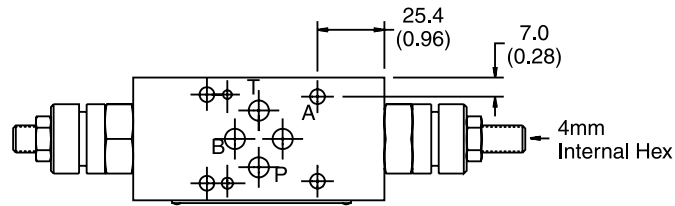


Inch equivalents for millimeter dimensions are shown in (**)

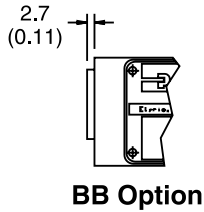
B



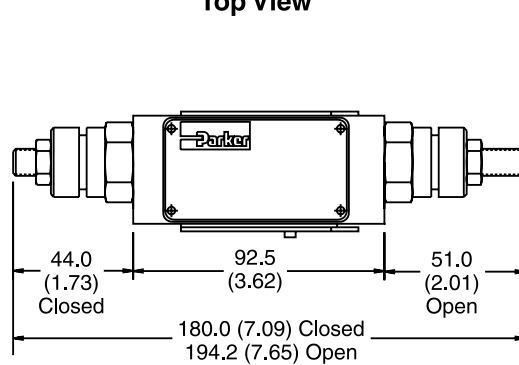
Knob Option



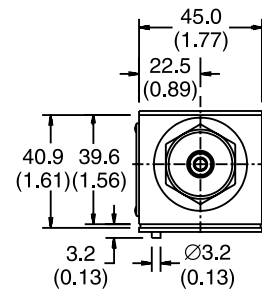
Top View



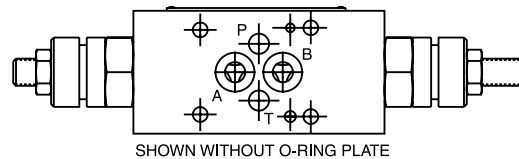
BB Option



Face View



End View



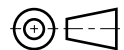
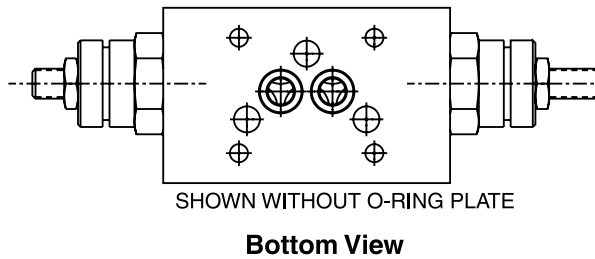
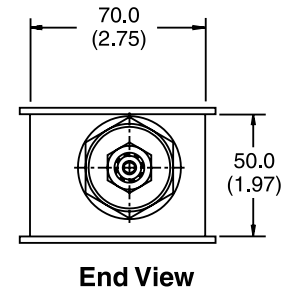
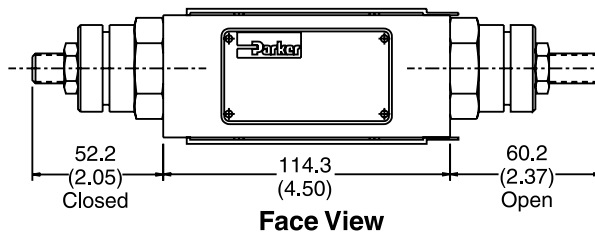
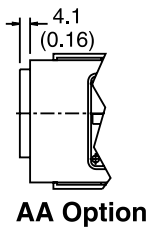
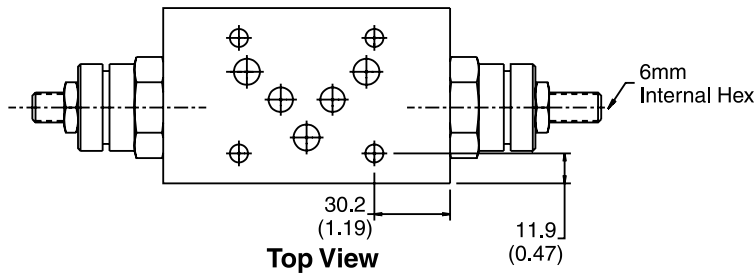
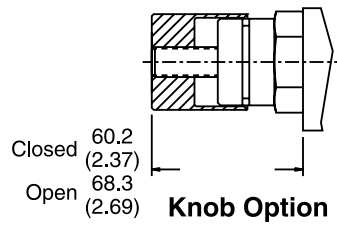
Bottom View



Note: For meter-in option, invert body 180°.

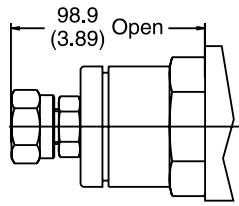
Inch equivalents for millimeter dimensions are shown in (**)

B



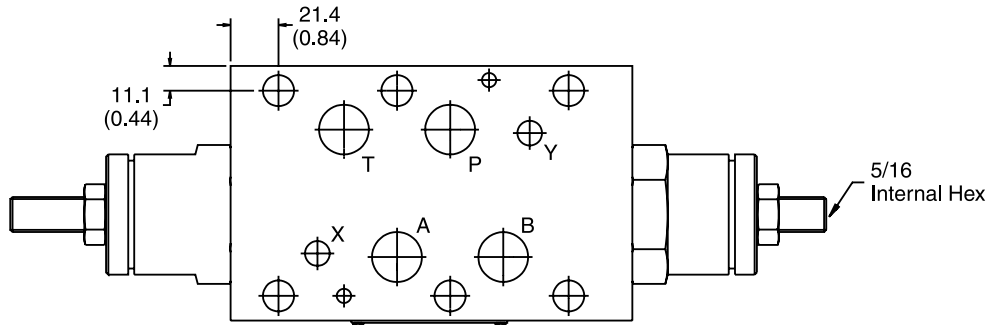
Note: For meter-in option, invert body 180°.

Inch equivalents for millimeter dimensions are shown in (**)

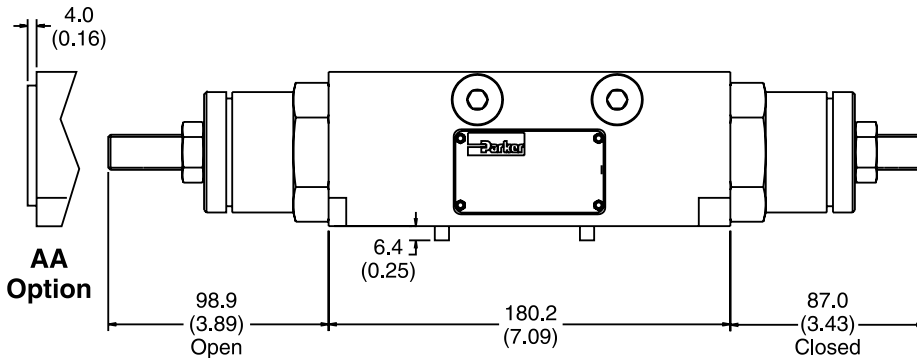


Knob Option

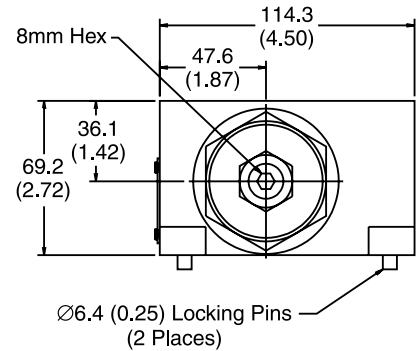
B



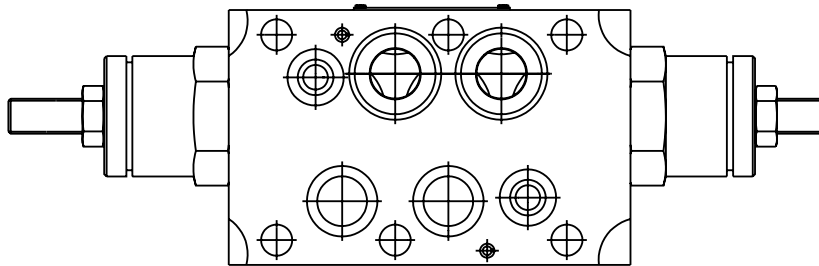
Top View



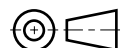
Face View



End View



Bottom View



General Description

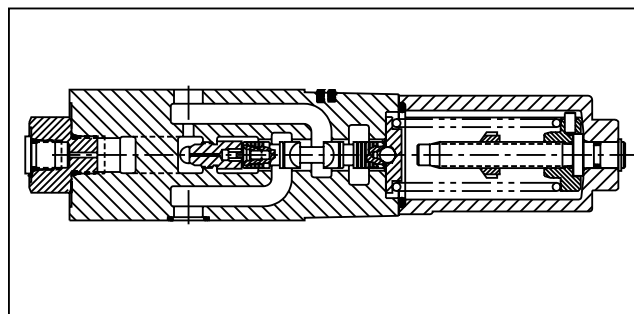
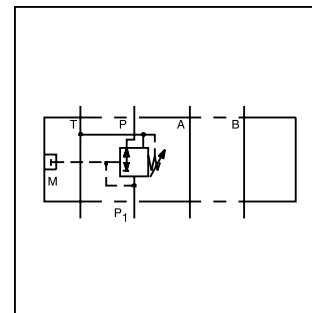
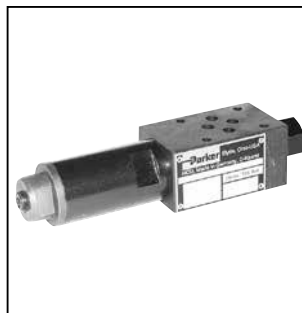
Series PRDM are direct operated pressure reducing valves that are used to regulate pressure in one area of a hydraulic circuit at a predetermined level below normal system pressure. Additionally, an integral pressure relieving function for the secondary reduced pressure circuit is incorporated into the design.

Operation

These valves are “normally open” devices that allow fluid to flow through the controlled port during their non-actuated or “at rest” condition. When downstream pressure exceeds the value set by the spring force, the control piston moves off its seat, closing off the flow path and thus reducing the fluid passing through from the main system. The cushioned piston modulates to maintain the preset pressure in this branch of the hydraulic circuit. If, due to external forces, the pressure continues to rise in this branch circuit, the piston will keep moving against the spring force allowing fluid to be drained to tank, thereby limiting maximum pressure to the valve’s setting.

Features

- PRDM sandwich valves may be selected to reduce pressure in the 'P' port, 'A' port or 'B' port.
- The direct operated, cushioned piston design results in fast response, low leakage and minimal hysteresis.
- Up to nine pressure adjustment ranges are available with maximum pressure settings.
- Adjustment options include: internal hex screw, hand knob or internal hex with keylock.
- Fluorocarbon seals are available.
- Available gage port connections include SAE, NPT, Metric and BSPP.

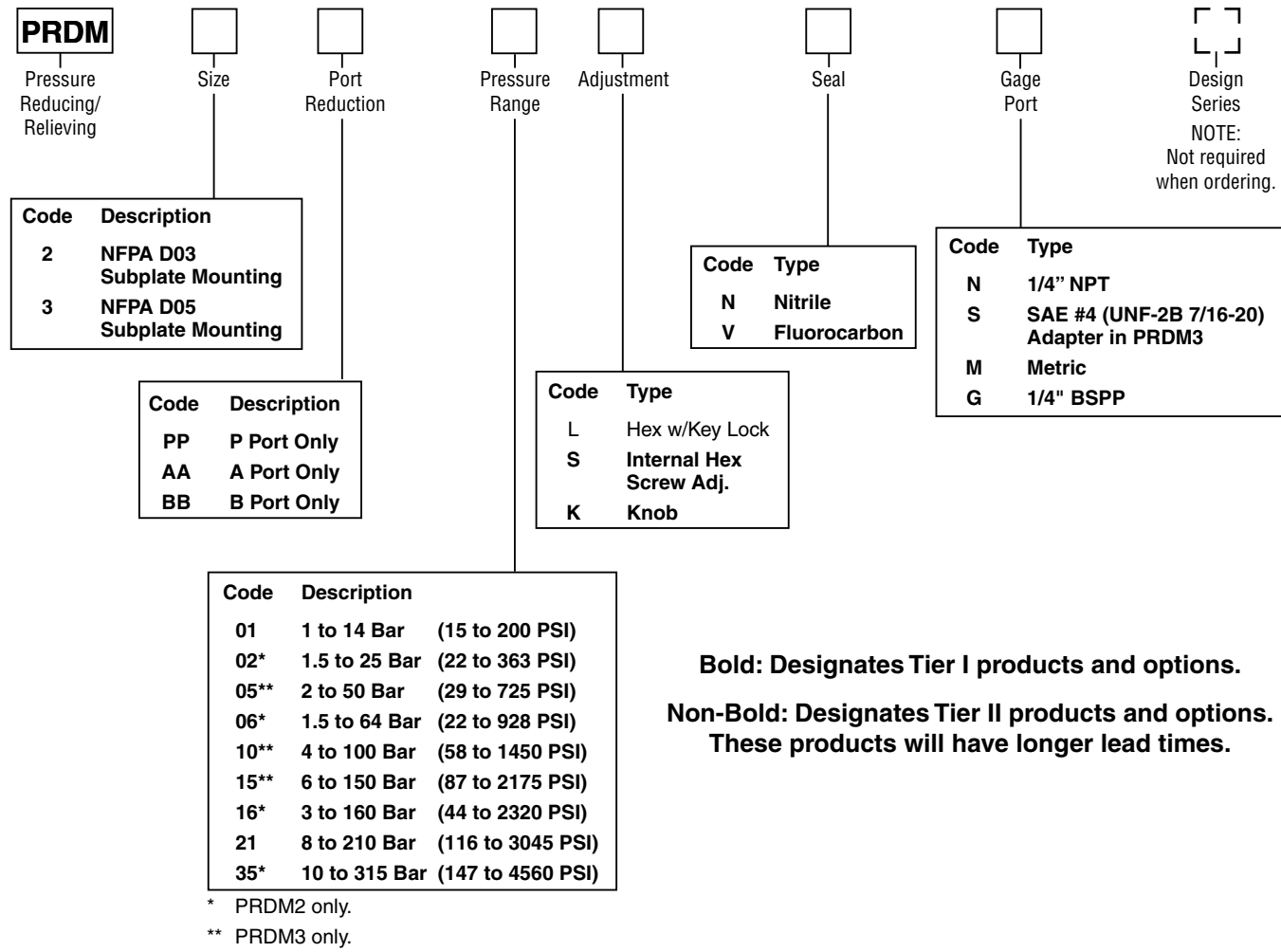


Specifications

	PRDM2	PRDM3																				
Mounting Pattern	NFPA D03, CETOP 3, NG6	NFPA D05, CETOP 5, NG10																				
Maximum Operating Pressure P, A, B	350 Bar (5000 PSI)	315 Bar (4560 PSI)																				
T	10 Bar (145 PSI)	10 Bar (145 PSI)																				
Max. Flow	40 LPM (10.5 GPM)	80 LPM (21 GPM)																				
Maximum Leakage P-A	15 ml/min (1.0 cu. in.)																					
Pressure Range	<table border="0"> <tr> <td>Code</td> <td>Range</td> </tr> <tr> <td>01</td> <td>1.0 to 14 Bar (15 to 200 PSI)</td> </tr> <tr> <td>02*</td> <td>1.5 to 25 Bar (22 to 363 PSI)</td> </tr> <tr> <td>05**</td> <td>2 to 50 Bar (29 to 725 PSI)</td> </tr> <tr> <td>06*</td> <td>1.5 to 64 Bar (22 to 928 PSI)</td> </tr> <tr> <td>10**</td> <td>4 to 100 Bar (58 to 1450 PSI)</td> </tr> <tr> <td>15**</td> <td>6 to 150 Bar (87 to 2175 PSI)</td> </tr> <tr> <td>16*</td> <td>3 to 160 Bar (44 to 2320 PSI)</td> </tr> <tr> <td>21</td> <td>8 to 210 Bar (116 to 3045 PSI)</td> </tr> <tr> <td>35*</td> <td>10 to 315 Bar (147 to 4560 PSI)</td> </tr> </table>		Code	Range	01	1.0 to 14 Bar (15 to 200 PSI)	02*	1.5 to 25 Bar (22 to 363 PSI)	05**	2 to 50 Bar (29 to 725 PSI)	06*	1.5 to 64 Bar (22 to 928 PSI)	10**	4 to 100 Bar (58 to 1450 PSI)	15**	6 to 150 Bar (87 to 2175 PSI)	16*	3 to 160 Bar (44 to 2320 PSI)	21	8 to 210 Bar (116 to 3045 PSI)	35*	10 to 315 Bar (147 to 4560 PSI)
Code	Range																					
01	1.0 to 14 Bar (15 to 200 PSI)																					
02*	1.5 to 25 Bar (22 to 363 PSI)																					
05**	2 to 50 Bar (29 to 725 PSI)																					
06*	1.5 to 64 Bar (22 to 928 PSI)																					
10**	4 to 100 Bar (58 to 1450 PSI)																					
15**	6 to 150 Bar (87 to 2175 PSI)																					
16*	3 to 160 Bar (44 to 2320 PSI)																					
21	8 to 210 Bar (116 to 3045 PSI)																					
35*	10 to 315 Bar (147 to 4560 PSI)																					
Viscosity Range	12 to 230 cSt / mm ² /s (56 to 1066 SSU)																					
Filtration	ISO Code 18/16/13 or Better																					

* PRDM2 only

** PRDM3 only.



Bolt Kits

Size "2"				Size "3"			
No. of Sandwich	Sandwich & Valve Combination	Bolt Kit	Bolt Length mm (in)	No. of Sandwich	Sandwich & Valve Combination	D3W-30 D3DW & D31*W*	Bolt Length mm (in)
1	Sandwich & D1	BK243	73.2 (2.88)	1	Sandwich & D3	BK141	88.9 (3.50)
2	Sandwich & D1	BK225	111.3 (4.38)	2	Sandwich & D3	BK142	139.7 (5.50)
3	Sandwich & D1	BK244	152.4 (6.00)	3	Sandwich & D3	BK143	190.5 (7.50)
4	Sandwich & D1	BK245	190.5 (7.50)				

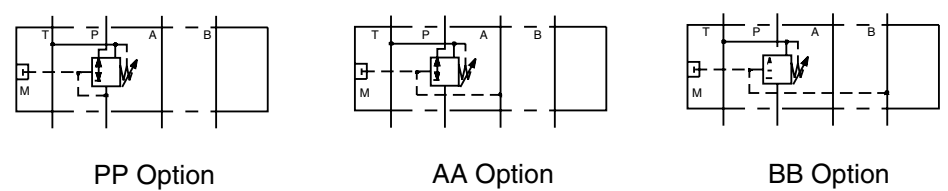
* D31VW with internal pilot and internal drain only.

Bolt Kits must be ordered separately.

Weights:

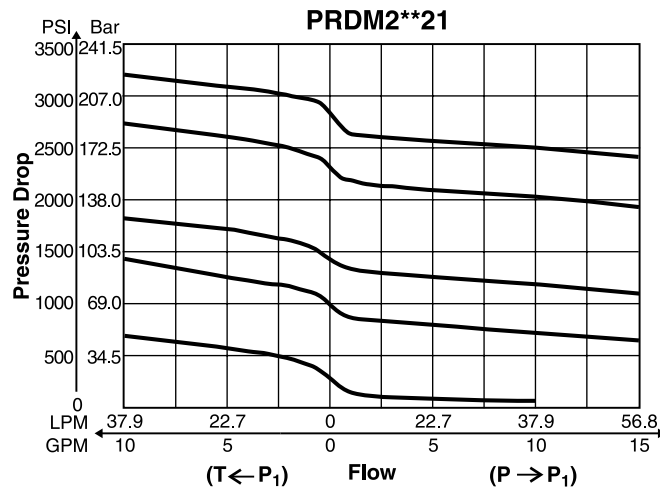
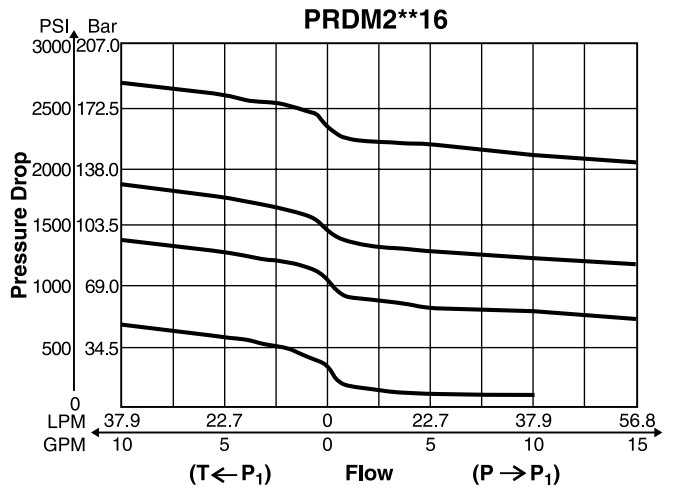
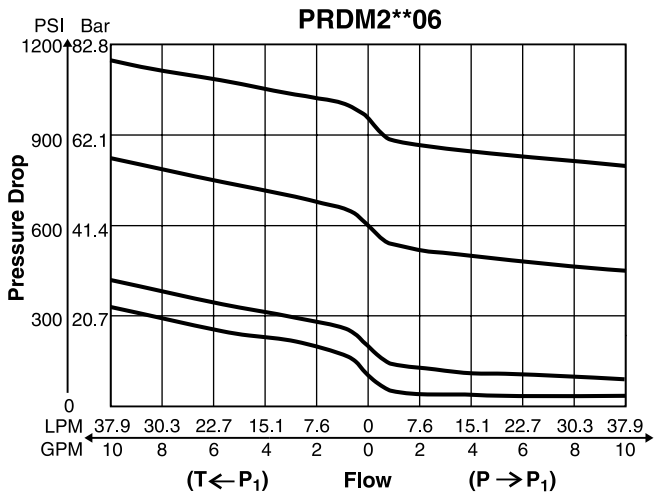
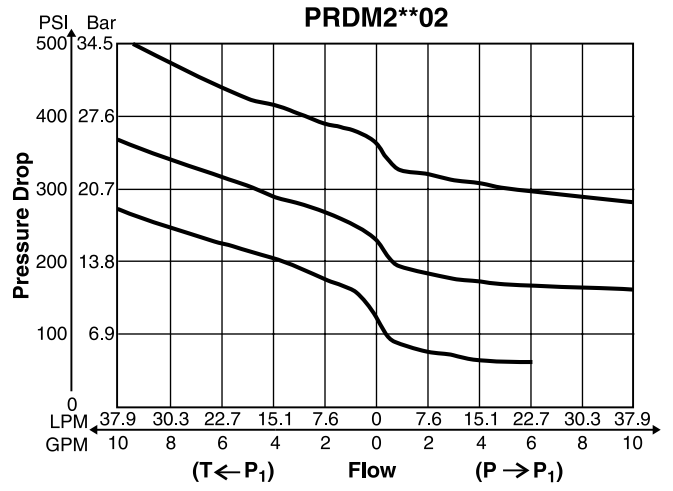
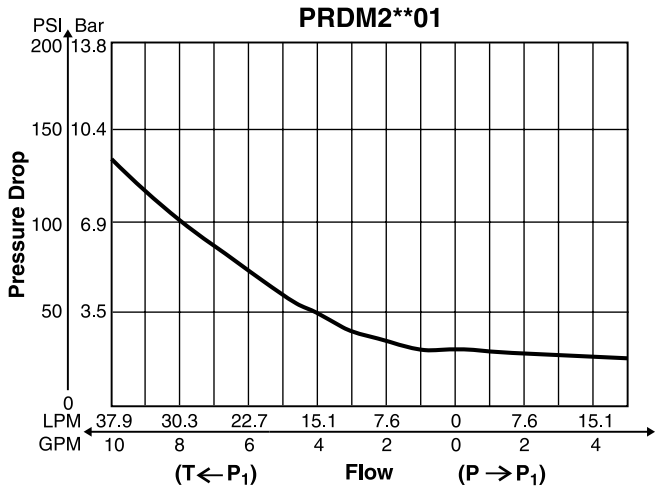
PRDM2 1.3 kg (2.9 lbs.)
 PRDM3 2.6 kg (5.8 lbs.)

Schematics



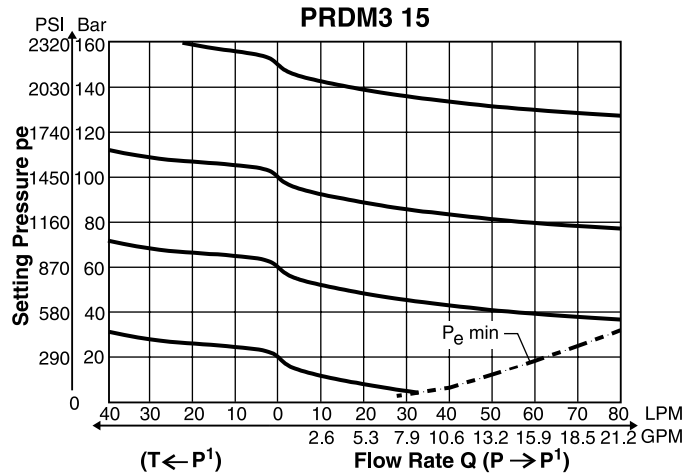
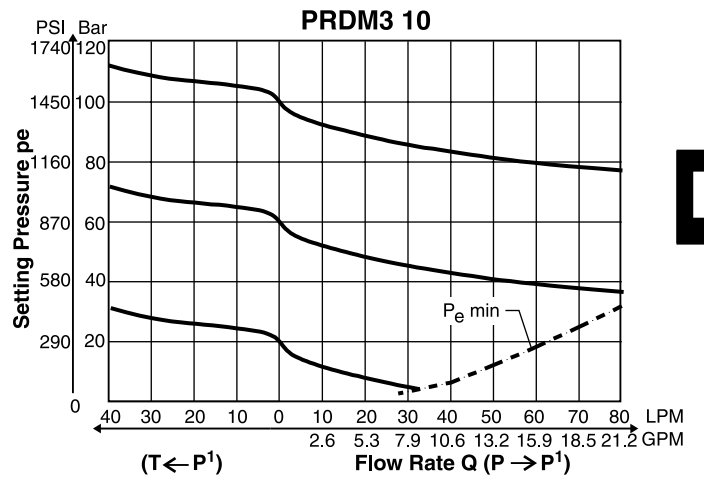
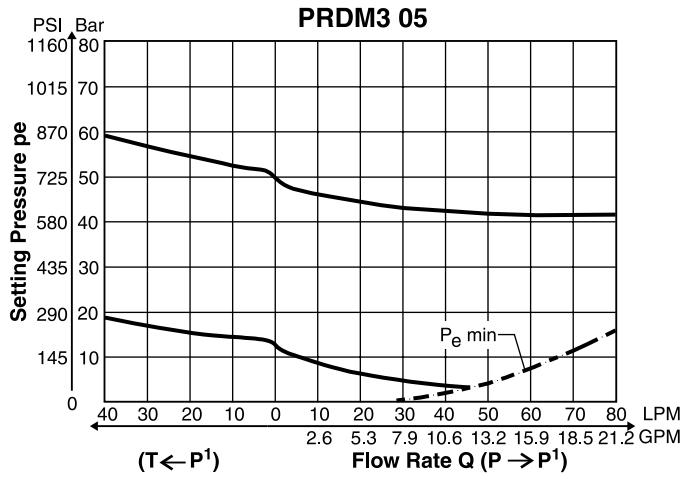
Parker Sandwich.indd, dd

B



NOTE: Lowest pressure setting dependent upon system resistance.

B

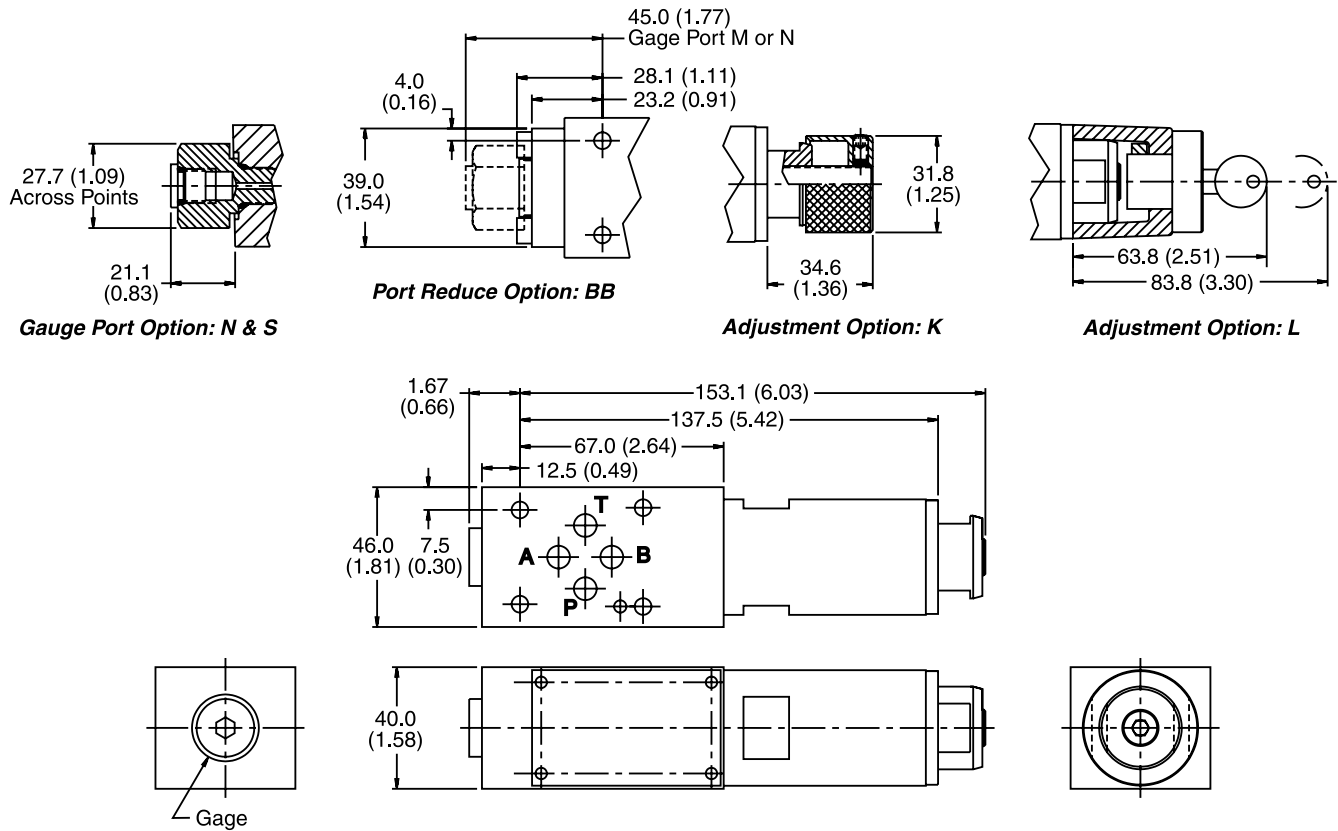


NOTE: Lowest pressure setting dependent upon system resistance.

PRDM2

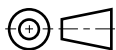
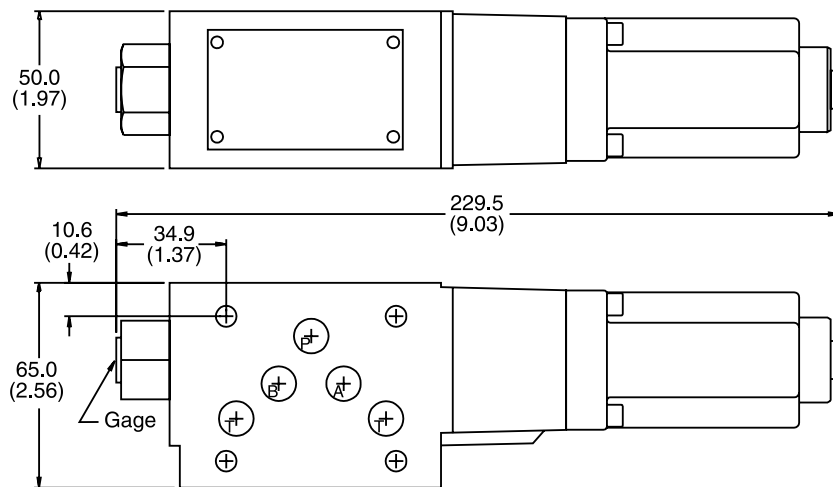
Inch equivalents for millimeter dimensions are shown in (**)

B



PRDM3

Inch equivalents for millimeter dimensions are shown in (**)



General Description

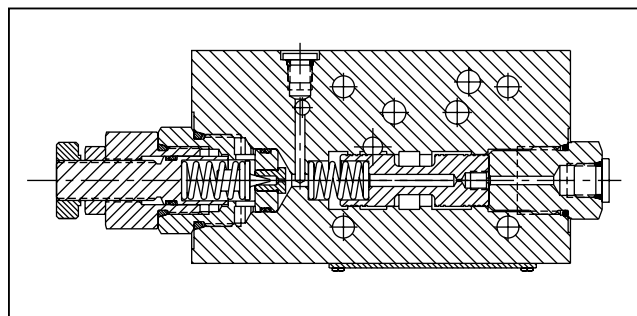
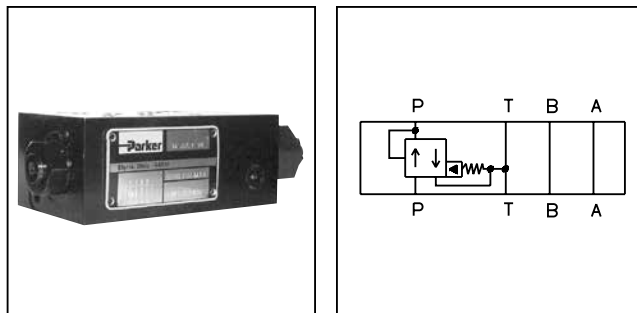
Series PRM reducing valves are used to regulate pressure, in one area of a circuit, below normal system pressure. This style valve is well suited to perform this function as it mounts directly below the directional control valve.

Operation

These are "normally open" valves that allow fluid to pass through the controlled port during typical operation. When downstream pressure rises above the value set by an adjustable spring force, the control pilot opens and allows the main spool to move from a full open position. The main spool modulates to maintain the desired "reduced pressure" downstream of the valve. The PRM3 also has a relieving mode.

Features

- PRM sandwich style pressure reducing valves can be used to reduce pressure on the 'P' port, the 'A' port, or the 'B' port.
- Three pressure adjustment options are available: slotted screw, knob and locking knob. (PRM6 only)
- Valve bodies are manufactured from steel which provide extra strength and durability for longer life. Internal hardened steel components also provide longer life.



Specifications

	PRM3	PRM6		PRM3/PRM6										
Mounting Pattern	NFPA D05, CETOP 5, NG 10	NFPA D08, CETOP 8, NG 25	Filtration	ISO 4406 (1999); 18/16/13 (meet NAS 1638:7)										
Minimum Pressure	10 Bar (150 PSI) with rated flow, 150 SSU oil, and fluid temperature of 38°C (100°F). ¹		Venting	Connecting the vent port to tank allows the reducing valve to divert flow at minimum pressure.										
Maximum Pressure	345 Bar (5000 PSI)	345 Bar (5000 PSI)	Remote Control	Remote control valve connected to the vent port can be used to control the pressure. ²										
Min. Flow	3.78 LPM (1 GPM)	3.78 LPM (1 GPM)	Drain Line	Drain line from pilot valve is internally connected to the tank port. Tank line pressure is thus added to the valve setting. ³										
Maximum Flow	64 LPM (17 GPM)	189 LPM (50 GPM)												
Pressure Range	<table border="1"> <thead> <tr> <th>Code</th> <th>Pressure Range</th> </tr> </thead> <tbody> <tr> <td>07</td> <td>10 to 70 Bar (150 - 1000 PSI)</td> </tr> <tr> <td>17</td> <td>10 to 175 Bar (150 - 2500 PSI)</td> </tr> <tr> <td>25</td> <td>10 to 250 Bar (150 - 3500 PSI)</td> </tr> <tr> <td>35</td> <td>10 to 350 Bar (150 - 5000 PSI)</td> </tr> </tbody> </table>	Code	Pressure Range	07	10 to 70 Bar (150 - 1000 PSI)	17	10 to 175 Bar (150 - 2500 PSI)	25	10 to 250 Bar (150 - 3500 PSI)	35	10 to 350 Bar (150 - 5000 PSI)			
Code	Pressure Range													
07	10 to 70 Bar (150 - 1000 PSI)													
17	10 to 175 Bar (150 - 2500 PSI)													
25	10 to 250 Bar (150 - 3500 PSI)													
35	10 to 350 Bar (150 - 5000 PSI)													

¹ Change in flow, temperature or fluid (SSU) rating will affect valve minimum pressure.

² Set main valve pressure 10 Bar (150 PSI) higher than remote pilot.

³ It is important that the drain line connection be taken into consideration when determining the minimum valve setting.

B

PRM

Pressure Reducing Valve

Size

Port Reduction

Pressure Range

Adjustment

Seal

Gauge Port

Drain

Design Series

NOTE:
 Not required when ordering.

Code	Description
3	NFPA D05 Subplate Mounting
6	NFPA D08 Subplate Mounting

Code	Description	Available Models	
		PRM3	PRM6
PP	P Port Only	✓	
AA	A Port Only	✓	
BB	B Port Only	✓	✓
PA	P Port Reduced/Convertible to A Port Reduced		✓
AP	A Port Reduced/Convertible to P Port Reduced		✓

Code	Description
07	10 to 70 Bar (150 to 1000 PSI)
17	10 to 175 Bar (150 to 2500 PSI)
25	10 to 250 Bar (150 to 3500 PSI)
35	10 to 345 Bar (150 to 5000 PSI)

Code	Type
N	Nitrile
V	Fluorocarbon

Code	Type
K	Knob
L*	Locking Knob
S	Screw Adj.

* PRM6 only.

Code	Type
Omit*	SAE
S†	SAE
N†	NPT
M†	Metric
G	1/4 BSPP

* PRM6 only.
 † PRM3 only.

Code	Type
Omit	Internal
Y	External

Unit Weight:

PRM3 3.0 kg (6.6 lbs.)

PRM6 5.6 kg (12.5 lbs.)

Bold: Designates Tier I products and options.

Non-Bold: Designates Tier II products and options.
 These products will have longer lead times.

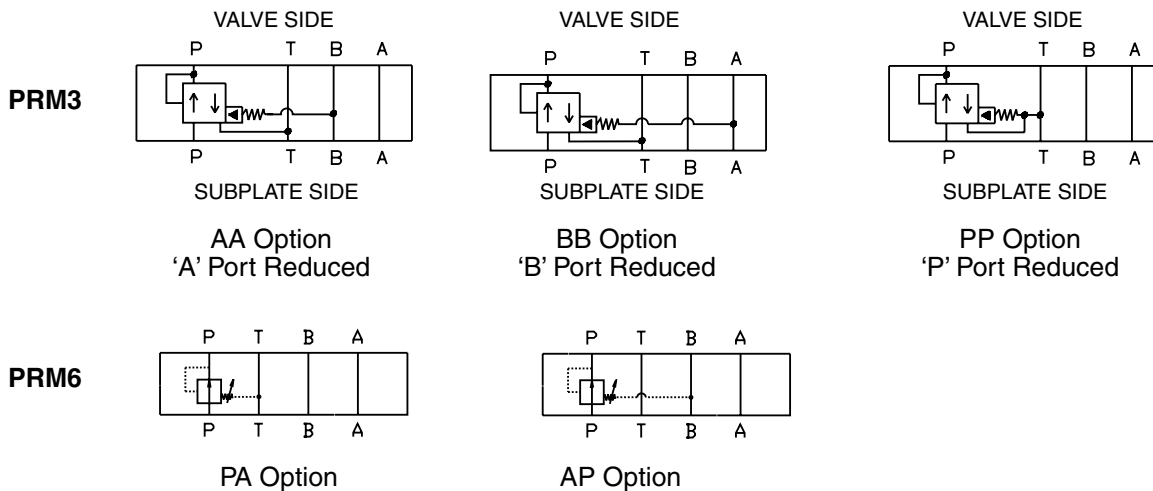
Bolt Kits

Size "3"				Size "6"			
No. of Sandwich	Sandwich & Valve Combination	D3W-30 D3DW & D31*W*	Bolt Length mm (in)	No. of Sandwich	Sandwich & Valve Combination	Bolt Kit	Bolt Length mm (in)
1	Sandwich & D3	BK141	88.9 (3.50)	1	Sandwich & D6	BK121	133.4 (5.25)
2	Sandwich & D3	BK142	139.7 (5.50)	2	Sandwich & D6	BK122	203.2 (8.00)
3	Sandwich & D3	BK143	190.5 (7.50)	3	Sandwich & D6	BK123	273.1 (10.75)
				4	Sandwich & D6	BK124	342.9 (13.5)

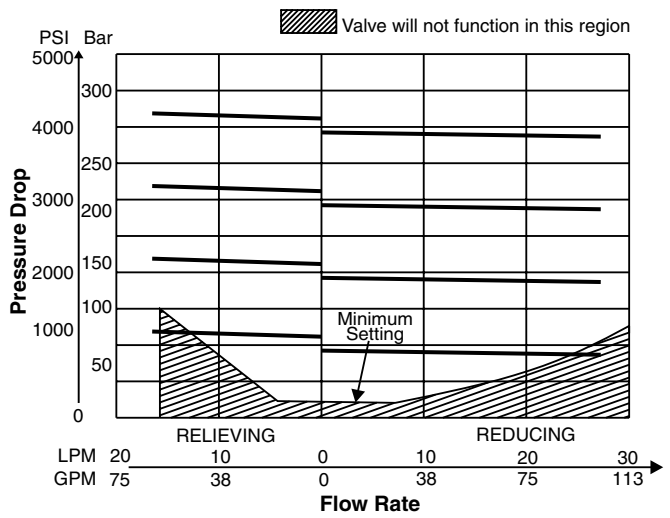
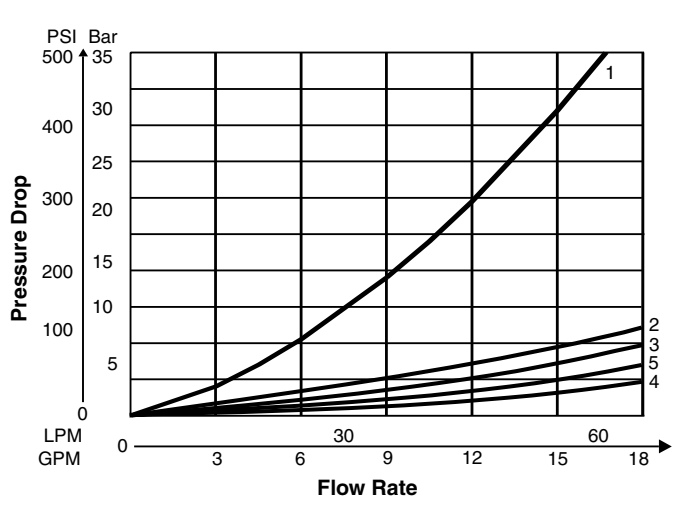
* D31VW with internal pilot and internal drain only.

Bolt Kits must be ordered separately.

Schematics



Performance Curves



B

Mode	Flow Path			
	P → P	A → A	B → B	T → T
PP	1	2	3	4
AA	1	2	3	5
BB	1	2	3	5

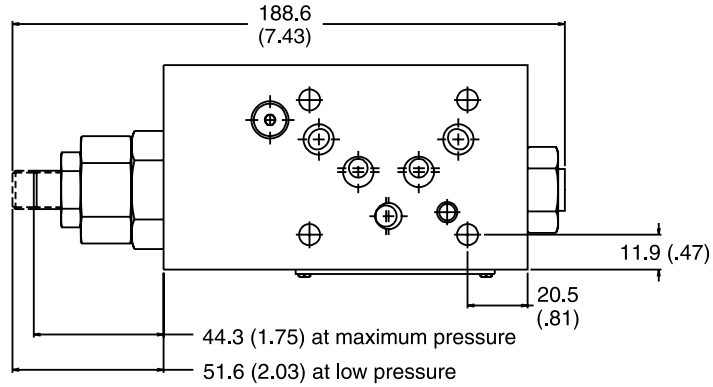
Viscosity Correction Factor							
Viscosity (SSU)	75	150	200	250	300	350	400
% of ΔP (approx.)	93	111	119	126	132	137	141
Curves were generated using 100 SSU hydraulic oil. For any other viscosity, pressure drop will change per chart.							

NOTE: Lowest pressure setting dependent upon system resistance.

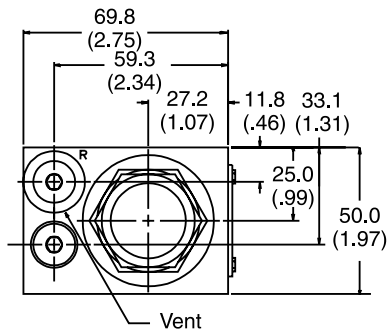
PRM3AA

Inch equivalents for millimeter dimensions are shown in (**)

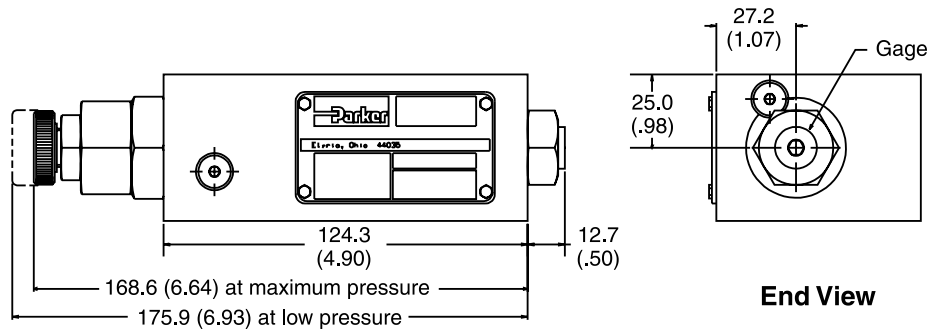
B



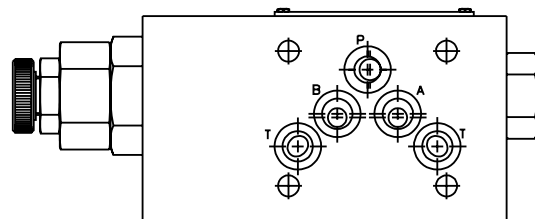
Top View



End View



Face View



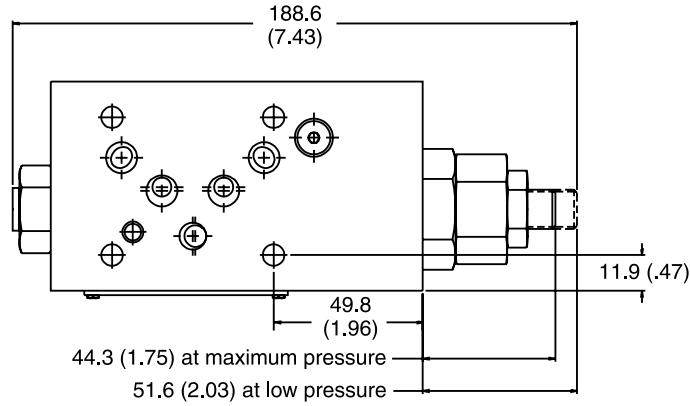
Bottom View



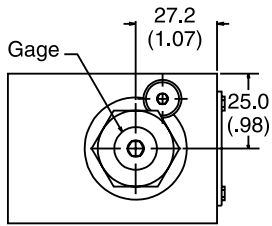
PRM3BB

Inch equivalents for millimeter dimensions are shown in (**)

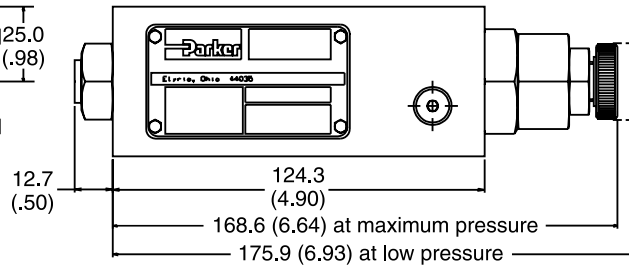
B



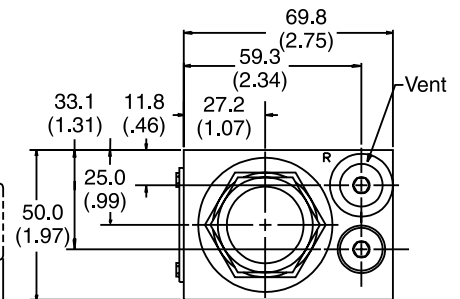
Top View



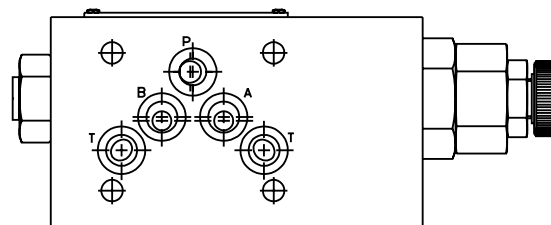
End View



Face View



End View



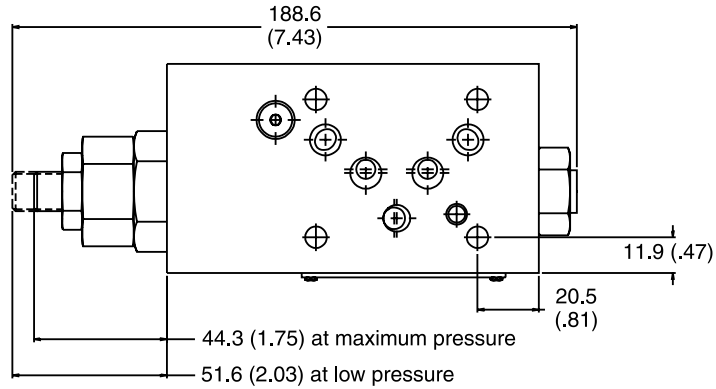
Bottom View



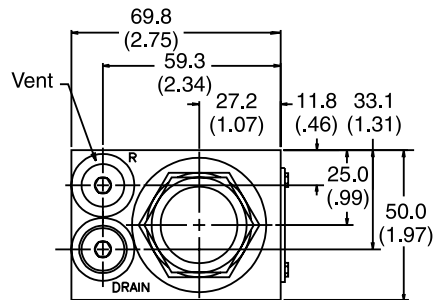
PRM3PP

Inch equivalents for millimeter dimensions are shown in (**)

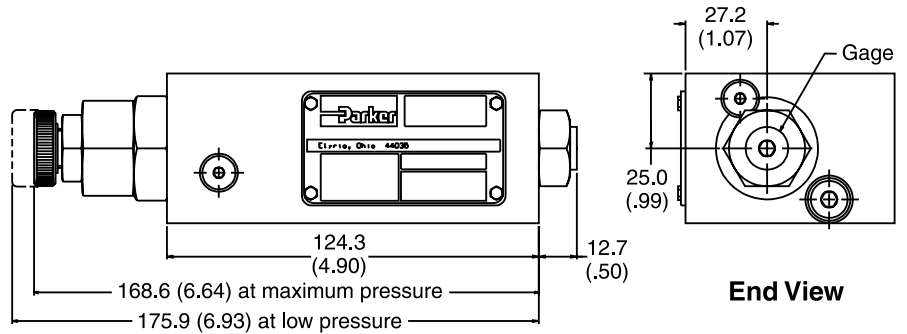
B



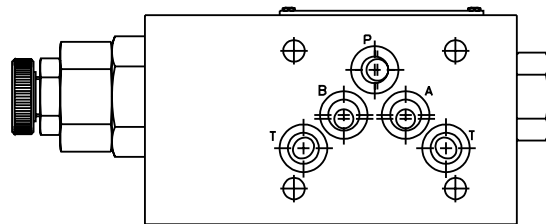
Top View



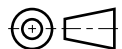
End View



Face View

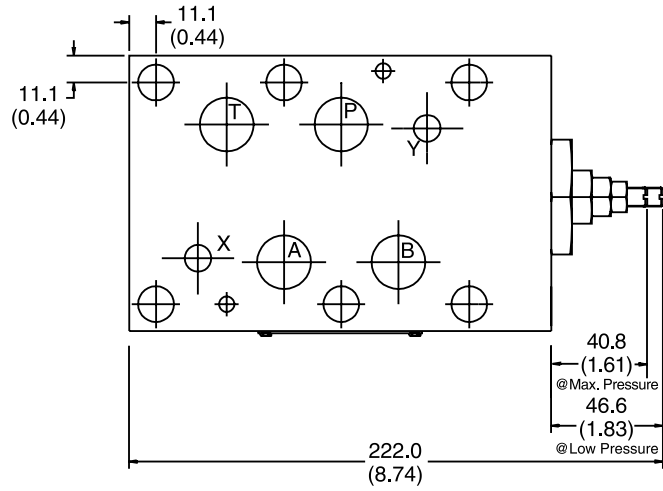


Bottom View

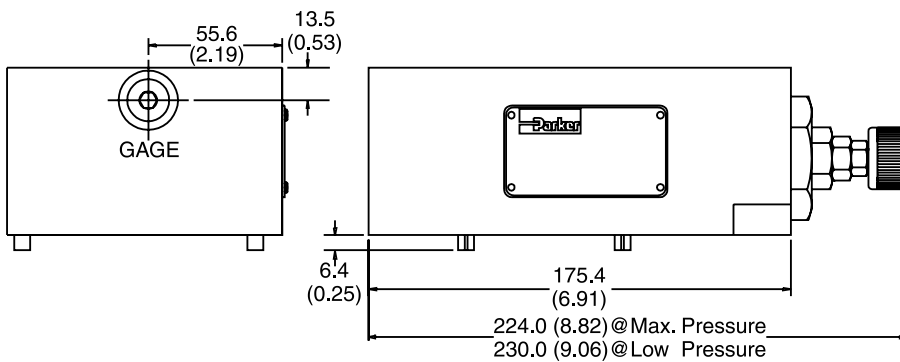


Inch equivalents for millimeter dimensions are shown in (**)

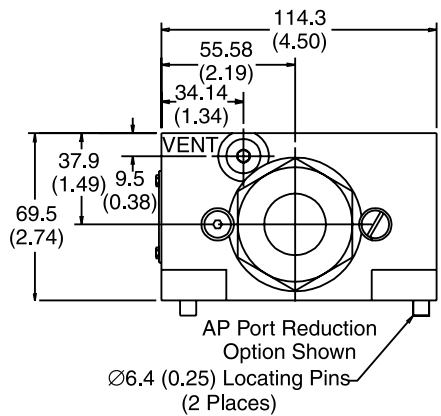
B



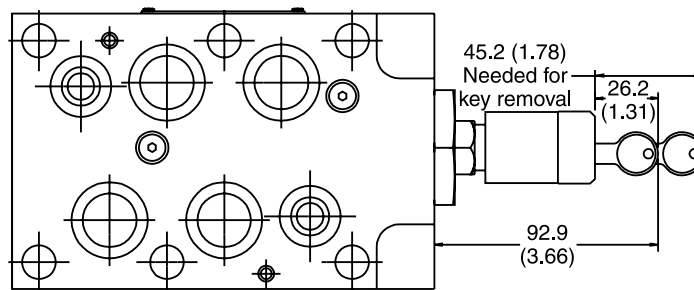
Top View



Face View



End View



Bottom View



General Description

Series RM relief valves limit system pressure by opening to tank when system pressure reaches the valve setting. With D03 size, they can also be configured to limit the 'A' or 'B' work port pressures independently.

B

Features

- RM sandwich style relief valves can be used to limit pressure in the 'P' port, 'A' port, or 'B' port.
- Valve bodies are manufactured from steel which provide extra strength and durability for longer life. Internal hardened steel components also provide longer life.
- Three pressure adjustment options are available: slotted screw, knob and locking knob.
- SAE Gage Port

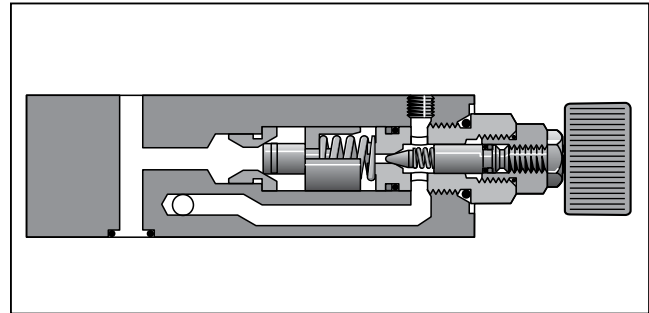
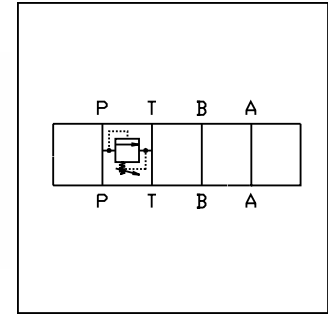
Specifications

	RM2	RM3	RM6										
Mounting Pattern	NFPA D03, CETOP 3, NG 6	NFPA D05, CETOP 5, NG 10	NFPA D08, CETOP 8, NG 25										
Minimum Pressure	10 Bar (150 PSI) with rated flow, 150 SSU oil, and fluid temperature of 38°C (100°F). ¹												
Maximum Pressure	350 Bar (5000 PSI)	350 Bar (5000 PSI)	350 Bar (5000 PSI)										
Minimum Flow	3.78 LPM (1 GPM)	3.78 LPM (1 GPM)	3.78 LPM (1 GPM)										
Maximum Flow	53 LPM (14 GPM)	76 LPM (20 GPM)	341 LPM (90 GPM)										
Pressure Range	<table border="1"> <thead> <tr> <th>Code</th> <th>Pressure Range</th> </tr> </thead> <tbody> <tr> <td>07</td> <td>10 to 70 Bar (150 - 1000 PSI)</td> </tr> <tr> <td>17</td> <td>10 to 175 Bar (150 - 2500 PSI)</td> </tr> <tr> <td>25</td> <td>10 to 250 Bar (150 - 3500 PSI)</td> </tr> <tr> <td>35</td> <td>10 to 350 Bar (150 - 5000 PSI)</td> </tr> </tbody> </table>			Code	Pressure Range	07	10 to 70 Bar (150 - 1000 PSI)	17	10 to 175 Bar (150 - 2500 PSI)	25	10 to 250 Bar (150 - 3500 PSI)	35	10 to 350 Bar (150 - 5000 PSI)
Code	Pressure Range												
07	10 to 70 Bar (150 - 1000 PSI)												
17	10 to 175 Bar (150 - 2500 PSI)												
25	10 to 250 Bar (150 - 3500 PSI)												
35	10 to 350 Bar (150 - 5000 PSI)												
Filtration	ISO 4406 (1999); 18/16/13 (meet NAS 1638:7)												
Venting	Connecting the vent port to tank allows the relief valve to divert flow at minimum pressure. ²												
Remote Control	Remote control valve connected to the vent port can be used to control the pressure. ³												

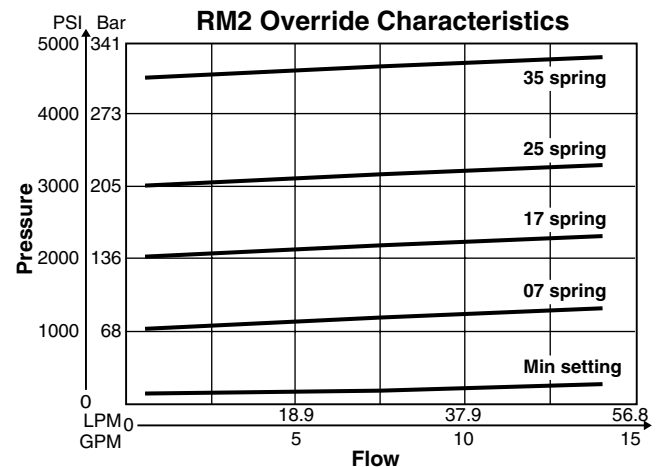
¹ Change in flow, temperature or fluid (SSU) rating will affect valve minimum pressure.

² Not available on Model RM2.

³ Set main valve pressure 10 Bar (150 PSI) higher than remote pilot.

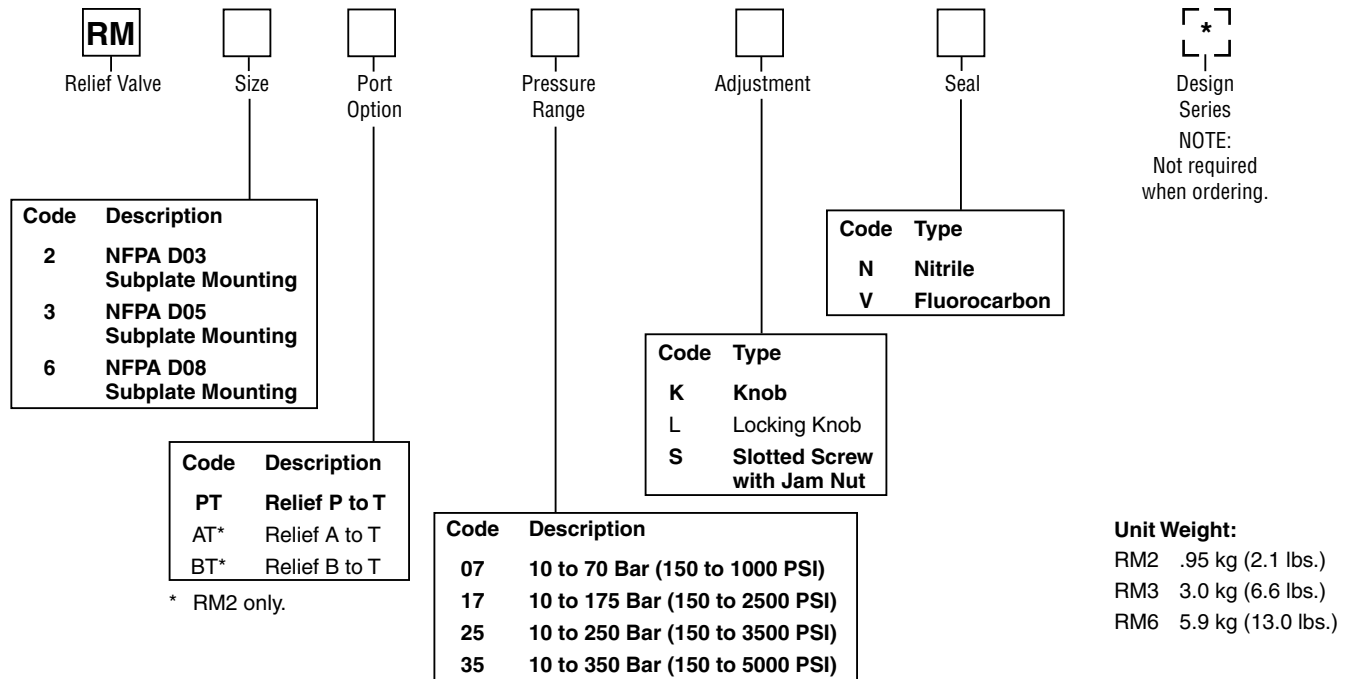


Performance Curves



VISCOSITY CORRECTION FACTOR							
Viscosity (SSU)	75	150	200	250	300	350	400
% of ΔP (Approx.)	93	111	119	126	132	137	141

Curves were generated using 100 SSU hydraulic oil. For any other viscosity, pressure drop will change per chart.



Bold: Designates Tier I products and options.

Non-Bold: Designates Tier II products and options. These products will have longer lead times.

Bolt Kits

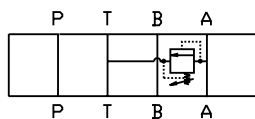
Size "2"				Size "3"			
No. of Sandwich	Sandwich & Valve Combination	Bolt Kit	Bolt Length mm (in)	No. of Sandwich	Sandwich & Valve Combination	D3W-30 D3DW & D31*W*	Bolt Length mm (in)
1	Sandwich & D1	BK243	73.2 (2.88)	1	Sandwich & D3	BK141	88.9 (3.50)
2	Sandwich & D1	BK225	111.3 (4.38)	2	Sandwich & D3	BK142	139.7 (5.50)
3	Sandwich & D1	BK244	152.4 (6.00)	3	Sandwich & D3	BK143	190.5 (7.50)
4	Sandwich & D1	BK245	190.5 (7.50)				

* D31VW with internal pilot and internal drain only.

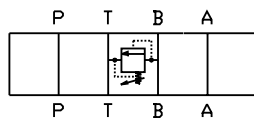
Size "6"			
No. of Sandwich	Sandwich & Valve Combination	Bolt Kit	Bolt Length mm (in)
1	Sandwich & D6	BK121	133.4 (5.25)
2	Sandwich & D6	BK122	203.2 (8.00)
3	Sandwich & D6	BK123	273.1 (10.75)
4	Sandwich & D6	BK124	342.9 (13.5)

Bolt Kits must be ordered separately.

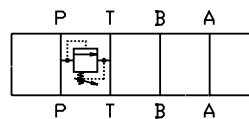
Schematics



AT Option

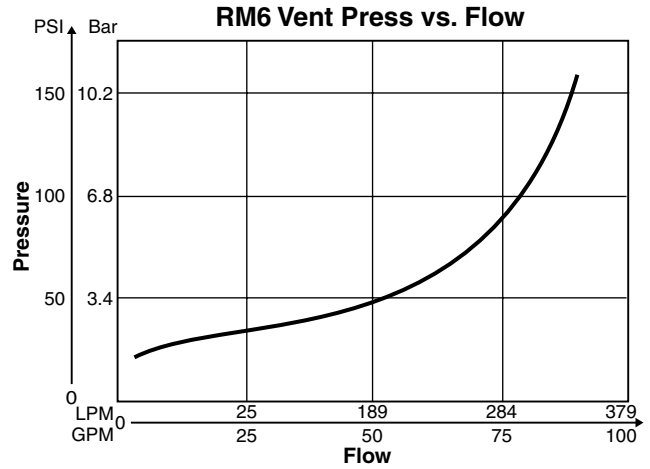
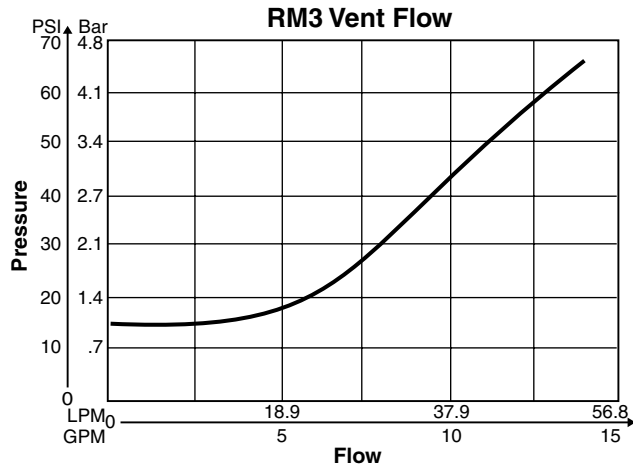
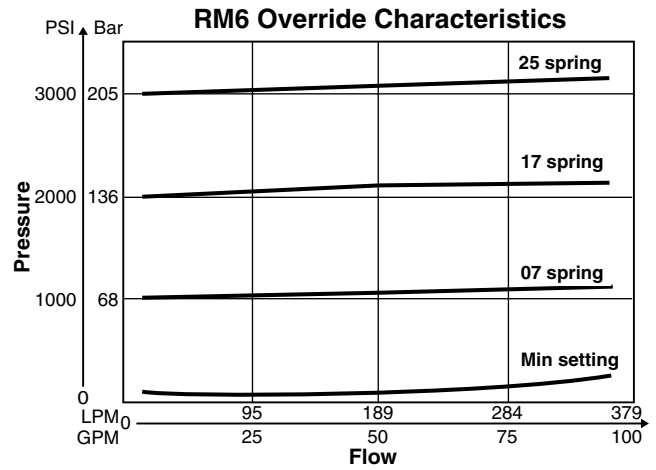
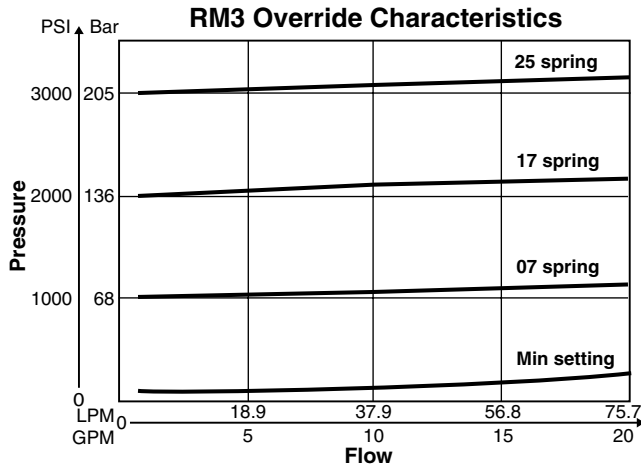


SUBPLATE SIDE
 BT Option



PT Option

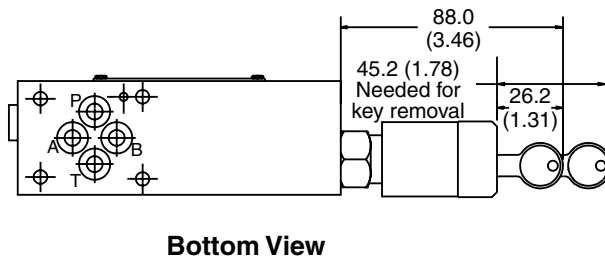
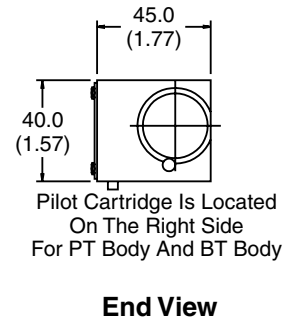
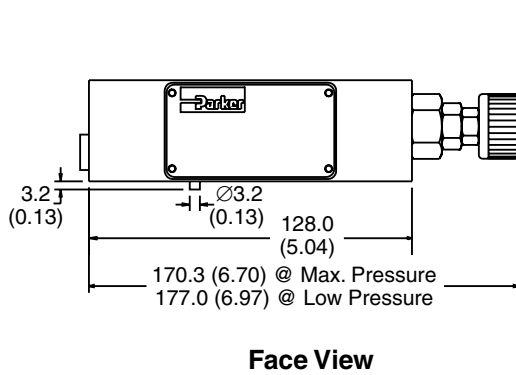
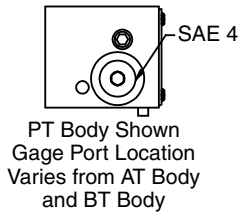
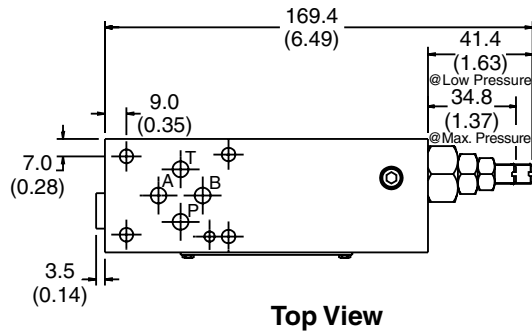
B



VISCOSITY CORRECTION FACTOR							
Viscosity (SSU)	75	150	200	250	300	350	400
% of ΔP (Approx.)	93	111	119	126	132	137	141
Curves were generated using 100 SSU hydraulic oil. For any other viscosity, pressure drop will change per chart.							

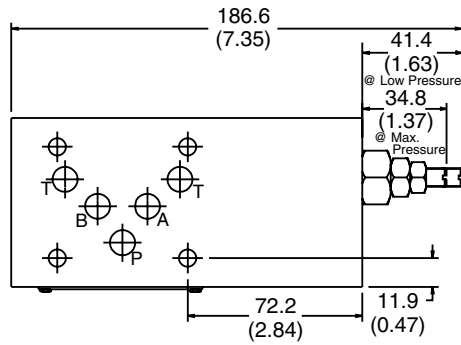
Inch equivalents for millimeter dimensions are shown in (**)

B

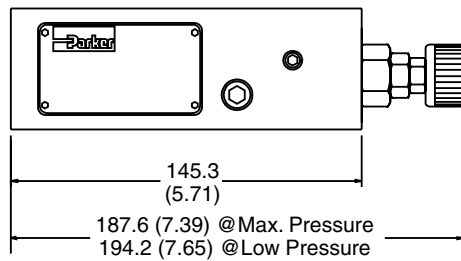
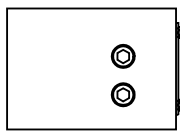


Inch equivalents for millimeter dimensions are shown in (**)

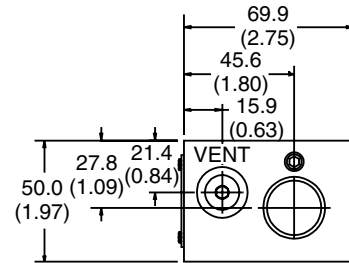
B



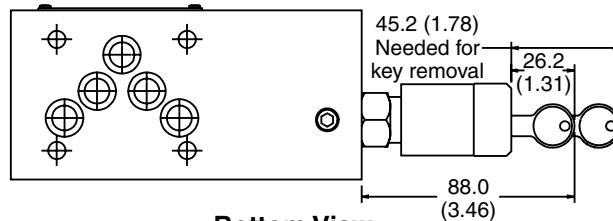
Top View



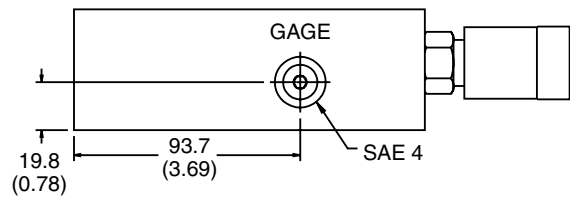
Face View



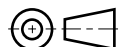
End View



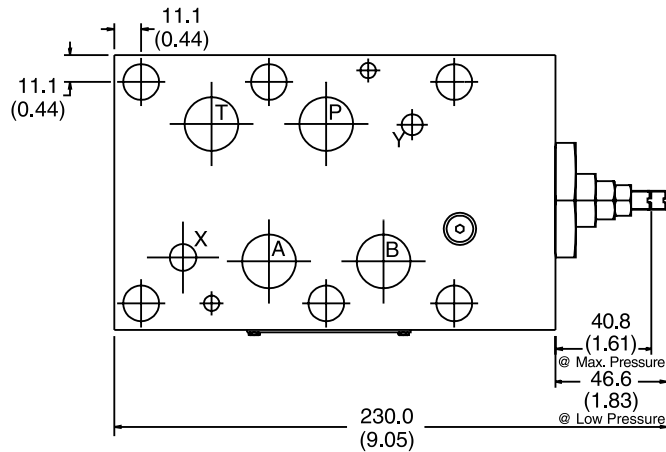
Bottom View



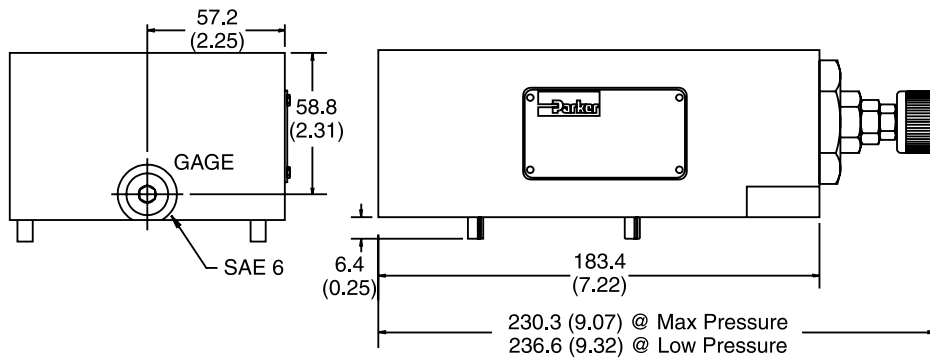
Back View



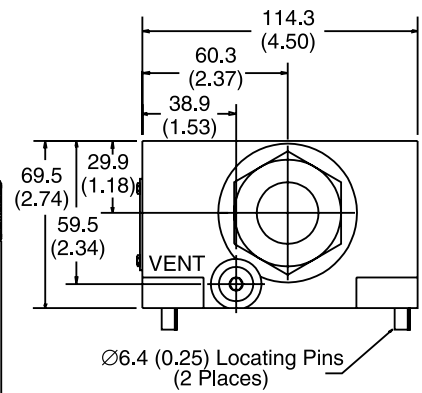
Inch equivalents for millimeter dimensions are shown in (**)



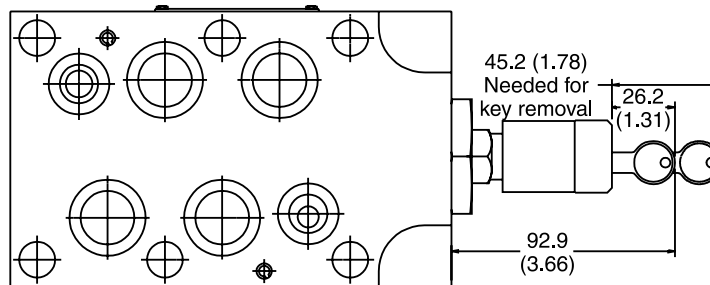
Top View



Face View

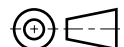


End View



Bottom View

B

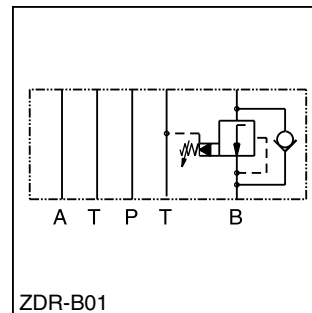


General Description

Series ZDR pilot operated pressure reducing valves are designed for maximum flow rates.

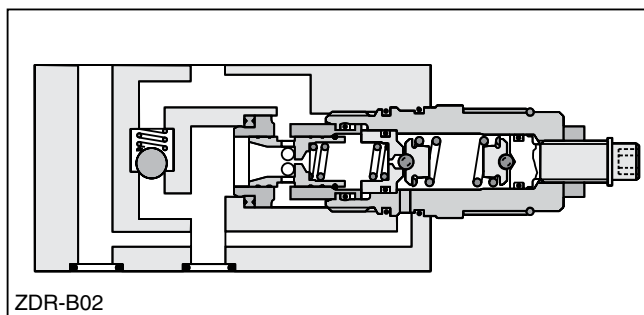
The reducing function can be located in the ports P, A or B. The sizes NG06 and NG10 are equipped with an integral return flow check valve (reducing function in A or B).

B



Features

- High flow capacity.
- Sizes::
 - ZDR01 – NFPA D03 / NG6 / CETOP 3
 - ZDR02 – NFPA D05 / NG10 / CETOP 5
- With integral return flow check valve.



Specifications

General		
Size	NG6	NG10
Mounting Interface	DIN 24340 A6 ISO 4401 NFPA D03 CETOP RP 121	DIN 24340 A10 ISO 4401 NFPA D05 CETOP RP 121
Mounting Position	Unrestricted	
Ambient Temperature Range	-20°C to +50°C (-4°F to +122°F)	
Hydraulic		
Maximum Operating Pressure	up to 350 Bar (5075 PSI); ZDR-AR / BR up to 315 Bar (4568 PSI)	
Nominal Flow	80 LPM (21.2 GPM)	120 LPM (31.7 GPM)
Pilot Oil	0.2 LPM (0.1 GPM)	0.3 LPM (0.1 GPM)
Fluid	Hydraulic oil as per DIN 51524 ... 51525	
Fluid Temperature	-20°C to +80°C (-4°F to +176°F)	
Viscosity	Permitted	10 to 650 cSt / mm ² /s (46 to 3013 SSU)
	Recommended	30 cSt / mm ² /s (139 SSU)
Filtration	ISO Class 4406 (1999) 18/16/13 (acc. NAS 1638: 7)	

Ordering Information

ZDR Pressure Reducing Valve	Port Option	Size	Pressure Range	S0 Hexagon Screw with Lock Nut	D Design Series	Seal
---------------------------------------	--------------------	-------------	-----------------------	--	---------------------------	-------------

Code	Description
01	NFPA D03 / NG6
02	NFPA D05 / NG10

Code	Description
1	up to 100 Bar (1450 PSI)
5*	up to 350 Bar (5075 PSI)

* AR/BR 325 Bar (4568 PSI)

Code	Description
1	Nitrile
5	Fluorocarbon

Code	Size	Description
P	01/02	Pressure reducing in P with pressure gauge port M
AR	01/02	Pressure reducing in A with check valve
BR	01/02	Pressure reducing in B with check valve

Weight:	ZDR-P	ZDR-AR/BR
ZDR*01	1.6 kg (3.5 lbs.)	1.8 kg (4.0 lbs.)
ZDR*02	2.9 kg (6.4 lbs.)	3.0 kg (6.6 lbs.)



ZDR01

Pressure reducing in P with pressure gauge port M

Series
 ZDRP011S0D1
 ZDRP015S0D1

Pressure reducing in A with check valve

Series
 ZDRAR011S0-D1
 ZDRAR015S0-D1

Pressure reducing in B with check valve

Series
 ZDRBR011S0D1
 ZDRBR015S0D1

1 = 7 ... 140 Bar (102 ... 1450 PSI)
 5 = 7 ... 315 Bar (102 ... 4568 PSI)

ZDR02

Pressure reducing at P with pressure gauge port M

Series
 ZDRP021S0D1
 ZDRP025S0D1

Pressure reducing at A (with check valve)

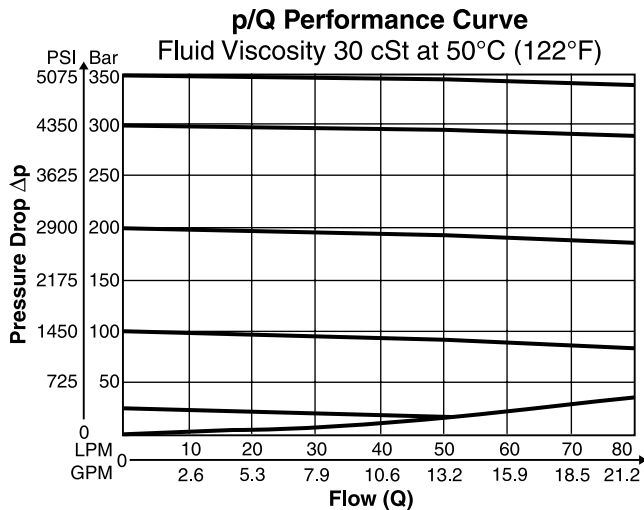
Series
 ZDRAR021S0D1
 ZDRAR025S0D1

Pressure reducing at B (with check valve)

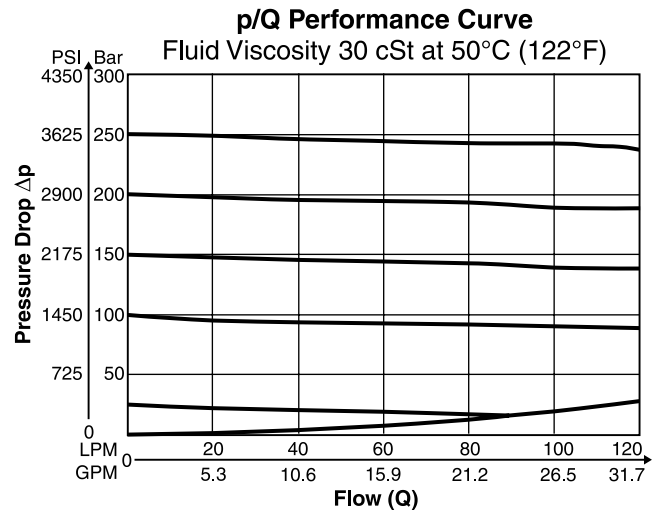
Series
 ZDRBR021S0D1
 ZDRBR025S0D1

Performance Curves

ZDR-P/AR/BR01



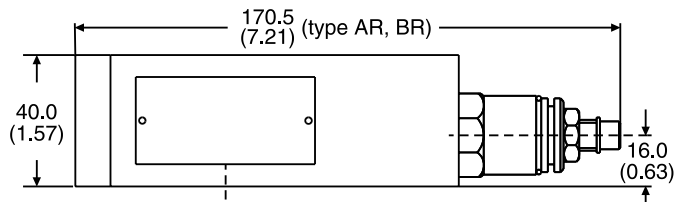
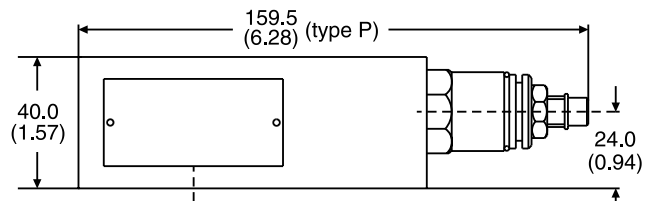
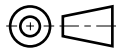
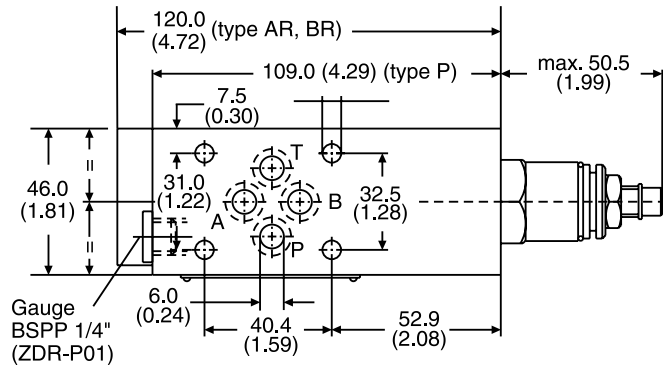
ZDR-P/AR/BR02



Denison Sandwich.indd, dd

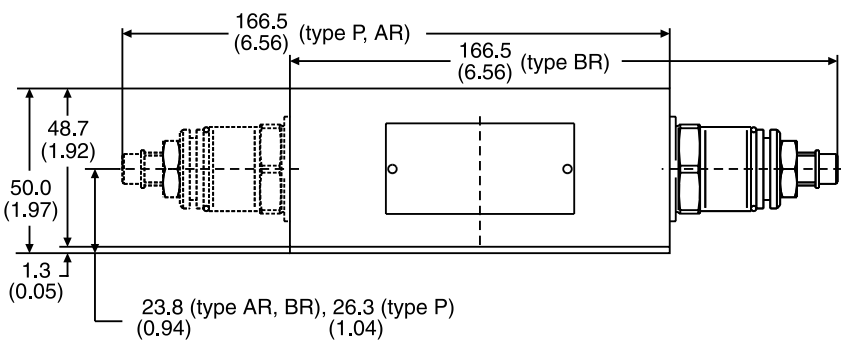
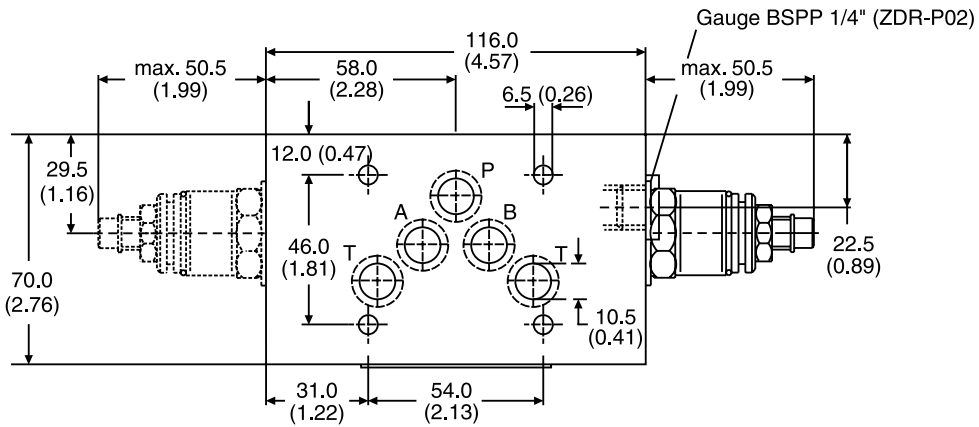


ZDR01 – Inch equivalents for millimeter dimensions are shown in (**)



Seal Kit	
Seal	Order Code
1	098-91184-0
5	098-91185-0
Complete Cartridge	
Seal	Order Code
1	098-91102-0
5	098-91103-0

ZDR02 – Inch equivalents for millimeter dimensions are shown in (**)



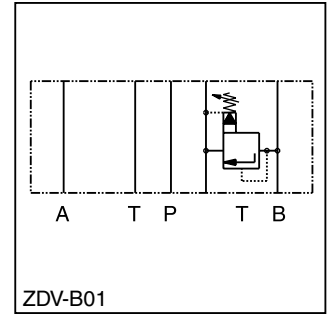
Seal Kit	
Seal	Order Code
1	098-91182-0
5	098-91183-0
Complete Cartridge	
Seal	Order Code
1	098-91102-0
5	098-91103-0

General Description

Series ZDV pilot operated pressure relief valves are designed for maximum flow rates.

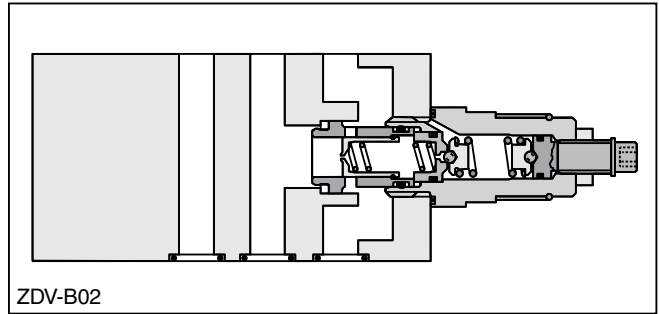
The relief function can be located between P and T, A and T, B and T or A and T + B and T for typical pressure relief functions.

For a pre-charge function the ZDV can be ordered with pressure function between A and B + B and A.



Features

- High flow capacity.
- Pressure function in P, A, B or A + B.
- Sizes:
 - ZDV01 – NFPA D03 / NG6 / CETOP 3
 - ZDV02 – NFPA D05 / NG10 / CETOP 5



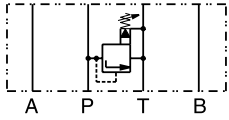
Ordering Information

ZDV	<input type="checkbox"/>	<input type="checkbox"/>	<input type="checkbox"/>	S0	D	<input type="checkbox"/>																										
Pressure Relief Valve	Port Option	Size	Pressure Range	Hexagon Screw with Lock Nut	Design Series	Seal																										
		<table border="1" style="width: 100%; border-collapse: collapse;"> <thead> <tr> <th>Code</th> <th>Description</th> </tr> </thead> <tbody> <tr> <td>01</td> <td>NFPA D03 / NG6</td> </tr> <tr> <td>02</td> <td>NFPA D05 / NG10</td> </tr> </tbody> </table>	Code	Description	01	NFPA D03 / NG6	02	NFPA D05 / NG10	<table border="1" style="width: 100%; border-collapse: collapse;"> <thead> <tr> <th>Code</th> <th>Description</th> </tr> </thead> <tbody> <tr> <td>1</td> <td>up to 70 Bar (1015 PSI)</td> </tr> <tr> <td>5*</td> <td>up to 350 Bar (5075 PSI)</td> </tr> </tbody> </table> <p>* ABS 315 Bar (4568 PSI)</p>	Code	Description	1	up to 70 Bar (1015 PSI)	5*	up to 350 Bar (5075 PSI)			<table border="1" style="width: 100%; border-collapse: collapse;"> <thead> <tr> <th>Code</th> <th>Description</th> </tr> </thead> <tbody> <tr> <td>1</td> <td>Nitrile</td> </tr> <tr> <td>5</td> <td>Fluorocarbon</td> </tr> </tbody> </table>	Code	Description	1	Nitrile	5	Fluorocarbon								
Code	Description																															
01	NFPA D03 / NG6																															
02	NFPA D05 / NG10																															
Code	Description																															
1	up to 70 Bar (1015 PSI)																															
5*	up to 350 Bar (5075 PSI)																															
Code	Description																															
1	Nitrile																															
5	Fluorocarbon																															
	<table border="1" style="width: 100%; border-collapse: collapse;"> <thead> <tr> <th>Code</th> <th>Size</th> <th>Description</th> </tr> </thead> <tbody> <tr> <td>P</td> <td>01/02</td> <td>P – T</td> </tr> <tr> <td>A</td> <td>01/02</td> <td>A – T</td> </tr> <tr> <td>B</td> <td>01/02</td> <td>B – T</td> </tr> <tr> <td>AB</td> <td>01/02</td> <td>A – T & B – T</td> </tr> <tr> <td>ABS</td> <td>01/02</td> <td>A – B & B – A</td> </tr> </tbody> </table>	Code	Size	Description	P	01/02	P – T	A	01/02	A – T	B	01/02	B – T	AB	01/02	A – T & B – T	ABS	01/02	A – B & B – A				<table style="width: 100%;"> <tr> <td style="width: 30%;">Weight:</td> <td style="width: 30%;">One Cartridge</td> <td style="width: 30%;">Two Cartridges</td> </tr> <tr> <td>ZDV*01</td> <td>1.6 kg (3.5 lbs.)</td> <td>2.5 kg (5.5 lbs.)</td> </tr> <tr> <td>ZDV*02</td> <td>3.0 kg (6.6 lbs.)</td> <td>3.7 kg (8.2 lbs.)</td> </tr> </table>	Weight:	One Cartridge	Two Cartridges	ZDV*01	1.6 kg (3.5 lbs.)	2.5 kg (5.5 lbs.)	ZDV*02	3.0 kg (6.6 lbs.)	3.7 kg (8.2 lbs.)
Code	Size	Description																														
P	01/02	P – T																														
A	01/02	A – T																														
B	01/02	B – T																														
AB	01/02	A – T & B – T																														
ABS	01/02	A – B & B – A																														
Weight:	One Cartridge	Two Cartridges																														
ZDV*01	1.6 kg (3.5 lbs.)	2.5 kg (5.5 lbs.)																														
ZDV*02	3.0 kg (6.6 lbs.)	3.7 kg (8.2 lbs.)																														

Ordering Information

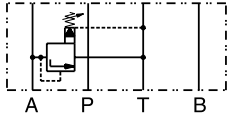
ZDV01

Pressure control P-T



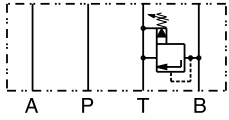
Series
 ZDVP011S0D1
 ZDVP015S0D1

Pressure control A-T



Series
 ZDVA011S0D1
 ZDVA015S0D1

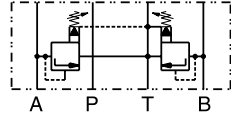
Pressure control B-T



Series
 ZDVB011S0D1
 ZDVB015S0D1

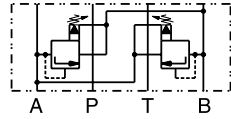
1 = 7 ... 70 Bar (102 ... 1015 PSI)
 5 = 7 ... 350 Bar (102 ... 5075 PSI)

Pressure control A-T & B-T



Series
 ZDVAB011S0D1
 ZDVAB015S0D1

Pressure control A-B & B-A

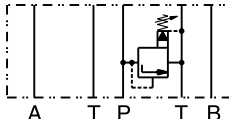


Series
 ZDVABS011S0D1
 ZDVABS015S0D1

1 = 7 ... 70 Bar (102 ... 1015 PSI)
 5 = 7 ... 315 Bar (102 ... 4568 PSI)

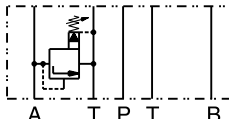
ZDV02

Pressure control P-T



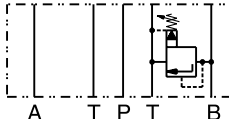
Series
 ZDVP021S0D1
 ZDVP025S0D1

Pressure control A-T



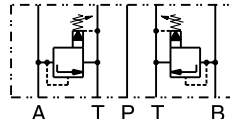
Series
 ZDVA021S0D1
 ZDVA025S0D1

Pressure control B-T



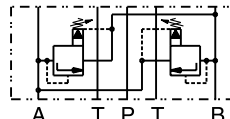
Series
 ZDVB021S0D1
 ZDVB025S0D1

Pressure control A-T & B-T



Series
 ZDVAB021S0D1
 ZDVAB025S0D1

Pressure control A-B & B-A



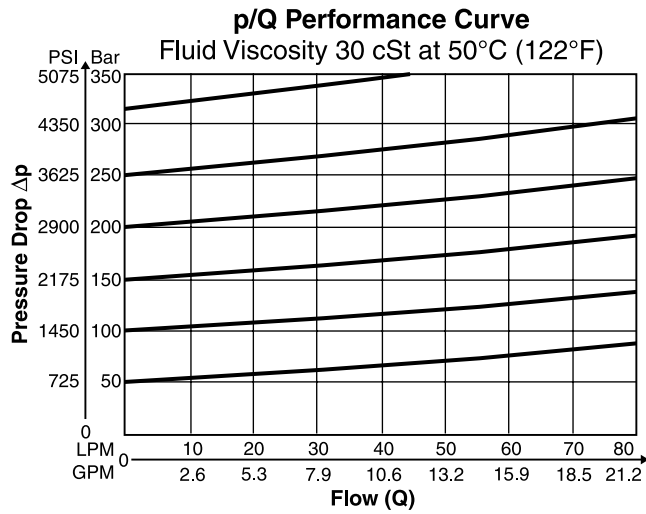
Series
 ZDVABS021S0D1
 ZDVABS025S0D1

Specifications

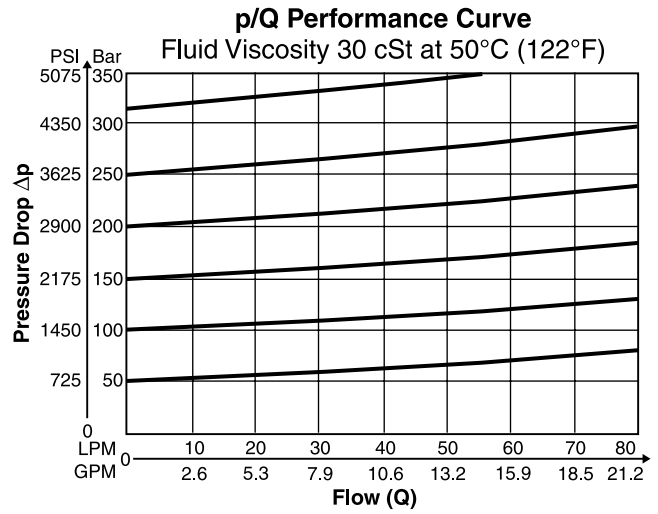
General		NG6	NG10
Size			
Mounting		DIN 24340 A6 ISO 4401 NFPA D03 CETOP RP 121	DIN 24340 A10 ISO 4401 NFPA D05 CETOP RP 121
Mounting Position		Unrestricted	
Ambient Temperature Range		-20° to +50°C (-4°F to +122°F)	
Hydraulic			
Maximum Operating Pressure		up to 350 Bar (5075 PSI); ZDV*ABS up to 315 Bar (4568 PSI)	
Nominal Flow		80 LPM (21.2 GPM)	140 LPM (37.0 GPM)
Fluid		Hydraulic oil as per DIN 51524 ... 51525	
Fluid Temperature		-20° to +80°C (-4°F to +176°F)	
Viscosity	Permitted Recommended	10 to 650 cSt / mm ² /s (46 to 3013 SSU) 30 cSt / mm ² /s (139 SSU)	
Filtration		ISO Class 4406 (1999) 18/16/13 (acc. NAS 1638: 7)	

Denison Sandwich.indd, dd

ZDV-P/A/B/ABS01

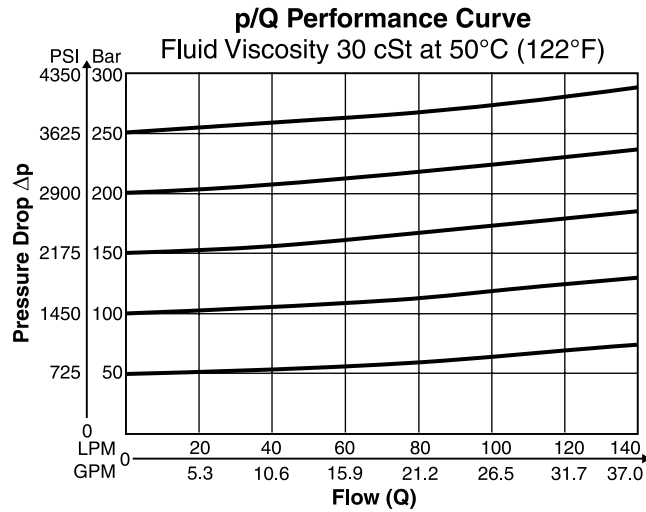


ZDV-AB01

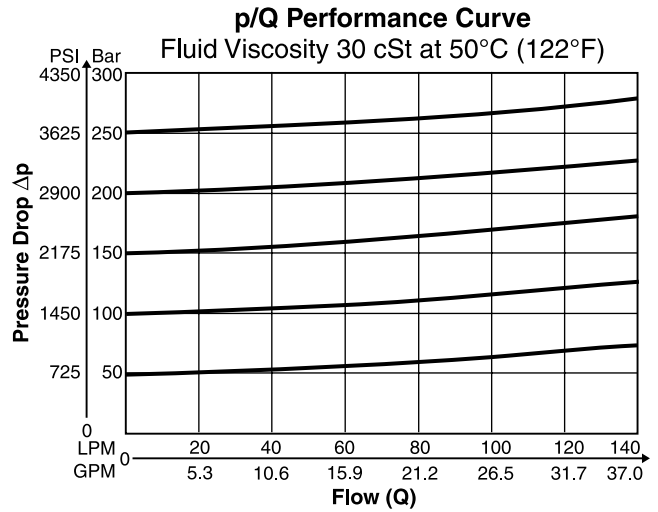


B

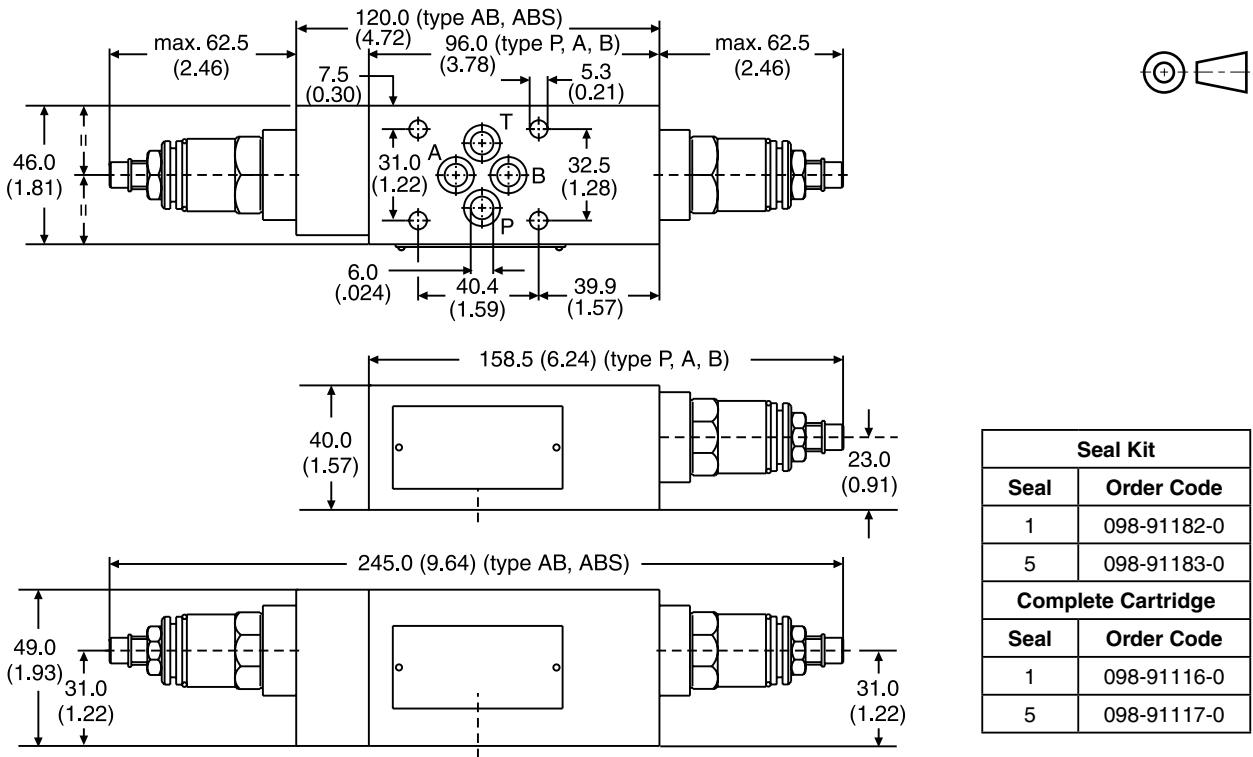
ZDV-P/A/B/AB02



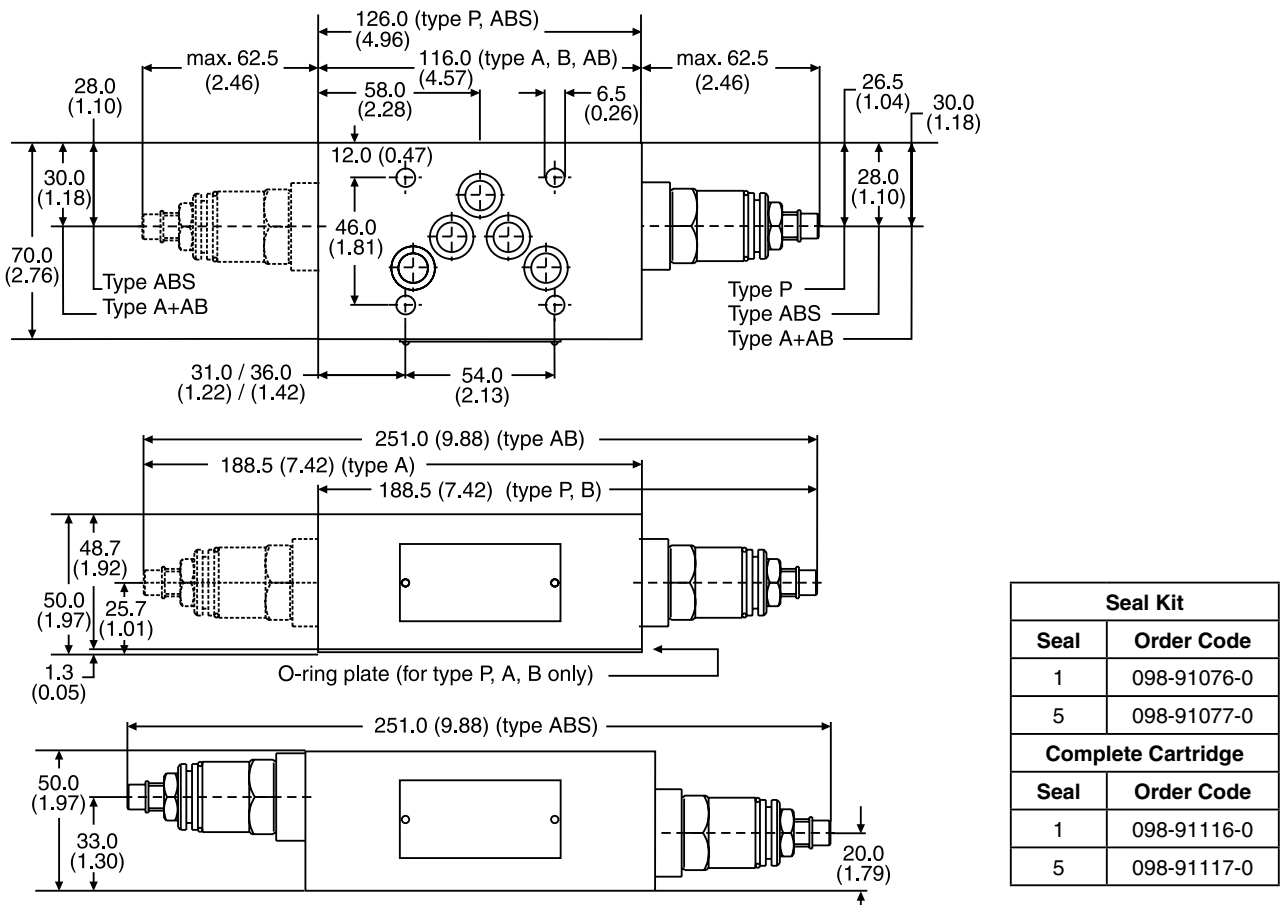
ZDV-ASB02



ZDV01 – Inch equivalents for millimeter dimensions are shown in (**)



ZDV02 – Inch equivalents for millimeter dimensions are shown in (**)



General Description

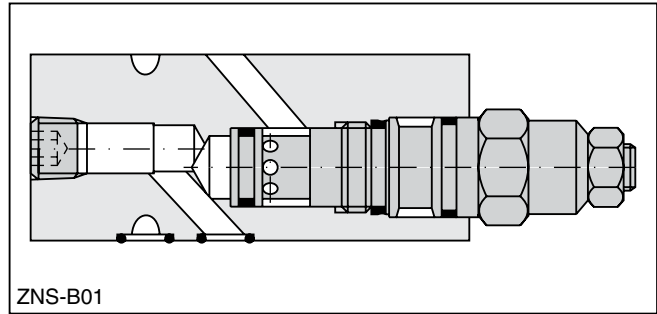
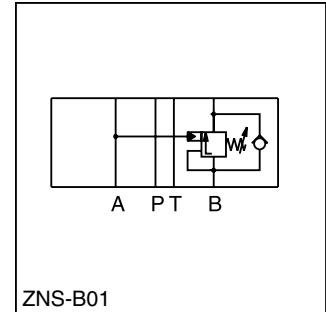
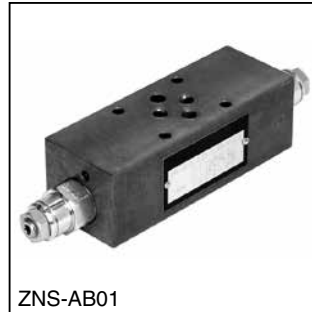
Series ZNS counterbalance valve controls the actuator movement at overrunning loads.

The return flow from the actuator is piloted and controlled by the inlet flow to the actuator, ensuring a cavitation-free lowering of the load.

The counterbalance valve operates as a pressure relief valve. The setting pressure is lowered by the pressure in the inlet line. To ensure safe load holding the setting pressure should be approximately 30% higher than the max. load pressure.

Features

- Controlled movement loads.
- Load holding via leak-free poppet valve.
- Secondary relief protection for the actuator.
- Sizes:
 ZNS*01 – NFPA D03 / NG6 / CETOP 3
 ZNS*02 – NFPA D05 / NG10 / CETOP 5



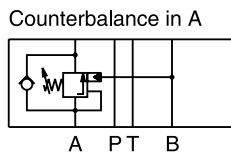
B

Ordering Information

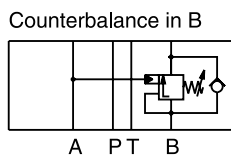
ZNS Counterbalance Valve	<input type="checkbox"/> Port Option	<input type="checkbox"/> Size	<input type="checkbox"/> Pressure Range	S0 Hexagon Screw with Lock Nut	D Design Series	<input type="checkbox"/> Seal																										
<table border="1"> <thead> <tr><th>Code</th><th>Description</th></tr> </thead> <tbody> <tr><td>A</td><td>in A</td></tr> <tr><td>B</td><td>in B</td></tr> <tr><td>AB</td><td>in A and B</td></tr> </tbody> </table>	Code	Description	A	in A	B	in B	AB	in A and B		<table border="1"> <thead> <tr><th>Code</th><th>Description</th></tr> </thead> <tbody> <tr><td>01</td><td>NFPA D03 / NG6</td></tr> <tr><td>02</td><td>NFPA D05 / NG10</td></tr> </tbody> </table>	Code	Description	01	NFPA D03 / NG6	02	NFPA D05 / NG10	<table border="1"> <thead> <tr><th>Code</th><th>Description</th></tr> </thead> <tbody> <tr><td>2</td><td>70 to 175 Bar (1015 to 2538 PSI)</td></tr> <tr><td>5¹⁾</td><td>140 to 350 Bar (2030 to 5075 PSI)</td></tr> </tbody> </table> <p>¹⁾ ZNS02 to 315 Bar (4568 PSI)</p>	Code	Description	2	70 to 175 Bar (1015 to 2538 PSI)	5 ¹⁾	140 to 350 Bar (2030 to 5075 PSI)			<table border="1"> <thead> <tr><th>Code</th><th>Description</th></tr> </thead> <tbody> <tr><td>1</td><td>Nitrile</td></tr> <tr><td>5</td><td>Fluorocarbon</td></tr> </tbody> </table>	Code	Description	1	Nitrile	5	Fluorocarbon
Code	Description																															
A	in A																															
B	in B																															
AB	in A and B																															
Code	Description																															
01	NFPA D03 / NG6																															
02	NFPA D05 / NG10																															
Code	Description																															
2	70 to 175 Bar (1015 to 2538 PSI)																															
5 ¹⁾	140 to 350 Bar (2030 to 5075 PSI)																															
Code	Description																															
1	Nitrile																															
5	Fluorocarbon																															

Weight:	1 cartridge	2 cartridges
ZNS*01	1.3 kg (2.9 lbs.)	3.0 kg (6.6 lbs.)
ZNS*02	1.6 kg (3.5 lbs.)	3.9 kg (8.6 lbs.)

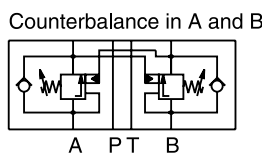
ZNS01



Series
 ZNSA012S0D1
 ZNSA015S0D1



Series
 ZNSB011S0D1
 ZNSB015S0D1



Series
 ZNSAB011S0D1
 ZNSAB015S0D1

2 = 70 ... 175 Bar (1015 ... 2538 PSI)
 5 = 140 ... 350 Bar (2030 ... 5075 PSI)

ZNS02

Series
 ZNSA022S0D1
 ZNSA025S0D1

Series
 ZNSB021S0D1
 ZNSB025S0D1

Series
 ZNSAB021S0D1
 ZNSAB025S0D1

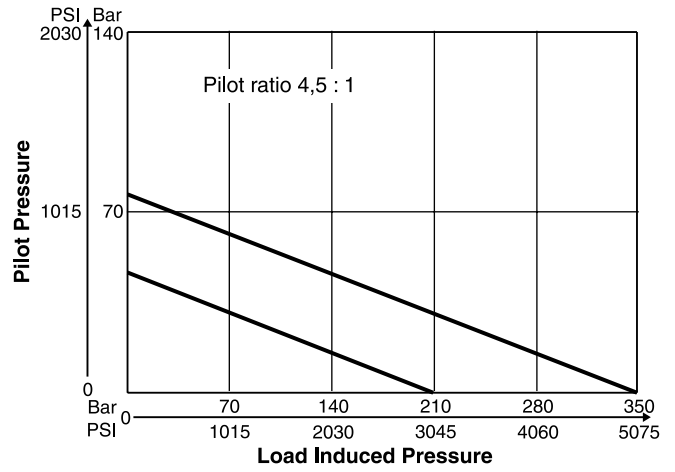
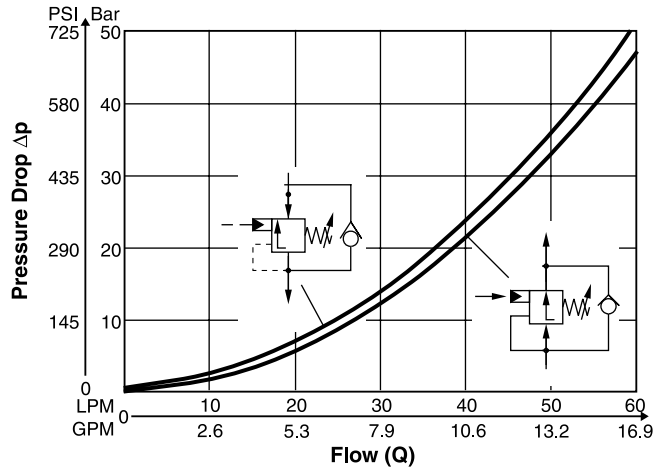
2 = 70 ... 175 Bar (1015 ... 2538 PSI)
 5 = 140 ... 315 Bar (2030 ... 4568 PSI)

Specifications

General		
Size	NG6	NG10
Mounting Interface	DIN 24340 A6 ISO 4401 NFPA D03	DIN 24340 A10 ISO 4401 NFPA D05
Mounting Position	Unrestricted	
Ambient Temperature Range	-20°C to +50°C (-4°F to +122°F)	
Hydraulic		
Maximum Operating Pressure	350 Bar (5075 PSI)	315 Bar (4568 PSI)
Pressure Range	175 Bar (2538 PSI), 350 Bar (5075 PSI)	
Pilot Ratio	4.5 : 1	
Leakage	On request	
Nominal Flow	60 LPM (15.9 GPM)	120 LPM (31.7 GPM)
Opening Pressure	0.3 LPM (0.1 GPM)	0.3 LPM (0.1 GPM)
Fluid	Hydraulic oil as per DIN 51524 ... 51525	
Fluid Temperature	-20°C to +80°C (-4°F to +176°F)	
Viscosity	Permitted	10 to 650 cSt / mm ² /s (46 to 3013 SSU)
	Recommended	30 cSt / mm ² /s (139 SSU)
Filtration	ISO Class 4406 (1999) 18/16/13 (acc. NAS 1638: 7)	

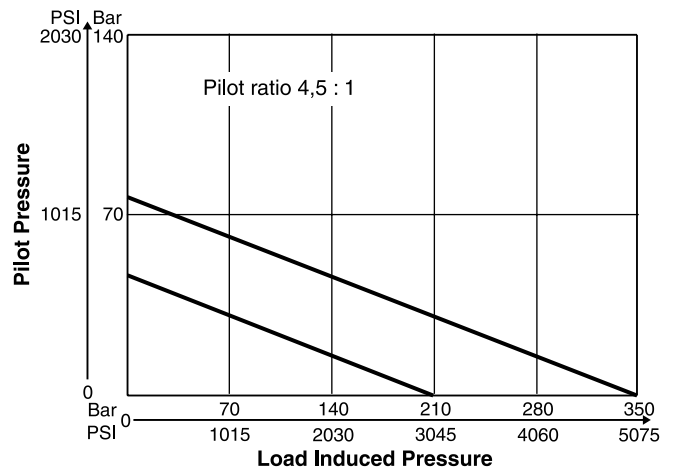
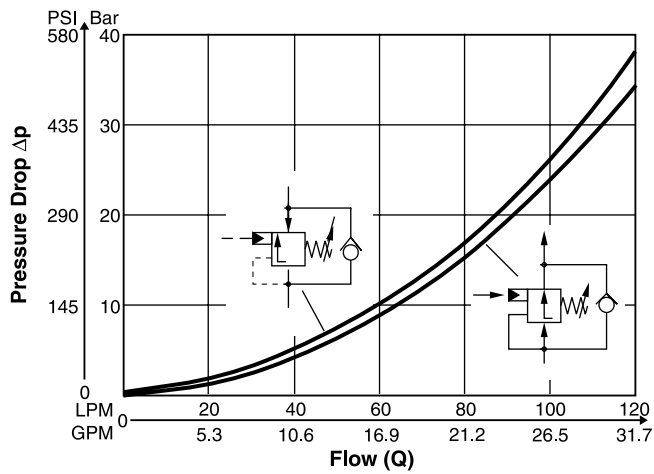
B

ZNS01



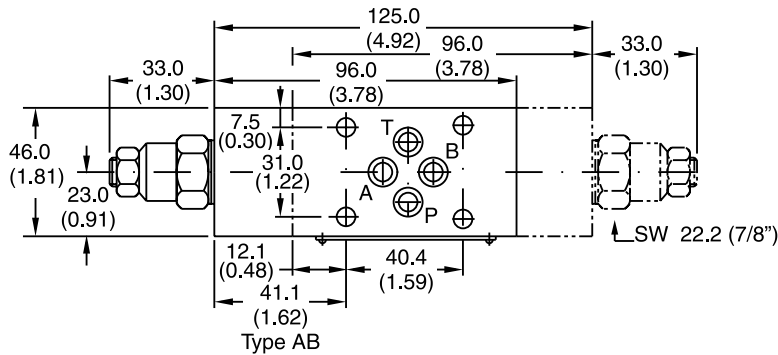
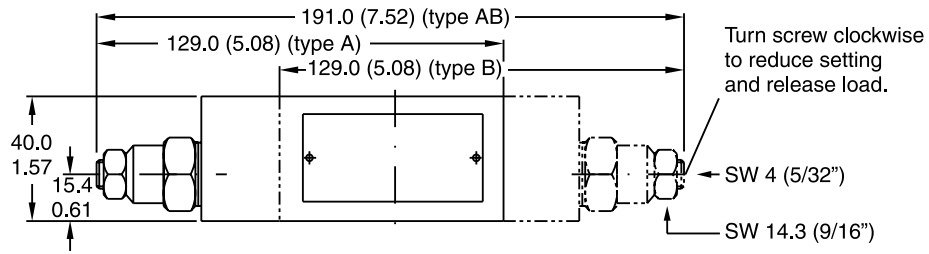
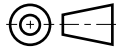
B

ZNS02



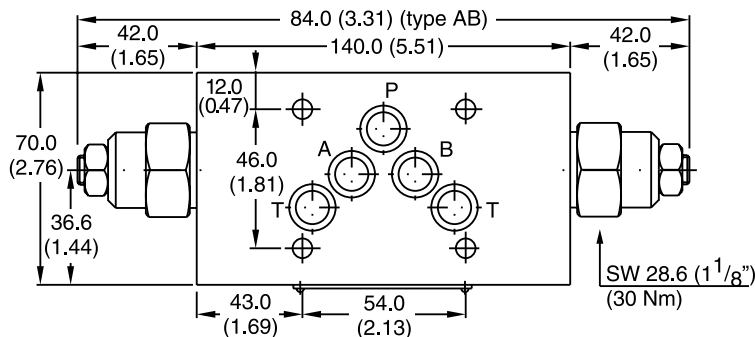
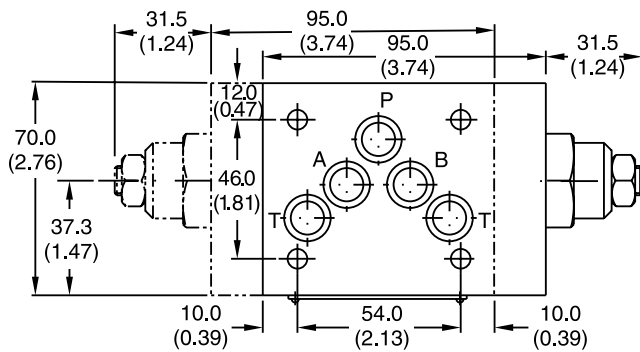
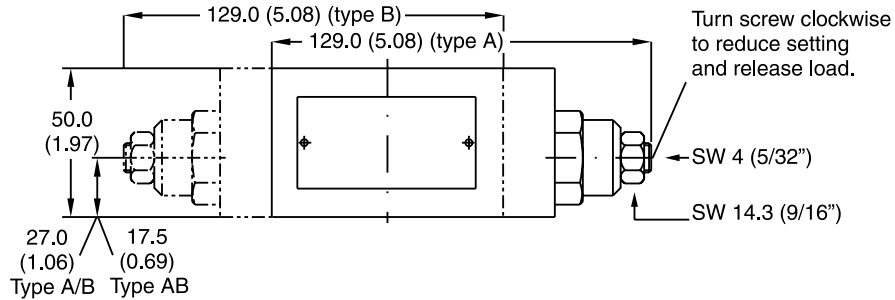
All characteristic curves measured with HLP46 at 50°C (122°F).

ZNS01 – Inch equivalents for millimeter dimensions are shown in (**)



Seal Kit	
Seal	Order Code
1	098-91153-0
5	098-91154-0
Complete Cartridge	
Seal	Order Code
1	517-01017-2
5	517-00448-8

ZNS02 – Inch equivalents for millimeter dimensions are shown in (**)



Seal Kit	
Seal	Order Code
1	098-91155-0
5	098-91183-0
Complete Cartridge	
Seal	Order Code
1	517-00449-8
5	517-00450-8

General Description

Series ZRD throttle check valves are designed for maximum flow rates.

The throttle check function can be located in port A or B as well as in A + B. Meter-in or meter-out functionality can be selected by model code.

A low flow / high resolution version in NFPA 03 / NG6 for sensitive shifting time adjustment of pilot operated directional control valves is available on request.

Features

- High flow capacity.
- Various functional arrangements.
- Sizes:
 - ZRD01 – NFPA D03 / NG6 / CETOP 3
 - ZRD02 – NFPA D05 / NG10 / CETOP 5

Ordering Information

ZRD
 Throttle Valve with Check

□
 Meter Option

□
 Size

S0
 Hexagon Screw with Lock Nut

D
 Design Series

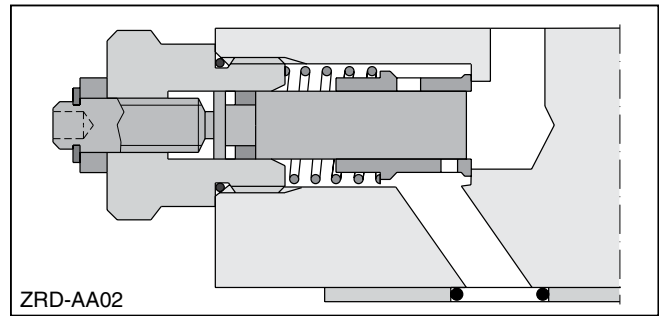
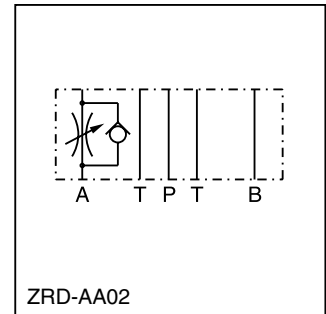
□
 Seal

Code	Description
AA	Meter-out Control in A
AZ	Meter-in Control in A
BA	Meter-out Control in B
BZ	Meter-in Control in B
ABA	Meter-out Control in A and B
ABZ	Meter-in Control in A and B

Code	Description
01	NFPA D03 / NG6
02	NFPA D05 / NG10

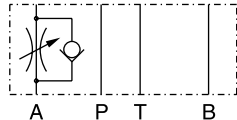
Code	Description
1	Nitrile
5	Fluorocarbon

Weight:	1 Cartridge	2 Cartridges
ZRD*01	1.2 kg (2.6 lbs)	1.3 kg (2.9 lbs)
ZRD*02	2.8 kg (6.2 lbs.)	2.9 kg (6.4 lbs.)



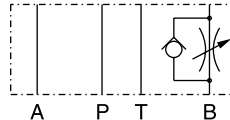
ZRD01

Meter-in control in A



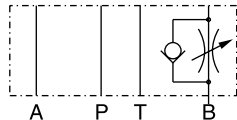
Series ZRDAZ01S0D1

Meter-out control in B



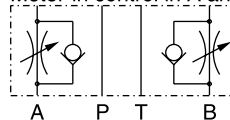
Series ZRDBA01S0D1

Meter-in control in B



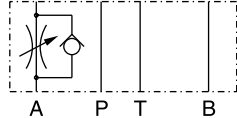
Series ZRDBZ01S0D1

Meter-in control in A and B



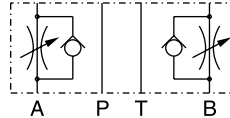
Series ZRDABZ01S0D1

Meter-out control in A



Series ZRDAA01S0D1

Meter-out control in A and B



Series ZRDABA01S0D1

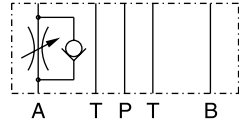
**ZRD02
 (continued on next page)**

Denison Sandwich.indd, dd

Ordering Information

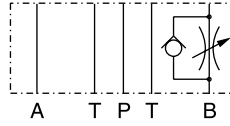
ZRD02

Meter-in control in A



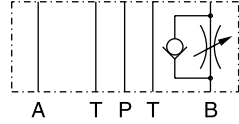
Series
 ZRDAZ02S0D1

Meter-out control in B



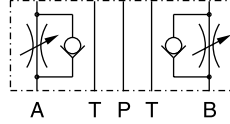
Series
 ZRDBA02S0D1

Meter-in control in B



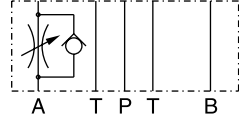
Series
 ZRDBZ02S0D1

Meter-in control in A and B



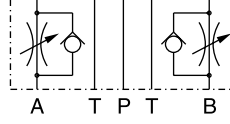
Series
 ZRDABZ02S0D1

Meter-out control in A



Series
 ZRDAA02S0D1

Meter-out control in A and B



Series
 ZRDABA02S0D1

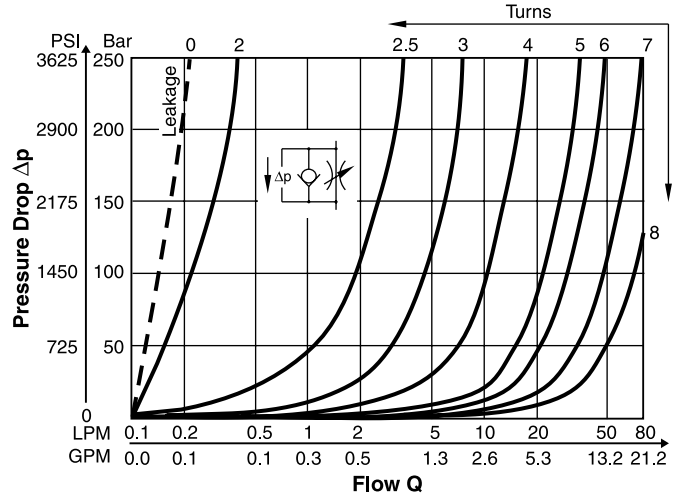
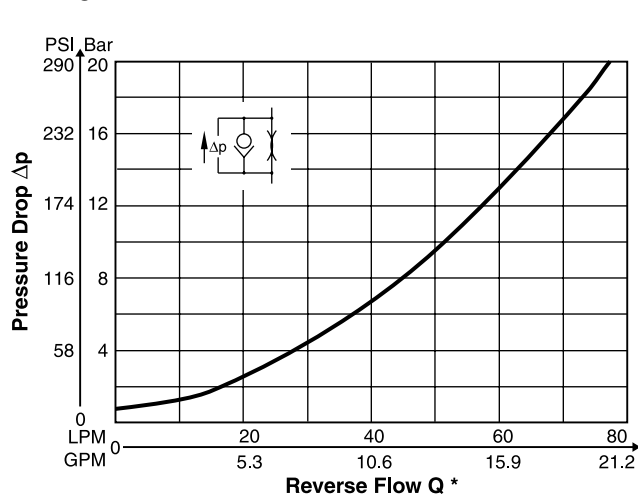
B

Specifications

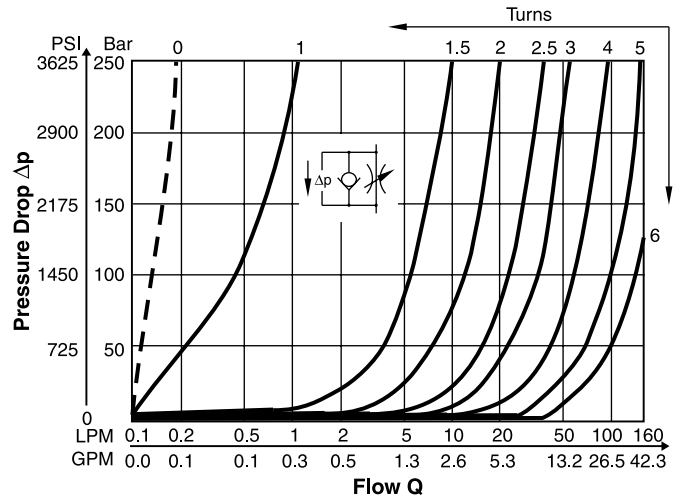
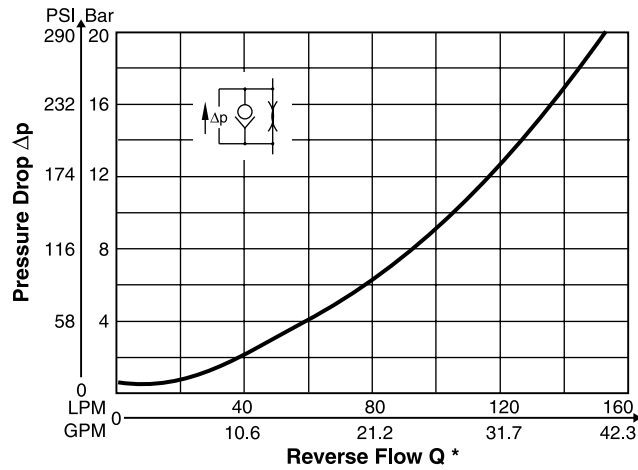
General		
Size	NG6	NG10
Mounting	DIN 24340 A6 ISO 4401 NFPA D03 CETOP RP 121	DIN 24340 A10 ISO 4401 NFPA D05 CETOP RP 121 5
Mounting Position	Unrestricted	
Ambient Temperature	-20°C to +50°C (-4°F to +122°F)	
Hydraulic		
Max. Operating Pressure	350 Bar (5075 PSI)	
Nominal Flow	80 LPM (21.2 GPM)	160 LPM (42.3 GPM)
Leakage	—	—
Cracking Pressure	—	—
Fluid	Hydraulic oil as per DIN 51524 ... 51525	
Fluid Temperature	-20°C to +80°C (-4°F to +176°F)	
Viscosity	10 to 650 cSt / mm ² /s (46 to 3013 SSU)	
Permitted Recommended	30 cSt / mm ² /s (139 SSU)	
Filtration	ISO 4406 (1999) 18/16/13 (acc. NAS 1638: 7)	

p/Q Performance Curves

ZRD01



ZRD02



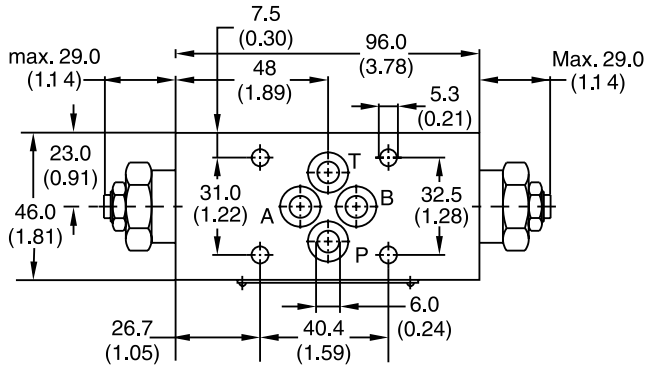
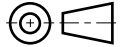
* Throttle closed

Fluid Viscosity 30 cSt @ 50°C (122°F)

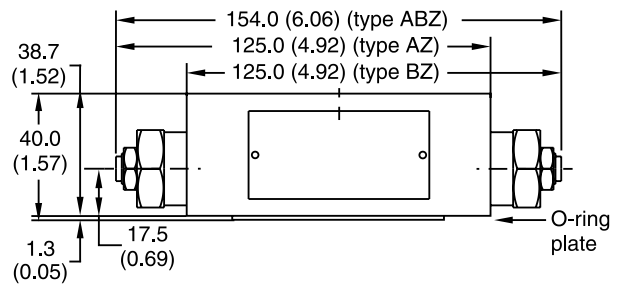
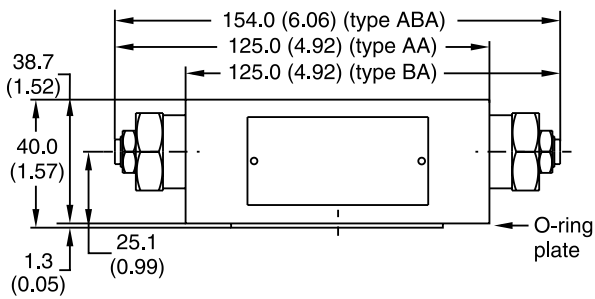
B

ZRD01

Inch equivalents for millimeter dimensions are shown in (**)

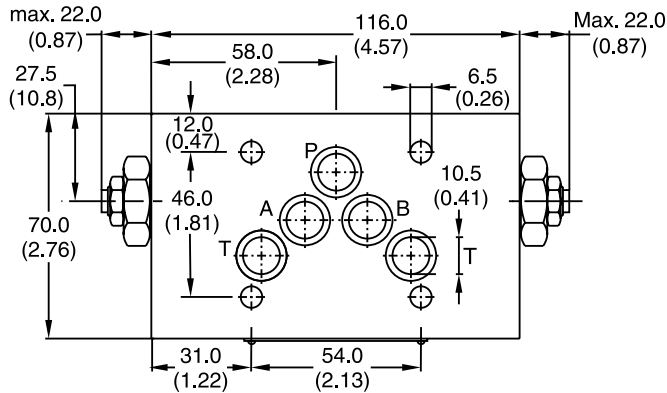


Seal Kit	
Seal	Order Code
1	098-91096-0
5	098-91097-0
Complete Cartridge	
Order Code	
098-91119-0	
O-ring Plate	
Order Code	
S26-27553-0	

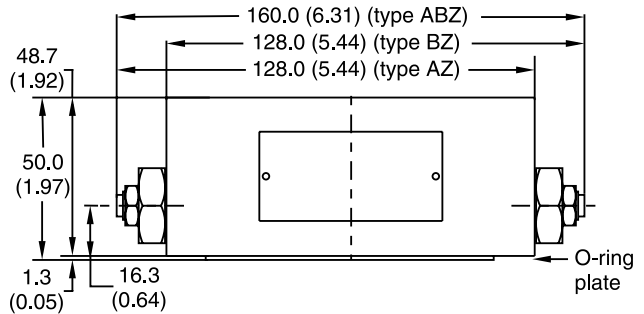
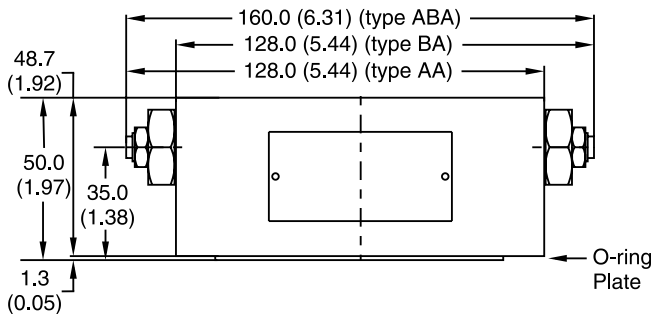


ZRD02

Inch equivalents for millimeter dimensions are shown in (**)



Seal Kit	
Seal	Order Code
1	098-91098-0
5	098-91099-0
Complete Cartridge	
Order Code	
098-91120-0	
O-ring Plate	
Order Code	
S16-85742-0	

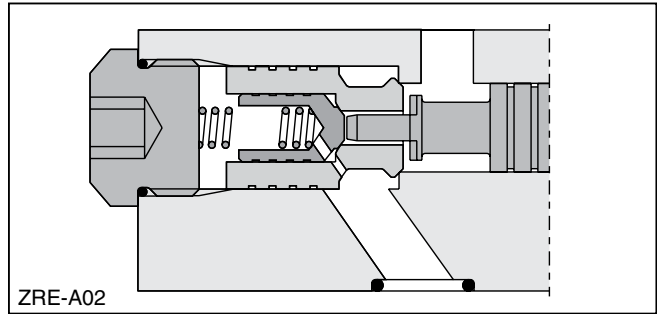
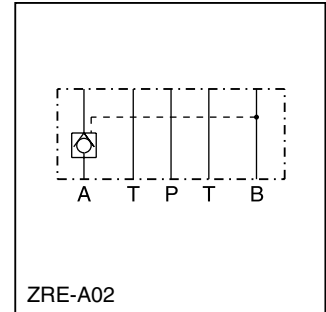


General Description.

Series ZRE pilot operated check valves are designed for maximum flow rates and long life time.

The valves are typically used in combination with spool type directional control valves to ensure leak free positioning of the actuator.

The inlet flow is free while the outlet flow is blocked. Pressure in the inlet line opens the check valve and allows free outlet flow.



Features

- High life time.
- Check function in A, B or A + B.
- Sizes:
 - ZRE01 – NFPA D03 / NG6 / CETOP 3
 - ZRE02 – NFPA D05 / NG10 / CETOP 5

Ordering Information

ZRE
 Pilot Operated
 Check Valve

Port
 Option

Size

Design
 Series

Seal

Code	Description
A	Blocked in A
B	Blocked in B
AB	Blocked in A and B

Code	Description
01	NFPA D03 / NG6
02	NFPA D05 / NG10

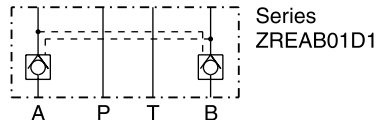
Code	Description
D	Size 01
E	Size 02

Code	Description
1	Nitrile
5	Fluorocarbon

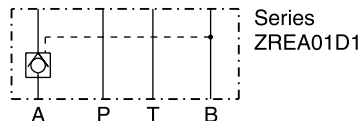
Weight:
 ZRE*01 1.2 kg (2.6 lbs)
 ZRE*02 3.1 kg (6.8 lbs.)

ZRE01

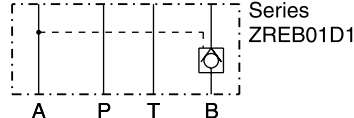
blocked in A and B



blocked in A

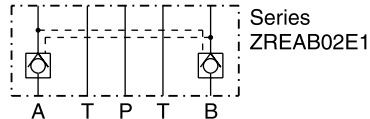


blocked in B

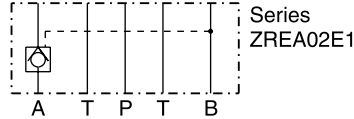


ZRE02

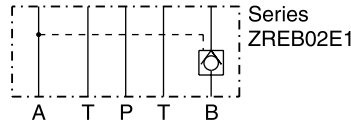
blocked in A and B



blocked in A



blocked in B



Denison Sandwich.indd, dd

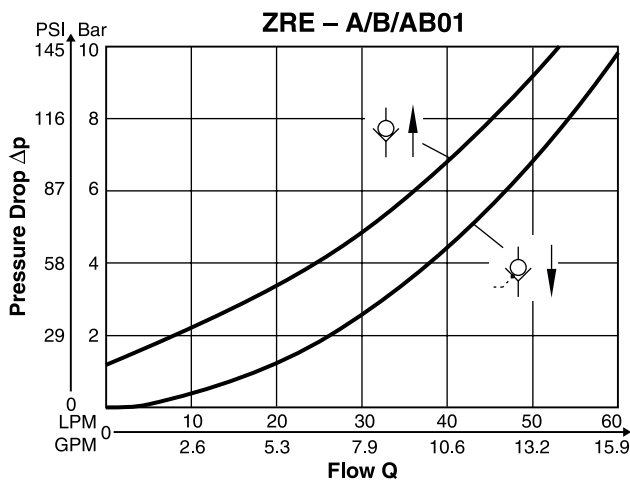
Specifications

General		
Size	NG6	NG10
Mounting Interface	DIN 24340 A6 ISO 4401 NFPA D03 CETOP RP 121	DIN 24340 A10 ISO 4401 NFPA D05 CETOP RP 121 5
Mounting Position	Unrestricted	
Ambient Temperature	-20°C to +50°C (-4°F to +122°F)	
Hydraulic		
Max. Operating Pressure	350 Bar (5075 PSI)	
Nominal Flow	60 LPM (15.9 GPM)	120 LPM (31.7 GPM)
Opening Ratio (Pilot Cone/Main Cone)	1:6	1:6
Cracking Pressure	1.2 Bar (17.4 PSI)	2.0 Bar (29.0 PSI)
Fluid	Hydraulic oil in accordance with DIN 51524 ... 51525	
Fluid Temperature	-20°C to +80°C (-4°F to +176°F)	
Viscosity	10 to 650 cSt / mm ² /s (46 to 3013 SSU)	
Permitted	30 cSt / mm ² /s (139 SSU)	
Recommended		
Filtration	ISO 4406 (1999) 18/16/13 (acc. NAS 1638: 7)	

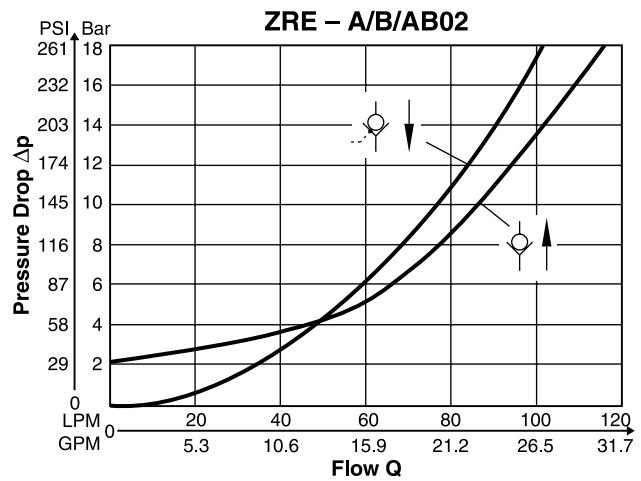
Performance Curves

p/Q

ZRE01



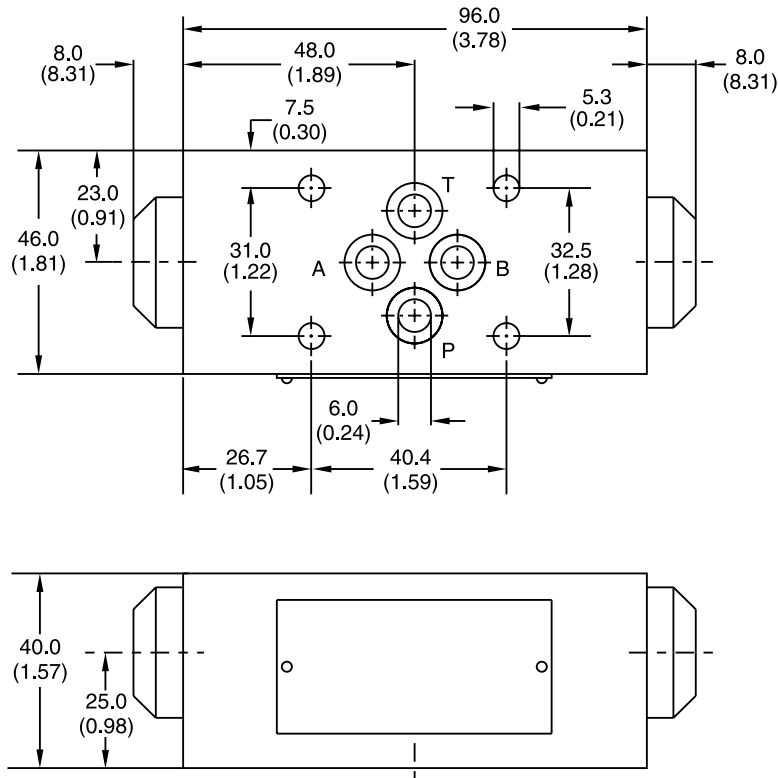
ZRE02



Fluid Viscosity 30 cSt at 50°C (122°F).

ZRE01

Inch equivalents for millimeter dimensions are shown in (**)

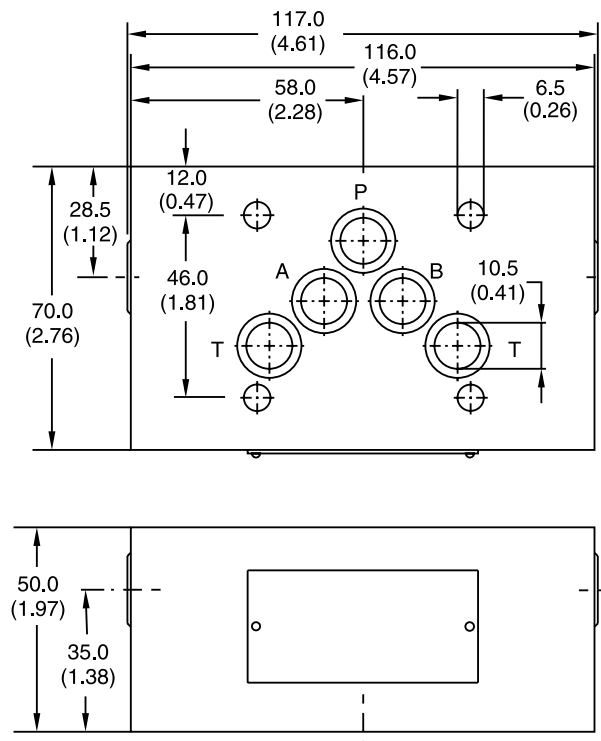


Seal Kit	
Seal	Order Code
1	098-91088-0
5	098-91089-0

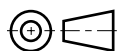
B

ZRE02

Inch equivalents for millimeter dimensions are shown in (**)



Seal Kit	
Seal	Order Code
1	098-91090-0
5	098-91091-0



General Description

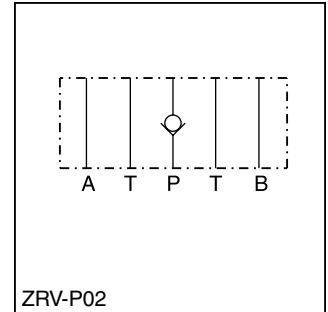
Series ZRV direct operated check valves have a cartridge type insert to provide zero leakage and high life time.

The check function can be located in the P-port or in the T-port.

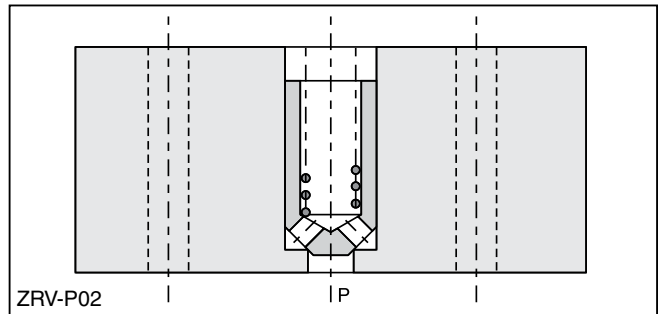
B



ZRV-P02



ZRV-P02

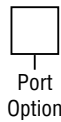
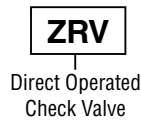


ZRV-P02

Features

- Leakage-free seat.
- High life time.
- Cracking pressure 0.5 Bar (7.25 PSI).
- Sizes:
 - ZRV01 – NFPA D03 / NG6 / CETOP 3
 - ZRV02 – NFPA D05 / NG10 / CETOP 5

Ordering Information



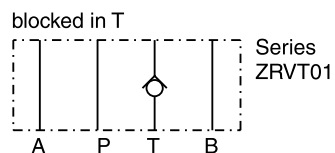
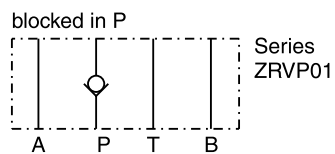
Code	Description
P	Blocked in P
T	Blocked in T

Code	Description
01	NFPA D03 / NG6
02	NFPA D05 / NG10

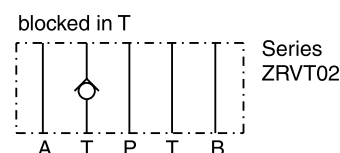
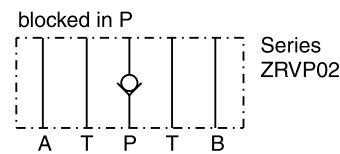
Weight:

ZRV*01 0.7 kg (1.5 lbs)
 ZRV*02 2.0 kg (4.4 lbs.)

ZRV01



ZRV02

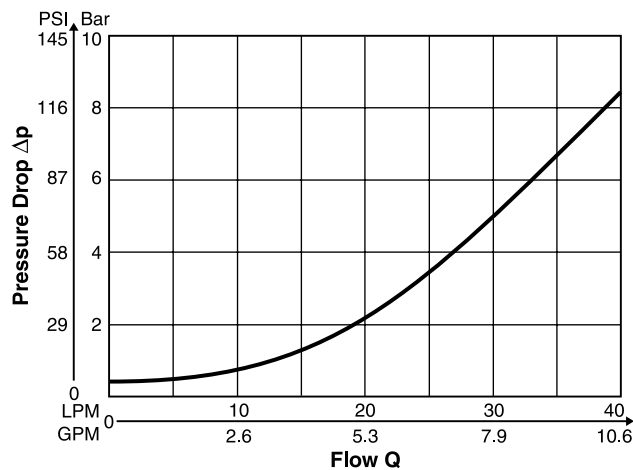


Specifications

General		
Size	NG6	NG10
Mounting Interface	DIN 24340 A6 ISO 4401 NFFPA D03 CETOP RP 121	DIN 24340 A10 ISO 4401 NFFPA D05 CETOP RP 121 5
Mounting Position	Unrestricted	
Ambient Temperature	-20°C to +50°C (-4°F to +122°F)	
Hydraulic		
Max. Operating Pressure	350 Bar (5075 PSI)	
Nominal Flow	40 LPM (10.6 GPM)	100 LPM (26.5 GPM)
Cracking Pressure	0.5 Bar (7.25 PSI)	0.5 Bar (7.25 PSI)
Fluid	Hydraulic oil as per DIN 51524 ... 51525	
Fluid Temperature	-20°C to +80°C (-4°F to +176°F)	
Viscosity	10 to 650 cSt / mm ² /s (46 to 3013 SSU)	
Permitted	30 cSt / mm ² /s (139 SSU)	
Recommended		
Filtration	ISO 4406 (1999) 18/16/13 (acc. NAS 1638: 7)	

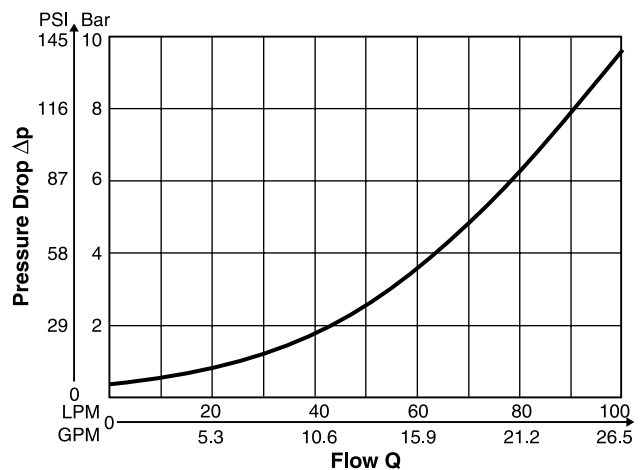
p/Q Performance Curves

ZRV P/T01



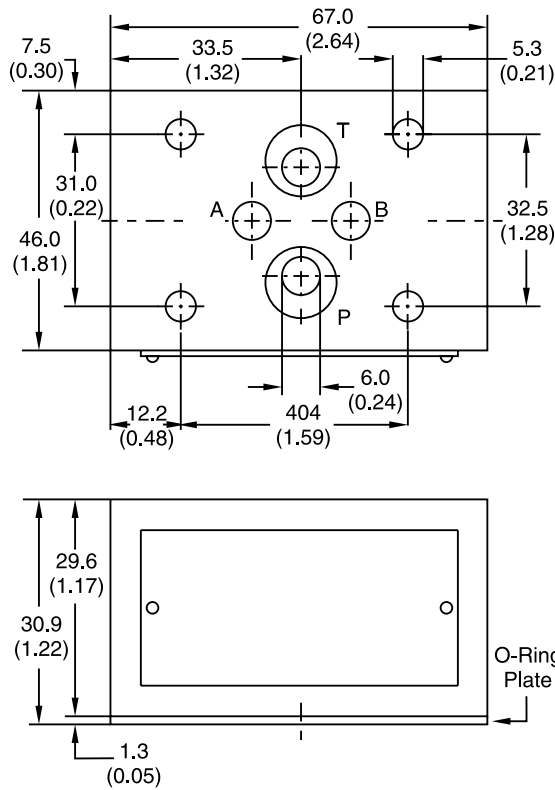
Fluid Viscosity 30 cSt at 50°C (122°F)

ZRV P/T02

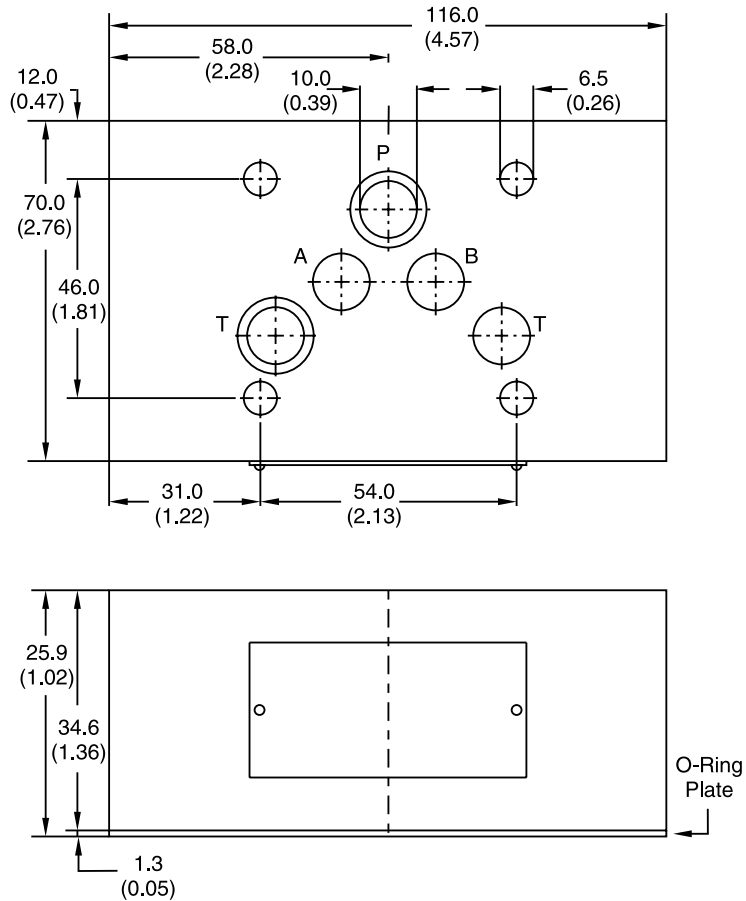


Fluid Viscosity 30 cSt at 50°C (122°F)

ZRV01 – Inch equivalents for millimeter dimensions are shown in (**)

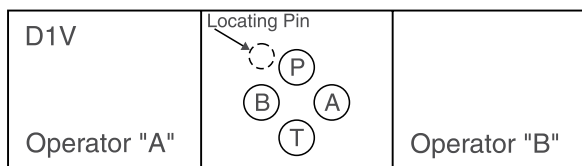


ZRV02 – Inch equivalents for millimeter dimensions are shown in (**)



CAUTION:
Sandwich Installation

Prior to installation of Sandwich valves, please review flow paths. Due to the reversibility of the DO3 size, incorrect installation will alter the hydraulic circuit. Care must be taken during installation to insure that the Sandwich is installed in compliance with the hydraulic schematic. Please consult with your Parker representative with any questions that may arise.



Pressure Ratings

Unless otherwise specified, all Parker Sandwich valves have continuous duty pressure rating as shown in this catalog.

Special Requirements

Consult your Parker representative for factory recommendations on such situations as:

- Installations that will operate at pressures higher than published catalog ratings.
- Use of hydraulic fluids which do not meet our recommended specifications.
- Operations where fluid temperature will exceed 121°C (250°F).

Recommended Mounting Surface

Surface must be flat within .0004 inch T.I.R. and smooth with 32 micro-inch.

System Cleanliness

Any hydraulic system that includes Parker valves should be carefully protected against dirt and fluid contamination. Life of the valves, as well as of all other components, will be greatly lengthened. Operation will be smoother and more precise. Maintenance and repairs will be reduced. Lost production because of low pressure and flow will be minimized. Fluid contamination should be maintained to less than 500 particles larger than 10 micrometers per milliliter of fluid (SAE class 4 or better/ISO Code 16/13).

Hydraulic Fluids

Parker recommends using top-quality hydraulic fluids having a viscosity range of 32 to 54 cSt (150 to 250 SSU) at 38°C (100°F). The absolute viscosity range should be 16 to 220 cSt (80 to 1000 SSU). Fluids should have highest anti-wear characteristics and be treated to avoid rust and oxidation.

Seals

When used with water-glycol, water/oil emulsions, and high-grade petroleum base hydraulic fluids, Parker standard nitrile seals are suitable.

When using phosphate ester fluids or their blends, specify Parker optional seals made of fluorocarbon. Synthetic fire-resistant fluids require special seal materials which your Parker representative can recommend.

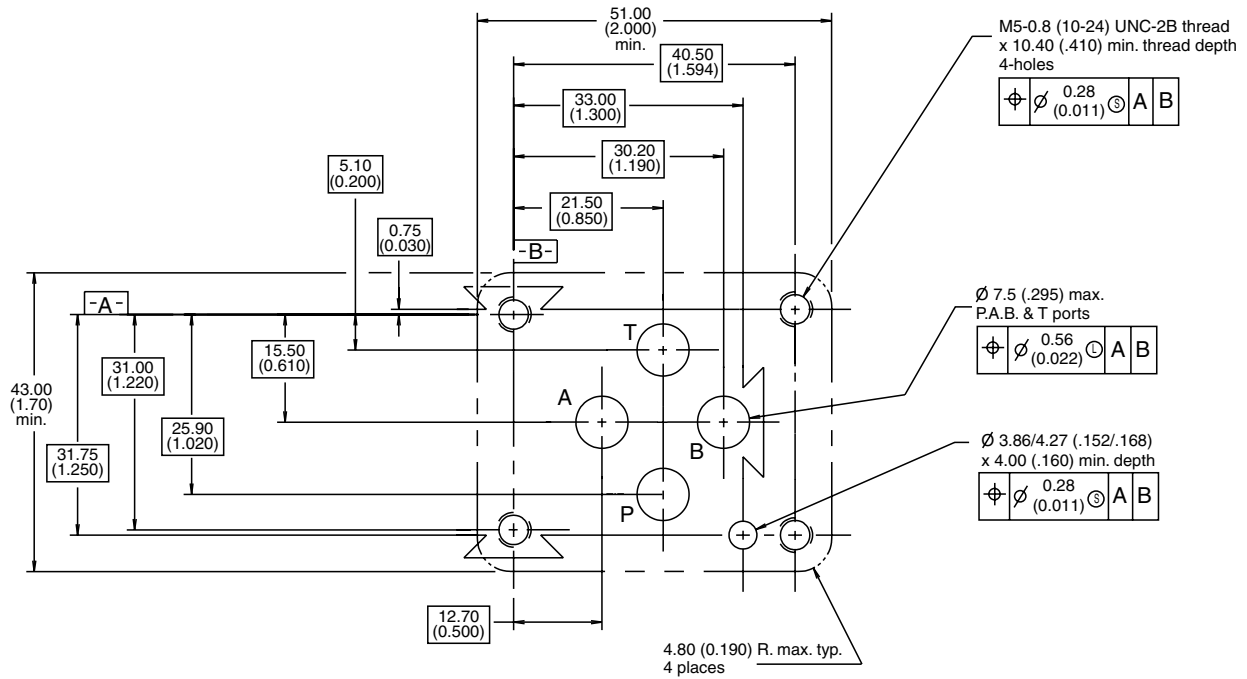
Torque Specifications

The recommended torque valves are for the bolts which mount the valve to the manifold or subplate are as follows:

Size	Torque Valve
D03	5.7 N.m. (50 in.-lbs.)
D05	16.3 N.m. (12 ft.-lbs.)
D07	63.0 N.m. (46.5 ft.-lbs.)
D08	108.5 N.m. (80 ft.-lbs.)

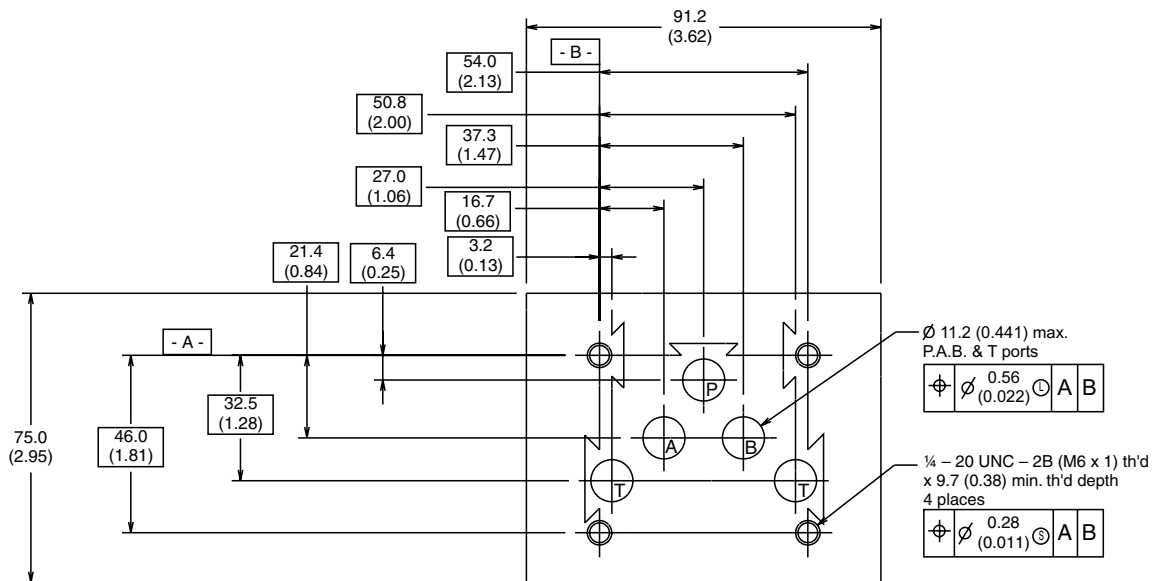
Mounting Pattern – NFPA D03, CETOP 3 & NG6

Inch equivalents for millimeter dimensions are shown in (**)



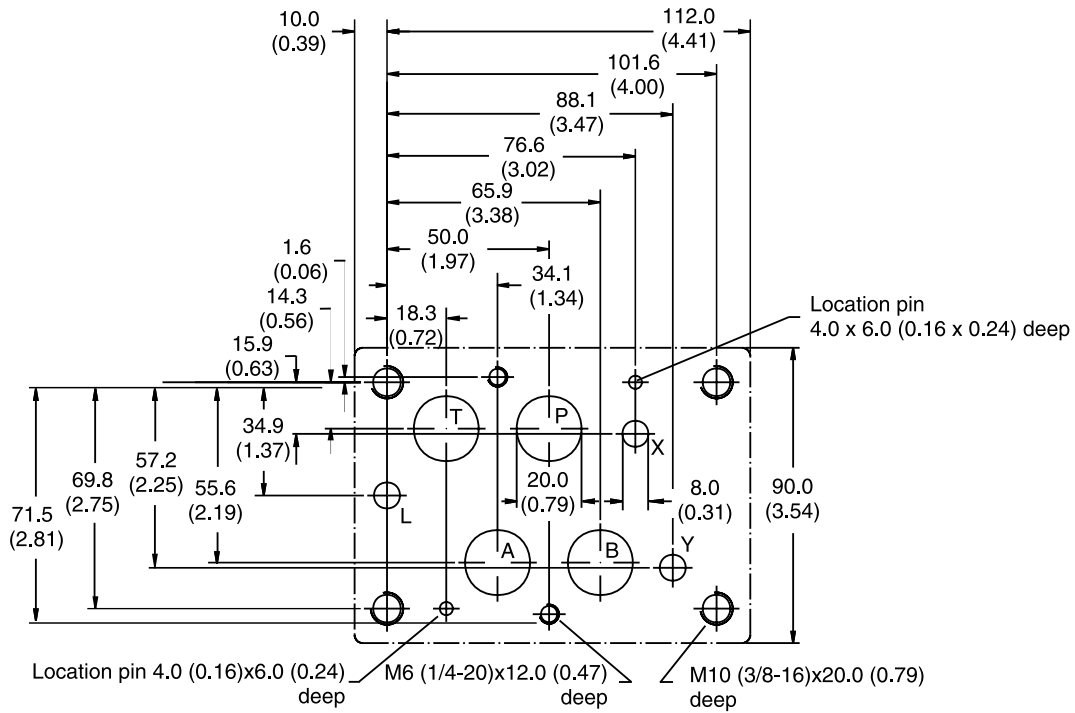
Mounting Pattern – NFPA D05, CETOP 5 & NG10

Inch equivalents for millimeter dimensions are shown in (**)



Mounting Pattern – NFPA D07, CETOP 7 & NG16

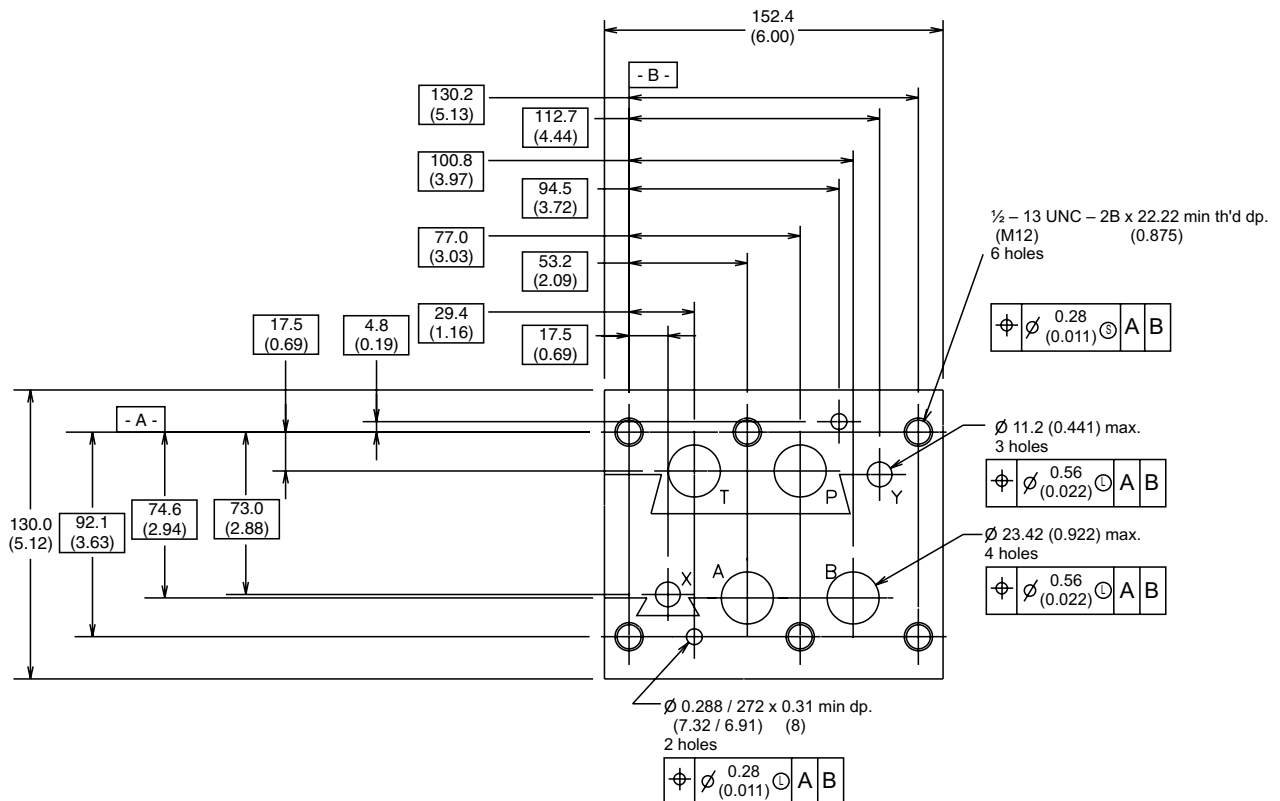
Inch equivalents for millimeter dimensions are shown in (**)



B

Mounting Pattern – NFPA D08, CETOP 8 & NG25

Inch equivalents for millimeter dimensions are shown in (**)



[Return to ALPHA TOC](#)

[Return to SECTION TOC](#)

Contents

Series D1V

General Description..... C2
 Features C2
 Operation..... C2
 Dimensions
 Side Ported Subplate – NFPA D03 C2
 Bottom Ported Subplate – NFPA D03..... C3
 Manifold – NFPA D03 C4
Ordering Information
 Subplates..... C5
 Manifolds C6

Series D3A, D3DW, D3L and D3W

Features C7
 Dimensions
 Side Ported Subplate – NFPA D05 C7
 Bottom Ported Subplate – NFPA D05..... C7
 Manifold – NFPA D05 C8

Series D31, D3P and High Flow

Features C9
 Dimensions
 Side Ported Subplate – NFPA D05H (E)..... C9
 Bottom Ported Subplate – NFPA D05H (E) C9
 Manifold – NFPA D05H (E) C10
Ordering Information
 D3 Subplates C11
 D3 Manifolds..... C12
 D3P and High Flow Manifolds C13

Series D6 and D8

Features C14
 Dimensions
 Side Ported Subplate – NFPA D08 C14
 Bottom Ported Subplate – NFPA D08..... C15
 Manifold – NFPA D08 C16
Ordering Information
 Subplates..... C17
 Manifolds C18

Accessories

Dimensions
 Cover and Crossover Plates – NFPA D03, D05, D05H and D08..... C19 - C22
 Tapping Plates – NFPA D03, D05, D05H and D08..... C23 - C26
Ordering Information
 Tapping and Cover Plates – D1V, D3, D31, D6 and D8..... C27 - C30

Installation Information

Mounting Patterns – NFPA D03, D05, D05H, D05HE and D08..... C31 - C33

Series PSB

General Description..... C34
 Features C34
 Specifications C34
 Ordering Information C35
 Mounting Pattern C35
 Performance Curves..... C36
 Electrical Connection..... C36
 Dimensions..... C37 - C39



General Description

Series D1V directional control valve subplates provide easy transition from NFPA and CETOP mounting patterns to common plumbing connections. Five different thread types are available for use in any application.

Manifolds provide a single location to mount several valves in a compact and manageable array for operating multiple machines or functions.

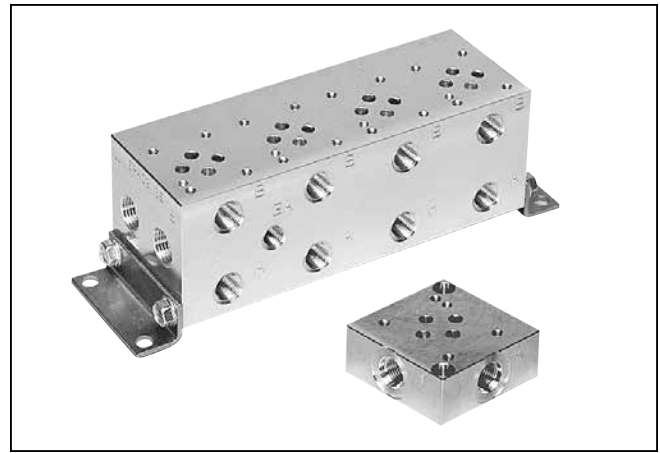
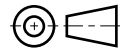
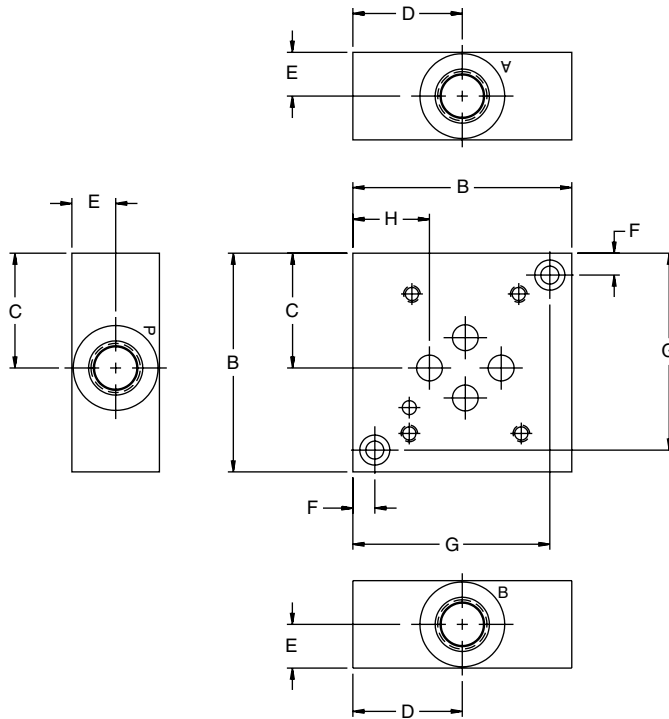


Features

- **Aluminum or steel available** — Flexibility for applying to different system pressures.
- **NPT and SAE thread options available** — Flexibility to plumb into existing systems.
- **Multiple port sizes available** — Eliminates need for reducers and expanders at subplate connection.

Side Ported Subplate — NFPA D03

Inch equivalents for millimeter dimensions are shown in (**)



Operation

Series D1V subplates and manifolds consist of an NFPA valve mounting surface and corresponding connections for each valve port. Various port sizes and thread type are available. Cover plates, crossover and tapping plates are also available.

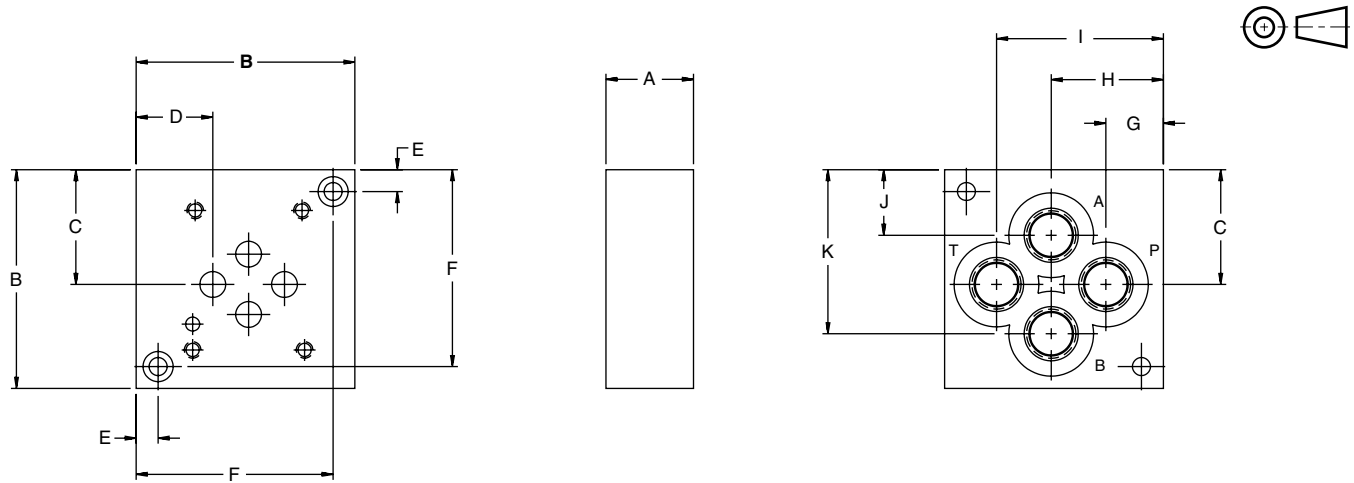
Port Size	A	B	C	D	E	F	G	H
2*	25.4 (1.00)	63.5 (2.50)	33.3 (1.31)	31.8 (1.25)	12.7 (.50)	6.4 (.25)	57.2 (2.25)	22.4 (.88)
3*	25.4 (1.00)	63.5 (2.50)	33.3 (1.31)	31.8 (1.25)	12.7 (.50)	6.4 (.25)	57.2 (2.25)	22.4 (.88)
4*	38 (1.50)	88.9 (3.50)	46.0 (1.81)	45.2 (1.78)	19.1 (.75)	6.4 (.25)	82.5 (3.25)	35.1 (1.38)
6*	44.5 (1.75)	101.6 (4.00)	52.3 (2.06)	51.6 (2.03)	22.4 (.88)	9.7 (.38)	92.2 (3.63)	41.4 (1.63)

See Mounting Bolt Kits for bolt information.

Series D1V

Bottom Ported Subplate — NFPA D03

Inch equivalents for millimeter dimensions are shown in (**)

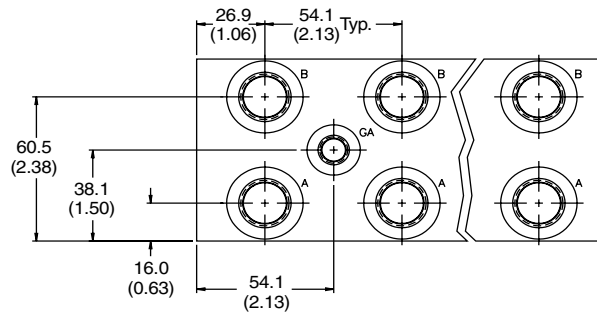
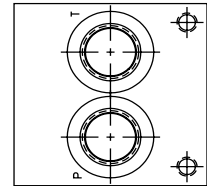
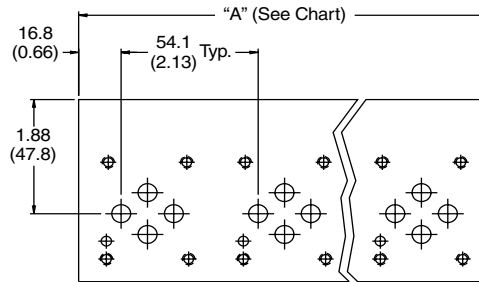
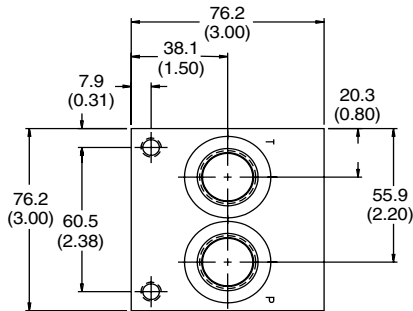


Port Size	A	B	C	D	E	F	G	H	I	J	K
2*	25.4 (1.00)	63.5 (2.50)	33.3 (1.31)	22.4 (.88)	6.4 (.25)	57.2 (2.25)	16.8 (.66)	32.5 (1.28)	48.5 (1.91)	19.1 (.75)	47.8 (1.88)
3*	25.4 (1.00)	63.5 (2.50)	33.3 (1.31)	22.4 (.88)	6.4 (.25)	57.2 (2.25)	15.0 (.59)	32.5 (1.28)	50.0 (1.97)	17.5 (.69)	49.3 (1.94)
4*	38.1 (1.50)	88.9 (3.50)	46.0 (1.81)	35.1 (1.38)	6.4 (.25)	82.6 (3.25)	17.5 (.69)	45.2 (1.78)	71.4 (2.81)	19.1 (.75)	71.4 (2.81)
6*	38.1 (1.50)	114.3 (4.50)	58.7 (2.31)	47.8 (1.88)	9.7 (.38)	104.9 (4.13)	23.9 (.94)	57.9 (2.28)	90.4 (3.56)	23.9 (.94)	90.4 (3.56)

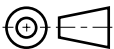
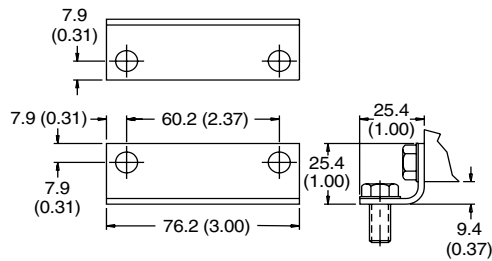
See Mounting Bolt Kits for bolt information.

Series D1V
Manifold — NFPA D03

Inch equivalents for millimeter dimensions are shown in (**)



Note: Gage port not available on single station manifold.

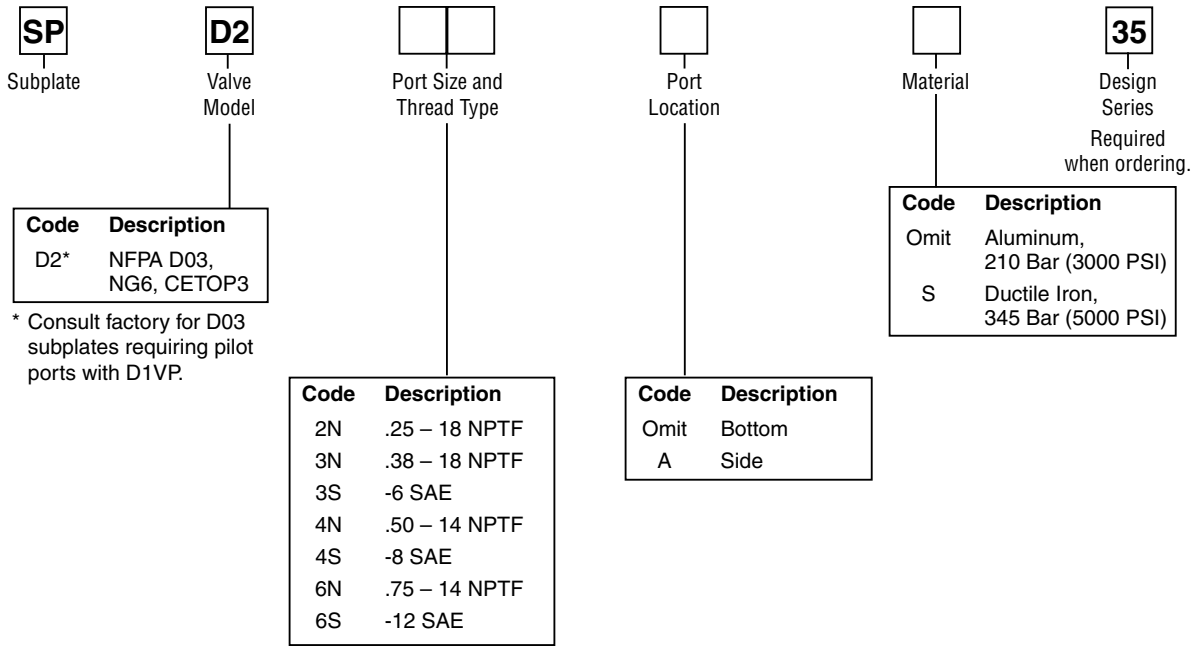


Mounting Hardware
 (See Ordering Information for Mounting Hardware details)

No. Stations	1	2	3	4	5	6	7	8
"A" Length mm (inch)	54.1 (2.13)	108.0 (4.25)	162.1 (6.38)	215.9 (8.50)	270.0 (10.63)	323.9 (12.75)	378.0 (14.88)	431.8 (17.00)
Wgt., Alum, kg (lbs.)	1.4 (3)	1.8 (4)	2.7 (6)	3.6 (8)	4.1 (9)	5.0 (11)	5.4 (12)	6.4 (14)
Wgt., Iron, kg (lbs.)	2.3 (5)	4.1 (9)	5.9 (13)	7.7 (17)	9.5 (21)	11.8 (26)	13.6 (30)	15.4 (34)

See Mounting Bolt Kits for bolt information.

Series D1V Subplates



Note: 35 Design Series subplates conform to NFPA mounting pattern specifications, but may be dimensionally different from previous design series.

Mounting Bolt Kits

UNC Bolt Kits for use with D1V Directional Control Valves & Sandwich Valves (D1V*-91 Design, Solenoid Operated)					
	Number of Sandwich Valves @ 1.58" (40mm) thickness				
	0	1	2	3	4
D1V-91	BK209 1.25"	BK243 2.88"	BK225 4.38"	BK244 6.00"	BK245 7.50"
D1V-91 Plus Tapping Plate	BK176 2.25"	BK56 3.81"	BK212 5.38"	BK107 7.00"	BK106 8.50"

Note: All bolts are SAE grade 8, 10-24 UNC-2A thread, torque to 5.6 N.m. (50 in.-lbs.)

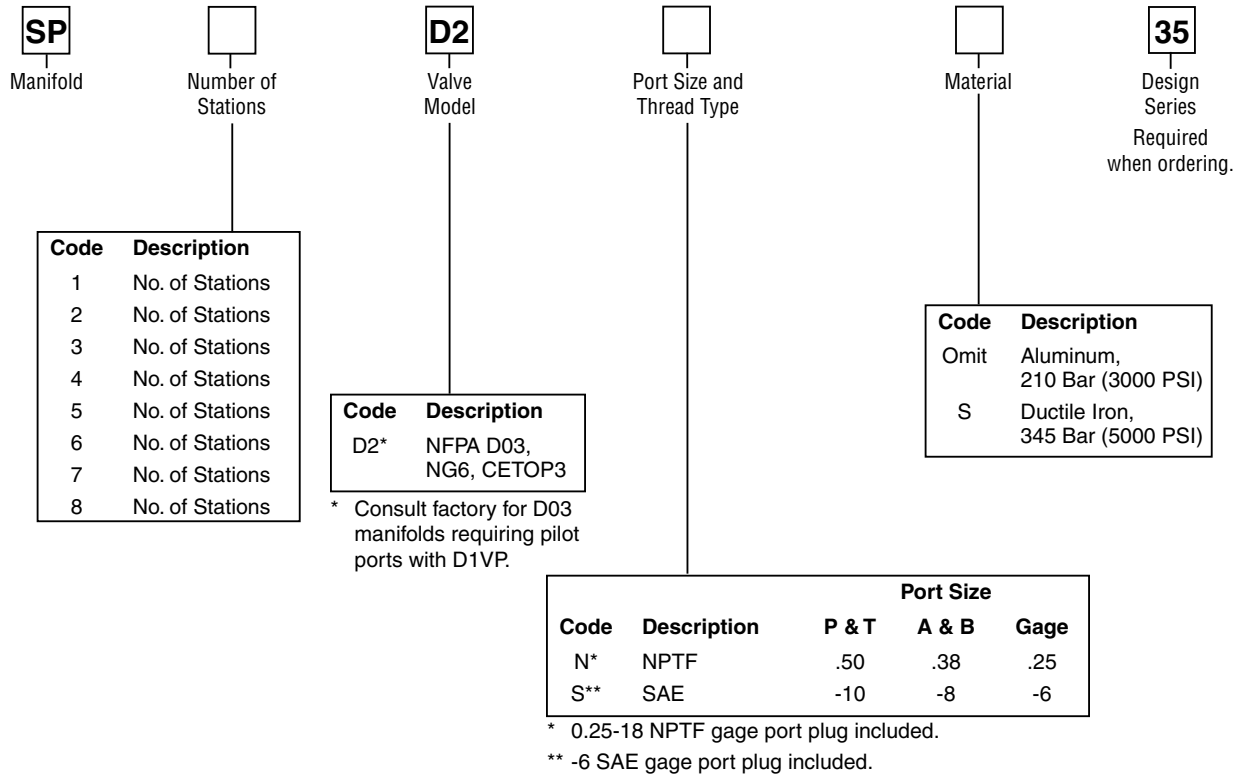
Mounting Hardware
 supplied with subplate includes:

Subplates	Mounting Hardware	Qty.
SPD22N**	.25-20 UNC x	2
SPD23N**	.88 LG. SHCS	
SPD23S**		
SPD24N**	.25-20 UNC x	2
SPD24S**	1.5 LG. SHCS	
SPD26N*	.38-16 UNC x	2
SPD26S*	1.50 LG. SHCS	
SPD26NA*	.38-16 UNC x	2
SPD26SA*	1.75 LG. SHCS	

Valve mounting threads:
 #10-24 UNC x 0.63 DP.
 Used for SAE and NPTF ports.
 Metric M5-0.8mm ISO 6H x 16 DP.
 Used for BSPP, BSPT and ISO ports.



Series D1V Manifolds



Note: 35 Design Series manifolds conform to NFPA mounting pattern specifications, but may be dimensionally different from previous design series.

Mounting Bolt Kits

UNC Bolt Kits for use with D1V Directional Control Valves & Sandwich (D1V*-91 Design, Solenoid Operated)					
	Number of Sandwich @ 1.58" (40mm) thickness				
	0	1	2	3	4
D1V-91	BK209 1.25"	BK243 2.88"	BK225 4.38"	BK244 6.00"	BK245 7.50"
D1V-91 Plus Tapping Plate	BK176 2.25"	BK56 3.81"	BK212 5.38"	BK107 7.00"	BK106 8.50"

Mounting hardware supplied with manifold includes:
 (2) steel brackets
 For SAE and NPTF ports: (8) 5/16-18 UNC x .63 hex washer cap screws.
 Valve mounting threads:
 #10-24 UNC x 0.63 DP. Used for SAE and NPTF ports.

Note: All bolts are SAE grade 8, 10-24 UNC-2A thread, torque to 5.6 N.m. (50 in.-lbs.)

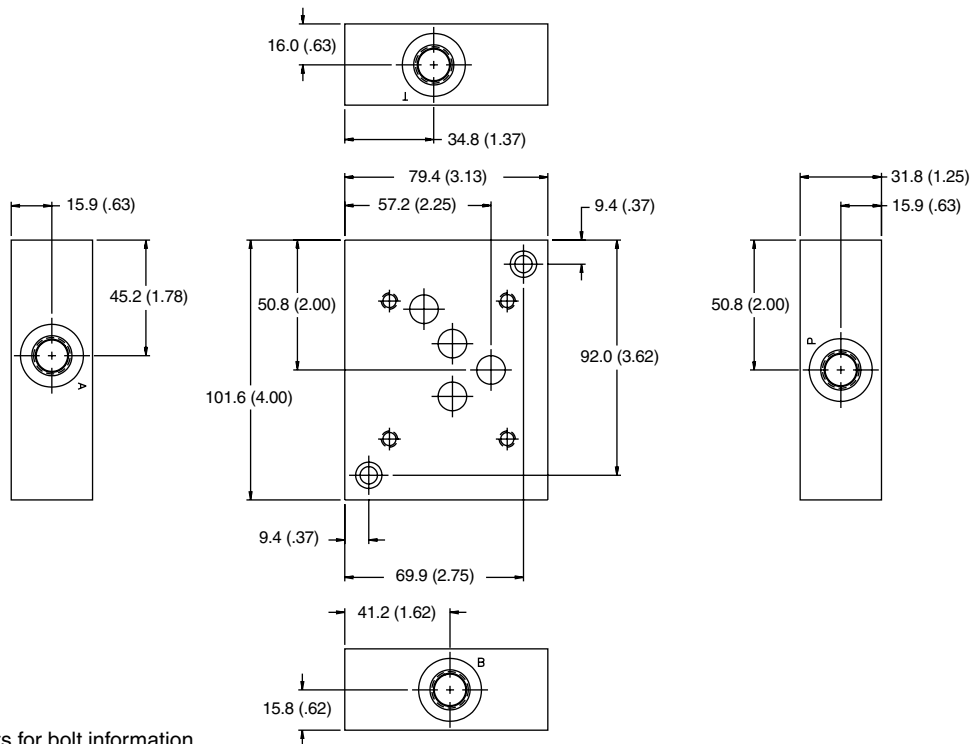
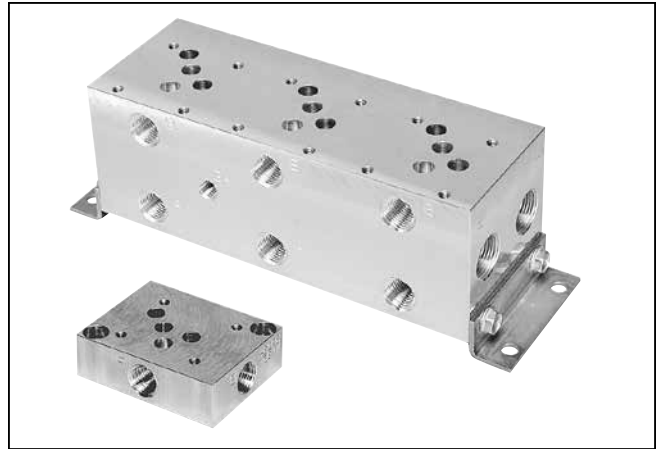
No. Stations	1	2	3	4	5	6	7	8
Wgt., Alum, kg (lbs.)	1.4 (3)	1.8 (4)	2.7 (6)	3.6 (8)	4.1 (9)	5.0 (11)	5.4 (12)	6.4 (14)
Wgt., Iron, kg (lbs.)	2.3 (5)	4.1 (9)	5.9 (13)	7.7 (17)	9.5 (21)	11.8 (26)	13.6 (30)	15.4 (34)

Features

- **Aluminum or steel available** — Flexibility for applying to different system pressures.
- **NPT and SAE thread options available** — Flexibility to plumb into existing systems.
- **Multiple port sizes available** — Eliminates need for reducers and expander at subplate connection.

Side Ported Subplate — NFPA D05

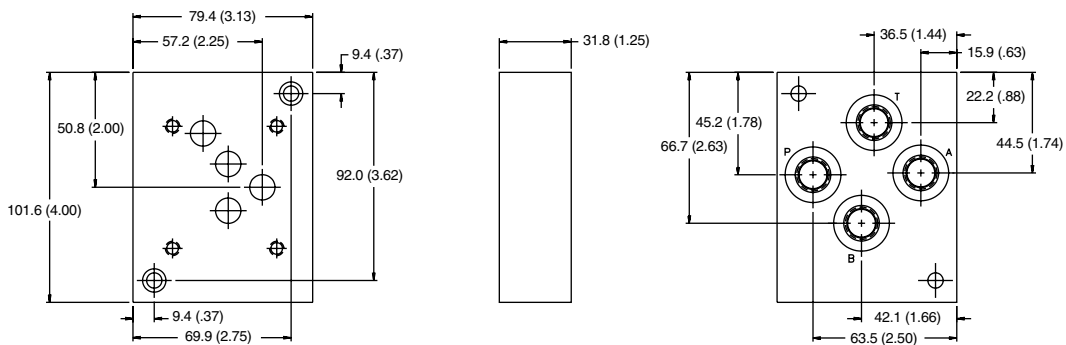
Inch equivalents for millimeter dimensions are shown in (**)



See Mounting Bolt Kits for bolt information.

Bottom Ported Subplate — NFPA D05

Inch equivalents for millimeter dimensions are shown in (**)



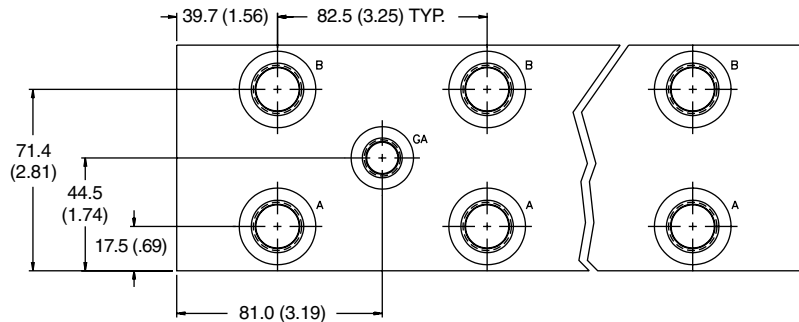
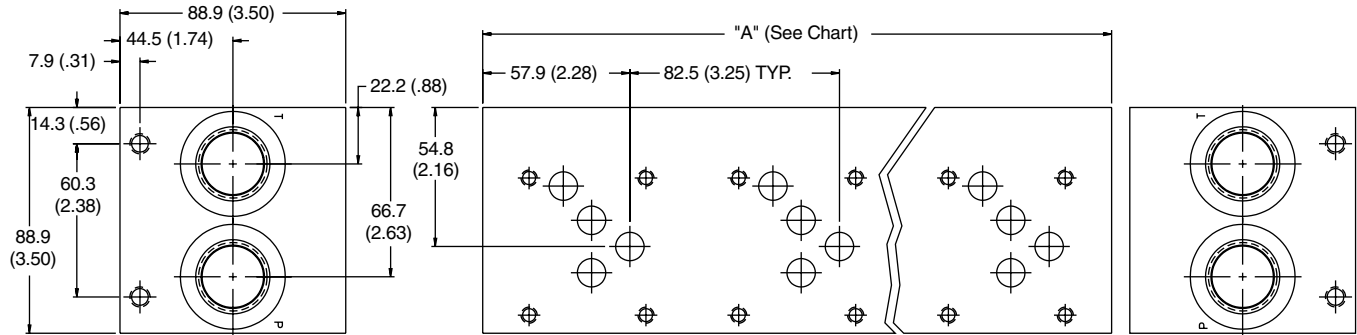
See Mounting Bolt Kits for bolt information.

Subplate-Manifold.indd, dd

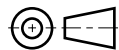
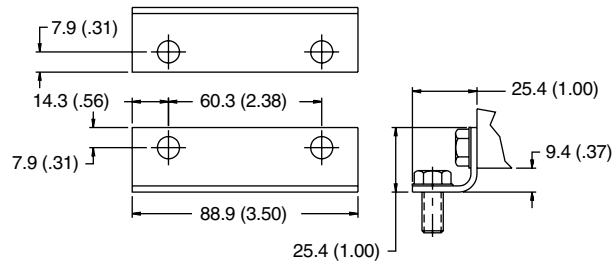
Series D3A, D3DW, D3L and D3W

Manifold — NFPA D05

Inch equivalents for millimeter dimensions are shown in (**)



Note: Gage port not available on single station manifold.



Mounting Hardware
(See Ordering Information for Mounting Hardware details)

No. Stations	1	2	3	4	5	6
"A" Length, mm (in)	82.6 (3.25)	165.1 (6.50)	247.7 (9.75)	330.2 (13.00)	412.8 (16.25)	495.3 (19.50)
Weight, Alum. kg (lbs.)	1.8 (4)	3.6 (8)	5.0 (11)	6.4 (14)	7.9 (17)	9.6 (21)
Weight, Iron kg (lbs.)	4.1 (9)	7.7 (17)	11.8 (26)	15.4 (34)	20.1 (43)	23.3 (51)

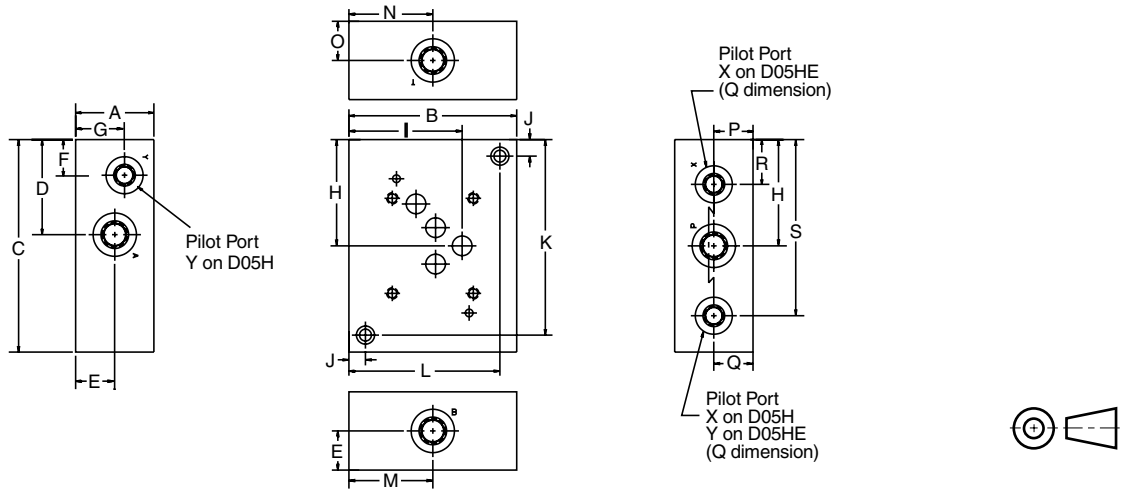
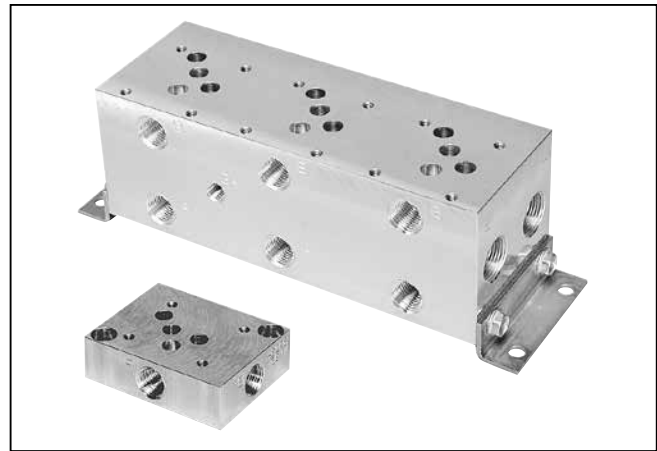
See Mounting Bolt Kits for bolt information.

Features

- **Aluminum or steel available** — Flexibility for applying to different system pressures.
- **NPT and SAE thread options available** — Flexibility to plumb into existing systems.
- **Multiple port sizes available** — Eliminates need for reducers and expander at subplate connection.
- **Parallel or series circuit applications** — Flexibility for different circuits.

**Side Ported Subplate —
 NFPA D05, D05H and D05HE**

Inch equivalents for millimeter dimensions are shown in (**)



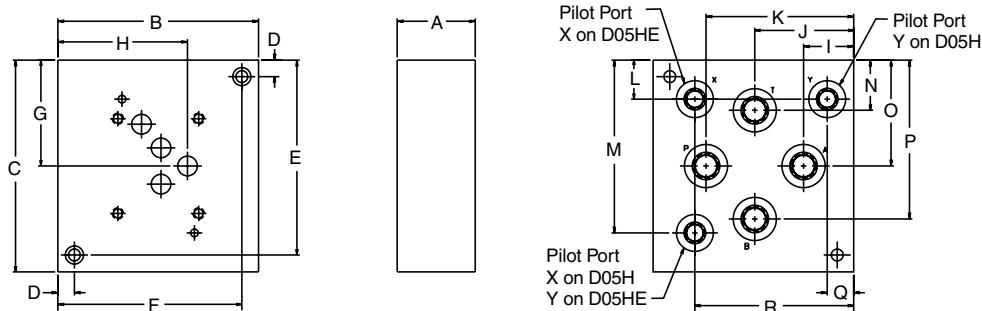
Dimensions	A	B	C	D	E	F*	G*	H	I	J	K	L	M	N	O	P	Q*	R*	S*
SPD31V**A*	44.5 (1.75)	95.3 (3.75)	120.7 (4.75)	54.1 (2.13)	22.4 (0.88)	20.6 (0.81)	22.4 (0.88)	60.2 (2.37)	64.3 (2.53)	9.7 (0.38)	111.0 (4.37)	85.9 (3.38)	47.8 (1.88)	47.8 (1.88)	22.4 (0.88)	22.4 (0.88)	22.4 (0.88)	—	100.1 (3.94)
SPD31D**A*	44.5 (1.75)	95.3 (3.75)	120.7 (4.75)	54.1 (2.13)	22.4 (0.88)	—	—	60.2 (2.37)	64.3 (2.53)	9.7 (0.38)	111.0 (4.37)	85.9 (3.38)	47.8 (1.88)	47.8 (1.88)	22.4 (0.88)	22.4 (0.88)	11.2 (0.44)	25.4 (1.00)	100.1 (3.94)

See Mounting Bolt Kits for bolt information.

* Not available with high flow option.

Bottom Ported Subplate — NFPA D05, D05H and D05HE

Inch equivalents for millimeter dimensions are shown in (**)



Dimension	A	B	C	D	E	F	G	H	I	J	K	L*	M*	N	O	P	Q*	R*
SPD31V***	44.5 (1.75)	114.3 (4.50)	120.7 (4.75)	9.7 (0.38)	111.3 (4.38)	104.9 (4.13)	60.2 (2.37)	73.9 (2.91)	28.4 (1.12)	56.4 (2.22)	84.1 (3.31)	22.4 (0.88)	98.6 (3.88)	28.7 (1.13)	60.5 (2.38)	90.4 (3.56)	15.0 (0.59)	90.4 (3.56)
SPD31D***	44.5 (1.75)	114.3 (4.50)	120.7 (4.75)	9.7 (0.38)	111.3 (4.38)	104.9 (4.13)	60.2 (2.37)	73.9 (2.91)	28.4 (1.12)	56.4 (2.22)	84.1 (3.31)	20.6 (0.81)	100.1 (3.94)	28.7 (1.13)	60.5 (2.38)	90.4 (3.56)	—	88.9 (3.50)

See Mounting Bolt Kits for bolt information.

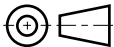
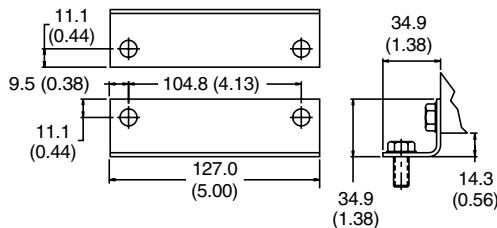
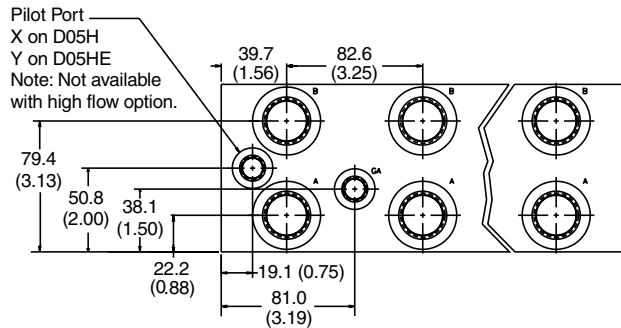
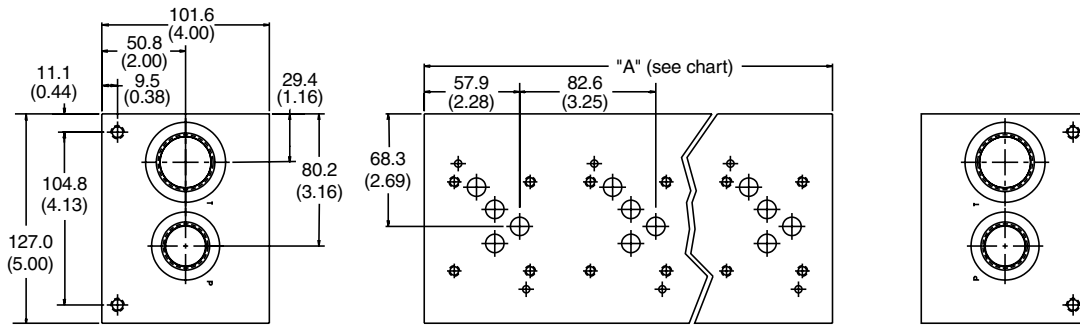
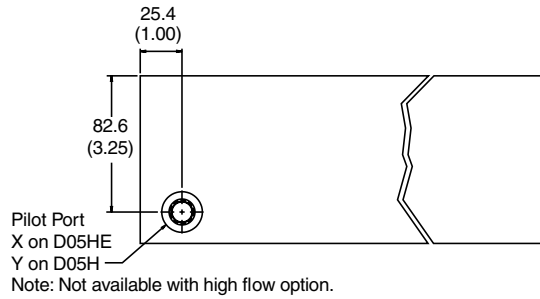
* Not available with high flow option.

Subplate-Manifold.indd, dd

Series D3P and High Flow

Manifold — NFPA D05, D05H and D05HE

Inch equivalents for millimeter dimensions are shown in (**)

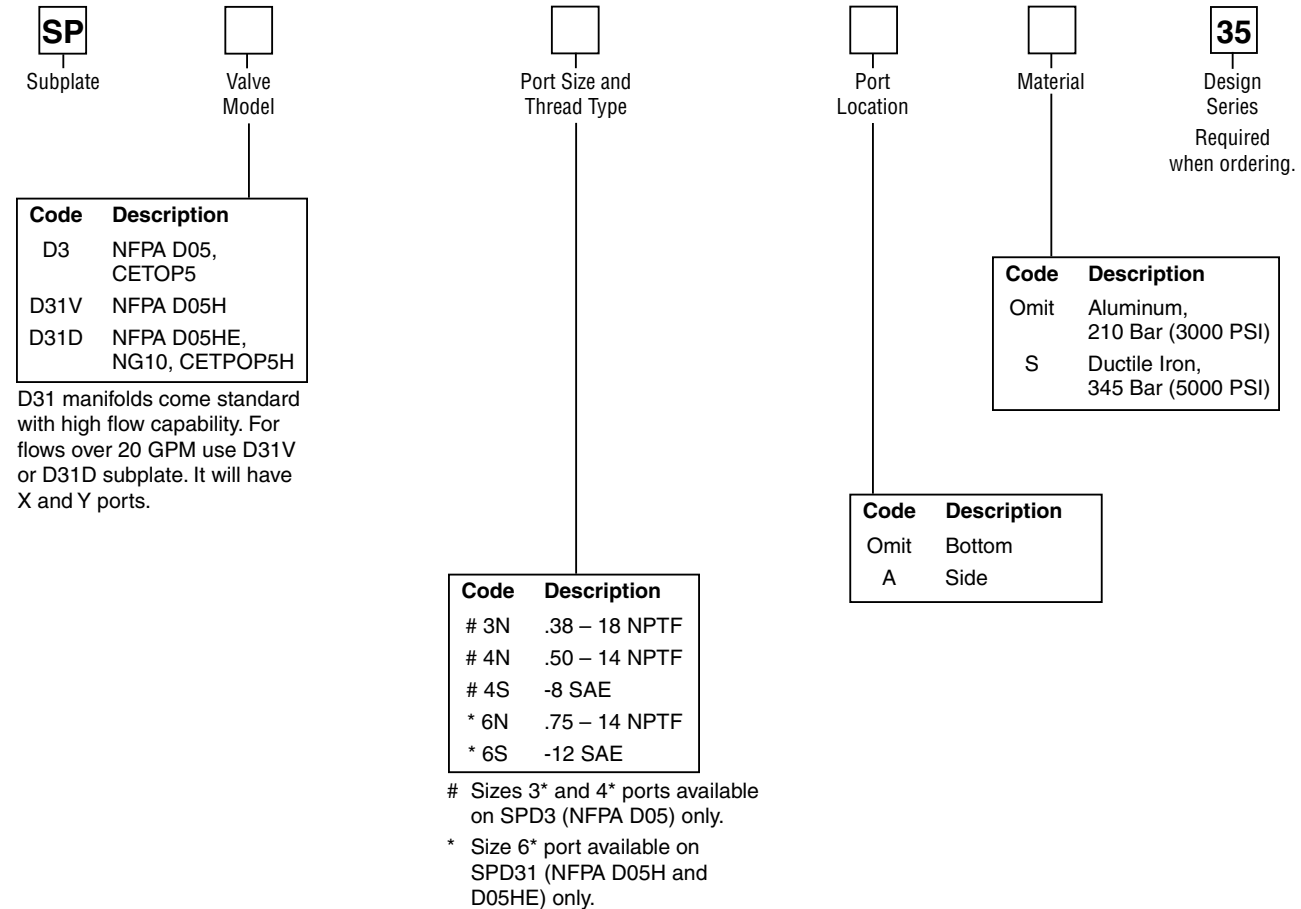


Mounting Hardware
(See Ordering Information for Mounting Hardware details)

No. of Stations	1	2	3	4	5	6
"A" Length mm (inch)	82.6 (3.25)	165.1 (6.50)	247.7 (9.75)	330.2 (13.00)	412.8 (16.25)	495.3 (19.50)
Weight Alum. kg (lbs.)	15.4 (7.00)	26.5 (12.00)	37.5 (17.00)	48.5 (22.00)	59.5 (27.00)	72.8 (33.00)
Weight Iron kg (lbs.)	41.9 (19.00)	83.8 (38.00)	125.7 (57.00)	165.4 (75.00)	187.4 (85.00)	249.2 (113.00)

See Mounting Bolt Kits for bolt information.

Series D3 and D31 Subplates



Mounting Hardware
 supplied with subplate includes:

Subplates	Mounting Hardware	Qty.
SPD33N**	.38-16 UNC x	2
SPD34N**	1.25 LG. SHCS	
SPD34S**		
SPD31*6N**	.38-16 UNC x	2
SPD31*6S**	1.75 LG. SHCS	
SPD3H6N**		
SPD3H6S**		

Valve mounting threads:
 0.25-20 UNC x 0.75 DP.
 Used for SAE and NPTF ports.

Note: 35 Design Series subplates conform to NFPA mounting pattern specifications, but may be dimensionally different from previous design series.

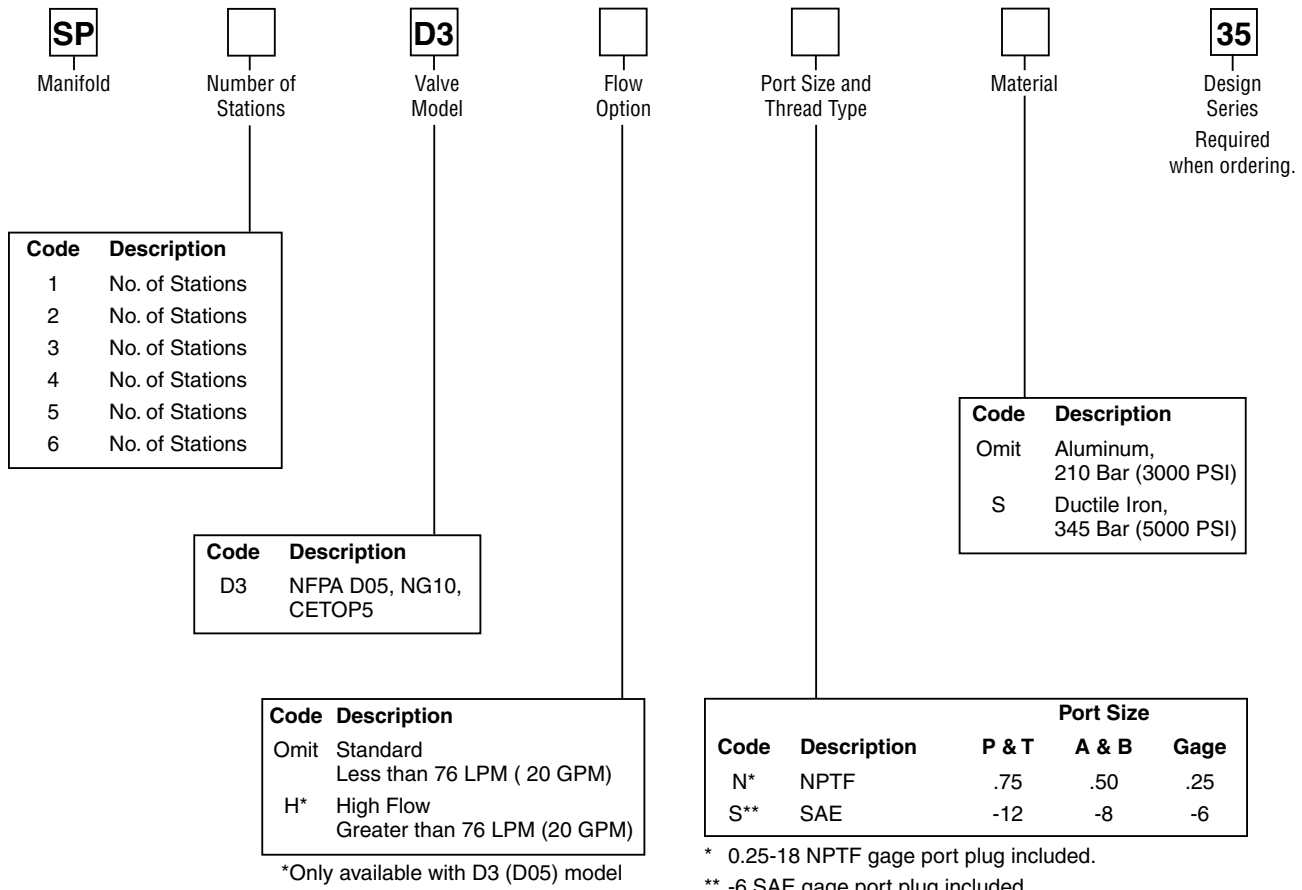
Subplate-Manifold.indd, dd

Mounting Bolt Kits

UNC Bolt Kits for use with D3W, D3, D31VW, D31DW Directional Control Valves & Sandwich Valves				
	Number of Sandwich Valves @2.00" (50mm) thickness			
	0	1	2	3
D3-32, D31VW-91, D31DW-91, D3P	BK98 1.625"	BK141 3.50"	BK142 5.50"	BK143 7.50"
D3-32, D31VW-91, D31DW-91, D3P plus tapping plate	BK166 2.50"	BK167 4.50"	BK168 6.50"	BK169 8.50"

Note: All bolts are SAE grade 8, 1/4-20 UNC-2A thread, torque to 16 N.m. (12 ft.-lbs.)

Series D3 Manifolds



Mounting hardware supplied with manifold includes:
 (2) steel brackets
 For SAE and NPTF ports:
 (8) 5/16-18 UNC x .63 hex washer cap screws

Valve mounting threads:
 0.25-20 UNC x 0.75 DP.
 Used for SAE and NPTF ports.

* 0.25-18 NPTF gage port plug included.
 ** -6 SAE gage port plug included.

Note: 35 Design Series manifolds conform to NFPA mounting pattern specifications, but may be dimensionally different from previous design series.

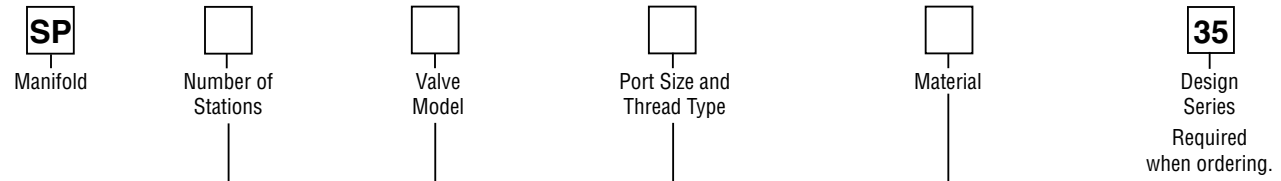
No. Stations	1	2	3	4	5	6
Wgt., Alum, kg (lbs.)	1.8 (4)	3.7 (8)	5.0 (11)	6.4 (14)	7.8 (17)	9.6 (21)
Wgt., Iron, kg (lbs.)	4.1 (9)	7.8 (17)	11.9 (26)	15.6 (34)	19.7 (43)	23.3 (51)

Mounting Bolt Kits

UNC Bolt Kits for use with D3W and D3 Directional Control Valves & Sandwich Valves				
	Number of Sandwich Valves @2.00" (50mm) thickness			
	0	1	2	3
D3-32	BK98 1.625"	BK141 3.50"	BK142 5.50"	BK143 7.50"
D3-32 plus tapping plate	BK166 2.50"	BK167 4.50"	BK168 6.50"	BK169 8.50"

Note: All bolts are SAE grade 8, 1/4-20 UNC-2A thread, torque to 16 N.m. (12 ft.-lbs.)

Series D31 and D3P Manifolds



Code	Description
1	No. of Stations
2	No. of Stations
3	No. of Stations
4	No. of Stations
5	No. of Stations
6	No. of Stations

Code	Description
D31V	NFPA D05H, D3P
D31D	NFPA D05HE, NG10, CETOP5H

D31 manifolds come standard with high flow capability.

Code	Description
Omit	Aluminum, 210 Bar (3000 PSI)
S	Ductile Iron, 345 Bar (5000 PSI)

Code	Description	Port Size			
		P, A, B	T	X, Y	Gage
N*	NPTF	.75	1.00	.38	.25
S**	SAE	-12	-16	-6	-6

* 0.25-18 NPTF gage port plug included.

** -6 SAE gage port plug included.

Mounting hardware supplied with manifold includes:

- (2) steel brackets
- For SAE and NPTF ports:
- (8) 3/8-16 UNC x .88 HHCS
- and (8) .38 SAE N series washers

Valve mounting threads:
 0.25-20 UNC x 0.75 DP.
 Used for SAE and NPTF ports.

Note: 35 Design Series manifolds conform to NFPA mounting pattern specifications, but may be dimensionally different from previous design series.

No. Stations	1	2	3	4	5	6
Wgt., Alum, kg (lbs.)	3.2 (7)	5.5 (12)	7.8 (17)	10.1 (22)	12.3 (27)	15.1 (33)
Wgt., Iron, kg (lbs.)	8.7 (19)	17.4 (38)	26.1 (57)	34.3 (75)	38.9 (85)	51.7 (113)

Mounting Bolt Kits

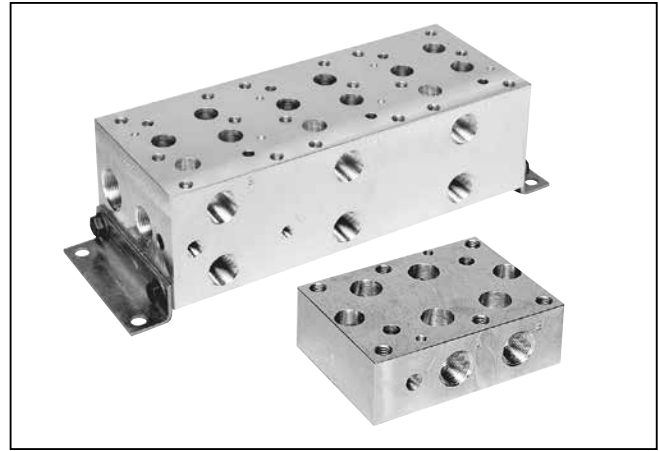
UNC Bolt Kits for use with D3P, D31VW and D31DW Directional Control Valves & Sandwich Valves (D31V*-91 Design, Solenoid Operated)				
	Number of Sandwich Valves @ 2.00" (50mm) thickness			
	0	1	2	3
D31VW-91, D3P D31DW-91	BK98 1.625"	BK141 3.50"	BK142 5.50"	BK143 7.50"
D31VW-91, D3P D31DW-91 plus tapping plate	BK166 2.50"	BK167 4.50"	BK168 6.50"	BK169 8.50"

Note: All bolts are SAE grade 8, 1/4-20 UNC-2A thread, torque to 16 N.m. (12 ft.-lbs.)



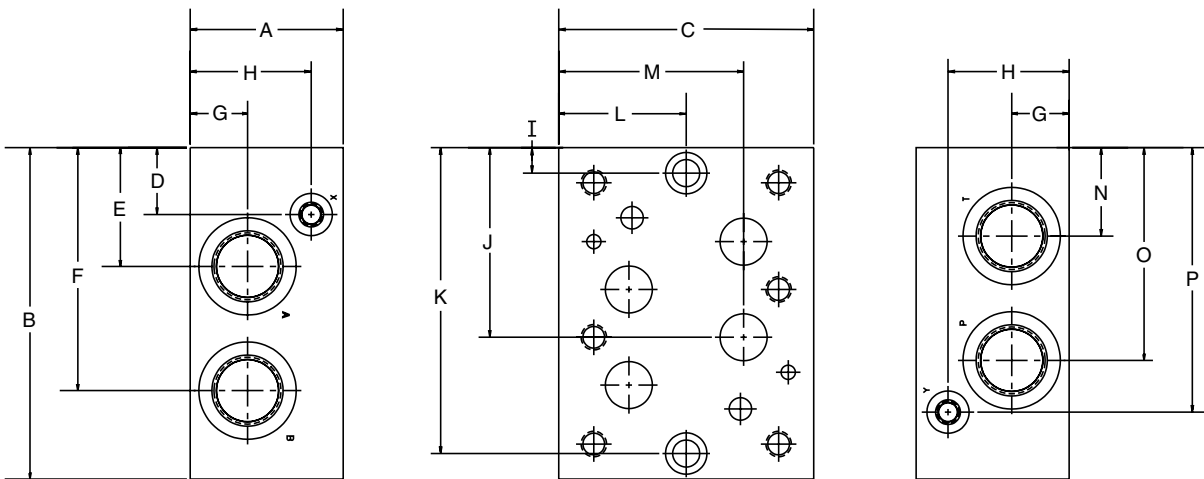
Features

- **Aluminum or steel available** — Flexibility for applying to different system pressures.
- **NPT and SAE thread options available** — Flexibility to plumb into existing systems.
- **Multiple port sizes available** — Eliminates need for reducers and expander at subplate connection.



Side Ported Subplate — NFPA D08

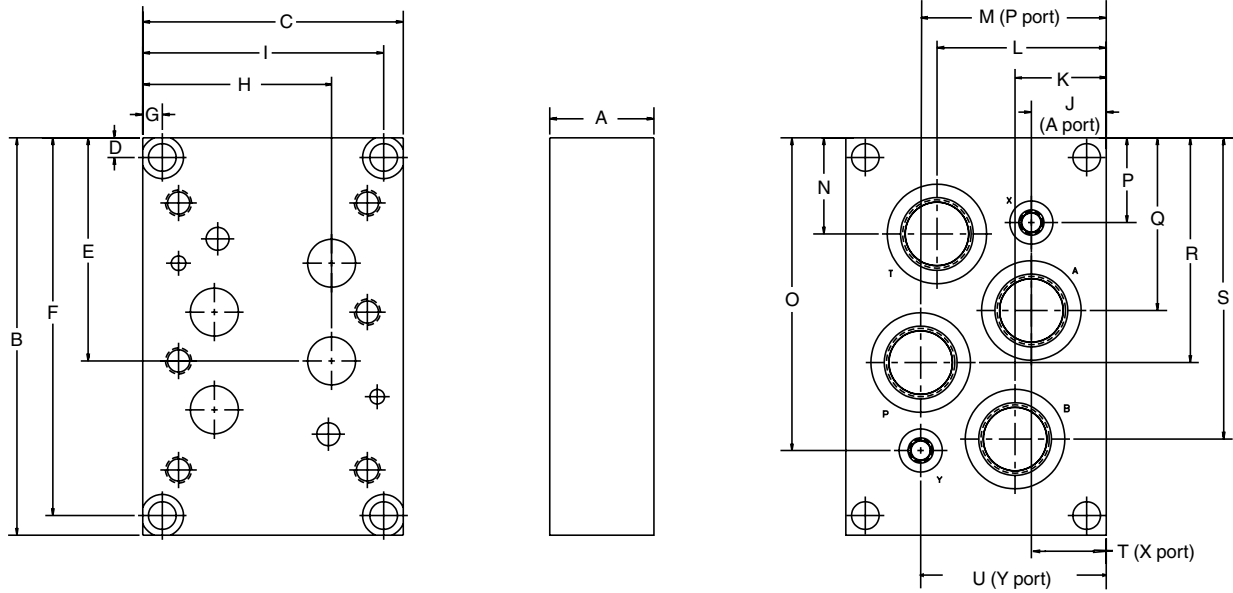
Inch equivalents for millimeter dimensions are shown in (**)



Size	A	B	C	D	E	F	G	H	I	J	K	L	M	N	O	P
SPD68*A*	50.8	155.7	114.3	30.2	64.3	115.1	25.4	25.4	12.7	89.7	142.7	57.2	85.9	40.4	91.2	125.5
SPD66NA*	(2.00)	(6.13)	(4.50)	(1.19)	(2.53)	(4.53)	(1.00)	(1.00)	(0.50)	(3.53)	(5.62)	(2.25)	(3.38)	(1.59)	(3.59)	(4.94)
SPD610*A*	76.2	165.1	127.0	33.3	59.2	121.2	28.7	60.5	12.7	94.5	152.4	63.5	92.2	43.9	105.9	131.8
	(3.00)	(6.50)	(5.00)	(1.31)	(2.33)	(4.77)	(1.13)	(2.38)	(0.50)	(3.72)	(6.00)	(2.50)	(3.63)	(1.73)	(4.17)	(5.19)

See Mounting Bolt Kits for bolt information.

Series D6 and D8
Bottom Ported Subplate — NFPA D08
 Inch equivalents for millimeter dimensions are shown in (**)

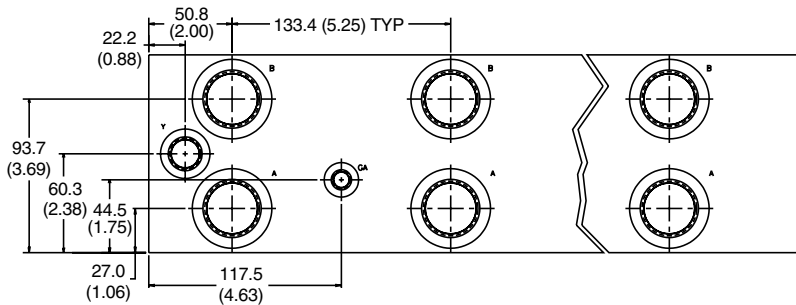
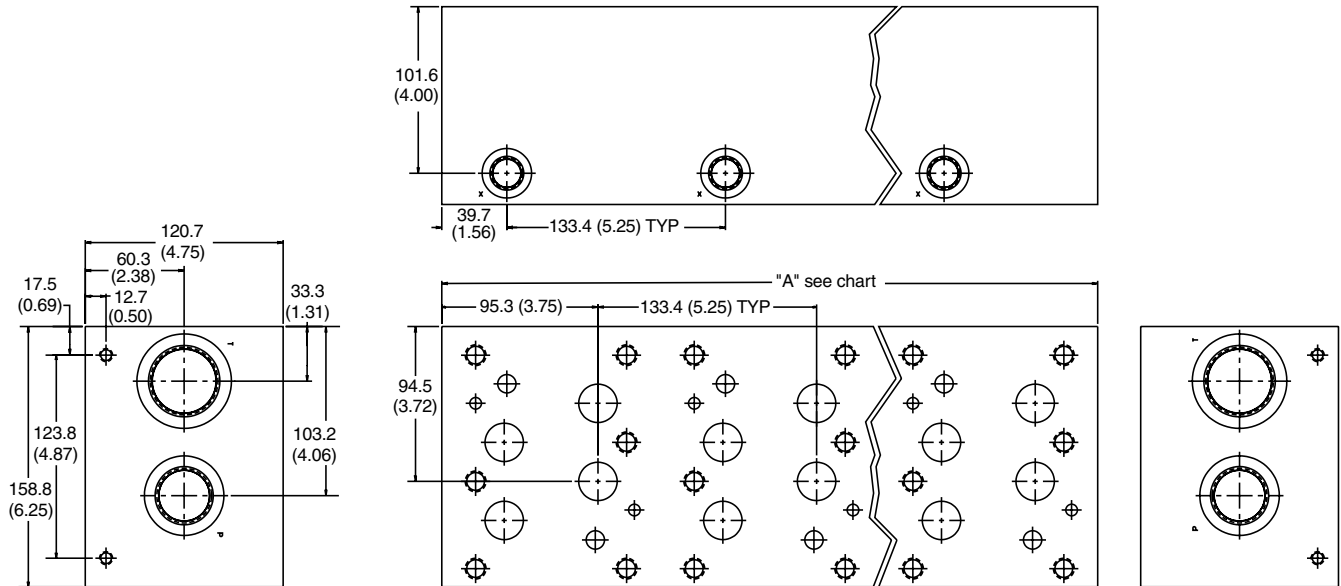


Size	A	B	C	D	E	F	G	H	I	J	K	L	M	N	O	P	Q	R	S	T	U
SPD68**	38.1	155.7	117.6	12.7	89.7	142.7	58.7	87.4	—	30.2	30.2	87.4	87.4	42.2	125.5	30.2	65.8	89.7	113.5	31.8	85.9
SPD66N*	(1.50)	(6.13)	(4.63)	(0.50)	(3.53)	(5.62)	(2.31)	(3.44)	—	(1.19)	(1.19)	(3.44)	(3.44)	(1.66)	(4.94)	(1.19)	(2.59)	(3.53)	(4.47)	(1.25)	(3.38)
SPD610**	50.8	193.8	127.0	9.7	108.7	184.2	9.7	92.2	117.6	36.6	44.5	82.6	90.4	46.7	152.4	41.4	84.1	109.5	146.8	36.6	90.4
	(2.00)	(7.63)	(5.00)	(0.38)	(4.28)	(7.25)	(0.38)	(3.63)	(4.63)	(1.44)	(1.75)	(3.25)	(3.56)	(1.84)	(6.00)	(1.63)	(3.31)	(4.31)	(5.78)	(1.44)	(3.56)

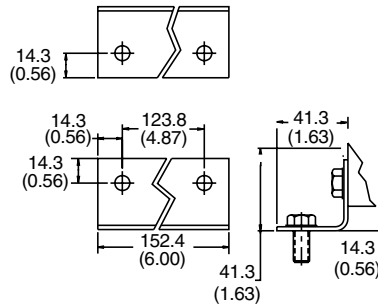
See Mounting Bolt Kits for bolt information.

Series D6 and D8
Manifold — NFPA D08

Inch equivalents for millimeter dimensions are shown in (**)



Note: Gage port not available on single station manifold.



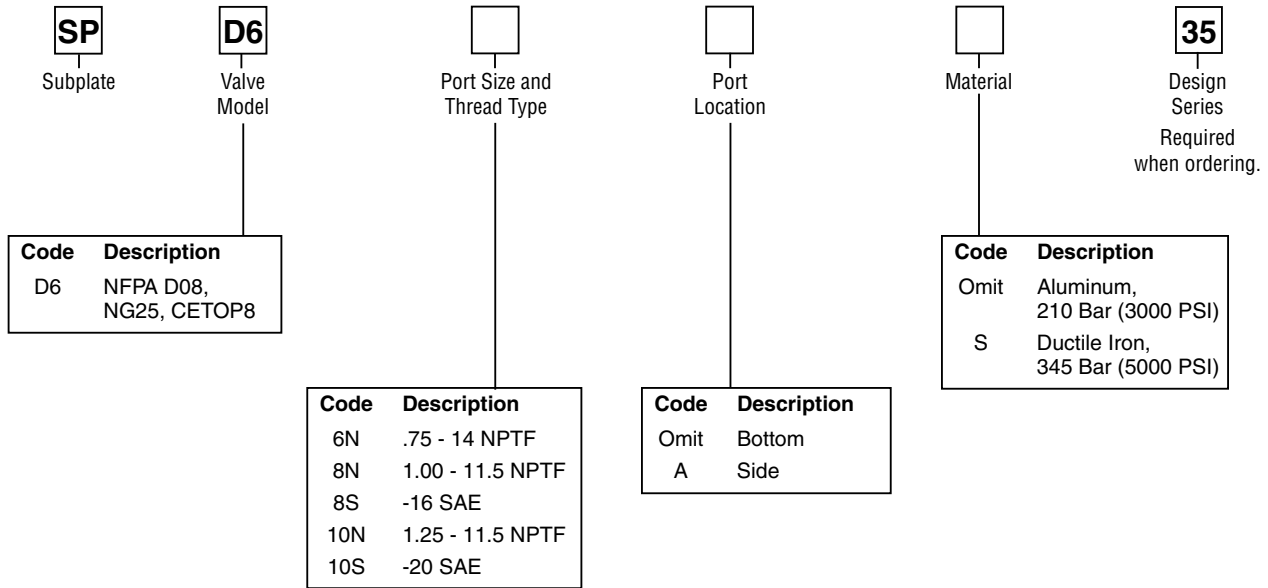
Mounting Hardware

(See Ordering Information for Mounting Hardware details)

No. of Stations	1	2	3	4	5
"A" Length mm (inch)	133.35 (5.25)	266.7 (10.50)	400.05 (15.75)	533.4 (21.00)	666.75 (26.25)
Weight Alum. kg (lbs.)	5 (12)	11 (24)	16 (35)	22 (49)	28 (61)
Weight Iron kg (lbs.)	20 (45)	41 (90)	62 (136)	82 (181)	103 (226)

See Mounting Bolt Kits for bolt information.

Series D6 and D8 Subplates



Mounting Hardware
 supplied with subplate includes:

Subplates	Mounting Hardware	Qty.
SPD66NA*	.50-13 UNC x	2
SPD68NA*	1.75 LG. SHCS	
SPD68SA*		
SPD610NA*	.50-13 UNC x	2
SPD610SA*	3.00 LG. SHCS	
SPD66N*	.50-13 UNC x	2
SPD68N*	1.50 LG. SHCS	
SPD68S*		
SPD610N*	.38-16 UNC x	4
SPD610S*	2.00 LG. SHCS	

Valve mounting threads:
 0.50-13 UNC x 1.19 DP.
 Used for SAE and NPTF ports.

Note: 35 Design Series subplates conform to NFPA mounting pattern specifications, but may be dimensionally different from previous design series.

Mounting Bolt Kits

UNC Bolt Kits for use with D6 and D8 Directional Control Valves & Sandwich Valves				
	Number of Sandwich Valves @ 2.75" (70mm) thickness			
	0	1	2	3
D6	BK227 2.50"	BK121 5.25"	BK122 8.00"	BK123 10.75"
D6 plus tapping plate	BK161 3.50"	BK170 6.25"	BK171 9.00"	BK172 11.75"
D8	BK228 3.00"	BK131 5.75"	BK132 8.50"	BK133 11.25"
D8 plus tapping plate	BK173 4.00"	BK174 6.75"	BK175 9.50"	BK114 12.125"

Note: All bolts are SAE grade 8, 1/2-13 UNC-3A thread, torque to 133 N.m. (100 ft.-lbs.)



Series D6 and D8 Manifolds

SP

Manifold

Number of
 Stations

D6

Valve
 Model

Port Size and
 Thread Type

Material

35

Design
 Series

Required
 when ordering.

Code	Description
1	No. of Stations
2	No. of Stations
3	No. of Stations
4	No. of Stations
5	No. of Stations

Code	Description
D6	NFPA D08, NG25, CETOP8

Code	Description
Omit	Aluminum, 210 Bar (3000 PSI)
S	Ductile Iron, 345 Bar (5000 PSI)

Code	Description	Port Size					Gage
		P, A, B	T	Y	X (opt.)		
N*	NPTF	1.00	1.25	.38	.25	.25	
S**	SAE	-16	-20	-8	-4	-6	

Mounting hardware supplied with manifold includes:
 (2) steel brackets
 For SAE and NPTF ports:
 (8) 1/2-13 UNC x 1.00 HHCS
 (8) .50 SAE N Series washers

Valve mounting threads:
 0.50-13 UNC x 1.19 DP.
 Used for SAE and NPTF ports.

* 0.25-18 NPT gage port plug included.
 ** -6 SAE gage port plug included.

Note: 35 Design Series manifolds conform to NFPA mounting pattern specifications, but may be dimensionally different from previous design series.

No. Stations	1	2	3	4	5
Wgt., Alum, kg (lbs.)	5.5 (12)	11.0 (24)	16.0 (35)	22.4 (49)	27.9 (61)
Wgt., Iron, kg (lbs.)	20.6 (45)	41.1 (90)	62.2 (136)	82.7 (181)	103.3 (226)

Mounting Bolt Kits

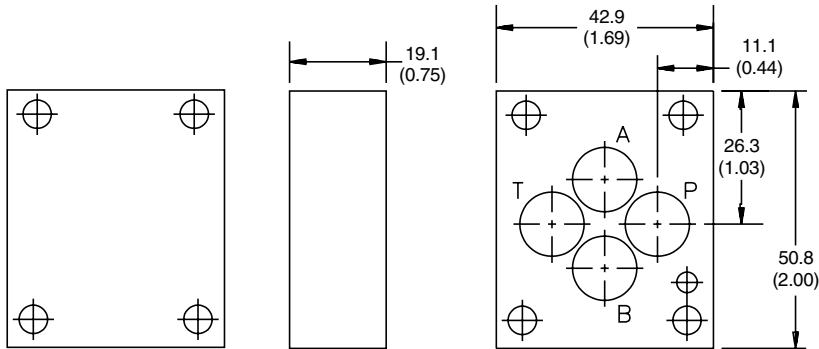
UNC Bolt Kits for use with D6 and D8 Directional Control Valves & Sandwich				
	Number of Sandwich @ 2.75" (70mm) thickness			
	0	1	2	3
D6	BK227 2.50"	BK121 5.25"	BK122 8.00"	BK123 10.75"
D6 plus tapping plate	BK161 3.50"	BK170 6.25"	BK171 9.00"	BK172 11.75"
D8	BK228 3.00"	BK131 5.75"	BK132 8.50"	BK133 11.25"
D8 plus tapping plate	BK173 4.00"	BK174 6.75"	BK175 9.50"	BK114 12.125"

Note: All bolts are SAE grade 8, 1/2-13 UNC-3A thread, torque to 133 N.m. (100 ft.-lbs.)

Dimensions

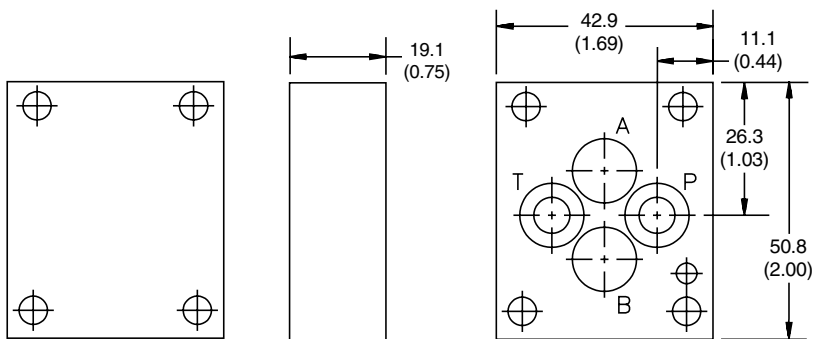
Inch equivalents for millimeter dimensions are shown in (**)

Cover Plate — NFPA D03



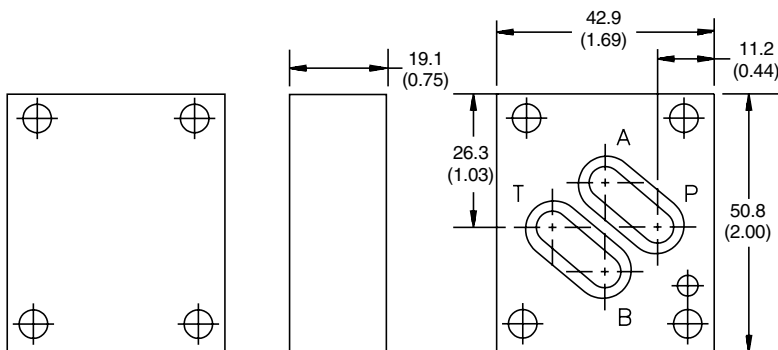
Note:
 Mounting hardware supplied with cover plate.
 Includes:
 2-012V-7 O-ring, Qty. 4
 ∅0.12 x .25 long locating pin, Qty. 1
 10-24 UNC x 1.00 long SHCS, Qty. 4 (SPD2C1EN) or
 M5-0.8 x 25 mm long SHCS, Qty. 4 (SPD2C1MN)

Crossover Plate, P→T ports — NFPA D03



Note:
 Mounting hardware supplied with crossover plate.
 Includes:
 2-012V-7 O-ring, Qty. 4
 ∅0.12 x .25 long locating pin, Qty. 1
 10-24 UNC x 1.00 long SHCS, Qty. 4 (SPD2D1EN) or
 M5-0.8 x 25 mm long SHCS, Qty. 4 (SPD2D1MN)

Crossover Plate, P→A and B→T ports — NFPA D03

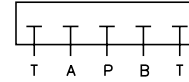
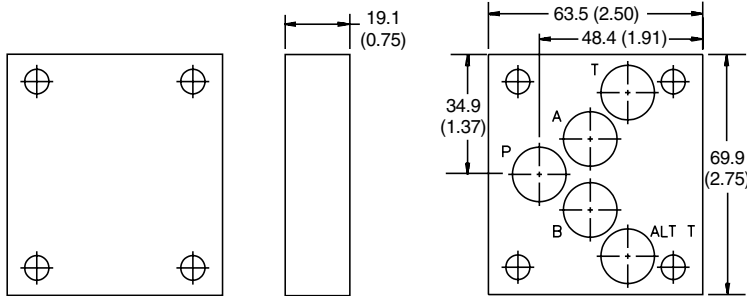
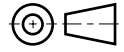


Note:
 Mounting hardware supplied with cover plate.
 Includes:
 2-016V-7 O-ring, Qty. 2
 ∅0.12 x .25 long locating pin, Qty. 1
 10-24 UNC x 1.00 long SHCS, Qty. 4 (SPD2A1EN) or
 M5-0.8 x 25 mm long SHCS, Qty. 4 (SPD2A1MN)

Dimensions

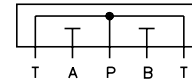
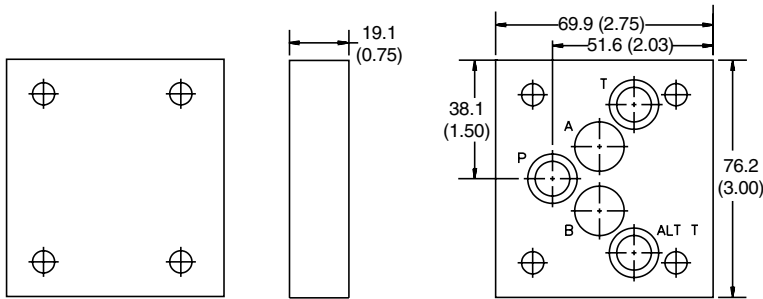
Inch equivalents for millimeter dimensions are shown in (**)

Cover Plate — NFPA D05



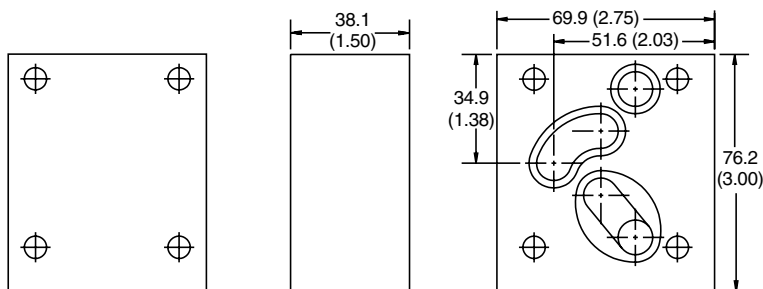
Note:
 Mounting hardware supplied with cover plate.
 Includes:
 2-014V-7 O-ring, Qty. 5
 0.25-20 UNC x 1.25 long SHCS, Qty. 4 (SPD3C1EN) or
 M6-1.0 x 30 mm long SHCS, Qty. 4 (SPD3C1MN)

Crossover Plate, P→T ports — NFPA D05



Note:
 Mounting hardware supplied with crossover plate.
 Includes:
 2-014V-7 O-ring, Qty. 5
 0.25-20 UNC x 1.25 long SHCS, Qty. 4 (SPD3D1EN) or
 M6-1.0 x 30 mm long SHCS, Qty. 4 (SPD3D1MN)

Crossover Plate, P→A and B→T ports — NFPA D05

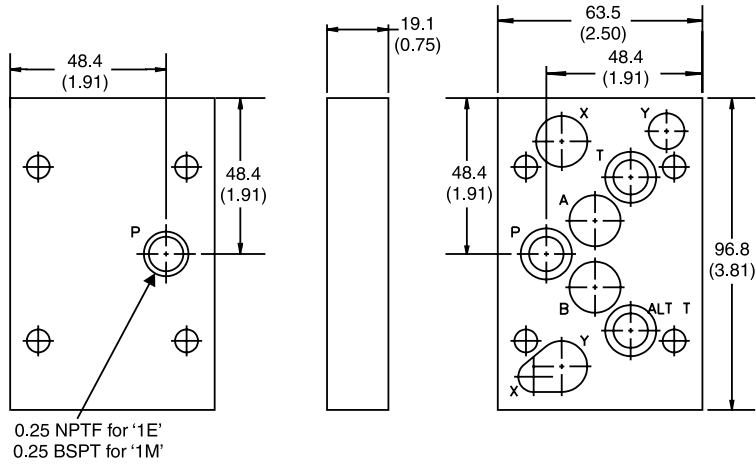


Note:
 Mounting hardware supplied with crossover plate.
 Includes:
 2-014V-7 O-ring, Qty. 1
 2-022V-7 +O-ring, Qty. 2
 0.25-20 UNC x 2.00 long SHCS, Qty. 4 (SPD3A1EN) or
 M6-1.0 x 50 mm long SHCS, Qty. 4 (SPD3A1MN)

Dimensions

Inch equivalents for millimeter dimensions are shown in (**)

Cover Plate — NFPA D05H



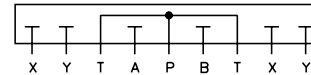
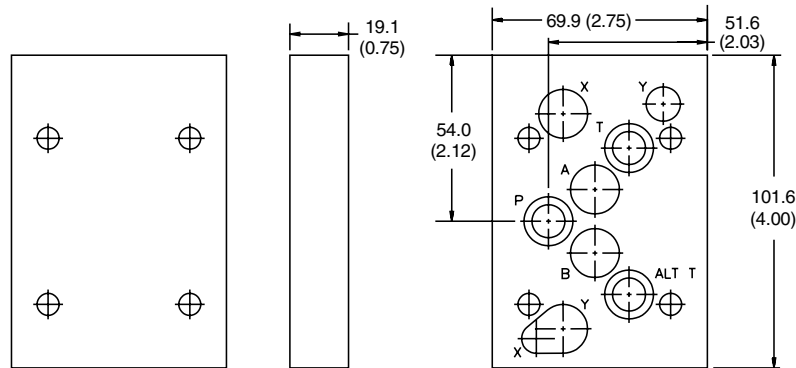
Note:

Mounting hardware supplied with cover plate.

Includes:

- 2-011V-7 O-ring, Qty. 1
- 2-014V-7 O-ring, Qty. 6
- 2-016V-7 O-ring, Qty. 1
- 0.25-18 NPTF plug, Qty. 1 (SPD31VC1EN only)
- 0.25-20 UNC x 1.25 long SHCS, Qty. 4 (SPD31VC1EN) or
- M6-1.0 x 30 mm long SHCS, Qty. 4 (SPD31VC1MN)

Crossover Plate, P → T ports — NFPA D05H



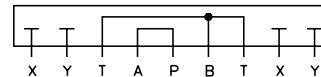
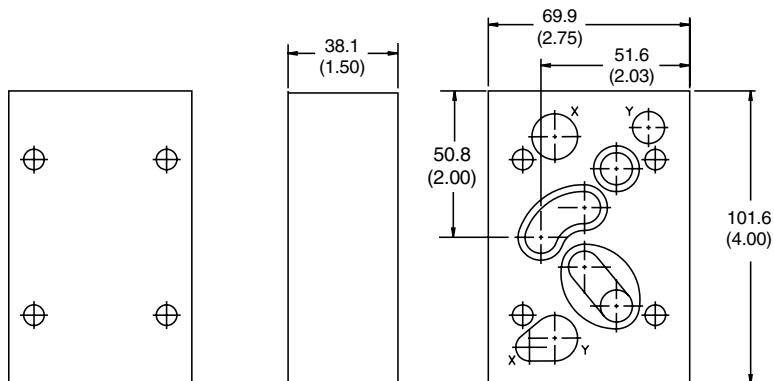
Note:

Mounting hardware supplied with crossover plate.

Includes:

- 2-011V-7 O-ring, Qty. 1
- 2-014V-7 O-ring, Qty. 6
- 2-016V-7 O-ring, Qty. 1
- 0.25-20 UNC x 1.25 long SHCS, Qty. 4 (SPD31VD1EN) or
- M6-1.0 x 30 mm long SHCS, Qty. 4 (SPD31VD1MN)

Crossover Plate, P → A and B → T ports — NFPA D05H



Note:

Mounting hardware supplied with crossover plate.

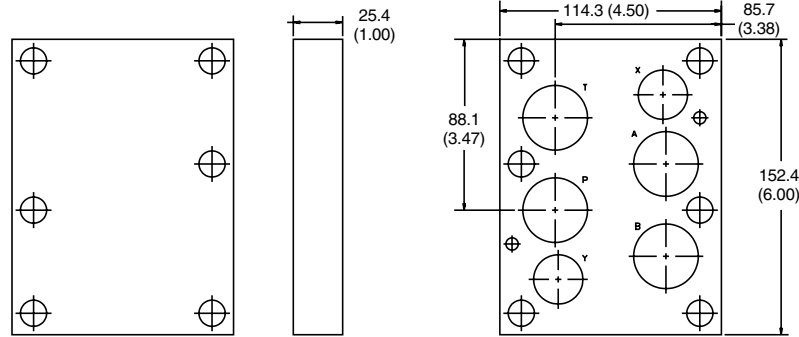
Includes:

- 2-011V-7 O-ring, Qty. 1
- 2-014V-7 O-ring, Qty. 2
- 2-016V-7 O-ring, Qty. 1
- 2-022V-7 O-ring, Qty. 2
- 0.25-20 UNC x 2.00 long SHCS, Qty. 4 (SPD31VA1EN) or
- M6-1.0 x 50 mm long SHCS, Qty. 4 (SPD31VA1MN)

Dimensions

Inch equivalents for millimeter dimensions are shown in (**)

Cover Plate — NFPA D08



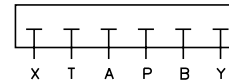
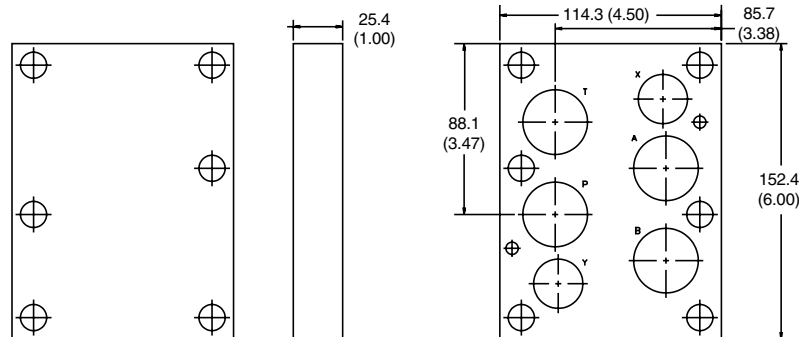
Note:

Mounting hardware supplied with cover plate.

Includes:

- 2-210V-7 O-ring, Qty. 2
- 2-215V-7 O-ring, Qty. 4
- 0.50-13 UNC x 1.75 long SHCS, Qty. 6 (SPD6C1EN) or M12-1.75 x 45 mm long SHCS, Qty. 6 (SPD6C1MN)
- 0.25 x 0.50 long locating pins, Qty. 2

Crossover Plate, P → T ports — NFPA D08



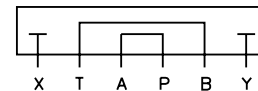
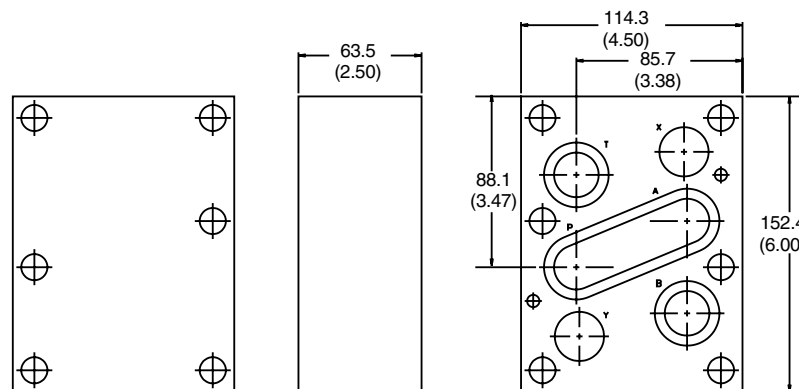
Note:

Mounting hardware supplied with cover plate.

Includes:

- 2-210V-7 O-ring, Qty. 2
- 2-215V-7 O-ring, Qty. 4
- 0.50-13 UNC x 1.75 long SHCS, Qty. 6 (SPD6C1EN) or M12-1.75 x 45 mm long SHCS, Qty. 6 (SPD6C1MN)
- 0.25 x 0.50 long locating pins, Qty. 2

Crossover Plate, P → A and B → T ports — NFPA D08



Note:

Mounting hardware supplied with crossover plate.

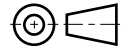
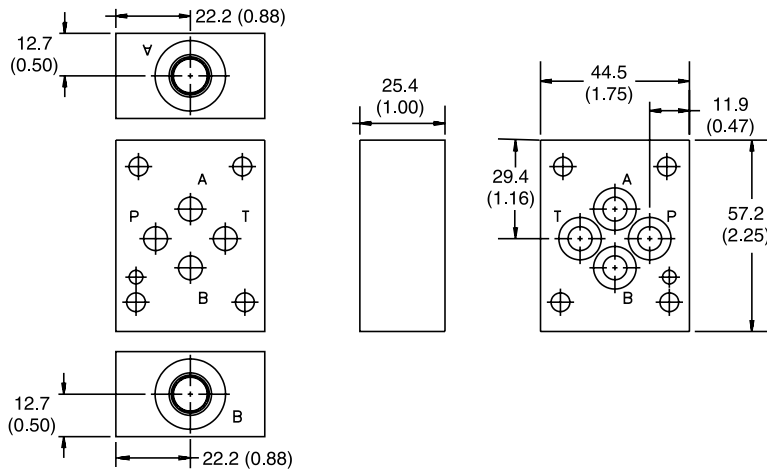
Includes:

- 2-210V-7 O-ring, Qty. 2
- 2-215V-7 O-ring, Qty. 2
- 2-231V-7 O-ring, Qty. 1
- 0.50-13 UNC x 3.50 long SHCS, Qty. 6 (SPD6A1EN) or M12-1.75 x 90 mm long SHCS, Qty. 6 (SPD6A1MN)
- 0.25 x 0.50 long locating pins, Qty. 2

Dimensions

Inch equivalents for millimeter dimensions are shown in (**)

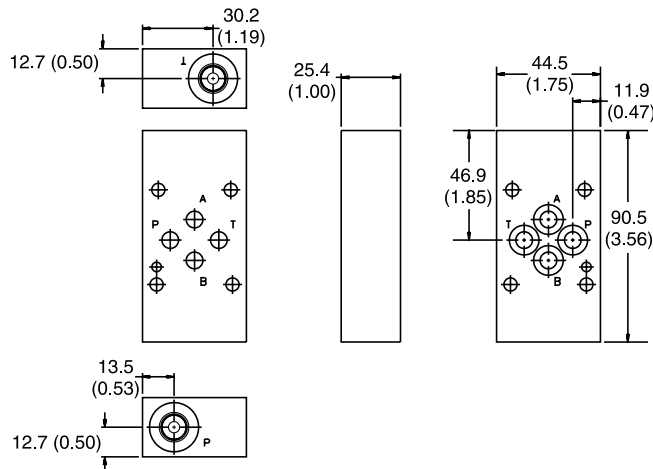
Tapping Plate, A and B ports — NFPA D03



Note:
 Interface seal kit provided with tapping plate.
 Includes:
 2-012V-7 O-ring, Qty. 4
 Ø0.12 x .25 long locating pin, Qty. 1
 0.25-18 NPTF Plug, Qty. 1 (NPTF port only)
 -4 SAE Hex Socket Plug, Qty., 1 (SAE port only)

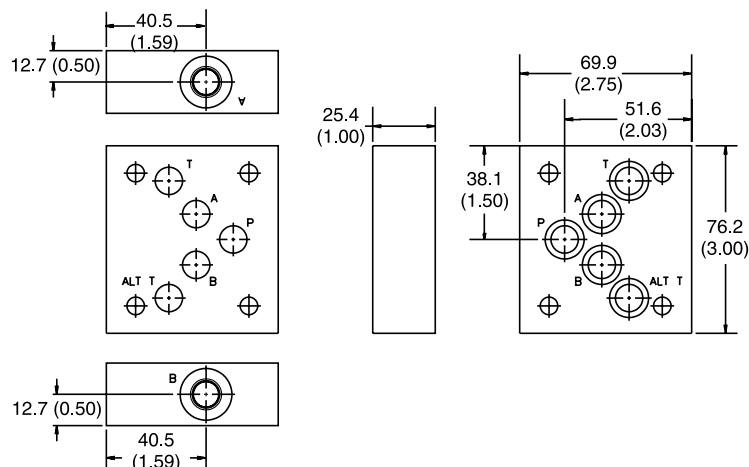


Tapping Plate, P and T ports — NFPA D03



Note:
 Interface seal kit provided with tapping plate.
 Includes:
 2-012V-7 O-ring, Qty. 4
 Ø0.12 x .25 long locating pin, Qty. 1
 0.25-18 NPTF Plug, Qty. 1 (NPTF port only)
 -4 SAE Hex Socket Plug, Qty., 1 (SAE port only)

Tapping Plate, A and B ports — NFPA D05

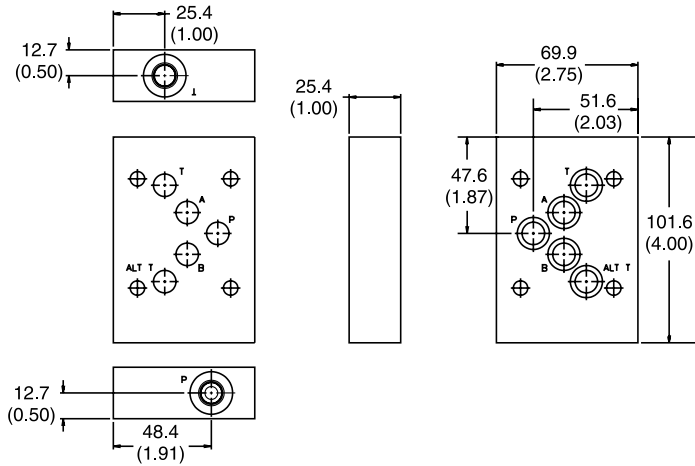


Note:
 Interface seal kit provided with tapping plate.
 Includes:
 2-014V-7 O-ring, Qty. 5
 0.25-18 NPTF Plug, Qty. 1 (NPTF port only)
 -4 SAE Hex Socket Plug, Qty., 1 (SAE port only)

Dimensions

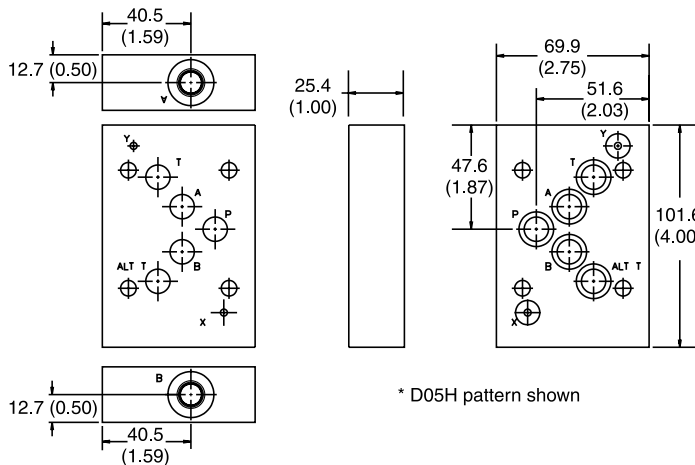
Inch equivalents for millimeter dimensions are shown in (**)

Tapping Plate, P and T ports — NFPA D05



Note:
 Interface seal kit provided with tapping plate.
 Includes:
 2-014V-7 O-ring, Qty. 5
 0.25-18 NPTF Plug, Qty. 1 (NPTF port only)
 -4 SAE Hex Socket Plug, Qty., 1 (SAE port only)

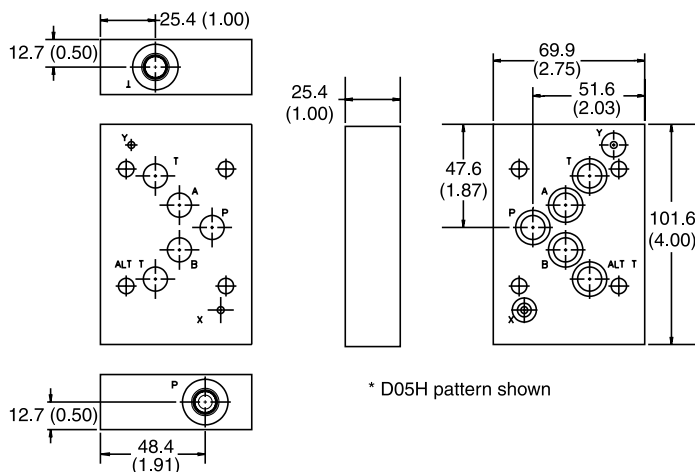
Tapping Plate, A and B ports — NFPA D05H and D05HE (E)



* D05H pattern shown

Note:
 Interface seal kit provided with tapping plate.
 Includes:
 SPD31VT2*W* :
 2-011V-7 O-ring, Qty. 2
 2-014V-7 O-ring, Qty. 5
 SPD31DT2*W*:
 2-014V-7 O-ring, Qty. 7
 0.25-18 NPTF Plug, Qty. 1 (NPTF port only)
 -4 SAE Hex Socket Plug, Qty., 1 (SAE port only)

Tapping Plate, P and T ports — NFPA D05H and D05HE



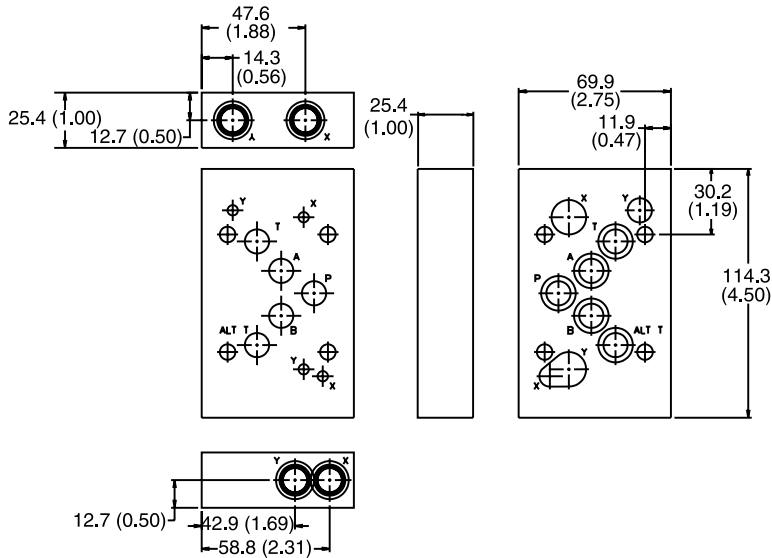
* D05H pattern shown

Note:
 Interface seal kit provided with tapping plate.
 Includes:
 SPD31VT2*P*:
 2-011V-7 O-ring, Qty. 2
 2-014V-7 O-ring, Qty. 5
 SPD31DT2*P*:
 2-014V-7 O-ring, Qty. 7
 0.25-18 NPTF Plug, Qty. 1 (NPTF port only)
 -4 SAE Hex Socket Plug, Qty., 1 (SAE port only)

Dimensions

Inch equivalents for millimeter dimensions are shown in (**)

Tapping Plate, X and Y ports — NFPA D05H and D05HE



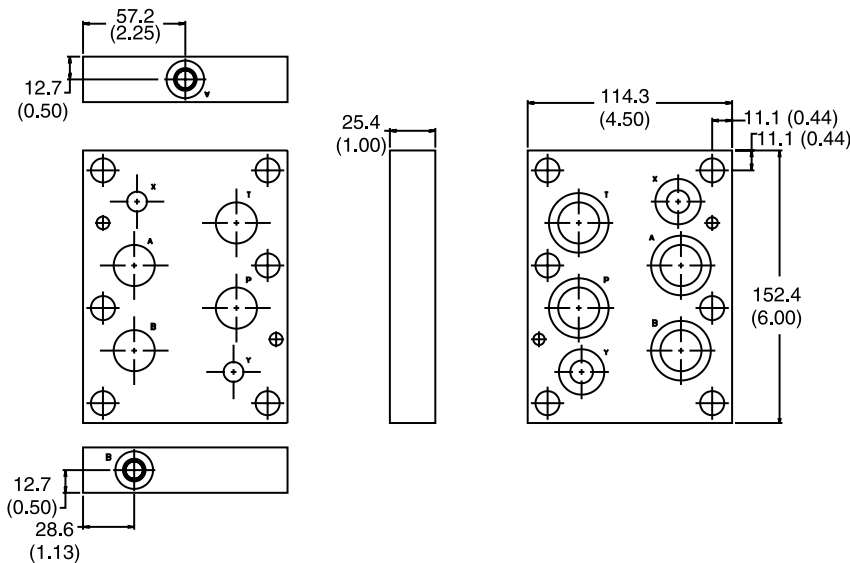
Note:

Interface seal kit provided with tapping plate.

Includes:

- 2-011V-7 O-ring, Qty. 1
- 2-014V-7 O-ring, Qty. 6
- 2-016V-7 O-ring, Qty. 1
- 0.25-18 NPTF Plug, Qty. 3 (NPTF port only)
- 4 SAE Hex Socket Plug, Qty. 3 (SAE port only)

Tapping Plate, A and B ports — NFPA D08



Note:

Interface seal kit provided with tapping plate.

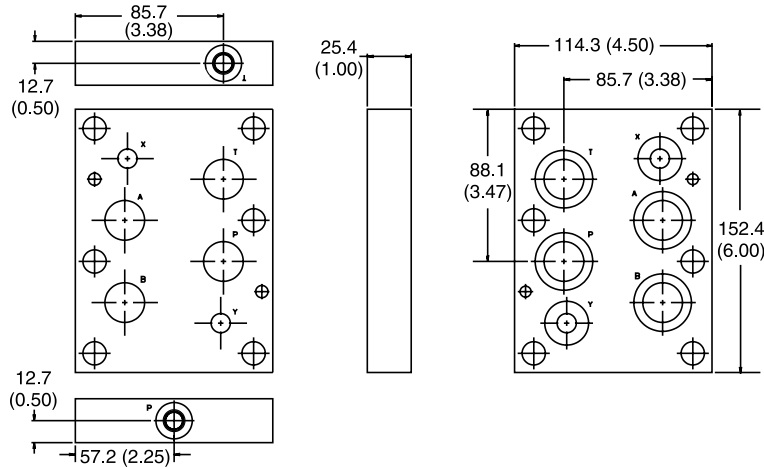
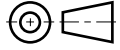
Includes:

- 2-210V-7 O-ring, Qty. 2
- 2-215V-7 O-ring, Qty. 4
- ∅.25 x .50 long locating pin, Qty. 2
- 0.25-18 NPTF Plug, Qty. 1 (NPTF port only)
- 4 SAE Hex Socket Plug, Qty. 1 (SAE port only)

Dimensions

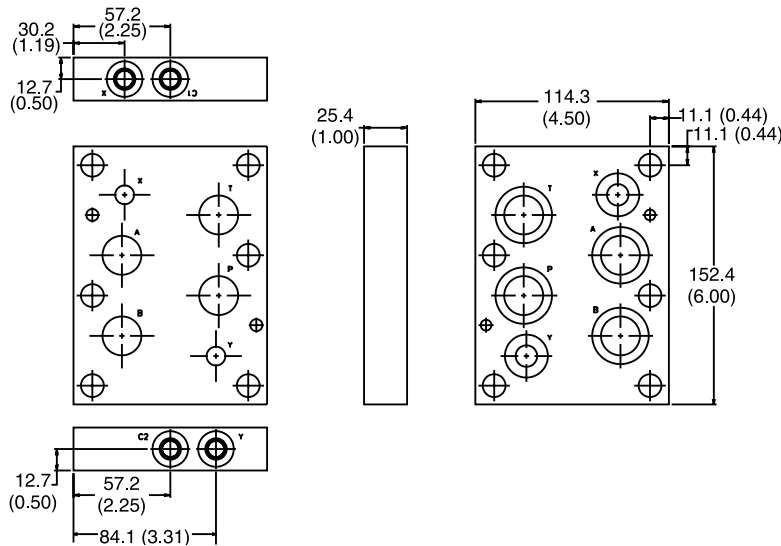
Inch equivalents for millimeter dimensions are shown in (**)

Tapping Plate, P and T ports — NFPA D08



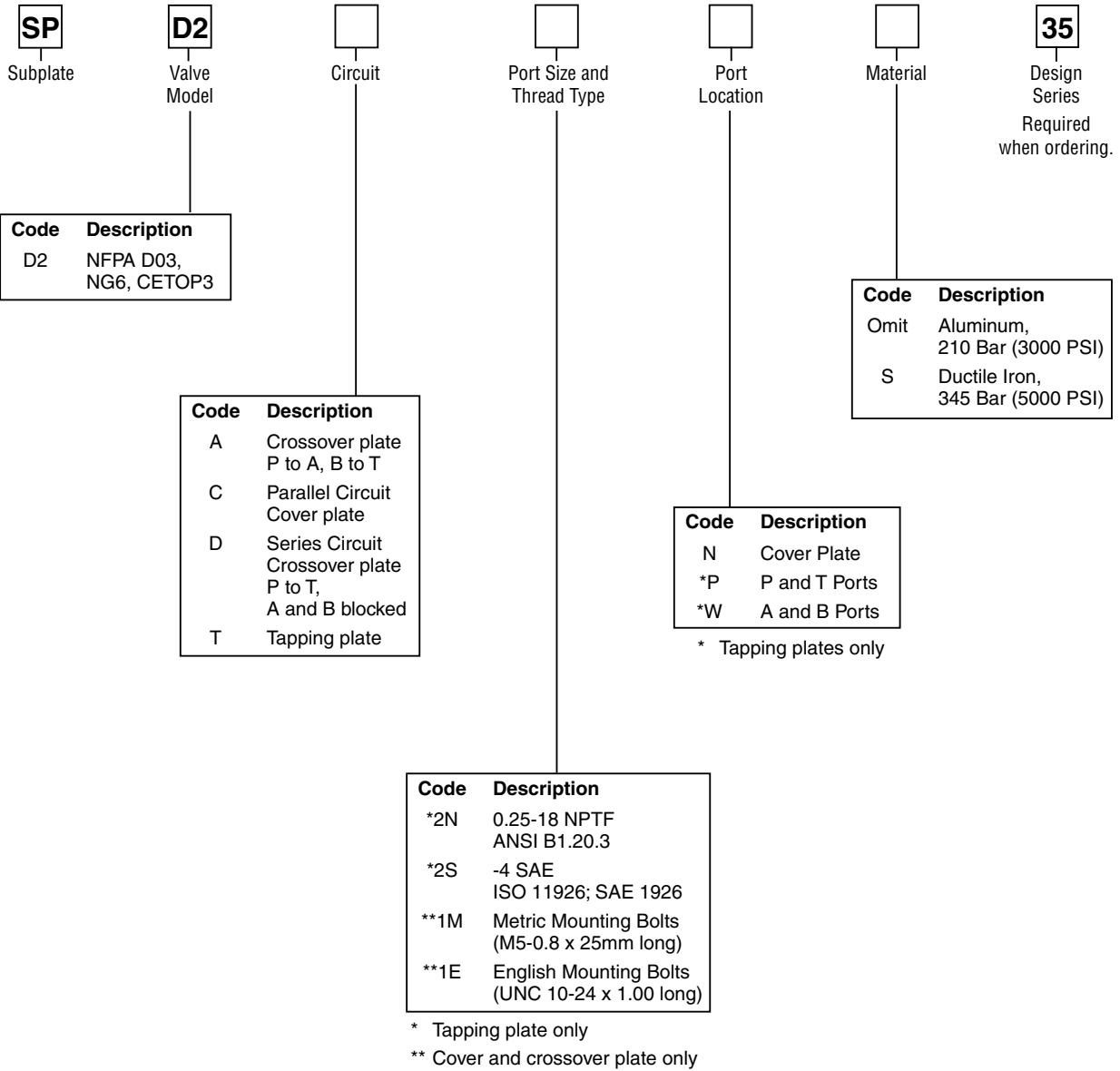
Note:
 Interface seal kit provided with tapping plate.
 Includes:
 2-210V-7 O-ring, Qty. 2
 2-215V-7 O-ring, Qty. 4
 ∅.25 x .50 long locating pin, Qty. 2
 0.25-18 NPTF Plug, Qty. 1 (NPTF port only)
 -4 SAE Hex Socket Plug, Qty. 1 (SAE port only)

Tapping Plate, X and Y ports — NFPA D08

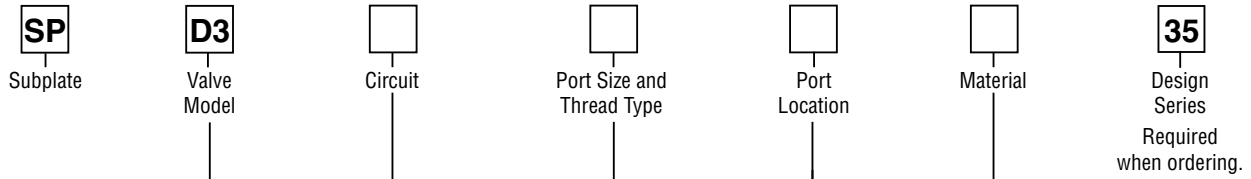


Note:
 Interface seal kit provided with tapping plate.
 Includes:
 2-210V-7 O-ring, Qty. 2
 2-215V-7 O-ring, Qty. 4
 ∅.25 x .50 long locating pin, Qty. 2
 0.25-18 NPTF Plug, Qty. 3 (NPTF port only)
 -4 SAE Hex Socket Plug, Qty. 3 (SAE port only)

**Ordering Information
 Series D1V Tapping and Cover Plates**



Ordering Information
Series D3 Tapping and Cover Plates



Code	Description
D3	NFPA D05, NG10, CETOP5

Code	Description
A	Crossover plate P to A, B to T
C	Parallel Circuit Cover plate
D	Series Circuit Crossover plate P to T, A and B blocked
T	Tapping plate

Code	Description
Omit	Aluminum, 210 Bar (3000 PSI)
S	Ductile Iron, 345 Bar (5000 PSI)

Code	Description
N	Cover Plate
*P	P and T Ports
*W	A and B Ports

* Tapping plates only

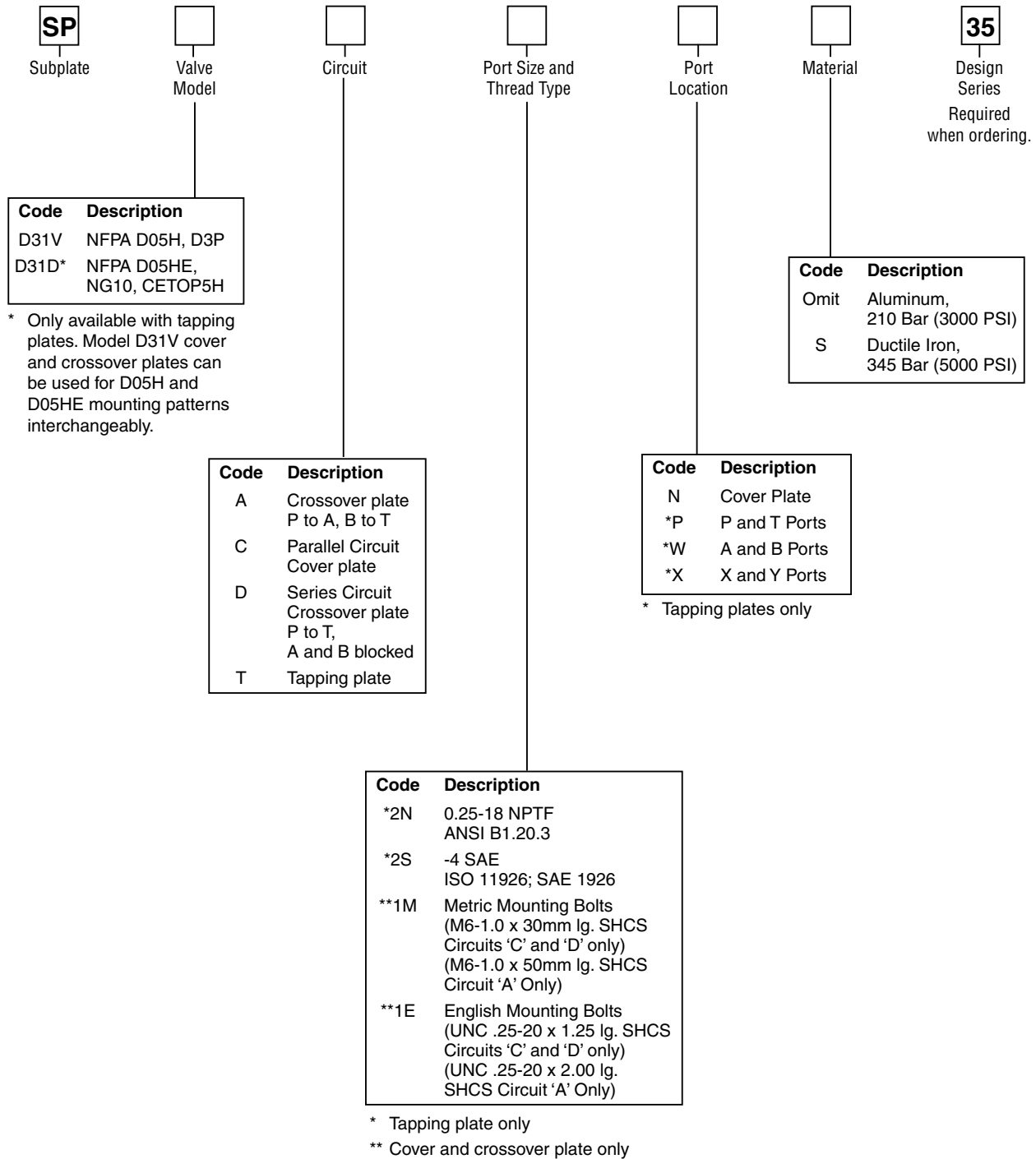
Code	Description
*2N	0.25-18 NPTF ANSI B1.20.3
*2S	-4 SAE ISO 11926; SAE 1926
**1M	Metric Mounting Bolts (M6-1.0 x 30mm lg. SHCS Circuits 'C' and 'D' only) (M6-1.0 x 50mm lg. SHCS Circuit 'A' Only)
**1E	English Mounting Bolts (UNC .25-20 x 1.25 lg. SHCS Circuits 'C' and 'D' only) (UNC .25-20 x 2.00 lg. SHCS Circuit 'A' Only)

* Tapping plate only

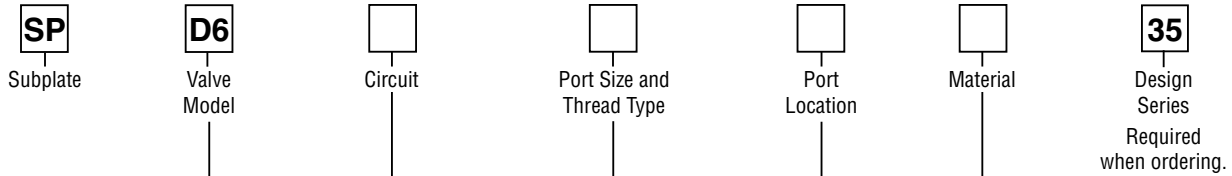
** Cover and crossover plate only



Ordering Information
Series D31 Tapping and Cover Plates



Ordering Information
Series D6 and D8 Tapping and Cover Plates



Code	Description
D6	NFPA D08, NG25, CETOP8

Code	Description
A	Crossover plate P to A, B to T
C	Parallel circuit Cover plate
D	Series circuit Crossover plate P to T, A and B blocked
T	Tapping plate

Code	Description
Omit	Aluminum, 210 Bar (3000 PSI)
S	Ductile Iron, 345 Bar (5000 PSI)

Code	Description
N	Cover Plate
*P	P and T Ports
*W	A and B Ports
*X	X and Y Ports

* Tapping plates only

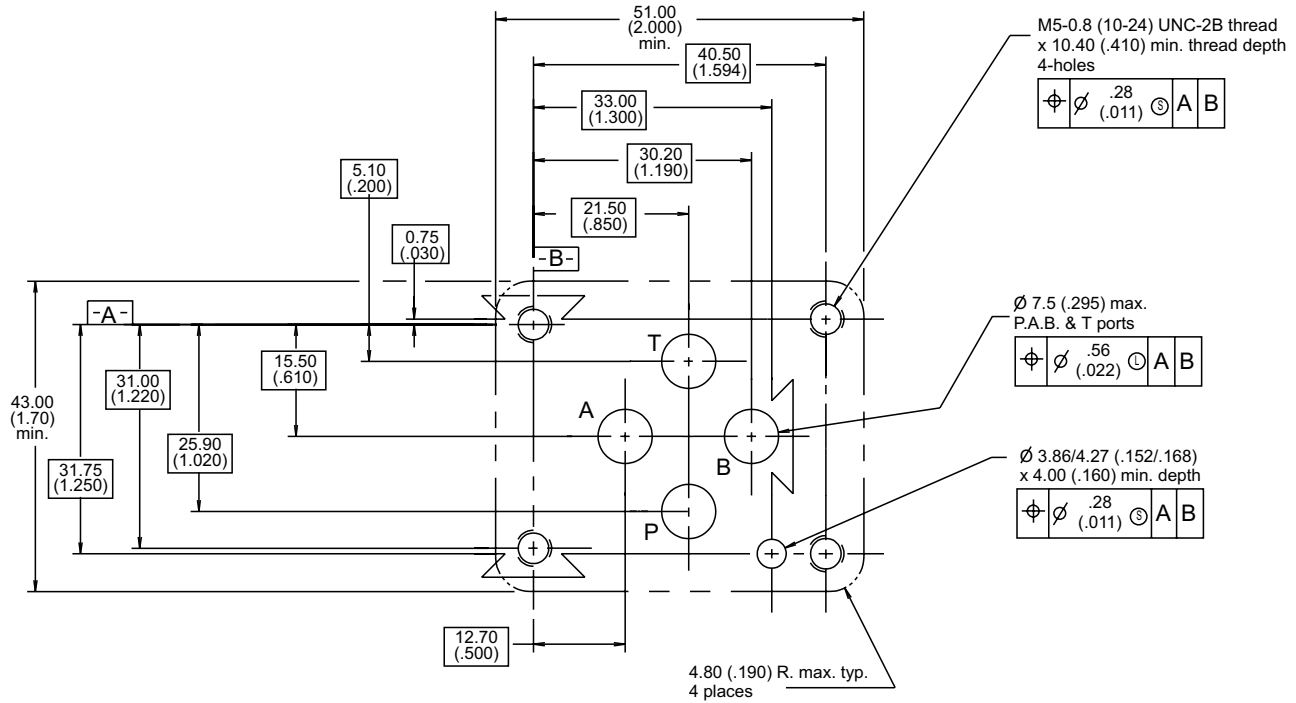
Code	Description
*2N	0.25-18 NPTF ANSI B1.20.3
*2S	-4 SAE ISO 11926; SAE 1926
**1M	Metric Mounting Bolts (M12-1.75 x 45mm lg. SHCS Circuit 'C' only) (M12-1.75 x 60mm lg. SHCS Circuit 'D' only) (M12-1.75 x 90mm lg. SHCS Circuit 'A' only)
**1E	English Mounting Bolts (UNC .50-13 x 1.75 lg. SHCS Circuit 'C' only) (UNC .50-13 x 2.25 lg. SHCS Circuit 'D' only) (UNC .50-13 x 3.50 lg. SHCS Circuit 'A' only)

* Tapping plate only
 ** Cover and crossover plate only



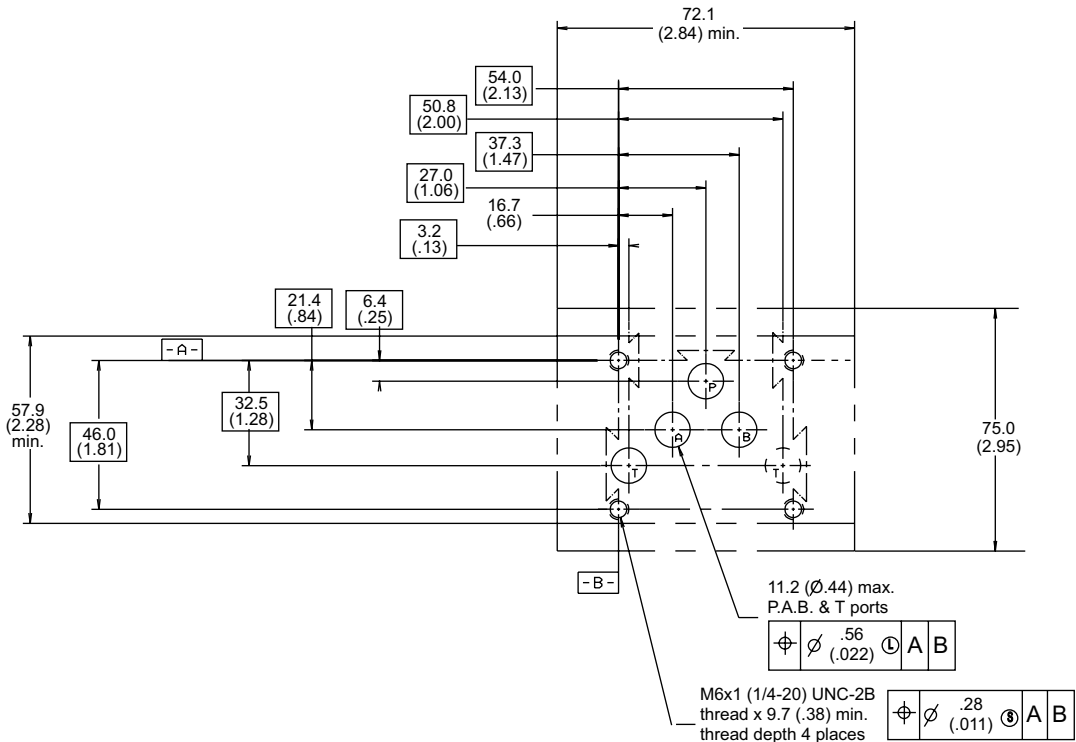
Mounting Pattern — NFPA D03, NG6, CETOP 3

Inch equivalents for millimeter dimensions are shown in (**)



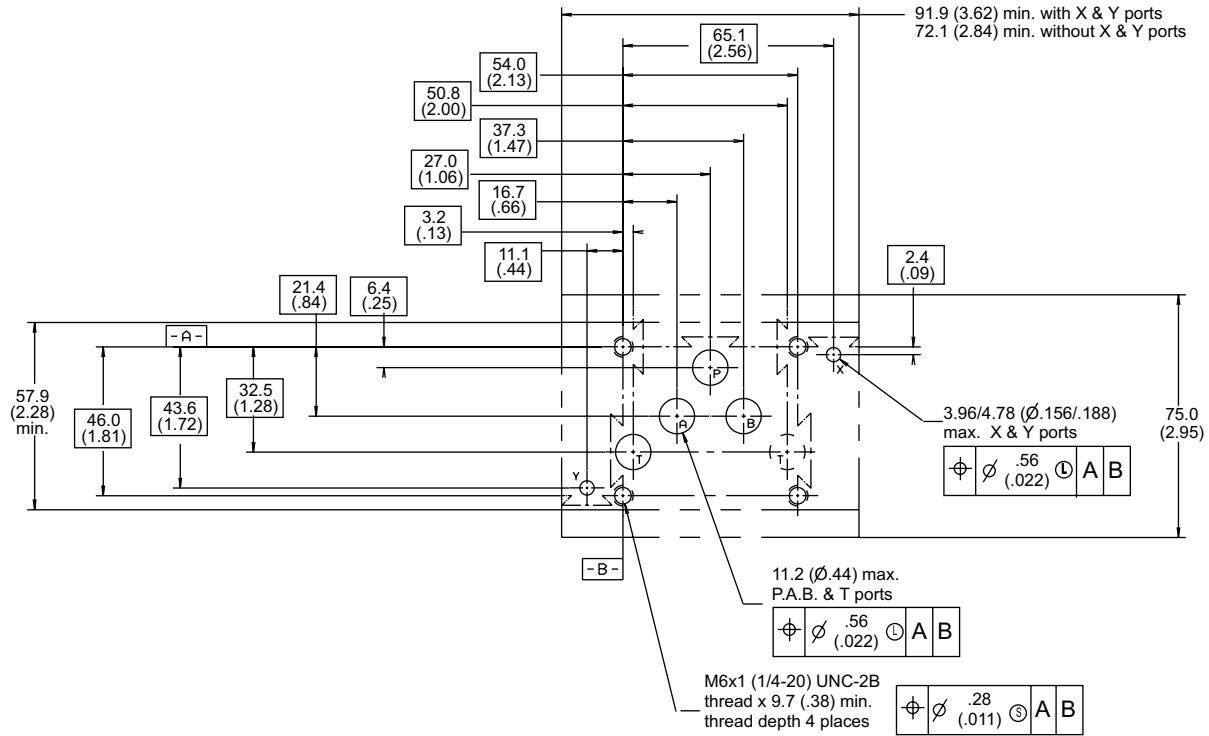
Mounting Pattern — NFPA D05, NG5, CETOP 5

Inch equivalents for millimeter dimensions are shown in (**)



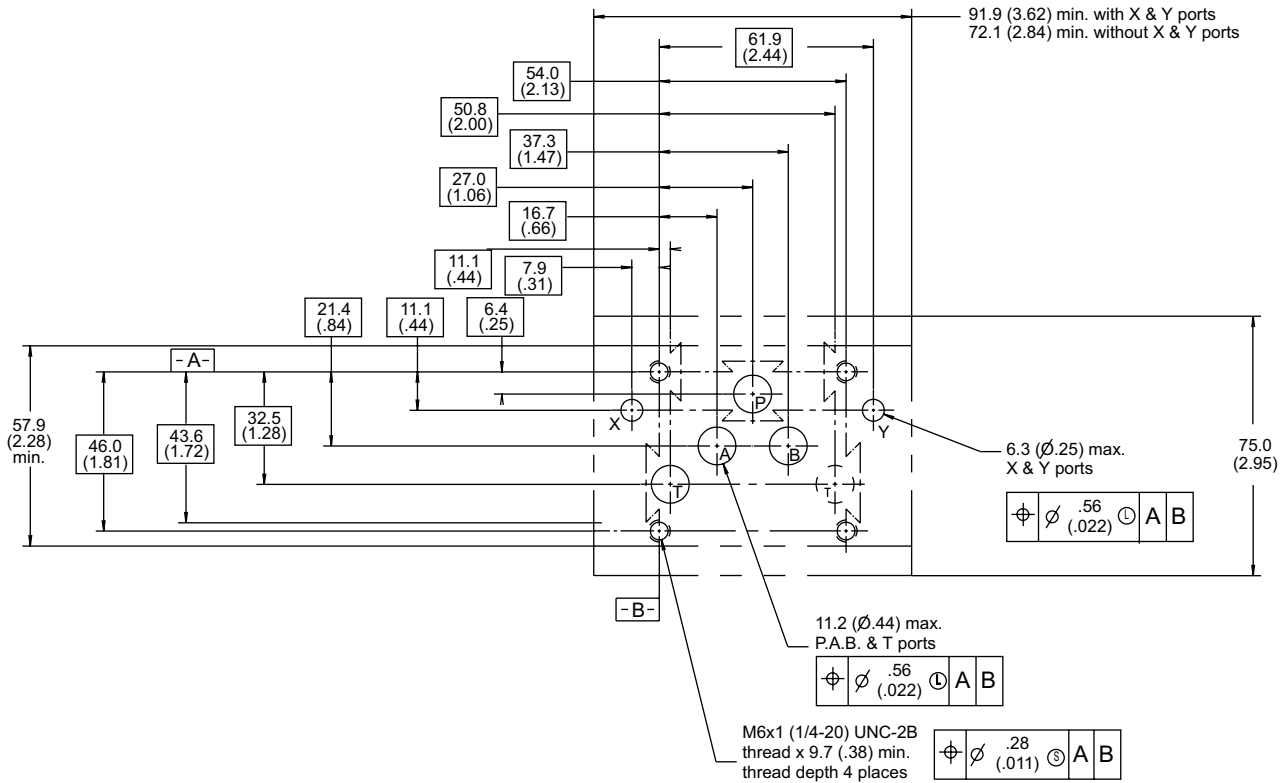
Mounting Pattern — NFPA D05H, NG10, CETOP 5H

Inch equivalents for millimeter dimensions are shown in (**)



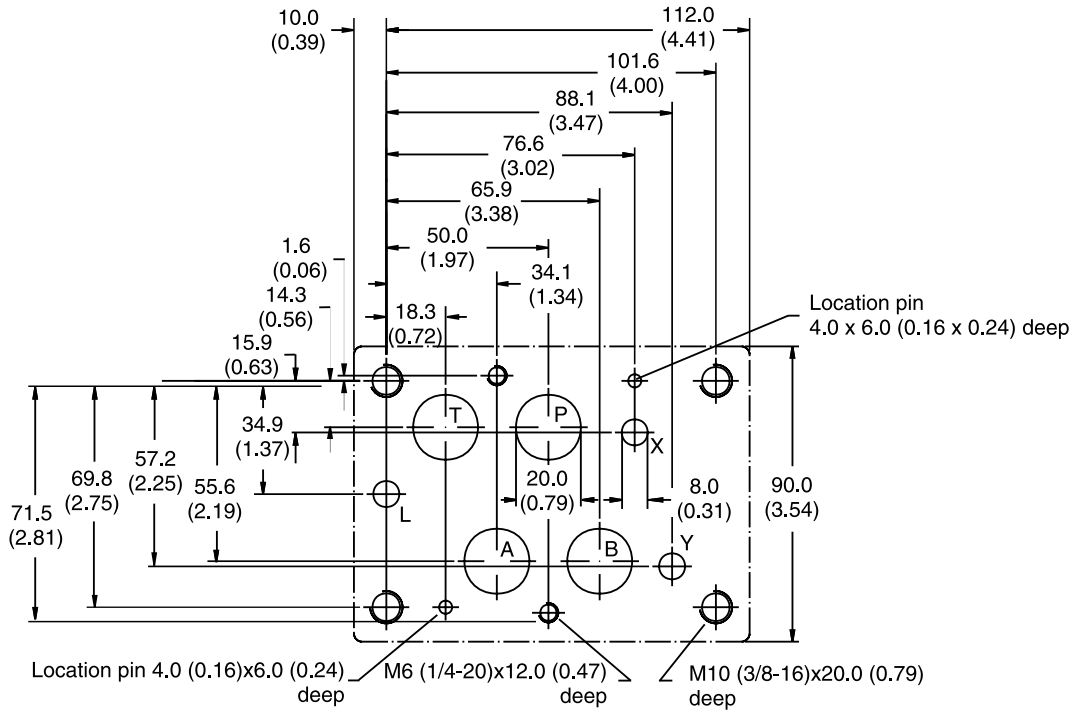
Mounting Pattern — NFPA D05HE, NG10, CETOP 5H

Inch equivalents for millimeter dimensions are shown in (**)



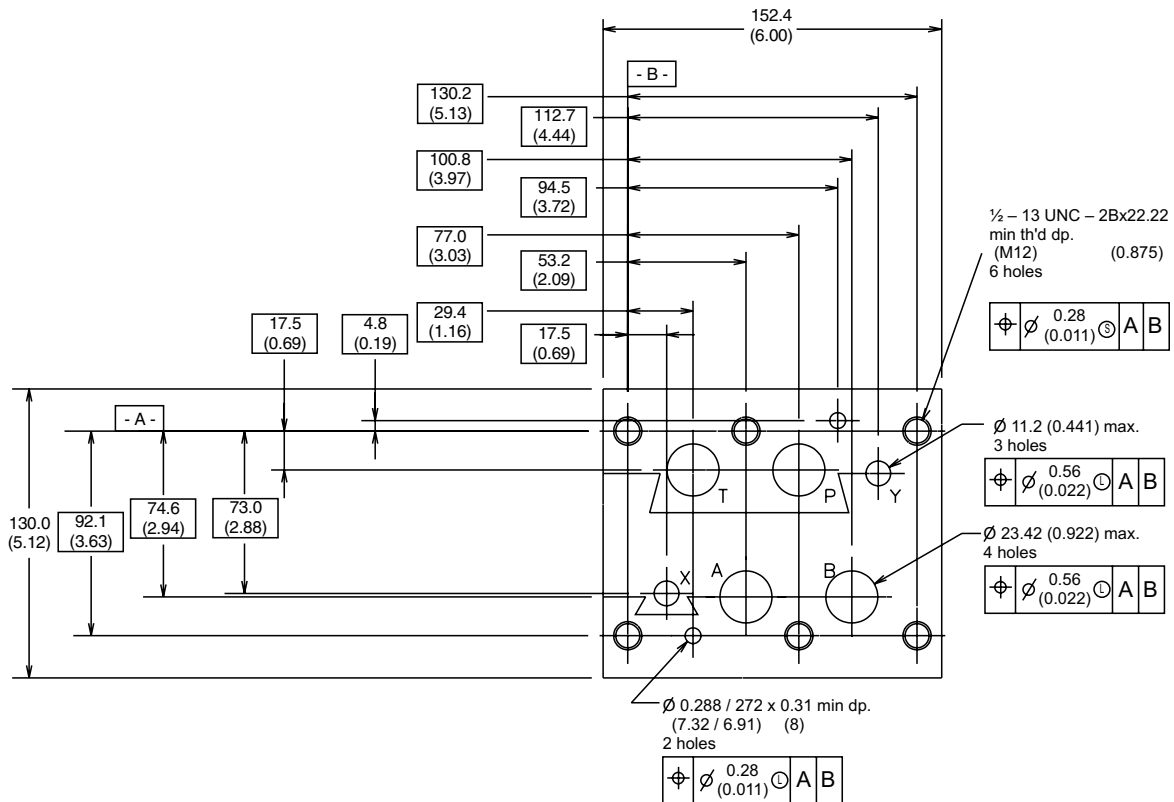
Mounting Pattern — NFPA D07, NG16, CETOP 7

Inch equivalents for millimeter dimensions are shown in (**)



Mounting Pattern — NFPA D08, NG25, CETOP 8

Inch equivalents for millimeter dimensions are shown in (**)



General Description

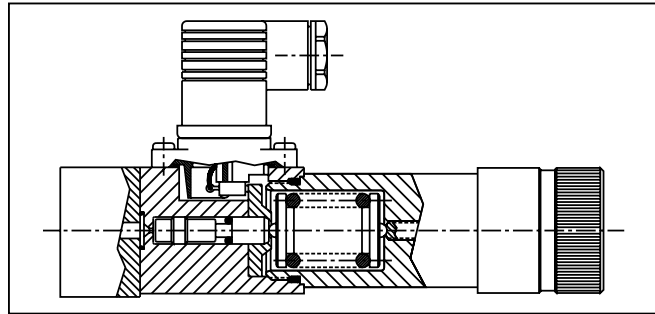
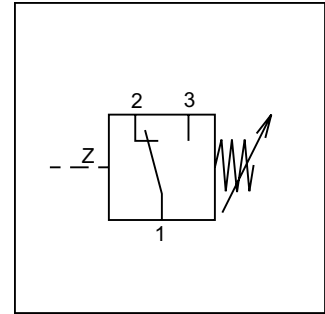
Series PSB electrohydraulic pressure switches are high performance devices that provide an electrical signal when sensed pressure rises above or falls below the selected setting. Maximum operating pressure is 315 Bar (4560 PSI) for all models.

Operation

Sensed pressure acts against a piston and spring plate assembly that is opposed by an adjustable spring force. When the pressure against the piston exceeds that of the adjustable spring, the plate moves and actuates a microswitch. The desired operating pressure is adjusted via a setscrew or hand knob. A tamper resistant keylock option is also available with the setscrew type adjuster. The electric element is a high quality micro switch with snap-action contact. Three terminals permit application as "on", "off" or "change-over" switch. The electric connection is made with a 3-pole plug-in connector to DIN 43650 with ground. The plug-in connector is also available with an indicator light.

Features

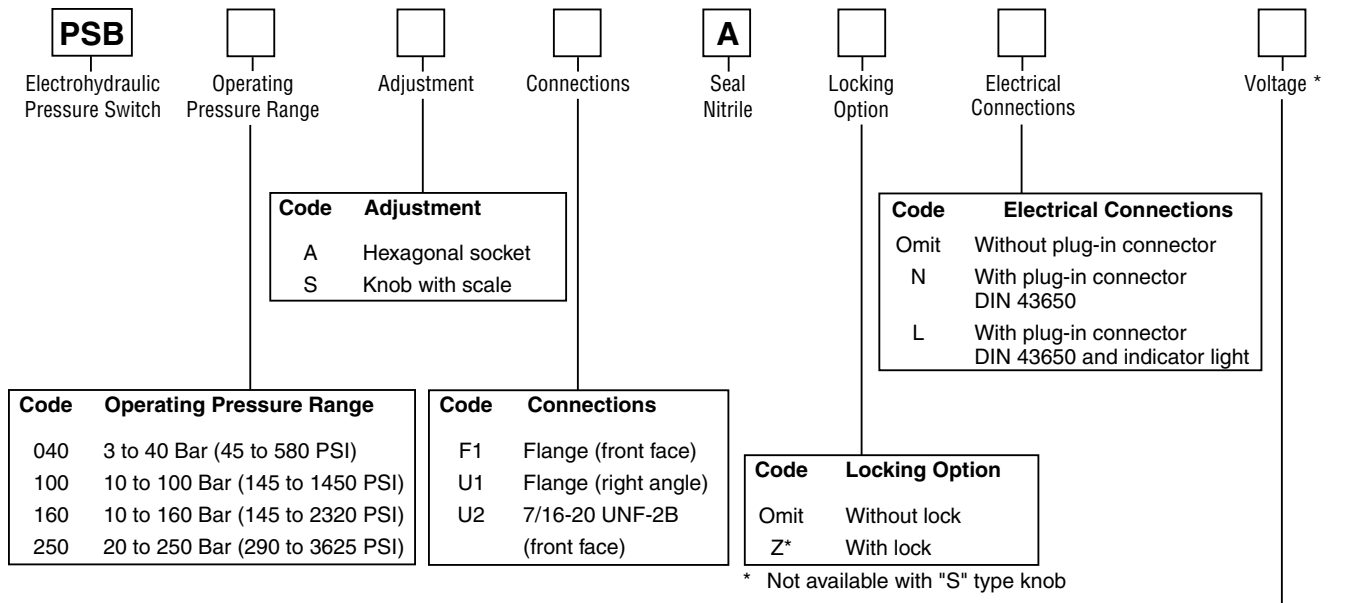
- **Four Separate Adjustable Pressure Range Options** — Enables operator to precisely select the desired pressure setting.
- **Hydraulically Dampened Piston** — Provides accurate response and extended service life.
- **Flange Type Mounting Style** — Provides great flexibility for mounting with manifolds, sandwich plates or direct line connections.
- **Optional Keylock Adjustment** — Prevents tampering or unauthorized adjustments in critical applications.
- **Robust Cast Iron Construction** — A rugged, yet compact, product designed to provide long service life in demanding applications.
- **IP 65 (Nema 4) Class Electrical Protection** — Maintains integrity against moisture in spray or splashdown situations.



Specifications

Type	Plunger type switch
Mounting	Flange mounting or fitted to a level face
Mounting Position	No restrictions
Operating Pressure	Maximum 315 Bar (4560 PSI)
Actuating Pressure Differential	See performance curves
Duty Cycle	Maximum 1/s
Operating Temp. Range (Ambient)	0 to 80° C (32 to 176° F)
Viscosity Range	12 to 400 cSt / mm ² /s (56 to 1854 SSU)
Filtration	Recommend ISO 4406 Code, 18/16/13 or better
Electrical Connection	Plug-in connector to DIN 43650
Insulation	IP 65 (Nema 4)
Contact Load Carrying Capacity	5 A at 250 VAC; 1 A at 50 VDC; .02 A at 250 VDC

Note: For inductive DC loads a diode should be used to increase service life.



Weight: 1.0 kg (2.2 lbs.)

Mounting Bolts
 (2 each required)

	F1	U1/U2
Inch	10 x 353 (10-24 x 2.50)	10 x 218 (10-24 x 2.00)
Metric	M5 x 60	M5 x 50

Code	Voltage
G024	Plug-in connector w/light, 24VDC
W115	Plug-in connector w/light, 115VAC
W230	Plug-in connector w/light, 230VAC

* Only for the Code "L" Models.

Sandwich Plate to NG6, NFPA D03 Pattern

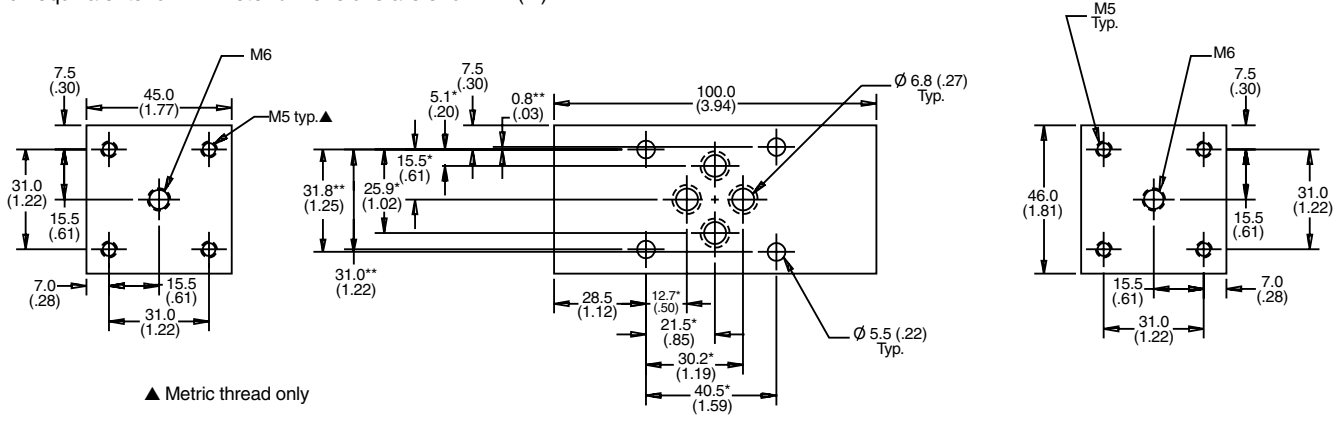
Allows PSB switches to be used in stacking assemblies with Sandwich style valves.



H06PSB-993 -- Pressure switch to P connection

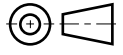
H06PSB-994 -- Pressure switch to A or B or A and B connection

Inch equivalents for millimeter dimensions are shown in (**)



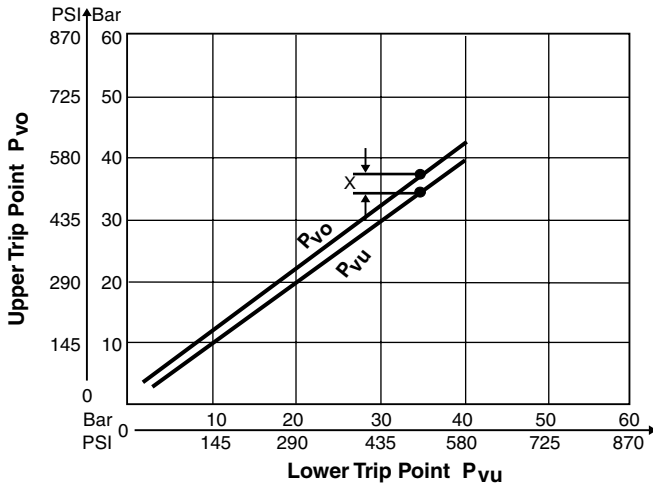
▲ Metric thread only

Note:
 * Tolerance on these dimensions +/- 0.2
 ** Tolerance on these dimensions +/- 0.1

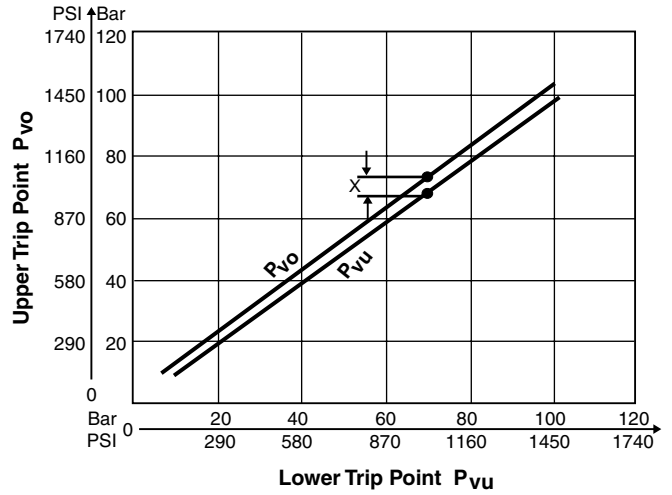


Performance Curves

PSB 040

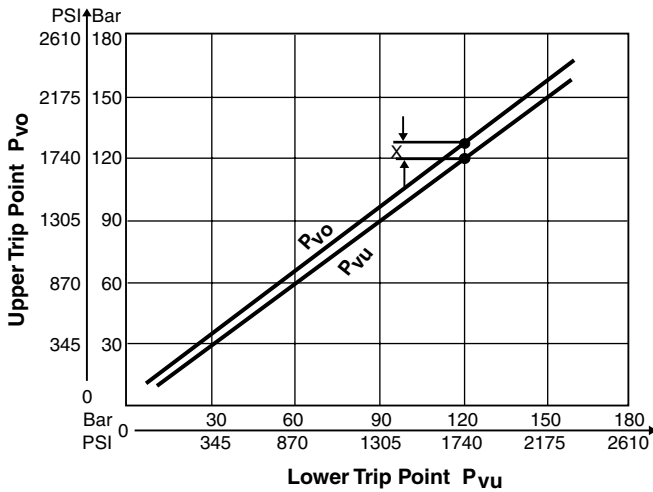


PSB 100

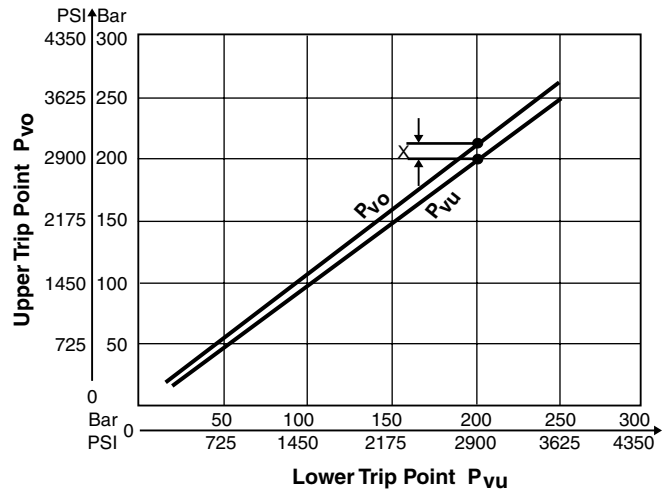


X = Switching Pressure Difference

PSB 160

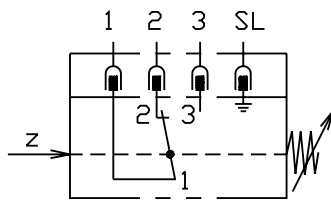


PSB 250

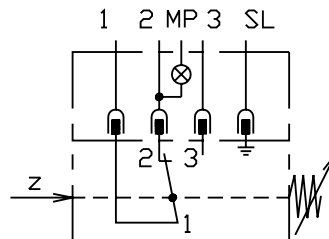


X = Switching Pressure Difference

Electrical Connections



Connection 'N'

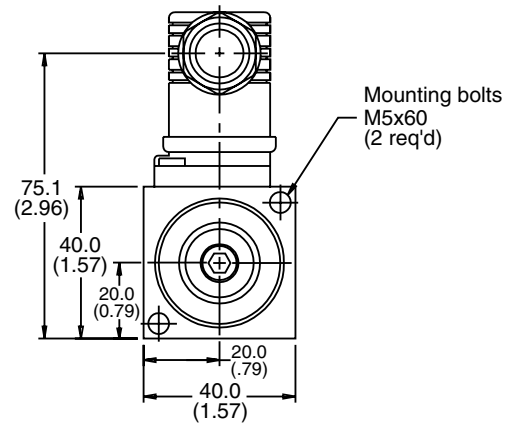
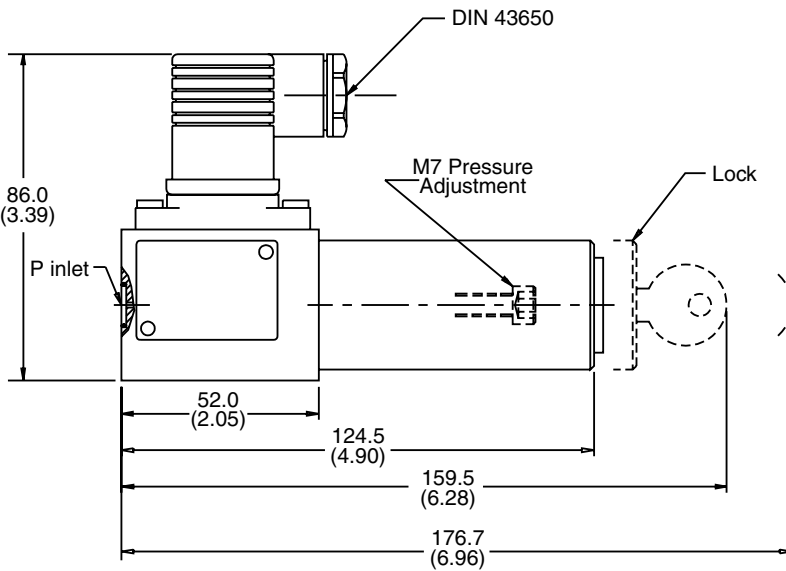
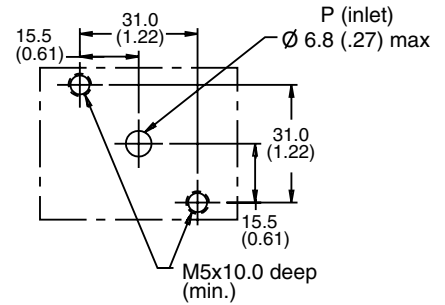
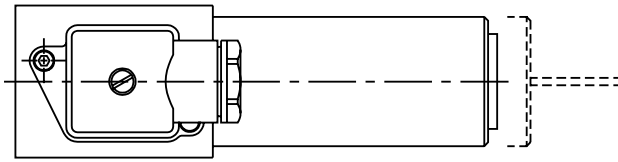


Connection 'L'

Inch equivalents for millimeter dimensions are shown in (**)

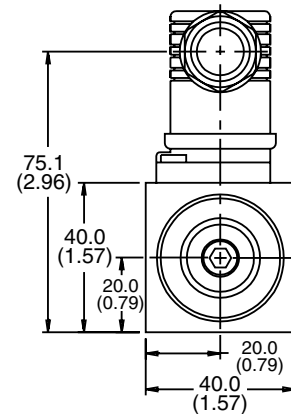
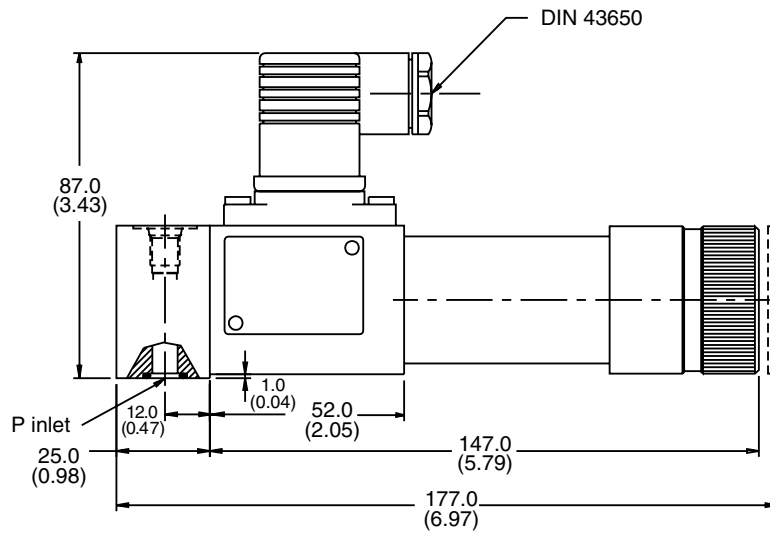
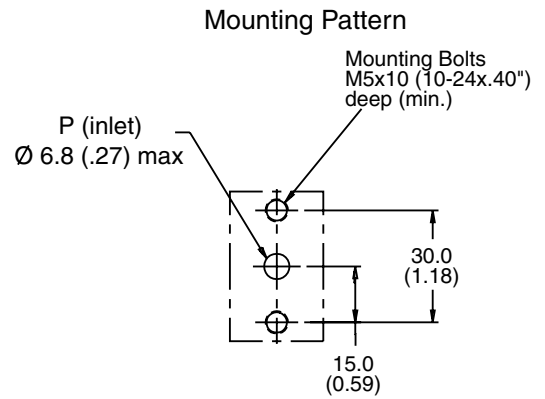
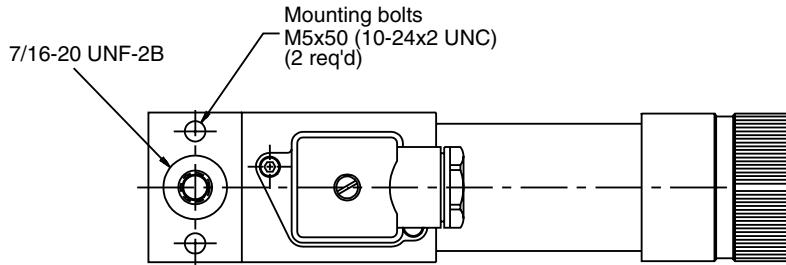
F1

Mounting Pattern



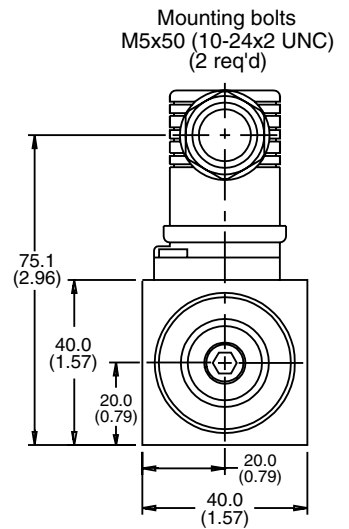
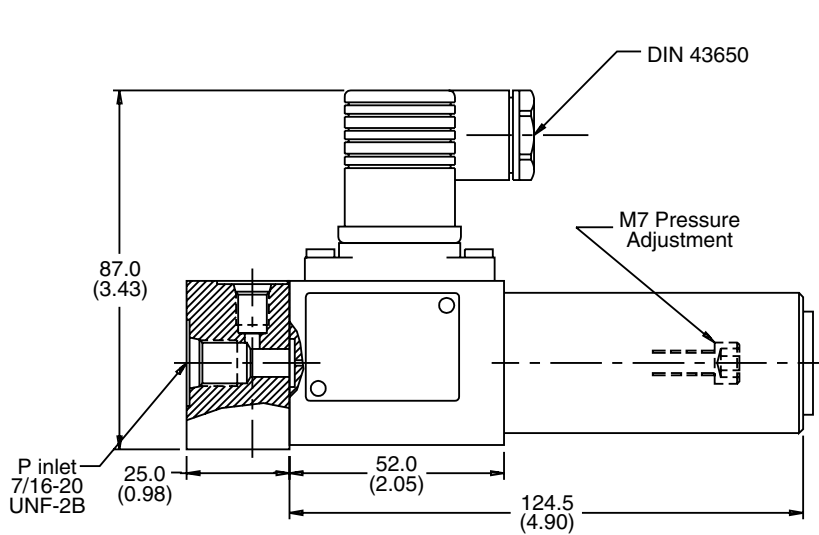
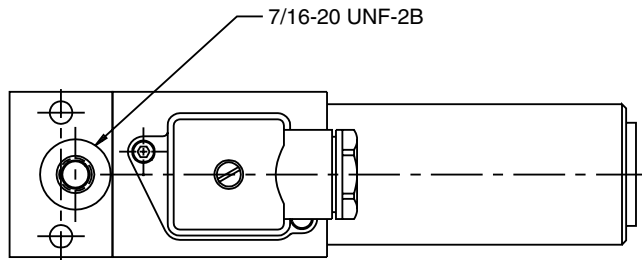
Inch equivalents for millimeter dimensions are shown in (**)

U1



Inch equivalents for millimeter dimensions are shown in (**)

U2



[Return to ALPHA TOC](#)

[Return to SECTION TOC](#)

Contents

Series R4V*5, R6V*5	Pressure Relief with Vent Function, Subplate Mounted	D3
	Replaces Series R*R, R*M	PHASE OUT
	Replaces Series RS*R, RS*M	PHASE OUT
General Description, Features, Function		D3
Ordering Information		D4 - D5
Specifications		D6
Performance Curves		D7
Dimensions		D8 - D15
Series VS	Pressure Relief, Direct Operated, Subplate Mounted	D16
General Description, Features, Specifications, Ordering Information		D16
Performance Curves		D17
Dimensions		D18
Series R4U	Pressure Relief, Subplate Mounted, with Unloading Valve	D19
	Replaces Series UR*M	PHASE OUT
	Replaces Series US*M	PHASE OUT
General Description, Features, Performance Curves		D19
Ordering Information		D20
Specifications		D21
Dimensions		D22 - D25
Series R4R	Pressure Reducing	D26
	Replaces Series PR*M	PHASE OUT
General Description, Features, Specifications, Ordering Information		D26
Performance Curves		D27
Dimensions		D28 - D29
Series VM	Pressure Reducing, Direct Operated, Subplate Mounted	D30
General Description, Features, Ordering Information		D30
Specifications		D31
Performance Curves		D32
Dimensions		D33 - D34
Series R4S	Sequence, Pilot Operated, Subplate Mounted	D36
	Replaces Series S*M	PHASE OUT
General Description, Features, Ordering Information		D36
Specifications, Performance Curves		D37
Dimensions		D38 - D39
Series VB	Sequence, Direct Operated, Subplate Mounted	D40
General Description, Features, Specifications, Ordering Information		D40
Performance Curves		D41
Dimensions		D42 - D43
Series VBY	Sequence, Pilot Operated, Subplate Mounted	D44
General Description, Features, Specifications, Ordering Information		D44
Performance Curves		D45 - D46
Dimensions		D47 - D48
Series R5V	Pressure Relief, Pilot Operated, SAE Flange	D49
General Description, Operation, Features		D49
Ordering Information		D50
Specifications, Performance Curves		D51
Dimensions		D52 - D54



Continued on next page

Contents

Series R5R..... Pressure Relief, Pilot Operated, SAE Flange..... D55
 General Description, Features, Ordering Information..... D55
 Specifications D56
 Performance Curves..... D57
 Dimensions..... D58 - D59

Series R5U..... Unloading, Pilot Operated, SAE Flange D60
 General Description, Features..... D60
 Ordering Information, Performance Curves..... D61
 Specifications D62
 Dimensions..... D63 - D64

Series R5S..... Sequencing, Pilot Operated, SAE Flange D65
 General Description, Features, Ordering Information..... D65
 Specifications, Performance Curves..... D66
 Dimensions..... D67

Series R4V..... Pressure Relief, Pilot Operated, In-line Pipe Mounted..... D68
 General Description, Operation, Features..... D68
 Ordering Information, Performance Curves..... D69
 Specifications D70
 Dimensions..... D71 - D73

Series R1E02..... Remote Control Pressure Relief D74
 General Description, Features..... D74
 Ordering Information, Specifications, Performance Curves D75
 Dimensions..... D76



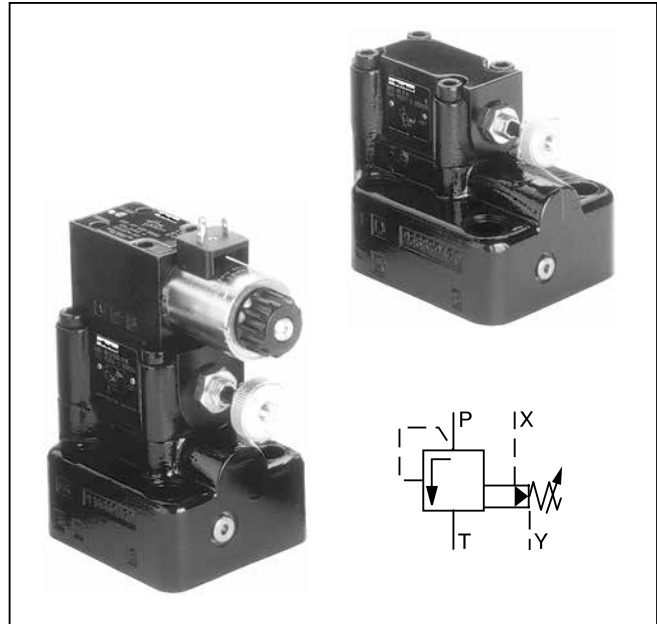
General Description

Series R4V and R6V pressure relief valves feature a manual adjustment pilot stage which controls a seated type main stage.

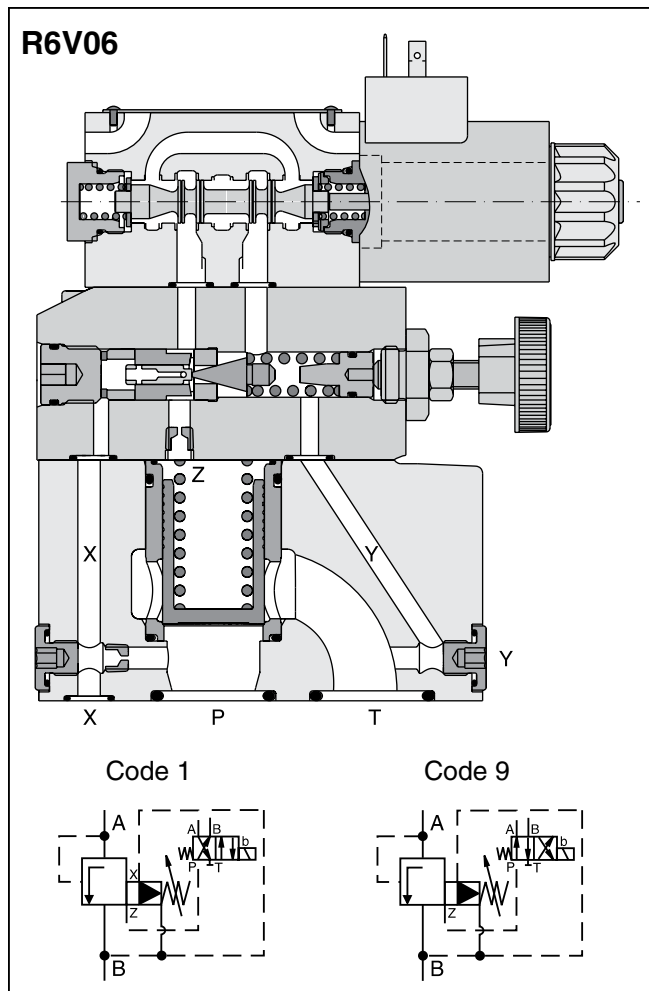
A vent function with a solenoid operated directional valve is available for circulation at minimum pressure.

Features

- Pilot operated with manual adjustment.
- 2 interfaces:
 - Subplate, ISO 6264 (DIN 24340 Form D) with VV01 vent valve (R4V)
 - Subplate, ISO 6264 (DIN 24340 Form E) with CETOP 03 vent valve (R6V)
- 3 pressure ranges.
- 3 adjustment modes:
 - Hand knob
 - Acorn nut with lead seal
 - Key lock
- Remote control via port X.



D



Function

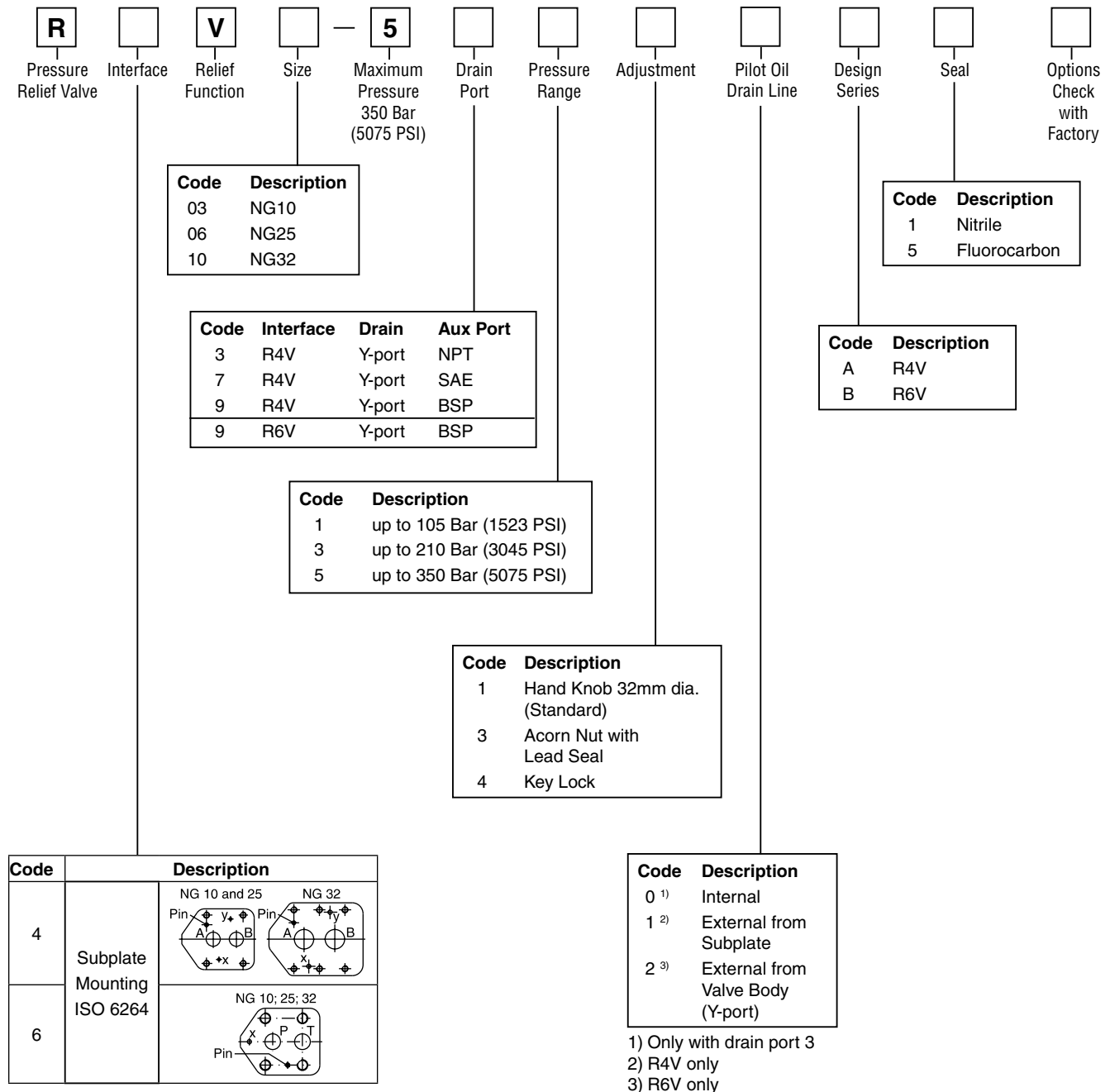
System pressure in port P is applied via the X gallery to the spring loaded cone in the pilot head. The pilot head controls the pressure in the Z area on top of the main cartridge which is additionally kept close by the main spring.

If the pilot pressure exceeds the setting pressure the pilot cone opens and thus limits the pilot pressure.

When the system pressure exceeds the pilot pressure plus the spring force, the main cartridge opens to port T and limits the pressure in port P to the adjusted level.

Additionally to the relief function, a solenoid operated vent valve connects the Z area to tank. This allows oil circulation from P to T at minimum pressure drop. The vent valve can either be a standard CETOP 03 valves (mounting form E) or a sandwich unit (mounting form D). For both types the vent position can be either at the energized or de-energized solenoid.

D



Weight:

R4V03	2.7 kg (6.0 lbs.)
R4V06	4.5 kg (9.9 lbs.)
R4V10	6.0 kg (13.2 lbs.)
R6V03	4.5 kg (9.9 lbs.)
R6V06	5.8 kg (12.8 lbs.)
R6V10	7.8 kg (17.2 lbs.)

R		V		5										
Pressure Relief Valve	Interface	Relief Function	Size	Maximum Pressure 350 Bar (5075 PSI)	Drain Port	Pressure Range	Adjustment	Pilot Oil Drain Line	Vent Valve Function	Solenoid Voltage	Design Series	Seal	Modifications	

Code	Description
03	NG10
06	NG25
10	NG32

Code	Interface	Drain	Aux Port
3	R4V	Y-port	NPT
7	R4V	Y-port	SAE
9	R4V	Y-port	BSP
9	R6V	Y-port	BSP

Code	Description
1	up to 105 Bar (1523 PSI)
3	up to 210 Bar (3045 PSI)
5	up to 350 Bar (5075 PSI)

Code	Description
1	Nitrile
5	Fluorocarbon

Code	Description
A	R4V
B	R6V

Code	Description
G0R	12V
G0Q	24V
GAR	98V
GAG	205V
W30	110V / 50 Hz 120V / 60 Hz
W31	230V / 50 Hz 240V / 60 Hz

Code	Description
09	Solenoid not activated unpress. circulation
11	Solenoid activated unpress. circulation

Code	Description
0 ¹⁾	Internal
1 ²⁾	External from Subplate
2 ³⁾	External from Valve Body (Y-port)

Code	Description
1	Hand Knob (Standard)
3	Acorn Nut with Lead Seal
4	Key Lock

Code	Description
4	Subplate Mounting ISO 6264
6	

Code	Description
031 ²⁾	Vent Function w/ Slow Unloading
VFM ³⁾	Vent Function w/ Slow Unloading

2) R4V only
 3) R6V only

Weight:

R4V03	4.4 kg (9.7 lbs.)
R4V06	6.2 kg 13.7 (lbs.)
R4V10	7.7 kg (17.0 lbs.)
R6V03	5.9 kg (13.0 lbs.)
R6V06	7.2 kg (15.9 lbs.)
R6V10	9.2 kg (20.3 lbs.)



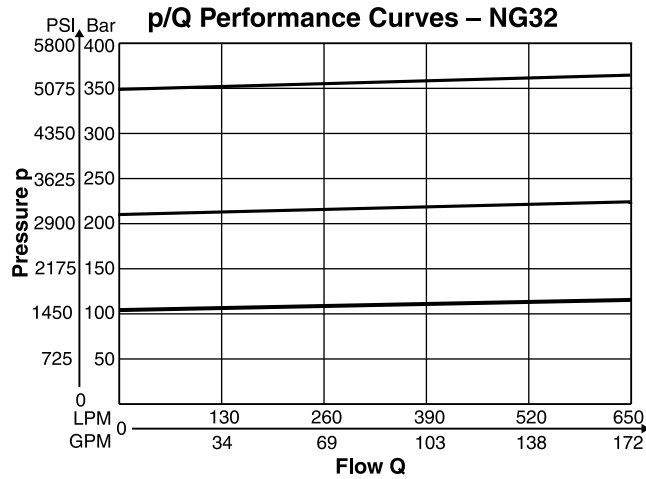
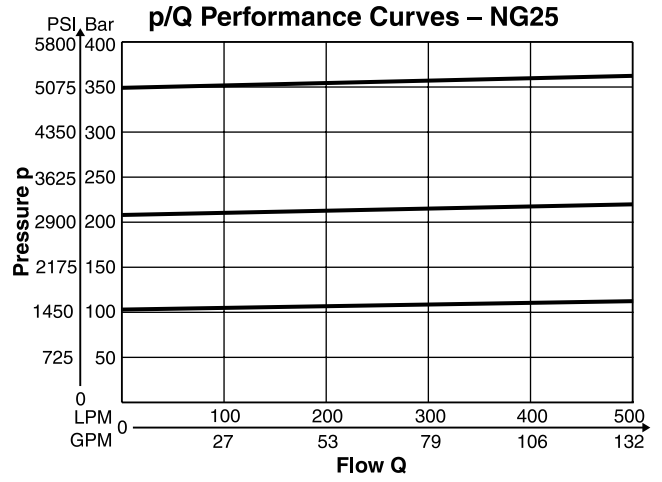
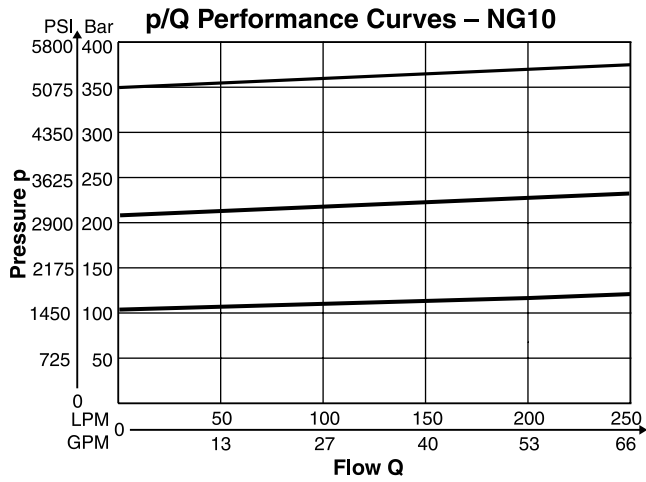
R4V and R6V

General		NG10		NG25		NG32	
Size							
Interface	Subplate mounting acc. ISO 6264 (DIN 24340)						
Mounting Position	As desired, horizontal mounting preferred						
Ambient Temperature	-20°C to +80°C (-4°F to +176°F)						
Hydraulic							
Operating Pressure	Ports P or A and X up to 350 Bar (5075 PSI), Port T or B and Y depressurized						
Pressure Range	105, 210, 350 Bar (1523, 3045, 5075 PSI)						
Nominal Flow	Series R4V	150 LPM (39.7 GPM)		350 LPM (92.6 GPM)		650 LPM (172.0 GPM)	
	Series R6V	250 LPM (66.1 GPM)		500 LPM (132.3 GPM)		650 LPM (172.0 GPM)	
Fluid	Hydraulic oil according to DIN 51524 ... 51525						
Viscosity	Recommended Permitted	30 to 50 cSt / mm ² /s (139 to 232 SSU)					
		20 to 380 cSt / mm ² /s (93 to 1761 SSU)					
Fluid Temperature	Recommended Maximum	+30°C to +50°C (+86°F to +122°F)					
		-20°C to +70° (-4°F to +158°F)					
Filtration	ISO 4406 (1999), 18/16/13						

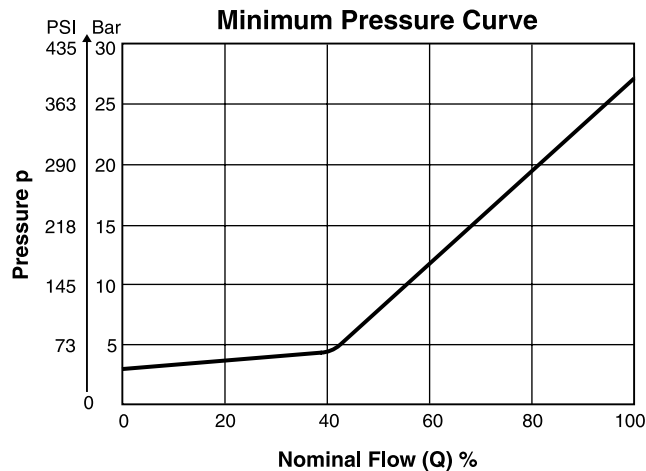
R4V and R6V with Vent Function

General		NG10		NG25		NG32	
Size							
Interface	Subplate mounting acc. ISO 6264 (DIN 24340)						
Mounting Position	As desired, horizontal mounting preferred						
Ambient Temperature	-20°C to +80°C (-4°F to +176°F)						
Hydraulic							
Operating Pressure	Ports P or A and X up to 350 Bar (5075 PSI), Port T or B and Y depressurized						
Pressure Range	105, 210, 350 Bar (1523, 3045, 5075 PSI)						
Nominal Flow	Series R4V	150 LPM (39.7 GPM)		350 LPM (92.6 GPM)		650 LPM (172.0 GPM)	
	Series R6V	250 LPM (66.1 GPM)		500 LPM (132.3 GPM)		650 LPM (172.0 GPM)	
Fluid	Hydraulic oil according to DIN 51524 ... 51525						
Viscosity	Recommended Permitted	30 to 50 cSt / mm ² /s (139 to 232 SSU)					
		20 to 380 cSt / mm ² /s (93 to 1761 SSU)					
Fluid Temperature	-20°C to +70° (-4°F to +158°F)						
Filtration	ISO 4406 (1999), 18/16/13						
Electrical (solenoid)							
Duty Cycle	100% ED CAUTION: Coil temperature up to 180°C (356°F)						
Solenoid Connector	Connector acc. to EN 175301-803						
Protection Class	IP65 in accordance with EN 60529 (plugged and mounted)						
	Code	G0R	G0Q	GAR	GAG	W30	W31
Supply Voltage		12V	24V	98V	205V	110 at 50Hz 120 at 60Hz	230 at 50Hz 240 at 60Hz
Supply Tolerance		+5...-10	+5...-10	+5...-10	+5...-10	+5...-10	+5...-10
Power Consumption	Hold	31W	31W	31W	31W	78W	78W
	In Rush	31W	31W	31W	31W	264W	264W
Switching Frequency	16,000 (DC), 7200 (AC) switchings/hour maximum						
Wiring Minimum	3 x 1.5 mm ² Recommended						
Wiring Length Maximum	50 m (164 ft.) Recommended						

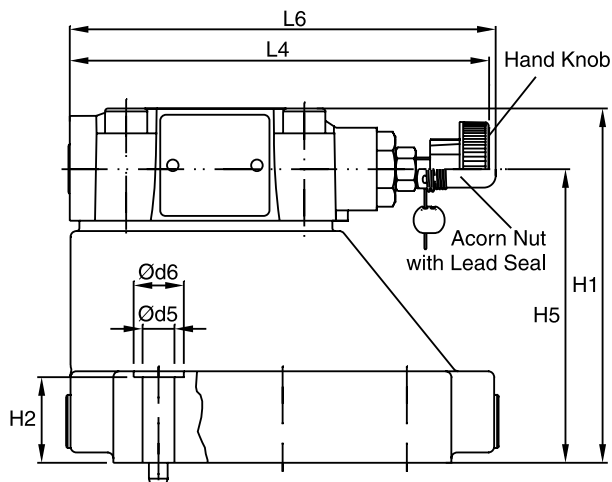
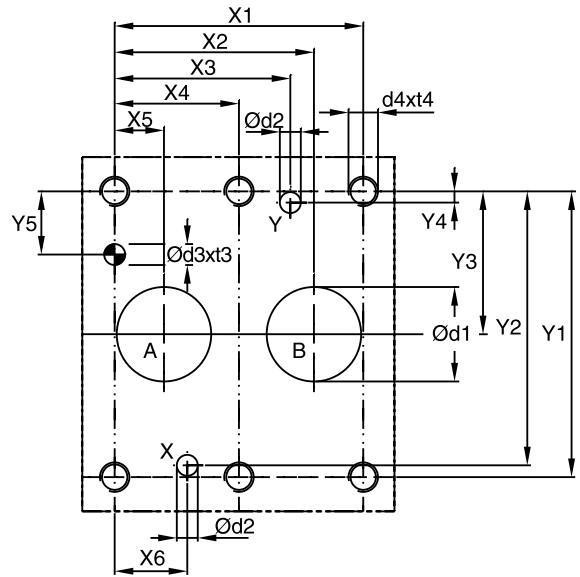
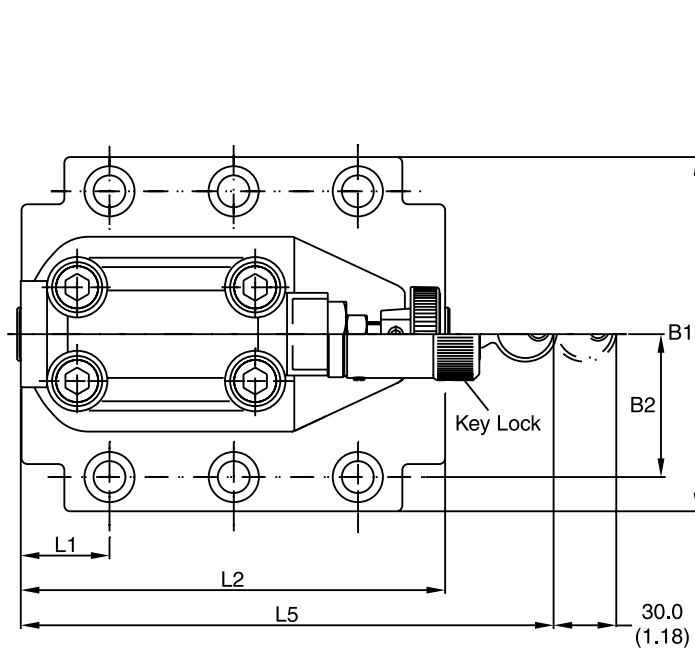
R4V-R6V RS_R RS_M.indd, dd



The performance curves are measured with external drain.
 For internal drain the tank pressure has to be added to curve.



D





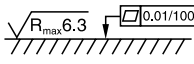
Inch equivalents for millimeter dimensions are shown in (**)

NG	ISO-code	x1	x2	x3	x4	x5	x6	x7	y1	y2	y3	y4	y5	y6
10	6264-06-07-*-97	42.9 (1.69)	35.8 (1.41)	21.5 (0.85)	— —	7.2 (0.28)	21.5 (0.85)	0.0 (0.00)	66.7 (2.63)	58.8 (2.31)	33.4 (1.31)	7.9 (0.31)	14.3 (0.56)	— —
25	6264-08-11-*-97	60.3 (2.37)	49.2 (1.94)	39.7 (1.56)	— —	11.1 (0.44)	20.6 (0.81)	0.0 (0.00)	79.4 (3.13)	73.0 (2.87)	39.7 (1.56)	6.4 (0.25)	15.9 (0.63)	— —
32	6264-10-15-*-97	84.2 (3.31)	67.5 (2.66)	59.5 (2.34)	42.1 (1.66)	16.7 (0.66)	24.6 (0.97)	0.0 (0.00)	96.8 (3.81)	92.8 (3.65)	48.4 (1.91)	3.8 (0.15)	21.4 (0.84)	— —

Tolerance at X and Y pin holes and screw holes ±0.1, at port holes ±0.2.

NG	ISO-code	B1	B2	H1	H2	H3	H4	H5	H6	L1	L2	L3	L4	L5	L6
10	6264-06-07-*-97	87.3 (3.44)	33.4 (1.31)	83.0 (3.27)	21.0 (0.83)	— —	— —	62.5 (2.46)	— —	29.0 (1.14)	94.8 (3.73)	— —	143.0 (5.63)	181.0 (7.13)	144.8 (5.76)
25	6264-08-11-*-97	105.0 (4.13)	39.7 (1.56)	109.5 (4.31)	29.0 (1.14)	— —	— —	89.0 (3.50)	— —	34.7 (1.37)	126.8 (4.99)	— —	143.0 (5.63)	181.0 (7.13)	144.8 (5.76)
32	6264-10-15-*-97	120.0 (4.72)	48.4 (1.91)	120.0 (4.72)	29.0 (1.14)	— —	— —	99.5 (3.92)	— —	30.6 (1.20)	144.3 (5.68)	— —	143.0 (5.63)	181.0 (7.13)	144.8 (5.76)

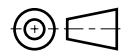
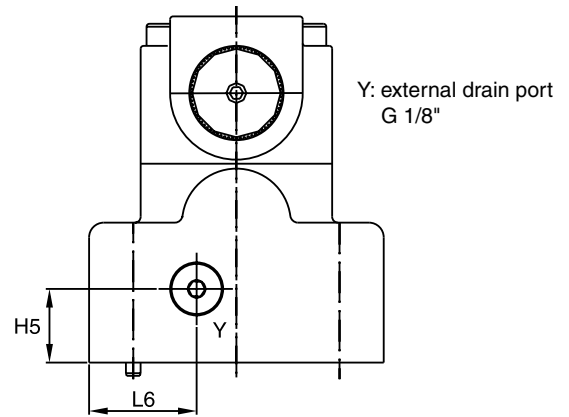
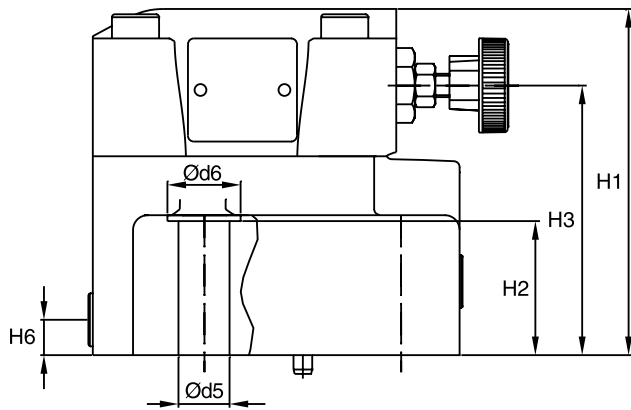
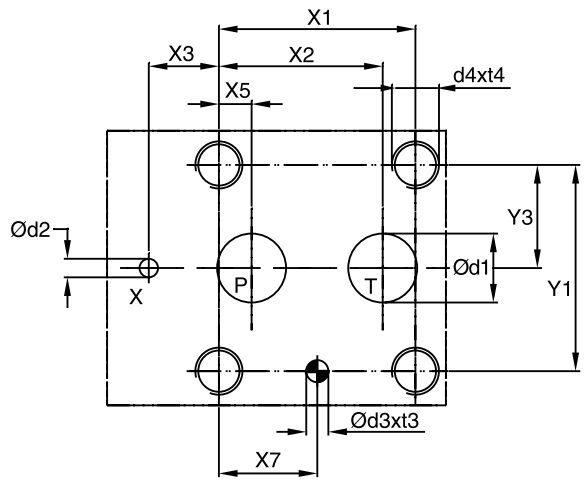
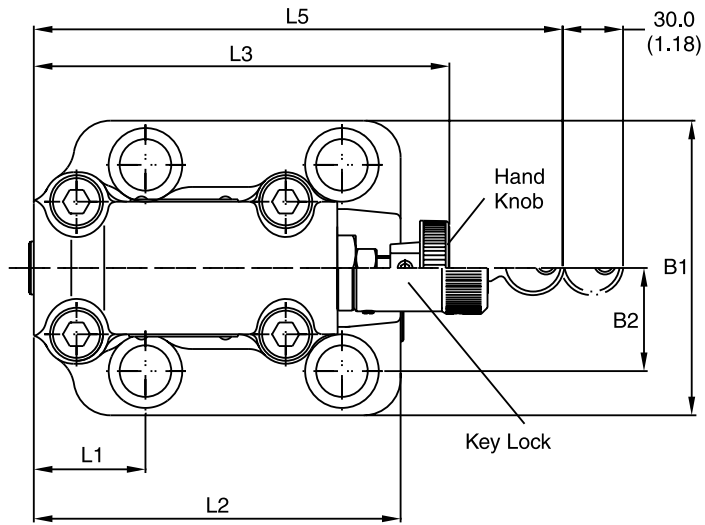
NG	ISO-code	d1max	d2max	d3	t3	d4	t4	d5	d6
10	6264-06-07-*-97	15.0 (0.59)	7.0 (0.28)	7.1 (0.28)	8.0 (0.31)	M10	16.0 (0.63)	10.8 (0.43)	17.0 (0.67)
25	6264-08-11-*-97	23.4 (0.92)	7.1 (0.28)	7.1 (0.28)	8.0 (0.31)	M10	18.0 (0.71)	10.8 (0.43)	17.0 (0.67)
32	6264-10-15-*-97	32.0 (1.26)	7.1 (0.28)	7.1 (0.28)	8.0 (0.31)	M10	20.0 (0.79)	10.8 (0.43)	17.0 (0.67)

NG	ISO-code	Bolt Kit			Seal Nitrile	Kit Fluorocarbon	Surface Finish
10	6264-06-07-*-97	BK505	4xM10 x 35-DIN 912 12.9	63 Nm (46.5 lb.-ft.) ±15%	S26-58507-0	S26-58507-5	
25	6264-08-11-*-97	BK485	4xM10 x 45-DIN 912 12.9	63 Nm (46.5 lb.-ft.) ±15%	S26-58475-0	S26-58475-5	
32	6264-10-15-*-97	BK506	6xM10 x 45-DIN 912 12.9	63 Nm (46.5 lb.-ft.) ±15%	S26-58508-0	S26-58508-5	

NG	ISO-code	Subplate	Size
10	6264-06-07-*-97	SPP3M6B910	A, B = 3/4" BSPP x, y = 1/4" BSPP
25	6264-08-11-*-97	SPP6M8B910	A, B = 1" BSPP x, y = 1/4" BSPP
32	6264-10-15-*-97	SPP10M12B910	A, B = 1 1/2" BSPP x, y = 1/4" BSPP



D





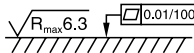
Inch equivalents for millimeter dimensions are shown in (**)

NG	ISO-code	x1	x2	x3	x4	x5	x6	x7	y1	y2	y3	y4	y5	y6
10	6264-06-09-*-97	53.8 (2.12)	47.5 (1.87)	0.0 (0.00)	— —	22.1 (0.87)	— —	22.1 (0.87)	53.8 (2.12)	— —	26.9 (1.06)	— —	— —	— —
25	6264-08-13-*-97	66.7 (2.63)	55.6 (2.19)	23.8 (0.94)	— —	11.1 (0.44)	— —	33.4 (1.31)	70.0 (2.76)	— —	35.0 (1.38)	— —	— —	— —
32	6264-10-17-*-97	88.9 (3.50)	76.2 (3.00)	31.8 (1.25)	— —	12.7 (0.50)	— —	44.5 (1.75)	82.6 (3.25)	— —	41.3 (1.63)	— —	— —	— —

Tolerance at X and Y pin holes and screw holes ±0.1, at port holes ±0.2.

NG	ISO-code	B1	B2	H1	H2	H3	H4	H5	H6	L1	L2	L3	L4	L5	L6
10	6264-06-09-*-97	80.0 (3.15)	26.9 (1.06)	114.0 (4.49)	27.0 (1.06)	88.0 (3.46)	— —	25.0 (0.98)	25.0 (0.98)	52.5 (2.07)	118.5 (4.67)	141.0 (5.55)	— —	180.0 (7.09)	29.5 (1.16)
25	6264-08-13-*-97	100.0 (3.94)	35.0 (1.38)	117.5 (4.63)	45.5 (1.79)	91.5 (3.60)	— —	25.0 (0.98)	12.0 (0.47)	37.9 (1.49)	124.5 (4.90)	141.0 (5.55)	— —	180.0 (7.09)	36.5 (1.44)
32	6264-10-17-*-97	120.0 (4.72)	41.3 (1.63)	123.0 (4.83)	52.0 (2.05)	97.0 (3.82)	— —	25.0 (0.98)	13.5 (0.53)	45.0 (1.77)	153.0 (6.02)	141.0 (5.55)	— —	180.0 (7.09)	36.5 (1.83)

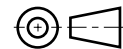
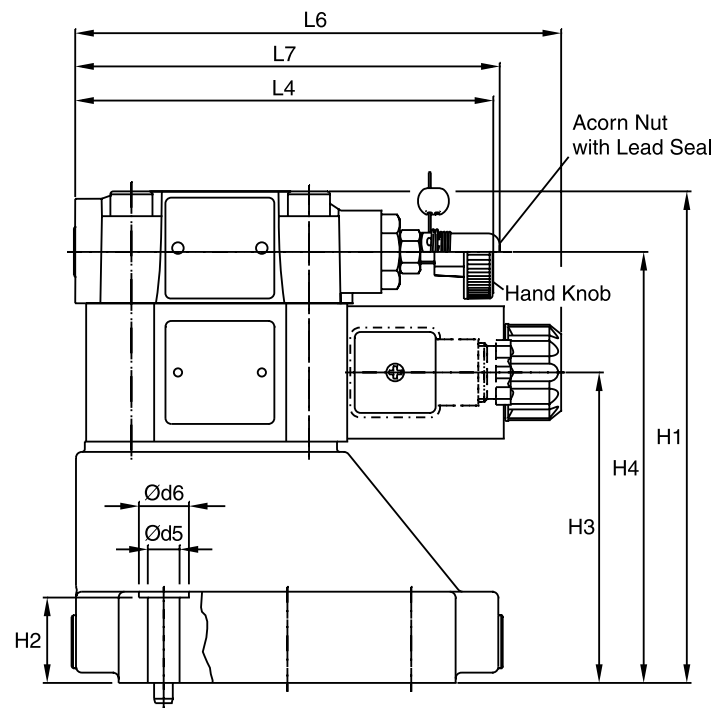
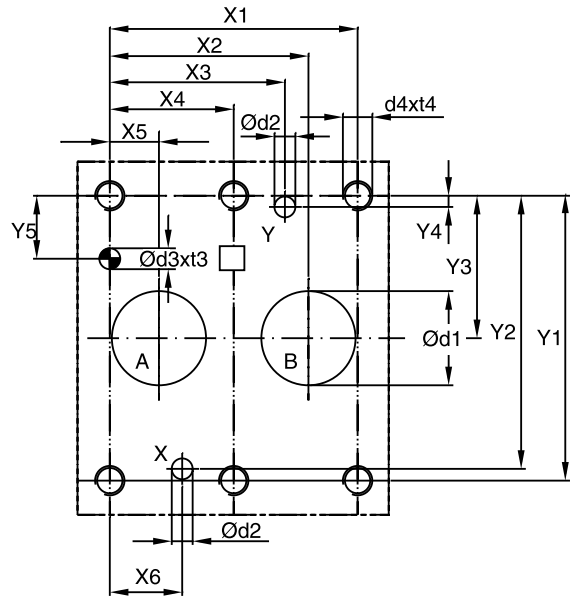
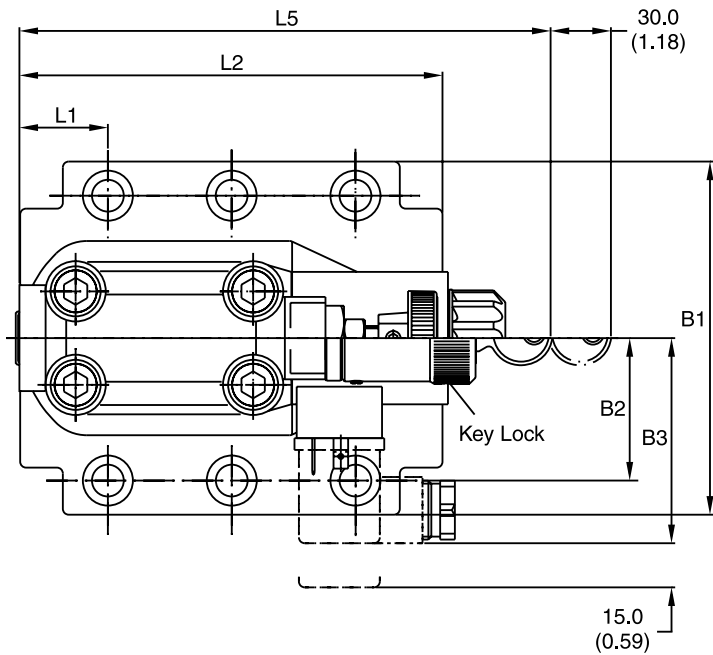
NG	ISO-code	d1max	d2max	d3	t3	d4	t4	d5	d6
10	6264-06-09-*-97	14.7 (0.58)	4.8 (0.19)	7.5 (0.30)	10.0 (0.39)	M12	20.0 (0.79)	13.5 (0.53)	20.0 (0.79)
25	6264-08-13-*-97	23.4 (0.92)	6.3 (0.25)	7.5 (0.30)	10.0 (0.39)	M16	27.0 (1.06)	17.5 (0.69)	25.0 (0.98)
32	6264-10-17-*-97	32.0 (1.26)	6.3 (0.25)	7.5 (0.30)	10.0 (0.39)	M18	28.0 (1.10)	20.0 (0.79)	30.0 (1.18)

NG	ISO-code	Bolt Kit			Seal Kit	Surface Finish
					Nitrile Fluorocarbon	
10	6264-06-09-*-97	BK494	4xM12 x 45-DIN 912 12.9	108 Nm (79.6 lb.-ft.) ±15%	S26-96396-0 S26-96396-5	
25	6264-08-13-*-97	BK366	4xM16 x 70-DIN 912 12.9	264 Nm (194.7 lb.-ft.) ±15%	S26-96589-0 S26-96589-5	
32	6264-10-17-*-97	BK507	4xM18 x 75-DIN 912 12.9	398 Nm (293.5 lb.-ft.) ±15%	S26-96392-0 S26-96392-5	

NG	ISO-code	Subplate	Size
10	6264-06-09-*-97	SPP3R6B910	P, T = 3/4" BSPP x = 1/4" BSPP
25	6264-08-13-*-97	SPP6R8B910	P, T = 1 1/4" BSPP x = 1/4" BSPP
32	6264-10-17-*-97	SPP10R12B910	P, T = 1 1/2" BSPP x, y = 1/4" BSPP



D




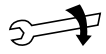
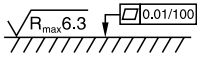
Inch equivalents for millimeter dimensions are shown in (**)

NG	ISO-code	x1	x2	x3	x4	x5	x6	x7	y1	y2	y3	y4	y5	y6
10	6264-06-07-*-97	42.9 (1.69)	35.8 (1.41)	21.5 (0.85)	– –	7.2 (0.28)	21.5 (0.85)	0.0 (0.00)	66.7 (2.63)	58.8 (2.31)	33.4 (1.31)	7.9 (0.31)	14.3 (0.56)	– –
25	6264-08-11-*-97	60.3 (2.37)	49.2 (1.94)	39.7 (1.56)	– –	11.1 (0.44)	20.6 (0.81)	0.0 (0.00)	79.4 (3.13)	73.0 (2.87)	39.7 (1.56)	6.4 (0.25)	15.9 (0.63)	– –
32	6264-10-15-*-97	84.2 (3.31)	67.5 (2.66)	59.5 (2.34)	42.1 (1.66)	16.7 (0.66)	24.6 (0.97)	0.0 (0.00)	96.8 (3.81)	92.8 (3.65)	48.4 (1.91)	3.8 (0.15)	21.4 (0.84)	– –

Tolerance at X and Y pin holes and screw holes ±0.1, at port holes ±0.2.

NG	ISO-code	B1	B2	B3	H1	H2	H3	H4	L1	L2	L3	L4	L5	L6	L7
10	6264-06-07-*-97	87.3 (3.44)	33.4 (1.31)	70.0 (2.76)	130.0 (5.12)	21.0 (0.83)	68.5 (2.70)	109.5 (4.31)	29.0 (1.14)	94.8 (3.73)	– –	143.0 (5.63)	181.0 (7.13)	165.6 (6.52)	144.8 (5.70)
25	6264-08-11-*-97	105.0 (4.13)	39.7 (1.59)	70.0 (2.76)	156.5 (6.16)	29.0 (1.14)	95.0 (3.74)	136.0 (5.35)	34.7 (1.37)	126.8 (4.99)	– –	143.0 (5.63)	181.0 (7.13)	165.6 (6.52)	144.8 (5.70)
32	6264-10-15-*-97	120.0 (4.72)	48.4 (1.91)	70.0 (2.76)	167.0 (6.57)	29.0 (1.14)	105.5 (4.15)	146.5 (5.77)	30.6 (1.20)	144.3 (5.68)	– –	143.0 (5.63)	181.0 (7.13)	165.6 (6.52)	144.8 (5.70)

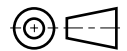
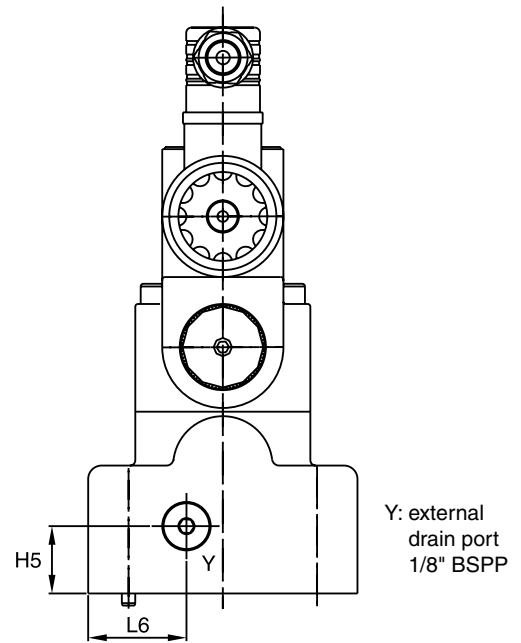
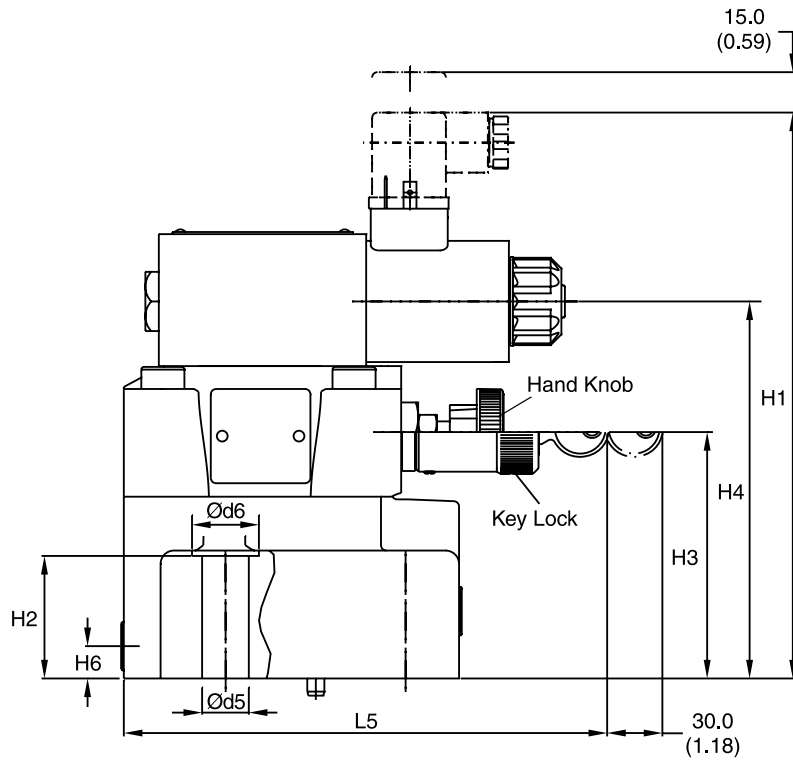
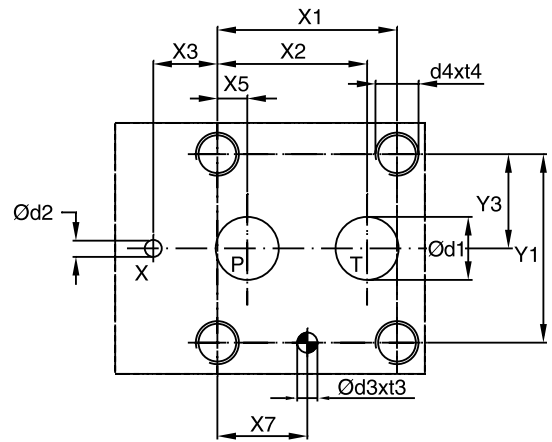
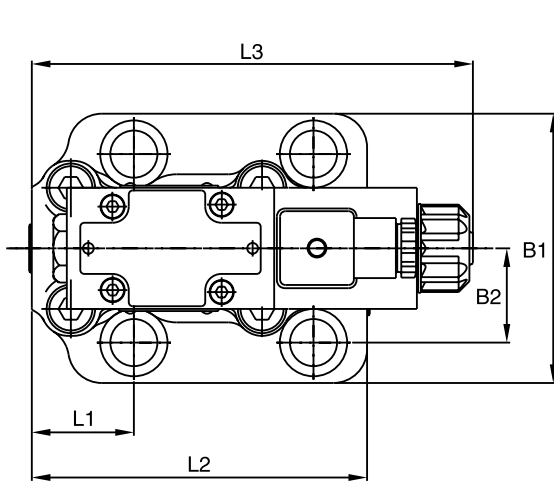
NG	ISO-code	d1max	d2max	d3	t3	d4	t4	d5	d6
10	6264-06-07-*-97	15.0 (0.59)	7.0 (0.28)	7.1 (0.28)	8.0 (0.31)	M10	16.0 (0.63)	10.8 (0.43)	17.0 (0.67)
25	6264-08-11-*-97	23.4 (0.92)	7.1 (0.28)	7.1 (0.28)	8.0 (0.31)	M10	18.0 (0.71)	10.8 (0.43)	17.0 (0.67)
32	6264-10-15-*-97	32.0 (1.26)	7.1 (0.28)	7.1 (0.28)	8.0 (0.31)	M10	20.0 (0.79)	10.8 (0.43)	17.0 (0.67)

NG	ISO-code	Bolt Kit			Seal Kit		Surface Finish
					Nitrile	Fluorocarbon	
10	6264-06-07-*-97	BK505	4xM10 x 35-DIN 912 12.9	63 Nm (46.5 lb.-ft.) ±15%	S26-58507-0	S26-58507-5	
25	6264-08-11-*-97	BK485	4xM10 x 45-DIN 912 12.9	63 Nm (46.5 lb.-ft.) ±15%	S26-58475-0	S26-58475-5	
32	6264-10-15-*-97	BK506	6xM10 x 45-DIN 912 12.9	63 Nm (46.5 lb.-ft.) ±15%	S26-58508-0	S26-58508-5	
VV01*					S56-40609-0	S56-40609-5	

*Please combine seal kit of one size with seal kit of VV01 solenoid for complete seal kit.

NG	ISO-code	Subplate	Size
10	6264-06-07-*-97	SPP3M6B910	A, B = 3/4" BSPP x, y = 1/4" BSPP
25	6264-08-11-*-97	SPP6M8B910	A, B = 1" BSPP x, y = 1/4" BSPP
32	6264-10-15-*-97	SPP10M12B910	A, B = 1 1/2" BSPP x, y = 1/4" BSPP

D





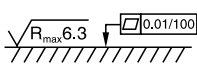
Inch equivalents for millimeter dimensions are shown in (**)

NG	ISO-code	x1	x2	x3	x4	x5	x6	x7	y1	y2	y3	y4	y5	y6
10	6264-06-09-*-97	53.8 (2.12)	47.5 (1.87)	0.0 (0.00)	— —	22.1 (0.87)	— —	22.1 (0.87)	53.8 (2.12)	— —	26.9 (1.06)	— —	— —	— —
25	6264-08-13-*-97	66.7 (2.63)	55.6 (2.19)	23.8 (0.91)	— —	11.1 (0.44)	— —	33.4 (1.31)	70.0 (2.76)	— —	35.0 (1.38)	— —	— —	— —
32	6264-10-17-*-97	88.9 (3.50)	76.2 (3.00)	31.8 (1.25)	— —	12.7 (0.50)	— —	44.5 (1.75)	82.6 (3.25)	— —	41.3 (1.63)	— —	— —	— —

Tolerance at X and Y pin holes and screw holes ±0.1, at port holes ±0.2.

NG	ISO-code	B1	B2	H1	H2	H3	H4	H5	H6	L1	L2	L3	L4	L5	L6
10	6264-06-09-*-97	80.0 (3.15)	26.9 (1.06)	206.0 (8.11)	27.0 (1.06)	88.0 (3.46)	136.5 (5.37)	25.0 (0.98)	12.0 (0.47)	52.5 (2.07)	118.5 (4.67)	163.8 (6.45)	— —	180.0 (7.09)	36.5 (1.44)
25	6264-08-13-*-97	100.0 (3.94)	35.0 (1.38)	210.0 (8.27)	45.5 (1.79)	91.5 (3.60)	140.0 (5.51)	25.0 (0.98)	12.0 (0.47)	37.9 (1.49)	124.5 (4.90)	163.8 (6.45)	— —	180.0 (7.09)	36.5 (1.44)
32	6264-10-17-*-97	120.0 (4.72)	41.3 (1.63)	215.5 (8.48)	52.0 (2.05)	97.0 (3.82)	145.5 (5.73)	25.0 (0.98)	12.0 (0.47)	45.0 (1.77)	153 (6.02)	163.8 (6.45)	— —	180.0 (7.09)	36.5 (1.44)

NG	ISO-code	d1max	d2max	d3	t3	d4	t4	d5	d6
10	6264-06-09-*-97	14.7 (0.58)	4.8 (0.19)	7.5 (0.30)	10.0 (0.39)	M12	20.0 (0.79)	13.5 (0.53)	20.0 (0.79)
25	6264-08-13-*-97	23.4 (0.92)	6.3 (0.25)	7.5 (0.30)	10.0 (0.39)	M16	27.0 (1.06)	17.5 (0.69)	25.0 (0.98)
32	6264-10-17-*-97	32.0 (1.26)	6.3 (0.25)	7.5 (0.30)	10.0 (0.39)	M18	28.0 (1.10)	20.0 (0.79)	30.0 (1.18)

NG	ISO-code	Bolt Kit			Seal Nitrile	Kit Fluorocarbon	Surface Finish
10	6264-06-09-*-97	BK494	4xM12 x 45-DIN 912 12.9	108 Nm (79.6 lb.-ft.) ±15%	S26-96395-0	S26-96395-5	
25	6264-08-13-*-97	BK366	4xM16 x 70-DIN 912 12.9	264 Nm (194.7 lb.-ft.) ±15%	S26-96589-0	S26-96589-5	
32	6264-10-17-*-97	BK507	4xM18 x 75-DIN 912 12.9	398 Nm (293.5 lb.-ft.) ±15%	S26-96392-0	S26-96392-5	

NG	ISO-code	Subplate	Size
10	6264-06-09-*-97	SPP3R6B910	P, T = 3/4" BSPP x = 1/4" BSPP
25	6264-08-13-*-97	SPP6R8B910	P, T = 1 1/4" BSPP x = 1/4" BSPP
32	6264-10-17-*-97	SPP10R12B910	P, T = 1 1/2" BSPP x, y = 1/4" BSPP

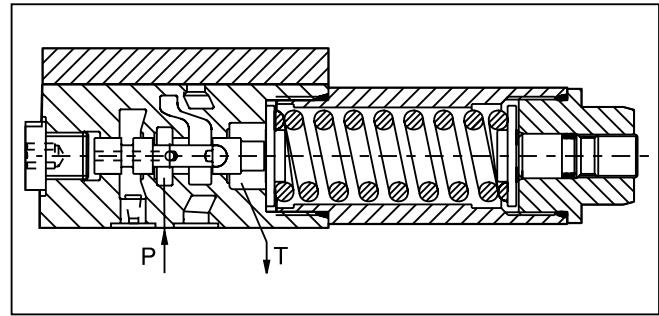
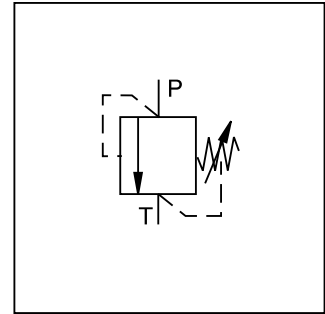


General Description

Series VS pressure relief valve is a direct operated spool valve for subplate mounting with internal drain to port T. The connection and function is according to ISO 6264.

Specifiactions

Size	NFPA D03 / NG6
Mounting Interface	ISO 6264
Mounting Position	Unrestricted
Ambient Temperature Range	-20°C to +70°C (-4°F to +158°F)
Working Pressure	Port P: 350 Bar (5075 PSI) Port T: depressurized
Pressure Range	25 Bar (363 PSI) 64 Bar (928 PSI) 160 Bar (2320 PSI) 210 Bar (3045 PSI) 350 Bar (5075 PSI)
Nominal Flow	25 LPM (6.6 GPM)
Pressure Fluid	Hydraulic oil as per DIN 51524 ... 525
Fluid Temperature Recommended Permitted	+30°C to +50°C (+86°F to +122°F) -20°C to +70°C (-4°F to +158°F)
Viscosity Recommended Permitted	30 to 50 cSt/mm ² /s (139 to 232 SSU) 20 to 380 cSt / mm ² /s (93 to 1761 SSU)
Filtration	ISO 4406 (1999), 18/16/13



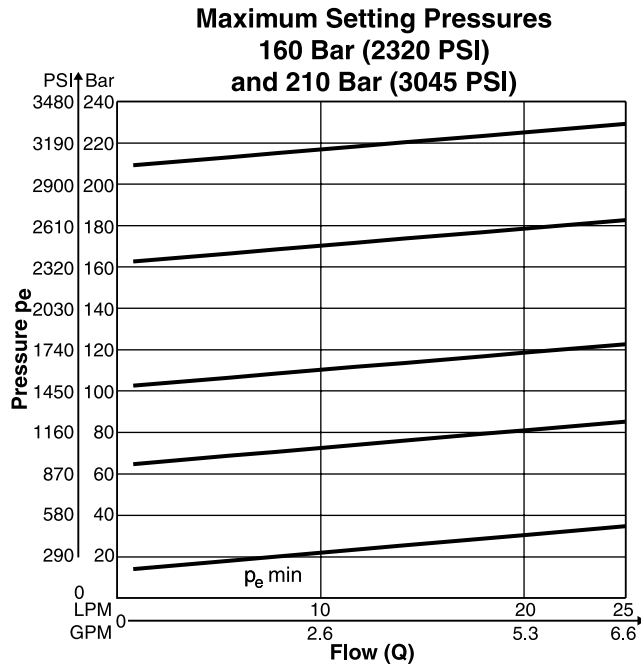
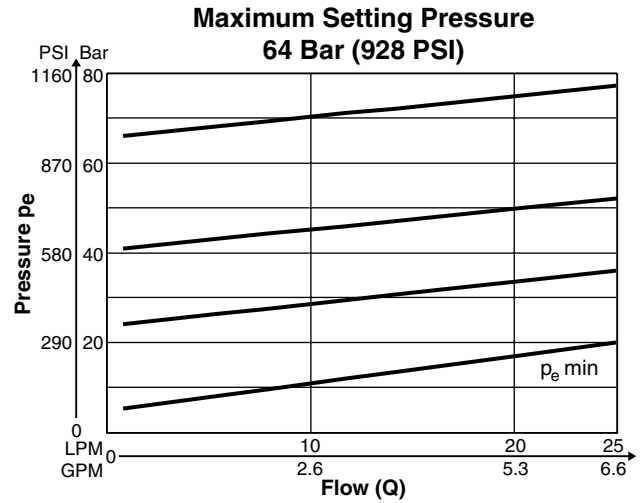
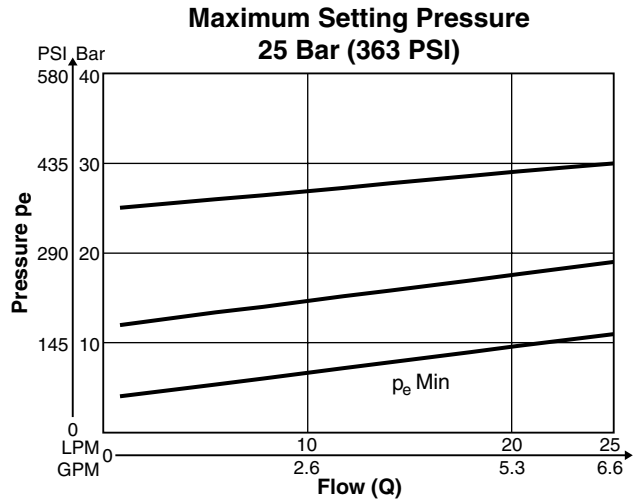
Features

- Spool type valve.
- Manifold mounting.
- 5 pressure ranges.
- 2 adjustment modes.

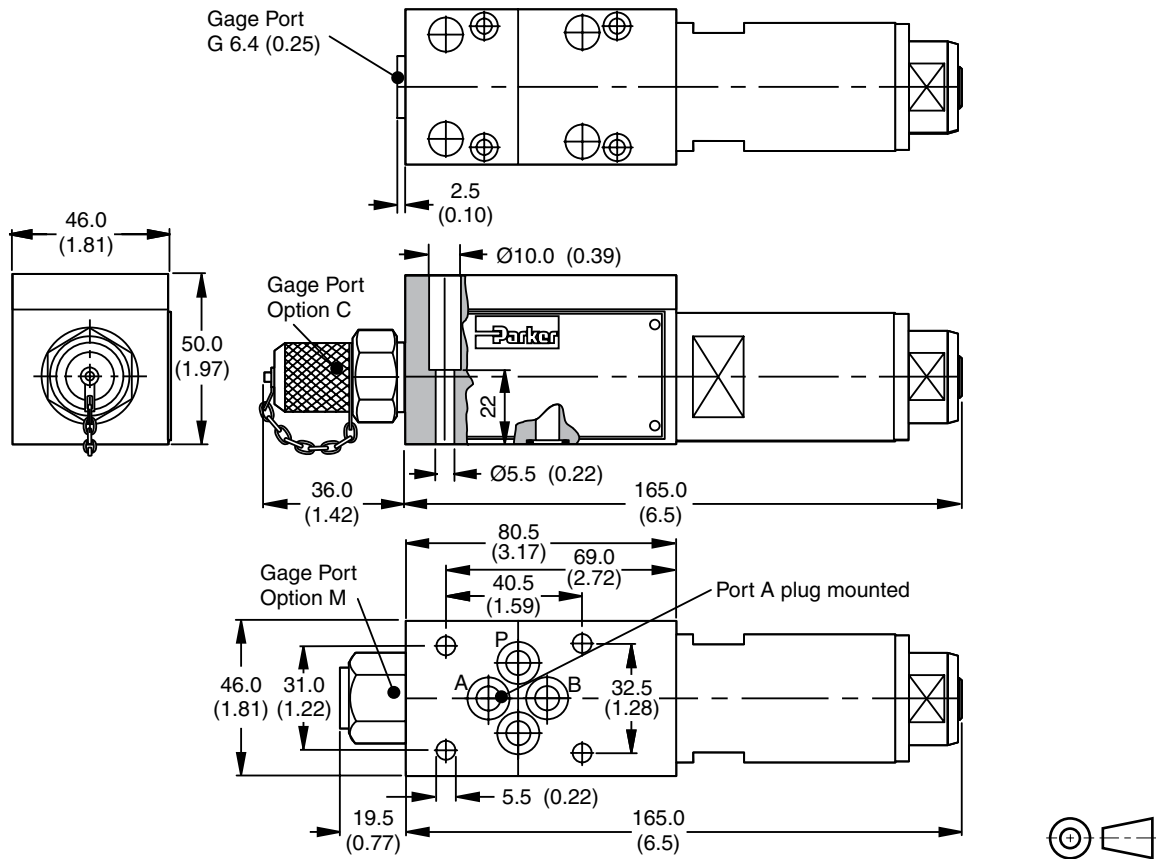
Ordering Information

<div style="border: 1px solid black; padding: 2px; width: 30px; margin: 0 auto;">VS</div> <p>Pressure Relief Valve</p>	<div style="border: 1px solid black; width: 30px; height: 30px; margin: 0 auto;"></div> <p>Pressure Range</p>	<div style="border: 1px solid black; padding: 2px; width: 30px; margin: 0 auto;">A</div> <p>Adjustment Screw with Hexagon Socket</p>	<div style="border: 1px solid black; padding: 2px; width: 30px; margin: 0 auto;">06</div> <p>Size</p>	<div style="border: 1px solid black; padding: 2px; width: 30px; margin: 0 auto;">V</div> <p>Seal Fluorocarbon</p>	<div style="border: 1px solid black; width: 30px; height: 30px; margin: 0 auto;"></div> <p>Gage Port</p>	<div style="border: 1px solid black; width: 30px; height: 30px; margin: 0 auto;"></div> <p>Lock</p>	<div style="border: 1px dashed black; width: 30px; height: 30px; margin: 0 auto;"></div> <p>Design Series NOTE: Not required when ordering.</p>																													
<table border="1" style="width: 100%;"> <thead> <tr> <th>Code</th> <th>Description</th> </tr> </thead> <tbody> <tr> <td>025</td> <td>25 Bar (363 PSI)</td> </tr> <tr> <td>064</td> <td>64 Bar (928 PSI)</td> </tr> <tr> <td>160</td> <td>160 Bar (2320 PSI)</td> </tr> <tr> <td>210</td> <td>210 Bar (3045 PSI)</td> </tr> <tr> <td>350</td> <td>350 Bar (5075 PSI)</td> </tr> </tbody> </table>		Code	Description	025	25 Bar (363 PSI)	064	64 Bar (928 PSI)	160	160 Bar (2320 PSI)	210	210 Bar (3045 PSI)	350	350 Bar (5075 PSI)	<table border="1" style="width: 100%;"> <thead> <tr> <th>Code</th> <th>Description</th> </tr> </thead> <tbody> <tr> <td>06</td> <td>NFPA D03 / NG6</td> </tr> </tbody> </table>		Code	Description	06	NFPA D03 / NG6	<table border="1" style="width: 100%;"> <thead> <tr> <th>Code</th> <th>Description</th> </tr> </thead> <tbody> <tr> <td>Omit</td> <td>Normal</td> </tr> <tr> <td>Z</td> <td>Cylinder Lock</td> </tr> </tbody> </table>			Code	Description	Omit	Normal	Z	Cylinder Lock	<table border="1" style="width: 100%;"> <thead> <tr> <th>Code</th> <th>Description</th> </tr> </thead> <tbody> <tr> <td>G</td> <td>BSPP 1/4"</td> </tr> <tr> <td>M</td> <td>M 12x1.5</td> </tr> </tbody> </table>		Code	Description	G	BSPP 1/4"	M	M 12x1.5
Code	Description																																			
025	25 Bar (363 PSI)																																			
064	64 Bar (928 PSI)																																			
160	160 Bar (2320 PSI)																																			
210	210 Bar (3045 PSI)																																			
350	350 Bar (5075 PSI)																																			
Code	Description																																			
06	NFPA D03 / NG6																																			
Code	Description																																			
Omit	Normal																																			
Z	Cylinder Lock																																			
Code	Description																																			
G	BSPP 1/4"																																			
M	M 12x1.5																																			

Weight: 1.3 kg (2.9 lbs.)



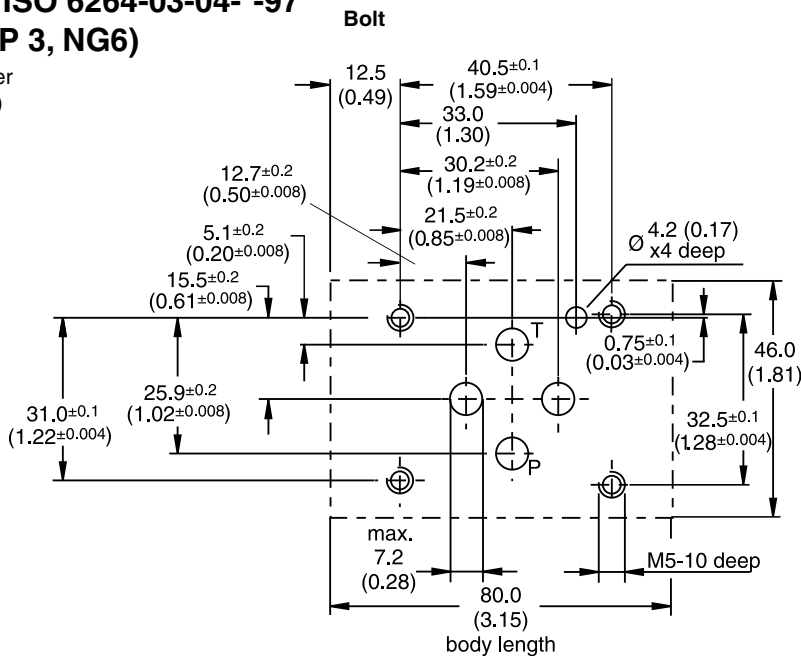
Inch equivalents for millimeter dimensions are shown in (**)



Surface Finish	Bolt kit DIN912 12.9		Seal Kit Fluorocarbon
	M5x30-4pcs	8.1Nm (6.0 lb.-ft.)	SK-VB/VM/VS V

**Mounting Pattern ISO 6264-03-04-*-97
(NFPA D03, CETOP 3, NG6)**

Inch equivalents for millimeter dimensions are shown in (**)



VS.indd, dd

General Description

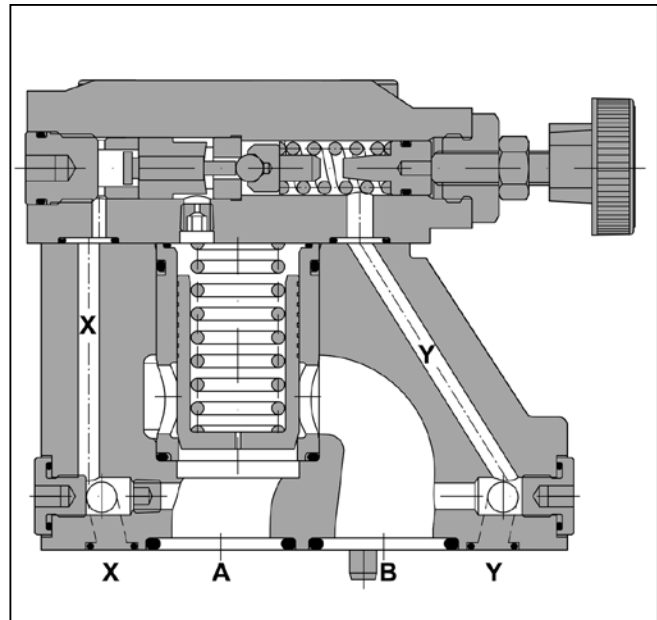
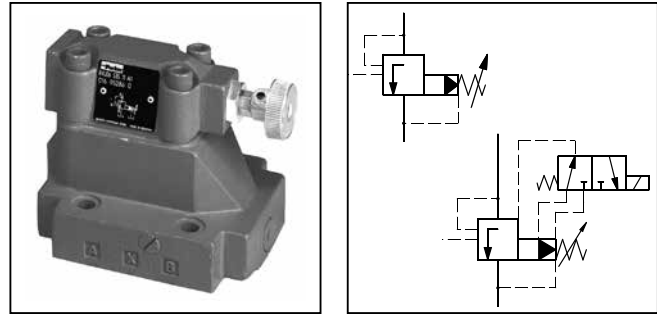
Series R4U subplate mounted unloading valves are used to unload a circuit at low pressure. The mechanically adjustable pressure signal to unload the main stage has to be applied to port X. The pressure differential between opening and closing is nominal 15% or 28% of the setting pressure:
 15% for pressure ranges 350 Bar (5075 PSI) and
 28% for 105 Bar (1523 PSI) and 210 Bar (3045 PSI).

Typical applications are to unload the pumps in an accumulator circuit and to unload the low pressure stage of a double pump.

In addition, Series R4U with vent function is vented by electrical operation.

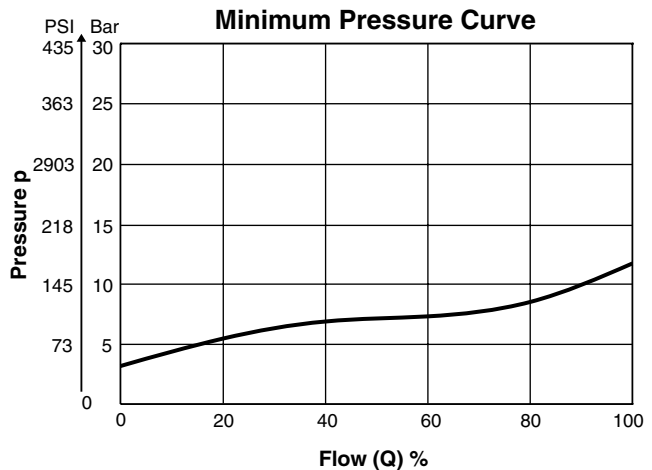
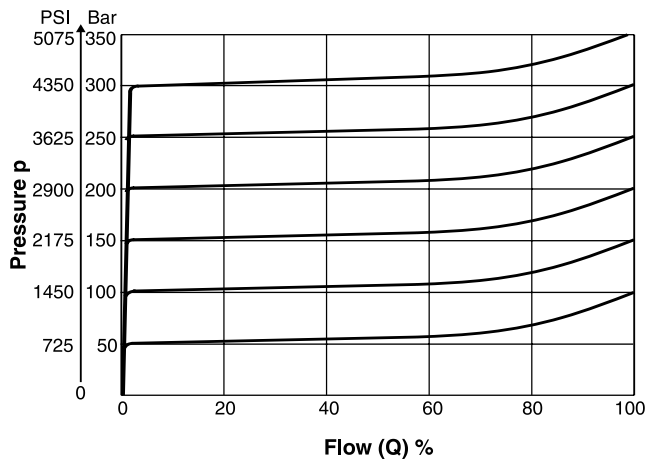
Features

- Pilot operated unloading valve.
- 3 pressure ranges.
- 2 switching types (series R4U with vent function).
- 3 adjustment modes:
 - Hand knob
 - Screw with locknut
 - Key lock

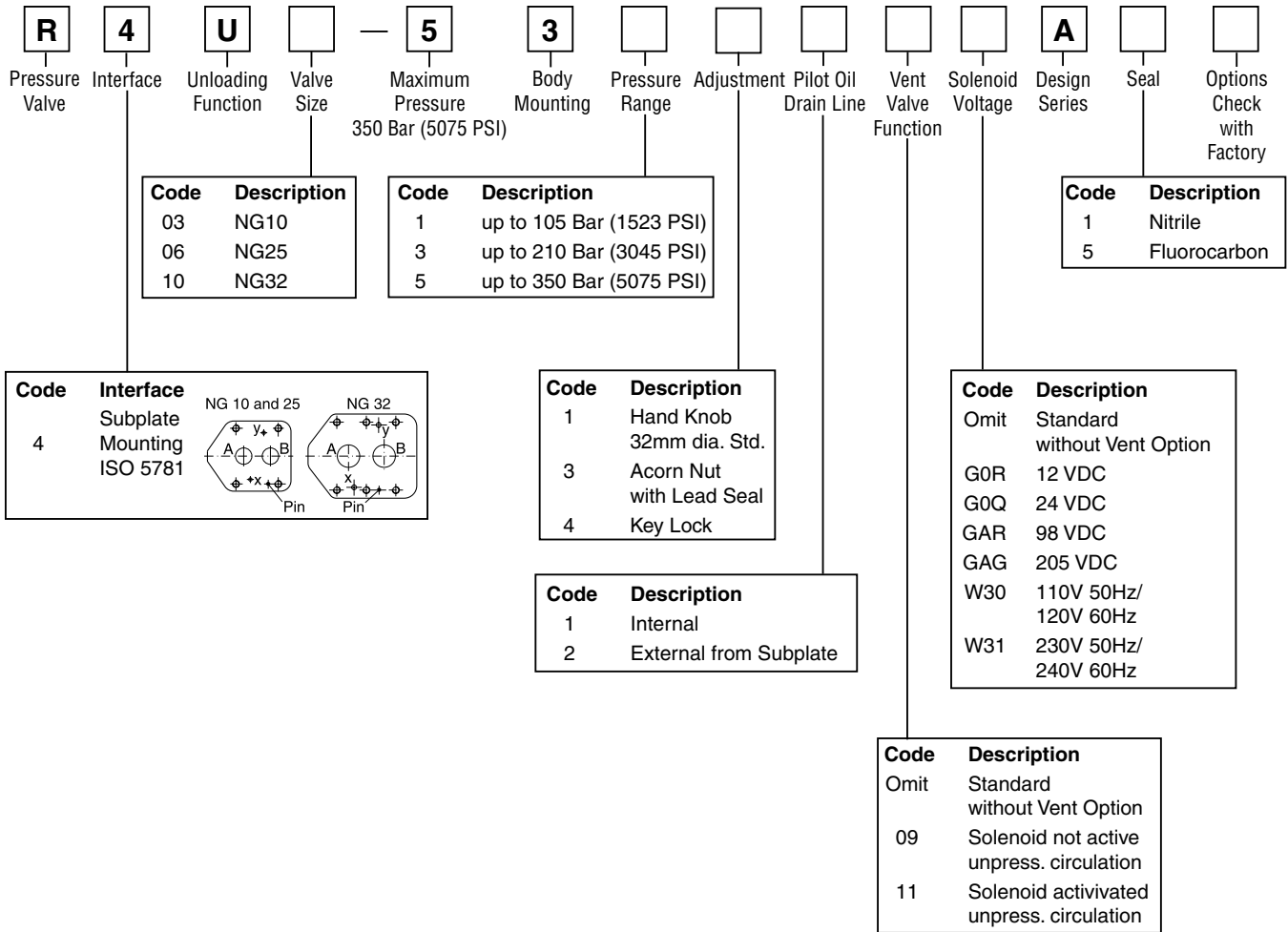


D

Performance Curves



The performance curves are measured with external drain. For internal drain the tank pressure has to be added to curve.



D

Weight:

- R4U03: 2.7 kg (6.0 lbs.)
- R4U06: 4.5 kg (9.9 lbs.)
- R4U10: 6.0 kg (13.2 lbs.)

Weight: with Vent

- R4U03: 4.4 kg (9.7 lbs.)
- R4U06: 6.2 kg (13.7 lbs.)
- R4U10: 7.7 kg (17.0 lbs.)

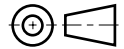
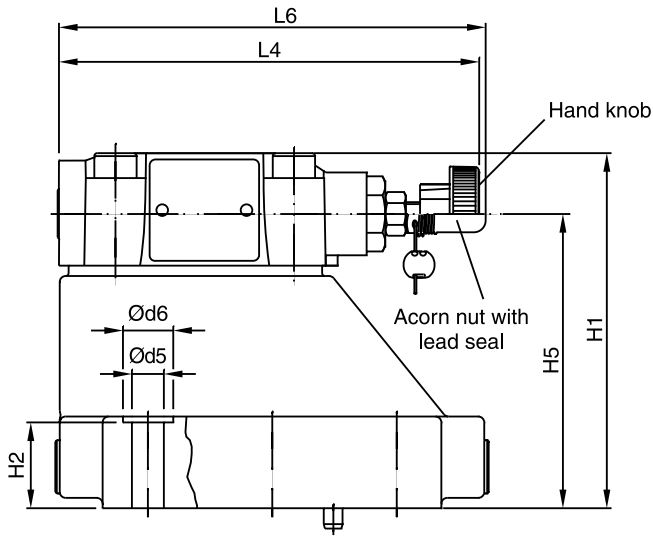
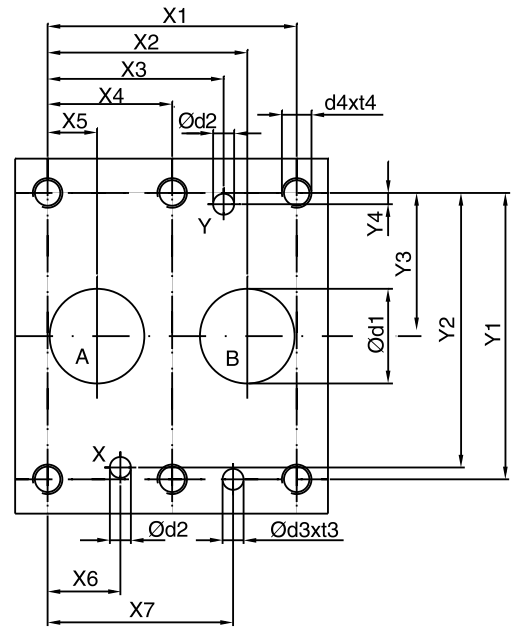
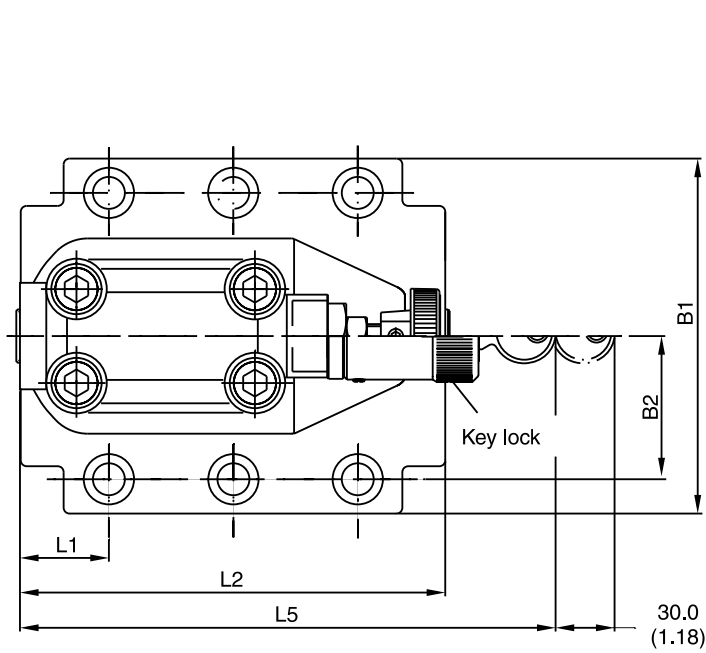
General		NG10	NG25	NG32
Size				
Interface	Subplate mounting acc. ISO 5781			
Mounting Position	As desired, horizontal mounting preferred			
Ambient Temperature	-20°C to +80°C (-4°F to +176°F)			
Hydraulic				
Operating Pressure	Ports A and X up to 350 Bar (5075 PSI), Ports B and Y depressurized			
Pressure Range	105, 210, 350 Bar (1523, 3045, 5075 PSI)			
Pressure Differential	15% for pressure range 350 Bar (2538 PSI) 28% for pressure ranges 105 Bar (1523 PSI) and 250 Bar (3625 PSI)			
Nominal Flow	150 LPM (39.7 GPM)	350 LPM (92.6 GPM)	650 LPM (172.0 GPM)	
Pressure Fluid	Hydraulic oil according to DIN 51524 ... 525			
Viscosity Recommended Maximum	30 to 50 cSt / mm ² /s (139 to 232 SSU) 20 to 380 cSt / mm ² /s (93 to 1761 SSU)			
Pressure Fluid Temperature Recommended Maximum	+30°C to +50°C (+86°F to +122°F) -20°C to +70°C (-4°F to +158°F)			
Filtration	ISO 4406 (1999), 18/16/13			

With Vent Function

General		NG10	NG25	NG32			
Size							
Interface	Subplate mounting acc. ISO 5781						
Mounting Position	As desired, horizontal mounting preferred						
Ambient Temperature	-20°C to +80°C (-4°F to +176°F)						
Hydraulic							
Operating Pressure	Ports A and X up to 350 Bar (5075 PSI), Ports B and Y depressurized						
Pressure Range	105, 210, 350 Bar (1523, 3045, 5075 PSI)						
Pressure Differential	15% for pressure range 350 Bar (5075 PSI) 28% for pressure ranges 105 Bar (1523 PSI) and 250 Bar (3625 PSI)						
Nominal Flow	150 LPM (39.7 GPM)	350 LPM (92.6 GPM)	650 LPM (172.0 GPM)				
Pressure Fluid	Hydraulic oil according to DIN 51524 ... 525						
Viscosity Recommended Maximum	30 to 50 cSt / mm ² /s (139 to 232 SSU) 20 to 380 cSt / mm ² /s (93 to 1761 SSU)						
Pressure Fluid Temperature Recommended Maximum	+30°C to +50°C (+86°F to +122°F) -20°C to +70°C (-4°F to +158°F)						
Filtration	ISO 4406 (1999), 18/16/13						
Electrical (solenoid)							
Duty Cycle	100% ED CAUTION: Coil temperature up to 180°C (356°F) possible						
Max. Switching Frequency	16,000 (DC), 7200 (AC)						
Protection Class	IP65 in accordance with EN 60529 (plugged and mounted)						
	Code	G0R	G0Q	GAR	GAG	W30	W31
Supply Voltage		12V	24V	98V	205V	110 at 50Hz 120 at 60Hz	230 at 50Hz 240 at 60Hz
Supply Tolerance		+5...-10	+5...-10	+5...-10	+5...-10	+5...-10	+5...-10
Power Consumption	Hold	31W	31W	31W	31W	78W	78W
	In Rush	31W	31W	31W	31W	264W	264W
Solenoid Connection	Connector as per EN 175301-803						
Wiring Minimum	3 x 1.5 mm ² recommended						
Wiring Length Maximum	50 m (164 ft.) recommended						

R4U.indd, dd

D





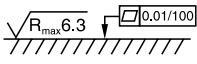
Inch equivalents for millimeter dimensions are shown in (**)

NG	ISO-code	x1	x2	x3	x4	x5	x6	x7	y1	y2	y3	y4	y5	y6
10	5781-06-07-0-00	42.9 (1.69)	35.8 (1.41)	21.5 (0.85)	–	7.2 (0.28)	21.5 (0.85)	31.8 (1.25)	66.7 (2.63)	58.8 (2.31)	33.4 (1.31)	7.9 (0.31)	–	–
25	5781-08-10-0-00	60.3 (2.37)	49.2 (1.94)	39.7 (1.56)	–	11.1 (0.44)	20.6 (0.81)	44.5 (1.75)	79.4 (3.13)	73.0 (2.87)	39.7 (1.56)	6.4 (0.25)	–	–
32	5781-10-13-0-00	84.2 (3.31)	67.5 (2.66)	59.5 (2.34)	42.1 (1.66)	16.7 (0.66)	24.6 (0.97)	62.7 (2.47)	96.8 (3.81)	92.8 (3.65)	48.4 (1.91)	3.8 (0.15)	–	–

Tolerance at X and Y pin holes and screw holes ±0.1, at port holes ±0.2.

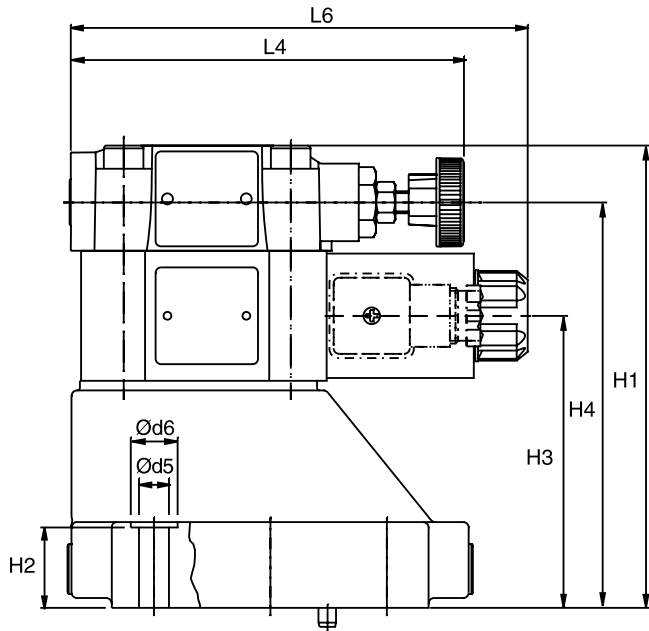
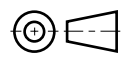
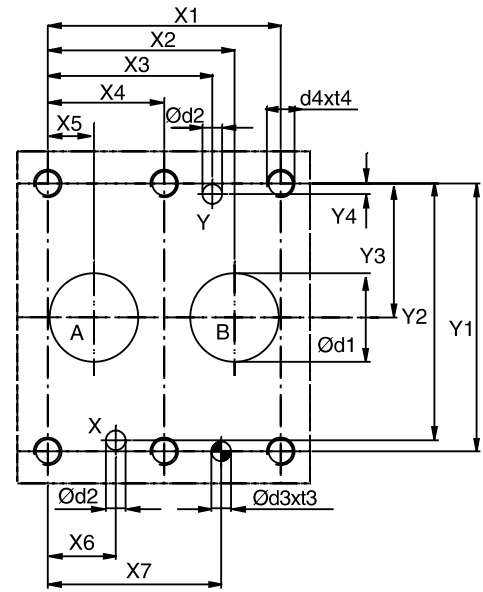
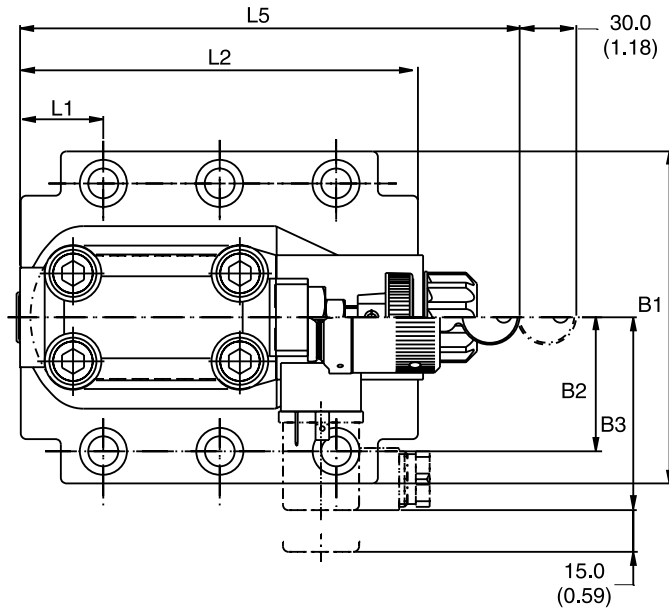
NG	ISO-code	B1	B2	H1	H2	H3	H4	H5	H6	L1	L2	L3	L4	L5	L6
10	5781-06-07-0-00	87.3 (3.44)	33.4 (1.31)	83.0 (3.27)	21.0 (0.83)	62.5 (2.46)	–	–	–	29.0 (1.14)	94.8 (3.73)	–	141.0 (5.55)	181.0 (7.13)	–
25	5781-08-10-0-00	105.0 (4.13)	39.7 (1.56)	109.5 (4.31)	29.0 (1.14)	89.0 (3.50)	–	–	–	34.7 (1.37)	126.8 (4.99)	–	141.0 (5.55)	181.0 (7.13)	–
32	5781-10-13-0-00	120.0 (4.72)	48.4 (1.91)	120.0 (4.72)	29.0 (1.14)	99.5 (3.92)	–	–	–	30.6 (1.20)	144.3 (5.68)	–	141.0 (5.55)	181.0 (7.13)	–

NG	ISO-code	d1max	d2max	d3	t3	d4	t4	d5	d6
10	5781-06-07-0-00	15.0 (0.59)	7.0 (0.28)	7.1 (0.28)	8.0 (0.31)	M10	16.0 (0.63)	10.8 (0.43)	17.0 (0.67)
25	5781-08-10-0-00	23.4 (0.92)	7.1 (0.28)	7.1 (0.28)	8.0 (0.31)	M10	18.0 (0.71)	10.8 (0.43)	17.0 (0.67)
32	5781-10-13-0-00	32.0 (1.26)	7.1 (0.28)	7.1 (0.28)	8.0 (0.31)	M10	20.0 (0.79)	10.8 (0.43)	17.0 (0.67)

NG	ISO-code	Bolt Kit			Seal Nitrile	Kit Fluorocarbon	Surface Finish
10	5781-06-07-0-00	BK505	4xM10 x 35-DIN 912 12.9	63 Nm (46.5 lb.-ft.) ±15%	S26-58507-0	S26-58507-5	
25	5781-08-10-0-00	BK485	4xM10 x 45-DIN 912 12.9	63 Nm (46.5 lb.-ft.) ±15%	S26-58475-0	S26-58475-5	
32	5781-10-13-0-00	BK506	6xM10 x 45-DIN 912 12.9	63 Nm (46.5 lb.-ft.) ±15%	S26-58508-0	S26-58508-5	

NG	ISO-code	Subplate	Size
10	5781-06-07-0-00	SPP3M6B910	A, B = 3/4" BSPP x, y = 1/4" BSPP
25	5781-08-10-0-00	SPP6M8B910	A, B = 1" BSPP x, y = 1/4" BSPP
32	5781-10-13-0-00	SPP10M12B910	A, B = 1 1/2" BSPP x, y = 1/4" BSPP

D






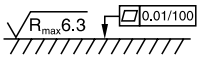
Inch equivalents for millimeter dimensions are shown in (**)

NG	ISO-code	x1	x2	x3	x4	x5	x6	x7	y1	y2	y3	y4	y5	y6
10	5781-06-07-0-00	42.9 (1.69)	35.8 (1.41)	21.5 (0.85)	–	7.2 (0.28)	21.5 (0.85)	31.8 (1.25)	66.7 (2.63)	58.8 (2.31)	33.4 (1.31)	7.9 (0.31)	–	–
25	5781-08-10-0-00	60.3 (2.37)	49.2 (1.94)	39.7 (1.56)	–	11.1 (0.44)	20.6 (0.81)	44.5 (1.75)	79.4 (3.13)	73.0 (2.87)	39.7 (1.56)	6.4 (0.25)	–	–
32	5781-10-13-0-00	84.2 (3.31)	67.5 (2.66)	59.5 (2.34)	42.1 (1.66)	16.7 (0.66)	24.6 (0.97)	62.7 (2.47)	96.8 (3.81)	92.8 (3.65)	48.4 (1.91)	3.8 (0.15)	–	–

Tolerance at X and Y pin holes and screw holes ±0.1, at port holes ±0.2.

NG	ISO-code	B1	B2	B3	H1	H2	H3	H4	H5	H6	L1	L2	L3	L4	L5	L6
10	5781-06-07-0-00	87.3 (3.44)	33.4 (1.31)	70.0 (2.76)	130.0 (5.12)	21.0 (0.83)	68.5 (2.70)	109.5 (4.13)	–	–	29.0 (1.14)	94.8 (3.73)	–	141.0 (5.55)	181.0 (7.13)	165.6 (6.52)
25	5781-08-10-0-00	105.0 (4.13)	39.7 (1.56)	70.0 (2.76)	156.5 (6.16)	29.0 (1.14)	95.0 (3.74)	136.0 (5.35)	–	–	34.7 (1.37)	126.8 (4.99)	–	141.0 (5.55)	181.0 (7.13)	165.6 (6.52)
32	5781-10-13-0-00	120.0 (4.72)	48.4 (1.91)	70.0 (2.76)	167.0 (6.57)	29.0 (1.14)	105.5 (4.15)	146.5 (5.77)	–	–	30.6 (1.20)	144.3 (5.68)	–	141.0 (5.55)	181.0 (7.13)	165.6 (6.52)

NG	ISO-code	d1max	d2max	d3	t3	d4	t4	d5	d6
10	5781-06-07-0-00	15.0 (0.59)	7.0 (0.28)	7.1 (0.28)	8.0 (0.31)	M10	16.0 (0.63)	10.8 (0.43)	17.0 (0.67)
25	5781-08-10-0-00	23.4 (0.92)	7.1 (0.28)	7.1 (0.28)	8.0 (0.31)	M10	18.0 (0.71)	10.8 (0.43)	17.0 (0.67)
32	5781-10-13-0-00	32.0 (1.26)	7.1 (0.28)	7.1 (0.28)	8.0 (0.31)	M10	20.0 (0.79)	10.8 (0.43)	17.0 (0.67)

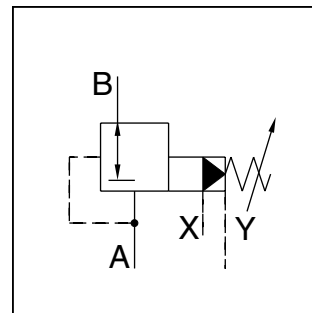
NG	ISO-code	Bolt Kit			Seal Nitrile	 Kii Fluorocarbon	Surface Finish
10	5781-06-07-0-00	BK505	4xM10 x 35-DIN 912 12.9	63 Nm (46.5 lb.-ft.) ±15%	S26-58507-0*	S26-58507-5*	
25	5781-08-10-0-00	BK485	4xM10 x 45-DIN 912 12.9	63 Nm (46.5 lb.-ft.) ±15%	S26-58475-0*	S26-58475-5*	
32	5781-10-13-0-00	BK506	6xM10 x 45-DIN 912 12.9	63 Nm (46.5 lb.-ft.) ±15%	S26-58508-0*	S26-58508-5*	
VV01					S56-40609-0	S56-40609-5	

*Please combine seal kit of one size with seal kit of VV01 DC / AC solenoid for complete seal kit.

NG	ISO-code	Subplate	Size
10	5781-06-07-0-00	SPP3M6B910	A, B = 3/4" BSPP x, y = 1/4" BSPP
25	5781-08-10-0-00	SPP6M8B910	A, B = 1" BSPP x, y = 1/4" BSPP
32	5781-10-13-0-00	SPP10M12B910	A, B = 1 1/2" BSPP x, y = 1/4" BSPP

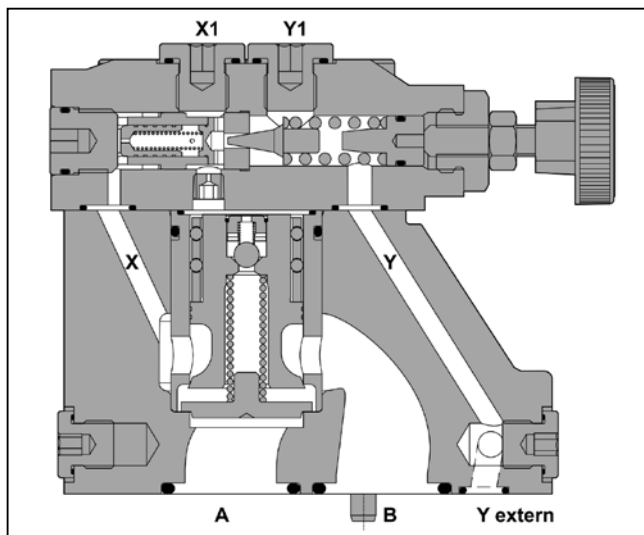
General Description

Series R4R pressure reducing valves are used to control the pressure in the secondary part of the hydraulic system. Independent of the primary pressure the secondary pressure is reduced to the pressure setting. In order to avoid undesired motion the valves are normally closed.



Specifications

Size	NG10, NG25, NG32
Interface	Subplate mounting acc. ISO 5781
Mounting Pos.	As desired, horizontal mounting preferred
Ambient Temp.	-20°C to +80°C (-4°F to +176°F)
Max. Oper. Pressure	Ports A, B and X: 350 Bar (5075 PSI), Port Y: depressurized
Pressure Range	up to 105, 210, 350 Bar (1523, 3045, 5075 PSI)
Nominal Flow	Size NG10: 150 LPM (39.7 GPM) Size NG25: 350 LPM (92.6 GPM) Size NG32: 500 LPM (132.3 GPM)
Pressure Fluid	Hydraulic oil according to DIN 51524... 51525
Pressure Fluid Temperature	Recommended: +30C to +50°C (86°F to +122°F) Maximum: -20°C to +70°C (-4°F to +158°F)
Viscosity	Recommended: 30 to 50 cSt (mm ² /s) Maximum: 20 to 380 cSt (mm ² /s)
Filtration	ISO 4406 (1999), 18/16/13



Features

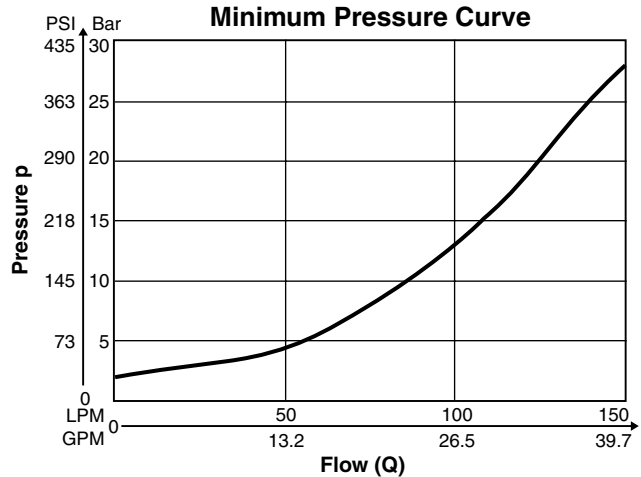
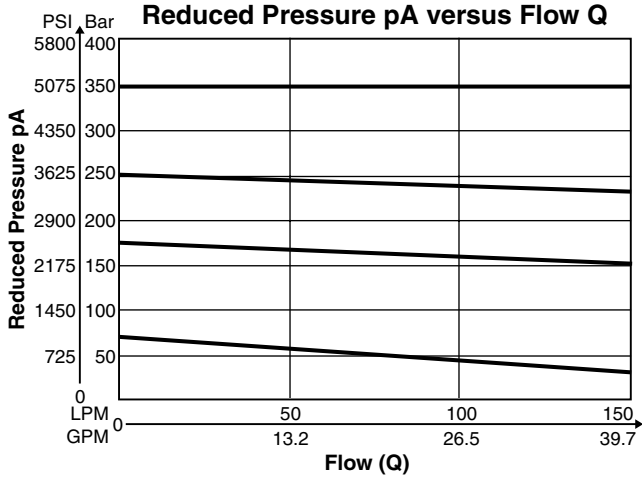
- Subplate mounting acc. to ISO 5781.
- Normally closed to avoid unintended motion.
- 3 pressure ranges.
- Three adjustment modes:
 - Hand knob
 - Acorn nut with lead seal
 - Key lock

Ordering Information

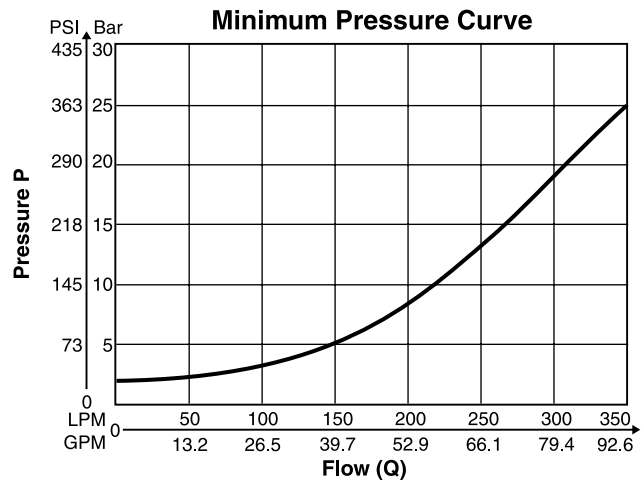
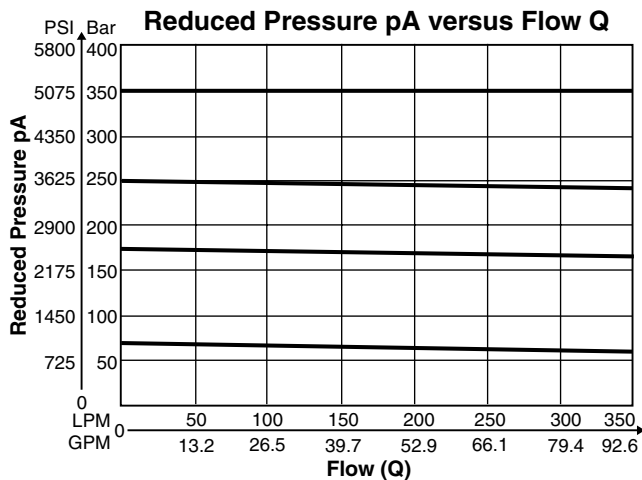
<div style="border: 1px solid black; padding: 2px; width: 30px; margin: 0 auto;">R</div> <p>Pressure Reducing Valve</p>	<div style="border: 1px solid black; padding: 2px; width: 30px; margin: 0 auto;">4</div> <p>Interface</p>	<div style="border: 1px solid black; padding: 2px; width: 30px; margin: 0 auto;">R</div> <p>Reducing Function</p>	<div style="border: 1px solid black; padding: 2px; width: 30px; margin: 0 auto;"></div> <p>Size</p>	<p>—</p> <div style="border: 1px solid black; padding: 2px; width: 30px; margin: 0 auto;">5</div> <p>Maximum Pressure 350 Bar (5075 PSI)</p>	<div style="border: 1px solid black; padding: 2px; width: 30px; margin: 0 auto;">7</div> <p>Body Mounting</p>	<div style="border: 1px solid black; padding: 2px; width: 30px; margin: 0 auto;"></div> <p>Pressure Range</p>	<div style="border: 1px solid black; padding: 2px; width: 30px; margin: 0 auto;"></div> <p>Adjustment</p>	<div style="border: 1px solid black; padding: 2px; width: 30px; margin: 0 auto;"></div> <p>Pilot Oil</p>	<div style="border: 1px solid black; padding: 2px; width: 30px; margin: 0 auto;">B</div> <p>Design Series</p>	<div style="border: 1px solid black; padding: 2px; width: 30px; margin: 0 auto;"></div> <p>Seal</p>	<div style="border: 1px solid black; padding: 2px; width: 30px; margin: 0 auto;"></div> <p>Options Check with Factory</p>																				
		<table border="1" style="width: 100%; border-collapse: collapse;"> <thead> <tr> <th>Code</th> <th>Description</th> </tr> </thead> <tbody> <tr> <td>03</td> <td>NG10</td> </tr> <tr> <td>06</td> <td>NG25</td> </tr> <tr> <td>10</td> <td>NG32</td> </tr> </tbody> </table> <p>Mounting: Subplate mounting</p>		Code	Description	03	NG10	06	NG25	10	NG32	<table border="1" style="width: 100%; border-collapse: collapse;"> <thead> <tr> <th>Code</th> <th>Description</th> </tr> </thead> <tbody> <tr> <td>1</td> <td>up to 105 Bar (1523 PSI)</td> </tr> <tr> <td>3</td> <td>up to 210 Bar (3045 PSI)</td> </tr> <tr> <td>5</td> <td>up to 350 Bar (5075 PSI)</td> </tr> </tbody> </table>		Code	Description	1	up to 105 Bar (1523 PSI)	3	up to 210 Bar (3045 PSI)	5	up to 350 Bar (5075 PSI)			<table border="1" style="width: 100%; border-collapse: collapse;"> <thead> <tr> <th>Code</th> <th>Description</th> </tr> </thead> <tbody> <tr> <td>1</td> <td>Nitrile</td> </tr> <tr> <td>5</td> <td>Fluorocarbon</td> </tr> </tbody> </table>		Code	Description	1	Nitrile	5	Fluorocarbon
Code	Description																														
03	NG10																														
06	NG25																														
10	NG32																														
Code	Description																														
1	up to 105 Bar (1523 PSI)																														
3	up to 210 Bar (3045 PSI)																														
5	up to 350 Bar (5075 PSI)																														
Code	Description																														
1	Nitrile																														
5	Fluorocarbon																														
<table border="1" style="width: 100%; border-collapse: collapse;"> <thead> <tr> <th>Code</th> <th>Interface</th> </tr> </thead> <tbody> <tr> <td>4</td> <td>Subplate Mounting ISO 5781</td> </tr> </tbody> </table>		Code	Interface	4	Subplate Mounting ISO 5781			<table border="1" style="width: 100%; border-collapse: collapse;"> <thead> <tr> <th>Code</th> <th>Description</th> </tr> </thead> <tbody> <tr> <td>1</td> <td>Hand Knob 32mm dia. Std.</td> </tr> <tr> <td>3</td> <td>Acorn Nut with Lead Seal</td> </tr> <tr> <td>4</td> <td>Key Lock</td> </tr> </tbody> </table>		Code	Description	1	Hand Knob 32mm dia. Std.	3	Acorn Nut with Lead Seal	4	Key Lock	<table border="1" style="width: 100%; border-collapse: collapse;"> <thead> <tr> <th>Code</th> <th>Description</th> <th>Pilot</th> <th>Drain</th> </tr> </thead> <tbody> <tr> <td>1</td> <td>Internal</td> <td>External from Y</td> <td></td> </tr> <tr> <td>2</td> <td>Internal</td> <td>External from Y1</td> <td></td> </tr> </tbody> </table>		Code	Description	Pilot	Drain	1	Internal	External from Y		2	Internal	External from Y1	
Code	Interface																														
4	Subplate Mounting ISO 5781																														
Code	Description																														
1	Hand Knob 32mm dia. Std.																														
3	Acorn Nut with Lead Seal																														
4	Key Lock																														
Code	Description	Pilot	Drain																												
1	Internal	External from Y																													
2	Internal	External from Y1																													
		<p>Weight:</p> <p>R4R03: 4.8 kg (10.6 lbs.) R4R06: 7.2 kg (15.9 lbs.) R4R10: 13.5 kg (29.8 lbs.)</p>																													

R4R.indd, dd

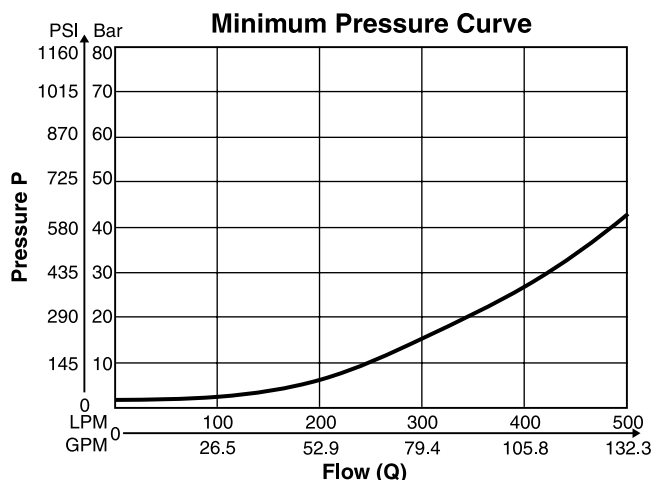
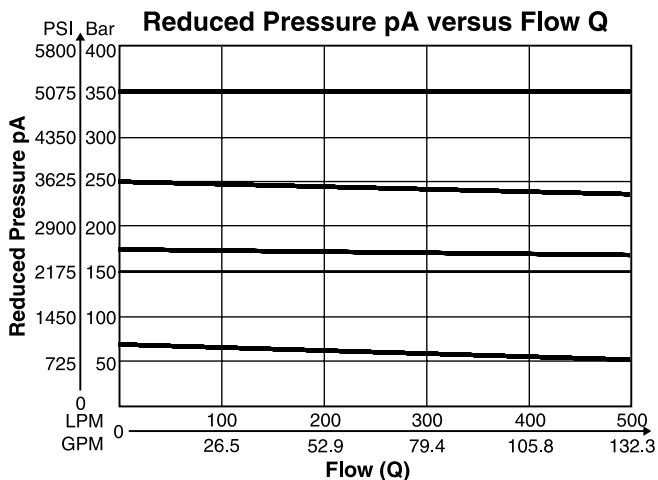
R4R03 ¹⁾



R4R06 ¹⁾



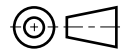
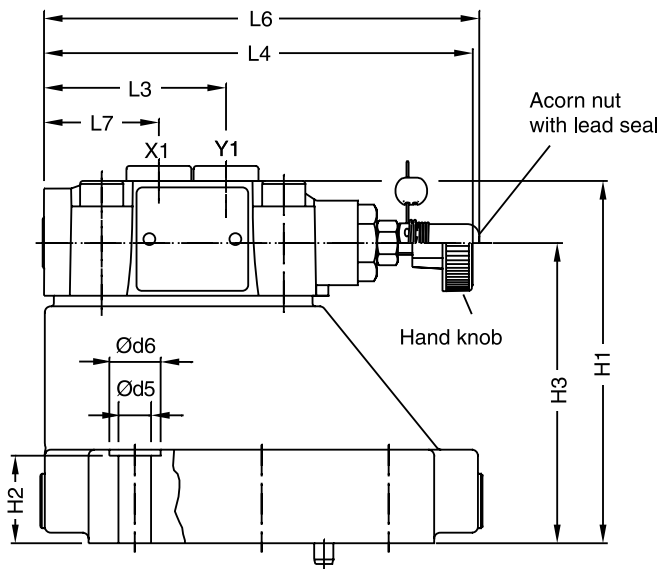
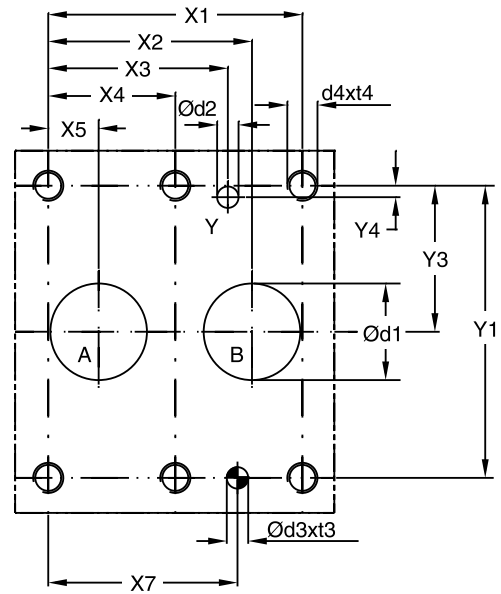
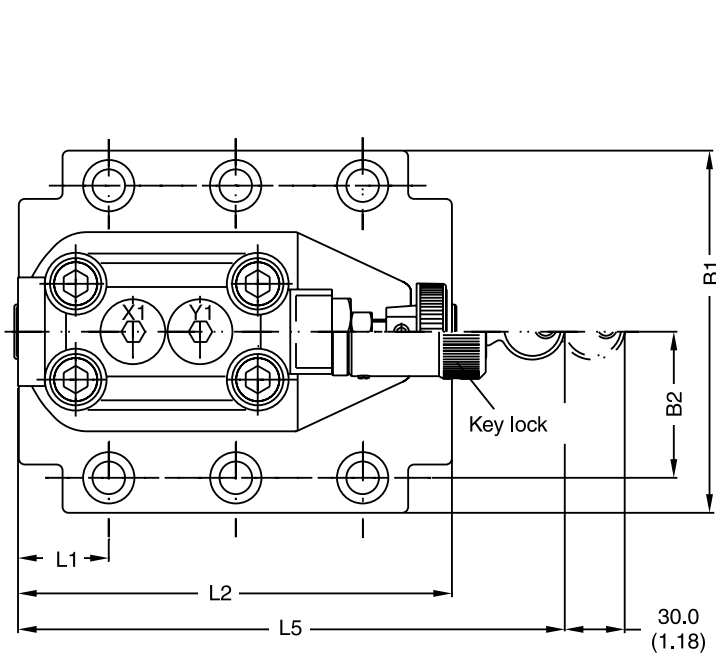
R4R10 ¹⁾



¹⁾ Measured at 350 Bar (5075 PSI) primary pressure pB.



D



Inch equivalents for millimeter dimensions are shown in (**)



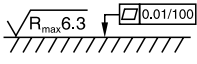
NG	ISO-code	x1	x2	x3	x4	x5	x6	x7	y1	y2	y3	y4	y5	y6
10	5781-06-07-0-00	42.9 (1.69)	35.8 (1.41)	21.5 (0.85)	— —	7.2 (0.28)	— —	31.8 (1.25)	66.7 (2.63)	— —	33.4 (1.31)	7.9 (0.31)	— —	— —
25	5781-08-10-0-00	60.3 (2.37)	49.2 (1.94)	39.7 (1.56)	— —	11.1 (0.44)	— —	44.5 (1.75)	79.4 (3.13)	— —	39.7 (1.56)	6.4 (0.25)	— —	— —
32	5781-10-13-0-00	84.2 (3.31)	67.5 (2.66)	59.5 (2.34)	42.1 (1.66)	16.7 (0.66)	— —	62.7 (2.47)	96.8 (3.81)	— —	48.4 (1.92)	3.8 (0.15)	— —	— —

Tolerance for all dimensions ±0.2

NG	ISO-code	B1	B2	H1	H2	H3	H4	H5	H6	L1	L2	L3	L4	L5	L7
10	5781-06-07-0-00	87.3 (3.44)	33.4 (1.31)	83.0 (3.27)	21.0 (0.83)	62.5 (2.46)	— —	— —	— —	29.0 (1.14)	94.8 (3.73)	60.8 (2.39)	141.0 (5.55)	181.0 (7.13)	38.6 (1.52)
25	5781-08-10-0-00	105.0 (4.13)	39.7 (1.56)	109.5 (4.31)	29.0 (1.14)	89.0 (3.50)	— —	— —	— —	34.7 (1.37)	126.8 (4.99)	60.8 (2.39)	141.0 (5.55)	181.0 (7.13)	38.6 (1.52)
32	5781-10-13-0-00	120.0 (4.72)	48.4 (1.91)	120.0 (4.72)	29.0 (1.14)	99.5 (3.92)	— —	— —	— —	30.6 (1.20)	144.3 (5.68)	60.8 (2.39)	141.0 (5.55)	181.0 (7.13)	38.6 (1.52)



NG	ISO-code	d1max	d2max	d3	t3	d4	t4	d5	d6
10	5781-06-07-0-00	15.0 (0.59)	7.0 (0.28)	7.1 (0.28)	8.0 (0.31)	M10	16.0 (0.63)	10.8 (0.43)	17.0 (0.67)
25	5781-08-10-0-00	23.4 (0.92)	7.1 (0.28)	7.1 (0.28)	8.0 (0.31)	M10	18.0 (0.71)	10.8 (0.43)	17.0 (0.67)
32	5781-10-13-0-00	32.0 (1.26)	7.1 (0.28)	7.1 (0.28)	8.0 (0.31)	M10	20.0 (0.79)	10.8 (0.43)	17.0 (0.67)

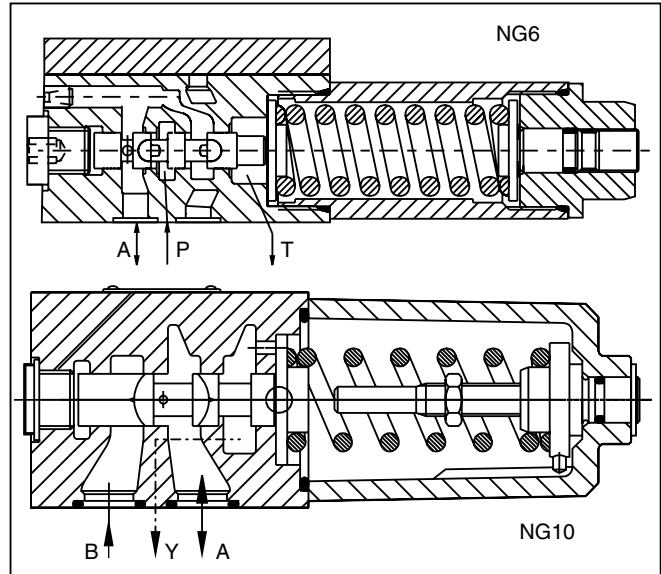
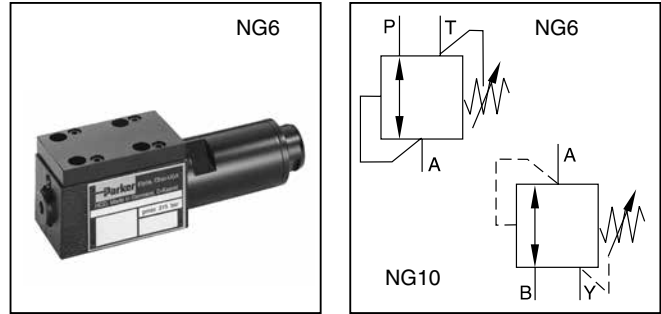
NG	ISO-code	Bolt Kit			Seal Nitrile	Kit Fluorocarbon	Surface Finish
10	5781-06-07-0-00	BK505	4xM10 x 35-DIN 912 12.9	63 Nm (46.5 lb.-ft.) ±15%	S26-58507-0	S26-58507-5	
25	5781-08-10-0-00	BK485	4xM10 x 45-DIN 912 12.9	63 Nm (46.5 lb.-ft.) ±15%	S26-58475-0	S26-58475-5	
32	5781-10-13-0-00	BK506	6xM10 x 45-DIN 912 12.9	63 Nm (46.5 lb.-ft.) ±15%	S26-58508-0	S26-58508-5	

NG	ISO-code	Subplate	Size
10	5781-06-07-0-00	SPP3M6B910	A, B = 3/4" BSPP x, y = 1/4" BSPP
25	5781-08-10-0-00	SPP6M8B910	A, B = 1" BSPP x, y = 1/4" BSPP
32	5781-10-13-0-00	SPP10M12B910	A, B = 1 1/2" BSPP x, y = 1/4" BSPP

General Description

Series VM direct operated, pressure reducing valve with manual adjustment. Series VM is a direct-controlled, spring loaded 3-way pressure reducing valve, that is open in neutral position. The valve closes the connection from P to A (NG6) or B to A (NG10) when the pre-set pressure is exceeded.

If the pressure increases due to an external influence in connection A, the spool moves and opens the connection from A to T (NG6) or A to Y (NG10) until the pre-set pressure is reached.



D Features

- Spool type valve.
- Manifold mounting acc. to ISO 5871.
- 5 pressure ranges at NG6.
- 3 pressure ranges at NG10.
- 2 adjustment modes.

Ordering Information

<div style="border: 1px solid black; padding: 2px; width: 30px; height: 30px; margin: 0 auto; display: flex; align-items: center; justify-content: center; font-weight: bold;">V</div> <p>Pressure Reducing Valve</p>	<div style="border: 1px solid black; padding: 2px; width: 30px; height: 30px; margin: 0 auto; display: flex; align-items: center; justify-content: center; font-weight: bold;">M</div> <p>Maximum Pressure Setting</p>	<div style="border: 1px solid black; padding: 2px; width: 30px; height: 30px; margin: 0 auto; display: flex; align-items: center; justify-content: center; font-weight: bold;">A</div> <p>Adjustment Screw with Hexagon Socket</p>	<div style="border: 1px solid black; padding: 2px; width: 30px; height: 30px; margin: 0 auto; display: flex; align-items: center; justify-content: center; font-weight: bold;">V</div> <p>Seal Fluorocarbon</p>	<div style="border: 1px solid black; padding: 2px; width: 30px; height: 30px; margin: 0 auto; display: flex; align-items: center; justify-content: center; font-weight: bold;">G</div> <p>Gage Port</p>	<div style="border: 1px solid black; padding: 2px; width: 30px; height: 30px; margin: 0 auto; display: flex; align-items: center; justify-content: center; font-weight: bold;">L</div> <p>Lock</p>	<div style="border: 1px dashed black; padding: 2px; width: 30px; height: 30px; margin: 0 auto; display: flex; align-items: center; justify-content: center; font-weight: bold;">S</div> <p>Design Series NOTE: Not required when ordering.</p>																																
<table border="1" style="width: 100%; border-collapse: collapse;"> <thead> <tr> <th style="text-align: left;">Code</th> <th style="text-align: left;">Description</th> </tr> </thead> <tbody> <tr> <td>025¹⁾</td> <td>25 Bar (363 PSI)</td> </tr> <tr> <td>064</td> <td>64 Bar (928 PSI)</td> </tr> <tr> <td>125²⁾</td> <td>125 Bar (1813 PSI)</td> </tr> <tr> <td>160¹⁾</td> <td>160 Bar (2320 PSI)</td> </tr> <tr> <td>210</td> <td>210 Bar (3045 PSI)</td> </tr> <tr> <td>350¹⁾</td> <td>350 Bar (5075 PSI)</td> </tr> </tbody> </table> <p>¹⁾ NG6 only ²⁾ NG10 only</p>		Code	Description	025 ¹⁾	25 Bar (363 PSI)	064	64 Bar (928 PSI)	125 ²⁾	125 Bar (1813 PSI)	160 ¹⁾	160 Bar (2320 PSI)	210	210 Bar (3045 PSI)	350 ¹⁾	350 Bar (5075 PSI)	<table border="1" style="width: 100%; border-collapse: collapse;"> <thead> <tr> <th style="text-align: left;">Code</th> <th style="text-align: left;">Description</th> </tr> </thead> <tbody> <tr> <td>06</td> <td>NG6</td> </tr> <tr> <td>10</td> <td>NG10</td> </tr> </tbody> </table>		Code	Description	06	NG6	10	NG10	<table border="1" style="width: 100%; border-collapse: collapse;"> <thead> <tr> <th style="text-align: left;">Code</th> <th style="text-align: left;">Description</th> </tr> </thead> <tbody> <tr> <td>G¹⁾</td> <td>1/4" BSPP</td> </tr> <tr> <td>M</td> <td>M18x1.5²⁾ M12x1.5¹⁾</td> </tr> </tbody> </table> <p>¹⁾ NG6 only ²⁾ NG10 only</p>		Code	Description	G ¹⁾	1/4" BSPP	M	M18x1.5 ²⁾ M12x1.5 ¹⁾	<table border="1" style="width: 100%; border-collapse: collapse;"> <thead> <tr> <th style="text-align: left;">Code</th> <th style="text-align: left;">Description</th> </tr> </thead> <tbody> <tr> <td>Omit</td> <td>No Lock</td> </tr> <tr> <td>Z</td> <td>Cylinder Lock</td> </tr> </tbody> </table>	Code	Description	Omit	No Lock	Z	Cylinder Lock
Code	Description																																					
025 ¹⁾	25 Bar (363 PSI)																																					
064	64 Bar (928 PSI)																																					
125 ²⁾	125 Bar (1813 PSI)																																					
160 ¹⁾	160 Bar (2320 PSI)																																					
210	210 Bar (3045 PSI)																																					
350 ¹⁾	350 Bar (5075 PSI)																																					
Code	Description																																					
06	NG6																																					
10	NG10																																					
Code	Description																																					
G ¹⁾	1/4" BSPP																																					
M	M18x1.5 ²⁾ M12x1.5 ¹⁾																																					
Code	Description																																					
Omit	No Lock																																					
Z	Cylinder Lock																																					

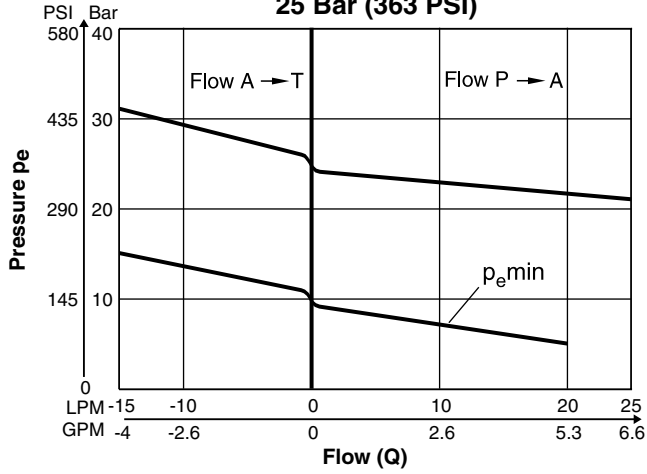
Weight:
 VM*A06 1.3 kg (2.9 lbs.)
 VM*A10 3.7 kg (8.2 lbs.)

General		
Size	NG6	NG10
Interface	Subplate mounting acc. ISO 5781	
Mounting Position	Unrestricted	
Ambient Temperature	-20°C to +70° (-4°F to +158°F)	
Hydraulic		
Working Pressure	Ports P and A 350 Bar (5075 PSI) Port T depressurized	Ports A and B 210 Bar (3045 PSI) Port Y depressurized
Pressure Range	25, 64, 160, 210, 350 Bar (363, 928, 2320, 3045, 5075 PSI)	64, 125, 210 Bar (928, 1813, 3045 PSI)
Nominal Flow	25 LPM (6.6 GPM)	60 LPM (15.9 GPM)
Pressure Fluid	Hydraulic oil according to DIN 51524 ... 525	
Viscosity Recommended Maximum	30 to 50 cSt / mm ² /s (139 to 232 SSU) 20 to 380 cSt / mm ² /s (93 to 1761 SSU)	
Pressure Fluid Temperature Recommended Permitted	+30°C to +50°C (+86°F to +122°F) -20°C to +70° (-4°F to +158°F)	
Filtration	ISO 4406 (1999), 18/16/13	

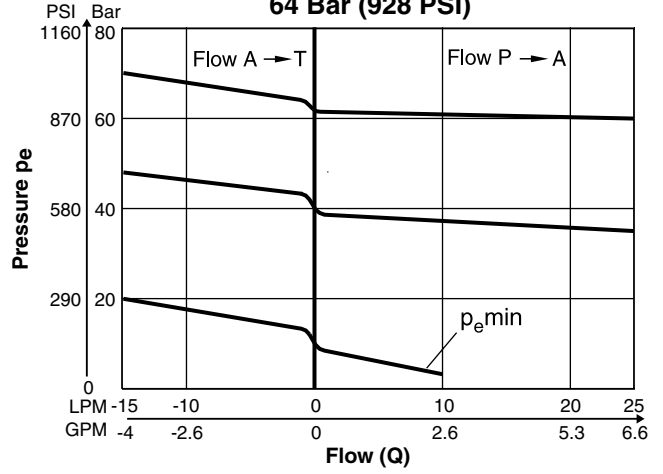
D

VM*06

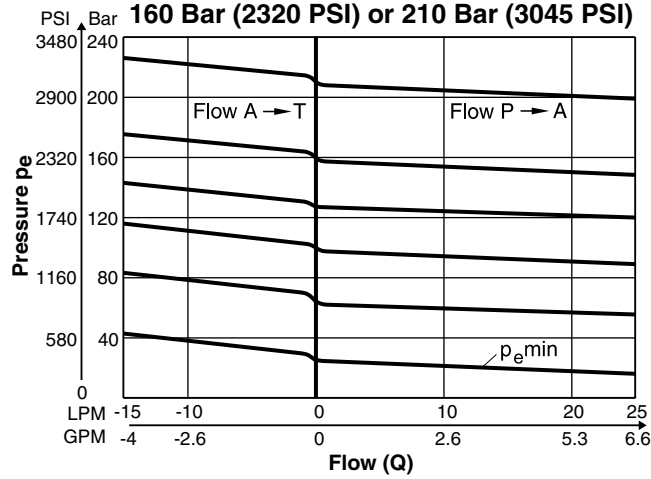
**Maximum Pressure Setting
 25 Bar (363 PSI)**



**Maximum Pressure Setting
 64 Bar (928 PSI)**

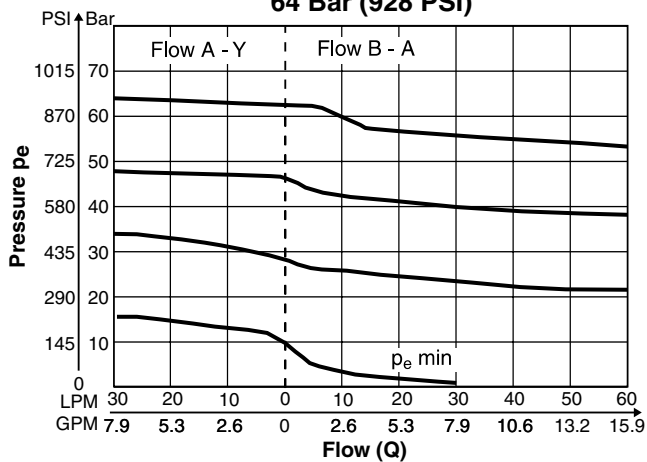


**Maximum Pressure Setting
 160 Bar (2320 PSI) or 210 Bar (3045 PSI)**

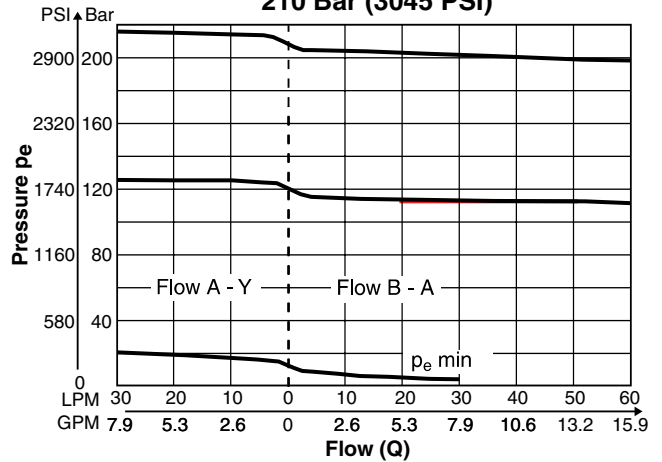


VM*10

**Maximum Pressure Setting
 64 Bar (928 PSI)**



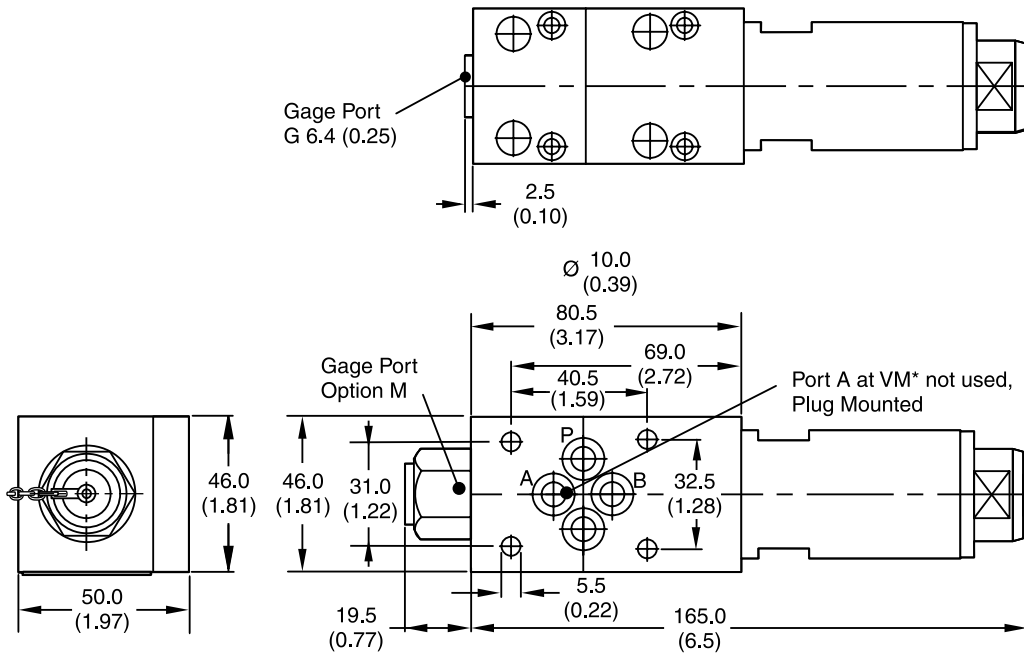
**Maximum Pressure Setting
 210 Bar (3045 PSI)**

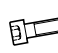
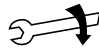

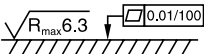


VM.indd, dd

VM*06

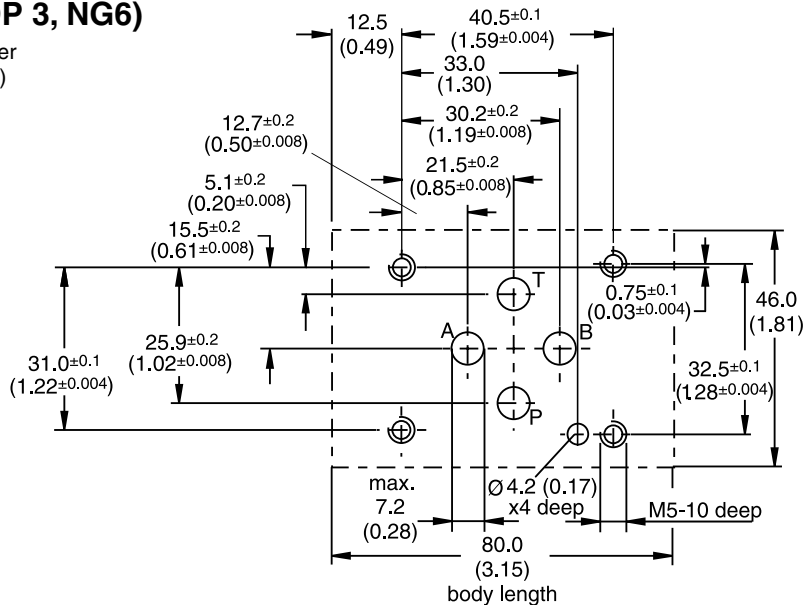
Inch equivalents for millimeter dimensions are shown in (**)



Surface Finish	Bolt Kit  DIN912 12.9		Seal  Kit Fluorocarbon
	BK375 4x M5x30	8.1 Nm (6.0 lb.-ft.)	SK-VB/VM/VS-V

Mounting Pattern ISO 5871-03-04-0-00
(NFPA D03, CETOP 3, NG6)

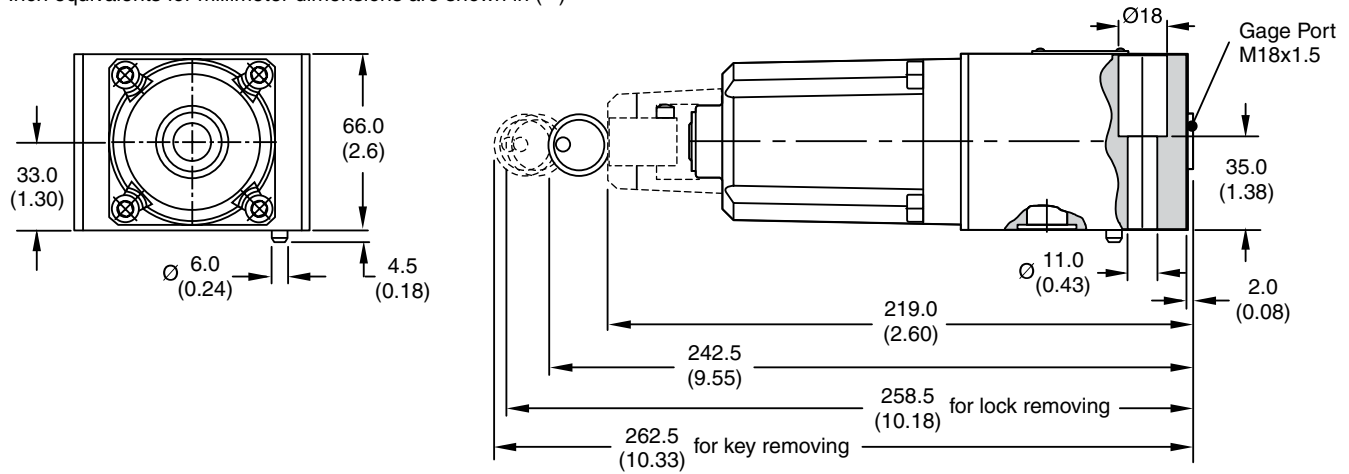
Inch equivalents for millimeter dimensions are shown in (**)



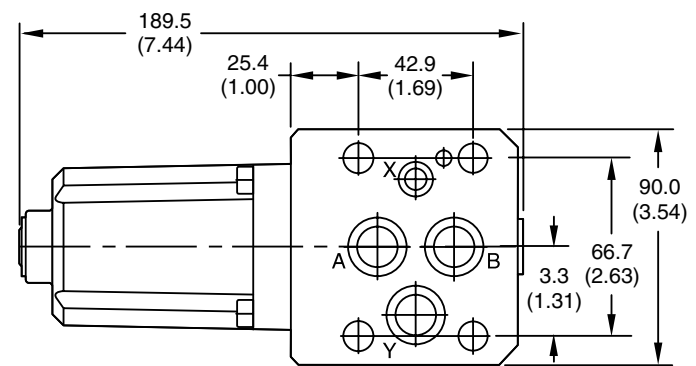
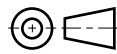
VM.indd, dd

VM*10

Inch equivalents for millimeter dimensions are shown in (**)



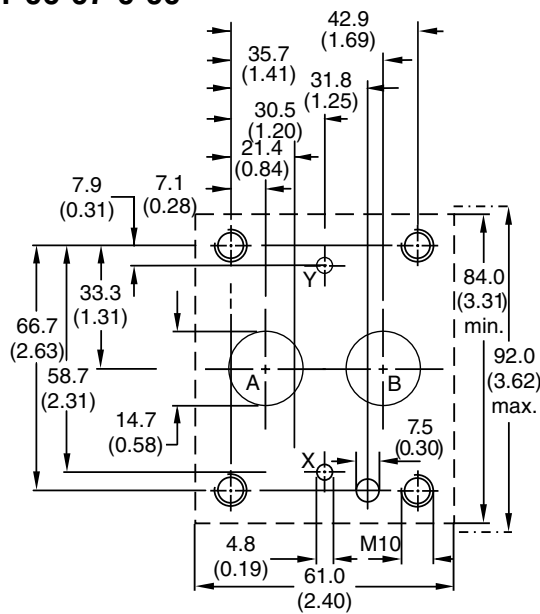
D



Surface Finish	Bolt Kit DIN912 12.9		Seal Kit Fluorocarbon
	BK389 4x M10x50	65 Nm (47.9 lb.-ft.)	SK-VB/VM-A10V

Mounting Pattern ISO 5871-06-07-0-00

Inch equivalents for millimeter dimensions are shown in (**)



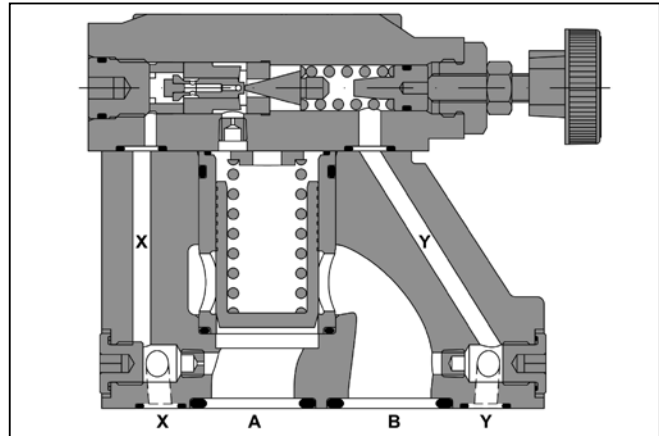
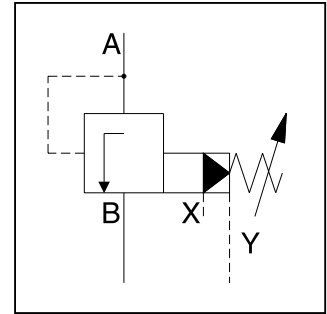
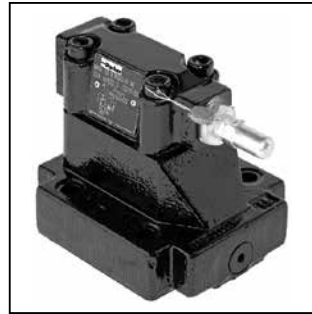
Subplate	Size
SPP3M6B910	A, B = 3/4" BSPP x, y = 1/4" BSPP

General Description

Series R4S pilot operated sequence valves enable a hydraulic system to operate in a pressure sequence. When the system pressure reaches the setting pressure the valve opens and permits flow to the secondary sub-system.

Features

- Pilot-operated sequence valve.
- 3 pressure ranges.
- 3 adjustment modes:
 - Hand knob
 - Acorn nut with lead seal
 - Key lock



Ordering Information

<div style="border: 1px solid black; padding: 2px; width: 30px; margin: 0 auto;">R</div> <p>Pressure Valve</p>	<div style="border: 1px solid black; padding: 2px; width: 30px; margin: 0 auto;">4</div> <p>Interface</p>	<div style="border: 1px solid black; padding: 2px; width: 30px; margin: 0 auto;">S</div> <p>Relief Function</p>	<div style="border: 1px solid black; padding: 2px; width: 30px; margin: 0 auto;">5</div> <p>Maximum Pressure 350 Bar (5075 PSI)</p>	<div style="border: 1px solid black; padding: 2px; width: 30px; margin: 0 auto;">7</div> <p>Body Mounting</p>	<div style="border: 1px solid black; padding: 2px; width: 30px; margin: 0 auto;">1</div> <p>External Drain from Subplate</p>	<div style="border: 1px solid black; padding: 2px; width: 30px; margin: 0 auto;">A</div> <p>Design Series</p>	<div style="border: 1px solid black; padding: 2px; width: 30px; margin: 0 auto;">1</div> <p>Seal</p>																								
		<table border="1" style="width: 100%; border-collapse: collapse;"> <thead> <tr> <th style="text-align: left;">Code</th> <th style="text-align: left;">Description</th> </tr> </thead> <tbody> <tr> <td>03</td> <td>NG10</td> </tr> <tr> <td>06</td> <td>NG25</td> </tr> <tr> <td>10</td> <td>NG32</td> </tr> </tbody> </table>		Code	Description	03	NG10	06	NG25	10	NG32	<table border="1" style="width: 100%; border-collapse: collapse;"> <thead> <tr> <th style="text-align: left;">Code</th> <th style="text-align: left;">Description</th> </tr> </thead> <tbody> <tr> <td>1</td> <td>up to 105 Bar (1523 PSI)</td> </tr> <tr> <td>3</td> <td>up to 210 Bar (3045 PSI)</td> </tr> <tr> <td>5</td> <td>up to 350 Bar (5075 PSI)</td> </tr> </tbody> </table>		Code	Description	1	up to 105 Bar (1523 PSI)	3	up to 210 Bar (3045 PSI)	5	up to 350 Bar (5075 PSI)			<table border="1" style="width: 100%; border-collapse: collapse;"> <thead> <tr> <th style="text-align: left;">Code</th> <th style="text-align: left;">Description</th> </tr> </thead> <tbody> <tr> <td>1</td> <td>Nitrile</td> </tr> <tr> <td>5</td> <td>Fluorocarbon</td> </tr> </tbody> </table>		Code	Description	1	Nitrile	5	Fluorocarbon
Code	Description																														
03	NG10																														
06	NG25																														
10	NG32																														
Code	Description																														
1	up to 105 Bar (1523 PSI)																														
3	up to 210 Bar (3045 PSI)																														
5	up to 350 Bar (5075 PSI)																														
Code	Description																														
1	Nitrile																														
5	Fluorocarbon																														
		<table border="1" style="width: 100%; border-collapse: collapse;"> <thead> <tr> <th style="text-align: left;">Code</th> <th style="text-align: left;">Interface</th> </tr> </thead> <tbody> <tr> <td>4</td> <td>Subplate Mounting ISO 5781</td> </tr> </tbody> </table> <div style="display: flex; justify-content: space-around; margin-top: 5px;"> <div style="text-align: center;"> <p>NG 10 and 25</p> </div> <div style="text-align: center;"> <p>NG 32</p> </div> </div>		Code	Interface	4	Subplate Mounting ISO 5781	<table border="1" style="width: 100%; border-collapse: collapse;"> <thead> <tr> <th style="text-align: left;">Code</th> <th style="text-align: left;">Description</th> </tr> </thead> <tbody> <tr> <td>1</td> <td>Hand Knob 32mm dia. Std.</td> </tr> <tr> <td>3</td> <td>Acorn Nut with Lead Seal</td> </tr> <tr> <td>4</td> <td>Key Lock</td> </tr> </tbody> </table>		Code	Description	1	Hand Knob 32mm dia. Std.	3	Acorn Nut with Lead Seal	4	Key Lock			<p>Weight:</p> <p>R4S03: 2.7 kg (6.0 lbs.)</p> <p>R4S06: 4.5 kg (9.0 lbs.)</p> <p>R4S10: 6.0 kg (13.2 lbs.)</p>											
Code	Interface																														
4	Subplate Mounting ISO 5781																														
Code	Description																														
1	Hand Knob 32mm dia. Std.																														
3	Acorn Nut with Lead Seal																														
4	Key Lock																														

Specifications

General		NG10	NG25	NG32
Size				
Interface	Subplate mounting acc. ISO 5781			
Mounting Position	As desired, horizontal mounting preferred			
Ambient Temperature	-20°C to +80°C (-4°F to +176°F)			
Hydraulic				
Operating Pressure	Ports A, B and X up to 350 Bar (5075 PSI), Port Y: depressurized			
Pressure Range	up to 105, 210, 350 Bar (1523, 3045, 5075 PSI)			
Nominal Flow	150 LPM (39.7 GPM)	350 LPM (92.6 GPM)	650 LPM (172.0 GPM)	
Pressure Fluid	Hydraulic oil according to DIN 51524 ... 51525			
Viscosity Recommended Maximum	30 to 50 cSt / mm ² /s (139 to 232 SSU) 20 to 380 cSt / mm ² /s (93 to 1761 SSU)			
Pressure Fluid Temperature Recommended Maximum	+30°C to +50°C (+86°F to +122°F) -20°C to +70° (-4°F to +158°F)			
Filtration	ISO 4406 (1999), 18/16/13			

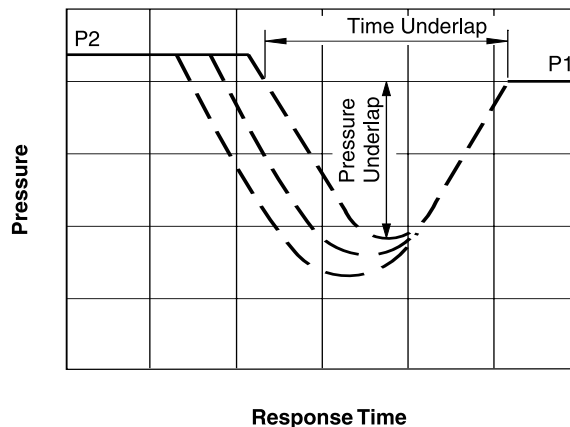


Performance Curves

Typical pressure curves at closing point

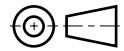
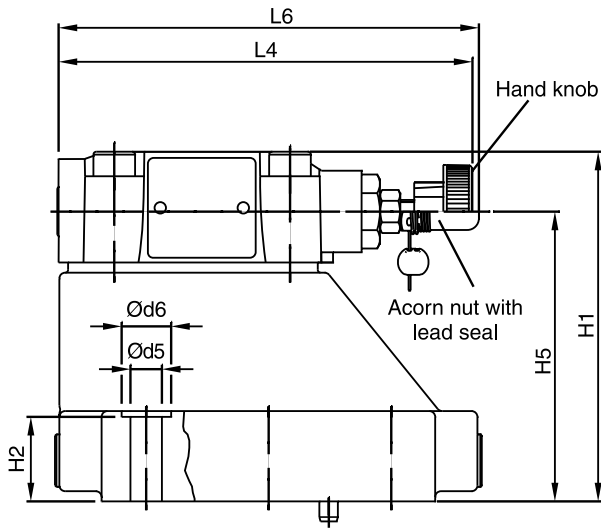
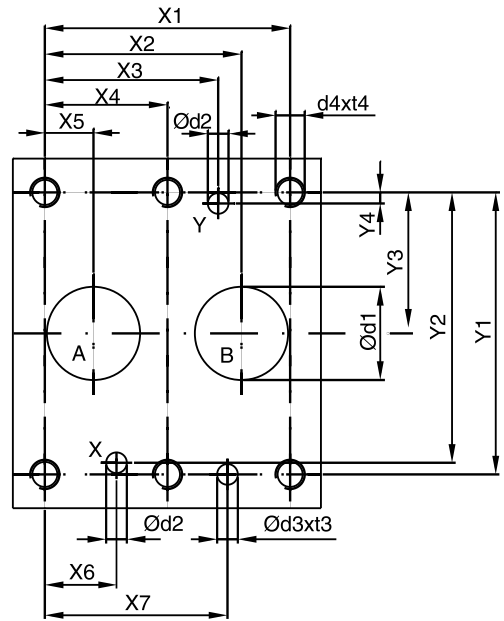
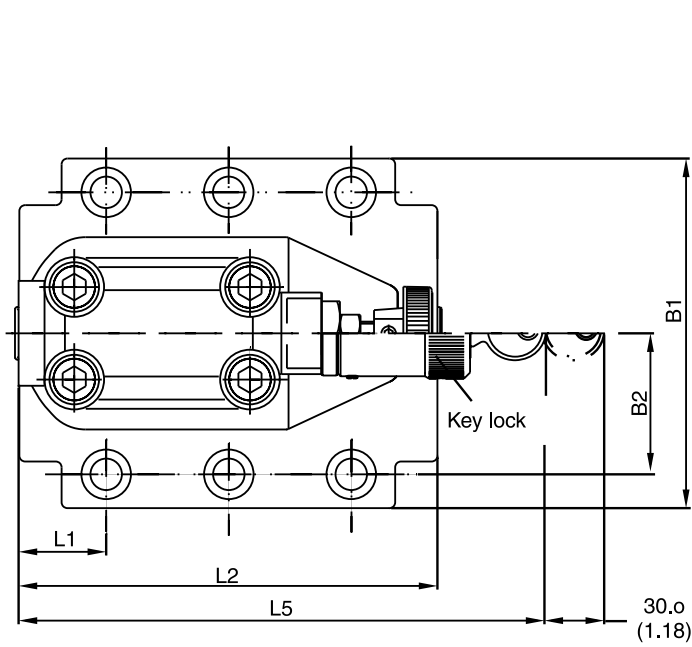
P1 = setting pressure

P2 = operating pressure



Note:
 Time and pressure underlap depend on the characteristics of a specific system.

D





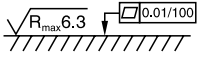
Inch equivalents for millimeter dimensions are shown in (**)

NG	ISO-code	x1	x2	x3	x4	x5	x6	x7	y1	y2	y3	y4	y5	y6
10	5781-06-07-0-00	42.9 (1.69)	35.8 (1.41)	21.5 (0.85)	–	7.2 (0.28)	21.5 (0.85)	31.8 (1.25)	66.7 (2.63)	58.8 (2.31)	33.4 (1.31)	7.9 (0.31)	–	–
25	5781-08-10-0-00	60.3 (2.37)	49.2 (1.94)	39.7 (1.56)	–	11.1 (0.44)	20.6 (0.81)	44.5 (1.75)	79.4 (3.13)	73.0 (2.87)	39.7 (1.56)	6.4 (0.25)	–	–
32	5781-10-13-0-00	84.2 (3.31)	67.5 (2.66)	59.5 (2.34)	42.1 (1.66)	16.7 (0.66)	24.6 (0.97)	62.7 (2.47)	96.8 (3.81)	92.8 (3.65)	48.4 (1.91)	3.8 (0.15)	–	–

Tolerance at X and Y pin holes and screw holes ±0.1, at port holes ±0.2.

NG	ISO-code	B1	B2	H1	H2	H3	H4	H5	H6	L1	L2	L3	L4	L5	L6
10	5781-06-07-0-00	87.3 (3.44)	33.4 (1.31)	83.0 (3.27)	21.0 (0.83)	62.5 (2.46)	–	–	–	29.0 (1.14)	94.8 (3.73)	–	141.0 (5.55)	181.0 (7.13)	–
25	5781-08-10-0-00	105.0 (4.13)	39.7 (1.56)	109.5 (4.31)	29.0 (1.14)	89.0 (3.50)	–	–	–	34.7 (1.37)	126.8 (4.99)	–	141.0 (5.55)	181.0 (7.13)	–
32	5781-10-13-0-00	120.0 (4.72)	48.4 (1.91)	120.0 (4.72)	29.0 (1.14)	99.5 (3.92)	–	–	–	30.6 (1.20)	144.3 (5.68)	–	141.0 (5.55)	181.0 (7.13)	–

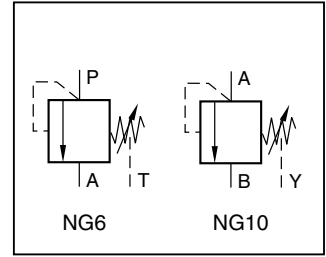
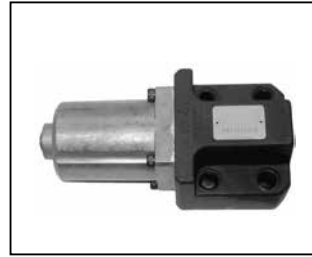
NG	ISO-code	d1max	d2max	d3	t3	d4	t4	d5	d6
10	5781-06-07-0-00	15.0 (0.59)	7.0 (0.28)	7.1 (0.28)	8.0 (0.31)	M10	16.0 (0.63)	10.8 (0.43)	17.0 (0.67)
25	5781-08-10-0-00	23.4 (0.92)	7.1 (0.28)	7.1 (0.28)	8.0 (0.31)	M10	18.0 (0.71)	10.8 (0.43)	17.0 (0.67)
32	5781-10-13-0-00	32.0 (1.26)	7.1 (0.28)	7.1 (0.28)	8.0 (0.31)	M10	20.0 (0.79)	10.8 (0.43)	17.0 (0.67)

NG	ISO-code	Bolt Kit			Seal Nitrile	Kit Fluorocarbon	Surface Finish
10	5781-06-07-0-00	BK505	4xM10 x 35-DIN 912 12.9	63 Nm (46.5 lb.-ft.) ±15%	S26-58507-0	S26-58507-5	
25	5781-08-10-0-00	BK485	4xM10 x 45-DIN 912 12.9	63 Nm (46.5 lb.-ft.) ±15%	S26-58475-0	S26-58475-5	
32	5781-10-13-0-00	BK506	6xM10 x 45-DIN 912 12.9	63 Nm (46.5 lb.-ft.) ±15%	S26-58508-0	S26-58508-5	

NG	ISO-code	Subplate	Size
10	5781-06-07-0-00	SPP3M6B910	A, B = 3/4" BSPP x, y = 1/4" BSPP
25	5781-08-10-0-00	SPP6M8B910	A, B = 1" BSPP x, y = 1/4" BSPP
32	5781-10-13-0-00	SPP10M12B910	A, B = 1 1/2" BSPP x, y = 1/4" BSPP

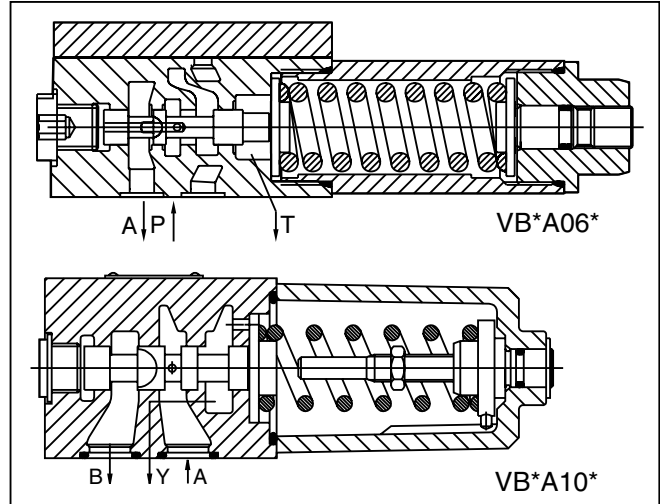
General Description

Series VB are direct operated pressure relief valves with manual adjustment. Series VB valves can also be used as pressure sequence valves because of the high pressure capability in the outlet port and the external drain port.



Specifications

Size	NG6, NG10
Interface	ISO 5791
Mounting Pos.	Unrestricted
Ambient Temp.	-20°C to +80°C (-4°F to +176°F)
Max. Operating Pressure	Size 6: Ports P and A 350 Bar (5075 PSI), Port T depressurized Size 10: Ports A and B 315 Bar (4568 PSI), Port Y depressurized
Pressure Range	Size 6: 25, 64, 160, 210, 350 Bar (363, 928, 2320, 3045, 5075 PSI) Size 10: 64, 125, 210 Bar (928, 1813, 3045 PSI)
Nominal Flow	Size 6: 25 LPM (6.6 GPM) Size 10: 60 LPM (15.9 GPM)
Pressure Fluid	Hydraulic oil according to DIN 51524 ... 525
Pressure Fluid Temperature	Recommended: +30C to +50°C (+86°F to +122°F) Permitted: -20°C to +70°C (-4°F to +158°F)
Viscosity	Recommended: 30 to 50 cSt (mm ² /s) Permitted: 20 to 380 cSt (mm ² /s)
Filtration	ISO 4406 (1999), 18/16/13



Features

- Spool valve.
- Manifold mounting.
- Five pressure ranges at NG6.
- Three pressure ranges at NG10.
- Two adjustment modes.

Ordering Information

VB

Sequence Valve

□

Maximum Pressure Setting

A

Adjustment Screw with Hexagon Socket

□

Size

V

Seal Fluorocarbon

□

Gauge Port

□

Lock

□

Design Series

NOTE:
Not required when ordering.

Code	Description
025 ¹⁾	25 Bar (363 PSI)
064	64 Bar (938 PSI)
125 ²⁾	125 Bar (1813 PSI)
160 ¹⁾	160 Bar (2320 PSI)
210	210 Bar (3045 PSI)
350 ¹⁾	350 Bar (5075 PSI)

Code	Description
06	NG6
10	NG10

Code	Description
G ¹⁾	G 1/4"
M	M12x1.5

¹⁾ only NG6

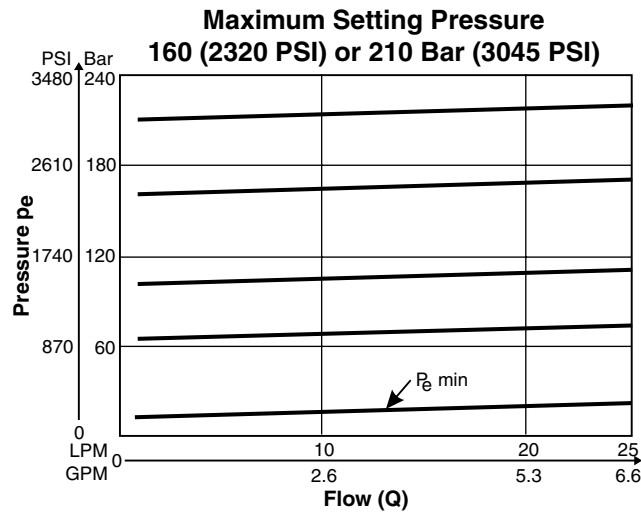
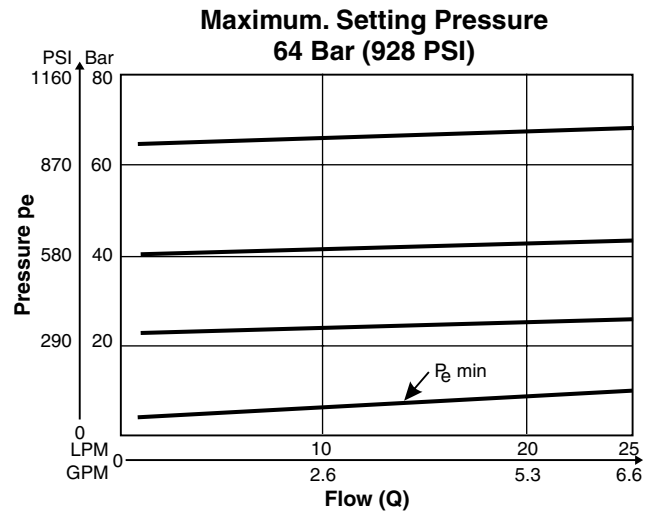
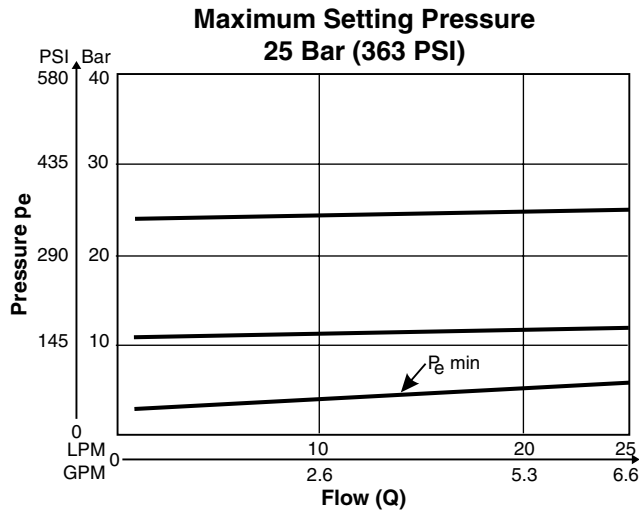
Code	Description
Omit	No Lock
Z	Cylinder Lock

- ¹⁾ only NG6
²⁾ only NG10

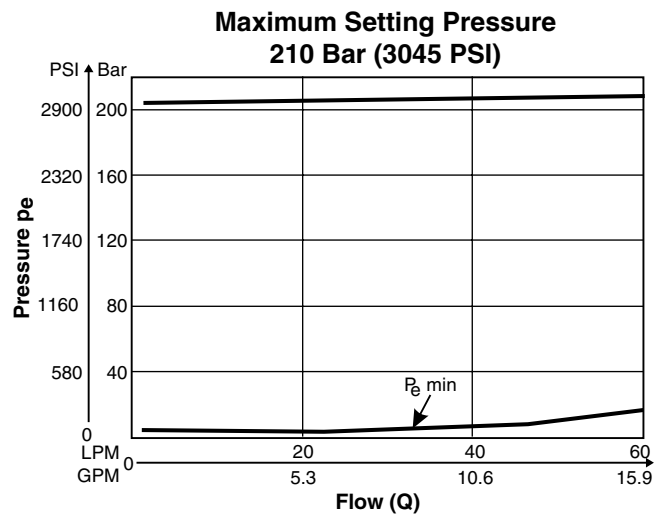
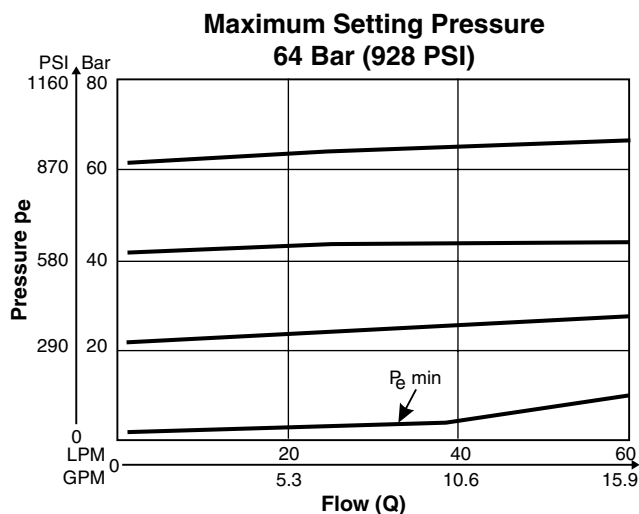
Weight:

VB*A06 1.3 kg (2.9 lbs.)
 VB*A10 3.7 kg (8.2 lbs.)

VB*06



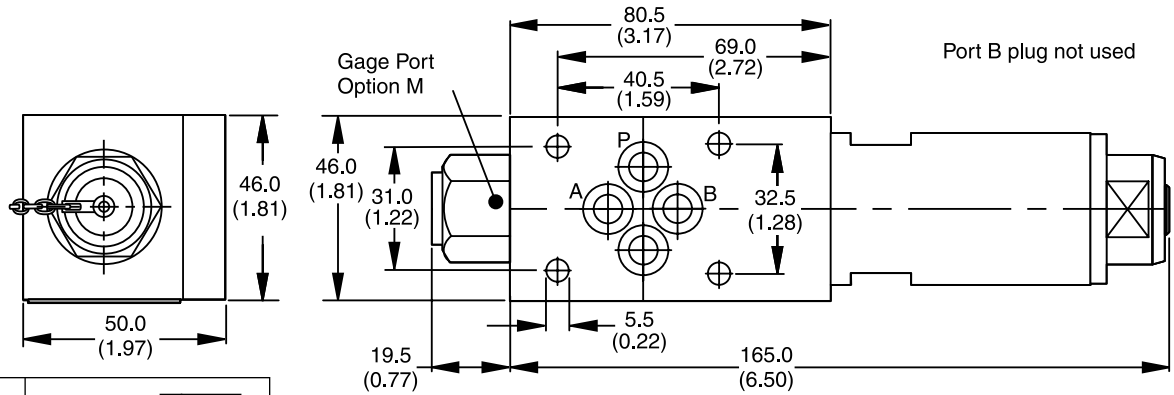
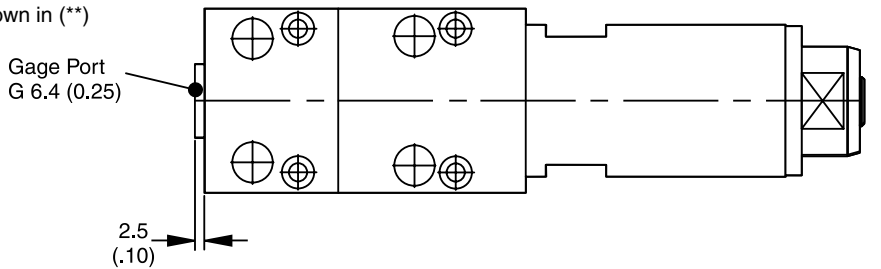
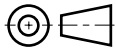
VB*10



VB.indd, dd

VB*06

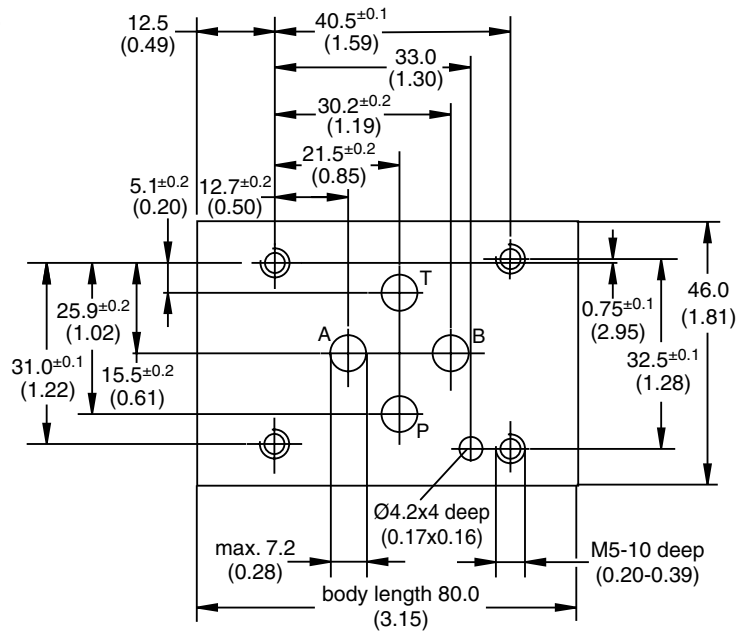
Inch equivalents for millimeter dimensions are shown in (**)



Surface Finish	$\sqrt{R_{max} 6.3}$ $\square 0.01/100$
Bolt Kit DIN912 12.9	BK375 4x M5x30
	7.6 Nm (5.6 lb.-ft.) ±15%
Seal Kit Fluorocarbon	SK-VB/VM/VS V

**Mounting Pattern ISO 5781-03-04-0-00
(NFPA D03, CETOP 3, NG6)**

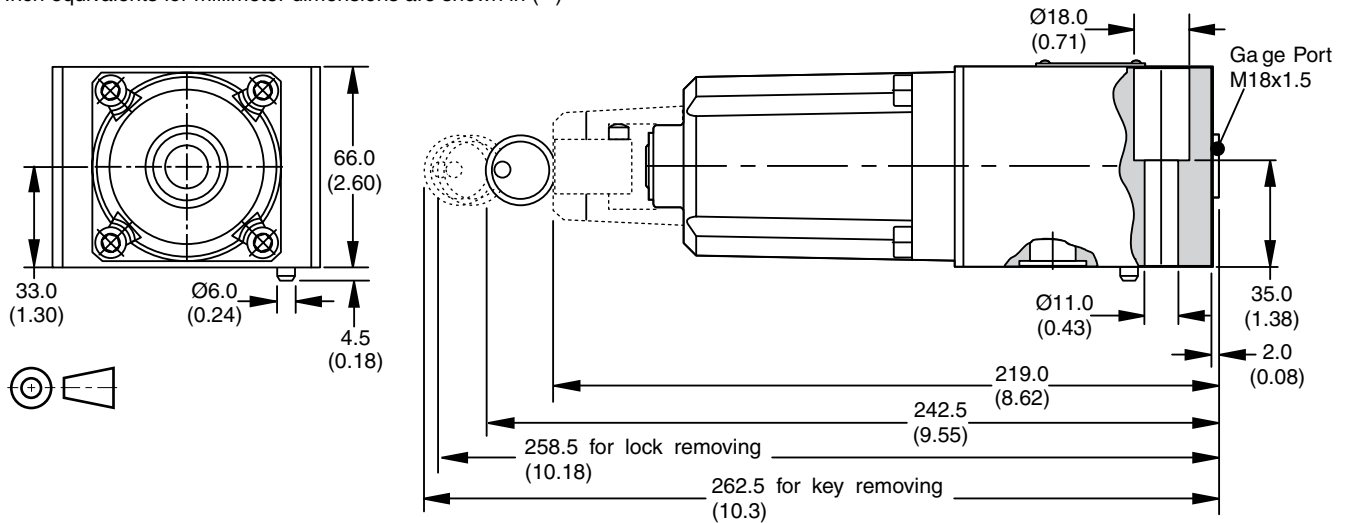
Inch equivalents for millimeter dimensions are shown in (**)



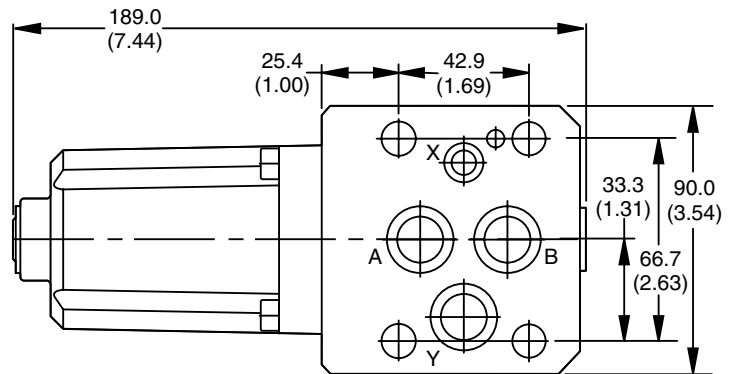
VB.indd, dd

VB*10

Inch equivalents for millimeter dimensions are shown in (**)

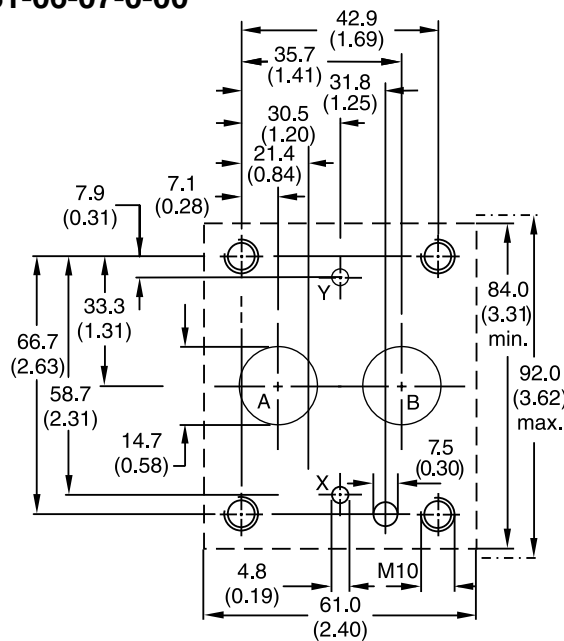


Surface Finish	$\sqrt{R_{max}6.3}$
Bolt Kit DIN912 12.9	BK389 4x M10x50
	65 Nm (48 lb.-ft.) ±15%
Seal Kit Fluorocarbon	SK-VB/VM-A10V
Subplate	Size
SPP3M6B910	A, B = 3/4" BSPP x, y = 1/4" BSPP



Mounting Pattern ISO 5781-06-07-0-00

Inch equivalents for millimeter dimensions are shown in (**)



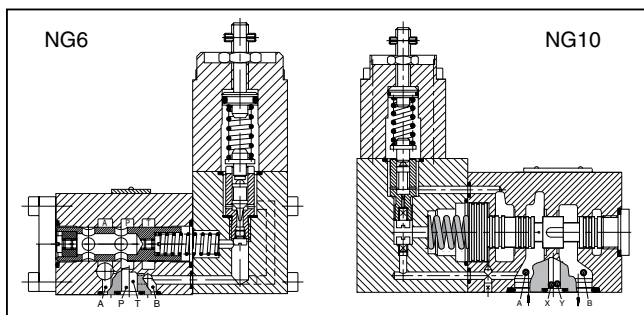
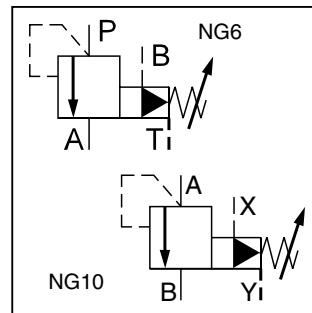
General Description

Series VBY pilot operated sequence valves consist of a pilot with manual adjustment and a main part with spool execution. The valve has an external drain.

This valve can also be used as a pressure relief valve. Please observe hydraulic connection.

Features

- Manifold mounting acc. to ISO 5781.
- Type VBY with external drain.
- Main stage spool type valve.
- Pilot stage seated type valve.
- 4 pressure ranges.
- 2 adjustment modes
 - Screw with hexagon socket
 - DIN knob



Specifications

Size	NG6	NG10
Mounting Pattern	ISO 5781	
Mounting Position	As desired	
Ambient Temperature	-20°C to +80°C (-4°F to +176°F)	
Operating Pressure, Ports External Drain Port Pressure	P, A, B up to 315 Bar (4568 PSI) T up to 100 Bar (1450 PSI)	A, B, X up to 315 Bar (4568 PSI) Y up to 100 Bar (1450 PSI)
Pressure Range	64, 160, 210, 315 Bar (928, 2320, 3045, 4568 PSI)	
Pressure Fluid Temperature	-20°C to +70°C (-4°F to +158°F)	
Viscosity Range Recommended Permitted	30 to 50 cSt / mm ² /s (139 to 232 SSU) 20 to 380 cSt / mm ² /s (93 to 1761 SSU)	
Filtration	ISO 4406 (1999), 18/16/13	
Pilot Oil Flow	approx. 500 cm ³ /min	approx. 1000 cm ³ /min

Ordering Information

VBY

Pressure Relief Valve

□

Pressure Range

□

Adjustment

□

Size

□

Seal

□

Design Series

NOTE:
Not required when ordering.

Code	Description
064	64 Bar (928 PSI)
160	160 Bar (2320 PSI)
210	210 Bar (3045 PSI)
315	315 Bar (4568 PSI)

Code	Description
A	Adjustment Screw with Hexagon Socket
H	Turning Knob with Cylinder Lock

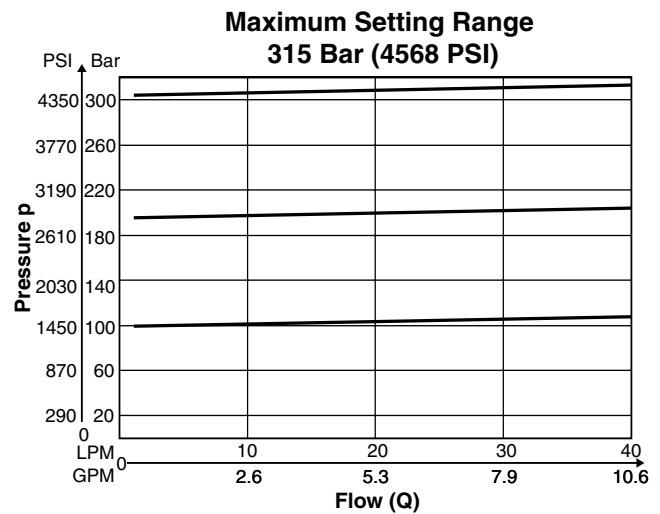
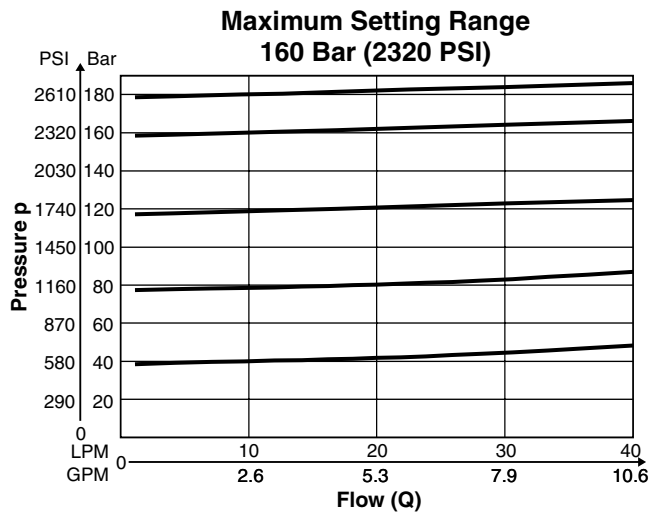
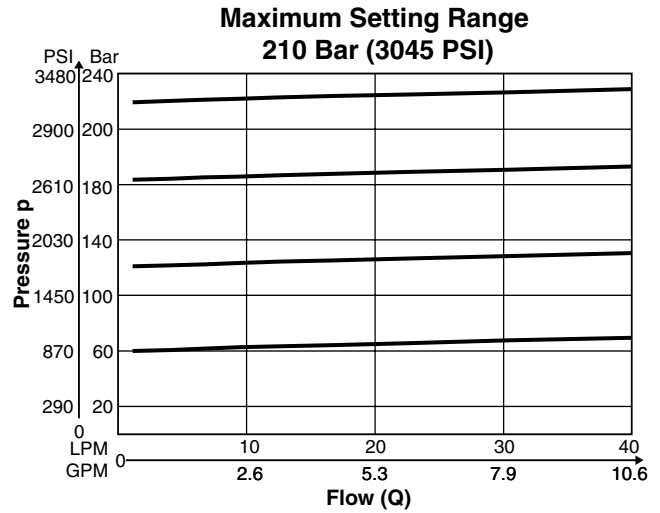
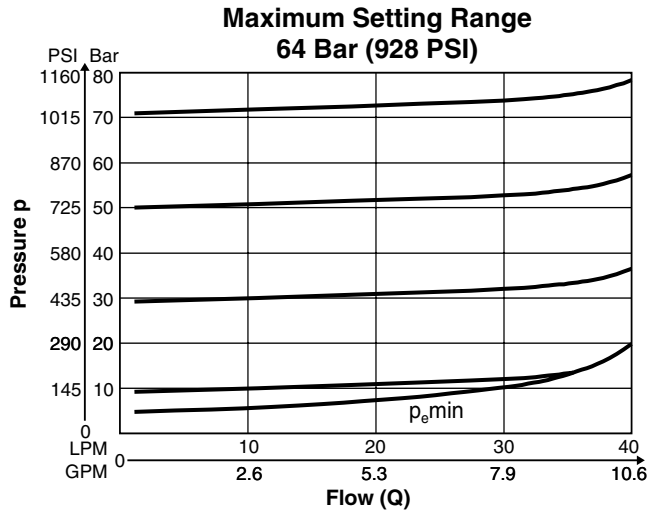
Code	Description
06	NG6
10	NG10

Code	Description
N	Nitrile
V	Fluorocarbon

Weight:
 VBY*06 2.4 kg (5.29 lbs.)
 VBY*10 4.5 kg (9.92 lbs.)

VBY*06

p/Q measured at t = 50°C (122°F) and v = 36mm²/s

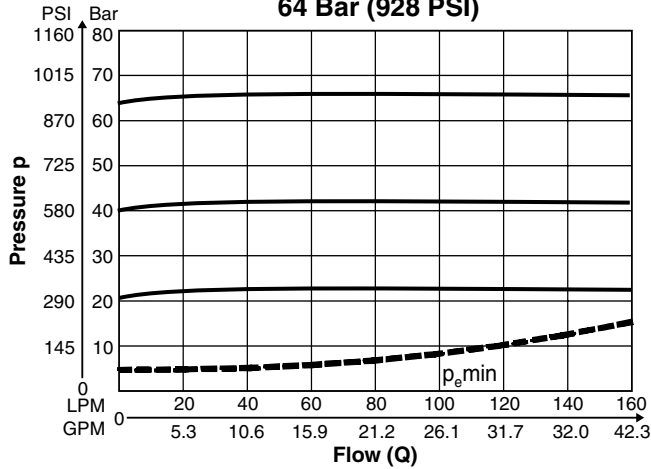


VB Y*10

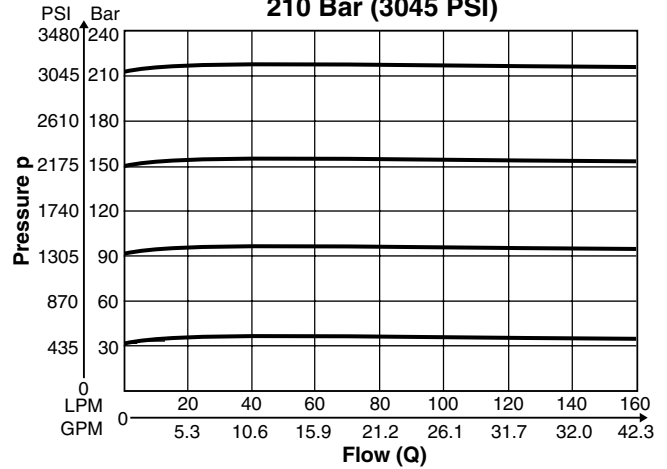
p/Q measured at t = 50°C (122°F) and v = 36mm²/s

D

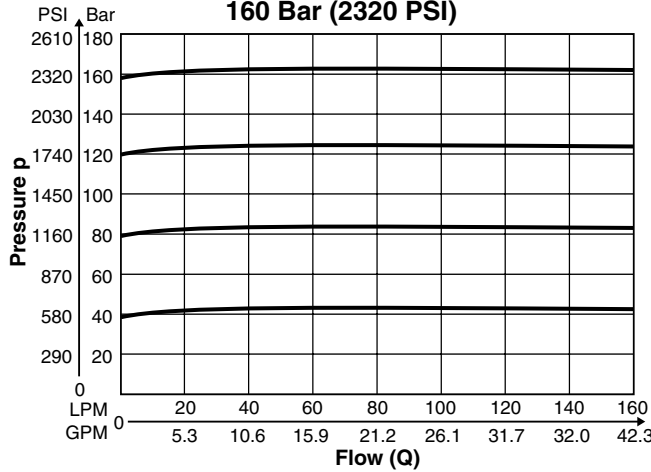
Maximum Setting Range
64 Bar (928 PSI)



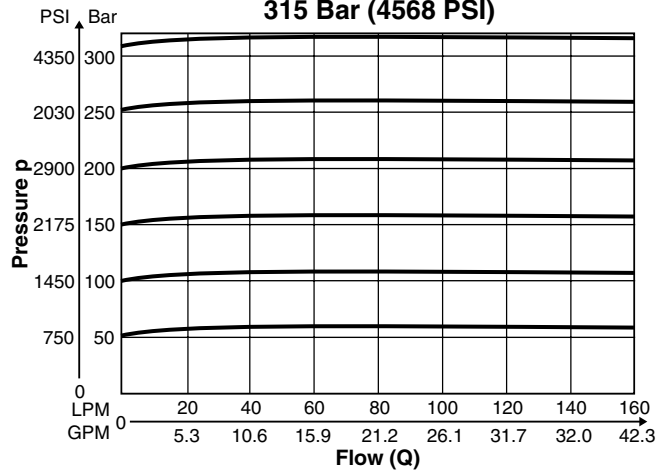
Maximum Setting Range
210 Bar (3045 PSI)



Maximum Setting Range
160 Bar (2320 PSI)

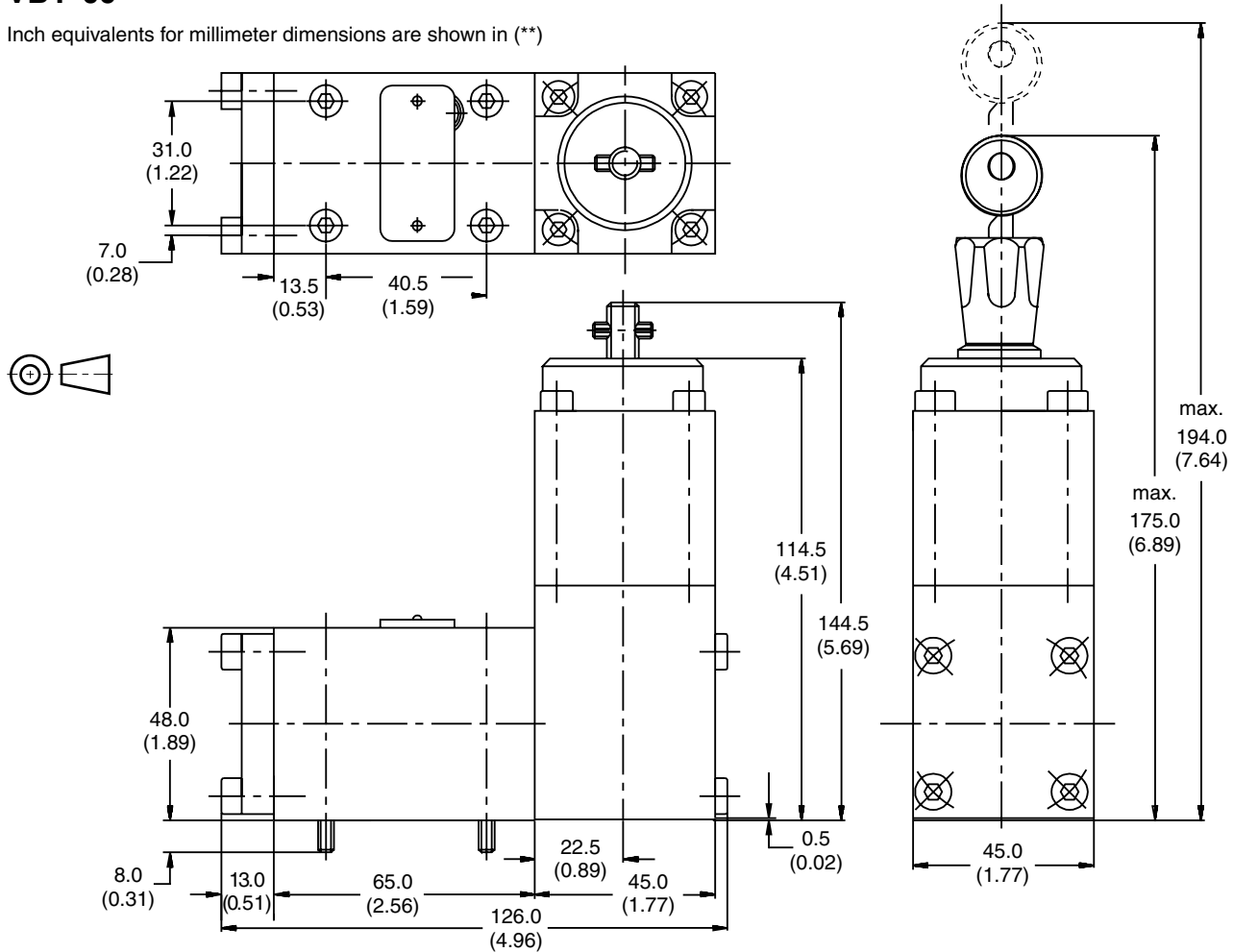


Maximum Setting Range
315 Bar (4568 PSI)



VBY*06

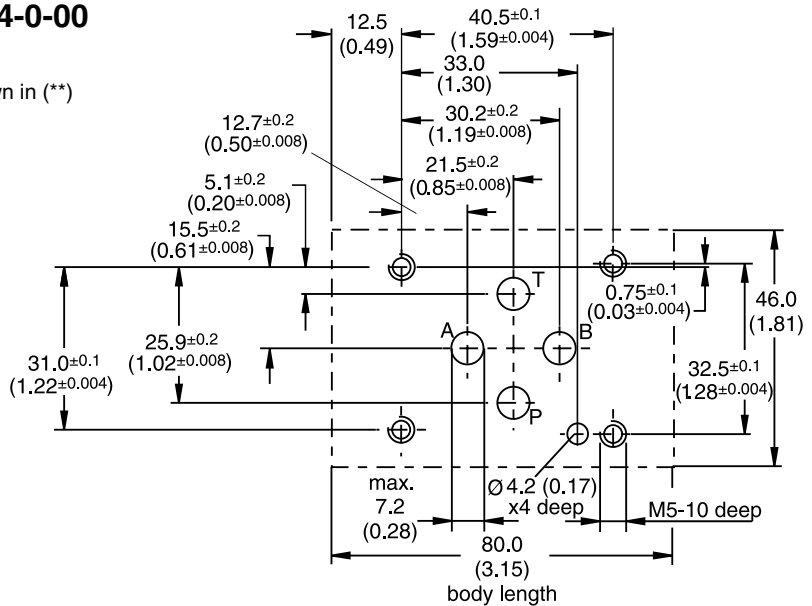
Inch equivalents for millimeter dimensions are shown in (**)



Surface Finish	Bolt Kit DIN912 12.9		Seal Kit
	BK375 4x M5x30	7.5 Nm (5.5 lb.-ft.)	Nitrile: SK-VB/VM/VS Fluorocarbon: SK-VB/VM/VS V

**Mounting Pattern ISO 5781-03-04-0-00
(NFPA D03, CETOP 3, NG6)**

Inch equivalents for millimeter dimensions are shown in (**)

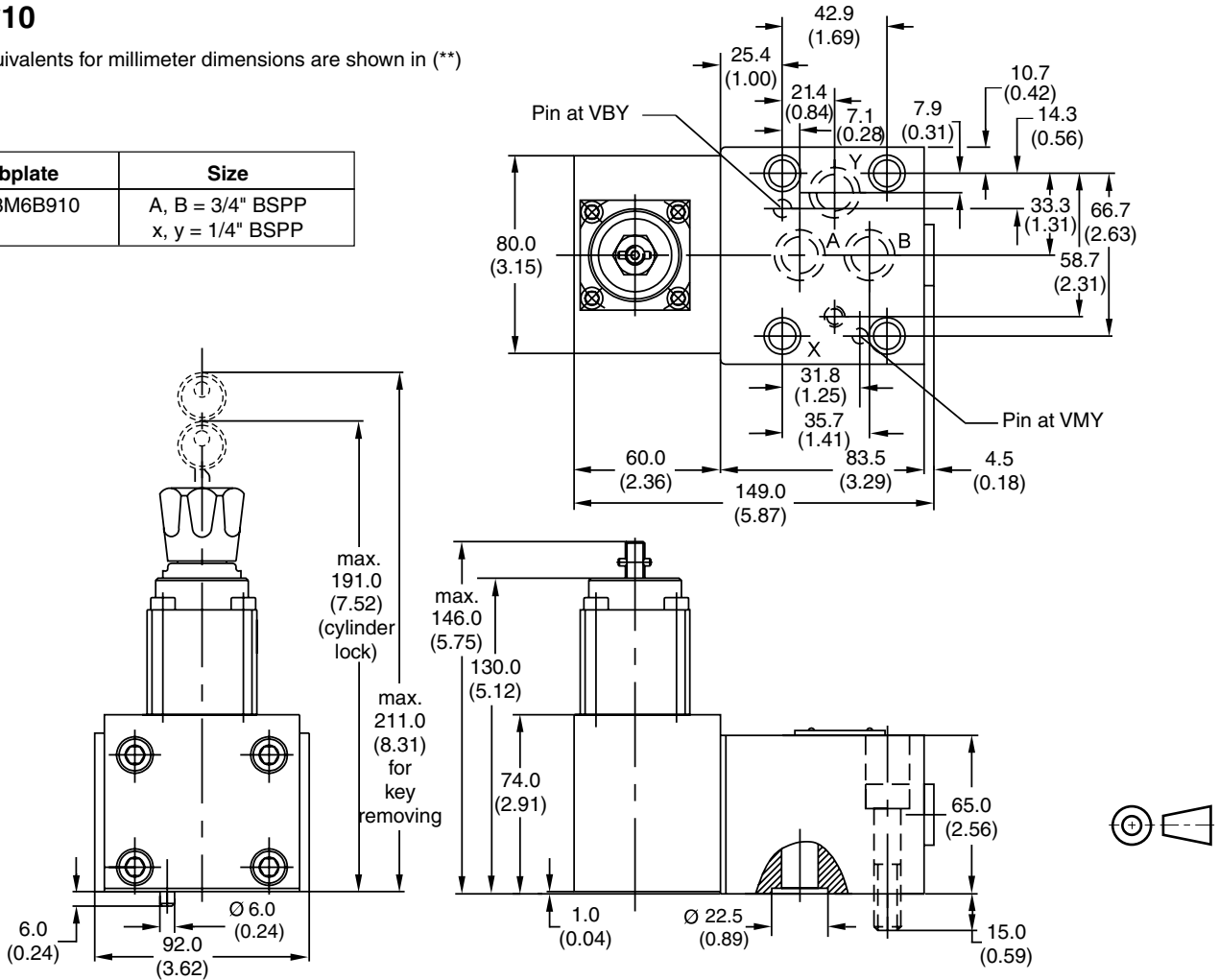





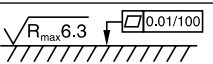
VBY.indd, dd

VBY*10

Inch equivalents for millimeter dimensions are shown in (**)

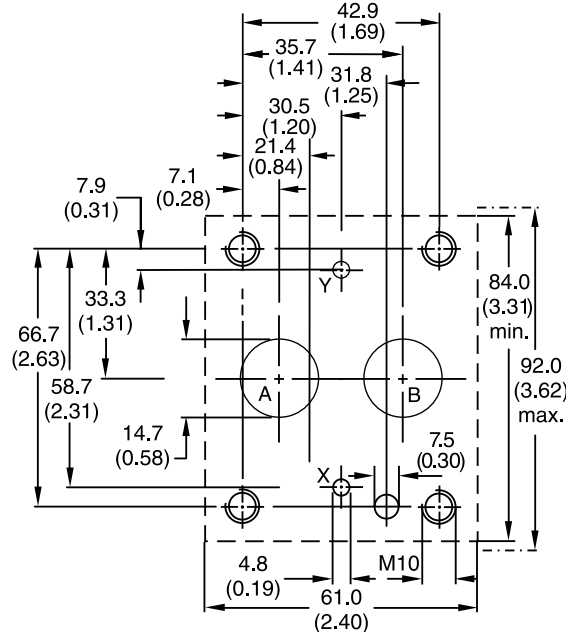
Subplate	Size
SPP3M6B910	A, B = 3/4" BSPP x, y = 1/4" BSPP



Surface Finish	Bolt Kit  DIN912 12.9		Seal  Kit
	BK389 4x M10x50	65 Nm (47.9 lb.-ft.)	Nitrile: SK-VB/VM-A10 Fluorocarbon: SK-VB/VM-A10V

Mounting Pattern ISO 5781-06-07-0-00

Inch equivalents for millimeter dimensions are shown in (**)



General Description

Series R5V pilot operated pressure relief valves have a similar design to the subplate mounted R4V series. The SAE flanges allow to mount the valves directly on the outlet flanges of pumps or inlet flanges of actuators to achieve a very compact design.

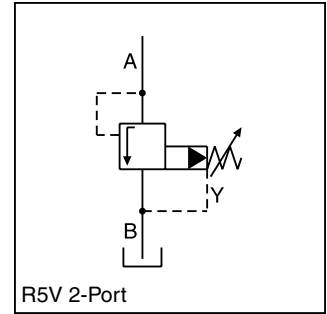
Valves with SAE flanges can also be bolted together to combine functions without the need of a manifold block.

Operation

The system pressure in Port A is applied to the pilot valve and to the top surface of the main poppet via an orifice in X. The hydraulically balanced main poppet is held against the seat by the main spring. In this state there is no flow through the valve. The adjusted spring force acting on the pilot cone determines the relief pressure. If the pressure in Port A exceeds the set point, the pilot cone is lifted from its seat, releasing a small pilot flow to tank. The flow through the control orifice in X creates a pressure drop which limits the pressure at the top of the main poppet to the set point. The higher system pressure in Port A now lifts the main poppet off its seat and allows flow to Port B. In the resulting float position only enough flow is passed from Port A to Port B to maintain the inlet pressure in Port A at the set point. When the pressure in Port A falls below the set point, the hydraulic balance on the main poppet is restored. The main spring then forces the main poppet to close.



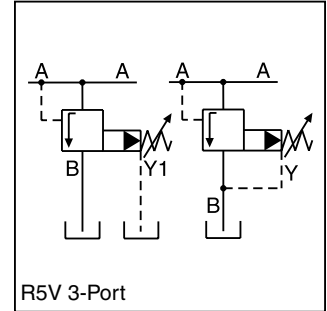
R5V 2-Port



R5V 2-Port



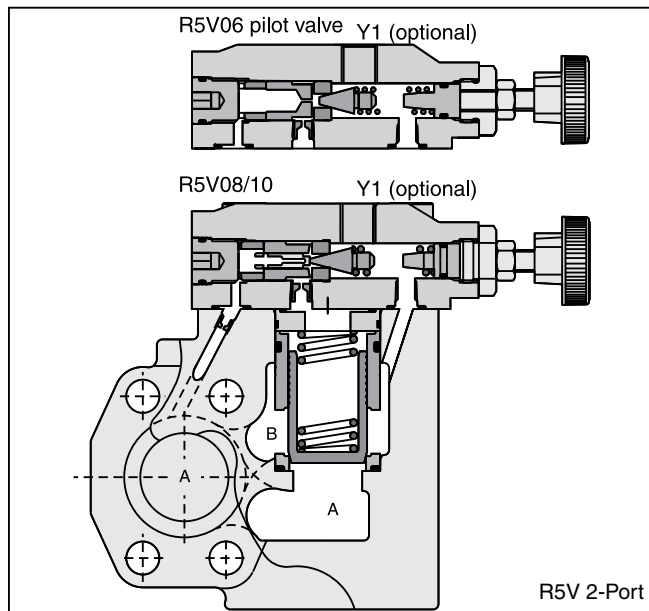
R5V 3-Port



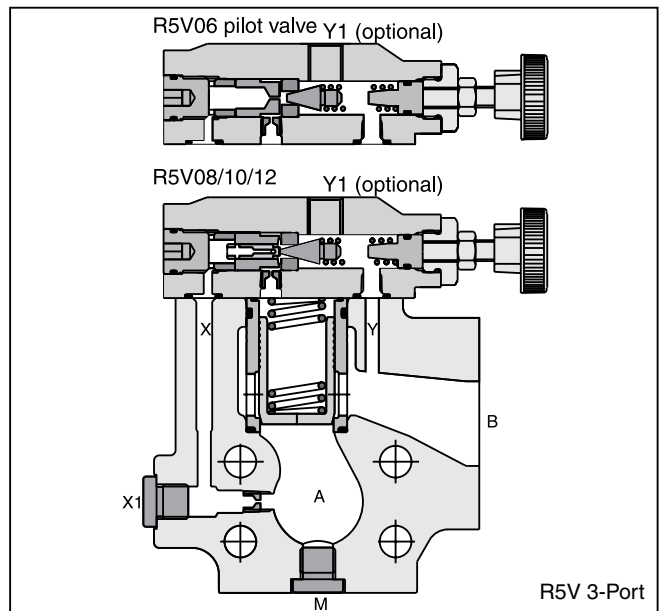
R5V 3-Port

Features

- Pilot operated with manual adjustment.
- R5V with 2-port body:
 - 3 sizes (SAE 3/4", 1", 1-1/4")
 - SAE 61 flange
- R5V with 3-port body:
 - 4 sizes (SAE 3/4", 1", 1-1/4", 1-1/2")
 - SAE 61 and SAE 62 flange
- 3 pressure stages.
- 3 adjustment modes:
 - Hand knob
 - Acorn nut with lead seal
 - Key lock
- With optional vent function.

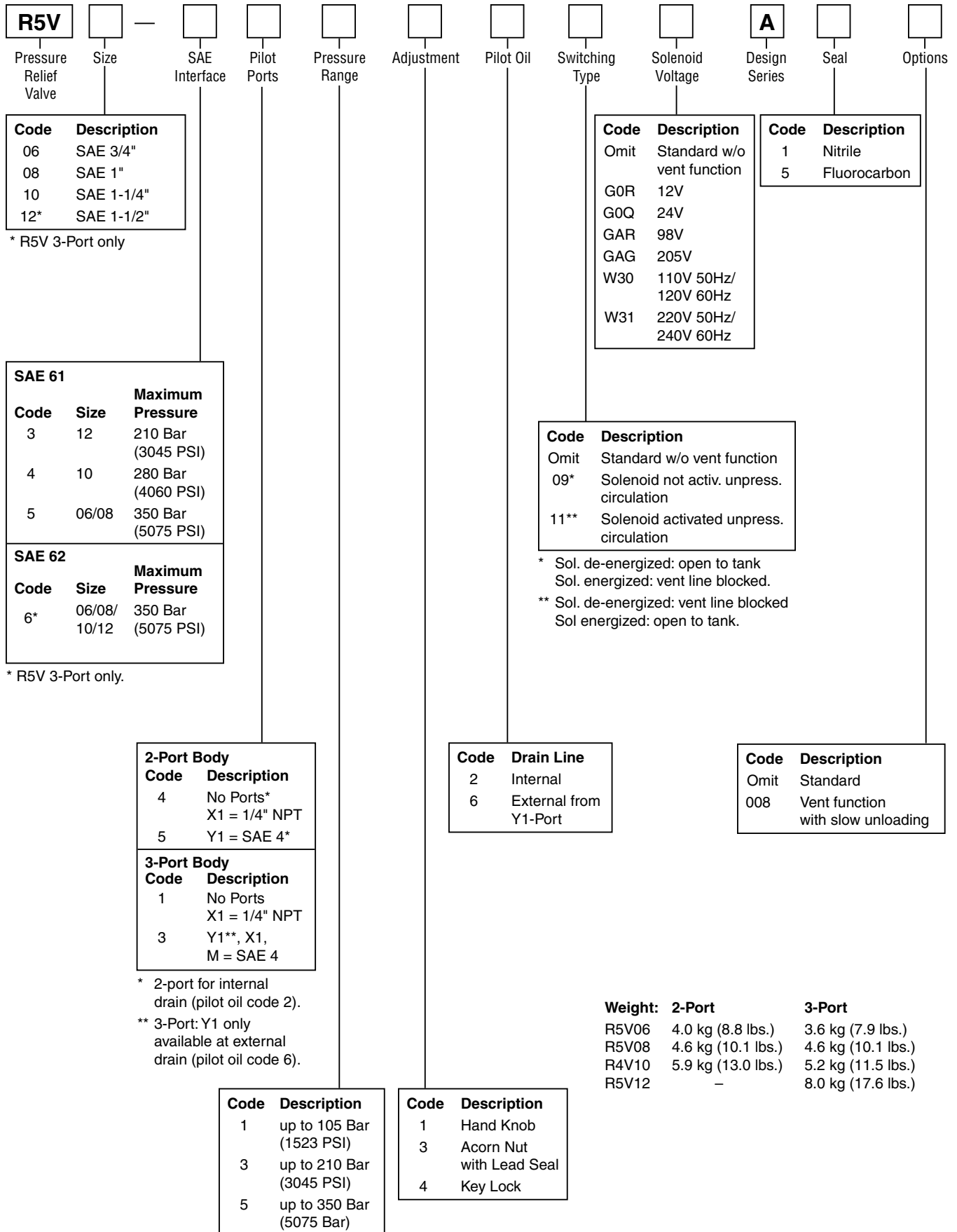


R5V 2-Port



R5V 3-Port

R5V.indd, dd

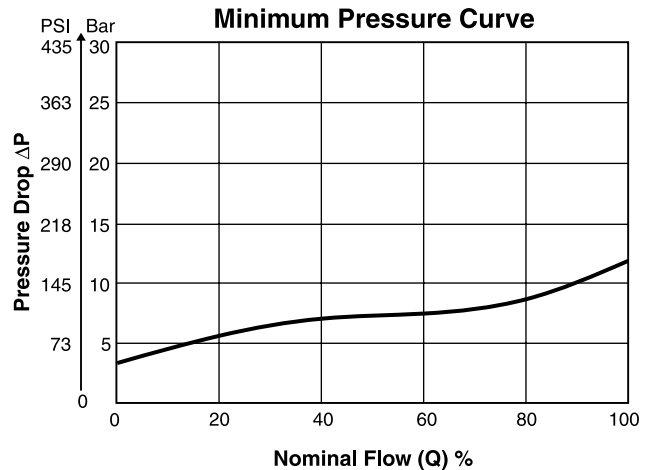
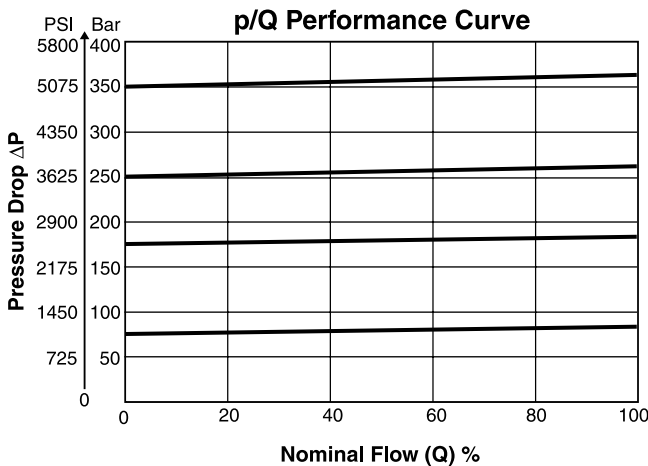


Specifications

General							
Size		06	08	10	12		
Mounting	Flanged according to SAE 61 / SAE 62						
Mounting Position	Unrestricted						
Ambient Temperature Range	-20°C to +50°C (-4°F to +122°F)						
Hydraulic							
Maximum Operating Pressure	SAE 61 Ports A, B	350 Bar (5075 PSI)	350 Bar (5075 PSI)	280 Bar (4060 PSI)	210 Bar (3045 PSI)		
	SAE 61 Port Y1	30 Bar (435 PSI)	30 Bar (435 PSI)	30 Bar (435 PSI)	30 Bar (435 PSI)		
	SAE 62 Ports A, B	350 Bar (5075 PSI)	350 Bar (5075 PSI)	350 Bar (5075 PSI)	350 Bar (5075 PSI)		
	SAE 62 Port Y1	30 Bar (435 PSI)	30 Bar (435 PSI)	30 Bar (435 PSI)	30 Bar (435 PSI)		
Pressure Ranges	105 Bar (1523 PSI), 210 Bar (3045 PSI), 350 Bar (5075 PSI)						
Nominal Flow		90 LPM (23.8 GPM)	300 LPM (79.4 GPM)	600 LPM (158.7 GPM)	600 LPM (158.7 GPM)		
Fluid	Hydraulic oil as per DIN 51524 to 51525						
Fluid Temperature	-20°C to +80°C (-4°F to +176°F)						
Viscosity	Permitted	10 to 650 cSt / mm ² /s (46 to 3013 SSU)					
	Recommended	30 cSt / mm ² /s (139 SSU)					
Filtration	ISO Class 4406 (1999) 18/16/13 (acc. NAS 1638: 7)						
Electrical (Solenoid)							
Duty Ratio	100%						
Solenoid Connection	Connector as per EN175301-803						
Protection Class	IP65 in accordance with EN60529 (plugged and mounted)						
	Code	G0R	G0Q	GAR	GAG	W30	W31
Supply Voltage		12V	24V	98V	205V	110V at 50Hz/ 120V at 60Hz	220V at 50Hz/ 240V at 60Hz
Tolerance Supply Voltage		+5 to -10	+5 to -10	+5 to -10	+5 to -10	±5	±5
Power Consumption	Hold	31W	31W	31W	31W	78W	78W
	In Rush	31W	31W	31W	31W	264W	264W
Response Time	Energized / De-energized AC 20/18ms, DC 46/27 ms						
Maximum Switching Frequency	AC up to 7200 switchings/hour; DC up to 16,000 switchings/hour						
Coil Insulation Class	H (180°C) (356°F)						

D

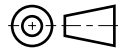
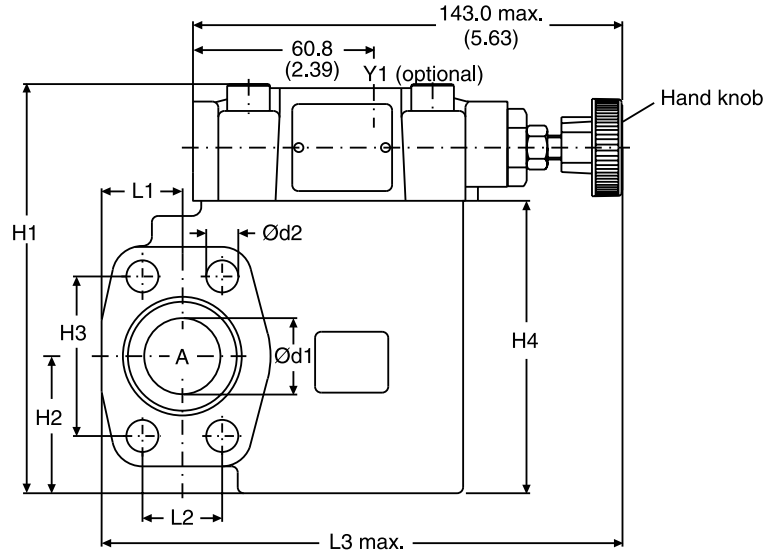
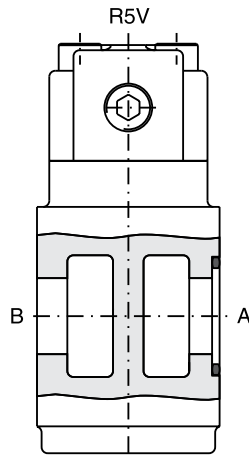
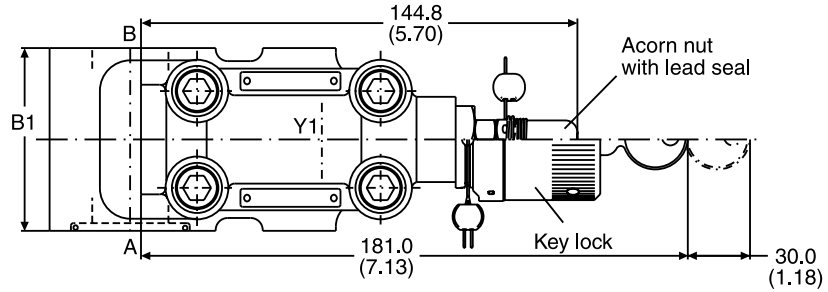
Performance Curves



R5V.indd, dd

Inch equivalents for millimeter dimensions are shown in (**)

2-Port



Seal Kits		
Size	Nitrile	Fluorocarbon
06	S16-91850-0	S16-91850-5
08	S16-91851-0	S16-91851-5
10	S16-91852-0	S16-91852-5

SAE 61

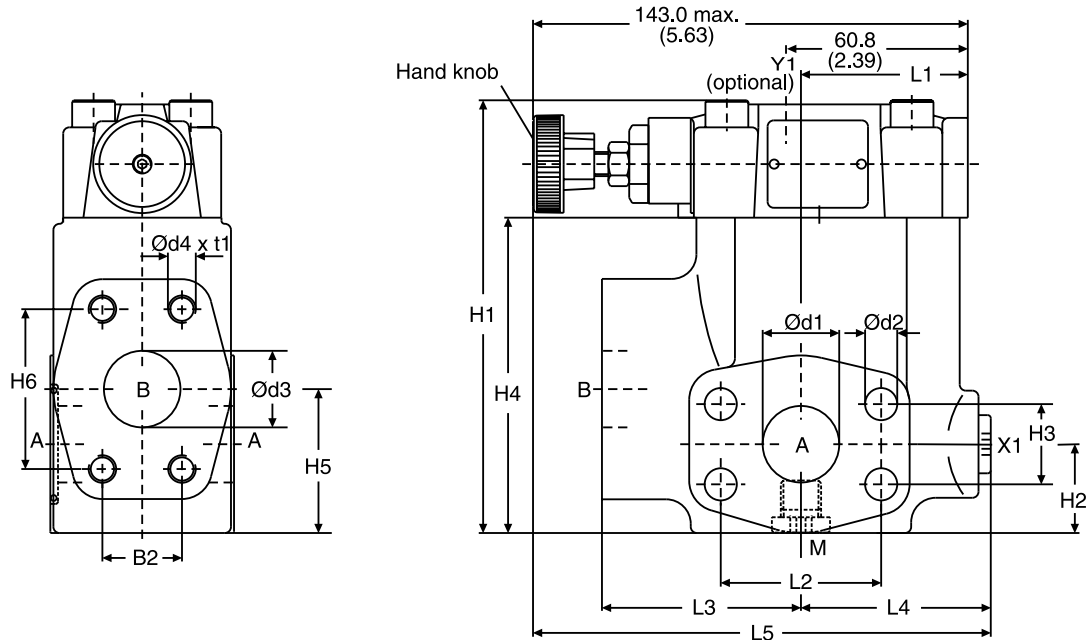
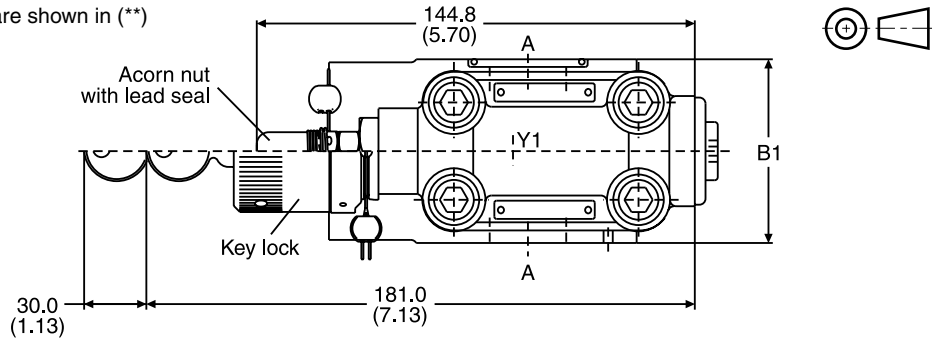
Size	B1	H1	H2	H3	H4	L1	L2	L3	d1	d2
06	60.0 (2.36)	131.6 (5.18)	37.0 (1.46)	47.6 (1.87)	90.0 (3.54)	24.6 (0.97)	22.2 (0.89)	152.0 (5.98)	19.0 (0.75)	10.5 (0.41)
08	60.0 (2.36)	137.6 (5.42)	45.0 (1.77)	52.4 (2.06)	96.0 (3.78)	26.5 (1.04)	26.2 (1.03)	171.0 (6.73)	25.0 (0.98)	10.5 (0.41)
10	75.0 (2.95)	150.6 (5.93)	48.0 (1.89)	58.7 (2.31)	109.0 (4.29)	34.0 (1.34)	30.2 (1.19)	179.0 (7.05)	32.0 (1.26)	12.5 (0.49)

Port	Function	Port Size		
		R5V06	R5V08	R5V10
A	Pressure	3/4" SAE 61	1" SAE 61	1-1/4" SAE 61
B	Tank	3/4" SAE 61	1" SAE 61	1-1/4" SAE 61
Y1	External Drain	SAE 4		

Inch equivalents for millimeter dimensions are shown in (**)

3-Port

Seal Kits		
Size	Nitrile	Fluorocarbon
06	S16-91850-0	S16-91850-5
08	S16-91851-0	S16-91851-5
10	S16-91852-0	S16-91852-5
12	S26-27421-0	S26-27421-5



SAE 61

Size	B1	B2	H1	H2	H3	H4	H5	H6	L1	L2	L3	L4	L5	d1	d2	d3	t1
06	60.0 (2.36)	22.2 (0.87)	119.0 (4.69)	28.0 (1.10)	22.2 (0.87)	81.0 (3.19)	41.6 (1.64)	47.6 (1.87)	50.3 (1.98)	47.6 (1.87)	63.0 (2.48)	56.0 (2.20)	152.0 (5.98)	19.0 (0.75)	10.5 (0.41)	19.0 (0.75)	20.0 (0.79)
08	60.0 (2.36)	26.2 (1.03)	141.0 (5.55)	29.0 (1.14)	26.2 (1.03)	103.0 (4.06)	47.0 (1.85)	52.4 (2.06)	55.8 (2.20)	52.4 (2.06)	65.0 (2.56)	58.0 (2.28)	149.0 (5.87)	25.0 (0.98)	10.5 (0.41)	25.0 (0.98)	23.0 (0.91)
10	75.0 (2.95)	30.2 (1.19)	151.0 (5.94)	34.5 (1.36)	30.2 (1.19)	113.0 (4.45)	64.0 (2.52)	58.7 (2.31)	57.8 (2.28)	58.7 (2.31)	61.0 (2.40)	62.0 (2.44)	150.5 (5.93)	32.0 (1.26)	12.5 (0.49)	32.0 (1.26)	22.0 (0.87)
12	80.0 (3.15)	35.7 (1.41)	178.0 (7.01)	34.0 (1.34)	35.7 (1.41)	140.0 (5.51)	73.0 (2.87)	69.8 (2.75)	37.3 (1.47)	69.8 (2.75)	92.5 (3.64)	55.2 (2.17)	171.2 (6.74)	38.0 (1.50)	13.5 (0.53)	38.0 (1.50)	27.0 (1.06)

SAE 62

Size	B1	B2	H1	H2	H3	H4	H5	H6	L1	L2	L3	L4	L5	d1	d2	d3	t1
06	60.0 (2.36)	23.8 (0.94)	119.0 (4.69)	28.0 (1.10)	23.8 (0.94)	81.0 (3.19)	41.6 (1.64)	50.8 (2.00)	50.3 (1.98)	50.8 (2.00)	63.0 (2.48)	56.0 (2.20)	152.0 (5.98)	19.0 (0.75)	10.5 (0.41)	19.0 (0.75)	20.0 (0.79)
08	60.0 (2.36)	27.8 (1.09)	141.0 (5.55)	29.0 (1.14)	27.8 (1.09)	103.0 (4.06)	47.0 (1.85)	57.2 (2.25)	55.8 (2.20)	57.2 (2.25)	65.0 (2.56)	58.0 (2.28)	149.0 (5.87)	25.0 (0.98)	12.5 (0.49)	25.0 (0.98)	22.0 (0.87)
10	75.0 (2.95)	31.8 (1.25)	151.0 (5.94)	34.5 (1.36)	31.8 (1.25)	113.0 (4.45)	64.0 (2.52)	66.7 (2.63)	57.8 (2.28)	66.7 (2.63)	61.0 (2.40)	62.0 (2.44)	150.5 (5.93)	32.0 (1.26)	13.5 (0.53)	32.0 (1.26)	24.0 (0.94)
12	80.0 (3.15)	36.5 (1.44)	178.0 (7.01)	34.0 (1.34)	36.5 (1.44)	140.0 (5.51)	73.0 (2.87)	79.4 (3.13)	37.3 (1.47)	79.4 (3.13)	92.5 (3.64)	55.2 (2.17)	171.2 (6.74)	38.0 (1.50)	17.0 (0.67)	38.0 (1.50)	33.0 (1.30)

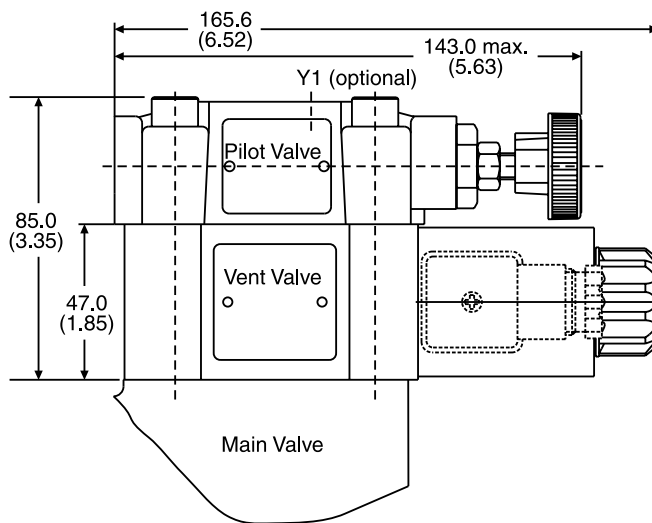
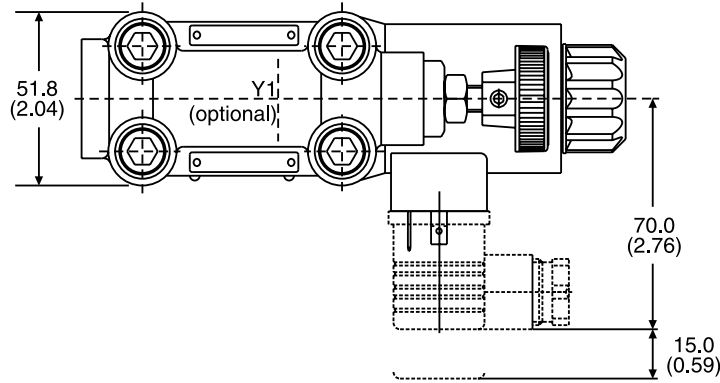
Port	Function	Port size			
		R5V06	R5V08	R5V10	R5V12
A (2)	Pressure	3/4" SAE 61/62	1" SAE 61/62	1-1/4" SAE 61/62	1-1/2" SAE 61/62
B	Tank	3/4" SAE 61/62	1" SAE 61/62	1-1/4" SAE 61/62	1-1/2" SAE 61/62
X1	External pilot port *	SAE 4			
Y1	External drain	SAE 4			
M	Pressure gauge	SAE 4			

R5V.indd, dd

* closed when supplied.

Inch equivalents for millimeter dimensions are shown in (**)

with Vent Function



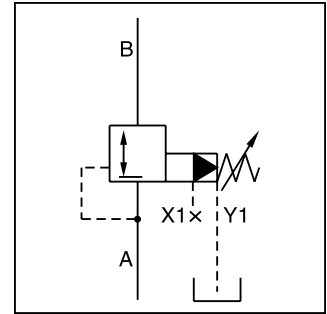
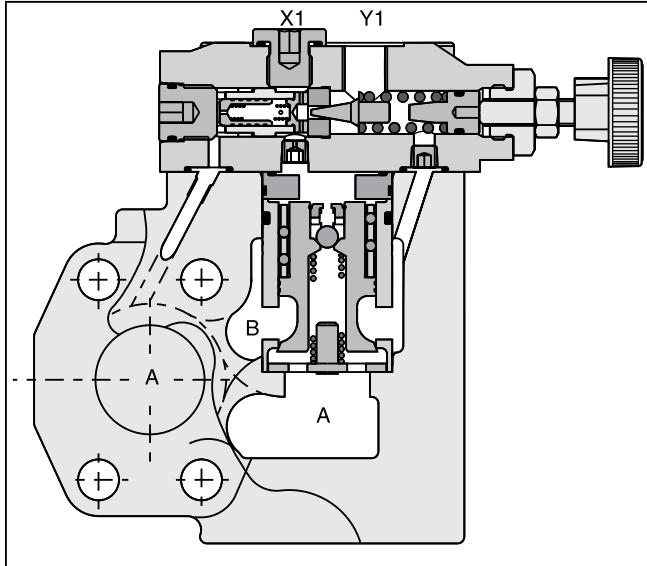
Vent Valve Seal Kits	
Nitrile	Fluorocarbon
DC Solenoid	
S26-58515-0	S26-58515-5
AC Solenoid	
S26-35237-0	S26-35237-5

Code	R5V 2-Port		R5V 3-Port	
	Internal Drain	External Drain	Internal Drain	External Drain
11				
09				

R5V.indd, dd

General Description

Series R5R pilot operated pressure reducing valves have a similar design as the subplate mounted R4R series. The SAE flanges allow to mount the valves directly on the inlet flanges of actuators to achieve a very compact design.



Features

- Pilot operated with manual adjustment.
- Normally closed to avoid unintended motion.
- 2-port body with SAE61 flange.
- 3 sizes (SAE 3/4", 1", 1-1/4").
- 3 pressure stages.
- 3 adjustment modes:
 - Hand knob
 - Acorn nut with lead seal
 - Key lock
- With optional vent function.
- Flow direction B → A.



Ordering Information

R5R	□	—	□	2	□	□	6	□	□	A	□	□
Pressure Reducing Valve	Size		SAE 61 Interface	2-Port Body X1, Y1 = SAE 4	Pressure Range	Adjustment	External Drain from Y1 Port	Switching Type	Solenoid Voltage	Design Series	Seal	Options Check with Factory

Code	Description
06	SAE 3/4"
08	SAE 1"
10	SAE 1-1/4"

Code	Description
1	Hand Knob
3	Acorn Nut with Lead Seal
4	Key Lock

Code	Description
Omit	Standard w/o vent function
G0R	12V
G0Q	24V
GAR	98V
GAG	205V
W30	110V 50Hz/ 120V 60Hz
W31	220V 50Hz/ 240V 60Hz

Code	Description
1	Nitrile
5	Fluorocarbon

Code	Description
4	10 280 Bar (4060 PSI)
5	06/08 350 Bar (5075 PSI)

Code	Description
1	up to 105 Bar (1523 PSI)
3	up to 210 Bar (3045 PSI)
5	up to 350 Bar (5075 Bar)

Code	Description
Omit	Standard w/o vent function
09*	Solenoid not activ. unpress. circulation
11**	Solenoid activated unpress. circulation

Further options on request.

Weight:

- R5R06 4.0 kg (8.8 lbs.)
- R5R08 4.6 kg (10.1 lbs.)
- R5R10 5.9 kg (13.0 lbs.)

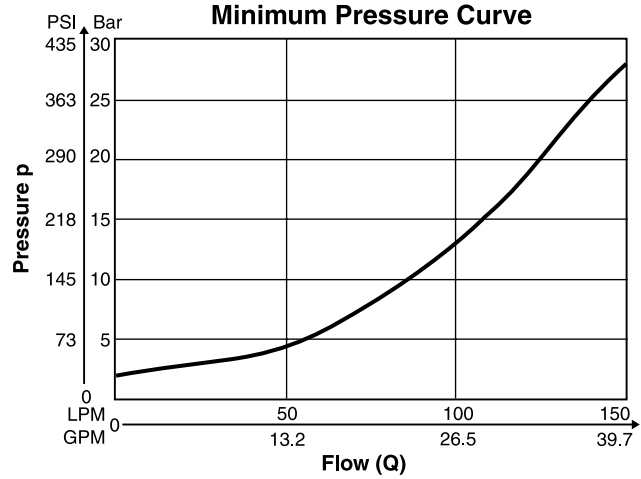
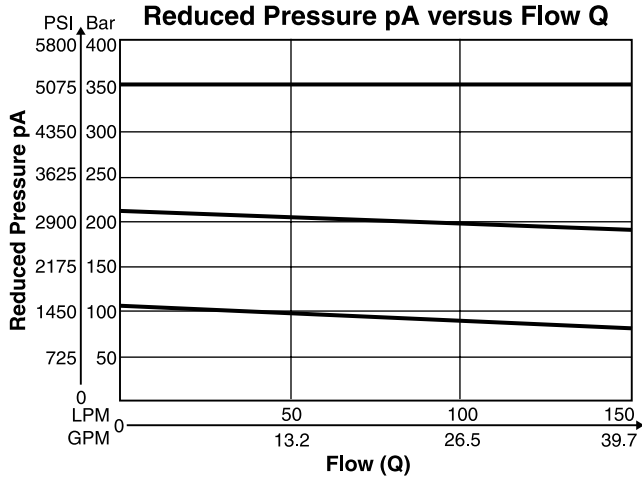
R5R.indd, dd

* Sol. de-energized: open to tank
 Sol. energized: vent line blocked
 ** Sol. de-energized: vent line blocked
 Sol energized: open to tank

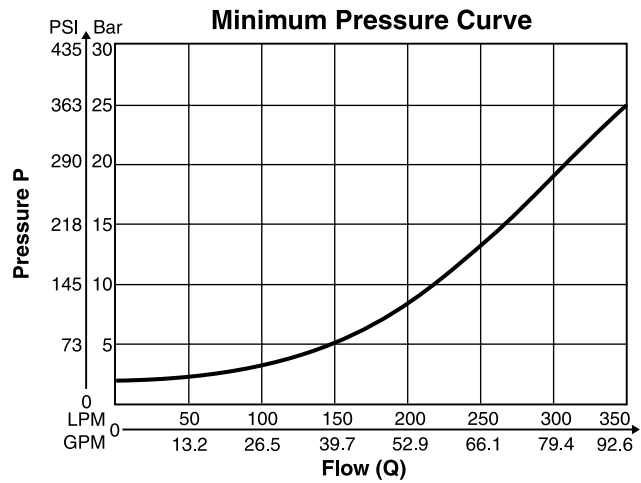
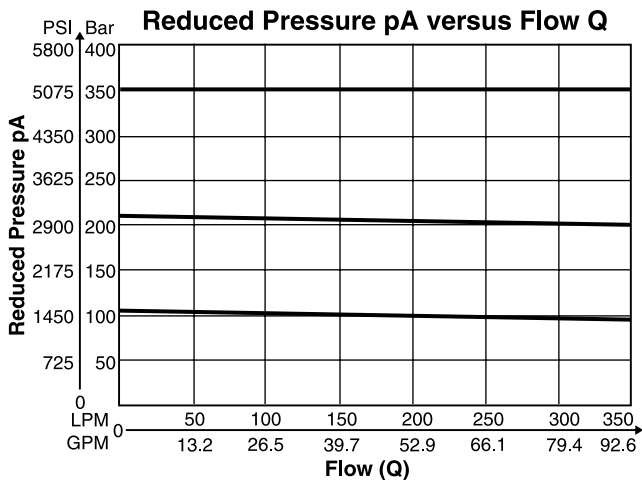
General								
Size			06		08		10	
Mounting	Flanged according to SAE 61							
Mounting Position	Unrestricted							
Ambient Temperature Range	-20°C to +50°C (-4°F to +122°F)							
Hydraulic								
Max. Operating Pressure	Ports A,B, X1	350 Bar (5075 PSI)		350 Bar (5075 PSI)		280 Bar (4060 PSI)		
	Port Y1	30 Bar (435 PSI)		30 Bar (435 PSI)		30 Bar (435 PSI)		
Pressure Ranges	105 Bar (1523 PSI), 210 Bar (3045 PSI), 350 Bar (5075 PSI)							
Nominal Flow	90 LPM (23.8 GPM)		300 LPM (79.4 GPM)		500 LPM (132.3 GPM)			
Fluid	Hydraulic oil as per DIN 51524 ... 51525							
Fluid Temperature	-20°C to +80°C (-4°F to +176°F)							
Viscosity Permitted Recommended	10 to 650 cSt / mm ² /s (46 to 3013 SSU) 30 cSt / mm ² /s (139 SSU)							
Filtration	ISO Class 4406 (1999) 18/16/13 (acc. NAS 1638: 7)							
Electrical (Solenoid)								
Duty Ratio	100%							
Solenoid Connection	Connector as per EN175301-803							
Protection Class	IP65 in accordance with EN60529 (plugged and mounted)							
	Code	G0R	G0Q	GAR	GAG	W30	W31	
Supply Voltage		12V	24V	98V	205V	110V at 50Hz 120V at 60Hz	2200V at 50Hz 240V at 60Hz	
Tolerance Supply Voltage		+5 to -10	+5 to -10	+5 to -10	+5 to -10	±5	±5	
Power Consumption	Hold In Rush	31W	31W	31W	31W	78W	78W	
		31W	31W	31W	31W	264W	264W	
Response Time	Energized / De-energized AC 20/18ms, DC 46/27 ms							
Max. Switching Frequency	AC up to 7200, DC 70 to 16,000 switchings/hour							
Coil Insulation Class	H (180°C) (356°F)							

D

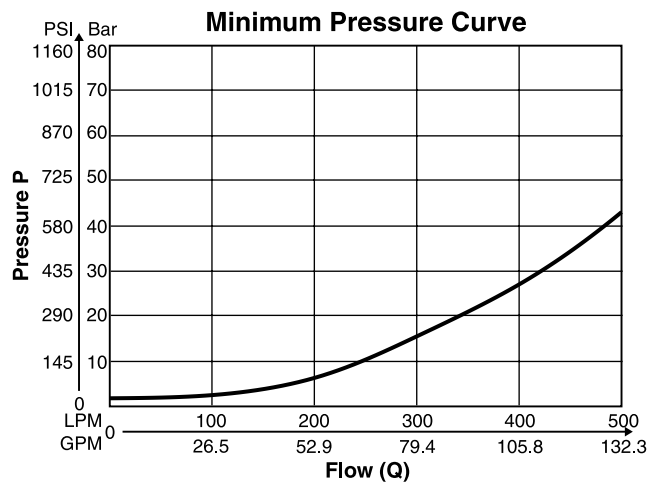
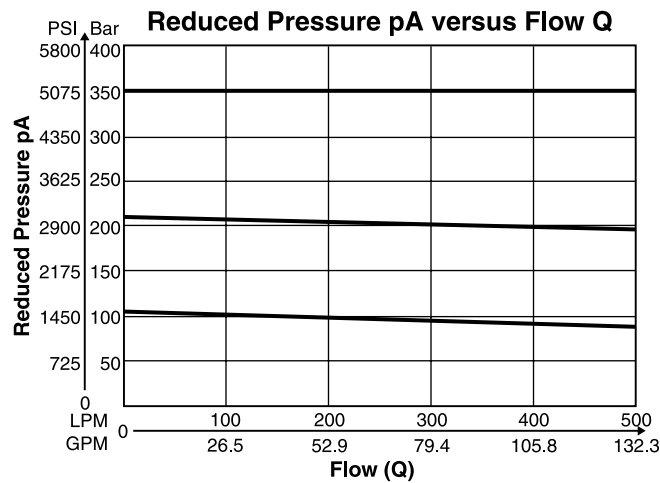
R5R06*



R5R08*



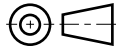
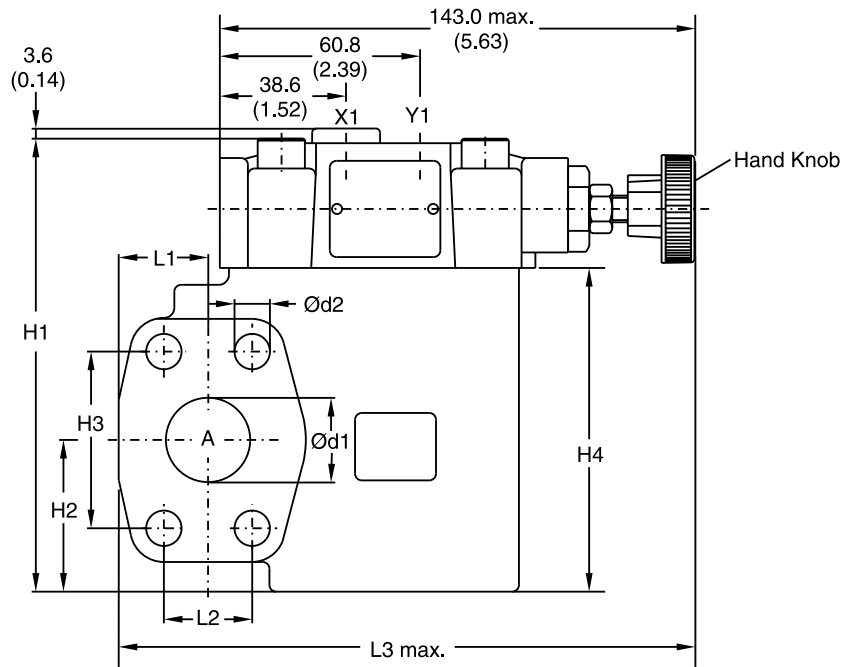
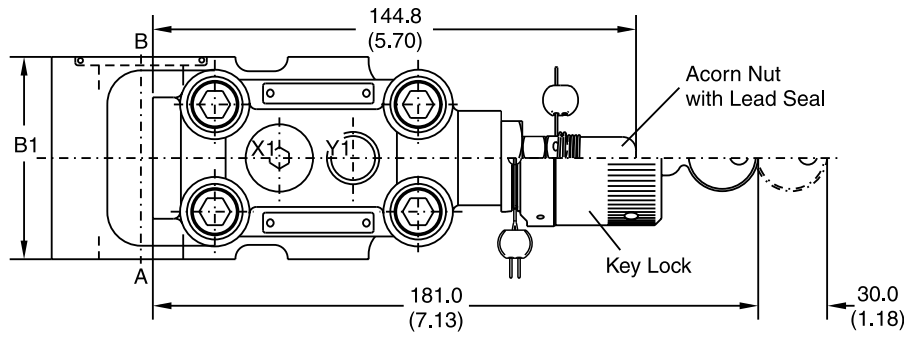
R5R10*



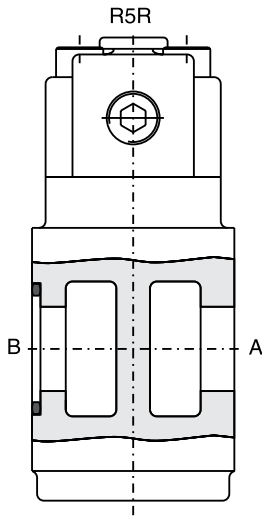
*Measured at 350 Bar (5075 PSI) primary pressure pB.



Inch equivalents for millimeter dimensions are shown in (**)



D



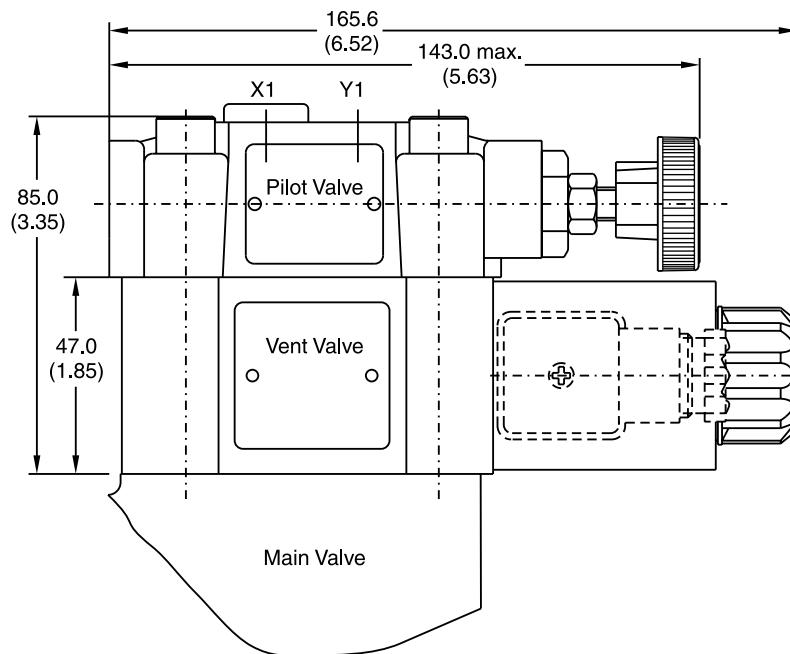
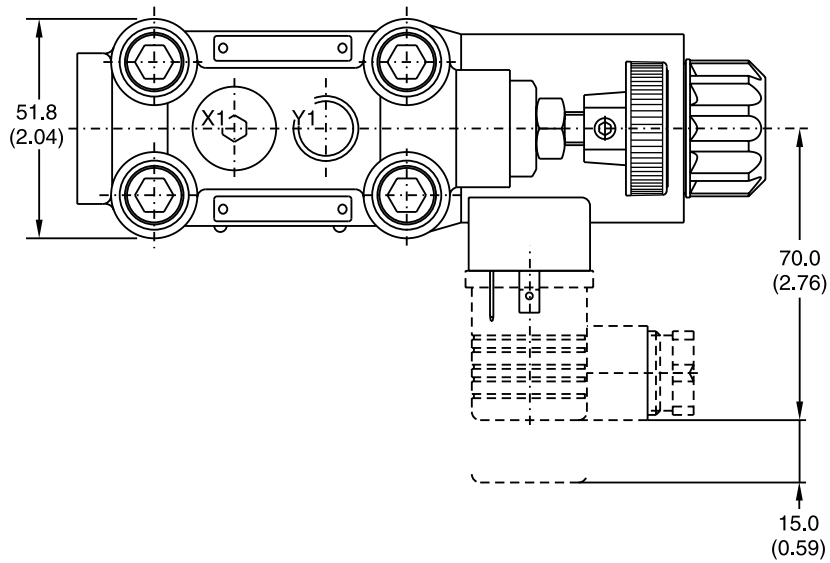
Seal Kits		
Size	Nitrile	Fluorocarbon
06	S16-91850-0	S16-91850-5
08	S16-91851-0	S16-91851-5
10	S16-91852-0	S16-91852-5

Size	B1	H1	H2	H3	H4	L1	L2	L3	d1	d2
06	60.0 (2.36)	131.6 (5.18)	37.0 (1.46)	47.6 (1.87)	90.0 (3.54)	24.6 (0.97)	22.2 (0.87)	152.0 (5.98)	19.0 (0.75)	10.5 (0.41)
08	60.0 (2.36)	137.6 (5.42)	45.0 (1.77)	52.4 (2.06)	96.0 (3.78)	26.5 (1.04)	26.2 (1.03)	171.0 (6.73)	25.0 (0.98)	10.5 (0.41)
10	75.0 (2.95)	150.6 (5.93)	48.0 (1.89)	58.7 (2.31)	109.0 (4.29)	34.0 (1.34)	30.2 (1.19)	179.0 (7.05)	32.0 (1.26)	12.5 (0.49)

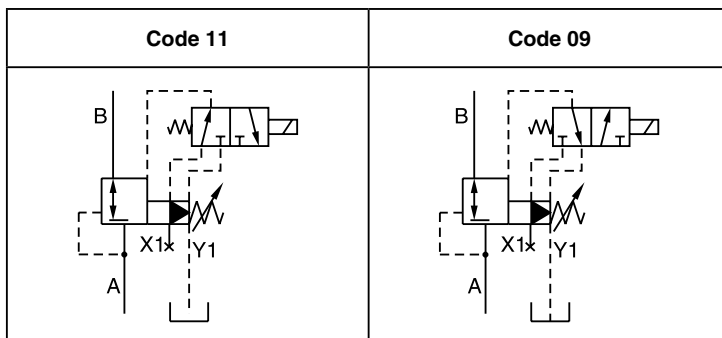
Port	Function	Port Size		
		R5R06	R5R08	R5R10
B	Inlet Pressure	3/4" SAE 61	1" SAE 61	1-1/4" SAE 61
A	Reduced Outlet Pressure	3/4" SAE 61	1" SAE 61	1-1/4" SAE 61
Y1	External Drain	SAE 4		
X1	Pressure Gauge	SAE 4		

R5R.indd, dd

Inch equivalents for millimeter dimensions are shown in (**)



External Drain



Vent Valve Seal Kits	
Nitrile	Fluorocarbon
DC Solenoid	
S26-58515-0	S26-58515-5
AC Solenoid	
S26-35237-0	S26-35237-5

R5R.indd, dd

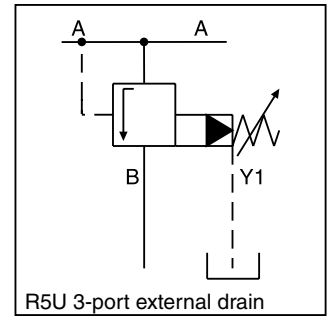
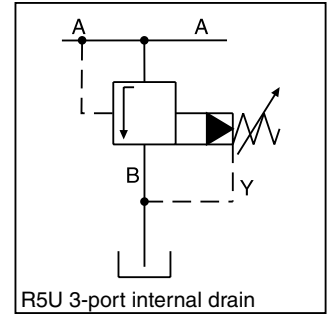
General Description

Series R5U pilot operated, pressure unloading valves have a similar design to the subplate mounted R4U series. The SAE flanges allow to mount the valve directly on the outlet flanges of pumps.

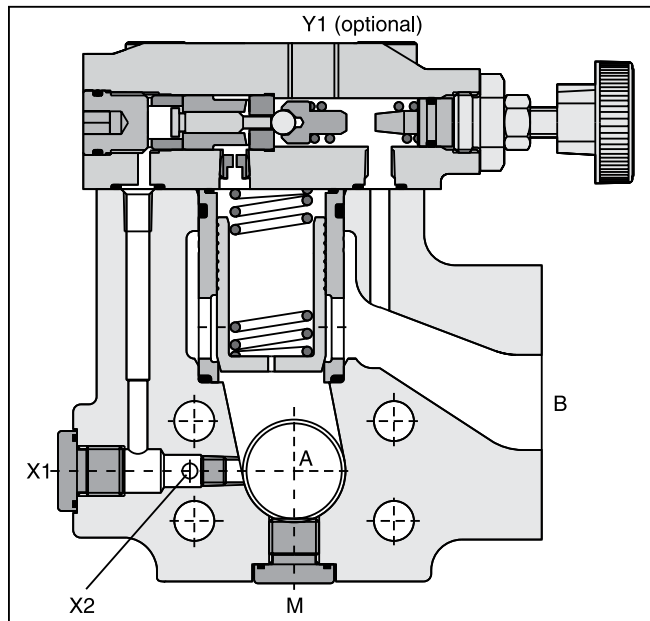
A typical application is the unloading of a pump in an accumulator circuit. The combination of an R5U, C5V and R5V on a double pump generates a high pressure / low pressure pump system without the need of a manifold block or piping between the valves.

Features

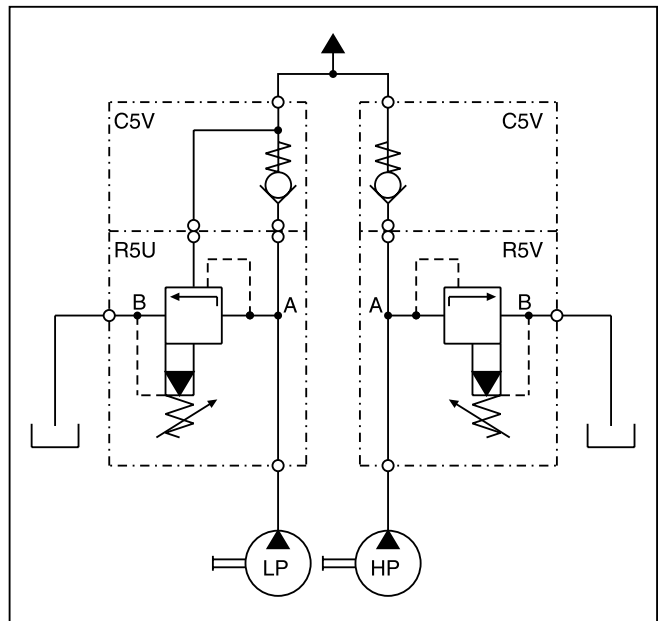
- Pilot operated unloading valve.
- 3-port body with SAE 61 flange.
- 4 sizes (SAE 3/4", 1", 1 1/4", 1 1/2").
- 3 pressure stages.
- 3 adjustment modes:
 - Hand knob
 - Acorn nut with lead seal
 - Key lock
- With optional vent function.



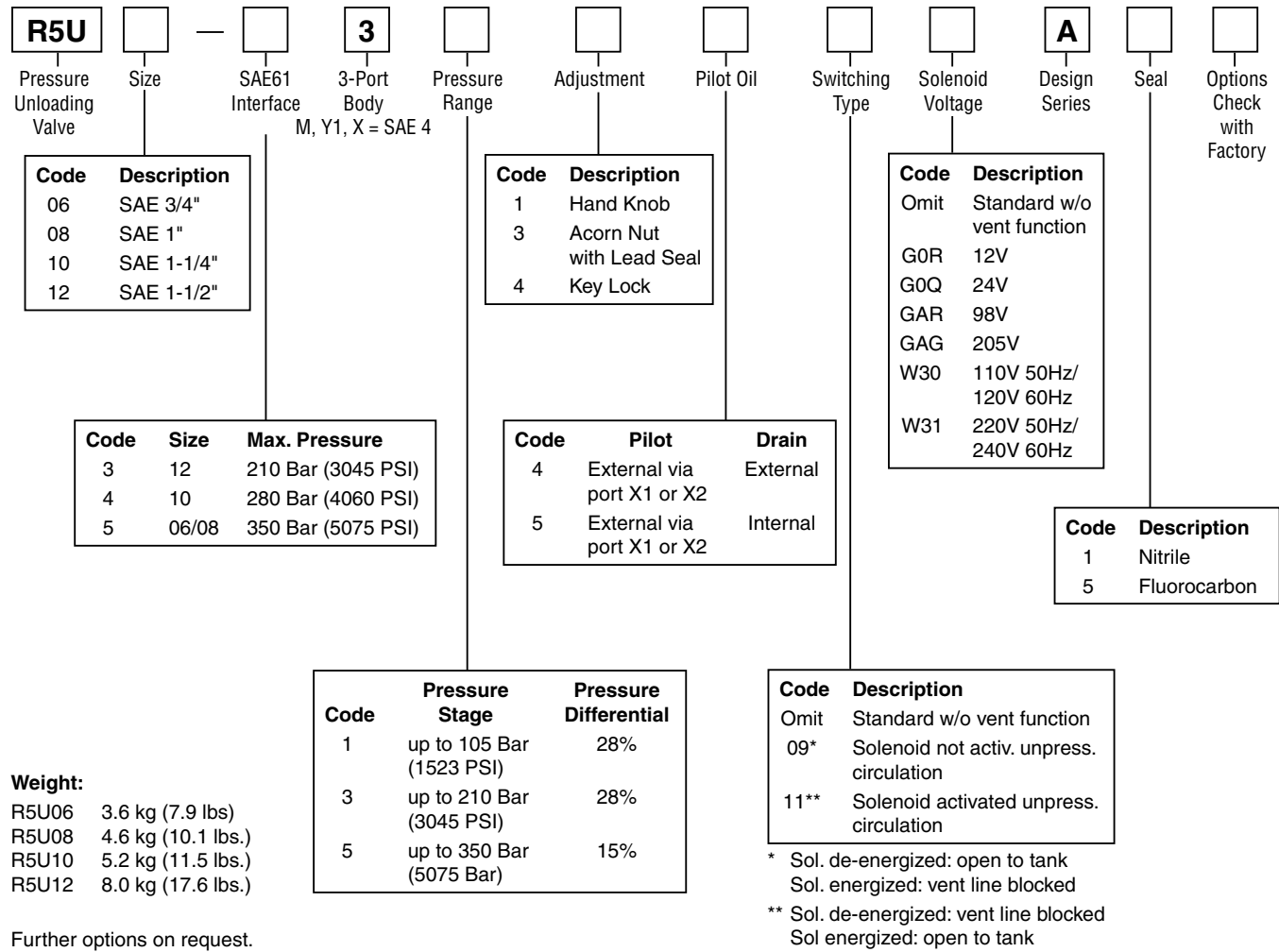
D



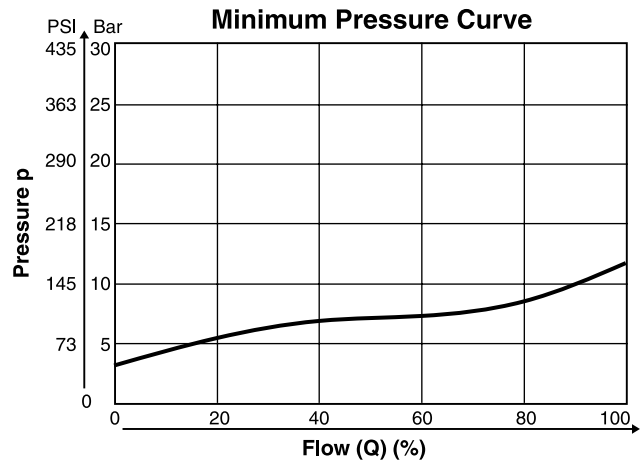
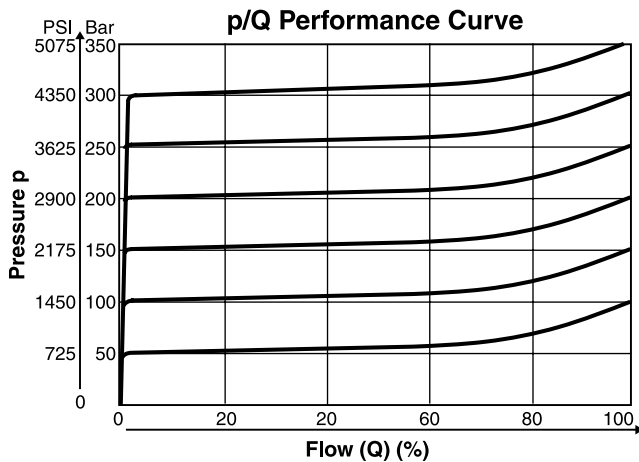
High Pressure / Low Pressure System



Ordering Information



Performance Curves



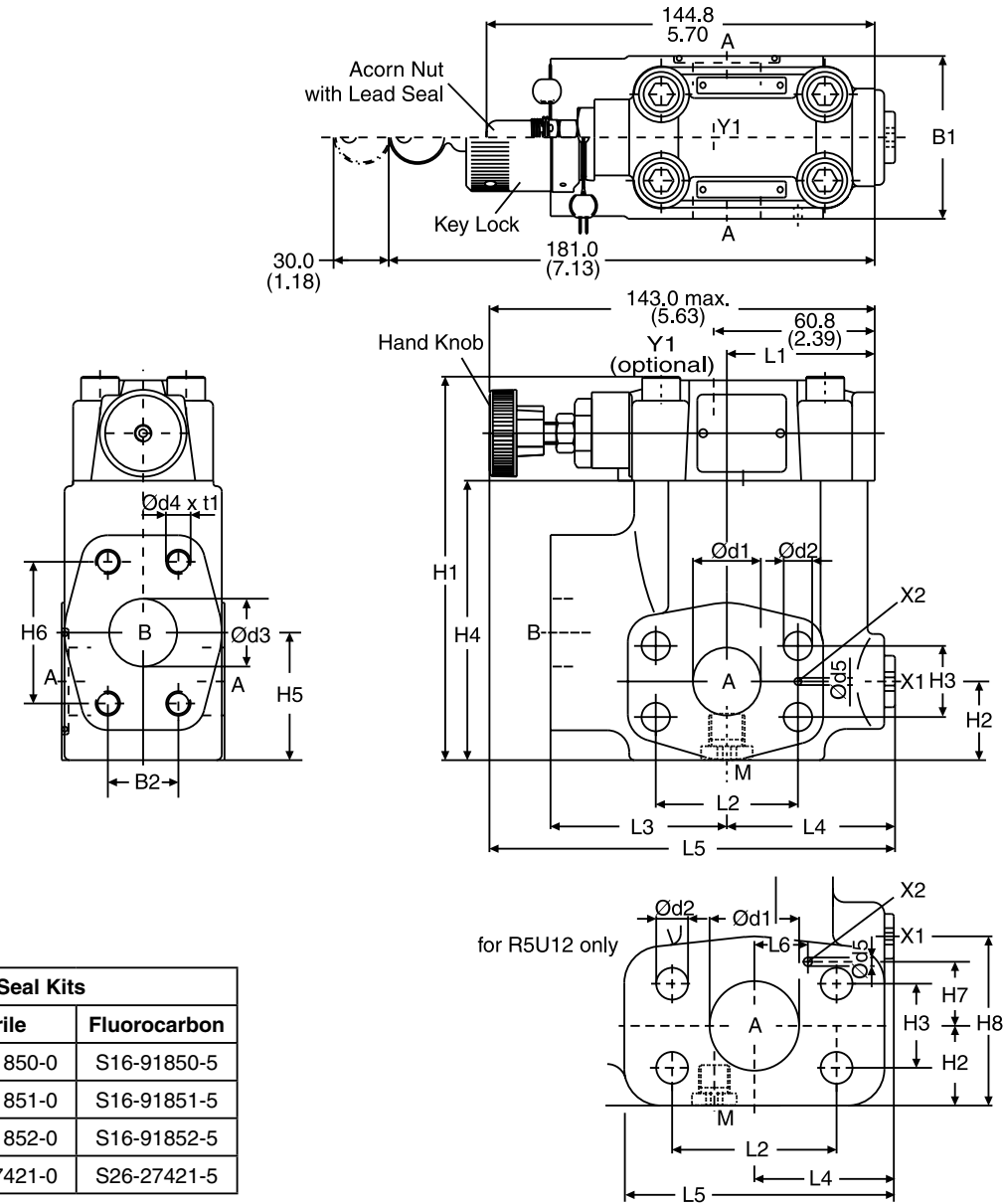
The performance curves are measured with external drain.
 For internal drain the tank pressure has to be added to curve.

R5U.indd, dd

General							
Size		06	08	10	12		
Mounting	Flanged according to SAE 61						
Mounting Position	Unrestricted						
Ambient Temperature	-20°C to +50°C (-4°F to +122°F)						
Hydraulic							
Maximum Operating Pressure	Ports A,B, X	350 Bar (5075 PSI)	350 Bar (5075 PSI)	280 Bar (4060 PSI)	210 Bar (3045 PSI)		
	Ports Y, Y1	30 Bar (435 PSI)	30 Bar (435 PSI)	30 Bar (435 PSI)	30 Bar (435 PSI)		
Pressure Ranges	105 Bar (1523 PSI), 210 Bar (3045 PSI), 350 Bar (5075 PSI)						
Nominal Flow		90 LPM (23.8 GPM)	300 LPM (79.4 GPM)	600 LPM (158.7 GPM)	600 LPM (158.7 GPM)		
Fluid	Hydraulic oil as per DIN 51524 ... 51525						
Fluid Temperature	-20°C to +80°C (-4°F to +176°F)						
Viscosity Permitted Recommended	10 to 650 cSt / mm ² /s (46 to 3013 SSU) 30 cSt / mm ² /s (139 SSU)						
Filtration	ISO Class 4406 (1999) 18/16/13 (acc. NAS 1638: 7)						
Electrical							
Duty Ratio	100%						
Solenoid Connection	Connector as per EN175301-803						
Protection Class	IP65 in accordance with EN60529 (plugged and mounted)						
Supply Voltage	Code	G0R	G0Q	GAR	GAG	W30	W31
		12V	24V	98V	205V	110V at 50Hz 120V at 60Hz	220V at 50Hz 240V at 60Hz
Tolerance Supply Voltage		+5 to -10	+5 to -10	+5 to -10	+5 to -10	±5	±5
Power Consumption	Hold	31W	31W	31W	31W	78W	78W
	In Rush	31W	31W	31W	31W	264W	264W
Response Time	Energized / De-energized AC 20/18ms, DC 46/27 ms						
Maximum Switching Frequency	AC up to 7200 switchings/hour DC up to 16,000 switchings/hour						
Coil Insulation Class	H (180°C) (356°F)						

D

Inch equivalents for millimeter dimensions are shown in (**)



Seal Kits		
Size	Nitrile	Fluorocarbon
06	S16-91850-0	S16-91850-5
08	S16-91851-0	S16-91851-5
10	S16-91852-0	S16-91852-5
12	S26-27421-0	S26-27421-5

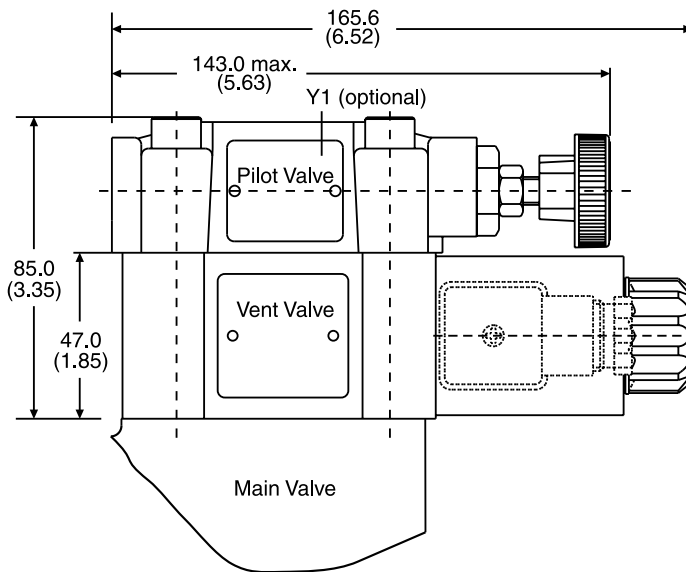
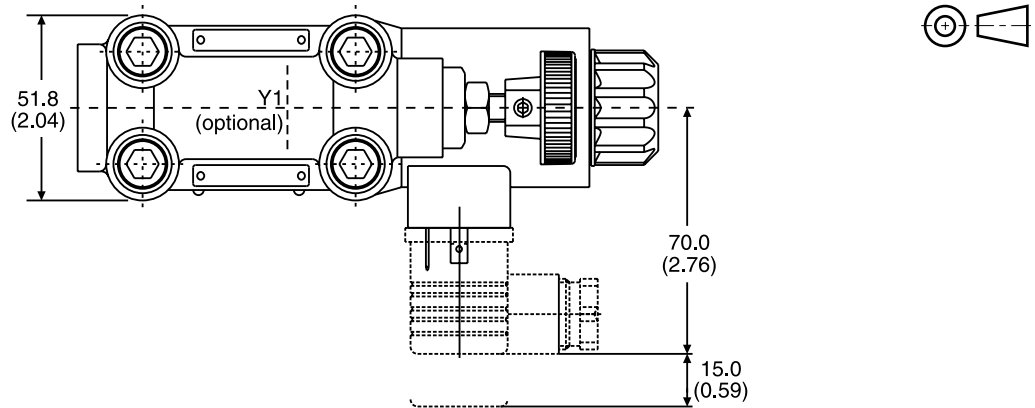
Size	B1	B2	H1	H2	H3	H4	H5	H6	L1	L2	L3	L4	L5	d1	d2	d3	d4	t1	d5	L6	H7	H8
06	60.0 (2.36)	22.2 (0.87)	119.0 (4.69)	28.0 (1.10)	22.2 (0.87)	81.0 (3.19)	41.6 (1.64)	47.6 (1.87)	50.0 (1.98)	47.6 (1.87)	63.0 (2.48)	56.0 (2.20)	152.0 (5.98)	19.0 (0.75)	10.5 (0.41)	19.0 (0.75)	3/8"-16 UNC	20.0 (0.79)	3.0 (0.12)	-	-	-
08	60.0 (2.36)	26.2 (1.03)	141.0 (5.55)	29.0 (1.14)	26.2 (1.03)	103.0 (4.06)	47.0 (1.85)	52.4 (2.06)	55.8 (2.20)	52.4 (2.06)	65.0 (2.56)	58.0 (2.28)	149.0 (5.87)	25.0 (0.98)	10.5 (0.41)	25.0 (0.98)	3/8"-16 UNC	23.0 (0.91)	3.0 (0.12)	-	-	-
10	75.0 (2.95)	30.2 (1.19)	151.0 (5.94)	34.5 (1.36)	30.2 (1.19)	113.0 (4.45)	64.0 (2.52)	58.7 (2.31)	57.8 (2.28)	58.7 (2.31)	61.0 (2.40)	62.0 (2.44)	150.5 (5.93)	32.0 (1.26)	12.5 (0.49)	32.0 (1.26)	7/16"-14 UNC	22.0 (0.87)	3.0 (0.12)	-	-	-
12	80.0 (3.15)	35.7 (1.41)	178.0 (7.01)	34.0 (1.34)	35.7 (1.41)	140.0 (5.51)	73.0 (2.87)	69.8 (2.75)	37.3 (1.47)	69.8 (2.75)	92.5 (3.64)	55.2 (2.17)	171.2 (6.74)	38.0 (1.50)	13.5 (0.53)	38.0 (1.50)	1/2"-13 UNC	27.0 (1.06)	3.0 (0.12)	22.4 (0.88)	27.2 (1.07)	73.0 (2.87)

Port	Function	Port Size			
		R5U06	R5U08	R5U10	R5U12
A (2)	Pressure	3/4" SAE 61	1" SAE 61	1-1/4" SAE 61	1-1/2" SAE 61
B	Tank	3/4" SAE 61	1" SAE 61	1-1/4" SAE 61	1-1/2" SAE 61
X1	External Pilot Port*	SAE 4			
Y1	External Drain	SAE 4			
M	Pressure Gauge	SAE 4			

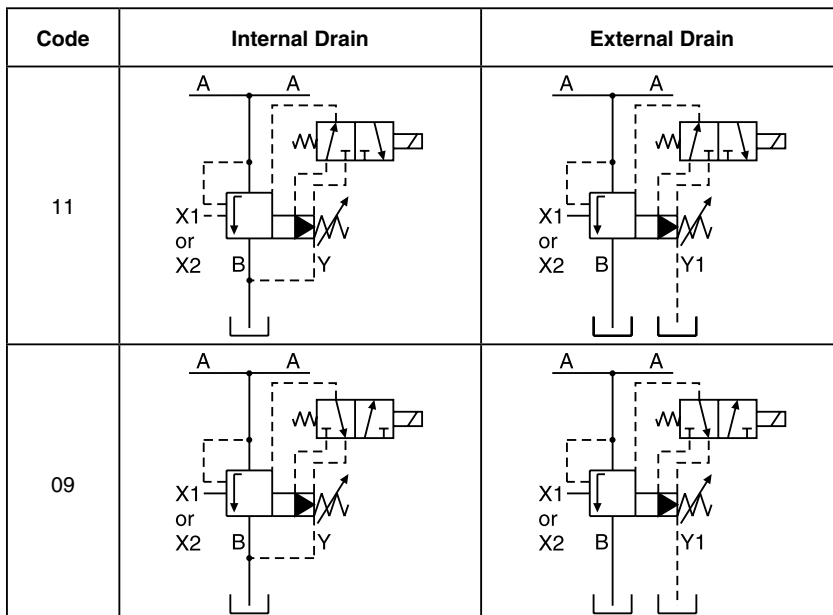
* closed when supplied.

R5U.indd, dd

Inch equivalents for millimeter dimensions are shown in (**)



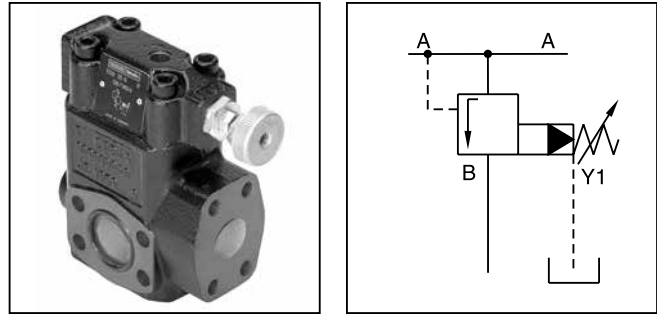
D



Vent Valve Seal Kits	
Nitrile	Fluorocarbon
DC Solenoid	
S26-58515-0	S26-58515-5
AC Solenoid	
S26-35237-0	S26-35237-5

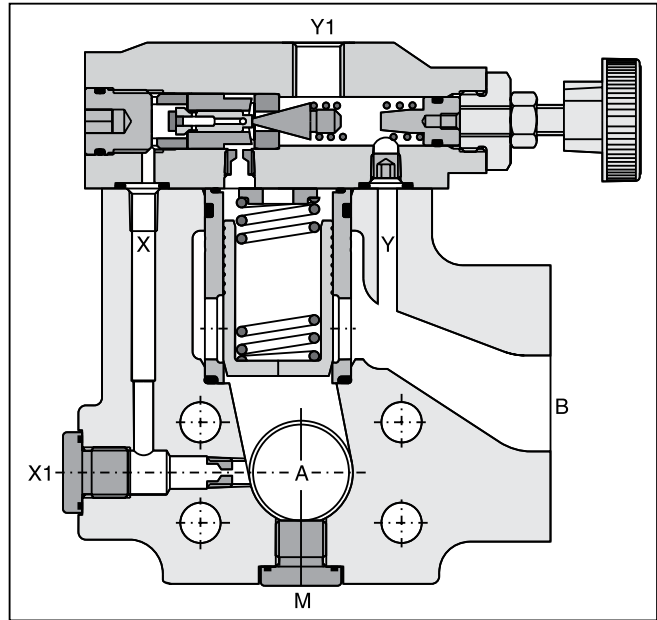
General Description

Series R5S pilot operated sequence valves have a similar design to the subplate mounted R4S series. The SAE flanges allow to mount the valve directly on the inlet flanges of actuators or outlet flanges of pumps to achieve a very compact design.



Features

- Pilot operated with manual adjustment.
- 3-port body with SAE61 flange.
- 3 sizes (SAE 3/4", 1", 1-1/4").
- 3 pressure stages:
- 2 adjustment modes:
 - Hand knob
 - Acorn nut with lead seal



Ordering Information

R5S		—		3			6	A		
Pressure Sequence Valve	Size	SAE 61 Interface	3-Port Body Y1, M = SAE 4	Pressure Range	Adjustment	External Drain from Y1 Port	Design Series	Seal	Options Check with Factory	
	Code	Description		Code	Description		Code	Description		
	06	SAE 3/4"		1	up to 105 Bar (1523 PSI)		1	Nitrile		
	08	SAE 1"		3	up to 210 Bar (3045 PSI)		5	Fluorocarbon		
	10	SAE 1-1/4"		5	up to 350 Bar (5075 Bar)					
	Code	Size	Max. Pressure	Code	Description		Weight:			
	4	10	280 Bar (4060 PSI)	1	Hand Knob		R5S06	3.6 kg (7.9 lbs.)		
	5	06/08	350 Bar (5075 PSI)	3	Acorn Nut with Lead Seal		R5S08	4.6 kg (10.1 lbs.)		
				4	Key Lock		R5S10	5.2 kg (11.5 lbs.)		

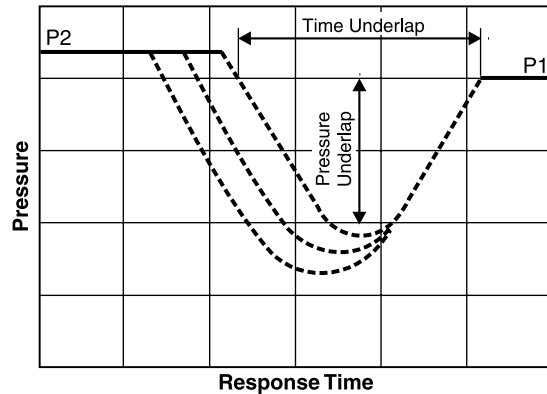
Specifications

General				
Size		06	08	10
Mounting	Flanged according to SAE 61			
Mounting Position	Unrestricted			
Ambient Temperature Range	-20°C to +50°C (-4°F to +122°F)			
Hydraulic				
Max. Operating Pressure	Ports A,B	350 Bar (5075 PSI)	350 Bar (5075 PSI)	280 Bar (4060 PSI)
	Ports Y, Y1	30 Bar (435 PSI)	30 Bar (435 PSI)	30 Bar (435 PSI)
Pressure Ranges	105 Bar (1523 PSI), 210 Bar (3045 PSI), 350 Bar (5075 PSI)			
Nominal Flow		90 LPM (23.3 GPM)	300 LPM (79.4 GPM)	600 LPM (158.7 GPM)
Fluid	Hydraulic oil as per DIN 51524 ... 51525			
Fluid Temperature	-20°C to 80°C (-4°F to 176°F)			
Viscosity	Permitted Recommended	10 to 650 cSt / mm ² /s (46 to 3013 SSU) 30 cSt / mm ² /s (139 SSU)		
Filtration	ISO Class 4406 (1999) 18/16/13 (acc. NAS 1638: 7)			

D

Performance Curve

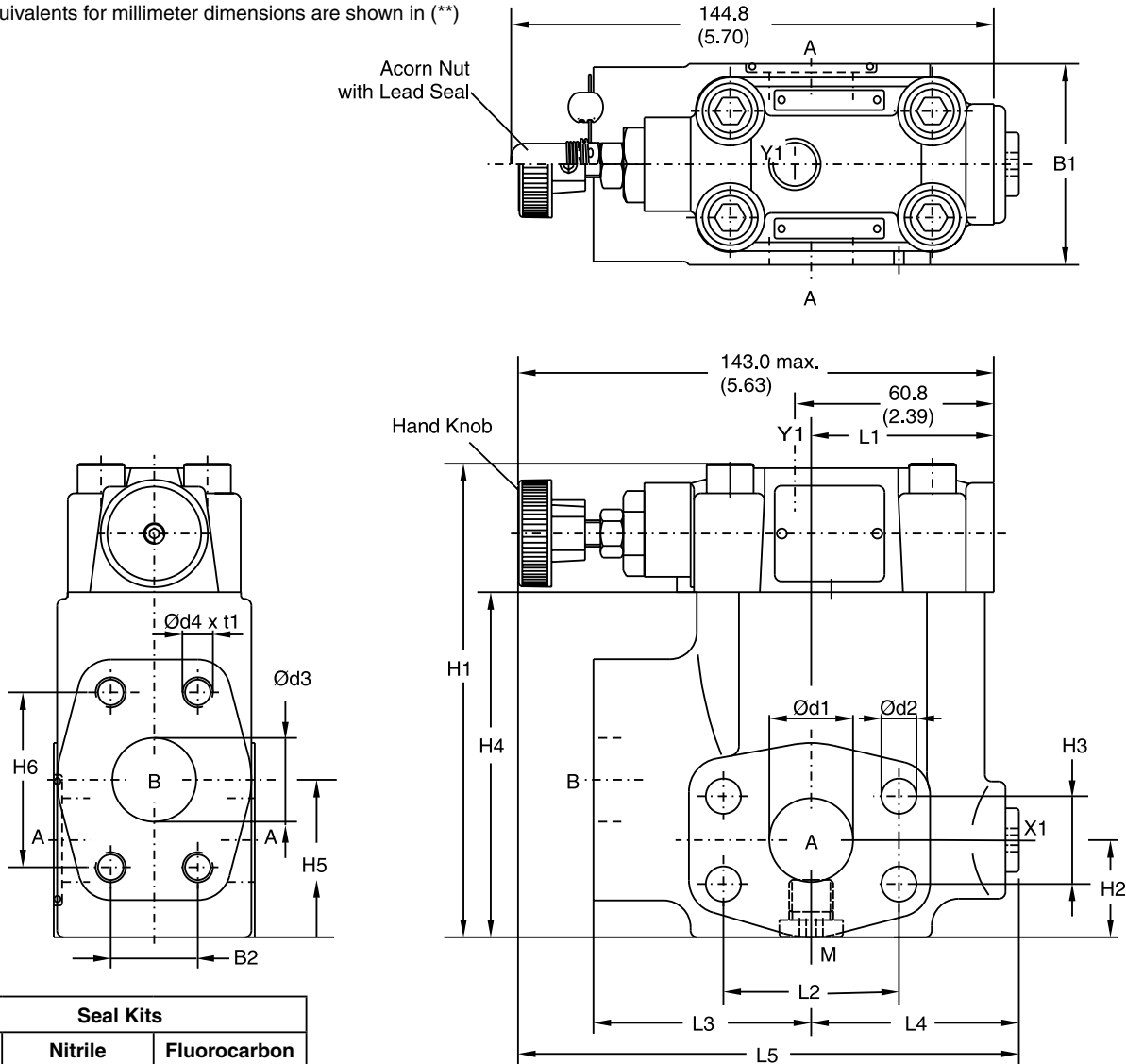
**Typical Pressure Characteristics
at Closing Point**



P1 = Setting Pressure
P2 = Operating Pressure

Time and pressure underlap depend on the characteristics of the specific system.

Inch equivalents for millimeter dimensions are shown in (**)



Seal Kits		
Size	Nitrile	Fluorocarbon
06	S16-91850-0	S16-91850-5
08	S16-91851-0	S16-91851-5
10	S16-91852-0	S16-91852-5

SAE 61

Size	B1	B2	H1	H2	H3	H4	H5	H6	L1	L2	L3	L4	L5	d1	d2	d3	d4 (option 152)	t1
06	60.0 (2.36)	22.2 (0.87)	119.0 (4.69)	28.0 (1.10)	22.2 (0.87)	81.0 (3.19)	41.6 (1.64)	47.6 (1.87)	50.3 (1.98)	47.6 (1.87)	63.0 (2.48)	56.0 (2.20)	152.0 (5.98)	19.0 (0.75)	10.5 (0.41)	19.0 (0.75)	3/8"-16 UNC (M10)	20.0 (0.79)
08	60.0 (2.36)	26.2 (1.03)	141.0 (5.55)	29.0 (1.14)	26.2 (1.03)	103.0 (4.06)	47.0 (1.85)	52.4 (2.06)	55.8 (2.20)	52.4 (2.06)	65.0 (2.56)	58.0 (2.28)	149.0 (5.87)	25.0 (0.93)	10.5 (0.41)	25.0 (0.98)	3/8"-16 UNC (M10)	23.0 (0.91)
10	75.0 (2.95)	30.2 (1.19)	151.0 (5.94)	34.5 (1.36)	30.2 (1.19)	113.0 (4.45)	64.0 (1.52)	58.7 (2.31)	57.8 (2.28)	58.7 (2.31)	61.0 (2.40)	62.0 (2.44)	150.5 (5.93)	32.0 (1.26)	12.5 (0.49)	32.0 (1.26)	7/16"-14 UNC (M12)	22.0 (0.87)

Port	Function	Port Size		
		R5S06	R5S08	R5S10
A (2)	Pressure	3/4" SAE 61	1" SAE 61	1-1/4" SAE 61
B	Secondary Port	3/4" SAE 61	1" SAE 61	1-1/4" SAE 61
X1	External Pilot Port*	SAE 4		
Y1	External Drain	SAE 4		
M	Pressure Gauge	SAE 4		

* closed when supplied.

R5S.indd, dd

General Description

Series R4V pilot operated, pressure relief valves for in-line mounting have a similar design to the subplate mounted R4V series. For single functions where no manifold blocks are used, the valves can be directly placed in the pipework.

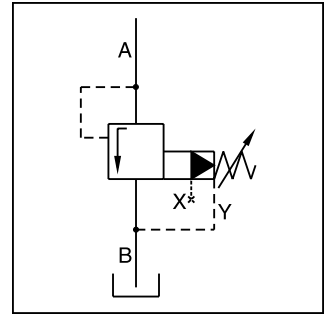
The R4V valves are available with 2 ports (L-body) for in-line relief function or with 3 ports (T-body) for relief functions in the bypass.

Operation

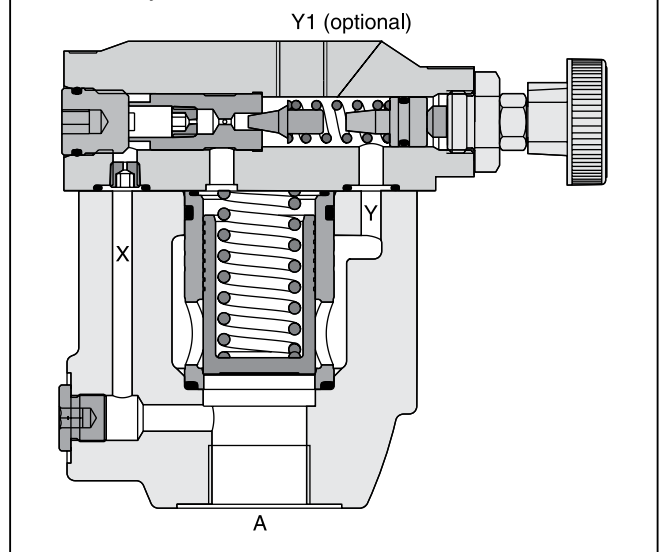
The system pressure in Port A is applied to the pilot valve and to the top surface of the main poppet via an orifice in X. The hydraulically balanced main poppet is held against the seat by the main spring. In this state there is no flow through the valve. The adjusted spring force acting on the pilot cone determines the relief pressure. If the pressure in Port A exceeds the set point, the pilot cone is lifted from its seat, releasing a small pilot flow to tank. The flow through the control orifice in X creates a pressure drop which limits the pressure at the top of the main poppet to the set point. The higher system pressure in Port A now lifts the main poppet off its seat and allows flow to Port B. In the resulting float position only enough flow is passed from Port A to Port B to maintain the inlet pressure in Port A at the set point. When the pressure in Port A falls below the set point, the hydraulic balance on the main poppet is restored. The main spring then forces the main poppet to close.

Features

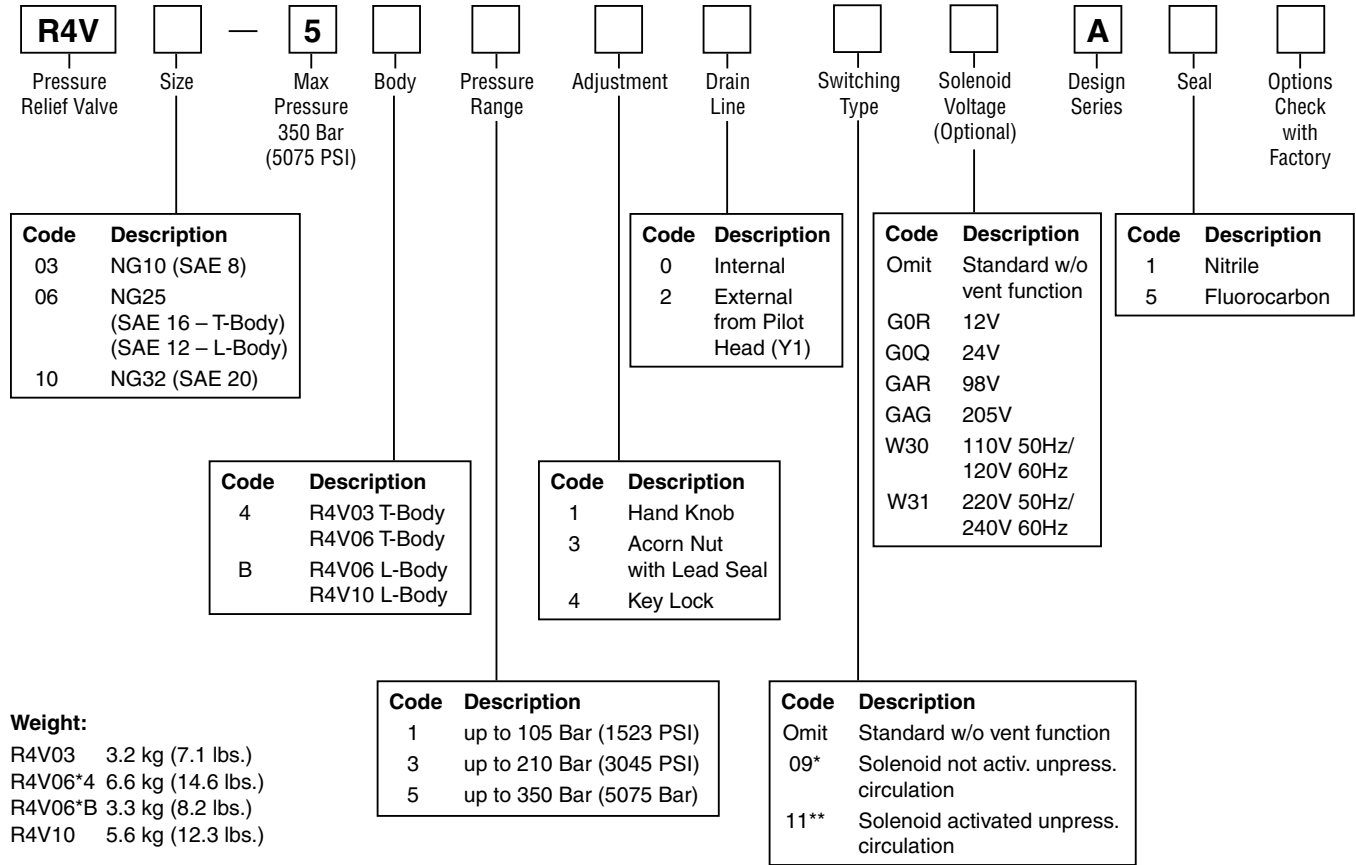
- Pilot operated with manual adjustment.
- 2 interfaces:
 - L-body (R4V06-*SAE* 12, R4V10-*SAE* 20)
 - T-body (R4V03-*SAE* 8, R4V06-*SAE* 16)
- 3 pressure stages.
- 3 adjustment modes:
 - Hand knob
 - Acorn nut with lead seal
 - Key lock
- With optional vent function.



R4V06 L-Body



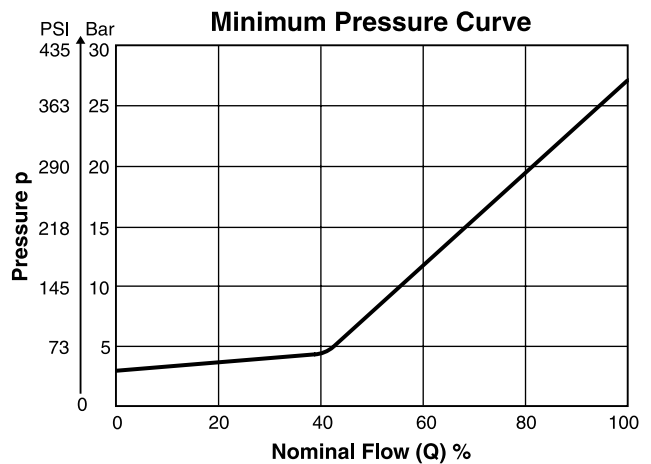
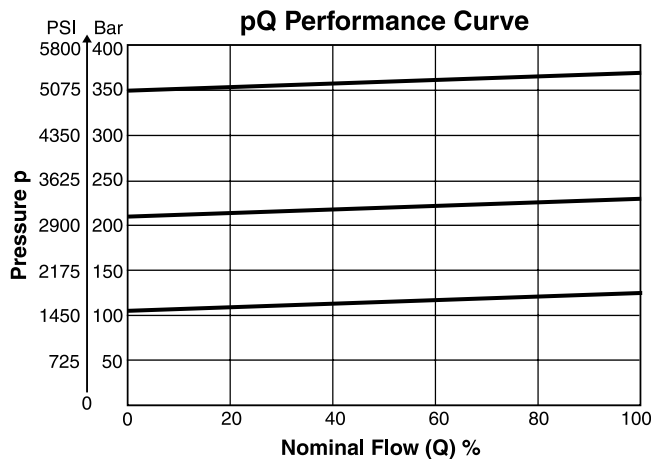
Ordering Information



Weight:
R4V03 3.2 kg (7.1 lbs.)
R4V06*4 6.6 kg (14.6 lbs.)
R4V06*B 3.3 kg (8.2 lbs.)
R4V10 5.6 kg (12.3 lbs.)

* Sol. de-energized: open to tank
Sol. energized: vent line blocked
** Sol. de-energized: vent line blocked
Sol energized: open to tank

Performance Curves*



* The performance curves are measured with external drain. For internal drain, the tank pressure has to be added to the curve.

R4V

General				
Size	T-Body		L-Body	
	03 (SAE 8)	06 (SAE 16)	06 (SAE 12)	10 (SAE 20)
Mounting	Threaded Body			
Mounting Position	Unrestricted			
Ambient Temp. Range	-20°C to +50°C (-4°F to +122°F)			
Hydraulic				
Max. Operating Pressure	Ports A and X up to 350 Bar (5075 PSI); Ports B and Y 30 Bar (435 PSI)			
Pressure Ranges	105 Bar (1523 PSI), 210 Bar (3045 PSI), 350 Bar (5075 PSI)			
Nominal Flow	60 LPM (15.9 GPM)	200 LPM (52.9 GPM)	200 LPM (52.9 GPM)	450 LPM (119.0 GPM)
Fluid	Hydraulic oil as per DIN 51524 ... 51525			
Fluid Temperature	-20°C to +80°C (-4°F to +176°F)			
Viscosity	10 to 650 cSt / mm ² /s (46 to 3013 SSU)			
	Permitted Recommended	30 cSt / mm ² /s (139 SSU)		
Filtration	ISO Class 4406 (1999) 18/16/13 (acc. NAS 1638: 7)			

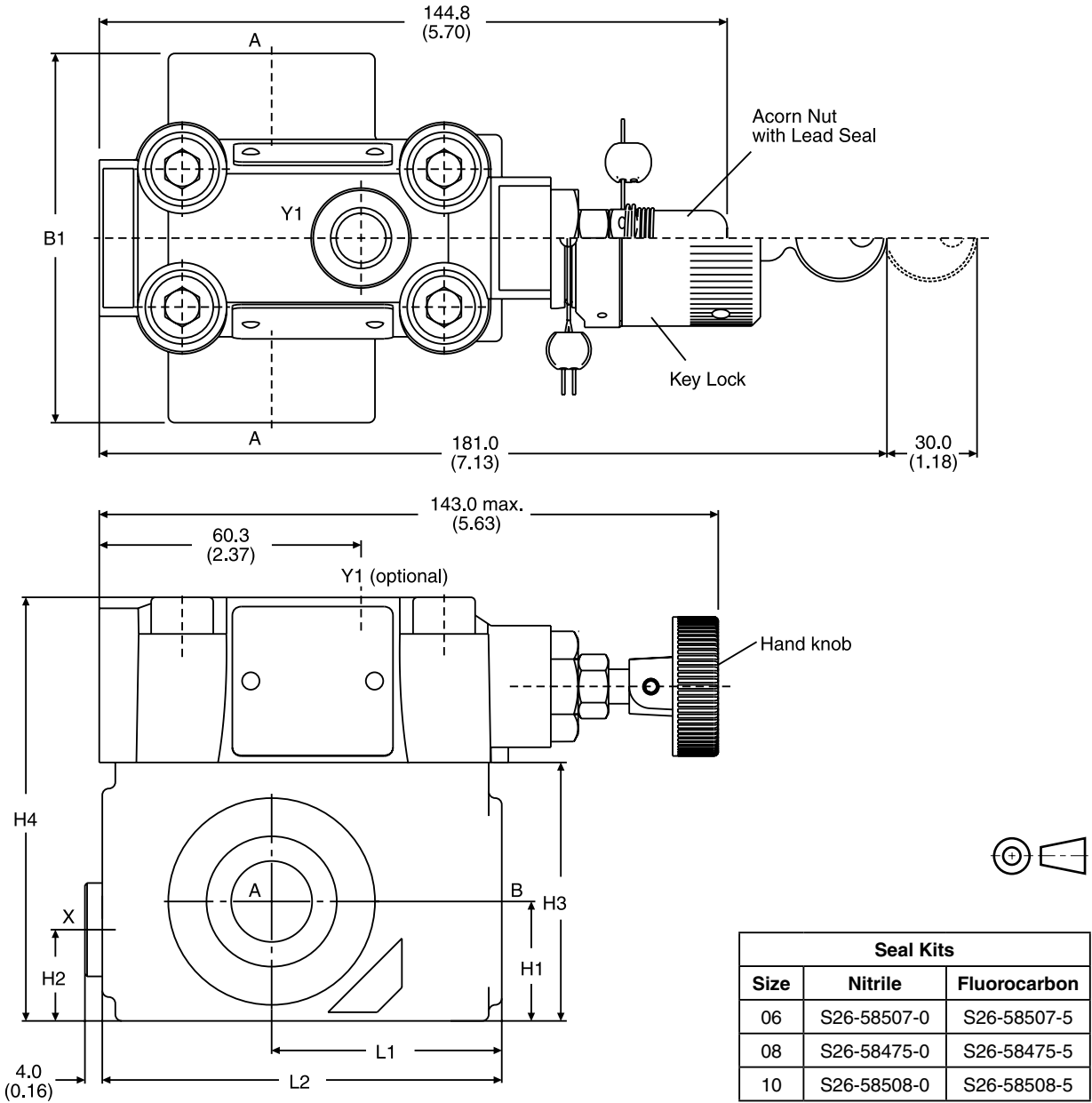
D

R4V with Vent Function

General							
Size	T-Body			L-Body			
	03 (SAE 8)	06 (SAE 16)	06 (SAE 12)	10 (SAE 20)			
Mounting	Threaded Body						
Mounting Position	Unrestricted						
Ambient Temp. Range	-20°C to +50°C (-4°F to +122°F)						
Weight	3.2 kg (7.0 lbs)	6.6 kg (14.5 lbs)	3.3 kg (7.3 lbs)	5.6 kg (12.3 lbs)			
Electrical (Solenoid)							
Duty Ratio	100%						
Response Time	Energized / De-energized AC: 20/18ms, DC: 46/27 ms						
	Code	G0R	G0Q	GAR	GAG	W30	W31
Supply Voltage		12V	24V	98V	205V	110V at 50Hz 120V at 60Hz	220V at 50Hz 240V at 60Hz
Tolerance Supply Voltage		+5 to -10	+5 to -10	+5 to -10	+5 to -10	±5	±5
Power Consumption	Hold	31W	31W	31W	31W	78W	78W
	In Rush	31W	31W	31W	31W	264W	264W
Maximum Switching Frequency	AC up to 7,200 switchings per hour DC up to 16,000 switchings per hour						
Solenoid Connection	Connector as per EN175301-803						
Protection Class	IP65 in accordance with EN60529 (plugged and mounted)						
Coil Insulation Class	H (180°C) (356°F)						

T-Body

Inch equivalents for millimeter dimensions are shown in (**)



Size	Body	B1	B2	B3	B4	H1	H2	H3	H4	H5	H6	H7	H8	L1	L2	L3
03	T-body	85.0 (3.35)	-	-	-	27.5 (1.08)	21.0 (0.83)	59.5 (2.34)	97.5 (3.84)	-	-	-	-	53.0 (2.09)	92.0 (3.62)	-
06	T-body	136.0 (5.35)	-	-	-	38.0 (1.50)	28.0 (1.10)	93.0 (3.66)	131.0 (5.16)	-	-	-	-	66.5 (2.62)	117.5 (4.63)	-

Ports	Function	Port size	
		R4V03 T-body	R4V06 T-body
A	Pressure (inlet)	SAE 8	SAE 16
B	Tank (outlet)	SAE 8	SAE 16
X ¹⁾	Ext. Remote Control or Vent Connection	SAE 4	
Y1 ²⁾	External Drain	SAE 4	

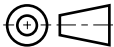
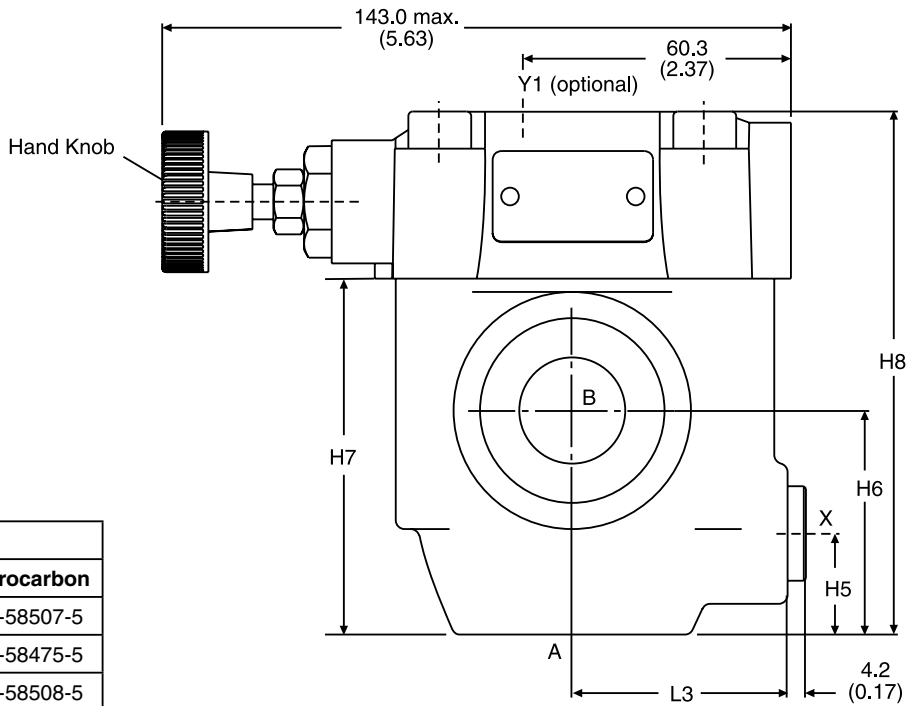
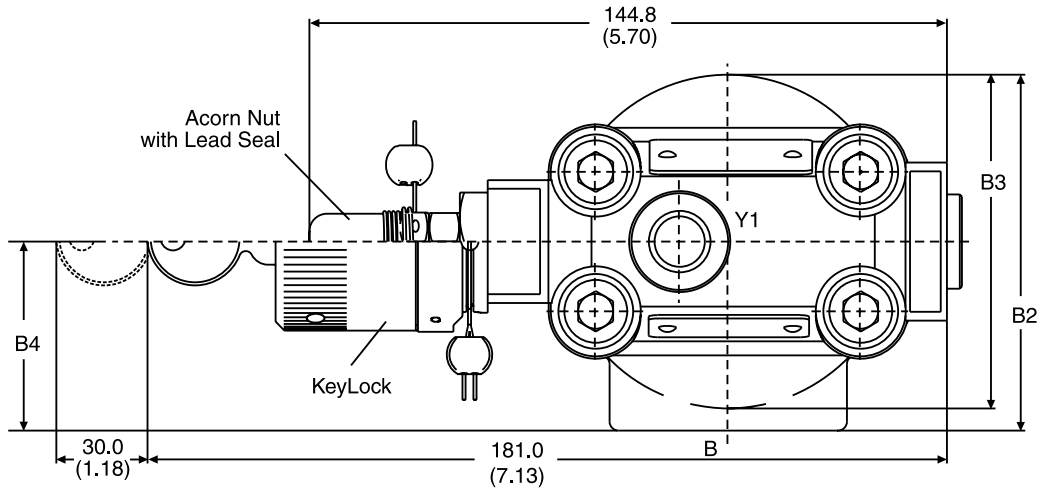
¹⁾ closed when supplied

²⁾ port Y1 is only available at drain line (code 2) external from the pilot head

R4V.indd, dd

L-Body

Inch equivalents for millimeter dimensions are shown in (**)



Seal Kits		
Size	Nitrile	Fluorocarbon
06	S26-58507-0	S26-58507-5
08	S26-58475-0	S26-58475-5
10	S26-58508-0	S26-58508-5

Size	Body	B1	B2	B3	B4	H1	H2	H3	H4	H5	H6	H7	H8	L1	L2	L3
06	L-body	-	81.0 (3.19)	76.0 (2.99)	43.0 (1.69)	-	-	-	-	23.0 (0.91)	51.0 (2.01)	81.0 (3.19)	119.0 (4.69)	-	-	49.0 (1.93)
10	L-body	-	120.7 (4.75)	85.8 (3.38)	77.8 (3.06)	-	-	-	-	31.8 (1.25)	50.8 (2.00)	96.0 (3.78)	134.0 (5.78)	-	-	49.8 (1.96)

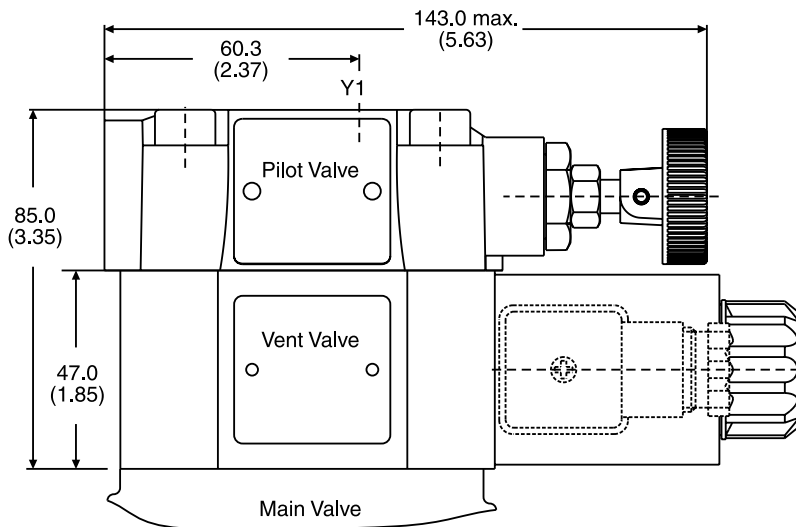
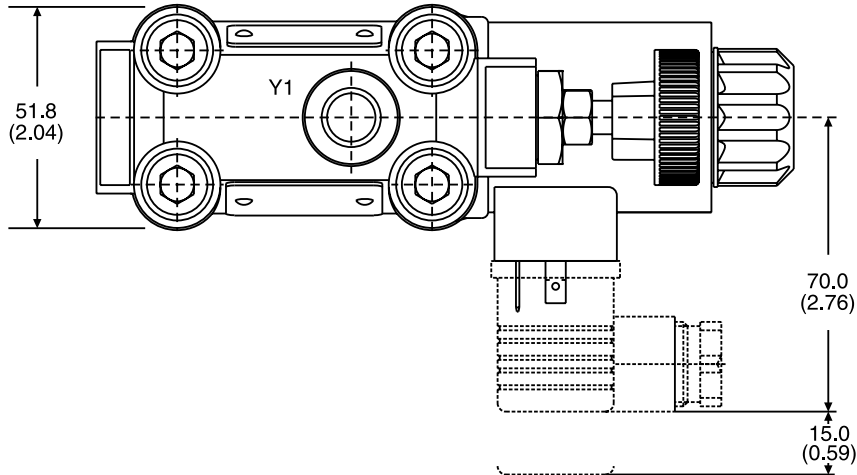
Ports	Function	Port size	
		R4V06 L-body	R4V10 L-body
A	Pressure (inlet)	SAE 12	SAE 20
B	Tank (outlet)	SAE 12	SAE 20
X ¹⁾	Ext. Remote Control or Vent Connection	SAE 4	
Y1 ²⁾	External Drain	SAE 4	

¹⁾ closed when supplied

²⁾ port Y1 is only available at drain line (code 2) external from the pilot head

R4V.indd, dd

Inch equivalents for millimeter dimensions are shown in (**)



Vent Valve Seal Kits	
Nitrile	Fluorocarbon
DC Solenoid	
S26-58515-0	S26-58515-5
AC Solenoid	
S26-35237-0	S26-35237-5

Code	Internal Drain	External Drain
11		
09		

General Description

Series R1E02 direct operated, pressure relief valves are seated type valves typically used for remote pressure controls. In applications where the reliability and simplicity of a hydraulic remote control are preferred to an electrohydraulic system, Series R1E02 is an ideal solution.

Typically pilot operated pressure valves or compensators of variable pumps are controlled.

Features

- Seated type valve.
- 3 body variants:
 - foot mounting
 - front panel mounting
 - subplate mounting
- 3 pressure ranges.
- 3 adjustment modes:
 - hand knobs
 - acorn nut with lead seal
 - adjusting with lock



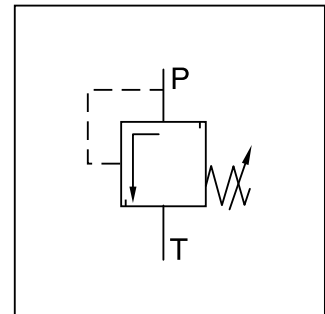
Foot Mounting



Front Panel Mounting

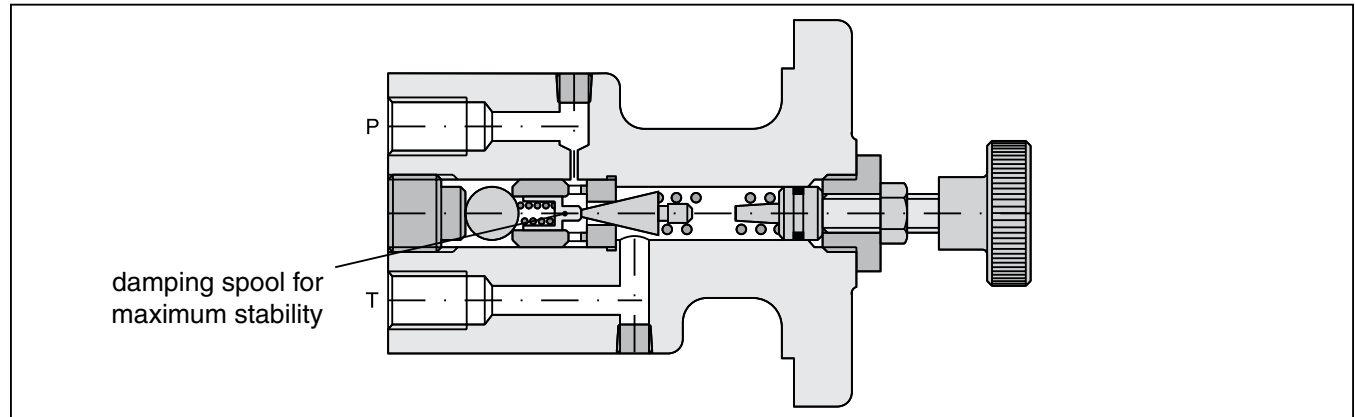


Subplate Mounting

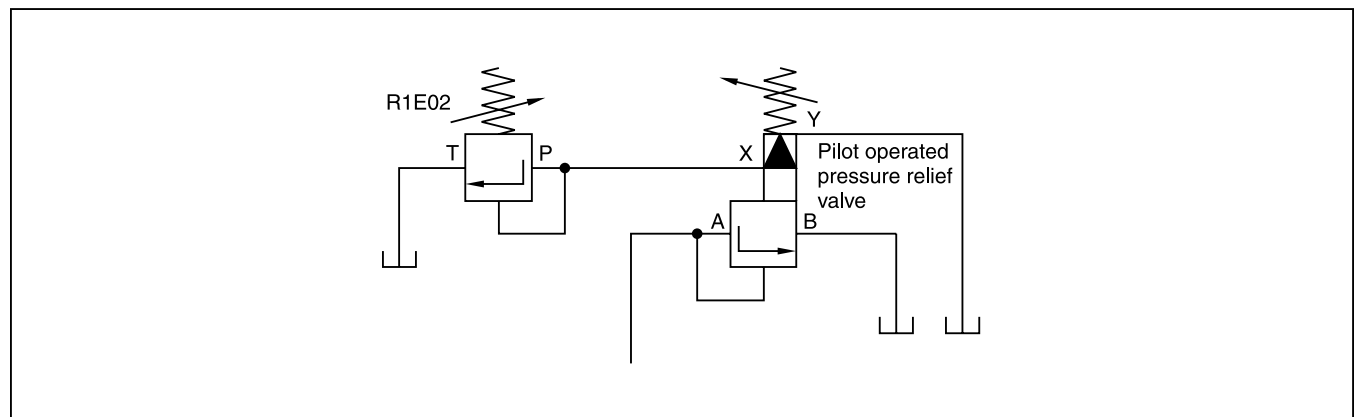


D

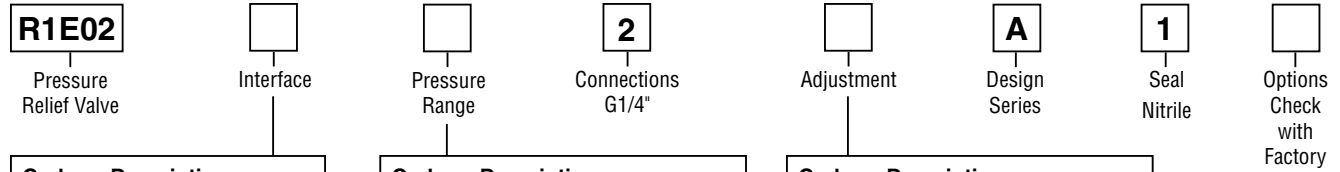
Front Panel Mounting



Typical Configuration as Remote Pilot Valve



Ordering Information



Code	Description
1	Foot Mounting
2	Front Panel Mounting
3	Subplate Mounting

Code	Description
1	up to 105 Bar (1523 PSI)
3	up to 210 Bar (3045 PSI)
5	up to 350 Bar (5075 PSI)

Code	Description
1	Hand Knob Ø32mm
3	Acorn Nut with Lead Seal
4 *	Adjusting Device with Lock (Key Order No. 700-70619)

Weight:

R1E021	2.1 kg (4.6 lbs.)
R1E022	2.1 kg (4.6 lbs.)
R1E023	1.0 kg (2.2 lbs.)

Seal Kit:

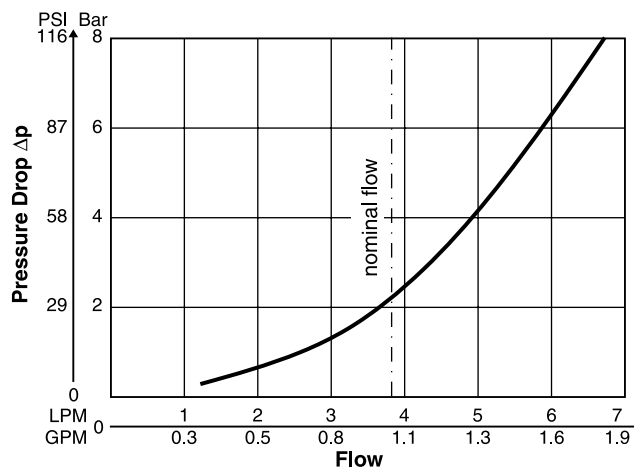
R1E021	S26-58466-0
R1E022	S26-58466-0
R1E023	S16-91963-0

* on bodies for subplate mounting use plate S16-64188.

Specifications

General	
Size	1/4"
Interface	Foot mounting, Front panel mounting, Subplate mounting
Mounting Position	Unrestricted
Ambient Temperature Range	-20°C to +70°C (-4°F to +158°F)
Hydraulic	
Maximum Operating Pressure	Port P 350 Bar (5075 PSI); Port T depressurized
Pressure Range	105 Bar (1523 PSI), 210 Bar (3045 PSI), 350 Bar (5075 PSI)
Fluid	Hydraulic oil as per DIN 51524 ... 51525
Fluid Temperature	-20°C to +70°C (-4°F to +158°F)
Nominal Flow	3.8 LPM (1.0 GPM)
Minimum Pressure Setting	7 Bar (102 PSI)
Viscosity Permitted	10 to 650 cSt / mm ² /s (46 to 3013 SSU)
Viscosity Recommended	30 cSt / mm ² /s (139 SSU)
Filtration	ISO Class 4406 (1999) 18/16/13

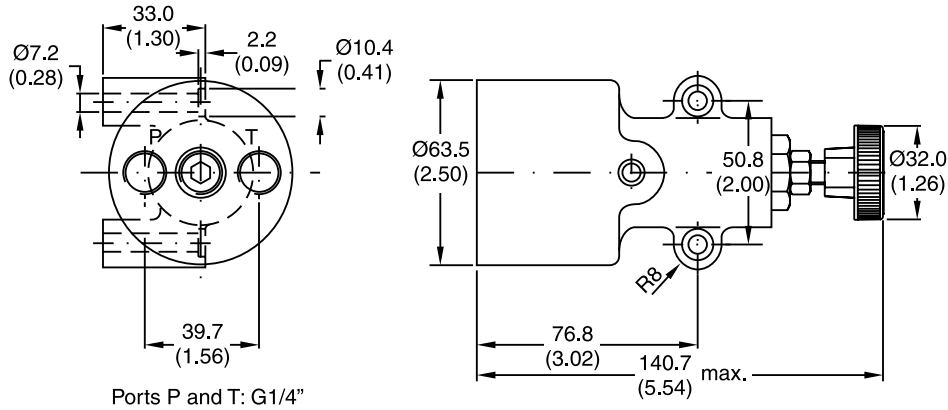
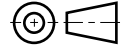
Performance Curve



Fluid viscosity 35 cSt at 50°C (122°F) ± 5°C (41°F)

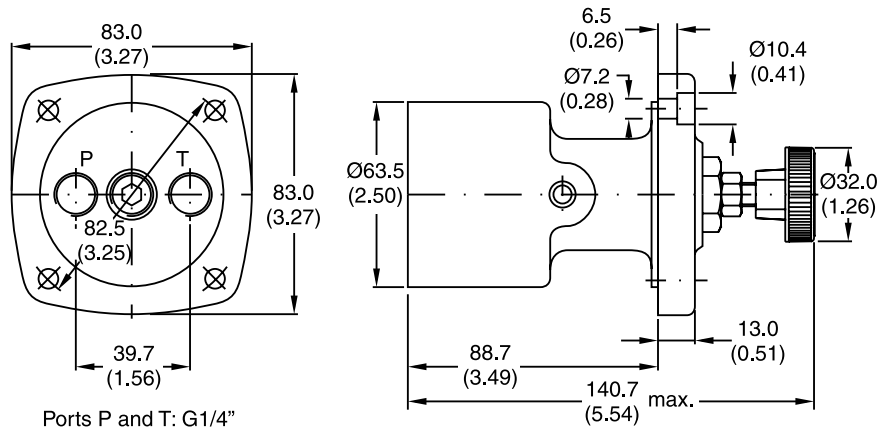
Inch equivalents for millimeter dimensions are shown in (**)

Foot Mounting

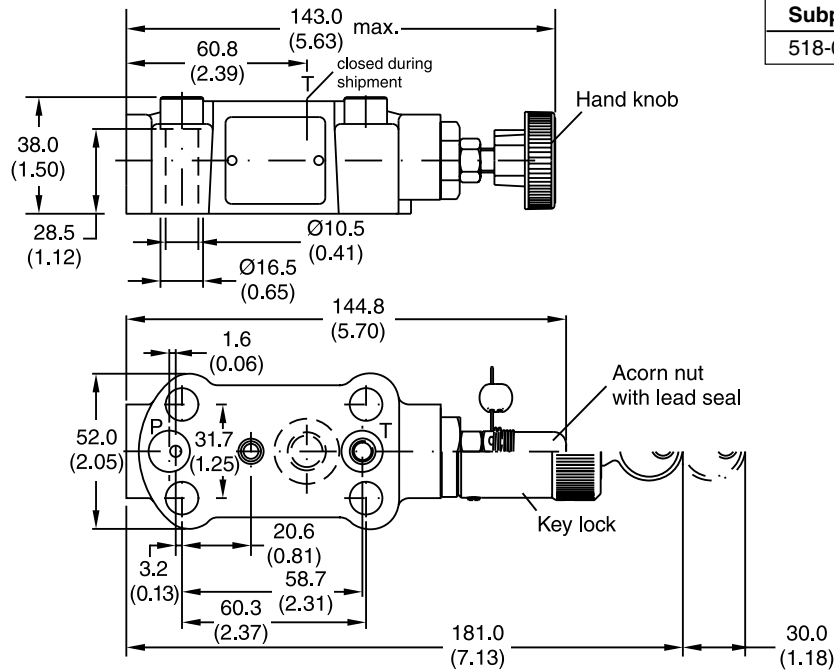


D

Front Panel Mounting



Subplate Mounting



Subplate	Size
518-00139-0	3/8" NPT

[Return to ALPHA TOC](#)

[Return to SECTION TOC](#)

Contents

Return to
ALPHA
TOC

Return to
SECTION
TOC

Series 2F1C
 General Description..... 2-Way Flow Control Valves, Subplate Mounted E2
 Operation..... E2
 Features E2
 Ordering Information E2
 Specifications E3
 Performance Curves..... E4 - E6
 Dimensions..... E7

Series C4V
 General Description..... Direct Operated Check Valves, Subplate Mounted E8
 Operation..... E8
 Features E8
 Ordering Information E8
 Specifications E9
 Performance Curves..... E9
 Dimensions..... E10

Series C4V
 General Description Pilot Operated Check Valves, Subplate Mounted E12
 Operation..... E12
 Features E12
 Ordering Information E12
 Specifications E13
 Performance Curves..... E13
 Dimensions..... E14

Series C5P
 General Description..... Pilot Operated Check Valves, SAE Flange E15
 Operation..... E15
 Features E15
 Ordering Information E15
 Specifications E16
 Performance Curves..... E16
 Dimensions..... E17

Series C5V
 General Description..... Direct Operated Check Valves, SAE Flange E18
 Operation..... E18
 Features E18
 Ordering Information E18
 Specifications E19
 Performance Curves..... E19
 Dimensions..... E20

Terms of Sale and Warranty Limitations E21

Safety Guide..... E22 - E23



General Description

Series 2F1C 2-way flow control valves provide pressure and viscosity compensated flow from port A to port B. The counter direction is blocked (standard) or can be open via an integral reverse flow check valve (optional).

Operation

The compensator spool is located in front of the metering spool. The metering spool is closed in the neutral position to avoid undesired initial actuator motion. The oil flow to open the metering spool has to pass a needle valve (not shown in the sectional drawing). The needle valve can be adjusted from the front panel to set the response time of the 2F1C.

The metering spool is adjusted by the main control knob. The key lock has three positions:

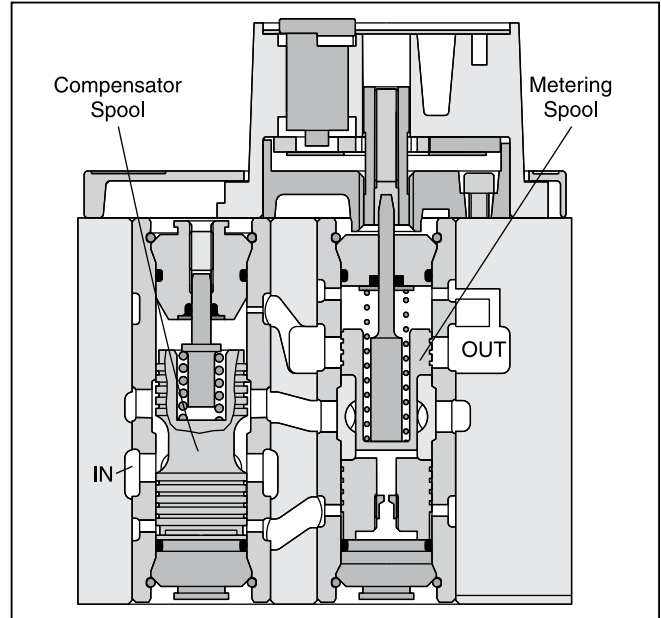
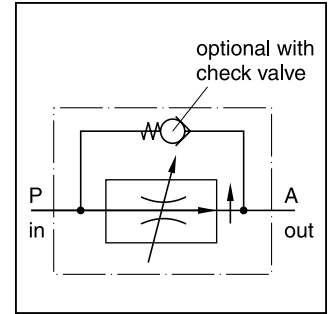
Lock: Adjustment is locked.

Adjust: Full adjustment is permitted.

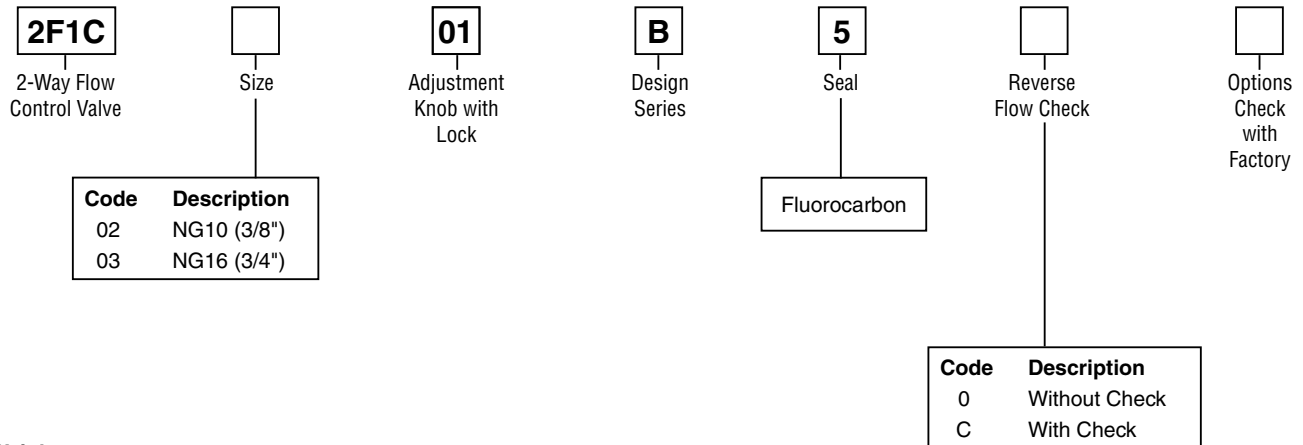
Trim: Fine adjustment of $\pm 5\%$ is possible.

Features

- 2 way flow control valve.
- Subplate mounting according to ISO 6263.
- Excellent fine adjustment.
- Adjustable response time.
- Closed in neutral position.
- Optional reverse flow check valve.
- 2 sizes: NG10 (3/8"), NG16 (3/4").



Ordering Information

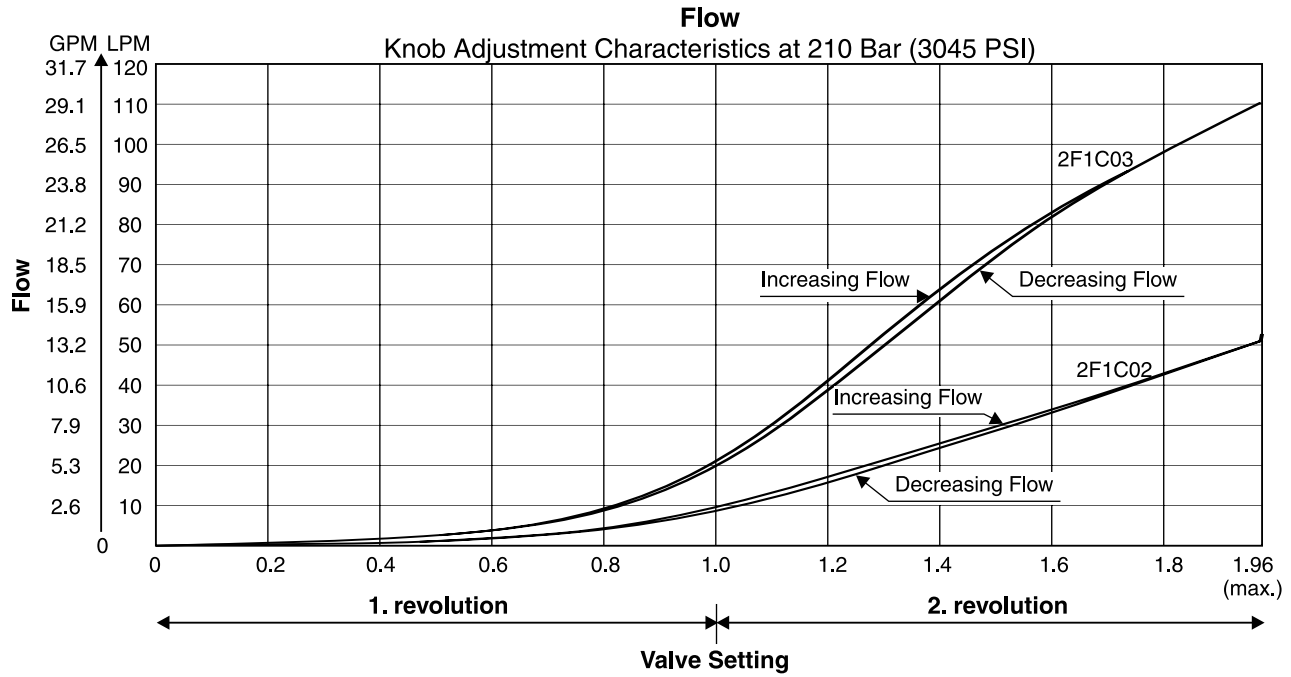


Weight:

2F1C02	6.0 kg (13.2 lbs.)
2F1C03	9.0 kg (19.8 lbs.)

Size		NG10	NG16
Actuator		Manual flow rate adjustment	
Mounting Type		ISO 6263	
Mounting Position		Unrestricted	
Fluid Temperature		+70°C (+158°F) Maximum	
Ambient Temperature		-25°C to +50°C (-13°F to +122°F)	
Viscosity Range		2.8 to 400 cSt / mm ² /s (13 to 1854 SSU)	
Filtration		ISO 4406 (1999); 18/16/13 (meet NAS 1638:7)	
Maximum Pressure Difference		See Diagram	
Maximum Operating Pressure	Port A	2F1C02 14 - 280 Bar (203 - 4060 PSI) 0 - 270 Bar (0 - 3915 PSI)	2F1C03 14 - 350 Bar (203 - 5075 PSI) 0 - 340 Bar (0 - 4930 PSI)
	Port B		
Flow Direction	A-B	Flow control function	
	B-A	Blocked or free flow through check valve	

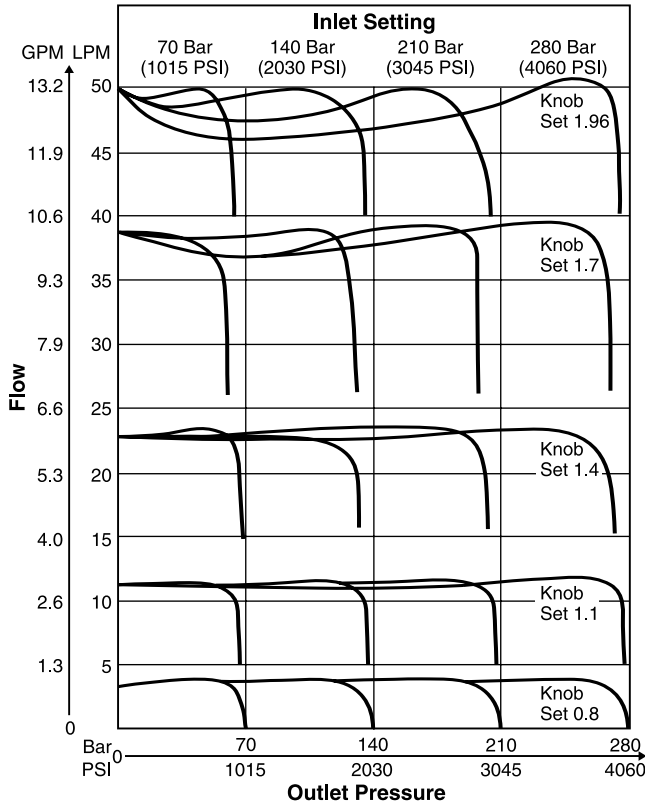
E



2F1C02

Flow / Pressure Drop

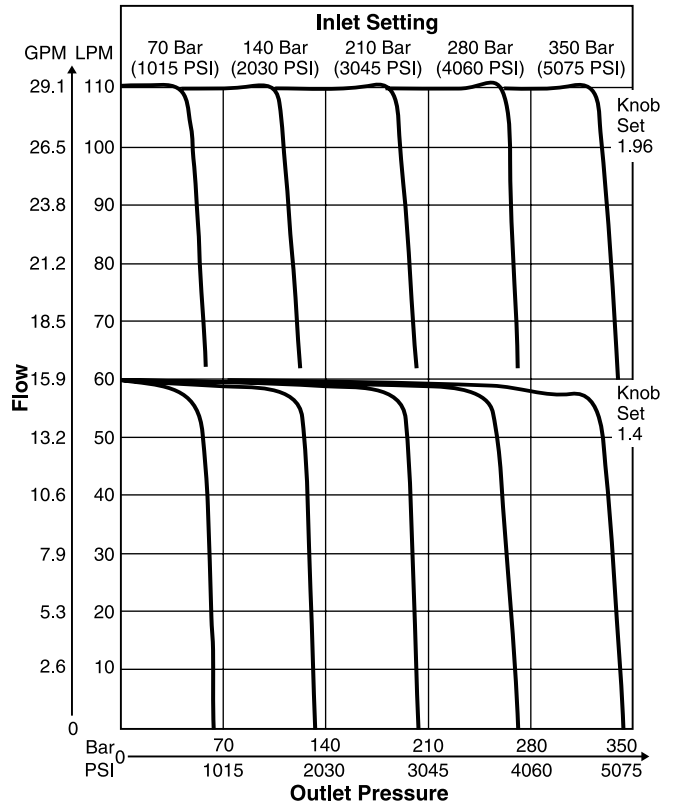
Constant Inlet Pressure – Variable Outlet Pressure



2F1C03

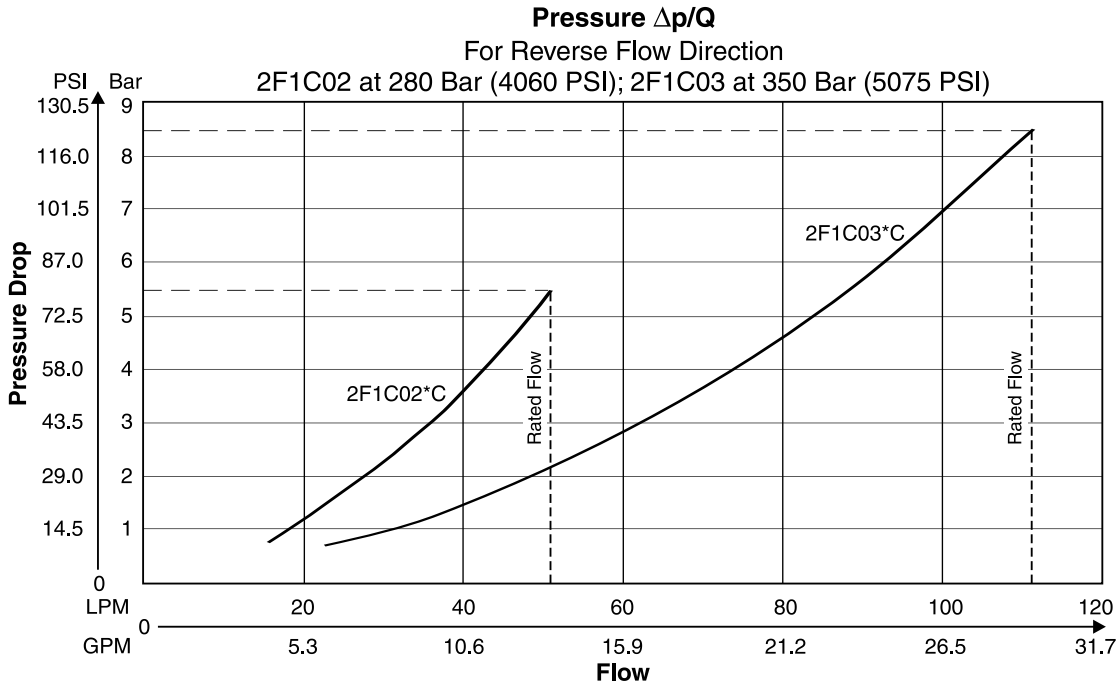
Flow / Pressure Drop

Constant Inlet Pressure – Variable Outlet Pressure



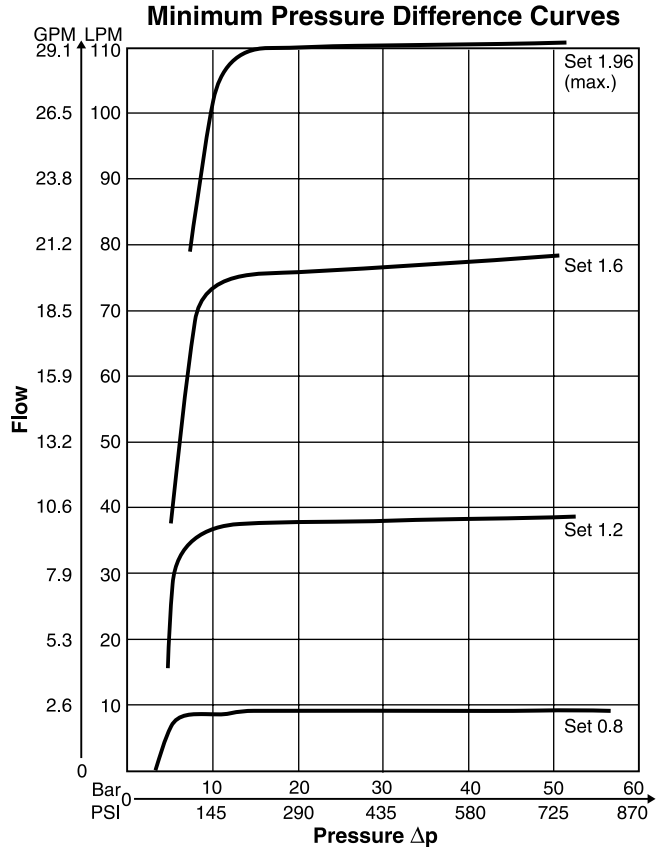
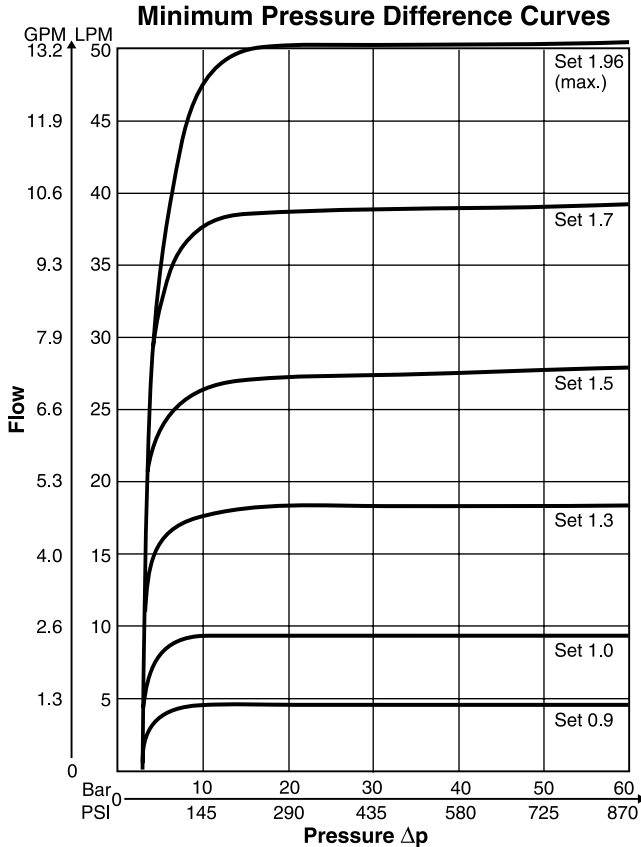
Fluid viscosity 40 cSt at 50°C (122°F)

2F1C.indd, dd



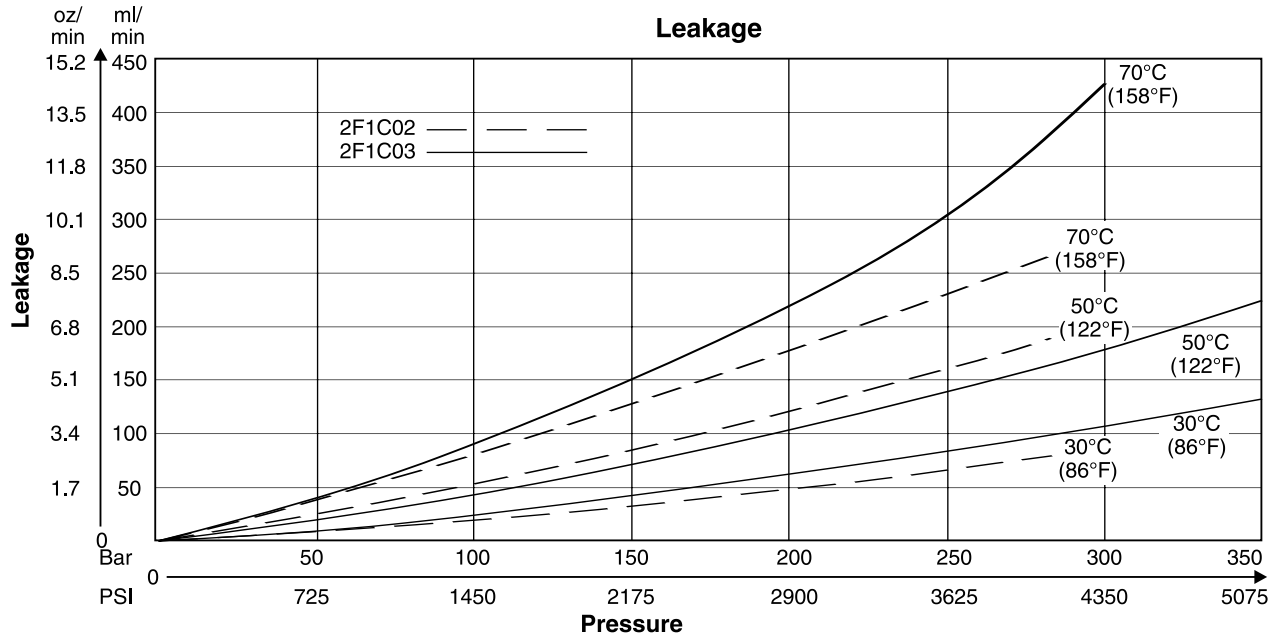
2F1C02

2F1C03



Fluid viscosity 40 cSt at 50°C (122°F)

2F1C.indd, dd

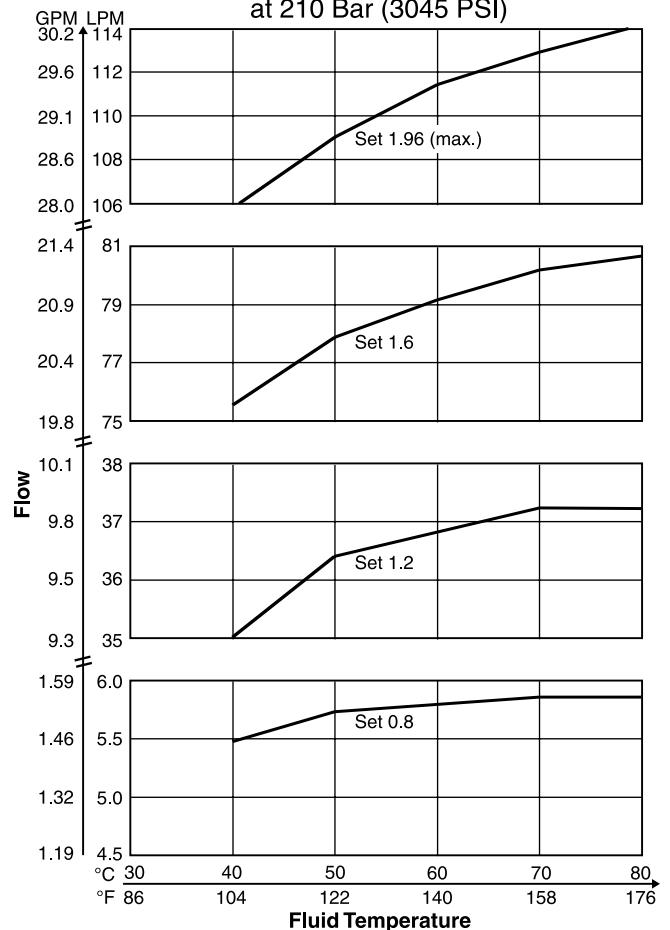
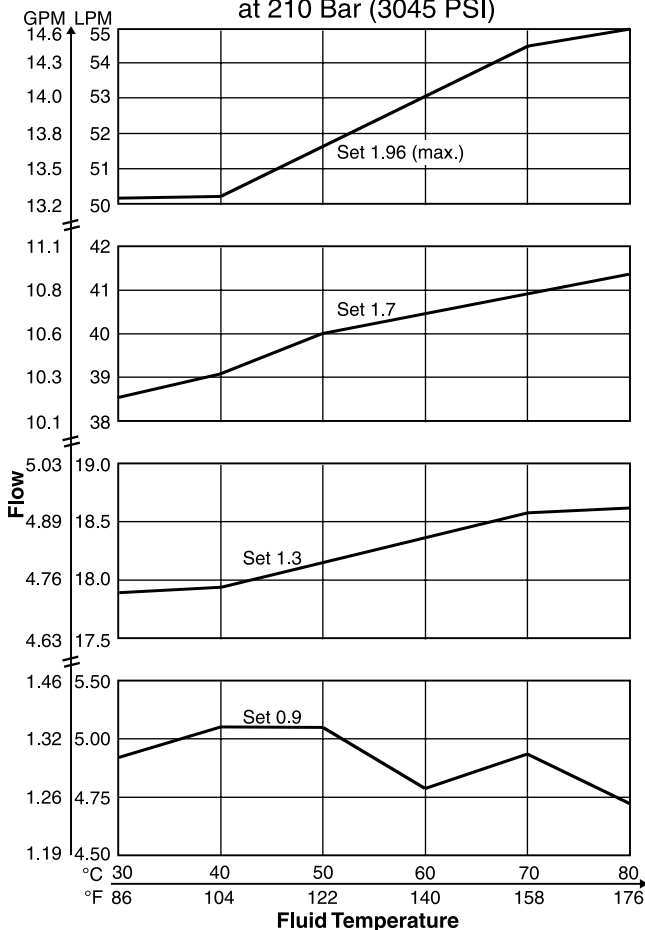


2F1C02

2F1C03

**Flow / Temperature Curves
 at 210 Bar (3045 PSI)**

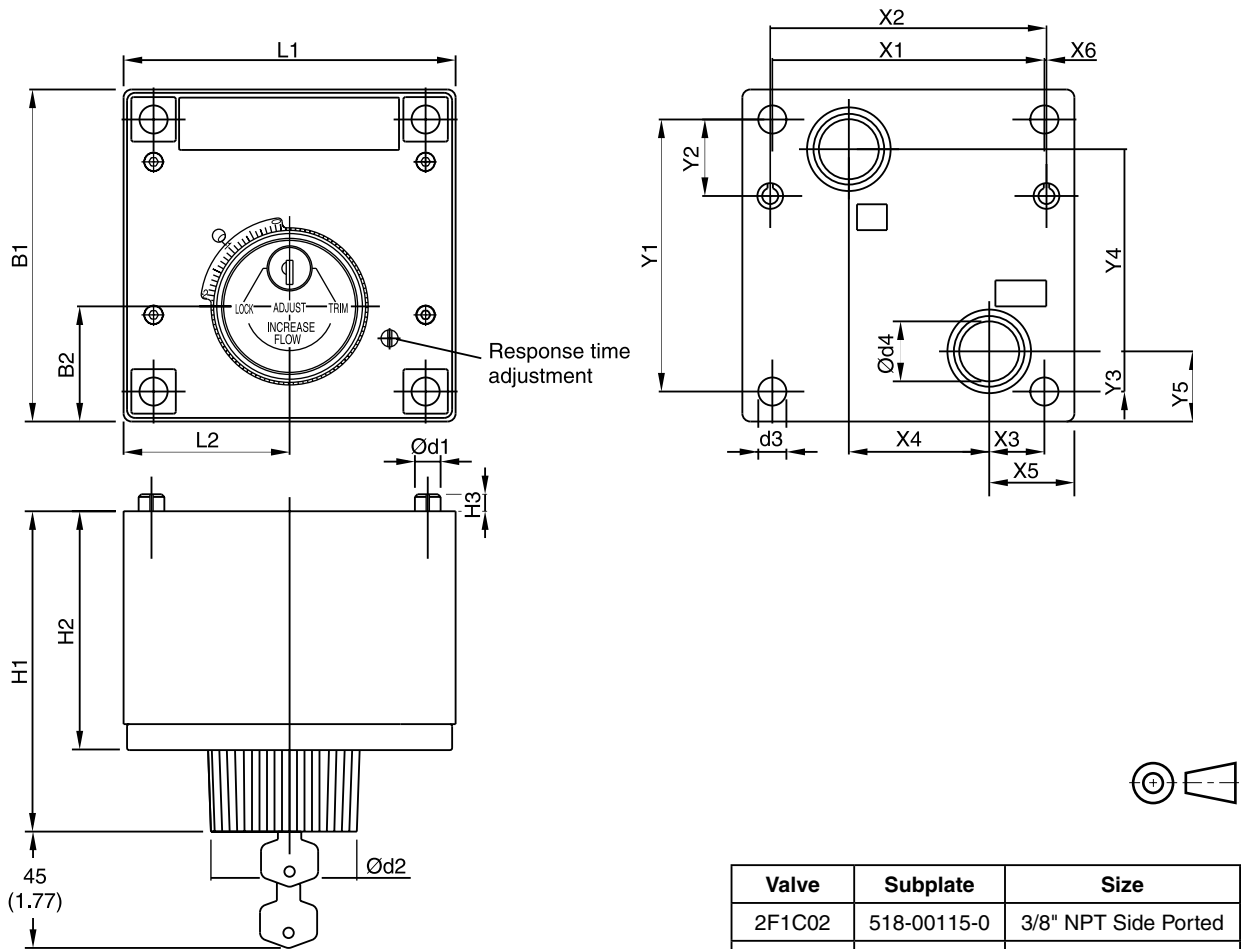
**Flow / Temperature Curves
 at 210 Bar (3045 PSI)**



Fluid viscosity 40 cSt at 50°C (122°F)

2F1C.indd, dd

Inch equivalents for millimeter dimensions are shown in (**)



Valve	Subplate	Size
2F1C02	518-00115-0	3/8" NPT Side Ported
2F1C03	518-00118-0	1/2" NPT Side Ported

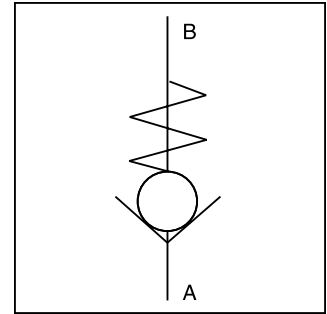
Size	ISO-code	x1	x2	x3	x4	x5	x6	y1	y2	y3	y4	y5
02	6263-AM-07-2-A	76.2 (3.00)	79.4 (3.13)	9.5 (0.37)	44.5 (1.75)	19.0 (0.75)	-	82.5 (3.25)	23.8 (0.94)	30.2 (1.19)	41.3 (1.63)	39.7 (1.56)
03	6263-AK-06-2-A	101.6 (4.00)	103.2 (4.06)	20.6 (0.81)	52.4 (2.06)	31.8 (1.25)	0.8 (0.03)	101.6 (4.00)	28.6 (1.13)	15.1 (0.59)	75.4 (2.97)	26.2 (1.03)

Size	ISO-code	B1	B2	H1	H2	H3	L1	L2	d1	d2	d3	d4
02	6263-AM-07-2-A	101.6 (4.00)	38.1 (1.50)	119.6 (4.71)	87.4 (3.44)	6.4 (0.25)	95.2 (3.75)	47.6 (1.87)	6.4 (0.25)	57.2 (2.25)	8.7 (0.34)	14.2 (0.56)
03	6263-AK-06-2-A	123.8 (4.87)	42.9 (1.69)	121.4 (4.78)	89.2 (3.51)	6.4 (0.25)	123.8 (4.87)	61.9 (2.44)	9.5 (0.37)	57.2 (2.25)	10.5 (0.41)	22.4 (0.88)

Size	ISO-Code	Bolt Kit DIN912 12.9		Seal Kit Fluorocarbon	Surface Finish
02	6263-AM-07-2-A	BK-700-70842-8 4xM8x100	31.8 Nm (23.5 lb.-ft.) ±15%	S26-98617-5	$\sqrt{R_{max}6.3}$
03	6263-AK-06-2-A	BK395 4xM10x100	63 Nm (46.5 lb.-ft.) ±15%		

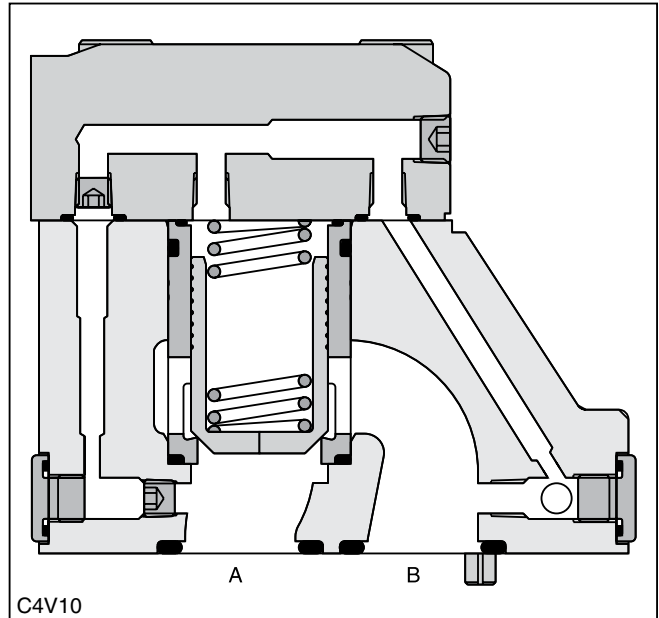
General Description

Series C4V direct operated check valves allow free flow from A to B. The counter direction is blocked. Series C4V valves are equipped with a leak-free seat type cartridge.



Operation

The pressure arising in port A lifts the poppet from the valve seat and releases the flow to B. In the counter direction, the spring and the pressure on top of the cartridge hold the poppet onto the seat and block the flow.



E

Features

- High flow, low pressure drop design.
- Minimal internal leakage.
- Six crack pressure options.

Ordering Information

C4V	□	—	5	3	0	□	B	□	□
Direct Operated Check Valve	Size		Maximum Pressure 350 Bar (5075 PSI)	Subplate Mounting		Approximate Cracking Pressure	Design Series	Seal	Options Check with Factory

Code	Description
03	NG10
06	NG25
10	NG32

Code	Description
1	Nitrile
5	Fluorocarbon

Weight:

C4V03	2.8 kg (6.2 lbs)
C4V06	4.6 kg (10.1 lbs.)
C4V10	6.1 kg (13.5 lbs.)

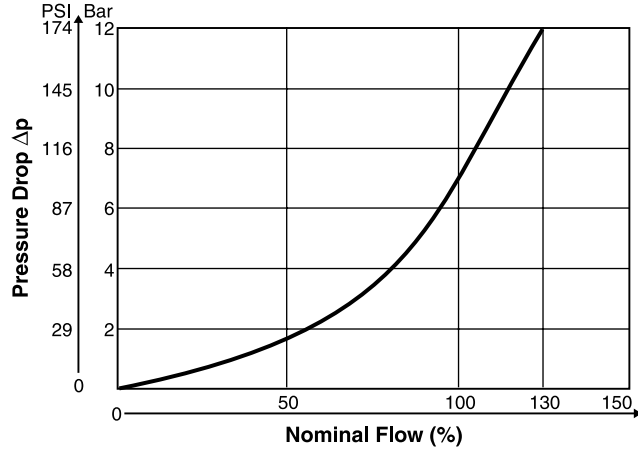
Code	Description	Description
	C4V03	C4V06 / C4V10
1	2.8 Bar (40.6 PSI)	3.5 Bar (50.8 PSI)
2	0.5 Bar (7.3 PSI)	0.5 Bar (7.3 PSI)
3	0.3 Bar (4.4 PSI)	0.3 Bar (4.4 PSI)
4	2.2 Bar (31.9 PSI)	2.2 Bar (31.9 PSI)
5	—	9.0 Bar (130.5 PSI)
6	1.2 Bar (17.4 PSI)	1.2 Bar (17.4 PSI)
7	3.0 Bar (43.5 PSI)	—

Specifications

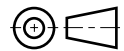
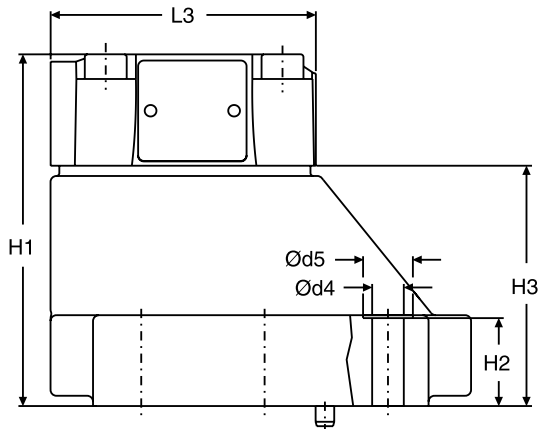
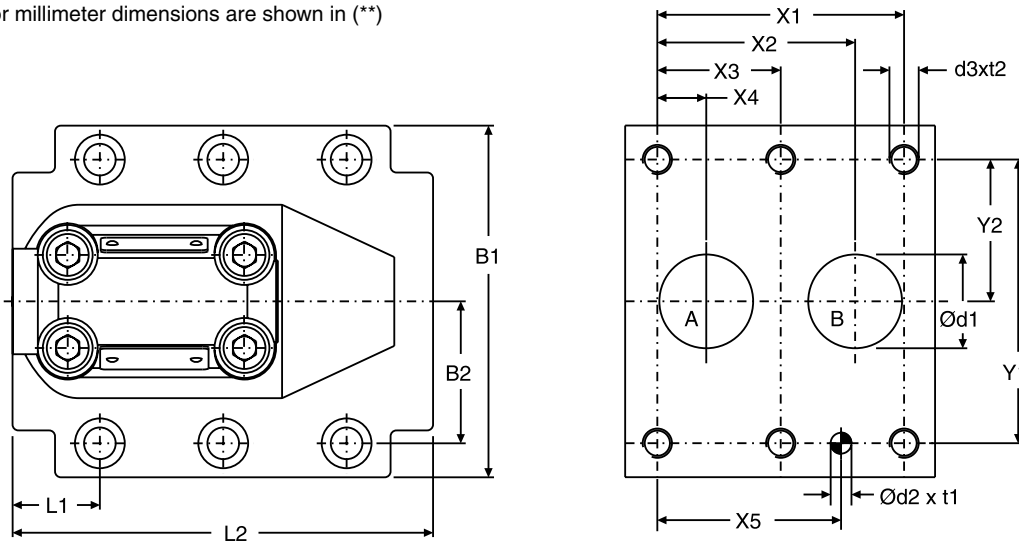
General				
Size		NG10	NG25	NG32
Subplate Mounting		ISO 5781		
Mounting Position		Unrestricted		
Ambient Temperature Range		-20°C to +80°C (-4°F to +176°F)		
Hydraulic				
Maximum Operating Pressure		350 Bar (5075 PSI)		
Pressure Range		105 Bar (1523 PSI), 210 Bar (3045 PSI), 350 Bar (5075 PSI)		
Nominal Flow		150 LPM (39.7 GPM)	270 LPM (71.4 GPM)	450 LPM (119.0 GPM)
Fluid		Hydraulic oil to DIN 51524		
Viscosity	Recommended Permitted	30 to 50 cSt / mm ² /s (139 to 232 SSU) 20 to 380 cSt / mm ² /s (93 to 1761 SSU)		
Fluid Temperature	Recommended Permitted	+30°C to +50°C (86°F to +122°F) -20°C to +70°C (-4°F to +158°F)		
Filtration		ISO Class 4406 (1999) 18/16/13 (meet NAS 1638:7)		

E

Performance Curve






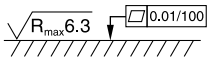
Inch equivalents for millimeter dimensions are shown in (**)



NG	ISO-code	x1	x2	x3	x4	x5	y1	y2	B1	B2	H1	H2	H3	L1	L2
10	5781-06-07-0-00	42.9 (1.69)	35.8 (1.41)	-	7.2 (0.28)	31.8 (1.25)	66.7 (2.63)	33.4 (1.31)	87.3 (3.44)	33.4 (1.31)	83.0 (3.27)	21.0 (0.83)	45.0 (1.77)	29.0 (1.14)	94.8 (3.73)
25	5781-08-10-0-00	60.3 (2.37)	49.2 (1.94)	-	11.1 (0.44)	44.5 (1.75)	79.4 (3.13)	39.7 (1.56)	105.0 (4.13)	39.7 (1.56)	109.5 (4.31)	29.0 (1.14)	71.5 (2.81)	34.7 (1.37)	126.8 (4.99)
32	5781-10-13-0-00	84.2 (3.31)	67.5 (2.66)	42.1 (1.66)	16.7 (0.66)	62.7 (2.47)	96.8 (3.81)	48.4 (1.91)	120.0 (4.72)	48.4 (1.91)	120.0 (4.72)	29.0 (1.14)	82.0 (3.23)	30.6 (1.20)	144.3 (5.68)

Tolerance for all dimensions ±0.2 mm (0.01 inches)

NG	ISO-code	d1max	d2	t1	d3	t2	d4	d5
10	5781-06-07-0-00	15.0 (0.59)	7.1 (0.28)	8.0 (0.31)	M10	16.0 (0.63)	10.8 (0.43)	17.0 (0.67)
25	5781-08-10-0-00	23.4 (0.92)	7.1 (0.28)	8.0 (0.31)	M10	18.0 (0.71)	10.8 (0.43)	17.0 (0.67)
32	5781-10-13-0-00	32.0 (1.26)	7.1 (0.28)	8.0 (0.31)	M10	20.0 (0.79)	10.8 (0.43)	17.0 (0.67)

NG	ISO-code	Bolt Kit			Seal  Kit		Surface finish
					Nitrile	Fluorocarbon	
10	5781-06-07-0-00	BK505	4xM10 x 35 DIN 912 12.9	68 Nm (50.2 lb-ft) ±15%	S16-39362-0	S16-39362-5	
25	5781-08-10-0-00	BK485	4xM10 x 45 DIN 912 12.9	68 Nm (50.2 lb-ft) ±15%	S16-39364-0	S16-39364-5	
32	5781-10-13-0-00	BK506	6xM10 x 45 DIN 912 12.9	68 Nm (50.2 lb-ft) ±15%	S16-39366-0	S16-39366-5	

C4V-DO.indd, dd

General Description

Series C4V hydraulically pilot operated check valves allow free flow from A to B. The counter-flow direction is blocked.

When pressure is applied to control port X, the ring chamber flow from B to A is released.

Up to four different pilot control ratios are available (see Ordering Information).

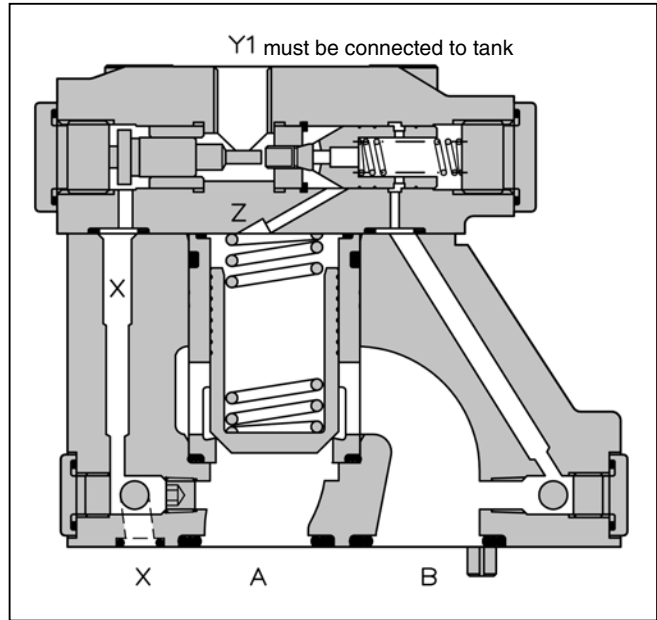
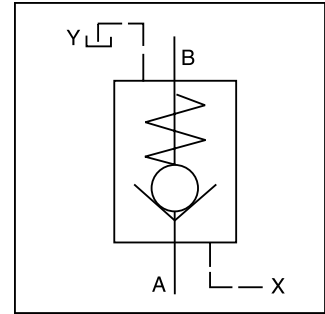
Check valves allow free flow from A to B. The counter direction is blocked. The C4V series are equipped with a leak-free seat type cartridge.

Operation

When no pressure is applied to the X-port, the flow from B to A is blocked, because the pressure in B is also in effect on top of the poppet.

Pressurizing the X port relieves the area on top of the poppet to the drain port and allows flow from B to A.

The seat design of the C4V valve series provides leak-free separation of port A and B in the closed position.



E

Features

- High flow, low pressure drop design.
- Minimal internal leakage.

Ordering Information

C4V	□	—	5	9	□	□	B	□	□																								
Pilot Operated Check Valve	Size		Maximum Pressure 350 Bar (5075 PSI)	Y1 Port G1/4"	Opening Ratio	Approximate Cracking Pressure	Design Series	Seal	Options Check with Factory																								
<table border="1" style="width: 100%; border-collapse: collapse;"> <thead> <tr> <th style="text-align: left;">Code</th> <th style="text-align: left;">Description</th> </tr> </thead> <tbody> <tr> <td>03</td> <td>NG10</td> </tr> <tr> <td>06</td> <td>NG25</td> </tr> <tr> <td>10</td> <td>NG32</td> </tr> </tbody> </table>		Code	Description	03	NG10	06	NG25	10	NG32				<table border="1" style="width: 100%; border-collapse: collapse;"> <thead> <tr> <th style="text-align: left;">Code</th> <th style="text-align: left;">Description</th> </tr> </thead> <tbody> <tr> <td>1</td> <td>1:1</td> </tr> <tr> <td>3</td> <td>3:1</td> </tr> <tr> <td>8</td> <td>8:1</td> </tr> <tr> <td>9</td> <td>10:1</td> </tr> </tbody> </table>		Code	Description	1	1:1	3	3:1	8	8:1	9	10:1	<table border="1" style="width: 100%; border-collapse: collapse;"> <thead> <tr> <th style="text-align: left;">Code</th> <th style="text-align: left;">Description</th> </tr> </thead> <tbody> <tr> <td>1</td> <td>Nitrile</td> </tr> <tr> <td>5</td> <td>Fluorocarbon</td> </tr> </tbody> </table>			Code	Description	1	Nitrile	5	Fluorocarbon
Code	Description																																
03	NG10																																
06	NG25																																
10	NG32																																
Code	Description																																
1	1:1																																
3	3:1																																
8	8:1																																
9	10:1																																
Code	Description																																
1	Nitrile																																
5	Fluorocarbon																																

Weight:

C4V03	2.8 kg (6.2 lbs)
C4V06	4.6 kg (10.1 lbs.)
C4V10	6.1 kg (13.5 lbs.)

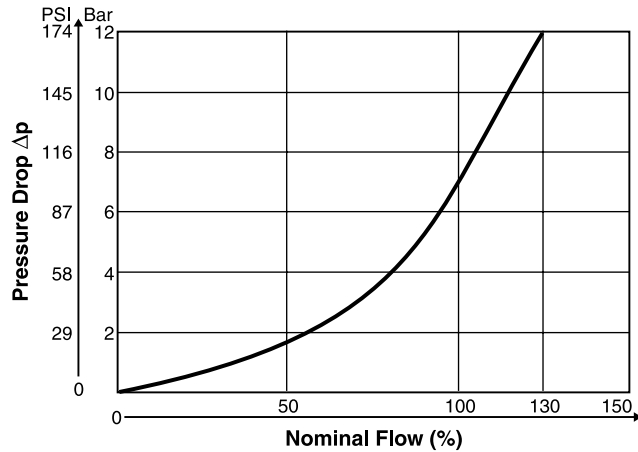
Code	Description	Flow A to B	Flow A to B
		C4V03	C4V06 / C4V10
2	1.0 Bar (14.5 PSI)	1.0 Bar (14.5 PSI)	1.0 Bar (14.5 PSI)
4	4.0 Bar (58.0 PSI)	3.5 Bar (50.8 PSI)	3.5 Bar (50.8 PSI)
6	2.0 Bar (29.0 PSI)	2.2 Bar (31.9 PSI)	2.2 Bar (31.9 PSI)
		Flow B to A	Flow B to A
		C4V03	C4V06 / C4V10
2	1.5 Bar (21.8 PSI)	1.7 Bar (24.7 PSI)	1.7 Bar (24.7 PSI)
4	5.5 Bar (79.8 PSI)	6.0 Bar (87.0 PSI)	6.0 Bar (87.0 PSI)
6	3.0 Bar (43.5 PSI)	3.8 Bar (55.1 PSI)	3.8 Bar (55.1 PSI)

Specifications

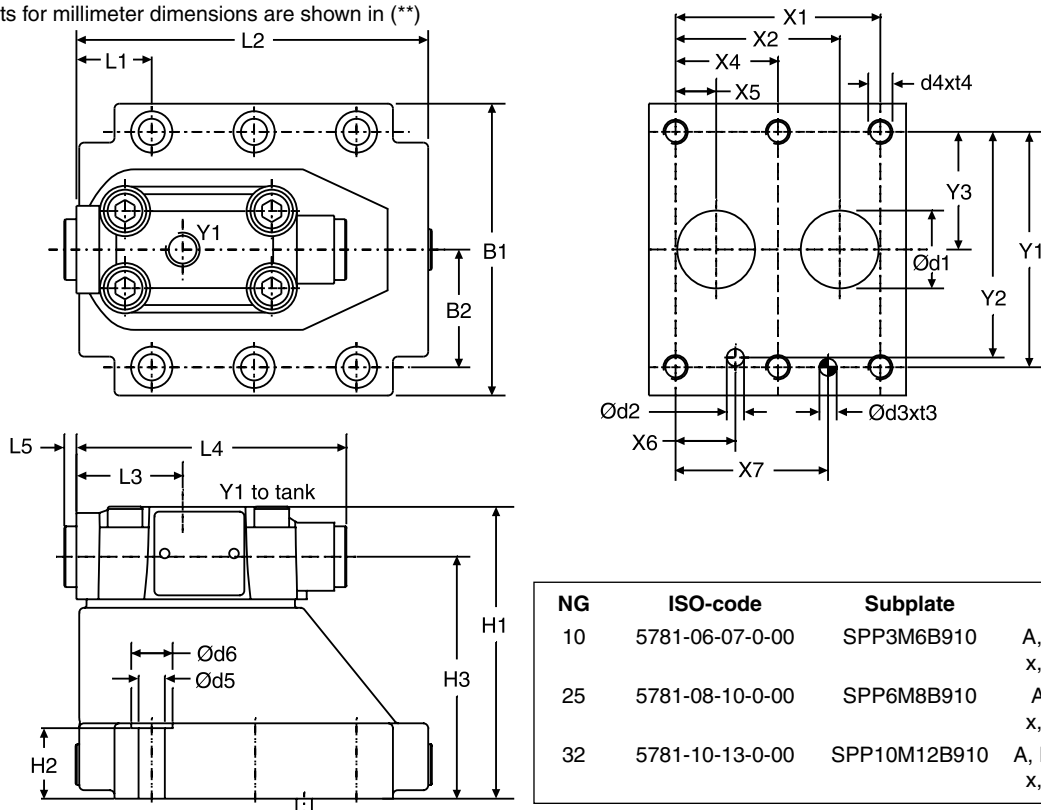
General				
Size		NG10	NG25	NG32
Subplate Mounting	ISO 5781			
Mounting Position	Unrestricted			
Ambient Temperature Range	-20°C to +80°C (-4°F to +176°F)			
Hydraulic				
Maximum Operating Pressure	350 Bar (5075 PSI)			
Nominal Flow	150 LPM (39.7 GPM)	270 LPM (71.4 GPM)	450 LPM (119.0 GPM)	
Fluid	Hydraulic oil to DIN 51524			
Viscosity	Recommended Permitted	30 to 50 cSt / mm ² /s (139 to 232 SSU) 20 to 380 cSt / mm ² /s (93 to 1761 SSU)		
Fluid Temperature	Recommended Permitted	+30°C to +50°C (86°F to +122°F) -20°C to +70°C (-4°F to +158°F)		
Filtration	ISO Class 4406 (1999) 18/16/13 (meet NAS 1638:7)			

E

Performance Curve



Inch equivalents for millimeter dimensions are shown in (**)



NG	ISO-code	x1	x2	x3	x4	x5	x6	x7	y1	y2	y3	y4	y5	y6
10	5781-06-07-0-00	42.9 (1.69)	35.8 (1.41)	-	-	7.2 (0.28)	21.5 (0.85)	31.8 (1.25)	66.7 (2.63)	58.8 (2.31)	33.4 (1.31)	-	-	-
25	5781-08-10-0-00	60.3 (2.37)	49.2 (1.94)	-	-	11.1 (0.44)	20.6 (0.81)	44.5 (1.75)	79.4 (3.13)	73.0 (2.87)	39.7 (1.56)	-	-	-
32	5781-10-13-0-00	84.2 (3.31)	67.5 (2.66)	-	42.1 (1.66)	16.7 (0.66)	24.6 (0.97)	62.7 (2.47)	96.8 (3.81)	92.8 (3.65)	48.4 (1.91)	-	-	-

Tolerance for all dimensions ±0.2 mm (0.01 inches)

NG	ISO-code	B1	B2	H1	H2	H3	H4	H5	H6	L1	L2	L3	L4	L5	L6
10	5781-06-07-0-00	87.3 (3.44)	33.4 (1.31)	83.0 (3.27)	21.0 (0.83)	62.5 (2.46)	-	-	-	29.4 (1.16)	95.2 (3.75)	43.7 (1.72)	111.0 (4.37)	5.0 (0.20)	-
25	5781-08-10-0-00	105 (4.13)	39.7 (1.56)	109.5 (4.31)	29.0 (1.14)	89.0 (3.50)	-	-	-	35.1 (1.38)	127.2 (5.01)	43.7 (1.72)	111.0 (4.37)	5.0 (0.20)	-
32	5781-10-13-0-00	120 (4.72)	48.4 (1.91)	120.0 (4.72)	29.0 (1.14)	99.5 (3.92)	-	-	-	31.0 (1.22)	144.7 (5.70)	43.7 (1.72)	111.0 (4.37)	5.0 (0.20)	-

NG	ISO-code	d1max	d2max	d3	t3	d4	t4	d5	d6
10	5781-06-07-0-00	15.0 (0.59)	7.0 (0.28)	7.1 (0.28)	8.0 (0.31)	M10	16.0 (0.63)	10.8 (0.43)	17.0 (0.67)
25	5781-08-10-0-00	23.4 (0.92)	7.1 (0.28)	7.1 (0.28)	8.0 (0.31)	M10	18.0 (0.71)	10.8 (0.43)	17.0 (0.67)
32	5781-10-13-0-00	32.0 (1.26)	7.1 (0.28)	7.1 (0.28)	8.0 (0.31)	M10	20.0 (0.79)	10.8 (0.43)	17.0 (0.67)

NG	ISO-code	Bolt Kit			Seal Kit		Surface finish
					Nitrile	Fluorocarbon	
10	5781-06-07-0-00	BK505	4xM10 x 35 DIN 912 12.9	68 Nm (50.2 lb-ft) ±15%	S16-39362-0	S16-39362-5	
25	5781-08-10-0-00	BK485	4xM10 x 45 DIN 912 12.9	68 Nm (50.2 lb-ft) ±15%	S16-39364-0	S16-39364-5	
32	5781-10-13-0-00	BK506	6xM10 x 45 DIN 912 12.9	68 Nm (50.2 lb-ft) ±15%	S16-39366-0	SS16-39366-5	

C4V-PO.indd, dd

General Description

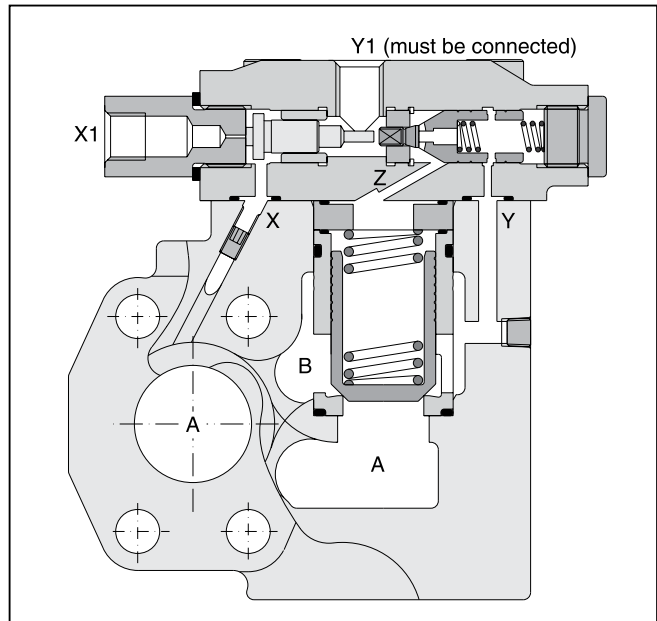
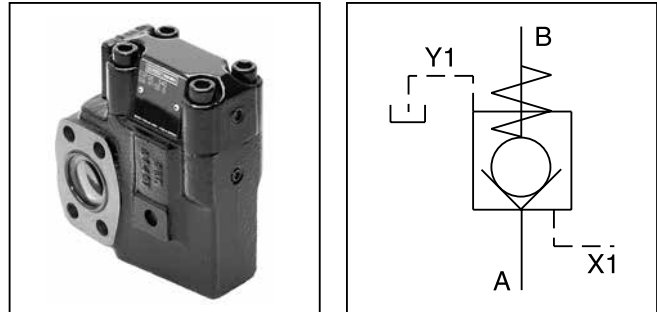
Series C5P pilot operated check valves have a similar design to the subplate mounted C5V series. The SAE flanges allow to mount directly on the flanges of actuators to achieve a very compact design.

Operation

When no pressure is applied to the X-port, the flow from B to A is blocked, because the pressure in B is also in effect on top of the poppet.

Pressurizing the X port relieves the area on top of the poppet to the drain port and allows flow from B to A.

The seat design of the C5P valve series provides leak-free separation of port A and B in the closed position.



Features

- Pilot operated check valve.
- 2-port body with SAE 61 flange.
- 3 sizes (SAE 3/4", 1", 1 1/4").
- 4 opening ratios.
- Valves with position control are available on request.

Ordering Information

<div style="border: 1px solid black; padding: 2px; width: 40px; margin: 0 auto;">C5P</div> <p>Pilot Operated Check Valve</p>	<div style="border: 1px solid black; width: 20px; height: 20px; margin: 0 auto;"></div> <p>Size</p>	<div style="border: 1px solid black; width: 20px; height: 20px; margin: 0 auto;"></div> <p>SAE 61 Interface</p>	<div style="border: 1px solid black; padding: 2px; width: 40px; margin: 0 auto;">2</div> <p>Pilot Ports</p>	<div style="border: 1px solid black; width: 20px; height: 20px; margin: 0 auto;"></div> <p>Opening Ratio</p>	<div style="border: 1px solid black; width: 20px; height: 20px; margin: 0 auto;"></div> <p>Cracking Pressure</p>	<div style="border: 1px solid black; padding: 2px; width: 40px; margin: 0 auto;">A</div> <p>Design Series</p>	<div style="border: 1px solid black; width: 20px; height: 20px; margin: 0 auto;"></div> <p>Seal</p>	<div style="border: 1px solid black; width: 20px; height: 20px; margin: 0 auto;"></div> <p>Options Check with Factory</p>																									
<table border="0" style="width: 100%;"> <tr> <th style="text-align: left;">Code</th> <th style="text-align: left;">Description</th> </tr> <tr> <td>06</td> <td>SAE 3/4"</td> </tr> <tr> <td>08</td> <td>SAE 1"</td> </tr> <tr> <td>10</td> <td>SAE 1 1/4"</td> </tr> </table>		Code	Description	06	SAE 3/4"	08	SAE 1"	10	SAE 1 1/4"	<p style="text-align: center;">X1 and Y1 = SAE 4</p>		<table border="0" style="width: 100%;"> <tr> <th style="text-align: left;">Code</th> <th style="text-align: left;">Description</th> </tr> <tr> <td>1</td> <td>Pilot Operated 1:1 Ratio</td> </tr> <tr> <td>3</td> <td>Pilot Operated 3:1 Ratio</td> </tr> <tr> <td>8</td> <td>Pilot Operated 8:1 Ratio</td> </tr> <tr> <td>9</td> <td>Pilot Operated 10:1 Ratio</td> </tr> </table>		Code	Description	1	Pilot Operated 1:1 Ratio	3	Pilot Operated 3:1 Ratio	8	Pilot Operated 8:1 Ratio	9	Pilot Operated 10:1 Ratio	<table border="0" style="width: 100%;"> <tr> <th style="text-align: left;">Code</th> <th style="text-align: left;">Description</th> </tr> <tr> <td>1</td> <td>Nitrile</td> </tr> <tr> <td>5</td> <td>Fluorocarbon</td> </tr> </table>		Code	Description	1	Nitrile	5	Fluorocarbon		
Code	Description																																
06	SAE 3/4"																																
08	SAE 1"																																
10	SAE 1 1/4"																																
Code	Description																																
1	Pilot Operated 1:1 Ratio																																
3	Pilot Operated 3:1 Ratio																																
8	Pilot Operated 8:1 Ratio																																
9	Pilot Operated 10:1 Ratio																																
Code	Description																																
1	Nitrile																																
5	Fluorocarbon																																
<table border="0" style="width: 100%; border-collapse: collapse;"> <thead> <tr> <th style="text-align: left;">Code</th> <th style="text-align: left;">Size</th> <th style="text-align: left;">Flow A-B</th> <th style="text-align: left;">Flow B-A</th> </tr> </thead> <tbody> <tr> <td rowspan="2">2</td> <td>06</td> <td>1.0 Bar (14.5 PSI)</td> <td>1.5 Bar (21.8 PSI)</td> </tr> <tr> <td>08/10</td> <td>1.0 Bar (14.5 PSI)</td> <td>1.7 Bar (24.7 PSI)</td> </tr> <tr> <td rowspan="2">4</td> <td>06</td> <td>4.0 Bar (58.0 PSI)</td> <td>5.5 Bar (79.8 PSI)</td> </tr> <tr> <td>08/10</td> <td>3.5 Bar (50.8 PSI)</td> <td>6.0 Bar (87.0 PSI)</td> </tr> <tr> <td rowspan="2">6</td> <td>06</td> <td>2.0 Bar (29.0 PSI)</td> <td>3.0 Bar (43.5 PSI)</td> </tr> <tr> <td>08/10</td> <td>2.2 Bar (31.9 PSI)</td> <td>3.8 Bar (55.1 PSI)</td> </tr> </tbody> </table>									Code	Size	Flow A-B	Flow B-A	2	06	1.0 Bar (14.5 PSI)	1.5 Bar (21.8 PSI)	08/10	1.0 Bar (14.5 PSI)	1.7 Bar (24.7 PSI)	4	06	4.0 Bar (58.0 PSI)	5.5 Bar (79.8 PSI)	08/10	3.5 Bar (50.8 PSI)	6.0 Bar (87.0 PSI)	6	06	2.0 Bar (29.0 PSI)	3.0 Bar (43.5 PSI)	08/10	2.2 Bar (31.9 PSI)	3.8 Bar (55.1 PSI)
Code	Size	Flow A-B	Flow B-A																														
2	06	1.0 Bar (14.5 PSI)	1.5 Bar (21.8 PSI)																														
	08/10	1.0 Bar (14.5 PSI)	1.7 Bar (24.7 PSI)																														
4	06	4.0 Bar (58.0 PSI)	5.5 Bar (79.8 PSI)																														
	08/10	3.5 Bar (50.8 PSI)	6.0 Bar (87.0 PSI)																														
6	06	2.0 Bar (29.0 PSI)	3.0 Bar (43.5 PSI)																														
	08/10	2.2 Bar (31.9 PSI)	3.8 Bar (55.1 PSI)																														

Weight:

- C5P06 3.9 kg (8.6 lbs.)
- C5P08 4.4 kg (9.7 lbs.)
- C5P10 5.7 kg (12.6 lbs.)

C5P.indd, dd



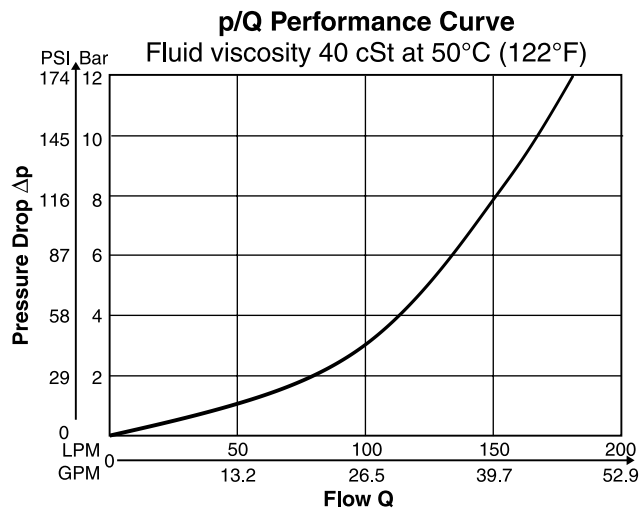
Specifications

General				
Size		06 (3/4")	08 (1")	10 (1 1/4")
Mounting	2-port in-line flange SAE 61			
Mounting Position	Unrestricted			
Ambient Temperature	-20°C to +50°C (-4°F to +122°F)			
Hydraulic				
Maximum Operating Pressure	Ports A, B Port Y1	350 Bar (5075 PSI) 30 Bar (435 PSI)	350 Bar (5075 PSI) 30 Bar (435 PSI)	280 Bar (4060 PSI) 30 Bar (435 PSI)
Nominal Flow		180 LPM (47.6 GPM)	360 LPM (95.2 GPM)	600 LPM (158.7 GPM)
Fluid	Hydraulic oil in accordance with DIN 51524...51525			
Fluid Temperature	-20°C to +80°C (-4°F to +176°F)			
Viscosity	Permitted Recommended	10 to 650 cSt / mm ² /s (46 to 3013 SSU) 30 cSt / mm ² /s (139 SSU)		
Filtration	ISO 4406 (1999) 18/16/13 (acc. NAS 1638:7)			

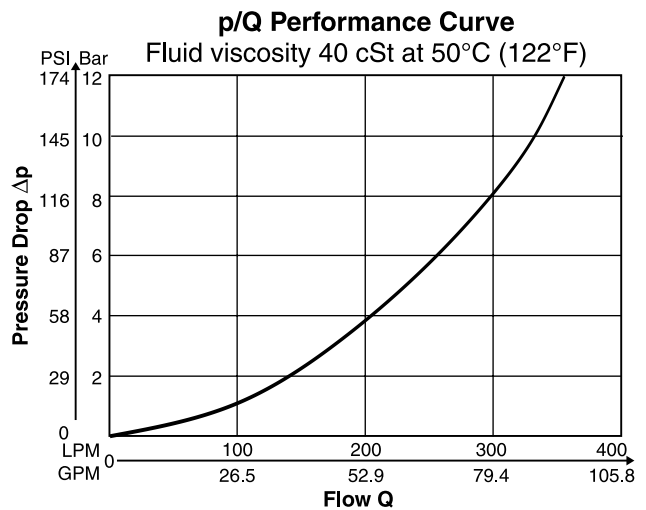
Performance Curves



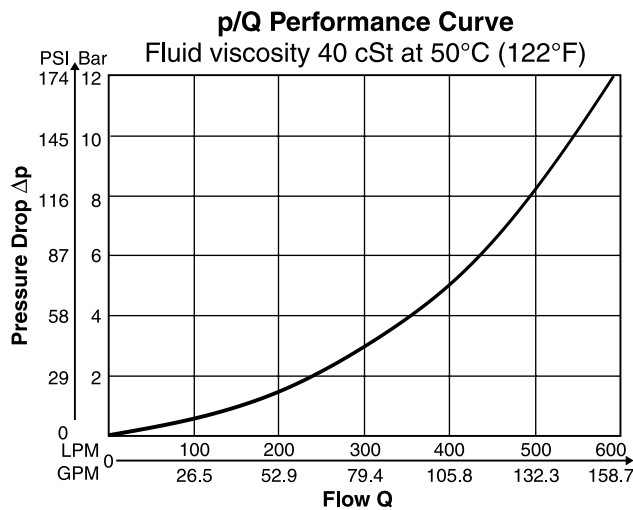
C5P06



C5P08

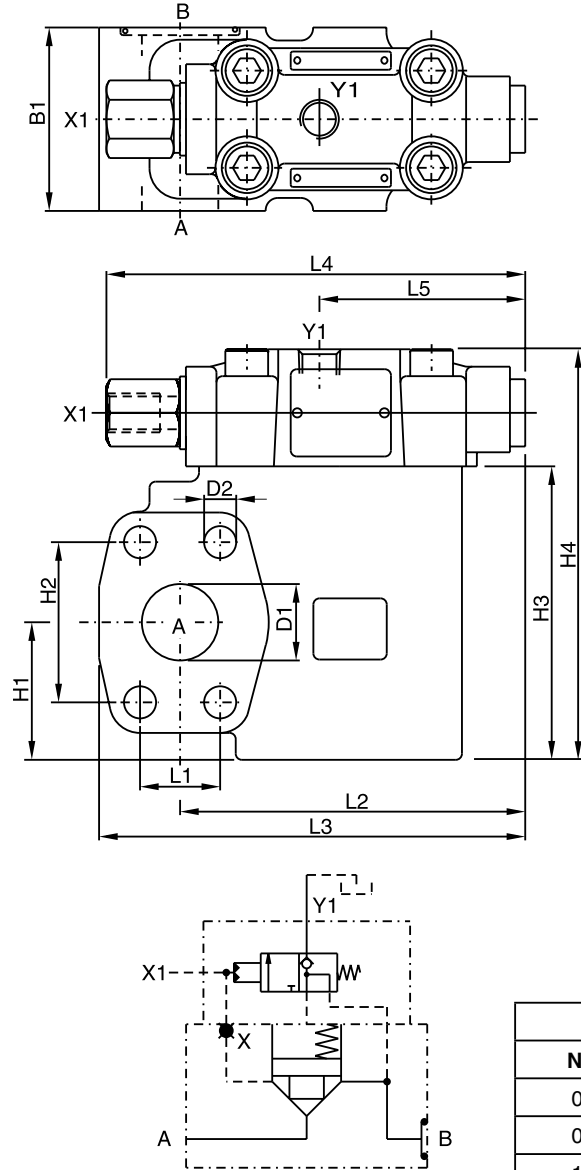


C5P10



C5P.indd, dd

Inch equivalents for millimeter dimensions are shown in (**)



Seal Kits		
NG	Nitrile	Fluorocarbon
06	S26-59404-0	S26-59404-5
08	S26-59405-0	S26-59405-5
10	S26-59406-0	S26-59406-5

Dimensions

Series	L1	L2	L3	L4	L5	B1	H1	H2	H3	H4	D1	D2
C5P06	22.2 (0.87)	95.8 (3.77)	119.8 (4.72)	137.0 (5.39)	67.3 (2.65)	60.0 (2.36)	37.0 (1.46)	47.6 (1.87)	90.0 (3.54)	128.0 (5.04)	19.0 (0.75)	10.5 (0.41)
C5P08	26.2 (1.03)	112.9 (4.44)	139.4 (5.49)	137.0 (5.39)	67.3 (2.65)	60.0 (2.36)	45.0 (1.77)	52.4 (2.06)	96.0 (3.78)	134.0 (5.28)	25.0 (0.93)	10.5 (0.41)
C5P10	30.2 (1.19)	112.9 (4.44)	146.9 (5.78)	137.0 (5.39)	67.3 (2.65)	75.0 (2.95)	48.0 (1.39)	58.7 (2.31)	109.0 (4.29)	147.0 (5.79)	32.0 (1.26)	12.5 (0.49)

Ports

Port	Function	Port Size		
		C5P06	C5P08	C5P10
A	Inlet or Outlet	3/4" SAE 61	1" SAE 61	1 1/4" SAE 61
B	Outlet or Inlet	3/4" SAE 61	1" SAE 61	1 1/4" SAE 61
X1	External Pilot Port	SAE 4		
Y1	External Pilot Drain	SAE 4		

C5Pindd, dd



General Description

Series C5V direct operated check valves provide free flow in one direction and block the flow in the counter direction.

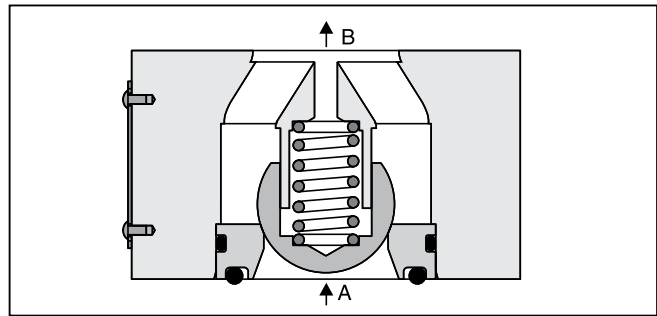
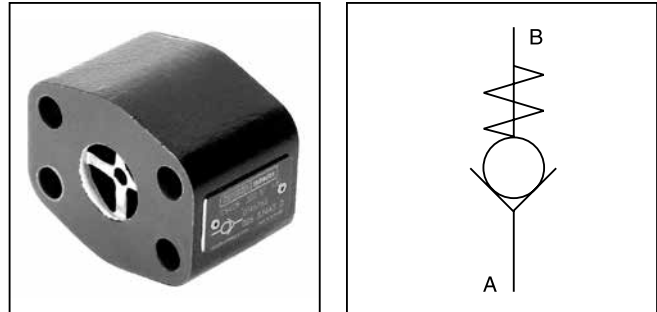
The SAE flanges allow to mount the C5V directly on the pressure port of pumps for protection against pressure shocks from the system.

Operation

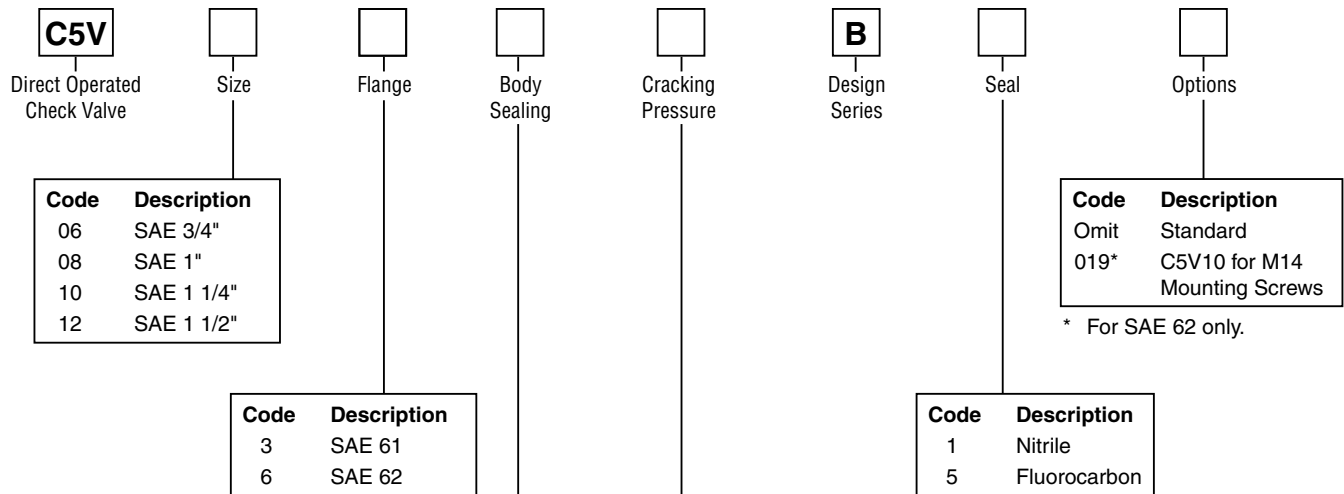
The ball is held on its seat by a spring under zero pressure condition. When flow is increased to the cracking pressure, free flow is allowed from port A to port B. Blocked flow is created when operating pressure and spring on Port B exceed pressure on port A.

Features

- Direct operated check valve.
- SAE 61 and SAE 62 flanges.
- 4 sizes (SAE 3/4", 1", 1 1/4", 1 1/2").
- 3 springs.
- 2 different seal configurations.



Ordering Information



* For combination with R5U Unloading Valve (SAE 61 only).

Weight:

C5V06	0.6 kg (1.3 lbs.)
C5V08	0.9 kg (2.0 lbs.)
C5V10	1.3 kg (2.9 lbs.)
C5V12	1.8 kg (4.0 lbs.)

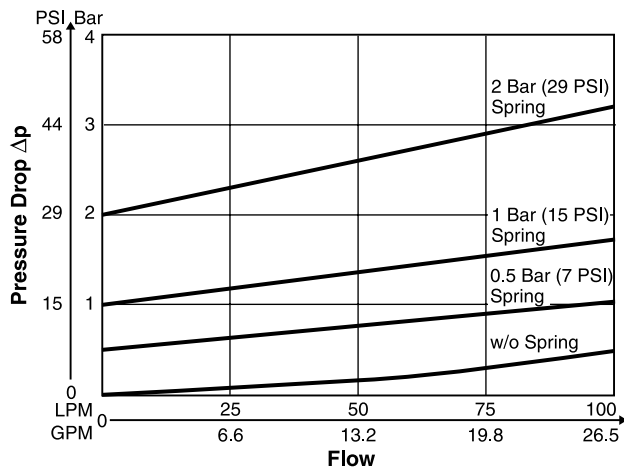
Specifications

General				
Size	06 (3/4")	08 (1")	10 (1 1/4")	12 (1 1/2")
Mounting	2-port in-line flange SAE 61 and SAE 62			
Mounting Position	Unrestricted			
Ambient Temperature	-20°C to +50°C (-4°F to +122°F)			
Hydraulic				
Maximum Operating Pressure				
SAE 61	350 Bar (5075 PSI)	350 Bar (5075 PSI)	280 Bar (4060 PSI)	210 Bar (3045 PSI)
SAE 62	420 Bar (6090 PSI)	420 Bar (6090 PSI)	420 Bar (6090 PSI)	420 Bar (6090 PSI)
Nominal Flow	100 LPM (26.5 GPM)	200 LPM (52.9 GPM)	400 LPM (105.8 GPM)	750 LPM (198.4 GPM)
Fluid	Hydraulic oil in accordance with DIN 51524...51525			
Fluid Temperature	-20°C to +80°C (-4°F to +176°F)			
Viscosity	Permitted 10 to 650 cSt / mm ² /s (46 to 3013 SSU)			
	Recommended 30 cSt / mm ² /s (139 SSU)			
Filtration	ISO 4406 (1999) 18/16/13 (acc. NAS 1638:7)			

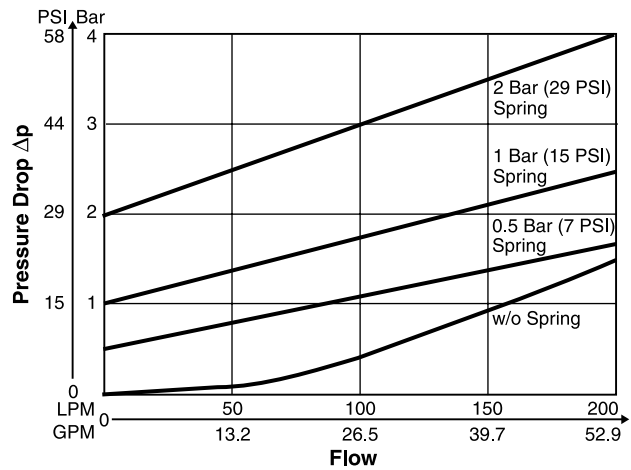


Performance Curves

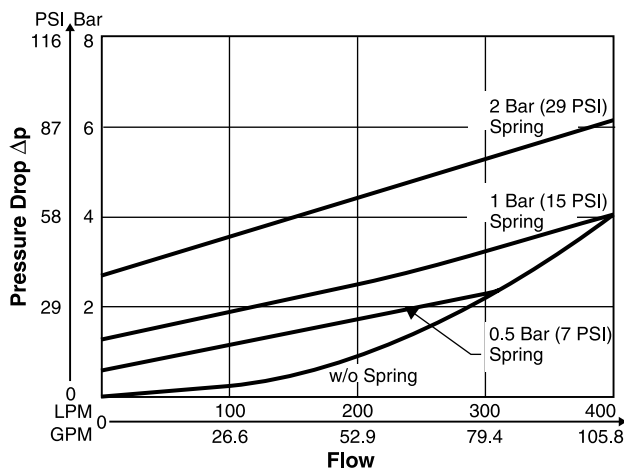
C5V06



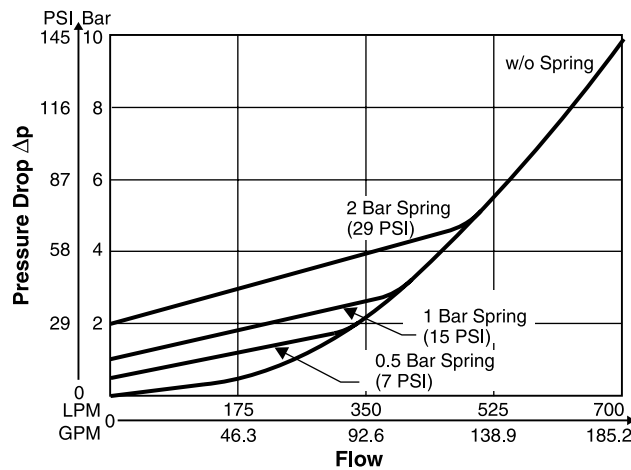
C5V08



C5V10



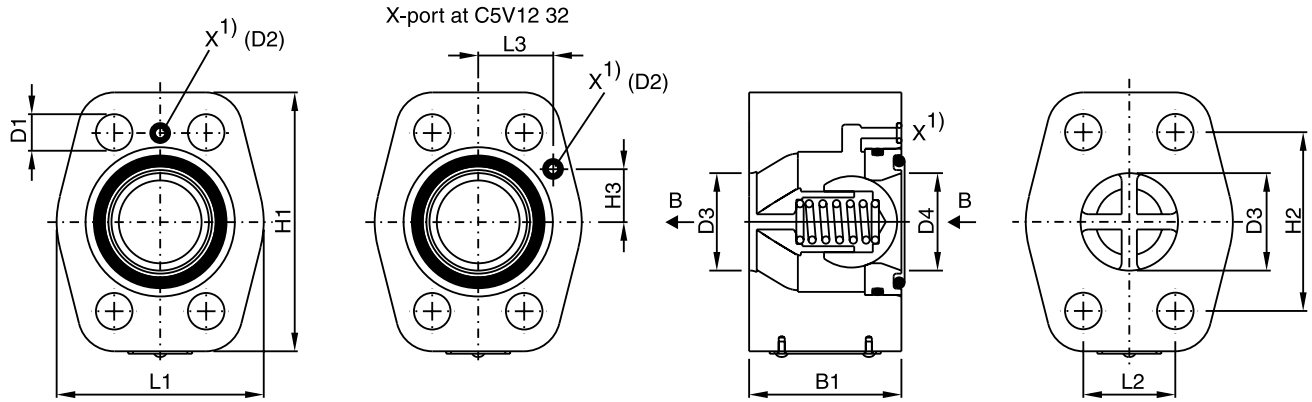
C5V12



C5V.indd, dd



Inch equivalents for millimeter dimensions are shown in (**)



Position of O-ring seal according to ordering information

¹⁾ X1 port for C5V*32* (for use with Unloading Valve R5U)

Series	Nominal Size		L1	L2	L3	H1	H2	H3	B1	D1	D2	D3 + 0.8	D4
C5V06	3/4"	SAE 61	48.0 (1.89)	22.2 (0.87)	27.2 (1.07)	64.0 (2.52)	47.6 (1.87)	22.4 (0.88)	45.0 (1.77)	10.5 (0.41)	Ø3.0 (0.12)	19.0 (0.75)	19.0 (0.75)
		SAE 62	48.0 (1.89)	23.8 (0.94)	27.2 (1.07)	64.0 (2.52)	50.8 (2.00)	22.4 (0.88)	45.0 (1.77)	10.5 (0.41)	-	19.0 (0.75)	19.0 (0.75)
C5V08	1"	SAE 61	60.0 (2.36)	26.2 (1.03)	27.2 (1.07)	74.0 (2.91)	52.4 (2.06)	22.4 (0.88)	45.0 (1.77)	10.5 (0.41)	Ø3.0 (0.12)	25.0 (0.98)	25.0 (0.98)
		SAE 62	60.0 (2.36)	27.8 (1.09)	27.2 (1.07)	74.0 (2.91)	57.2 (2.25)	22.4 (0.88)	45.0 (1.77)	12.5 (0.49)	-	25.0 (0.98)	25.0 (0.98)
C5V10	1 1/4"	SAE 61	68.0 (2.68)	30.2 (1.19)	27.2 (1.07)	85.0 (3.35)	58.7 (2.31)	22.4 (0.88)	50.0 (1.97)	12.5 (0.49)	Ø3.0 (0.12)	32.0 (1.26)	32.0 (1.26)
		SAE 62	68.0 (2.68)	31.8 (1.25)	27.2 (1.07)	85.0 (3.35)	66.7 (2.63)	22.4 (0.88)	50.0 (1.97)	13.5* (0.53)	-	32.0 (1.26)	32.0 (1.26)
C5V12	1 1/2"	SAE 61	80.0 (3.15)	35.7 (1.41)	27.2 (1.07)	104.0 (4.09)	69.8 (2.75)	22.4 (0.88)	50.0 (1.97)	13.5 (0.53)	Ø3.0 (0.12)	42.0 (1.65)	38.0 (1.50)
		SAE 62	80.0 (3.15)	36.5 (1.44)	27.2 (1.07)	104.0 (4.09)	79.4 (3.13)	22.4 (0.88)	50.0 (1.97)	17.0 (0.67)	-	42.0 (1.65)	38.0 (1.50)

* D1 = 15 (0.59) at option code 019 for M14 mounting screws.

Seal Kits		
NG	Nitrile	Fluorocarbon
3	S26-75409-0	S26-75409-5
6	S26-75410-0	S26-75410-5
10	S26-75411-0	S26-75411-5
12	S26-75412-0	S26-75412-5

Offer of Sale

The items described in this document and other documents and descriptions provided by Parker Hannifin Corporation, Hydraulics Group, and its authorized distributors ("Seller") are hereby offered for sale at prices to be established by Seller. This offer and its acceptance by any customer ("Buyer") shall be governed by all of the following Terms and Conditions. Buyer's order for any item described in its document, when communicated to Seller verbally, or in writing, shall constitute acceptance of this offer. All goods or work described will be referred to as "Products".

1. Terms and Conditions. Seller's willingness to offer Products, or accept an order for Products, to or from Buyer is expressly conditioned on Buyer's assent to these Terms and Conditions and to the terms and conditions found on-line at www.parker.com/saleterms/. Seller objects to any contrary or additional term or condition of Buyer's order or any other document issued by Buyer.

2. Price Adjustments; Payments. Prices stated on the reverse side or preceding pages of this document are valid for 30 days. After 30 days, Seller may change prices to reflect any increase in its costs resulting from state, federal or local legislation, price increases from its suppliers, or any change in the rate, charge, or classification of any carrier. The prices stated on the reverse or preceding pages of this document do not include any sales, use, or other taxes unless so stated specifically. Unless otherwise specified by Seller, all prices are F.O.B. Seller's facility, and payment is due 30 days from the date of invoice. After 30 days, Buyer shall pay interest on any unpaid invoices at the rate of 1.5% per month or the maximum allowable rate under applicable law.

3. Delivery Dates; Title and Risk; Shipment. All delivery dates are approximate and Seller shall not be responsible for any damages resulting from any delay. Regardless of the manner of shipment, title to any products and risk of loss or damage shall pass to Buyer upon tender to the carrier at Seller's facility (i.e., when it's on the truck, it's yours). Unless otherwise stated, Seller may exercise its judgment in choosing the carrier and means of delivery. No deferment of shipment at Buyers' request beyond the respective dates indicated will be made except on terms that will indemnify, defend and hold Seller harmless against all loss and additional expense. Buyer shall be responsible for any additional shipping charges incurred by Seller due to Buyer's changes in shipping, product specifications or in accordance with Section 13, herein.

4. Warranty. Seller warrants that the Products sold hereunder shall be free from defects in material or workmanship for a period of eighteen months from the date of delivery to Buyer. The prices charged for Seller's products are based upon the exclusive limited warranty stated above, and upon the following disclaimer: **DISCLAIMER OF WARRANTY: THIS WARRANTY COMPRISES THE SOLE AND ENTIRE WARRANTY PERTAINING TO PRODUCTS PROVIDED HEREUNDER. SELLER DISCLAIMS ALL OTHER WARRANTIES, EXPRESS AND IMPLIED, INCLUDING MERCHANTABILITY AND FITNESS FOR A PARTICULAR PURPOSE.**

5. Claims; Commencement of Actions. Buyer shall promptly inspect all Products upon delivery. No claims for shortages will be allowed unless reported to the Seller within 10 days of delivery. No other claims against Seller will be allowed unless asserted in writing within 60 days after delivery or, in the case of an alleged breach of warranty, within 30 days after the date within the warranty period on which the defect is or should have been discovered by Buyer. Any action based upon breach of this agreement or upon any other claim arising out of this sale (other than an action by Seller for any amount due to Seller from Buyer) must be commenced within thirteen months from the date of tender of delivery by Seller or, for a cause of action based upon an alleged breach of warranty, within thirteen months from the date within the warranty period on which the defect is or should have been discovered by Buyer.

6. LIMITATION OF LIABILITY. UPON NOTIFICATION, SELLER WILL, AT ITS OPTION, REPAIR OR REPLACE A DEFECTIVE PRODUCT, OR REFUND THE PURCHASE PRICE. IN NO EVENT SHALL SELLER BE LIABLE TO BUYER FOR ANY SPECIAL, INDIRECT, INCIDENTAL OR CONSEQUENTIAL DAMAGES ARISING OUT OF, OR AS THE RESULT OF, THE SALE, DELIVERY, NON-DELIVERY, SERVICING, USE OR LOSS OF USE OF THE PRODUCTS OR ANY PART THEREOF, OR FOR ANY CHARGES OR EXPENSES OF ANY NATURE INCURRED WITHOUT SELLER'S WRITTEN CONSENT, EVEN IF SELLER HAS BEEN NEGLIGENT, WHETHER IN CONTRACT, TORT OR OTHER LEGAL THEORY. IN NO EVENT SHALL SELLER'S LIABILITY UNDER ANY CLAIM MADE BY BUYER EXCEED THE PURCHASE PRICE OF THE PRODUCTS.

7. Contingencies. Seller shall not be liable for any default or delay in performance if caused by circumstances beyond the reasonable control of Seller.

8. User Responsibility. The user, through its own analysis and testing, is solely responsible for making the final selection of the system and Product and assuring that all performance, endurance, maintenance, safety and warning requirements of the application are met. The user must analyze all aspects of the application and follow applicable industry standards and Product information. If Seller provides Product or system options, the user is responsible for determining that such data and specifications are suitable and sufficient for all applications and reasonably foreseeable uses of the Products or systems.

9. Loss to Buyer's Property. Any designs, tools, patterns, materials, drawings, confidential information or equipment furnished by Buyer or any other items which become Buyer's property, may be considered obsolete and may be destroyed by Seller after two consecutive years have elapsed without Buyer placing an order for the items which are manufactured using such property. Seller shall not be responsible for any loss or damage to such property while it is in Seller's possession or control.

10. Special Tooling. A tooling charge may be imposed for any special tooling, including without limitation, dies, fixtures, molds and patterns, acquired to manufacture Products. Such special tooling shall be and remain Seller's property notwithstanding payment of any charges by Buyer. In no event will Buyer acquire any interest in apparatus belonging to Seller which is utilized in the manufacture of the Products, even if such apparatus has been specially converted or adapted for such manufacture and notwithstanding any charges paid by Buyer. Unless otherwise agreed, Seller shall have the right to alter, discard or otherwise dispose of any special tooling or other property in its sole discretion at any time.

11. Buyer's Obligation; Rights of Seller. To secure payment of all sums due or otherwise, Seller shall retain a security interest in the goods delivered and this agreement shall be deemed a Security Agreement under the Uniform Commercial Code. Buyer authorizes Seller as its attorney to execute and file on Buyer's behalf all documents Seller deems necessary to perfect its security interest. Seller shall have a security interest in, and lien upon, any property of Buyer in Seller's possession as security for the payment of any amounts owed to Seller by Buyer.

12. Improper Use and Indemnity. Buyer shall indemnify, defend, and hold Seller harmless from any claim, liability, damages, lawsuits, and costs (including attorney fees), whether for personal injury, property damage, patent, trademark or copyright infringement or any other claim, brought by or incurred by Buyer, Buyer's employees, or any other person, arising out of: (a) improper selection, improper application or other misuse of Products purchased by Buyer from Seller; (b) any act or omission, negligent or otherwise, of Buyer; (c) Seller's use of patterns, plans, drawings, or specifications furnished by Buyer to manufacture Product; or (d) Buyer's failure to comply with these terms and conditions. Seller shall not indemnify Buyer under any circumstance except as otherwise provided.

13. Cancellations and Changes. Orders shall not be subject to cancellation or change by Buyer for any reason, except with Seller's written consent and upon terms that will indemnify, defend and hold Seller harmless against all direct, incidental and consequential loss or damage. Seller may change product features, specifications, designs and availability with notice to Buyer.

14. Limitation on Assignment. Buyer may not assign its rights or obligations under this agreement without the prior written consent of Seller.

15. Entire Agreement. This agreement contains the entire agreement between the Buyer and Seller and constitutes the final, complete and exclusive expression of the terms of the agreement. All prior or contemporaneous written or oral agreements or negotiations with respect to the subject matter are herein merged.

16. Waiver and Severability. Failure to enforce any provision of this agreement will not waive that provision nor will any such failure prejudice Seller's right to enforce that provision in the future. Invalidation of any provision of this agreement by legislation or other rule of law shall not invalidate any other provision herein. The remaining provisions of this agreement will remain in full force and effect.

17. Termination. This agreement may be terminated by Seller for any reason and at any time by giving Buyer thirty (30) days written notice of termination. In addition, Seller may by written notice immediately terminate this agreement for the following: (a) Buyer commits a breach of any provision of this agreement (b) the appointment of a trustee, receiver or custodian for all or any part of Buyer's property (c) the filing of a petition for relief in bankruptcy of the other Party on its own behalf, or by a third party (d) an assignment for the benefit of creditors, or (e) the dissolution or liquidation of the Buyer.

18. Governing Law. This agreement and the sale and delivery of all Products hereunder shall be deemed to have taken place in and shall be governed and construed in accordance with the laws of the State of Ohio, as applicable to contracts executed and wholly performed therein and without regard to conflicts of laws principles. Buyer irrevocably agrees and consents to the exclusive jurisdiction and venue of the courts of Cuyahoga County, Ohio with respect to any dispute, controversy or claim arising out of or relating to this agreement. Disputes between the parties shall not be settled by arbitration unless, after a dispute has arisen, both parties expressly agree in writing to arbitrate the dispute.

19. Indemnity for Infringement of Intellectual Property Rights. Seller shall have no liability for infringement of any patents, trademarks, copyrights, trade dress, trade secrets or similar rights except as provided in this Section. Seller will defend and indemnify Buyer against allegations of infringement of U.S. patents, U.S. trademarks, copyrights, trade dress and trade secrets ("Intellectual Property Rights"). Seller will defend at its expense and will pay the cost of any settlement or damages awarded in an action brought against Buyer based on an allegation that a Product sold pursuant to this Agreement infringes the Intellectual Property Rights of a third party. Seller's obligation to defend and indemnify Buyer is contingent on Buyer notifying Seller within ten (10) days after Buyer becomes aware of such allegations of infringement, and Seller having sole control over the defense of any allegations or actions including all negotiations for settlement or compromise. If a Product is subject to a claim that it infringes the Intellectual Property Rights of a third party, Seller may, at its sole expense and option, procure for Buyer the right to continue using the Product, replace or modify the Product so as to make it noninfringing, or offer to accept return of the Product and return the purchase price less a reasonable allowance for depreciation. Notwithstanding the foregoing, Seller shall have no liability for claims of infringement based on information provided by Buyer, or directed to Products delivered hereunder for which the designs are specified in whole or part by Buyer, or infringements resulting from the modification, combination or use in a system of any Product sold hereunder. The foregoing provisions of this Section shall constitute Seller's sole and exclusive liability and Buyer's sole and exclusive remedy for infringement of Intellectual Property Rights.

20. Taxes. Unless otherwise indicated, all prices and charges are exclusive of excise, sales, use, property, occupational or like taxes which may be imposed by any taxing authority upon the manufacture, sale or delivery of Products.

21. Equal Opportunity Clause. For the performance of government contracts and where dollar value of the Products exceed \$10,000, the equal employment opportunity clauses in Executive Order 11246, VEVRRA, and 41 C.F.R. §§ 60-1.4(a), 60-741.5(a), and 60-250.4, are hereby incorporated.

6/09



Parker Safety Guide for Selecting and Using Hydraulic Valves and Related Accessories

WARNING: Failure or improper selection or improper use of Parker Hydraulic Valve Division (HVD) Valves or related accessories (“Products”) can cause death, personal injury and property damage. Possible consequences of failure or improper use of these Products include but are not limited to:

- Valves or parts thereof thrown off at high speed
- High velocity fluid discharge
- Explosion or burning of the conveyed fluid
- Contact with suddenly moving or falling objects controlled by the Valve
- Injections by high-pressure fluid discharge
- Contact with fluid that may be hot, cold, toxic or otherwise injurious
- Injuries resulting from injection, inhalation or exposure to fluids
- Injury from handling a heavy item (dropped, awkward lift)
- Electric shock from improper handling of solenoid connections
- Injury from slip or fall on spilled or leaked fluid

Before selecting or using any of these Products, it is important that you read and follow the instructions below. In general, the Products are not approved for in-flight aerospace applications. Consult the factory for the few that are FAA approved.

1.0 GENERAL INSTRUCTIONS

- 1.1 **Scope:** This safety guide provides instructions for selecting and using (including assembling, installing and maintaining) these Products. For convenience all items in this guide are called “Valves”. This safety guide is a supplement to and is to be used in conjunction with the specific Parker catalogs for the specific Valves and/or accessories being considered for use. See item 1.6 below for obtaining those catalogs.
- 1.2 **Fail-Safe:** Valves can and do fail without warning for many reasons. Design all systems and equipment in a fail-safe mode, so that failure of the Valve or Valve Assembly will not endanger persons or property.
- 1.3 **Safety Devices:** Never disconnect, override, circumvent or otherwise disable any safety lockout on any system whether powered by HVD Valves or any motion control system of any manufacturer. (e.g. Automatic shut-off on a riding lawn mower should the operator get out of the seat).
- 1.4 **Distribution:** Provide a copy of this safety guide to each person that is responsible for selecting or using HVD Valve Products. Do not select HVD Valves without thoroughly reading and understanding this safety guide as well as the specific Parker catalogs for the Products considered or selected.
- 1.5 **User Responsibility:** Due the wide variety of operating conditions and applications for Valves, HVD and its distributors do not represent or warrant that any particular Valve is suitable for any specific system. This safety guide does not analyze all technical parameters that must be considered in selecting a product. The user, through its own analysis and testing is solely responsible for:
 - Making the final selection of the Valve
 - Assuring that the user’s requirements are met and that the application presents no health or safety hazards.
 - Providing all appropriate health and safety warnings on the equipment on which the Valves are used.
 - Assuring compliance with all applicable government and industry standards.
- 1.6 **Additional Questions:** Call the appropriate Parker technical service department if you have any questions or require any additional information. See the Parker publication for the product being considered or used, or call 1-800-CPARKER, or go to www.parker.com, for the telephone numbers of the appropriate technical service department. For additional copies of this or any other Parker Safety Guide go to www.parker.com and click on the safety button on the opening page. Catalogs and/or catalog numbers for the various HVD Valve Products can be obtained by calling HVD at 440-366-5100. Phone numbers and catalog information is also available on the Parker website, www.parker.com.

2.0 VALVE SELECTION INSTRUCTIONS

- 2.1 **Pressure:** Valve selection must be made so that the maximum working pressure of the Valve is equal to or greater than the maximum system pressure. Surge, impulse or peak transient pressures in the system must be below the maximum working pressure of the Valve. Surge, impulse and peak pressures can usually be determined by sensitive electrical instrumentation that measures and indicates pressures at millisecond intervals. Mechanical pressure gauges indicate only average pressure and cannot be used to determine surge, impulse or peak transient pressures. Burst pressure ratings if given or known are for manufacturing purposes only and are not an indication that the Product can be used in applications at the burst pressure or otherwise above the maximum working pressure.
- 2.2 **Temperature:** The fluid temperature must be regulated or controlled so that the operating viscosity of the fluid is maintained at a level specified for the particular Valve product. Such ranges are given in the product catalogs or can be obtained from the appropriate customer service department for the particular Valve product.
- 2.3 **Fluid Compatibility:** The fluid conveyed in Valves has direct implications on the Valve selection. The fluid must be chemically compatible with the Valve component materials. Elastomer seals, brass, cast iron, aluminum for example all are potentially affected by certain fluids. Additionally, fluid selection affects the performance of various Valves. Considerations relative to fluid selection are outlined in the specific HVD Valve product catalog. Of particular importance is that the fluid be for hydraulic use, contain the proper additives and wear inhibitors. See 1.6 “Additional Questions” above for information to obtain such HVD catalogs.
- 2.4 **Changing Fluids:** If a system requires a different fluid, it should be done with the guidance in number 2.3 above. Additionally, it may be necessary to flush the system (including the Valves) to remove any of the previous fluid. Consult the Parker Valve Division for guidance.
- 2.5 **Size:** Transmission of power by means of pressurized fluid varies with pressure and rate of flow. The size of the components must be adequate to keep pressure losses to a minimum and avoid damage due to heat generation or excessive fluid velocity.
- 2.6 **Placement:** Installation of Valves must take into account the orientation of the Valve and the proximity of the Valve to other parts of the system. This includes but is not limited to closeness to hot and cold areas, access for servicing and operation as well as orientation for proper connectors.
- 2.7 **Ports:** Connection of Valves in systems can be by threaded ports, sub-base surfaces, flanges and manifolds. In all cases, the proper fitting, surface or mounting hardware must be selected to properly seal and contain the system fluid so as to avoid the adverse conditions listed in the initial warning box above. Specifically, if using threaded ports, the designer must make sure that the mating fitting is of the compatible thread. Also, the instructions provided by the connector hardware supplier must be read and understood so as to properly assemble the connector. The Parker Safety Guide for using Hose, Tubing and Fittings and Related Accessories is but one reference to this end.
- 2.8 **Environment:** Care must be taken to insure that the Valve and Valve Assemblies are either compatible with or protected from the environment (that is, surrounding conditions) to which they are exposed. Environmental conditions including but not limited to ultraviolet radiation, sunlight, heat, ozone, moisture, water, salt water, chemicals and air pollutants can cause degradation and premature failure.
- 2.9 **Electric Power:** For Valves requiring electric power for control, it is imperative that the electricity be delivered at the proper voltage, current and wattage requirements. To obtain the proper control requirements please refer to the respective Parker product catalog for the specific Valve that is intended for use. If further guidance is required, call the appropriate technical service department identified in the respective Parker product catalog.
- 2.10 **Specifications and Standards:** When selecting Valves, government, industry and Parker specifications and recommendations must be reviewed and followed as applicable.
- 2.11 **Accessories:** All accessories used in conjunction with any Parker Valve product must be rated to the same requirements of the Valve including but not limited to pressure, flow, material compatibility, power requirements. All of these items must be examined as stated in the “VALVE INSTALLATION INSTRUCTIONS” paragraph 3.0.



3.0 VALVE INSTALLATION INSTRUCTIONS

- 3.1 **Component Inspection:** Prior to use, a careful examination of the Valve(s) must be performed. The Valve intended for use must be checked for correct style, size, catalog number and external condition. The Valve must be examined for cleanliness, absence of external defects or gouges, cracked or otherwise deformed parts or missing items. The mounting surface or port connections must be protected and free of burrs, scratches, corrosion or other imperfections. Do NOT use any item that displays any signs of nonconformance. In addition, any accessory including but not limited to fittings, bolt kits, hoses, sub bases, manifolds, and electrical connectors must be subjected to the same examination.
- 3.2 **Handling Valves:** Many Valves whether HVD Valves or of another manufacturer can be large, bulky or otherwise difficult to handle. Care must be taken to use proper lifting techniques, tools, braces, lifting belts or other aids so as not to cause injury to the user, any other person or to property.
- 3.3 **Filtration:** Fluid cleanliness is a necessity in any hydraulic system. Fluid filters must be installed and maintained in the system to provide the required level of fluid cleanliness. Filters can be placed in the inlets, pressure lines and return lines. The level of cleanliness required is specified in the HVD product catalog for the specific Valve(s) selected or intended for use. For additional information on Filter selection contact Parker Filter Division at 800-253-1258 or 419-644-4311.
- 3.4 **Servo Valves:** Application of Servo Valves in general requires knowledge and awareness of "closed loop control theory" and the use of electronic controls for successful and safe operation. Individuals who do not have such experience or knowledge must gain training before use of such Products. Parker offers both classroom training as well as manuals to assist in gaining this knowledge. These aids can be obtained by contacting Hydraulic Valve Division at 440-366-5100, calling the general Parker help line 800-CPARKER or going to the Parker web site at www.parker.com.
- 3.5 **Accessory Ratings:** All accessories used in combination with the selected or intended Valve product must be rated and compatible with the selected Valve. Specifically, the items must be of equal or greater rating including but not limited to pressure, flow, power, size, port style, thread connectors and material.
- 3.6 **Connection Styles:** It is the responsibility of the user of the Parker product to properly select connectors and accessories that match the connections on the sub plate, Valve, flange or threaded connection or manifold. It is also the responsibility of the installer to possess adequate skill and knowledge including but not limited to thread preparation, torque technique, hose assembly and inspection, tube preparation and assembly, and fitting installation. Parker Tube Fitting Division (www.parker.com/tfd) catalog 4300 and Parker Hose Products (www.parkerhose.com) catalog 4400 describe some basic technical information relative to proper fitting assembly.
- 3.7 **Electrical Connections:** All electrical connections must be made to the applicable codes and local safety requirements.
- 3.8 **Gauges and Sensors:** The user must install sufficient gauges and sensors in the system so as to be able to determine the condition of the system. This includes but is not limited to pressure gauges, flow meters, temperature sensors and site gauges. These are of utmost importance should removal or disassembly of a Valve, portion of a Valve or portion of the system become necessary. Refer to "VALVE MAINTENANCE AND REPLACEMENT INSTRUCTIONS" for details and especially item 4.8.
- 3.9 **System Checkout:** Once installed, the Valve installation must be tested to insure proper operation and that no external leakage exists. All safety equipment must be in place including but not limited to safety glasses, helmets, ear protection, splash guards, gloves, coveralls and any shields on the equipment. All air entrapment must be eliminated and the system pressurized to the maximum system pressure (at or below the Valve maximum working pressure) and checked for proper function and freedom from leaks. Personnel must stay out of potentially hazardous areas while testing and using.

4.0 VALVE MAINTENANCE AND REPLACEMENT INSTRUCTIONS

- 4.1 **Maintenance Program:** Even with proper installation, Valves and Valve System life may be significantly reduced without a continuing maintenance program. The severity of the application and risk potential must determine the frequency of the inspection and the replacement of the Products so that Products are replaced before any failure occurs. A maintenance program must be established and followed by the user and, at a minimum, must include instructions 4.2 through 4.10. An FMEA (Failure Mode and Effects Analysis) is recommended in determining maintenance requirements.
- 4.2 **Visual Inspection-Valves:** Any of the following conditions require immediate shut down and replacement of the Valve.
- Evidence that the Valve is in partial dis-assembly.
 - Visible crack or suspicion of a crack in the Valve housing or bent, cracked or otherwise damaged solenoid.
 - Missing or partially extending drive pin on a flow control knob.
 - Missing, loose components, obstructions or other condition impeding the motion or function of the manual knob, lever, foot pedal or other mechanical operator of a hydraulic Valve.
 - Any evidence of burning or heat induced discoloration.
 - Blistered, soft, degraded or loose cover of any kind.
 - Loose wire or electrical connector.
- 4.3 **Visual Inspection-Other:** The following conditions must be tightened, repaired, corrected or replaced as required.
1. Fluid on the ground must be cleaned immediately. Also, the source of the fluid must be determined prior to running the equipment again.
 2. Leaking port or excessive external dirt build-up.
 3. System fluid level is too low or air is entrapped or visible in the reservoir.
 4. Equipment controlled by the Valve or Valve assembly has been losing power, speed, efficiency
- 4.4 **Filter Maintenance:** System filters must be maintained and kept in proper working order. The main service requirement is periodic replacement of the filter element or screen. Contact Parker Filter Division at 800-253-1258 or 419-644-4311 for further filter maintenance details.
- 4.5 **Functional Test:** See "System Checkout" number 3.9 above in "VALVE INSTALLATION INSTRUCTIONS".
- 4.6 **Replacement Intervals:** Valves and Valve Systems will eventually age and require replacement. Seals especially should be inspected and replaced at specific replacement intervals based on previous experience, government or industry recommendations, or when failures could result in unacceptable downtime, damage or injury risk. At a minimum seals must be replaced whenever service is rendered to a Valve product.
- 4.7 **Adjustments, Control Knobs, and Other Manual Controls:** System Pressure and Flow are typically adjusted by knobs and/or handles. A set-screw or lock-nut secures the adjustment device so as to maintain the desired setting. This set-screw or lock-nut must first be loosened prior to making any adjustments and re-tightened after adjustment on the HVD Valve. All adjustments must be made in conjunction with pressure gauges and/or flow meters (or by watching the speed of the actuator in the case of setting flow only). See paragraph "Gauges and Sensors" above in the section "VALVE INSTALLATION INSTRUCTIONS". Under no circumstances should any control knob, adjustment stem, handle, foot pedal or other actuating device be forced beyond the mechanical stop(s) on the Valve. For example, the Parker Safety Notice Bulletin **HY14-3310-B1/US** for HVD Colorflow Valves specifically restricts the adjustment torque to "hand adjust" or "less than 10 ft/lbs" if it cannot be adjusted by hand. Failure to adhere to this may force the knob beyond the stop point allowing it to be ejected at high speed resulting in death, personal injury and property damage. For complete safety instructions on HVD Colorflow Valves, copies of Safety Notice **Bulletin HY14-3310-B1/US** can be obtained directly from the Hydraulic Valve Division at 440-366-5100 or from the Parker web site at www.parker.com by selecting the "Safety" button. Parker help line 800-CPARKER is on call 24/7 as well should there be any question about the use of a HVD Valve. Additionally, when making adjustments, always adjust the Valve with all parts of your body to the side of the Valve (that is, the knob is not pointing toward you or anyone else).
- 4.8 **High pressure Warning:** Hydraulic power is transmitted by high-pressure fluids through hoses, fittings and valves, pumps and actuators. This condition can be dangerous and potentially lethal and, therefore, extreme caution must be exercised when working with fluids under pressure. From time to time, hoses, Valves, tubes or fittings fail if they are not replaced at proper time intervals. Typically these failures are the result of some form of misapplication, abuse, wear, or failure to perform proper maintenance. When such failure occurs, generally the high pressure fluid inside escapes in a stream which may or may not be visible to the user. Under no circumstances should the user attempt to locate the leak by "feeling" with their hands or any other part of their body. High-pressure fluids can and will penetrate the skin and cause severe tissue damage and possible loss of limb or life. Even seemingly minor hydraulic fluid injection injuries must be treated immediately by a physician with knowledge of the tissue damaging properties of hydraulic fluid. If a hose, tube, fitting or Valve failure occurs, immediately shut down the equipment and leave the area until pressure has been completely released from the system. Simply shutting down the pump may or may not eliminate the pressure in the system. It may take several minutes or even hours for the pressure to be relieved so that the leak area can be examined safely. Once the pressure has been reduced to zero, the suspected leaking item can be taken off the equipment and examined. It must always be replaced if a failure has occurred. Never attempt to patch or repair a connector (especially a hose) or Valve that has failed. Consult the nearest Parker distributor or the appropriate Parker division for component replacement information. Never touch or examine a failed hydraulic component unless it is obvious that the item no longer contains fluid under pressure.

Extensive Hydraulic Product Offering

Accumulators



Piston, bladder and diaphragm type accumulators, gas bottles and KleenVent reservoir isolators.

www.parker.com/accumulator

Compact Hydraulics



Self-contained with a motor, gear pump, reservoir, internal valving, load hold checks and relief valves.

www.parker.com/oildyne

Cylinders



Standard and custom hydraulic cylinders for industrial and mobile applications.

www.parker.com/hydcyl

Electronics/Remote Controls



Parker's unique IQAN approach combines sturdy, well-tested hardware with intelligent, flexible computing power.

www.parker.com/iqan

Filtration



Pressure and return line filters enhances machine life, reduces maintenance and lowers costs.

www.parker.com/hydraulicfilter

Integrated Hydraulic Circuits



Solutions for complex circuits that include threaded cartridge valves integrated into a single manifold.

www.parker.com/hcs

Motors



Full line of high and low speed motors provides power up to 15,000 in-lbs of torque.

www.parker.com/pumpmotor

Power Take Off



Parker Chelsea leads the industry for engineering, innovation and performance in auxiliary power systems.

www.parker.com/chelsea

Power Units



The most complete line of standard, pre-engineered, cataloged hydraulic power units in the industry.

www.parker.com/pumpmotor

Pumps



Broad line of energy-efficient hydraulic pumps that includes piston, vane and gear pumps.

www.parker.com/mobpump

Rotary Actuator



Industry leader in the design and manufacture of hydraulic rack and pinion, and vane style rotary actuators.

www.parker.com/actuator

Valves and Controls



Hydraulic valves for virtually every hydraulic equipment application, from simple to precise control.

www.parker.com/hydraulicvalve

Covering the Industrial and Mobile markets, each catalog is paired with an interactive DVD. Call for your comprehensive guides today. 1-800-C-Parker.



Mobile Hydraulics
Bulletin HY19-1012/US



Industrial Hydraulics
Bulletin HY01-1001/US

Parker Hydraulics International Sales Offices

North America

Hydraulics Group Headquarters

6035 Parkland Boulevard
Cleveland, OH 44124-4141 USA
Tel: 216-896-3000
Fax: 216-896-4031

Parker Canada Division

160 Chisholm Drive
Milton, Ontario, L9T 3G9 Canada
Tel: 905-693-3000
Fax: 905-876-1958

Mexico

Parker Hannifin de México

Industrial Hydraulic Sales
Eje Uno Norte No. 100
Parque Industrial Toluca 2000
Toluca, Edo. de Mexico CP 50100
Tel: 52 72 2275 4200
Fax: 52 72 2279 9308

Europe

Hydraulics Group Headquarters

La Tuilière 6
CH-1163 Etoy, Switzerland
Tel: 41 21 821 8500
Fax: 41 21 821 8580

Latin America

Parker Hannifin Ind. e Com. Ltda Hydraulics Division

Av. Frederico Ritter, 1100
94930-000 Cachoeirinha RS, Brazil
Tel: 55 51 3470 9144
Fax: 55 51 3470 9215

Parker Hannifin Argentina S.A.I.C.

Stephenson 2711
1667-Tortuguitas-Malvinas Argentinas
Pcia. de Buenos Aires, Argentina
Tel: 54 3327 44 4129
Fax: 54 3327 44 4199

Pan American Division

7400 NW 19th Street, Suite A
Miami, FL 33126 USA
Tel: 305-470-8800
Fax: 305-470-8808

Industrial Sales

Central Region

1042 Maple Avenue
Unit 331
Lisle, IL 60532 USA
Tel: 630-964-0796

Great Lakes Region

6035 Parkland Boulevard
Cleveland, OH 44124-4141 USA
Tel: 216-896-3000
Fax: 216-896-4031

Gulf Region

20002 Standing Cypress Drive
Spring, TX 77379 USA
Tel: 817-473-4431
Fax: 888-227-9454

Southwest Region

700 S. 4th Avenue
Mansfield, TX 76063 USA
Tel: 817-473-4431
Fax: 888-227-9454

Mid Atlantic & Southeast Regions

1225 Old Alpharetta Rd
Suite 290
Alpharetta, GA 30005 USA
Tel: 770-619-9767
Fax: 770-619-9806

Midwest Region

8145 Lewis Road
Minneapolis, MN 55427 USA
Tel: 763-513-3535
Fax: 763-544-3418

Northeast Region

P.O. Box 396
Pine Brook, NJ 07058 USA
Tel: 973-227-2565
Fax: 973-227-2467

Northwest Region

6458 North Basin Avenue
Portland, OR 97217 USA
Tel: 503-283-1020
Fax: 866-611-7308

Pacific and Plains Region

8460 Kass Drive
Buena Park, CA 90621 USA
Tel: 714-228-2509
Fax: 714-228-2511

Mobile Sales

Mobile Sales Organization and Global Sales

850 Arthur Avenue
Elk Grove Village, IL 60007 USA
Tel: 847-258-6200
Fax: 847-258-6299

Asia Pacific

Parker Hannifin Shanghai Ltd.

280 Yunqiao Road,
Jin Qiao Export Processing Zone
Shanghai 201206, China
Tel: 86 21 2899 5000
Fax: 86 21 5834 8975

Parker Hannifin Hong Kong Ltd.

Suites 01-04, 20/F,
Tower 2, The Gateway,
Harbour City, Tsimshatsui,
Hong Kong
Tel: 852 2428 8008
Fax: 852 2480 4256

Parker Hannifin Korea Ltd.

18F KAMCO Yangjae Tower
949-3 Dogok1-dong, Gangnam-gu
Seoul, 135-860, Korea
Tel: 82 2 559 0408
Fax: 82 2 556 8187

Parker Hannifin India Pvt Ltd.

Plot No. EL-26, MIDC,
TTC Industrial Area
Mahape, Navi Mumbai, 400 709, India
Tel: 91 22 6513 7081
Fax: 91 22 2768 6841

Parker Hannifin Australia

Parker Hannifin Pty Ltd.
9 Carrington Road
Castle Hill, NSW 2154, Australia
Tel: 612 9634 7777
Fax: 612 9842 5111

South Africa

Parker Hannifin Africa Pty Ltd

10 Berne Avenue
Aeroporto
Kempton Park 1620,
Republic of South Africa
Tel: 19 610 700
Fax: 13 927 213

