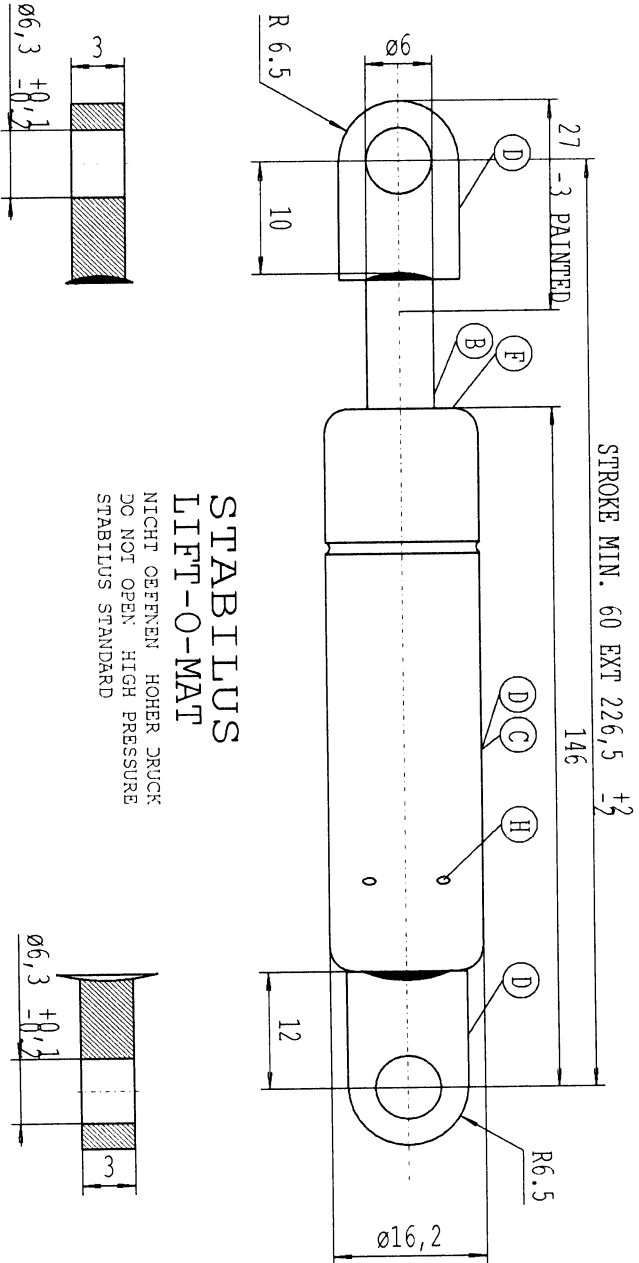
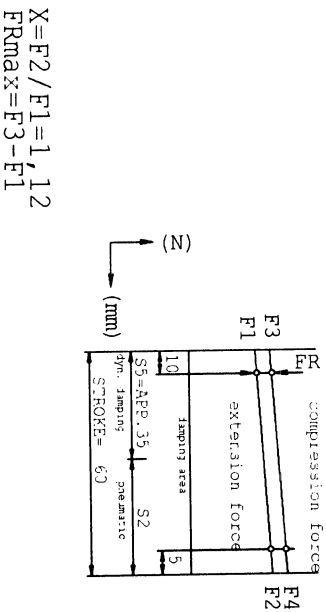


Intended for internal use and customer



STABILUS
LIFT-O-MAT
NICHT OEFENEN HOHER DRUCK
DO NOT OPEN HIGH PRESSURE
STABILUS STANDARD



$X = F2 / F1 = 1,12$
 $FR_{max} = F3 - F1$

Forces (statically measured)		
F1 (N)	F4 max. (N)	FR max. (N)
extension force	compression force	friction
450 ±20	600	50

- B | Nislide black
- C | print white
- D | black painted
- F | border flange oiled
- H | dinks permissible

CHANGE	
NEW	ZUDDR 146
OLD	ZUDDR 144,5
CHG. NO.	2321/95
NAME	29.09.95 SCHNASS
NO.	3
	ÜBERARBEITUNG
	506668
	06.07.99 SCHNASS
	4

DIMENSIONS WITH- OUT TOLERANCE	
LIFT-O-MAT DD	
+/-1	03 01 0613 16 060

All reserved rights to this drawing, by any patents or patent registrations related hereto, and by the application, transmission of data patents and must use key use of this drawing without the written consent of STABILUS.

- The gas spring must not be mechanically modified or damaged.
- The warning label must not be removed or obscured.
- Dynamic damping choke cross section continuous becoming less in direction of extension.
- compression and extension forces measured acc. to STAB-Spec. 10009033
- Extension speed measured according to STAB-Spec. 10006487
- Spring test with piston rod downwards
- Protect piston rod from dirt, paint and damage
- Disposal acc. to STAB-Spec.10009375
- Drawing not true-to-scale
- Installation: Preferably with piston rod down
- Observe installation instructions according to STAB-Spec. 10005593
- Permissible operating temperature range -30°C to +80°C

Unregistered copy
Print-out is not subject to the modification service

STABILUS

DATE	07.01.1992	NAME	U. OEHMS
DRAWING	CHECKED		

Document No.	10005197
920584	E