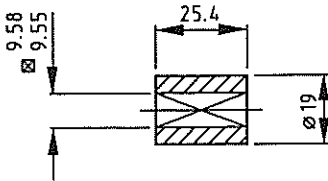
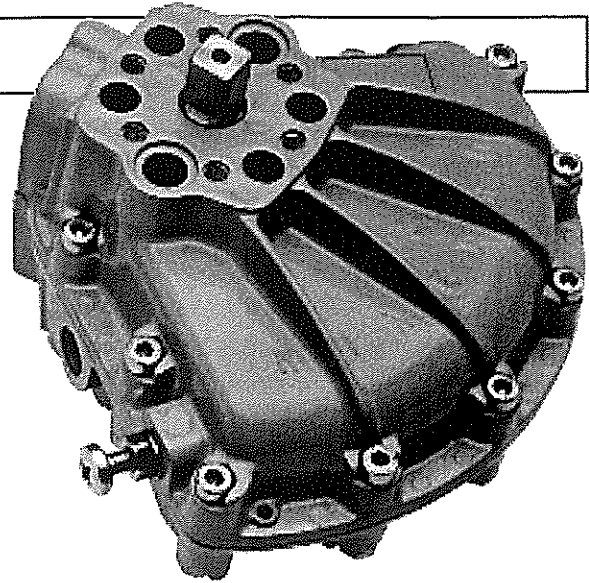


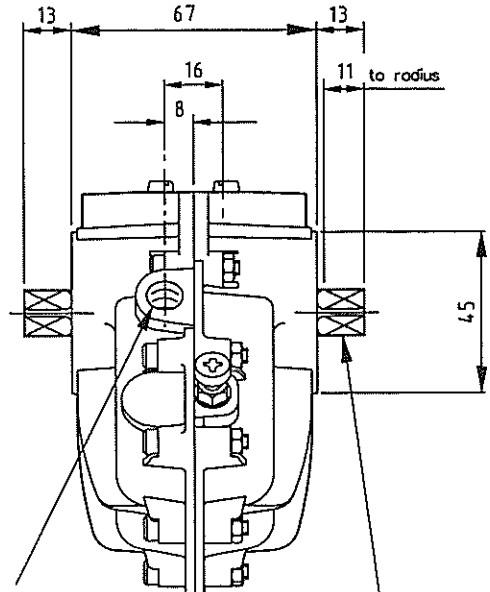
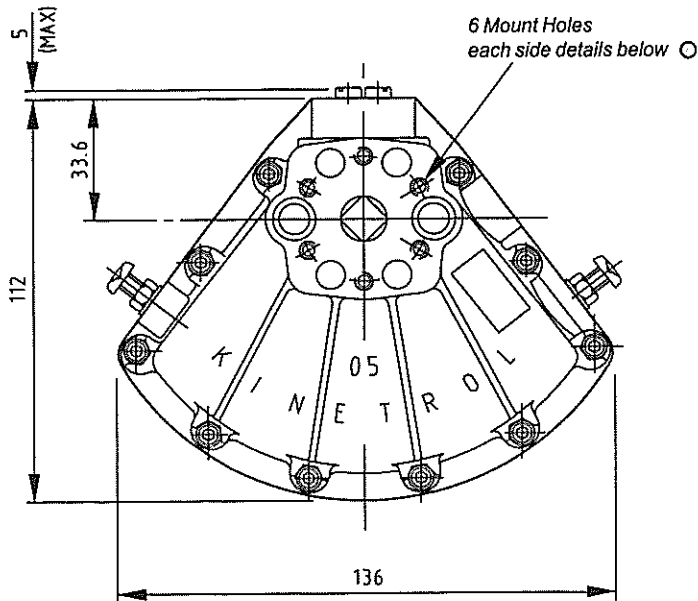
model 05

Output torque 440 lbf.ins/50 Nm at 100 psi/7 bar
Angle of travel 84° – 100°
 (adjustable) (restricted travel versions available to order)
Displaced volume 6.9 in³/113 cm³
Finish Epoxy stove enamel
Weight 2.82 lb/1.28 kg (including coupling)

For further information see General Specification, page 41.



STANDARD COUPLING
 (supplied with actuator)



2 Air Ports staggered
 thread details below ○

9.53
 9.47
 Shown at
 limit of travel

options

- Fail safe spring return units - clockwise or counter clockwise
- Limit switch boxes for open/close indication - various switches for all hazardous areas
- Integral solenoid valve
- AP pneumatic positioner - full range of options see pages 7 & 8
- EL electropneumatic positioner- full range of options see pages 11 & 12
- 3 stop positioner
- 180° model
- Clear cone position monitor
- Female drive and mounting details to DIN 3337 and ISO 5211
- Geared manual override

- Code identification see page 32
- Torque outputs see pages 39/40
- Size details of options see pages 6/14/17/35/36/37/38

○ Air Ports/Mount Holes

Model	Air Ports	Mount Holes
050-100	G ¹ / ₈ "	M5 x 10 deep x 34.9 PCD
058-100	G ¹ / ₈ "	M5 x 10 deep x 34.9 PCD
059-100	1/8" NPT	10-32 UNF x 3/8" deep on 1.375" PCD

ENGLISH DIMENSIONS see page 34