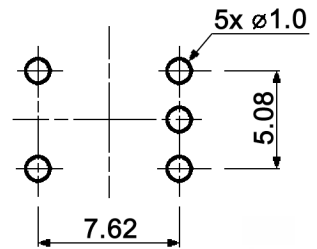
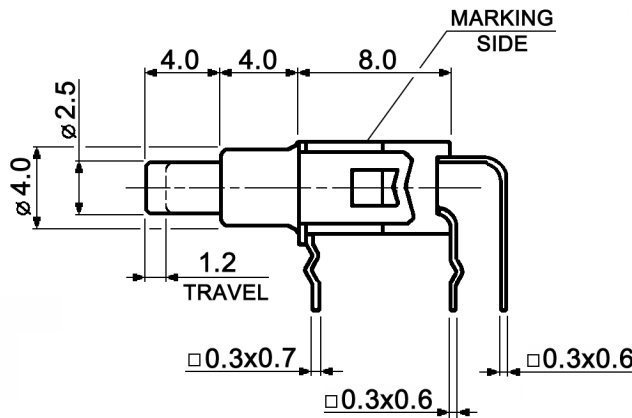


P.C. MOUNTING

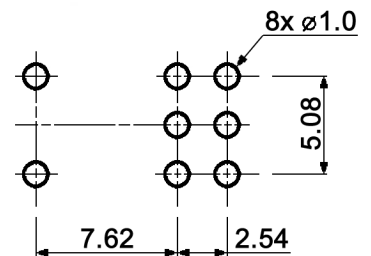


APE 1F-RA

When looking at the marking side, the normally closed contacts are on the right hand side.



P.C. MOUNTING

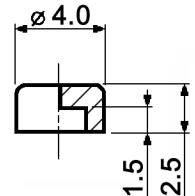


APE 2F-RA

Specifications:

- Contact rating: max. 48V AC/DC, 0.4VA / max. 50mA  
min. 20mV AC/DC, 1µA
- Contact resistance: 50mOhm max.
- Insulation resistance: 500MOhm min. at 250V DC
- Dielectric strength: 500V, 50Hz for the duration of 1 minute
- Operating temperature: -20°C to +85°C
- Mechanical life: min. 60 000 cycles
- Operating force: 1.86 +/-1.08N
- Soldering conditions: auto-soldering: max.: 260 +/-5°C, 5sec.
- Switching function: on - mom
- Mouting: on pc-board
- Material: Case: PBT, meets UL94V-0, washable  
Metal parts: brass, nickel plated  
Contacts: phosphor bronze, gold plated over nickel barrier  
Terminals: PC terminals, crimped, phosphor bronze, gold plated over nickel barrier

Caps:



- black KA 3105
- green KA 3106
- grey KA 3107
- yellow KA 3108
- red KA 3109
- white KA 3110

UL file number: E140532



Tolerances:	Date	Name
		08/09
Modifications	Date	Name

**APE 1F-RA / APE 2F-RA**

**knitter-switch**

**30 16 86**

Page

1/1