

SUPPLYING.
DOSING.
APPLYING.

WALTHER
SYSTEMTECHNIK

2021

MAIN CATALOG

○ ○ ○ ○ ○ ○ ○ ○

DOSING TECHNOLOGY TAILORED TO YOUR NEEDS.

Walther Systemtechnik GmbH is a technologically leading business with a long-term experience in special machine construction and has specialized in dosing applications and application processes: we are your competent partner for all kinds of dosing and applying of liquid and high-viscosity media.



WALTHER SYSTEMTECHNIK GMBH

DOSING AND DISPENSING SYSTEMS FOR VISCOUS MEDIA
www.walther-systemtechnik.com

WITH BEST REGARDS FROM GERMERSHEIM

With our development of contact-free dosing processes for greases and pastes, Walther Systemtechnik GmbH defined new cycle times for industrial productions at the beginning of the millennium. A profound knowhow in special machine construction and the specialization in application processes earned the company an outstanding reputation in Germany and abroad.

The relationship to customers and partners is characterized by trust and based upon a particularly high quality of products and services. In many cases, this relationship has developed into a strategic, knowledge-based cooperation. However, in view of dynamic overall conditions, we do not regard the construction of first-class dosing technology as the sole guarantee for success.

You, our partners and customers, confront us continuously with new challenges. Highly flexible components, IoT-based controlling options, complete application solutions with ever greater automatization, as well as a fast

realization of custom-designed systems are the current demands of the market. At the same time, we are on the cusp of Industry 4.0. As varied as the tasks may be, we still have the same motivation: Engagement and commitment for progress.

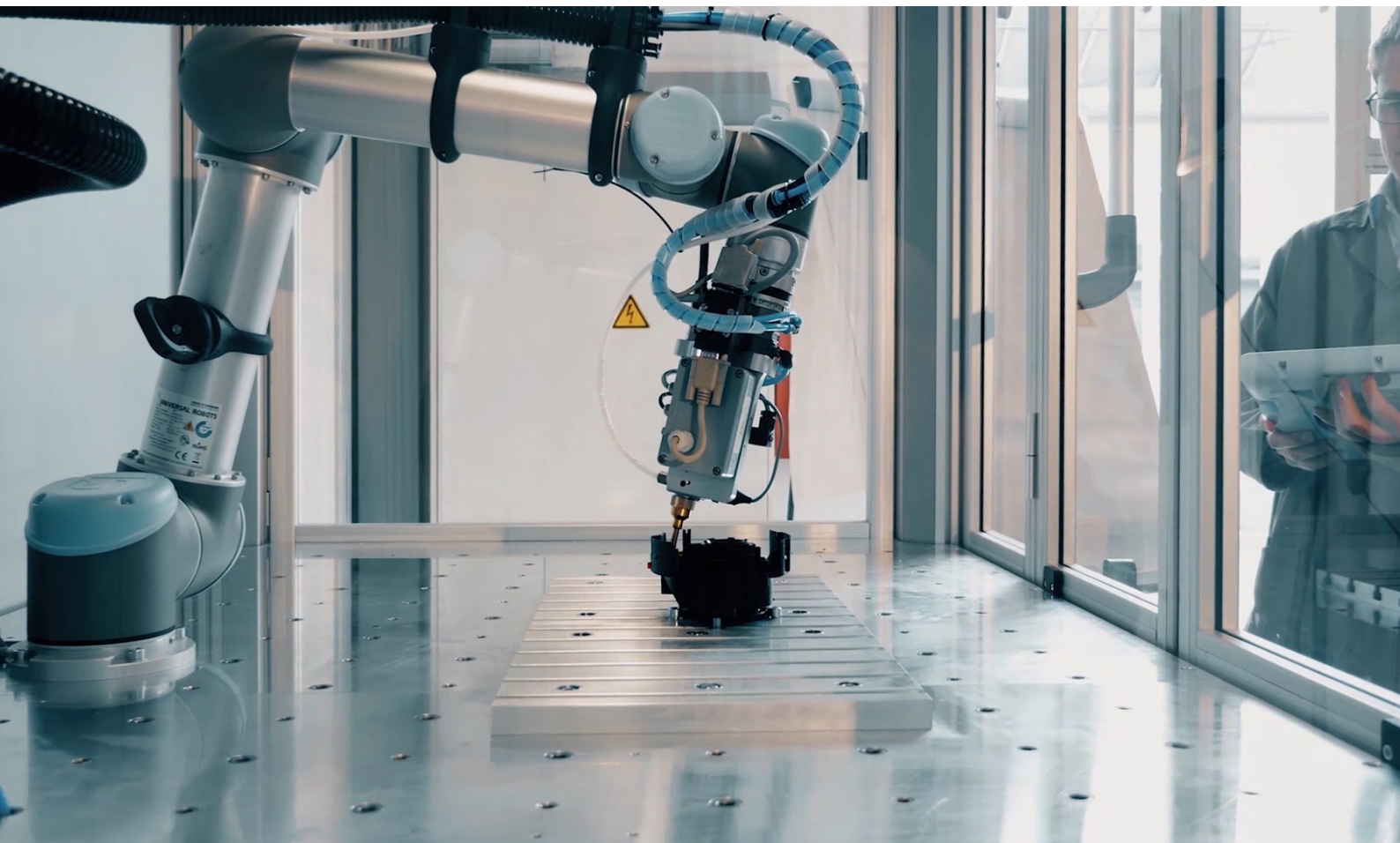
Today, we persist in a hard, international competition as we support our partners and customers with far more than just system design. We develop complex, fully automated systems which are robotics-assisted – for example in the automotive industry – and carry out complete project planning services. In our production, we have established structures which allow us fast and short-term reactions to customer wishes and market developments. With a large range of manufacture, we can guarantee to deliver a constantly excellent quality.

In times like these, it is still our aspiration to set standards and to convince with top services. This is part of our self-conception. And we owe you.

A handwritten signature in blue ink, appearing to be 'P. Unterhalt', is centered on a light blue rectangular background.

Philipp Unterhalt (Managing Director)

SUPPLYING. DOSING. APPLICATION.



PROGRESS NEEDS INNOVATION. WE HAVE THE TECHNOLOGY.

WE CONSTRUCT AND PRODUCE – CHARACTERISTICS FOR EXCELLENT DOSING TECHNOLOGY.

Walther Systemtechnik designs, constructs and produces components, systems and devices for supplying, dosing and applying liquid and high-viscosity media.

Our solutions are used in key industries, such as the automotive, air or space sector, as well as in individual production lines for the general industry. Therefore, our customers include medium-sized businesses and also global players; many of them for decades already.

Our customers are united in their trust in high-quality products and services, decades of engineering competence, a profound application knowledge and readiness for innovation. Our passion for realizing their projects fascinates our customers. They are convinced by our flexibility and the individual service.

This trust from our customers is the source for our engagement for quality and customer orientation. It motivates us to become better every day in order to support our customers with "state-of-the-art" dosing and application technology which provides a maximum in safety and efficiency. For this

purpose, we explicitly offer solutions which are environmental-friendly, sustainable and economic. For us, there is no contradiction in responsible actions and economic success.

With our one-stop shop system, Walther Systemtechnik provides everything from one supplier; project planning, machine construction, automation and robotics. Whether greasing, marking or gluing – we take care of your project from beginning to end. In short: you will have one point of contact, but many specialists who are highly committed to your project.

Short decision paths and reaction times, high customer orientation as well as the option to rely upon company-own competences build our basis for developing long-term, crisis-proof and stable business relations.

We also have worldwide service and storage locations which guarantee that we can accompany you with local content wherever your most important target markets are.

TABLE OF CONTENTS

SUPPLYING & FEEDING / PUMP SYSTEMS	18
WPS Basic	18
WPS Advanced	28
WPS Advanced Tandem	38
WPS Professional	48
WPS Professional with Homogenization and Medium Storage	54
Small-Scale Supply Unit	62
TRANSFER & TREATMENT / PRESSURE / VOLUME FLOW	66
Material Pressure Regulator	66
SAVE Material Pressure Regulator	70
Booster Pump	72
Plug-in Cube	74
TRANSFER & TREATMENT / FILTER	76
Filter System	76
Filter System Diagnose-capable	80
Inline Filter	84
Air Bubble Outward Transfer	86
Advanced Degassing Station	88
TRANSFER & TREATMENT / DISTRIBUTOR	92
Distributor Module	92
Material Distributor	94
Medium Switch	96
TRANSFER & TREATMENT / STORAGE	100
Medium Storage	100

TABLE OF CONTENTS

TRANSFER & TREATMENT / CONNECTING ELEMENTS / SCREW JOINTS / SCREW-JOINT FOR WMS-HD...	104
Screw-in Screw Joint GE/ED (inch)	104
Screw-in Connecting Piece, pre-mounted GES/ED (inch)	106
Connecting Screw Joint G	108
Reduction Connector GVO	110
Reduction Connector KOR	112
Reduction and Expansion Connector	114
Adjustable angled Screw Joint, metric	116
TRANSFER & TREATMENT / CONNECTING ELEMENTS / SCREW JOINTS / SCREW-JOINT FOR WMS-HDF...	118
Straight Screw-in Joint	118
TRANSFER & TREATMENT / CONNECTING ELEMENTS / SCREW JOINTS / SCREW-JOINT FOR WMS-ND...	120
Low Pressure Screw-in Screw Joints	120
TRANSFER & TREATMENT / CONNECTING ELEMENTS / SCREW JOINTS	122
Locking Screw VS-ED	122
TRANSFER & TREATMENT / CONNECTING ELEMENTS / HOSES	124
Low Pressure Hose	124
High Pressure Hose HDS	126
High Pressure Hose HDF	130
Heating Hose	132
TRANSFER & TREATMENT / ACCESSORIES	134
Functional Assembly Groups 1/4 inch	134

TABLE OF CONTENTS

TRANSFER & TREATMENT / ACCESSORIES / BALL VALVE	136
Ball Valve manual	136
Ball Valve with Actuator	138
TRANSFER & TREATMENT / ACCESSORIES	140
Module Connector Set	140
PROCESSING & APPLICATION / DOSING / VALVE	144
WDV – Volume Dosing Valve	144
VMS-02 – Full-jet Valve	148
PROCESSING & APPLICATION / DOSING / VALVE NEEDLE	152
Valve Needle Full-jet Valve	152
PROCESSING & APPLICATION / DOSING / NOZZLE	154
Nozzle Full-jet Valve	154
PROCESSING & APPLICATION / DOSING / NOZZLE LOCK	156
Valve Needle Lock Dosing	156
PROCESSING & APPLICATION / DOSING / DOSING PISTON SENSOR	158
Dosing Piston Sensor single	158

TABLE OF CONTENTS

PROCESSING & APPLICATION / SPRAYING / VALVE	160
SMS-02 – Spray Valve Series 02	160
SMS-20 – Spray Valve Series 20	164
SMS-22 – Spray Valve Series 22	168
SMS-04 – Spray Valve Series 04	172
PROCESSING & APPLICATION / SPRAYING / VALVE NEEDLE	176
Valve Needle Spray Valve	176
PROCESSING & APPLICATION / SPRAYING / NOZZLE EXTENSION	180
Nozzle Extension outlet sealing	180
Nozzle Extension inlet sealing	184
PROCESSING & APPLICATION / SPRAYING / AIR CAP	188
Air Cap Spray Valve	188
PROCESSING & APPLICATION / SPRAYING / NOZZLE	192
Nozzle Spray Valve	192
PROCESSING & APPLICATION / SPRAYING / NEEDLE LOCK	196
Valve Needle Lock Spraying	196

TABLE OF CONTENTS

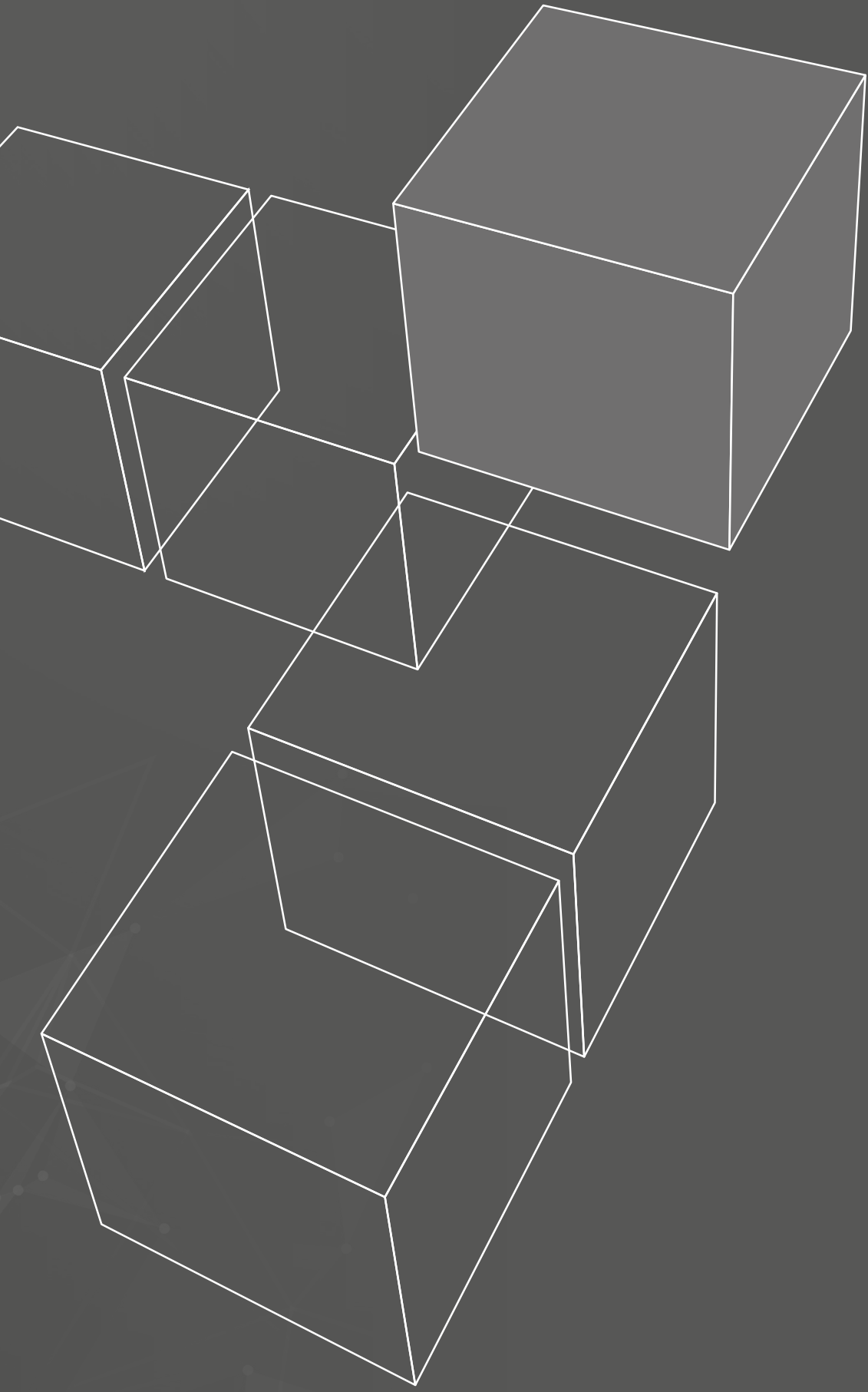
PROCESSING & APPLICATION / PULSING / VALVES	198
MPP-01 – Micro-Point-Pulse Valve Type 1	198
MPP-03 – Micro-Point-Pulse Valve Type 3	202
PROCESSING & APPLICATION / PULSING / VALVE NEEDLE	206
Valve Needle Pulse Valve	206
PROCESSING & APPLICATION / PULSING / NOZZLE	209
Nozzle Pulse Valve	209
PROCESSING & APPLICATION / PULSING / NEEDLE LOCK	210
Valve Needle Lock Pulsing	210
PROCESSING & APPLICATION / ACCESSORIES / DOSING TIPS & ADAPTERS	212
Dosing Tip DS	212
Dosing Tip DE	216
Luer-Lock-Adapter	218
PROCESSING & APPLICATION / ACCESSORIES / SAVE NEEDLE LOCK	220
SAVE Needle Lock	220
PROCESSING & APPLICATION / ACCESSORIES / HEATING & INSULATION	222
Heating Plate	222
Insulating Plate	224

TABLE OF CONTENTS

PROCESSING & APPLICATION / ACCESSORIES / LIGHT BARRIER	226
Light Barrier	226
PROCESSING & APPLICATION / ACCESSORIES / TOOLS & CLEANING	230
Tool Set	230
Cleaning Kit	232
INSTRUMENTATION & CONTROL / CONTROLLING & MONITORING SYSTEM	236
WALTHER LOGIC – Limit Value Module	236
WALTHER LOGIC – Valve Control	238
WALTHER LOGIC – Valve Control MINI	240
Temperature Controller Bundle	242
INSTRUMENTATION & CONTROL / PRESSURE SENSORS	244
Pressure Sensor Series 1	244
Pressure Sensor Series 2	246
Pressure Sensor with Display	248
INSTRUMENTATION & CONTROL / VOLUME FLOW SENSOR	250
Gearwheel Volume Flow Meter	250
INSTRUMENTATION & CONTROL / ACCESSORIES	252
Connecting Cable	252
Bus Cable	254

YOUR SYSTEM:
VARIABLE
CONFIGURATION.

YOUR BENEFIT:
MORE EFFICIENCY
AND PROFITABILITY IN
PROJECT PLANNING.



WALTHER MODULAR SYSTEM



EASY
INTEGRATION,
COMPACT DESIGN,
SHORT
INSTALLATION TIME

INTELLIGENT MODIFICATION INSTEAD OF CUMBERSOME UPGRADING!

WALTHER MODULAR COMBINES QUALITY, DESIGN AND FUNCTIONALITY WITH A VARIETY OF ADVANTAGES.

Systems for conditioning, handling and providing lubricants are necessary and also often very complex systems. WALTHER MODULAR sets on a different path. Following Albert Einstein's aphorism "Make things as easy as possible. But not simpler.", we get to the heart of lubrication handling in a competent manner.

WALTHER MODULAR stands for perfected lubrication handling; all components are characterized by high standards in quality and functionality, in accordance with our philosophy. This means that they work reliably, constantly and with power; in combination, they form the heart of supply for your overall system.

For the development, it was an important aspect for us that WALTHER MODULAR will unite extensive functions and high performance with easiest use; nothing more, nothing less. Of course, we know that a correct handling of lubricants is the basic requirement for a reproduceable and correct lubrication application.

The core element for lubricant supply and maintenance in WALTHER MODULAR is the completely modular design. The individual components of the series can be variably combined to a system as they were designed as plug-in modules. From components to pipes, all is finely adapted.



INDIVIDUAL BUT STILL VARIABLE

The system as a whole will be set up specifically for production, but the individual components remain variable and can be reconfigured anytime. Thus, we can construct individual systems which meet your needs and cover exactly the required working area.

INVESTMENT-FRIENDLY AND COST-SAVING

This concept comes with a great advantage: using proven modules makes the project planning of your maintenance system more efficient and profitable. Also, the engineering risk drops considerably.

When changing your production, you can easily replace old modules with new ones, or add additional modules to the system; thereby from the start, you will only invest in modules which you really need.

The fact that the modular structure reduces the time and costs for maintenance or repair work due to the simple replacement of defec-

tive components and a long-term avoiding of production standstills, are an additional advantage. Above that, all modules can be refurbished after their operating phase and reintegrated in a new system.

At the same time, the modular concept ensures that all components of the Modular series are universal and can be used individually.

RELIABLE AND SAFE

It is also worth mentioning that changes within modular systems and especially in modules will not affect other modules because specific tasks are taken over by independent components, and the cross-dependence is kept quite low.

As a result of this system status, the individual modules will operate mostly independent of each other. If errors occur in modules, these malfunctions will not adversely affect other modules; there is a „local protection“.

This means individual or all components of the systems can be replaced by other components without jeopardizing the integrity of the

complete system. Due to the independence of the individual components, it is also possible to uncouple the statistic service life of modules.

EASY AND USER FRIENDLY

Well-equipped for any use: Thanks to robust materials and sophisticated technology, the devices can be exactly adapted to the performance values of the application, cope with difficult surrounding conditions and operate reliably and precisely in all fields of use for

various businesses. They are powerful and user friendly and allow a reliable, safe and economic permanent operation. Besides their compact design and the very small plug-in width, the modules also feature a very easy mounting and maintenance.

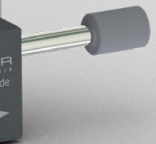
Whether single components or stringed units, whether local or central conditioning and providing of lubricants – the devices from the Walther Modular series rise to full potential in all areas and offer custom-fit, complete technical solutions.

MODULES

Please refer to the following pages for components of the Walther Modular system: 64, 70, 72, 74, 78, 84, 90, 94, 98, 138. They are marked with the below signet.

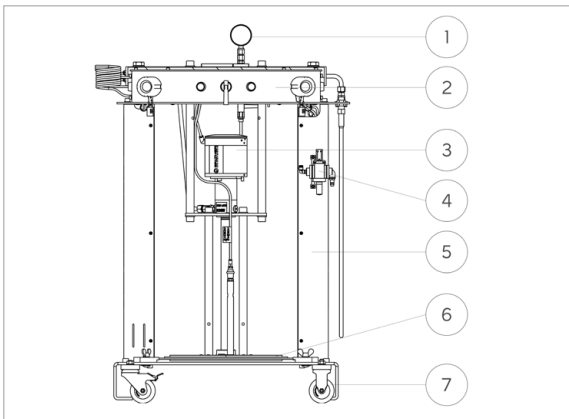
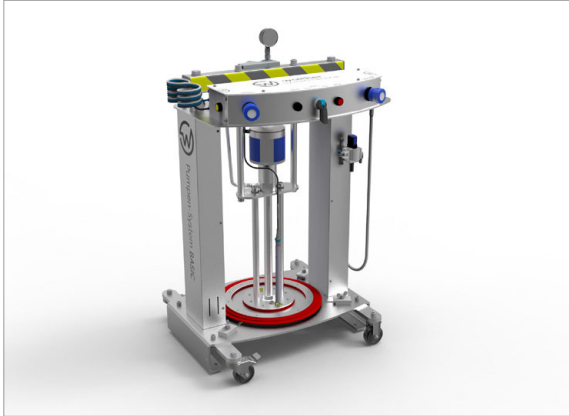


SUPPLYING AND FEEDING



Supplying & Feeding / Pump Systems

WPS BASIC



HIGHLIGHTS

- As a standard, integrated filter system
- Pump system turns off automatically after complete emptying of container
- almost completely empty containers due to adapted follower plates
- Two-hand control for a safe lowering of the pump lifter
- follower plate pressure can be steplessly adjusted
- expandible by various options

USAGE

With the WPS Pump Systems, you can supply medium- to highly-viscous media directly from the manufacturer container. With the pump lifter, the replacement of containers is fast and does not need much effort. In the BASIC version, the pump system comes with an entirely pneumatic control unit for a manual operation on-site. This can also be used for replacing the empty containers. The original containers are completely emptied so that there will be no unnecessary loss of grease. The automatic power-off will turn off the pump when a low filling level is reached, in order to avoid any intake of air.

CONSTRUCTION

- 1 Pressure gauge
- 2 Operating unit
- 3 Supply pump
- 4 Lock Valve
- 5 Frame
- 6 Follower plate
- 7 Foot

YOUR BENEFITS

- Cost-efficient pump system for professional use

Supplying & Feeding / Pump Systems

WPS BASIC

ORDER CODE

(* STANDARD OPTIONS)

WPS	-		-		-		-		-		-		-		-		-		-		-	
1		2		3		4		5		6		7		8		9		10		11		

1	Designation		5	Filter Unit		7	Mobile
	Walther Pump System		150	150 [µm]		0	no option
			300	300 [µm]		G	mobile version
			500	500 [µm]			
2	Size		6	Follower plate		8	SAVE
1	max. container size		00000	without follower plate		0	no option
	Ø 435 x 445 [mm]		FP100	follower plate (D=300 [mm])		S	SAVE installed
2	max. container size		FP101	follower plate (D=344 [mm])			
	Ø 460 x 695 [mm]		FP102	follower plate (D=405 [mm])		9	Acoustic empty signal
3	max. container size		FP103	follower plate (D=430 [mm])		0	without acoustic
	Ø 642 x 950 [mm]		FP104	follower plate (D=586 [mm])		A	with acoustic
3	Type		FP201	follower plate (D=103 [mm])		10	Options
B	Basic		FP202	follower plate (D=200 [mm])		0	no option
4	Ratio		FP203	follower plate (D=245 [mm])			
25	25:1		FP204	follower plate (D=175 [mm])		11	Index
						0	Index for option

STANDARD VARIANTS

Item number	Order Code	Item number	Order Code
50008182	WPS-1-B-25-000-00000-0-0-0-0-0	50008198	WPS-1-B-25-300-00000-0-0-0-0-0
50008183	WPS-1-B-25-000-00000-0-0-A-0-0	50008199	WPS-1-B-25-300-00000-0-0-A-0-0
50008184	WPS-1-B-25-000-00000-0-S-0-0-0	50008200	WPS-1-B-25-300-00000-0-S-0-0-0
50008185	WPS-1-B-25-000-00000-0-S-A-0-0	50008201	WPS-1-B-25-300-00000-0-S-A-0-0
50008186	WPS-1-B-25-000-00000-G-0-0-0-0	50008202	WPS-1-B-25-300-00000-G-0-0-0-0
50008187	WPS-1-B-25-000-00000-G-0-A-0-0	50008203	WPS-1-B-25-300-00000-G-0-A-0-0
50008188	WPS-1-B-25-000-00000-G-S-0-0-0	50008204	WPS-1-B-25-300-00000-G-S-0-0-0
50008189	WPS-1-B-25-000-00000-G-S-A-0-0	50008205	WPS-1-B-25-300-00000-G-S-A-0-0
50008190	WPS-1-B-25-150-00000-0-0-0-0-0	50008206	WPS-1-B-25-500-00000-0-0-0-0-0
50008191	WPS-1-B-25-150-00000-0-0-A-0-0	50008207	WPS-1-B-25-500-00000-0-0-A-0-0
50008192	WPS-1-B-25-150-00000-0-S-0-0-0	50008208	WPS-1-B-25-500-00000-0-S-0-0-0
50008193	WPS-1-B-25-150-00000-0-S-A-0-0	50008209	WPS-1-B-25-500-00000-0-S-A-0-0
50008194	WPS-1-B-25-150-00000-G-0-0-0-0	50008210	WPS-1-B-25-500-00000-G-0-0-0-0
50008195	WPS-1-B-25-150-00000-G-0-A-0-0	50008211	WPS-1-B-25-500-00000-G-0-A-0-0
50008196	WPS-1-B-25-150-00000-G-S-0-0-0	50008212	WPS-1-B-25-500-00000-G-S-0-0-0
50008197	WPS-1-B-25-150-00000-G-S-A-0-0	50008213	WPS-1-B-25-500-00000-G-S-A-0-0

Supplying & Feeding / Pump Systems

WPS BASIC

Item number	Order Code	Item number	Order Code
50008410	WPS-1-B-25-000-FP201-0-0-0-0-0	50008452	WPS-1-B-25-150-FP201-0-S-0-0-0
50008411	WPS-1-B-25-000-FP201-0-0-A-0-0	50008453	WPS-1-B-25-150-FP201-0-S-A-0-0
50008412	WPS-1-B-25-000-FP201-0-S-0-0-0	50008454	WPS-1-B-25-150-FP201-G-0-0-0-0
50008413	WPS-1-B-25-000-FP201-0-S-A-0-0	50008455	WPS-1-B-25-150-FP201-G-0-A-0-0
50008414	WPS-1-B-25-000-FP201-G-0-0-0-0	50008456	WPS-1-B-25-150-FP201-G-S-0-0-0
50008415	WPS-1-B-25-000-FP201-G-0-A-0-0	50008457	WPS-1-B-25-150-FP201-G-S-A-0-0
50008416	WPS-1-B-25-000-FP201-G-S-0-0-0	50008458	WPS-1-B-25-150-FP202-0-0-0-0-0
50008417	WPS-1-B-25-000-FP201-G-S-A-0-0	50008459	WPS-1-B-25-150-FP202-0-0-A-0-0
50008418	WPS-1-B-25-000-FP202-0-0-0-0-0	50008460	WPS-1-B-25-150-FP202-0-S-0-0-0
50008419	WPS-1-B-25-000-FP202-0-0-A-0-0	50008461	WPS-1-B-25-150-FP202-0-S-A-0-0
50008420	WPS-1-B-25-000-FP202-0-S-0-0-0	50008462	WPS-1-B-25-150-FP202-G-0-0-0-0
50008421	WPS-1-B-25-000-FP202-0-S-A-0-0	50008463	WPS-1-B-25-150-FP202-G-0-A-0-0
50008422	WPS-1-B-25-000-FP202-G-0-0-0-0	50008464	WPS-1-B-25-150-FP202-G-S-0-0-0
50008423	WPS-1-B-25-000-FP202-G-0-A-0-0	50008465	WPS-1-B-25-150-FP202-G-S-A-0-0
50008424	WPS-1-B-25-000-FP202-G-S-0-0-0	50008466	WPS-1-B-25-150-FP203-0-0-0-0-0
50008425	WPS-1-B-25-000-FP202-G-S-A-0-0	50008467	WPS-1-B-25-150-FP203-0-0-A-0-0
50008426	WPS-1-B-25-000-FP203-0-0-0-0-0	50008468	WPS-1-B-25-150-FP203-0-S-0-0-0
50008427	WPS-1-B-25-000-FP203-0-0-A-0-0	50008469	WPS-1-B-25-150-FP203-0-S-A-0-0
50008428	WPS-1-B-25-000-FP203-0-S-0-0-0	50008470	WPS-1-B-25-150-FP203-G-0-0-0-0
50008429	WPS-1-B-25-000-FP203-0-S-A-0-0	50008471	WPS-1-B-25-150-FP203-G-0-A-0-0
50008430	WPS-1-B-25-000-FP203-G-0-0-0-0	50008472	WPS-1-B-25-150-FP203-G-S-0-0-0
50008431	WPS-1-B-25-000-FP203-G-0-A-0-0	50008473	WPS-1-B-25-150-FP203-G-S-A-0-0
50008432	WPS-1-B-25-000-FP203-G-S-0-0-0	50008474	WPS-1-B-25-150-FP100-0-0-0-0-0
50008433	WPS-1-B-25-000-FP203-G-S-A-0-0	50008475	WPS-1-B-25-150-FP100-0-0-A-0-0
50008434	WPS-1-B-25-000-FP100-0-0-0-0-0	50008476	WPS-1-B-25-150-FP100-0-S-0-0-0
50008435	WPS-1-B-25-000-FP100-0-0-A-0-0	50008477	WPS-1-B-25-150-FP100-0-S-A-0-0
50008436	WPS-1-B-25-000-FP100-0-S-0-0-0	50008478	WPS-1-B-25-150-FP100-G-0-0-0-0
50008437	WPS-1-B-25-000-FP100-0-S-A-0-0	50008479	WPS-1-B-25-150-FP100-G-0-A-0-0
50008438	WPS-1-B-25-000-FP100-G-0-0-0-0	50008480	WPS-1-B-25-150-FP100-G-S-0-0-0
50008439	WPS-1-B-25-000-FP100-G-0-A-0-0	50008481	WPS-1-B-25-150-FP100-G-S-A-0-0
50008440	WPS-1-B-25-000-FP100-G-S-0-0-0	50008482	WPS-1-B-25-150-FP101-0-0-0-0-0
50008441	WPS-1-B-25-000-FP100-G-S-A-0-0	50008483	WPS-1-B-25-150-FP101-0-0-A-0-0
50008442	WPS-1-B-25-000-FP101-0-0-0-0-0	50008484	WPS-1-B-25-150-FP101-0-S-0-0-0
50008443	WPS-1-B-25-000-FP101-0-0-A-0-0	50008485	WPS-1-B-25-150-FP101-0-S-A-0-0
50008444	WPS-1-B-25-000-FP101-0-S-0-0-0	50008486	WPS-1-B-25-150-FP101-G-0-0-0-0
50008445	WPS-1-B-25-000-FP101-0-S-A-0-0	50008487	WPS-1-B-25-150-FP101-G-0-A-0-0
50008446	WPS-1-B-25-000-FP101-G-0-0-0-0	50008488	WPS-1-B-25-150-FP101-G-S-0-0-0
50008447	WPS-1-B-25-000-FP101-G-0-A-0-0	50008489	WPS-1-B-25-150-FP101-G-S-A-0-0
50008448	WPS-1-B-25-000-FP101-G-S-0-0-0	50008490	WPS-1-B-25-300-FP201-0-0-0-0-0
50008449	WPS-1-B-25-000-FP101-G-S-A-0-0	50008491	WPS-1-B-25-300-FP201-0-0-A-0-0
50008450	WPS-1-B-25-150-FP201-0-0-0-0-0	50008492	WPS-1-B-25-300-FP201-0-S-0-0-0
50008451	WPS-1-B-25-150-FP201-0-0-A-0-0	50008493	WPS-1-B-25-300-FP201-0-S-A-0-0

Supplying & Feeding / Pump Systems

WPS BASIC

Item number	Order Code	Item number	Order Code
50008494	WPS-1-B-25-300-FP201-G-0-0-0-0	50008536	WPS-1-B-25-500-FP201-G-S-0-0-0
50008495	WPS-1-B-25-300-FP201-G-0-A-0-0	50008537	WPS-1-B-25-500-FP201-G-S-A-0-0
50008496	WPS-1-B-25-300-FP201-G-S-0-0-0	50008538	WPS-1-B-25-500-FP202-0-0-0-0-0
50008497	WPS-1-B-25-300-FP201-G-S-A-0-0	50008539	WPS-1-B-25-500-FP202-0-0-A-0-0
50008498	WPS-1-B-25-300-FP202-0-0-0-0-0	50008540	WPS-1-B-25-500-FP202-0-S-0-0-0
50008499	WPS-1-B-25-300-FP202-0-0-A-0-0	50008541	WPS-1-B-25-500-FP202-0-S-A-0-0
50008500	WPS-1-B-25-300-FP202-0-S-0-0-0	50008542	WPS-1-B-25-500-FP202-G-0-0-0-0
50008501	WPS-1-B-25-300-FP202-0-S-A-0-0	50008543	WPS-1-B-25-500-FP202-G-0-A-0-0
50008502	WPS-1-B-25-300-FP202-G-0-0-0-0	50008544	WPS-1-B-25-500-FP202-G-S-0-0-0
50008503	WPS-1-B-25-300-FP202-G-0-A-0-0	50008545	WPS-1-B-25-500-FP202-G-S-A-0-0
50008504	WPS-1-B-25-300-FP202-G-S-0-0-0	50008546	WPS-1-B-25-500-FP203-0-0-0-0-0
50008505	WPS-1-B-25-300-FP202-G-S-A-0-0	50008547	WPS-1-B-25-500-FP203-0-0-A-0-0
50008506	WPS-1-B-25-300-FP203-0-0-0-0-0	50008548	WPS-1-B-25-500-FP203-0-S-0-0-0
50008507	WPS-1-B-25-300-FP203-0-0-A-0-0	50008549	WPS-1-B-25-500-FP203-0-S-A-0-0
50008508	WPS-1-B-25-300-FP203-0-S-0-0-0	50008550	WPS-1-B-25-500-FP203-G-0-0-0-0
50008509	WPS-1-B-25-300-FP203-0-S-A-0-0	50008551	WPS-1-B-25-500-FP203-G-0-A-0-0
50008510	WPS-1-B-25-300-FP203-G-0-0-0-0	50008552	WPS-1-B-25-500-FP203-G-S-0-0-0
50008511	WPS-1-B-25-300-FP203-G-0-A-0-0	50008553	WPS-1-B-25-500-FP203-G-S-A-0-0
50008512	WPS-1-B-25-300-FP203-G-S-0-0-0	50008554	WPS-1-B-25-500-FPI00-0-0-0-0-0
50008513	WPS-1-B-25-300-FP203-G-S-A-0-0	50008555	WPS-1-B-25-500-FPI00-0-0-A-0-0
50008514	WPS-1-B-25-300-FPI00-0-0-0-0-0	50008556	WPS-1-B-25-500-FPI00-0-S-0-0-0
50008515	WPS-1-B-25-300-FPI00-0-0-A-0-0	50008557	WPS-1-B-25-500-FPI00-0-S-A-0-0
50008516	WPS-1-B-25-300-FPI00-0-S-0-0-0	50008558	WPS-1-B-25-500-FPI00-G-0-0-0-0
50008517	WPS-1-B-25-300-FPI00-0-S-A-0-0	50008559	WPS-1-B-25-500-FPI00-G-0-A-0-0
50008518	WPS-1-B-25-300-FPI00-G-0-0-0-0	50008560	WPS-1-B-25-500-FPI00-G-S-0-0-0
50008519	WPS-1-B-25-300-FPI00-G-0-A-0-0	50008561	WPS-1-B-25-500-FPI00-G-S-A-0-0
50008520	WPS-1-B-25-300-FPI00-G-S-0-0-0	50008562	WPS-1-B-25-500-FPI01-0-0-0-0-0
50008521	WPS-1-B-25-300-FPI00-G-S-A-0-0	50008563	WPS-1-B-25-500-FPI01-0-0-A-0-0
50008522	WPS-1-B-25-300-FPI01-0-0-0-0-0	50008564	WPS-1-B-25-500-FPI01-0-S-0-0-0
50008523	WPS-1-B-25-300-FPI01-0-0-A-0-0	50008565	WPS-1-B-25-500-FPI01-0-S-A-0-0
50008524	WPS-1-B-25-300-FPI01-0-S-0-0-0	50008566	WPS-1-B-25-500-FPI01-G-0-0-0-0
50008525	WPS-1-B-25-300-FPI01-0-S-A-0-0	50008567	WPS-1-B-25-500-FPI01-G-0-A-0-0
50008526	WPS-1-B-25-300-FPI01-G-0-0-0-0	50008568	WPS-1-B-25-500-FPI01-G-S-0-0-0
50008527	WPS-1-B-25-300-FPI01-G-0-A-0-0	50008569	WPS-1-B-25-500-FPI01-G-S-A-0-0
50008528	WPS-1-B-25-300-FPI01-G-S-0-0-0	50005289	WPS-2-B-25-150-00000-0-0-0-0-0
50008529	WPS-1-B-25-300-FPI01-G-S-A-0-0	50005290	WPS-2-B-25-150-00000-0-0-A-0-0
50008530	WPS-1-B-25-500-FP201-0-0-0-0-0	50005291	WPS-2-B-25-150-00000-0-S-0-0-0
50008531	WPS-1-B-25-500-FP201-0-0-A-0-0	50005292	WPS-2-B-25-150-00000-0-S-A-0-0
50008532	WPS-1-B-25-500-FP201-0-S-0-0-0	50005293	WPS-2-B-25-150-00000-G-0-0-0-0
50008533	WPS-1-B-25-500-FP201-0-S-A-0-0	50005294	WPS-2-B-25-150-00000-G-0-A-0-0
50008534	WPS-1-B-25-500-FP201-G-0-0-0-0	50005295	WPS-2-B-25-150-00000-G-S-0-0-0
50008535	WPS-1-B-25-500-FP201-G-0-A-0-0	50005296	WPS-2-B-25-150-00000-G-S-A-0-0

Supplying & Feeding / Pump Systems

WPS BASIC

Item number	Order Code	Item number	Order Code
50005297	WPS-2-B-25-150-FPI00-0-0-0-0-0	50005339	WPS-2-B-25-300-FPI00-0-S-0-0-0
50005298	WPS-2-B-25-150-FPI00-0-0-A-0-0	50005340	WPS-2-B-25-300-FPI00-0-S-A-0-0
50005299	WPS-2-B-25-150-FPI00-0-S-0-0-0	50005341	WPS-2-B-25-300-FPI00-G-0-0-0-0
50005300	WPS-2-B-25-150-FPI00-0-S-A-0-0	50005342	WPS-2-B-25-300-FPI00-G-0-A-0-0
50005301	WPS-2-B-25-150-FPI00-G-0-0-0-0	50005343	WPS-2-B-25-300-FPI00-G-S-0-0-0
50005302	WPS-2-B-25-150-FPI00-G-0-A-0-0	50005344	WPS-2-B-25-300-FPI00-G-S-A-0-0
50005303	WPS-2-B-25-150-FPI00-G-S-0-0-0	50005345	WPS-2-B-25-300-FPI01-0-0-0-0-0
50005304	WPS-2-B-25-150-FPI00-G-S-A-0-0	50005346	WPS-2-B-25-300-FPI01-0-0-A-0-0
50005305	WPS-2-B-25-150-FPI01-0-0-0-0-0	50005347	WPS-2-B-25-300-FPI01-0-S-0-0-0
50005306	WPS-2-B-25-150-FPI01-0-0-A-0-0	50005348	WPS-2-B-25-300-FPI01-0-S-A-0-0
50005307	WPS-2-B-25-150-FPI01-0-S-0-0-0	50005349	WPS-2-B-25-300-FPI01-G-0-0-0-0
50005308	WPS-2-B-25-150-FPI01-0-S-A-0-0	50005350	WPS-2-B-25-300-FPI01-G-0-A-0-0
50005309	WPS-2-B-25-150-FPI01-G-0-0-0-0	50005351	WPS-2-B-25-300-FPI01-G-S-0-0-0
50005310	WPS-2-B-25-150-FPI01-G-0-A-0-0	50005352	WPS-2-B-25-300-FPI01-G-S-A-0-0
50005311	WPS-2-B-25-150-FPI01-G-S-0-0-0	50005353	WPS-2-B-25-300-FPI02-0-0-0-0-0
50005312	WPS-2-B-25-150-FPI01-G-S-A-0-0	50005354	WPS-2-B-25-300-FPI02-0-0-A-0-0
50005313	WPS-2-B-25-150-FPI02-0-0-0-0-0	50005355	WPS-2-B-25-300-FPI02-0-S-0-0-0
50005314	WPS-2-B-25-150-FPI02-0-0-A-0-0	50005356	WPS-2-B-25-300-FPI02-0-S-A-0-0
50005315	WPS-2-B-25-150-FPI02-0-S-0-0-0	50005357	WPS-2-B-25-300-FPI02-G-0-0-0-0
50005316	WPS-2-B-25-150-FPI02-0-S-A-0-0	50005358	WPS-2-B-25-300-FPI02-G-0-A-0-0
50005317	WPS-2-B-25-150-FPI02-G-0-0-0-0	50005359	WPS-2-B-25-300-FPI02-G-S-0-0-0
50005318	WPS-2-B-25-150-FPI02-G-0-A-0-0	50005360	WPS-2-B-25-300-FPI02-G-S-A-0-0
50005319	WPS-2-B-25-150-FPI02-G-S-0-0-0	50005361	WPS-2-B-25-300-FPI03-0-0-0-0-0
50005320	WPS-2-B-25-150-FPI02-G-S-A-0-0	50005362	WPS-2-B-25-300-FPI03-0-0-A-0-0
50005321	WPS-2-B-25-150-FPI03-0-0-0-0-0	50005363	WPS-2-B-25-300-FPI03-0-S-0-0-0
50005322	WPS-2-B-25-150-FPI03-0-0-A-0-0	50005364	WPS-2-B-25-300-FPI03-0-S-A-0-0
50005323	WPS-2-B-25-150-FPI03-0-S-0-0-0	50005365	WPS-2-B-25-300-FPI03-G-0-0-0-0
50005324	WPS-2-B-25-150-FPI03-0-S-A-0-0	50005366	WPS-2-B-25-300-FPI03-G-0-A-0-0
50005325	WPS-2-B-25-150-FPI03-G-0-0-0-0	50005367	WPS-2-B-25-300-FPI03-G-S-0-0-0
50005326	WPS-2-B-25-150-FPI03-G-0-A-0-0	50005368	WPS-2-B-25-300-FPI03-G-S-A-0-0
50005327	WPS-2-B-25-150-FPI03-G-S-0-0-0	50005369	WPS-2-B-25-500-00000-0-0-0-0-0
50005328	WPS-2-B-25-150-FPI03-G-S-A-0-0	50005370	WPS-2-B-25-500-00000-0-0-A-0-0
50005329	WPS-2-B-25-300-00000-0-0-0-0-0	50005371	WPS-2-B-25-500-00000-0-S-0-0-0
50005330	WPS-2-B-25-300-00000-0-0-A-0-0	50005372	WPS-2-B-25-500-00000-0-S-A-0-0
50005331	WPS-2-B-25-300-00000-0-S-0-0-0	50005373	WPS-2-B-25-500-00000-G-0-0-0-0
50005332	WPS-2-B-25-300-00000-0-S-A-0-0	50005374	WPS-2-B-25-500-00000-G-0-A-0-0
50005333	WPS-2-B-25-300-00000-G-0-0-0-0	50005375	WPS-2-B-25-500-00000-G-S-0-0-0
50005334	WPS-2-B-25-300-00000-G-0-A-0-0	50005376	WPS-2-B-25-500-00000-G-S-A-0-0
50005335	WPS-2-B-25-300-00000-G-S-0-0-0	50005377	WPS-2-B-25-500-FPI00-0-0-0-0-0
50005336	WPS-2-B-25-300-00000-G-S-A-0-0	50005378	WPS-2-B-25-500-FPI00-0-0-A-0-0
50005337	WPS-2-B-25-300-FPI00-0-0-0-0-0	50005379	WPS-2-B-25-500-FPI00-0-S-0-0-0
50005338	WPS-2-B-25-300-FPI00-0-0-A-0-0	50005380	WPS-2-B-25-500-FPI00-0-S-A-0-0

Supplying & Feeding / Pump Systems

WPS BASIC

Item number	Order Code	Item number	Order Code
50005381	WPS-2-B-25-500-FPI00-G-0-0-0-0	50005645	WPS-3-B-25-150-FPI00-G-S-0-0-0
50005382	WPS-2-B-25-500-FPI00-G-0-A-0-0	50005646	WPS-3-B-25-150-FPI00-G-S-A-0-0
50005383	WPS-2-B-25-500-FPI00-G-S-0-0-0	50005647	WPS-3-B-25-150-FPI01-0-0-0-0-0
50005384	WPS-2-B-25-500-FPI00-G-S-A-0-0	50005648	WPS-3-B-25-150-FPI01-0-0-A-0-0
50005385	WPS-2-B-25-500-FPI01-0-0-0-0-0	50005649	WPS-3-B-25-150-FPI01-0-S-0-0-0
50005386	WPS-2-B-25-500-FPI01-0-0-A-0-0	50005650	WPS-3-B-25-150-FPI01-0-S-A-0-0
50005387	WPS-2-B-25-500-FPI01-0-S-0-0-0	50005651	WPS-3-B-25-150-FPI01-G-0-0-0-0
50005388	WPS-2-B-25-500-FPI01-0-S-A-0-0	50005652	WPS-3-B-25-150-FPI01-G-0-A-0-0
50005389	WPS-2-B-25-500-FPI01-G-0-0-0-0	50005653	WPS-3-B-25-150-FPI01-G-S-0-0-0
50005390	WPS-2-B-25-500-FPI01-G-0-A-0-0	50005654	WPS-3-B-25-150-FPI01-G-S-A-0-0
50005391	WPS-2-B-25-500-FPI01-G-S-0-0-0	50005655	WPS-3-B-25-150-FPI02-0-0-0-0-0
50005392	WPS-2-B-25-500-FPI01-G-S-A-0-0	50005656	WPS-3-B-25-150-FPI02-0-0-A-0-0
50005393	WPS-2-B-25-500-FPI02-0-0-0-0-0	50005657	WPS-3-B-25-150-FPI02-0-S-0-0-0
50005394	WPS-2-B-25-500-FPI02-0-0-A-0-0	50005658	WPS-3-B-25-150-FPI02-0-S-A-0-0
50005395	WPS-2-B-25-500-FPI02-0-S-0-0-0	50005659	WPS-3-B-25-150-FPI02-G-0-0-0-0
50005396	WPS-2-B-25-500-FPI02-0-S-A-0-0	50005660	WPS-3-B-25-150-FPI02-G-0-A-0-0
50005397	WPS-2-B-25-500-FPI02-G-0-0-0-0	50005661	WPS-3-B-25-150-FPI02-G-S-0-0-0
50005398	WPS-2-B-25-500-FPI02-G-0-A-0-0	50005662	WPS-3-B-25-150-FPI02-G-S-A-0-0
50005399	WPS-2-B-25-500-FPI02-G-S-0-0-0	50005663	WPS-3-B-25-150-FPI03-0-0-0-0-0
50005400	WPS-2-B-25-500-FPI02-G-S-A-0-0	50005664	WPS-3-B-25-150-FPI03-0-0-A-0-0
50005401	WPS-2-B-25-500-FPI03-0-0-0-0-0	50005665	WPS-3-B-25-150-FPI03-0-S-0-0-0
50005402	WPS-2-B-25-500-FPI03-0-0-A-0-0	50005666	WPS-3-B-25-150-FPI03-0-S-A-0-0
50005403	WPS-2-B-25-500-FPI03-0-S-0-0-0	50005667	WPS-3-B-25-150-FPI03-G-0-0-0-0
50005404	WPS-2-B-25-500-FPI03-0-S-A-0-0	50005668	WPS-3-B-25-150-FPI03-G-0-A-0-0
50005405	WPS-2-B-25-500-FPI03-G-0-0-0-0	50005669	WPS-3-B-25-150-FPI03-G-S-0-0-0
50005406	WPS-2-B-25-500-FPI03-G-0-A-0-0	50005670	WPS-3-B-25-150-FPI03-G-S-A-0-0
50005407	WPS-2-B-25-500-FPI03-G-S-0-0-0	50005671	WPS-3-B-25-150-FPI04-0-0-0-0-0
50005408	WPS-2-B-25-500-FPI03-G-S-A-0-0	50005672	WPS-3-B-25-150-FPI04-0-0-A-0-0
50005631	WPS-3-B-25-150-00000-0-0-0-0-0	50005673	WPS-3-B-25-150-FPI04-0-S-0-0-0
50005632	WPS-3-B-25-150-00000-0-0-A-0-0	50005674	WPS-3-B-25-150-FPI04-0-S-A-0-0
50005633	WPS-3-B-25-150-00000-0-S-0-0-0	50005675	WPS-3-B-25-150-FPI04-G-0-0-0-0
50005634	WPS-3-B-25-150-00000-0-S-A-0-0	50005676	WPS-3-B-25-150-FPI04-G-0-A-0-0
50005635	WPS-3-B-25-150-00000-G-0-0-0-0	50005677	WPS-3-B-25-150-FPI04-G-S-0-0-0
50005636	WPS-3-B-25-150-00000-G-0-A-0-0	50005678	WPS-3-B-25-150-FPI04-G-S-A-0-0
50005637	WPS-3-B-25-150-00000-G-S-0-0-0	50005679	WPS-3-B-25-300-00000-0-0-0-0-0
50005638	WPS-3-B-25-150-00000-G-S-A-0-0	50005680	WPS-3-B-25-300-00000-0-0-A-0-0
50005639	WPS-3-B-25-150-FPI00-0-0-0-0-0	50005681	WPS-3-B-25-300-00000-0-S-0-0-0
50005640	WPS-3-B-25-150-FPI00-0-0-A-0-0	50005682	WPS-3-B-25-300-00000-0-S-A-0-0
50005641	WPS-3-B-25-150-FPI00-0-S-0-0-0	50005683	WPS-3-B-25-300-00000-G-0-0-0-0
50005642	WPS-3-B-25-150-FPI00-0-S-A-0-0	50005684	WPS-3-B-25-300-00000-G-0-A-0-0
50005643	WPS-3-B-25-150-FPI00-G-0-0-0-0	50005685	WPS-3-B-25-300-00000-G-S-0-0-0
50005644	WPS-3-B-25-150-FPI00-G-0-A-0-0	50005686	WPS-3-B-25-300-00000-G-S-A-0-0

Supplying & Feeding / Pump Systems

WPS BASIC

Item number	Order Code	Item number	Order Code
50005687	WPS-3-B-25-300-FPI00-0-0-0-0-0	50005729	WPS-3-B-25-500-00000-0-S-0-0-0
50005688	WPS-3-B-25-300-FPI00-0-0-A-0-0	50005730	WPS-3-B-25-500-00000-0-S-A-0-0
50005689	WPS-3-B-25-300-FPI00-0-S-0-0-0	50005731	WPS-3-B-25-500-00000-G-0-0-0-0
50005690	WPS-3-B-25-300-FPI00-0-S-A-0-0	50005732	WPS-3-B-25-500-00000-G-0-A-0-0
50005691	WPS-3-B-25-300-FPI00-G-0-0-0-0	50005733	WPS-3-B-25-500-00000-G-S-0-0-0
50005692	WPS-3-B-25-300-FPI00-G-0-A-0-0	50005734	WPS-3-B-25-500-00000-G-S-A-0-0
50005693	WPS-3-B-25-300-FPI00-G-S-0-0-0	50005735	WPS-3-B-25-500-FPI00-0-0-0-0-0
50005694	WPS-3-B-25-300-FPI00-G-S-A-0-0	50005736	WPS-3-B-25-500-FPI00-0-0-A-0-0
50005695	WPS-3-B-25-300-FPI01-0-0-0-0-0	50005737	WPS-3-B-25-500-FPI00-0-S-0-0-0
50005696	WPS-3-B-25-300-FPI01-0-0-A-0-0	50005738	WPS-3-B-25-500-FPI00-0-S-A-0-0
50005697	WPS-3-B-25-300-FPI01-0-S-0-0-0	50005739	WPS-3-B-25-500-FPI00-G-0-0-0-0
50005698	WPS-3-B-25-300-FPI01-0-S-A-0-0	50005740	WPS-3-B-25-500-FPI00-G-0-A-0-0
50005699	WPS-3-B-25-300-FPI01-G-0-0-0-0	50005741	WPS-3-B-25-500-FPI00-G-S-0-0-0
50005700	WPS-3-B-25-300-FPI01-G-0-A-0-0	50005742	WPS-3-B-25-500-FPI00-G-S-A-0-0
50005701	WPS-3-B-25-300-FPI01-G-S-0-0-0	50005743	WPS-3-B-25-500-FPI01-0-0-0-0-0
50005702	WPS-3-B-25-300-FPI01-G-S-A-0-0	50005744	WPS-3-B-25-500-FPI01-0-0-A-0-0
50005703	WPS-3-B-25-300-FPI02-0-0-0-0-0	50005745	WPS-3-B-25-500-FPI01-0-S-0-0-0
50005704	WPS-3-B-25-300-FPI02-0-0-A-0-0	50005746	WPS-3-B-25-500-FPI01-0-S-A-0-0
50005705	WPS-3-B-25-300-FPI02-0-S-0-0-0	50005747	WPS-3-B-25-500-FPI01-G-0-0-0-0
50005706	WPS-3-B-25-300-FPI02-0-S-A-0-0	50005748	WPS-3-B-25-500-FPI01-G-0-A-0-0
50005707	WPS-3-B-25-300-FPI02-G-0-0-0-0	50005749	WPS-3-B-25-500-FPI01-G-S-0-0-0
50005708	WPS-3-B-25-300-FPI02-G-0-A-0-0	50005750	WPS-3-B-25-500-FPI01-G-S-A-0-0
50005709	WPS-3-B-25-300-FPI02-G-S-0-0-0	50005751	WPS-3-B-25-500-FPI02-0-0-0-0-0
50005710	WPS-3-B-25-300-FPI02-G-S-A-0-0	50005752	WPS-3-B-25-500-FPI02-0-0-A-0-0
50005711	WPS-3-B-25-300-FPI03-0-0-0-0-0	50005753	WPS-3-B-25-500-FPI02-0-S-0-0-0
50005712	WPS-3-B-25-300-FPI03-0-0-A-0-0	50005754	WPS-3-B-25-500-FPI02-0-S-A-0-0
50005713	WPS-3-B-25-300-FPI03-0-S-0-0-0	50005755	WPS-3-B-25-500-FPI02-G-0-0-0-0
50005714	WPS-3-B-25-300-FPI03-0-S-A-0-0	50005756	WPS-3-B-25-500-FPI02-G-0-A-0-0
50005715	WPS-3-B-25-300-FPI03-G-0-0-0-0	50005757	WPS-3-B-25-500-FPI02-G-S-0-0-0
50005716	WPS-3-B-25-300-FPI03-G-0-A-0-0	50005758	WPS-3-B-25-500-FPI02-G-S-A-0-0
50005717	WPS-3-B-25-300-FPI03-G-S-0-0-0	50005759	WPS-3-B-25-500-FPI03-0-0-0-0-0
50005718	WPS-3-B-25-300-FPI03-G-S-A-0-0	50005760	WPS-3-B-25-500-FPI03-0-0-A-0-0
50005719	WPS-3-B-25-300-FPI04-0-0-0-0-0	50005761	WPS-3-B-25-500-FPI03-0-S-0-0-0
50005720	WPS-3-B-25-300-FPI04-0-0-A-0-0	50005762	WPS-3-B-25-500-FPI03-0-S-A-0-0
50005721	WPS-3-B-25-300-FPI04-0-S-0-0-0	50005763	WPS-3-B-25-500-FPI03-G-0-0-0-0
50005722	WPS-3-B-25-300-FPI04-0-S-A-0-0	50005764	WPS-3-B-25-500-FPI03-G-0-A-0-0
50005723	WPS-3-B-25-300-FPI04-G-0-0-0-0	50005765	WPS-3-B-25-500-FPI03-G-S-0-0-0
50005724	WPS-3-B-25-300-FPI04-G-0-A-0-0	50005766	WPS-3-B-25-500-FPI03-G-S-A-0-0
50005725	WPS-3-B-25-300-FPI04-G-S-0-0-0	50005767	WPS-3-B-25-500-FPI04-0-0-0-0-0
50005726	WPS-3-B-25-300-FPI04-G-S-A-0-0	50005768	WPS-3-B-25-500-FPI04-0-0-A-0-0
50005727	WPS-3-B-25-500-00000-0-0-0-0-0	50005769	WPS-3-B-25-500-FPI04-0-S-0-0-0
50005728	WPS-3-B-25-500-00000-0-0-A-0-0	50005770	WPS-3-B-25-500-FPI04-0-S-A-0-0

Supplying & Feeding / Pump Systems

WPS BASIC

Item number	Order Code	Item number	Order Code
50005771	WPS-3-B-25-500-FPI04-G-0-0-0-0	50006574	WPS-2-B-25-000-FPI03-G-S-0-0-0
50005772	WPS-3-B-25-500-FPI04-G-0-A-0-0	50006576	WPS-2-B-25-000-FPI03-G-S-A-0-0
50005773	WPS-3-B-25-500-FPI04-G-S-0-0-0	50006658	WPS-3-B-25-000-00000-0-0-0-0-0
50005774	WPS-3-B-25-500-FPI04-G-S-A-0-0	50006660	WPS-3-B-25-000-00000-0-0-A-0-0
50006498	WPS-2-B-25-000-00000-0-0-0-0-0	50006662	WPS-3-B-25-000-00000-0-S-0-0-0
50006500	WPS-2-B-25-000-00000-0-0-A-0-0	50006664	WPS-3-B-25-000-00000-0-S-A-0-0
50006502	WPS-2-B-25-000-00000-0-S-0-0-0	50006666	WPS-3-B-25-000-00000-G-0-0-0-0
50006504	WPS-2-B-25-000-00000-0-S-A-0-0	50006668	WPS-3-B-25-000-00000-G-0-A-0-0
50006506	WPS-2-B-25-000-00000-G-0-0-0-0	50006670	WPS-3-B-25-000-00000-G-S-0-0-0
50006508	WPS-2-B-25-000-00000-G-0-A-0-0	50006672	WPS-3-B-25-000-00000-G-S-A-0-0
50006510	WPS-2-B-25-000-00000-G-S-0-0-0	50006674	WPS-3-B-25-000-FPI00-0-0-0-0-0
50006512	WPS-2-B-25-000-00000-G-S-A-0-0	50006676	WPS-3-B-25-000-FPI00-0-0-A-0-0
50006514	WPS-2-B-25-000-FPI00-0-0-0-0-0	50006678	WPS-3-B-25-000-FPI00-0-S-0-0-0
50006516	WPS-2-B-25-000-FPI00-0-0-A-0-0	50006680	WPS-3-B-25-000-FPI00-0-S-A-0-0
50006518	WPS-2-B-25-000-FPI00-0-S-0-0-0	50006682	WPS-3-B-25-000-FPI00-G-0-0-0-0
50006520	WPS-2-B-25-000-FPI00-0-S-A-0-0	50006684	WPS-3-B-25-000-FPI00-G-0-A-0-0
50006522	WPS-2-B-25-000-FPI00-G-0-0-0-0	50006686	WPS-3-B-25-000-FPI00-G-S-0-0-0
50006524	WPS-2-B-25-000-FPI00-G-0-A-0-0	50006688	WPS-3-B-25-000-FPI00-G-S-A-0-0
50006526	WPS-2-B-25-000-FPI00-G-S-0-0-0	50006690	WPS-3-B-25-000-FPI01-0-0-0-0-0
50006528	WPS-2-B-25-000-FPI00-G-S-A-0-0	50006692	WPS-3-B-25-000-FPI01-0-0-A-0-0
50006530	WPS-2-B-25-000-FPI01-0-0-0-0-0	50006694	WPS-3-B-25-000-FPI01-0-S-0-0-0
50006532	WPS-2-B-25-000-FPI01-0-0-A-0-0	50006696	WPS-3-B-25-000-FPI01-0-S-A-0-0
50006534	WPS-2-B-25-000-FPI01-0-S-0-0-0	50006698	WPS-3-B-25-000-FPI01-G-0-0-0-0
50006536	WPS-2-B-25-000-FPI01-0-S-A-0-0	50006700	WPS-3-B-25-000-FPI01-G-0-A-0-0
50006538	WPS-2-B-25-000-FPI01-G-0-0-0-0	50006702	WPS-3-B-25-000-FPI01-G-S-0-0-0
50006540	WPS-2-B-25-000-FPI01-G-0-A-0-0	50006704	WPS-3-B-25-000-FPI01-G-S-A-0-0
50006542	WPS-2-B-25-000-FPI01-G-S-0-0-0	50006706	WPS-3-B-25-000-FPI02-0-0-0-0-0
50006544	WPS-2-B-25-000-FPI01-G-S-A-0-0	50006708	WPS-3-B-25-000-FPI02-0-0-A-0-0
50006546	WPS-2-B-25-000-FPI02-0-0-0-0-0	50006710	WPS-3-B-25-000-FPI02-0-S-0-0-0
50006548	WPS-2-B-25-000-FPI02-0-0-A-0-0	50006712	WPS-3-B-25-000-FPI02-0-S-A-0-0
50006550	WPS-2-B-25-000-FPI02-0-S-0-0-0	50006714	WPS-3-B-25-000-FPI02-G-0-0-0-0
50006552	WPS-2-B-25-000-FPI02-0-S-A-0-0	50006716	WPS-3-B-25-000-FPI02-G-0-A-0-0
50006554	WPS-2-B-25-000-FPI02-G-0-0-0-0	50006718	WPS-3-B-25-000-FPI02-G-S-0-0-0
50006556	WPS-2-B-25-000-FPI02-G-0-A-0-0	50006720	WPS-3-B-25-000-FPI02-G-S-A-0-0
50006558	WPS-2-B-25-000-FPI02-G-S-0-0-0	50006722	WPS-3-B-25-000-FPI03-0-0-0-0-0
50006560	WPS-2-B-25-000-FPI02-G-S-A-0-0	50006724	WPS-3-B-25-000-FPI03-0-0-A-0-0
50006562	WPS-2-B-25-000-FPI03-0-0-0-0-0	50006726	WPS-3-B-25-000-FPI03-0-S-0-0-0
50006564	WPS-2-B-25-000-FPI03-0-0-A-0-0	50006728	WPS-3-B-25-000-FPI03-0-S-A-0-0
50006566	WPS-2-B-25-000-FPI03-0-S-0-0-0	50006730	WPS-3-B-25-000-FPI03-G-0-0-0-0
50006568	WPS-2-B-25-000-FPI03-0-S-A-0-0	50006732	WPS-3-B-25-000-FPI03-G-0-A-0-0
50006570	WPS-2-B-25-000-FPI03-G-0-0-0-0	50006734	WPS-3-B-25-000-FPI03-G-S-0-0-0
50006572	WPS-2-B-25-000-FPI03-G-0-A-0-0	50006736	WPS-3-B-25-000-FPI03-G-S-A-0-0

Supplying & Feeding / Pump Systems

WPS BASIC

Item number	Order Code	Item number	Order Code
50006738	WPS-3-B-25-000-FPI04-0-0-0-0-0	50006746	WPS-3-B-25-000-FPI04-G-0-0-0-0
50006740	WPS-3-B-25-000-FPI04-0-0-A-0-0	50006748	WPS-3-B-25-000-FPI04-G-0-0-A-0-0
50006742	WPS-3-B-25-000-FPI04-0-S-0-0-0	50006750	WPS-3-B-25-000-FPI04-G-S-0-0-0
50006744	WPS-3-B-25-000-FPI04-0-S-A-0-0	50006752	WPS-3-B-25-000-FPI04-G-S-A-0-0

SPARE PARTS

Item number	Order Code	Designation
50000911	WZF-150-01	Filter cartridge 150 [µm]
50000912	WZF-300-01	Filter cartridge 300 [µm]
50000913	WZF-500-01	Filter cartridge 500 [µm]
50008300		Suction system
50000798		Air motor
50010813		Sealing set Air motor
50010814		Sealing set Suction system

ACCESSORIES

Item number	Order Code	Designation
50005192	FP100	Follower plate (D=300 [mm])
50005173	FP101	Follower plate (D=344 [mm])
50005164	FP102	Follower plate (D=405 [mm])
50005087	FP103	Follower plate (D=430 [mm])
50004998	FP104	Follower plate (D=586 [mm])
50008366	FP201	Follower plate (D=103 [mm])
50008367	FP202	Follower plate (D=200 [mm])
50008368	FP203	Follower plate (D=245 [mm])
50008368	FP204	Follower plate (D=175 [mm])
5000xxxx	WST-...	Barrel hood

TECHNICAL DATA

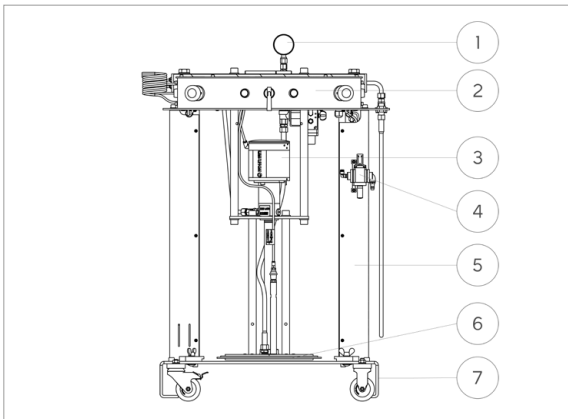
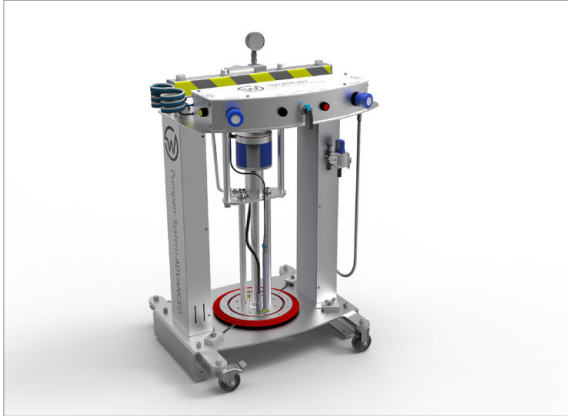
Process pressure	max 150 [bar]
Supplied volume	max. 1500 [cm ³ /min]
Container sizes	14 to 180 [l]
pneumatic inlet pressure	max.6 [bar]
Follower plate pressure	max. 6 [bar]
Weight (size 1)	xxx [kg]
Weight (size 2)	xxx [kg]
Weight (size 3)	xxx [kg]
Dimensions l x w x h (size 1)	628 x 600 x 1350 [mm]
Dimensions l x w x h (size 2)	750 x 700 x 1855 [mm]
Dimensions l x w x h (size 3)	880 x 750 x 2400 [mm]

Supplying & Feeding / Pump Systems

WPS BASIC

Supplying & Feeding / Pump Systems

WPS ADVANCED



HIGHLIGHTS

- Automatic, loss-free pressure relief of pump and fluid system after turn-off of Pump System
- as a standard, integrated filter system
- Pump system turns off automatically after complete emptying of container
- almost empty containers due to adapted follower plates
- Two-hand control for a safe lowering of the pump lifter
- follower plate pressure can be steplessly adjusted
- expandible by various options

USAGE

With the WPS Pump Systems, you can supply medium- to highly-viscous media directly from the manufacturer container. With the pump lifter, the replacement of containers is fast and does not need much effort. In the ADVANCED version, the pump system comes with a pneumatic control unit which can be remote-controlled via a digital E/A. This interface will also provide information on the filling level of the containers and the operating status.

CONSTRUCTION

- 1 Pressure gauge
- 2 Operating unit
- 3 Supply pump
- 4 Lock Valve
- 5 Frame
- 6 Follower plate
- 7 Foot

YOUR BENEFITS

- Cost-efficient pump system for professional use in automated plants and systems
- automated pressure relief below the follower plate does not result in loss of medium

Supplying & Feeding / Pump Systems

WPS ADVANCED

Item number	Order Code	Item number	Order Code
50008570	WPS-1-A-25-000-FP201-0-0-0-0-0	50008612	WPS-1-A-25-150-FP201-0-S-0-0-0
50008571	WPS-1-A-25-000-FP201-0-0-A-0-0	50008613	WPS-1-A-25-150-FP201-0-S-A-0-0
50008572	WPS-1-A-25-000-FP201-0-S-0-0-0	50008614	WPS-1-A-25-150-FP201-G-0-0-0-0
50008573	WPS-1-A-25-000-FP201-0-S-A-0-0	50008615	WPS-1-A-25-150-FP201-G-0-A-0-0
50008574	WPS-1-A-25-000-FP201-G-0-0-0-0	50008616	WPS-1-A-25-150-FP201-G-S-0-0-0
50008575	WPS-1-A-25-000-FP201-G-0-A-0-0	50008617	WPS-1-A-25-150-FP201-G-S-A-0-0
50008576	WPS-1-A-25-000-FP201-G-S-0-0-0	50008618	WPS-1-A-25-150-FP202-0-0-0-0-0
50008577	WPS-1-A-25-000-FP201-G-S-A-0-0	50008619	WPS-1-A-25-150-FP202-0-0-A-0-0
50008578	WPS-1-A-25-000-FP202-0-0-0-0-0	50008620	WPS-1-A-25-150-FP202-0-S-0-0-0
50008579	WPS-1-A-25-000-FP202-0-0-A-0-0	50008621	WPS-1-A-25-150-FP202-0-S-A-0-0
50008580	WPS-1-A-25-000-FP202-0-S-0-0-0	50008622	WPS-1-A-25-150-FP202-G-0-0-0-0
50008581	WPS-1-A-25-000-FP202-0-S-A-0-0	50008623	WPS-1-A-25-150-FP202-G-0-A-0-0
50008582	WPS-1-A-25-000-FP202-G-0-0-0-0	50008624	WPS-1-A-25-150-FP202-G-S-0-0-0
50008583	WPS-1-A-25-000-FP202-G-0-A-0-0	50008625	WPS-1-A-25-150-FP202-G-S-A-0-0
50008584	WPS-1-A-25-000-FP202-G-S-0-0-0	50008626	WPS-1-A-25-150-FP203-0-0-0-0-0
50008585	WPS-1-A-25-000-FP202-G-S-A-0-0	50008627	WPS-1-A-25-150-FP203-0-0-A-0-0
50008586	WPS-1-A-25-000-FP203-0-0-0-0-0	50008628	WPS-1-A-25-150-FP203-0-S-0-0-0
50008587	WPS-1-A-25-000-FP203-0-0-A-0-0	50008629	WPS-1-A-25-150-FP203-0-S-A-0-0
50008588	WPS-1-A-25-000-FP203-0-S-0-0-0	50008630	WPS-1-A-25-150-FP203-G-0-0-0-0
50008589	WPS-1-A-25-000-FP203-0-S-A-0-0	50008631	WPS-1-A-25-150-FP203-G-0-A-0-0
50008590	WPS-1-A-25-000-FP203-G-0-0-0-0	50008632	WPS-1-A-25-150-FP203-G-S-0-0-0
50008591	WPS-1-A-25-000-FP203-G-0-A-0-0	50008633	WPS-1-A-25-150-FP203-G-S-A-0-0
50008592	WPS-1-A-25-000-FP203-G-S-0-0-0	50008634	WPS-1-A-25-150-FP100-0-0-0-0-0
50008593	WPS-1-A-25-000-FP203-G-S-A-0-0	50008635	WPS-1-A-25-150-FP100-0-0-A-0-0
50008594	WPS-1-A-25-000-FP100-0-0-0-0-0	50008636	WPS-1-A-25-150-FP100-0-S-0-0-0
50008595	WPS-1-A-25-000-FP100-0-0-A-0-0	50008637	WPS-1-A-25-150-FP100-0-S-A-0-0
50008596	WPS-1-A-25-000-FP100-0-S-0-0-0	50008638	WPS-1-A-25-150-FP100-G-0-0-0-0
50008597	WPS-1-A-25-000-FP100-0-S-A-0-0	50008639	WPS-1-A-25-150-FP100-G-0-A-0-0
50008598	WPS-1-A-25-000-FP100-G-0-0-0-0	50008640	WPS-1-A-25-150-FP100-G-S-0-0-0
50008599	WPS-1-A-25-000-FP100-G-0-A-0-0	50008641	WPS-1-A-25-150-FP100-G-S-A-0-0
50008600	WPS-1-A-25-000-FP100-G-S-0-0-0	50008642	WPS-1-A-25-150-FP101-0-0-0-0-0
50008601	WPS-1-A-25-000-FP100-G-S-A-0-0	50008643	WPS-1-A-25-150-FP101-0-0-A-0-0
50008602	WPS-1-A-25-000-FP101-0-0-0-0-0	50008644	WPS-1-A-25-150-FP101-0-S-0-0-0
50008603	WPS-1-A-25-000-FP101-0-0-A-0-0	50008645	WPS-1-A-25-150-FP101-0-S-A-0-0
50008604	WPS-1-A-25-000-FP101-0-S-0-0-0	50008646	WPS-1-A-25-150-FP101-G-0-0-0-0
50008605	WPS-1-A-25-000-FP101-0-S-A-0-0	50008647	WPS-1-A-25-150-FP101-G-0-A-0-0
50008606	WPS-1-A-25-000-FP101-G-0-0-0-0	50008648	WPS-1-A-25-150-FP101-G-S-0-0-0
50008607	WPS-1-A-25-000-FP101-G-0-A-0-0	50008649	WPS-1-A-25-150-FP101-G-S-A-0-0
50008608	WPS-1-A-25-000-FP101-G-S-0-0-0	50008650	WPS-1-A-25-300-FP201-0-0-0-0-0
50008609	WPS-1-A-25-000-FP101-G-S-A-0-0	50008651	WPS-1-A-25-300-FP201-0-0-A-0-0
50008610	WPS-1-A-25-150-FP201-0-0-0-0-0	50008652	WPS-1-A-25-300-FP201-0-S-0-0-0
50008611	WPS-1-A-25-150-FP201-0-0-A-0-0	50008653	WPS-1-A-25-300-FP201-0-S-A-0-0

Supplying & Feeding / Pump Systems

WPS ADVANCED

Item number	Order Code	Item number	Order Code
50008654	WPS-1-A-25-300-FP201-G-0-0-0-0	50008696	WPS-1-A-25-500-FP201-G-S-0-0-0
50008655	WPS-1-A-25-300-FP201-G-0-A-0-0	50008697	WPS-1-A-25-500-FP201-G-S-A-0-0
50008656	WPS-1-A-25-300-FP201-G-S-0-0-0	50008698	WPS-1-A-25-500-FP202-0-0-0-0-0
50008657	WPS-1-A-25-300-FP201-G-S-A-0-0	50008699	WPS-1-A-25-500-FP202-0-0-A-0-0
50008658	WPS-1-A-25-300-FP202-0-0-0-0-0	50008700	WPS-1-A-25-500-FP202-0-S-0-0-0
50008659	WPS-1-A-25-300-FP202-0-0-A-0-0	50008701	WPS-1-A-25-500-FP202-0-S-A-0-0
50008660	WPS-1-A-25-300-FP202-0-S-0-0-0	50008702	WPS-1-A-25-500-FP202-G-0-0-0-0
50008661	WPS-1-A-25-300-FP202-0-S-A-0-0	50008703	WPS-1-A-25-500-FP202-G-0-A-0-0
50008662	WPS-1-A-25-300-FP202-G-0-0-0-0	50008704	WPS-1-A-25-500-FP202-G-S-0-0-0
50008663	WPS-1-A-25-300-FP202-G-0-A-0-0	50008705	WPS-1-A-25-500-FP202-G-S-A-0-0
50008664	WPS-1-A-25-300-FP202-G-S-0-0-0	50008706	WPS-1-A-25-500-FP203-0-0-0-0-0
50008665	WPS-1-A-25-300-FP202-G-S-A-0-0	50008707	WPS-1-A-25-500-FP203-0-0-A-0-0
50008666	WPS-1-A-25-300-FP203-0-0-0-0-0	50008708	WPS-1-A-25-500-FP203-0-S-0-0-0
50008667	WPS-1-A-25-300-FP203-0-0-A-0-0	50008709	WPS-1-A-25-500-FP203-0-S-A-0-0
50008668	WPS-1-A-25-300-FP203-0-S-0-0-0	50008710	WPS-1-A-25-500-FP203-G-0-0-0-0
50008669	WPS-1-A-25-300-FP203-0-S-A-0-0	50008711	WPS-1-A-25-500-FP203-G-0-A-0-0
50008670	WPS-1-A-25-300-FP203-G-0-0-0-0	50008712	WPS-1-A-25-500-FP203-G-S-0-0-0
50008671	WPS-1-A-25-300-FP203-G-0-A-0-0	50008713	WPS-1-A-25-500-FP203-G-S-A-0-0
50008672	WPS-1-A-25-300-FP203-G-S-0-0-0	50008714	WPS-1-A-25-500-FPI00-0-0-0-0-0
50008673	WPS-1-A-25-300-FP203-G-S-A-0-0	50008715	WPS-1-A-25-500-FPI00-0-0-A-0-0
50008674	WPS-1-A-25-300-FPI00-0-0-0-0-0	50008716	WPS-1-A-25-500-FPI00-0-S-0-0-0
50008675	WPS-1-A-25-300-FPI00-0-0-A-0-0	50008717	WPS-1-A-25-500-FPI00-0-S-A-0-0
50008676	WPS-1-A-25-300-FPI00-0-S-0-0-0	50008718	WPS-1-A-25-500-FPI00-G-0-0-0-0
50008677	WPS-1-A-25-300-FPI00-0-S-A-0-0	50008719	WPS-1-A-25-500-FPI00-G-0-A-0-0
50008678	WPS-1-A-25-300-FPI00-G-0-0-0-0	50008720	WPS-1-A-25-500-FPI00-G-S-0-0-0
50008679	WPS-1-A-25-300-FPI00-G-0-A-0-0	50008721	WPS-1-A-25-500-FPI00-G-S-A-0-0
50008680	WPS-1-A-25-300-FPI00-G-S-0-0-0	50008722	WPS-1-A-25-500-FPI01-0-0-0-0-0
50008681	WPS-1-A-25-300-FPI00-G-S-A-0-0	50008723	WPS-1-A-25-500-FPI01-0-0-A-0-0
50008682	WPS-1-A-25-300-FPI01-0-0-0-0-0	50008724	WPS-1-A-25-500-FPI01-0-S-0-0-0
50008683	WPS-1-A-25-300-FPI01-0-0-A-0-0	50008725	WPS-1-A-25-500-FPI01-0-S-A-0-0
50008684	WPS-1-A-25-300-FPI01-0-S-0-0-0	50008726	WPS-1-A-25-500-FPI01-G-0-0-0-0
50008685	WPS-1-A-25-300-FPI01-0-S-A-0-0	50008727	WPS-1-A-25-500-FPI01-G-0-A-0-0
50008686	WPS-1-A-25-300-FPI01-G-0-0-0-0	50008728	WPS-1-A-25-500-FPI01-G-S-0-0-0
50008687	WPS-1-A-25-300-FPI01-G-0-A-0-0	50008729	WPS-1-A-25-500-FPI01-G-S-A-0-0
50008688	WPS-1-A-25-300-FPI01-G-S-0-0-0	50005409	WPS-2-A-25-150-00000-0-0-0-0-0
50008689	WPS-1-A-25-300-FPI01-G-S-A-0-0	50005410	WPS-2-A-25-150-00000-0-0-A-0-0
50008690	WPS-1-A-25-500-FP201-0-0-0-0-0	50005411	WPS-2-A-25-150-00000-0-S-0-0-0
50008691	WPS-1-A-25-500-FP201-0-0-A-0-0	50005412	WPS-2-A-25-150-00000-0-S-A-0-0
50008692	WPS-1-A-25-500-FP201-0-S-0-0-0	50005413	WPS-2-A-25-150-00000-G-0-0-0-0
50008693	WPS-1-A-25-500-FP201-0-S-A-0-0	50005414	WPS-2-A-25-150-00000-G-0-A-0-0
50008694	WPS-1-A-25-500-FP201-G-0-0-0-0	50005415	WPS-2-A-25-150-00000-G-S-0-0-0
50008695	WPS-1-A-25-500-FP201-G-0-A-0-0	50005416	WPS-2-A-25-150-00000-G-S-A-0-0

Supplying & Feeding / Pump Systems

WPS ADVANCED

Item number	Order Code	Item number	Order Code
50005417	WPS-2-A-25-150-FPI00-0-0-0-0-0	50005459	WPS-2-A-25-300-FPI00-0-S-0-0-0
50005418	WPS-2-A-25-150-FPI00-0-0-A-0-0	50005460	WPS-2-A-25-300-FPI00-0-S-A-0-0
50005419	WPS-2-A-25-150-FPI00-0-S-0-0-0	50005461	WPS-2-A-25-300-FPI00-G-0-0-0-0
50005420	WPS-2-A-25-150-FPI00-0-S-A-0-0	50005462	WPS-2-A-25-300-FPI00-G-0-A-0-0
50005421	WPS-2-A-25-150-FPI00-G-0-0-0-0	50005463	WPS-2-A-25-300-FPI00-G-S-0-0-0
50005422	WPS-2-A-25-150-FPI00-G-0-A-0-0	50005464	WPS-2-A-25-300-FPI00-G-S-A-0-0
50005423	WPS-2-A-25-150-FPI00-G-S-0-0-0	50005465	WPS-2-A-25-300-FPI01-0-0-0-0-0
50005424	WPS-2-A-25-150-FPI00-G-S-A-0-0	50005466	WPS-2-A-25-300-FPI01-0-0-A-0-0
50005425	WPS-2-A-25-150-FPI01-0-0-0-0-0	50005467	WPS-2-A-25-300-FPI01-0-S-0-0-0
50005426	WPS-2-A-25-150-FPI01-0-0-A-0-0	50005468	WPS-2-A-25-300-FPI01-0-S-A-0-0
50005427	WPS-2-A-25-150-FPI01-0-S-0-0-0	50005469	WPS-2-A-25-300-FPI01-G-0-0-0-0
50005428	WPS-2-A-25-150-FPI01-0-S-A-0-0	50005470	WPS-2-A-25-300-FPI01-G-0-A-0-0
50005429	WPS-2-A-25-150-FPI01-G-0-0-0-0	50005471	WPS-2-A-25-300-FPI01-G-S-0-0-0
50005430	WPS-2-A-25-150-FPI01-G-0-A-0-0	50005472	WPS-2-A-25-300-FPI01-G-S-A-0-0
50005431	WPS-2-A-25-150-FPI01-G-S-0-0-0	50005473	WPS-2-A-25-300-FPI02-0-0-0-0-0
50005432	WPS-2-A-25-150-FPI01-G-S-A-0-0	50005474	WPS-2-A-25-300-FPI02-0-0-A-0-0
50005433	WPS-2-A-25-150-FPI02-0-0-0-0-0	50005475	WPS-2-A-25-300-FPI02-0-S-0-0-0
50005434	WPS-2-A-25-150-FPI02-0-0-A-0-0	50005476	WPS-2-A-25-300-FPI02-0-S-A-0-0
50005435	WPS-2-A-25-150-FPI02-0-S-0-0-0	50005477	WPS-2-A-25-300-FPI02-G-0-0-0-0
50005436	WPS-2-A-25-150-FPI02-0-S-A-0-0	50005478	WPS-2-A-25-300-FPI02-G-0-A-0-0
50005437	WPS-2-A-25-150-FPI02-G-0-0-0-0	50005479	WPS-2-A-25-300-FPI02-G-S-0-0-0
50005438	WPS-2-A-25-150-FPI02-G-0-A-0-0	50005480	WPS-2-A-25-300-FPI02-G-S-A-0-0
50005439	WPS-2-A-25-150-FPI02-G-S-0-0-0	50005481	WPS-2-A-25-300-FPI03-0-0-0-0-0
50005440	WPS-2-A-25-150-FPI02-G-S-A-0-0	50005482	WPS-2-A-25-300-FPI03-0-0-A-0-0
50005441	WPS-2-A-25-150-FPI03-0-0-0-0-0	50005483	WPS-2-A-25-300-FPI03-0-S-0-0-0
50005442	WPS-2-A-25-150-FPI03-0-0-A-0-0	50005484	WPS-2-A-25-300-FPI03-0-S-A-0-0
50005443	WPS-2-A-25-150-FPI03-0-S-0-0-0	50005485	WPS-2-A-25-300-FPI03-G-0-0-0-0
50005444	WPS-2-A-25-150-FPI03-0-S-A-0-0	50005486	WPS-2-A-25-300-FPI03-G-0-A-0-0
50005445	WPS-2-A-25-150-FPI03-G-0-0-0-0	50005487	WPS-2-A-25-300-FPI03-G-S-0-0-0
50005446	WPS-2-A-25-150-FPI03-G-0-A-0-0	50005488	WPS-2-A-25-300-FPI03-G-S-A-0-0
50005447	WPS-2-A-25-150-FPI03-G-S-0-0-0	50005489	WPS-2-A-25-500-00000-0-0-0-0-0
50005448	WPS-2-A-25-150-FPI03-G-S-A-0-0	50005490	WPS-2-A-25-500-00000-0-0-A-0-0
50005449	WPS-2-A-25-300-00000-0-0-0-0-0	50005491	WPS-2-A-25-500-00000-0-S-0-0-0
50005450	WPS-2-A-25-300-00000-0-0-A-0-0	50005492	WPS-2-A-25-500-00000-0-S-A-0-0
50005451	WPS-2-A-25-300-00000-0-S-0-0-0	50005493	WPS-2-A-25-500-00000-G-0-0-0-0
50005452	WPS-2-A-25-300-00000-0-S-A-0-0	50005494	WPS-2-A-25-500-00000-G-0-A-0-0
50005453	WPS-2-A-25-300-00000-G-0-0-0-0	50005495	WPS-2-A-25-500-00000-G-S-0-0-0
50005454	WPS-2-A-25-300-00000-G-0-A-0-0	50005496	WPS-2-A-25-500-00000-G-S-A-0-0
50005455	WPS-2-A-25-300-00000-G-S-0-0-0	50005497	WPS-2-A-25-500-FPI00-0-0-0-0-0
50005456	WPS-2-A-25-300-00000-G-S-A-0-0	50005498	WPS-2-A-25-500-FPI00-0-0-A-0-0
50005457	WPS-2-A-25-300-FPI00-0-0-0-0-0	50005499	WPS-2-A-25-500-FPI00-0-S-0-0-0
50005458	WPS-2-A-25-300-FPI00-0-0-A-0-0	50005500	WPS-2-A-25-500-FPI00-0-S-A-0-0

Supplying & Feeding / Pump Systems

WPS ADVANCED

Item number	Order Code	Item number	Order Code
50005501	WPS-2-A-25-500-FPI00-G-0-0-0-0	50005789	WPS-3-A-25-150-FPI00-G-S-0-0-0
50005502	WPS-2-A-25-500-FPI00-G-0-A-0-0	50005790	WPS-3-A-25-150-FPI00-G-S-A-0-0
50005503	WPS-2-A-25-500-FPI00-G-S-0-0-0	50005791	WPS-3-A-25-150-FPI01-0-0-0-0-0
50005504	WPS-2-A-25-500-FPI00-G-S-A-0-0	50005792	WPS-3-A-25-150-FPI01-0-0-A-0-0
50005505	WPS-2-A-25-500-FPI01-0-0-0-0-0	50005793	WPS-3-A-25-150-FPI01-0-S-0-0-0
50005506	WPS-2-A-25-500-FPI01-0-0-A-0-0	50005794	WPS-3-A-25-150-FPI01-0-S-A-0-0
50005507	WPS-2-A-25-500-FPI01-0-S-0-0-0	50005795	WPS-3-A-25-150-FPI01-G-0-0-0-0
50005508	WPS-2-A-25-500-FPI01-0-S-A-0-0	50005796	WPS-3-A-25-150-FPI01-G-0-A-0-0
50005509	WPS-2-A-25-500-FPI01-G-0-0-0-0	50005797	WPS-3-A-25-150-FPI01-G-S-0-0-0
50005510	WPS-2-A-25-500-FPI01-G-0-A-0-0	50005798	WPS-3-A-25-150-FPI01-G-S-A-0-0
50005511	WPS-2-A-25-500-FPI01-G-S-0-0-0	50005799	WPS-3-A-25-150-FPI02-0-0-0-0-0
50005512	WPS-2-A-25-500-FPI01-G-S-A-0-0	50005800	WPS-3-A-25-150-FPI02-0-0-A-0-0
50005513	WPS-2-A-25-500-FPI02-0-0-0-0-0	50005801	WPS-3-A-25-150-FPI02-0-S-0-0-0
50005514	WPS-2-A-25-500-FPI02-0-0-A-0-0	50005802	WPS-3-A-25-150-FPI02-0-S-A-0-0
50005515	WPS-2-A-25-500-FPI02-0-S-0-0-0	50005803	WPS-3-A-25-150-FPI02-G-0-0-0-0
50005516	WPS-2-A-25-500-FPI02-0-S-A-0-0	50005804	WPS-3-A-25-150-FPI02-G-0-A-0-0
50005517	WPS-2-A-25-500-FPI02-G-0-0-0-0	50005805	WPS-3-A-25-150-FPI02-G-S-0-0-0
50005518	WPS-2-A-25-500-FPI02-G-0-A-0-0	50005806	WPS-3-A-25-150-FPI02-G-S-A-0-0
50005519	WPS-2-A-25-500-FPI02-G-S-0-0-0	50005807	WPS-3-A-25-150-FPI03-0-0-0-0-0
50005520	WPS-2-A-25-500-FPI02-G-S-A-0-0	50005808	WPS-3-A-25-150-FPI03-0-0-A-0-0
50005521	WPS-2-A-25-500-FPI03-0-0-0-0-0	50005809	WPS-3-A-25-150-FPI03-0-S-0-0-0
50005522	WPS-2-A-25-500-FPI03-0-0-A-0-0	50005810	WPS-3-A-25-150-FPI03-0-S-A-0-0
50005523	WPS-2-A-25-500-FPI03-0-S-0-0-0	50005811	WPS-3-A-25-150-FPI03-G-0-0-0-0
50005524	WPS-2-A-25-500-FPI03-0-S-A-0-0	50005812	WPS-3-A-25-150-FPI03-G-0-A-0-0
50005525	WPS-2-A-25-500-FPI03-G-0-0-0-0	50005813	WPS-3-A-25-150-FPI03-G-S-0-0-0
50005526	WPS-2-A-25-500-FPI03-G-0-A-0-0	50005814	WPS-3-A-25-150-FPI03-G-S-A-0-0
50005527	WPS-2-A-25-500-FPI03-G-S-0-0-0	50005815	WPS-3-A-25-150-FPI04-0-0-0-0-0
50005528	WPS-2-A-25-500-FPI03-G-S-A-0-0	50005816	WPS-3-A-25-150-FPI04-0-0-A-0-0
50005775	WPS-3-A-25-150-00000-0-0-0-0-0	50005817	WPS-3-A-25-150-FPI04-0-S-0-0-0
50005776	WPS-3-A-25-150-00000-0-0-A-0-0	50005818	WPS-3-A-25-150-FPI04-0-S-A-0-0
50005777	WPS-3-A-25-150-00000-0-S-0-0-0	50005819	WPS-3-A-25-150-FPI04-G-0-0-0-0
50005778	WPS-3-A-25-150-00000-0-S-A-0-0	50005820	WPS-3-A-25-150-FPI04-G-0-A-0-0
50005779	WPS-3-A-25-150-00000-G-0-0-0-0	50005821	WPS-3-A-25-150-FPI04-G-S-0-0-0
50005780	WPS-3-A-25-150-00000-G-0-A-0-0	50005822	WPS-3-A-25-150-FPI04-G-S-A-0-0
50005781	WPS-3-A-25-150-00000-G-S-0-0-0	50005823	WPS-3-A-25-300-00000-0-0-0-0-0
50005782	WPS-3-A-25-150-00000-G-S-A-0-0	50005824	WPS-3-A-25-300-00000-0-0-A-0-0
50005783	WPS-3-A-25-150-FPI00-0-0-0-0-0	50005825	WPS-3-A-25-300-00000-0-S-0-0-0
50005784	WPS-3-A-25-150-FPI00-0-0-A-0-0	50005826	WPS-3-A-25-300-00000-0-S-A-0-0
50005785	WPS-3-A-25-150-FPI00-0-S-0-0-0	50005827	WPS-3-A-25-300-00000-G-0-0-0-0
50005786	WPS-3-A-25-150-FPI00-0-S-A-0-0	50005828	WPS-3-A-25-300-00000-G-0-A-0-0
50005787	WPS-3-A-25-150-FPI00-G-0-0-0-0	50005829	WPS-3-A-25-300-00000-G-S-0-0-0
50005788	WPS-3-A-25-150-FPI00-G-0-A-0-0	50005830	WPS-3-A-25-300-00000-G-S-A-0-0

Supplying & Feeding / Pump Systems

WPS ADVANCED

Item number	Order Code	Item number	Order Code
50005831	WPS-3-A-25-300-FPI00-0-0-0-0-0	50005873	WPS-3-A-25-500-00000-0-S-0-0-0
50005832	WPS-3-A-25-300-FPI00-0-0-A-0-0	50005874	WPS-3-A-25-500-00000-0-S-A-0-0
50005833	WPS-3-A-25-300-FPI00-0-S-0-0-0	50005875	WPS-3-A-25-500-00000-G-0-0-0-0
50005834	WPS-3-A-25-300-FPI00-0-S-A-0-0	50005876	WPS-3-A-25-500-00000-G-0-A-0-0
50005835	WPS-3-A-25-300-FPI00-G-0-0-0-0	50005877	WPS-3-A-25-500-00000-G-S-0-0-0
50005836	WPS-3-A-25-300-FPI00-G-0-A-0-0	50005878	WPS-3-A-25-500-00000-G-S-A-0-0
50005837	WPS-3-A-25-300-FPI00-G-S-0-0-0	50005879	WPS-3-A-25-500-FPI00-0-0-0-0-0
50005838	WPS-3-A-25-300-FPI00-G-S-A-0-0	50005880	WPS-3-A-25-500-FPI00-0-0-A-0-0
50005839	WPS-3-A-25-300-FPI01-0-0-0-0-0	50005881	WPS-3-A-25-500-FPI00-0-S-0-0-0
50005840	WPS-3-A-25-300-FPI01-0-0-A-0-0	50005882	WPS-3-A-25-500-FPI00-0-S-A-0-0
50005841	WPS-3-A-25-300-FPI01-0-S-0-0-0	50005883	WPS-3-A-25-500-FPI00-G-0-0-0-0
50005842	WPS-3-A-25-300-FPI01-0-S-A-0-0	50005884	WPS-3-A-25-500-FPI00-G-0-A-0-0
50005843	WPS-3-A-25-300-FPI01-G-0-0-0-0	50005885	WPS-3-A-25-500-FPI00-G-S-0-0-0
50005844	WPS-3-A-25-300-FPI01-G-0-A-0-0	50005886	WPS-3-A-25-500-FPI00-G-S-A-0-0
50005845	WPS-3-A-25-300-FPI01-G-S-0-0-0	50005887	WPS-3-A-25-500-FPI01-0-0-0-0-0
50005846	WPS-3-A-25-300-FPI01-G-S-A-0-0	50005888	WPS-3-A-25-500-FPI01-0-0-A-0-0
50005847	WPS-3-A-25-300-FPI02-0-0-0-0-0	50005889	WPS-3-A-25-500-FPI01-0-S-0-0-0
50005848	WPS-3-A-25-300-FPI02-0-0-A-0-0	50005890	WPS-3-A-25-500-FPI01-0-S-A-0-0
50005849	WPS-3-A-25-300-FPI02-0-S-0-0-0	50005891	WPS-3-A-25-500-FPI01-G-0-0-0-0
50005850	WPS-3-A-25-300-FPI02-0-S-A-0-0	50005892	WPS-3-A-25-500-FPI01-G-0-A-0-0
50005851	WPS-3-A-25-300-FPI02-G-0-0-0-0	50005893	WPS-3-A-25-500-FPI01-G-S-0-0-0
50005852	WPS-3-A-25-300-FPI02-G-0-A-0-0	50005894	WPS-3-A-25-500-FPI01-G-S-A-0-0
50005853	WPS-3-A-25-300-FPI02-G-S-0-0-0	50005895	WPS-3-A-25-500-FPI02-0-0-0-0-0
50005854	WPS-3-A-25-300-FPI02-G-S-A-0-0	50005896	WPS-3-A-25-500-FPI02-0-0-A-0-0
50005855	WPS-3-A-25-300-FPI03-0-0-0-0-0	50005897	WPS-3-A-25-500-FPI02-0-S-0-0-0
50005856	WPS-3-A-25-300-FPI03-0-0-A-0-0	50005898	WPS-3-A-25-500-FPI02-0-S-A-0-0
50005857	WPS-3-A-25-300-FPI03-0-S-0-0-0	50005899	WPS-3-A-25-500-FPI02-G-0-0-0-0
50005858	WPS-3-A-25-300-FPI03-0-S-A-0-0	50005900	WPS-3-A-25-500-FPI02-G-0-A-0-0
50005859	WPS-3-A-25-300-FPI03-G-0-0-0-0	50005901	WPS-3-A-25-500-FPI02-G-S-0-0-0
50005860	WPS-3-A-25-300-FPI03-G-0-A-0-0	50005902	WPS-3-A-25-500-FPI02-G-S-A-0-0
50005861	WPS-3-A-25-300-FPI03-G-S-0-0-0	50005903	WPS-3-A-25-500-FPI03-0-0-0-0-0
50005862	WPS-3-A-25-300-FPI03-G-S-A-0-0	50005904	WPS-3-A-25-500-FPI03-0-0-A-0-0
50005863	WPS-3-A-25-300-FPI04-0-0-0-0-0	50005905	WPS-3-A-25-500-FPI03-0-S-0-0-0
50005864	WPS-3-A-25-300-FPI04-0-0-A-0-0	50005906	WPS-3-A-25-500-FPI03-0-S-A-0-0
50005865	WPS-3-A-25-300-FPI04-0-S-0-0-0	50005907	WPS-3-A-25-500-FPI03-G-0-0-0-0
50005866	WPS-3-A-25-300-FPI04-0-S-A-0-0	50005908	WPS-3-A-25-500-FPI03-G-0-A-0-0
50005867	WPS-3-A-25-300-FPI04-G-0-0-0-0	50005909	WPS-3-A-25-500-FPI03-G-S-0-0-0
50005868	WPS-3-A-25-300-FPI04-G-0-A-0-0	50005910	WPS-3-A-25-500-FPI03-G-S-A-0-0
50005869	WPS-3-A-25-300-FPI04-G-S-0-0-0	50005911	WPS-3-A-25-500-FPI04-0-0-0-0-0
50005870	WPS-3-A-25-300-FPI04-G-S-A-0-0	50005912	WPS-3-A-25-500-FPI04-0-0-A-0-0
50005871	WPS-3-A-25-500-00000-0-0-0-0-0	50005913	WPS-3-A-25-500-FPI04-0-S-0-0-0
50005872	WPS-3-A-25-500-00000-0-0-A-0-0	50005914	WPS-3-A-25-500-FPI04-0-S-A-0-0

Supplying & Feeding / Pump Systems

WPS ADVANCED

Item number	Order Code	Item number	Order Code
50005915	WPS-3-A-25-500-FPI04-G-0-0-0-0	50006654	WPS-2-A-25-000-FPI03-G-S-0-0-0
50005916	WPS-3-A-25-500-FPI04-G-0-A-0-0	50006656	WPS-2-A-25-000-FPI03-G-S-A-0-0
50005917	WPS-3-A-25-500-FPI04-G-S-0-0-0	50006754	WPS-3-A-25-000-00000-0-0-0-0-0
50005918	WPS-3-A-25-500-FPI04-G-S-A-0-0	50006756	WPS-3-A-25-000-00000-0-0-A-0-0
50006578	WPS-2-A-25-000-00000-0-0-0-0-0	50006758	WPS-3-A-25-000-00000-0-S-0-0-0
50006580	WPS-2-A-25-000-00000-0-0-A-0-0	50006760	WPS-3-A-25-000-00000-0-S-A-0-0
50006582	WPS-2-A-25-000-00000-0-S-0-0-0	50006762	WPS-3-A-25-000-00000-G-0-0-0-0
50006584	WPS-2-A-25-000-00000-0-S-A-0-0	50006764	WPS-3-A-25-000-00000-G-0-A-0-0
50006586	WPS-2-A-25-000-00000-G-0-0-0-0	50006766	WPS-3-A-25-000-00000-G-S-0-0-0
50006588	WPS-2-A-25-000-00000-G-0-A-0-0	50006768	WPS-3-A-25-000-00000-G-S-A-0-0
50006590	WPS-2-A-25-000-00000-G-S-0-0-0	50006770	WPS-3-A-25-000-FPI00-0-0-0-0-0
50006592	WPS-2-A-25-000-00000-G-S-A-0-0	50006772	WPS-3-A-25-000-FPI00-0-0-A-0-0
50006594	WPS-2-A-25-000-FPI00-0-0-0-0-0	50006774	WPS-3-A-25-000-FPI00-0-S-0-0-0
50006596	WPS-2-A-25-000-FPI00-0-0-A-0-0	50006776	WPS-3-A-25-000-FPI00-0-S-A-0-0
50006598	WPS-2-A-25-000-FPI00-0-S-0-0-0	50006778	WPS-3-A-25-000-FPI00-G-0-0-0-0
50006600	WPS-2-A-25-000-FPI00-0-S-A-0-0	50006780	WPS-3-A-25-000-FPI00-G-0-A-0-0
50006602	WPS-2-A-25-000-FPI00-G-0-0-0-0	50006782	WPS-3-A-25-000-FPI00-G-S-0-0-0
50006604	WPS-2-A-25-000-FPI00-G-0-A-0-0	50006784	WPS-3-A-25-000-FPI00-G-S-A-0-0
50006606	WPS-2-A-25-000-FPI00-G-S-0-0-0	50006786	WPS-3-A-25-000-FPI01-0-0-0-0-0
50006608	WPS-2-A-25-000-FPI00-G-S-A-0-0	50006788	WPS-3-A-25-000-FPI01-0-0-A-0-0
50006610	WPS-2-A-25-000-FPI01-0-0-0-0-0	50006790	WPS-3-A-25-000-FPI01-0-S-0-0-0
50006612	WPS-2-A-25-000-FPI01-0-0-A-0-0	50006792	WPS-3-A-25-000-FPI01-0-S-A-0-0
50006614	WPS-2-A-25-000-FPI01-0-S-0-0-0	50006794	WPS-3-A-25-000-FPI01-G-0-0-0-0
50006616	WPS-2-A-25-000-FPI01-0-S-A-0-0	50006796	WPS-3-A-25-000-FPI01-G-0-A-0-0
50006618	WPS-2-A-25-000-FPI01-G-0-0-0-0	50006798	WPS-3-A-25-000-FPI01-G-S-0-0-0
50006620	WPS-2-A-25-000-FPI01-G-0-A-0-0	50006800	WPS-3-A-25-000-FPI01-G-S-A-0-0
50006622	WPS-2-A-25-000-FPI01-G-S-0-0-0	50006802	WPS-3-A-25-000-FPI02-0-0-0-0-0
50006624	WPS-2-A-25-000-FPI01-G-S-A-0-0	50006804	WPS-3-A-25-000-FPI02-0-0-A-0-0
50006626	WPS-2-A-25-000-FPI02-0-0-0-0-0	50006806	WPS-3-A-25-000-FPI02-0-S-0-0-0
50006628	WPS-2-A-25-000-FPI02-0-0-A-0-0	50006808	WPS-3-A-25-000-FPI02-0-S-A-0-0
50006630	WPS-2-A-25-000-FPI02-0-S-0-0-0	50006810	WPS-3-A-25-000-FPI02-G-0-0-0-0
50006632	WPS-2-A-25-000-FPI02-0-S-A-0-0	50006812	WPS-3-A-25-000-FPI02-G-0-A-0-0
50006634	WPS-2-A-25-000-FPI02-G-0-0-0-0	50006814	WPS-3-A-25-000-FPI02-G-S-0-0-0
50006636	WPS-2-A-25-000-FPI02-G-0-A-0-0	50006816	WPS-3-A-25-000-FPI02-G-S-A-0-0
50006638	WPS-2-A-25-000-FPI02-G-S-0-0-0	50006818	WPS-3-A-25-000-FPI03-0-0-0-0-0
50006640	WPS-2-A-25-000-FPI02-G-S-A-0-0	50006820	WPS-3-A-25-000-FPI03-0-0-A-0-0
50006642	WPS-2-A-25-000-FPI03-0-0-0-0-0	50006822	WPS-3-A-25-000-FPI03-0-S-0-0-0
50006644	WPS-2-A-25-000-FPI03-0-0-A-0-0	50006824	WPS-3-A-25-000-FPI03-0-S-A-0-0
50006646	WPS-2-A-25-000-FPI03-0-S-0-0-0	50006826	WPS-3-A-25-000-FPI03-G-0-0-0-0
50006648	WPS-2-A-25-000-FPI03-0-S-A-0-0	50006828	WPS-3-A-25-000-FPI03-G-0-A-0-0
50006650	WPS-2-A-25-000-FPI03-G-0-0-0-0	50006830	WPS-3-A-25-000-FPI03-G-S-0-0-0
50006652	WPS-2-A-25-000-FPI03-G-0-A-0-0	50006832	WPS-3-A-25-000-FPI03-G-S-A-0-0

Supplying & Feeding / Pump Systems

WPS ADVANCED

Item number	Order Code	Item number	Order Code
50006834	WPS-3-A-25-000-FP104-0-0-0-0-0	50006842	WPS-3-A-25-000-FP104-G-0-0-0-0
50006836	WPS-3-A-25-000-FP104-0-0-A-0-0	50006844	WPS-3-A-25-000-FP104-G-0-A-0-0
50006838	WPS-3-A-25-000-FP104-0-S-0-0-0	50006846	WPS-3-A-25-000-FP104-G-S-0-0-0
50006840	WPS-3-A-25-000-FP104-0-S-A-0-0	50006848	WPS-3-A-25-000-FP104-G-S-A-0-0

SPARE PARTS

Item number	Order Code	Designation
50000911	WZF-150-01	Filter cartridge 150 [µm]
50000912	WZF-300-01	Filter cartridge 300 [µm]
50000913	WZF-500-01	Filter cartridge 500 [µm]
50008300		Suction system
50000798		Air motor
50010813		Sealing set Air motor
50010814		Sealing set Suction system

ACCESSORIES

Item number	Order Code	Designation
50005192	FP100	Follower plate (D=300 [mm])
50005173	FP101	Follower plate (D=344 [mm])
50005164	FP102	Follower plate (D=405 [mm])
50005087	FP103	Follower plate (D=430 [mm])
50004998	FP104	Follower plate (D=586 [mm])
50008366	FP201	Follower plate (D=103 [mm])
50008367	FP202	Follower plate (D=200 [mm])
50008368	FP203	Follower plate (D=245 [mm])
50008368	FP204	Follower plate (D=175 [mm])
5000xxxx	WST-...	Barrel hood

TECHNICAL DATA

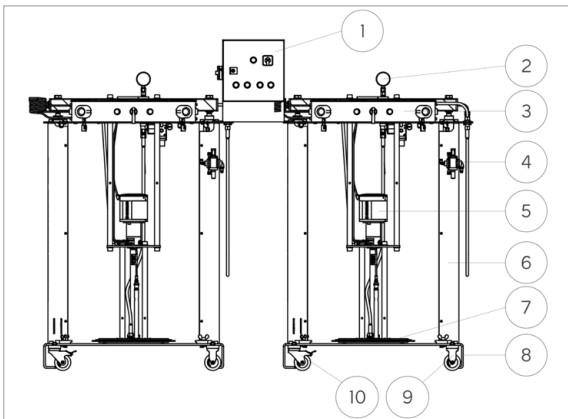
Process pressure	max 150 [bar]
Supplied volume	max. 1500 [cm ³ /min]
Container sizes	14 to 180 [l]
pneumatic inlet pressure	max.6 [bar]
Follower plate pressure	max. 6 [bar]
Weight (size 1)	xxx [kg]
Weight (size 2)	xxx [kg]
Weight (size 3)	xxx [kg]
Dimensions l x w x h (size 1)	628 x 600 x 1350 [mm]
Dimensions l x w x h (size 2)	750 x 700 x 1855 [mm]
Dimensions l x w x h (size 3)	880 x 750 x 2400 [mm]

Supplying & Feeding / Pump Systems

WPS ADVANCED

Supplying & Feeding / Pump Systems

WPS ADVANCED TANDEM



USAGE

For the Tandem version, two pump systems of the ADVANCED type have been fluid-wise combined. When one container is empty, the container in the second pump system will be automatically activated. This guarantees an uninterrupted discharge of medium and an operation without standstill. The two pump systems are coordinated through an electric control-unit which allows for a manual operation on-site as well as an operation through the superordinate control. For this purpose, there are several signals which can be exchanged via a digital interface.

CONSTRUCTION

- 1 Change-over control unit
- 2 Pressure gauge
- 3 Operating unit
- 4 Lock Valve
- 5 Supply pump
- 6 Housing
- 7 Follower plate
- 8 Frame
- 9 Wheels fix
- 10 Wheels 360° rotating

WPS ADVANCED TANDEM

HIGHLIGHTS

- Uninterrupted medium discharge through automatic switch after complete emptying of container
- providing numerous status information via digital interface for superordinate control unit
- automatic, loss-free pressure relief of pump and fluid system after turn-off of Pump System
- as a standard, integrated filter system
- almost complete emptying of containers due to adapted follower plates
- Two-hand control for a safe lowering of the pump lifter
- follower plate pressure can be steplessly adjusted
- expandible by various options

YOUR BENEFITS

- Continuing production possible despite container replacement
- use in highly automated plants and systems
- automated pressure relief below the follower plate does not result in loss of medium

ORDER CODE

(* STANDARD OPTIONS)

WPS	-		-		-		-		-		-		-		-		-		-	
1		2		3		4		5		6		7		8		9		10		11

1	Designation
	Walther Pump System

2	Size
----------	-------------

2 max. container size

Ø 460 x 695 [mm]

3 max. container size

Ø 642 x 950 [mm]

3	Type
----------	-------------

A Advanced

4	Ratio
----------	--------------

25 25:1

5	Filter Unit
----------	--------------------

150 150 [µm]

300 300 [µm]

500 500 [µm]

6	Follower plate
----------	-----------------------

00000 without follower plate

FP100 follower plate (D=300 [mm])

FP101 follower plate (D=344 [mm])

FP102 follower plate (D=405 [mm])

FP103 follower plate (D=430 [mm])

FP104 follower plate (D=586 [mm])

7	Mobile
----------	---------------

0 no option

G mobile version

8	SAVE
----------	-------------

0 no option

S SAVE installed

9	Acoustic empty signal
----------	------------------------------

0 without acoustic

A with acoustic

10	Options
-----------	----------------

T Tandem-Version

11	Index
-----------	--------------

0 Index for option

Supplying & Feeding / Pump Systems

WPS ADVANCED TANDEM

STANDARD VARIANTS

Item number	Order Code
50005923	WPS-2-A-25-150-00000-0-0-0-T-0
50005924	WPS-2-A-25-150-00000-0-0-A-T-0
50005925	WPS-2-A-25-150-00000-0-S-0-T-0
50005926	WPS-2-A-25-150-00000-0-S-A-T-0
50005927	WPS-2-A-25-150-00000-G-0-0-T-0
50005928	WPS-2-A-25-150-00000-G-0-A-T-0
50005929	WPS-2-A-25-150-00000-G-S-0-T-0
50005930	WPS-2-A-25-150-00000-G-S-A-T-0
50005931	WPS-2-A-25-150-FPI00-0-0-0-T-0
50005932	WPS-2-A-25-150-FPI00-0-0-A-T-0
50005933	WPS-2-A-25-150-FPI00-0-S-0-T-0
50005934	WPS-2-A-25-150-FPI00-0-S-A-T-0
50005935	WPS-2-A-25-150-FPI00-G-0-0-T-0
50005936	WPS-2-A-25-150-FPI00-G-0-A-T-0
50005937	WPS-2-A-25-150-FPI00-G-S-0-T-0
50005938	WPS-2-A-25-150-FPI00-G-S-A-T-0
50005939	WPS-2-A-25-150-FPI01-0-0-0-T-0
50005940	WPS-2-A-25-150-FPI01-0-0-A-T-0
50005941	WPS-2-A-25-150-FPI01-0-S-0-T-0
50005942	WPS-2-A-25-150-FPI01-0-S-A-T-0
50005943	WPS-2-A-25-150-FPI01-G-0-0-T-0
50005944	WPS-2-A-25-150-FPI01-G-0-A-T-0
50005945	WPS-2-A-25-150-FPI01-G-S-0-T-0
50005946	WPS-2-A-25-150-FPI01-G-S-A-T-0
50005947	WPS-2-A-25-150-FPI02-0-0-0-T-0
50005948	WPS-2-A-25-150-FPI02-0-0-A-T-0
50005949	WPS-2-A-25-150-FPI02-0-S-0-T-0
50005950	WPS-2-A-25-150-FPI02-0-S-A-T-0
50005951	WPS-2-A-25-150-FPI02-G-0-0-T-0
50005952	WPS-2-A-25-150-FPI02-G-0-A-T-0
50005953	WPS-2-A-25-150-FPI02-G-S-0-T-0
50005954	WPS-2-A-25-150-FPI02-G-S-A-T-0
50005955	WPS-2-A-25-150-FPI03-0-0-0-T-0
50005956	WPS-2-A-25-150-FPI03-0-0-A-T-0
50005957	WPS-2-A-25-150-FPI03-0-S-0-T-0
50005958	WPS-2-A-25-150-FPI03-0-S-A-T-0
50005959	WPS-2-A-25-150-FPI03-G-0-0-T-0
50005960	WPS-2-A-25-150-FPI03-G-0-A-T-0
50005961	WPS-2-A-25-150-FPI03-G-S-0-T-0
50005962	WPS-2-A-25-150-FPI03-G-S-A-T-0
50005963	WPS-2-A-25-300-00000-0-0-0-T-0

Item number	Order Code
50005964	WPS-2-A-25-300-00000-0-0-A-T-0
50005965	WPS-2-A-25-300-00000-0-S-0-T-0
50005966	WPS-2-A-25-300-00000-0-S-A-T-0
50005967	WPS-2-A-25-300-00000-G-0-0-T-0
50005968	WPS-2-A-25-300-00000-G-0-A-T-0
50005969	WPS-2-A-25-300-00000-G-S-0-T-0
50005970	WPS-2-A-25-300-00000-G-S-A-T-0
50005971	WPS-2-A-25-300-FPI00-0-0-0-T-0
50005972	WPS-2-A-25-300-FPI00-0-0-A-T-0
50005973	WPS-2-A-25-300-FPI00-0-S-0-T-0
50005974	WPS-2-A-25-300-FPI00-0-S-A-T-0
50005975	WPS-2-A-25-300-FPI00-G-0-0-T-0
50005976	WPS-2-A-25-300-FPI00-G-0-A-T-0
50005977	WPS-2-A-25-300-FPI00-G-S-0-T-0
50005978	WPS-2-A-25-300-FPI00-G-S-A-T-0
50005979	WPS-2-A-25-300-FPI01-0-0-0-T-0
50005980	WPS-2-A-25-300-FPI01-0-0-A-T-0
50005981	WPS-2-A-25-300-FPI01-0-S-0-T-0
50005982	WPS-2-A-25-300-FPI01-0-S-A-T-0
50005983	WPS-2-A-25-300-FPI01-G-0-0-T-0
50005984	WPS-2-A-25-300-FPI01-G-0-A-T-0
50005985	WPS-2-A-25-300-FPI01-G-S-0-T-0
50005986	WPS-2-A-25-300-FPI01-G-S-A-T-0
50005987	WPS-2-A-25-300-FPI02-0-0-0-T-0
50005988	WPS-2-A-25-300-FPI02-0-0-A-T-0
50005989	WPS-2-A-25-300-FPI02-0-S-0-T-0
50005990	WPS-2-A-25-300-FPI02-0-S-A-T-0
50005991	WPS-2-A-25-300-FPI02-G-0-0-T-0
50005992	WPS-2-A-25-300-FPI02-G-0-A-T-0
50005993	WPS-2-A-25-300-FPI02-G-S-0-T-0
50005994	WPS-2-A-25-300-FPI02-G-S-A-T-0
50005995	WPS-2-A-25-300-FPI03-0-0-0-T-0
50005996	WPS-2-A-25-300-FPI03-0-0-A-T-0
50005997	WPS-2-A-25-300-FPI03-0-S-0-T-0
50005998	WPS-2-A-25-300-FPI03-0-S-A-T-0
50005999	WPS-2-A-25-300-FPI03-G-0-0-T-0
50006000	WPS-2-A-25-300-FPI03-G-0-A-T-0
50006001	WPS-2-A-25-300-FPI03-G-S-0-T-0
50006002	WPS-2-A-25-300-FPI03-G-S-A-T-0
50006003	WPS-2-A-25-500-00000-0-0-0-T-0
50006004	WPS-2-A-25-500-00000-0-0-A-T-0

Supplying & Feeding / Pump Systems

WPS ADVANCED TANDEM

Item number	Order Code	Item number	Order Code
50006005	WPS-2-A-25-500-00000-0-S-0-T-0	50006587	WPS-2-A-25-000-00000-G-0-0-T-0
50006006	WPS-2-A-25-500-00000-0-S-A-T-0	50006589	WPS-2-A-25-000-00000-G-0-A-T-0
50006007	WPS-2-A-25-500-00000-G-0-0-T-0	50006591	WPS-2-A-25-000-00000-G-S-0-T-0
50006008	WPS-2-A-25-500-00000-G-0-A-T-0	50006593	WPS-2-A-25-000-00000-G-S-A-T-0
50006009	WPS-2-A-25-500-00000-G-S-0-T-0	50006595	WPS-2-A-25-000-FPI00-0-0-0-T-0
50006010	WPS-2-A-25-500-00000-G-S-A-T-0	50006597	WPS-2-A-25-000-FPI00-0-0-A-T-0
50006011	WPS-2-A-25-500-FPI00-0-0-0-T-0	50006599	WPS-2-A-25-000-FPI00-0-S-0-T-0
50006012	WPS-2-A-25-500-FPI00-0-0-A-T-0	50006601	WPS-2-A-25-000-FPI00-0-S-A-T-0
50006013	WPS-2-A-25-500-FPI00-0-S-0-T-0	50006603	WPS-2-A-25-000-FPI00-G-0-0-T-0
50006014	WPS-2-A-25-500-FPI00-0-S-A-T-0	50006605	WPS-2-A-25-000-FPI00-G-0-A-T-0
50006015	WPS-2-A-25-500-FPI00-G-0-0-T-0	50006607	WPS-2-A-25-000-FPI00-G-S-0-T-0
50006016	WPS-2-A-25-500-FPI00-G-0-A-T-0	50006609	WPS-2-A-25-000-FPI00-G-S-A-T-0
50006017	WPS-2-A-25-500-FPI00-G-S-0-T-0	50006611	WPS-2-A-25-000-FPI01-0-0-0-T-0
50006018	WPS-2-A-25-500-FPI00-G-S-A-T-0	50006613	WPS-2-A-25-000-FPI01-0-0-A-T-0
50006019	WPS-2-A-25-500-FPI01-0-0-0-T-0	50006615	WPS-2-A-25-000-FPI01-0-S-0-T-0
50006020	WPS-2-A-25-500-FPI01-0-0-A-T-0	50006617	WPS-2-A-25-000-FPI01-0-S-A-T-0
50006021	WPS-2-A-25-500-FPI01-0-S-0-T-0	50006619	WPS-2-A-25-000-FPI01-G-0-0-T-0
50006022	WPS-2-A-25-500-FPI01-0-S-A-T-0	50006621	WPS-2-A-25-000-FPI01-G-0-A-T-0
50006023	WPS-2-A-25-500-FPI01-G-0-0-T-0	50006623	WPS-2-A-25-000-FPI01-G-S-0-T-0
50006024	WPS-2-A-25-500-FPI01-G-0-A-T-0	50006625	WPS-2-A-25-000-FPI01-G-S-A-T-0
50006025	WPS-2-A-25-500-FPI01-G-S-0-T-0	50006627	WPS-2-A-25-000-FPI02-0-0-0-T-0
50006026	WPS-2-A-25-500-FPI01-G-S-A-T-0	50006629	WPS-2-A-25-000-FPI02-0-0-A-T-0
50006027	WPS-2-A-25-500-FPI02-0-0-0-T-0	50006631	WPS-2-A-25-000-FPI02-0-S-0-T-0
50006028	WPS-2-A-25-500-FPI02-0-0-A-T-0	50006633	WPS-2-A-25-000-FPI02-0-S-A-T-0
50006029	WPS-2-A-25-500-FPI02-0-S-0-T-0	50006635	WPS-2-A-25-000-FPI02-G-0-0-T-0
50006030	WPS-2-A-25-500-FPI02-0-S-A-T-0	50006637	WPS-2-A-25-000-FPI02-G-0-A-T-0
50006031	WPS-2-A-25-500-FPI02-G-0-0-T-0	50006639	WPS-2-A-25-000-FPI02-G-S-0-T-0
50006032	WPS-2-A-25-500-FPI02-G-0-A-T-0	50006641	WPS-2-A-25-000-FPI02-G-S-A-T-0
50006033	WPS-2-A-25-500-FPI02-G-S-0-T-0	50006643	WPS-2-A-25-000-FPI03-0-0-0-T-0
50006034	WPS-2-A-25-500-FPI02-G-S-A-T-0	50006645	WPS-2-A-25-000-FPI03-0-0-A-T-0
50006035	WPS-2-A-25-500-FPI03-0-0-0-T-0	50006647	WPS-2-A-25-000-FPI03-0-S-0-T-0
50006036	WPS-2-A-25-500-FPI03-0-0-A-T-0	50006649	WPS-2-A-25-000-FPI03-0-S-A-T-0
50006037	WPS-2-A-25-500-FPI03-0-S-0-T-0	50006651	WPS-2-A-25-000-FPI03-G-0-0-T-0
50006038	WPS-2-A-25-500-FPI03-0-S-A-T-0	50006653	WPS-2-A-25-000-FPI03-G-0-A-T-0
50006039	WPS-2-A-25-500-FPI03-G-0-0-T-0	50006655	WPS-2-A-25-000-FPI03-G-S-0-T-0
50006040	WPS-2-A-25-500-FPI03-G-0-A-T-0	50006657	WPS-2-A-25-000-FPI03-G-S-A-T-0
50006041	WPS-2-A-25-500-FPI03-G-S-0-T-0	50006050	WPS-3-A-25-150-00000-0-0-0-T-0
50006042	WPS-2-A-25-500-FPI03-G-S-A-T-0	50006051	WPS-3-A-25-150-00000-0-0-A-T-0
50006579	WPS-2-A-25-000-00000-0-0-0-T-0	50006052	WPS-3-A-25-150-00000-0-S-0-T-0
50006581	WPS-2-A-25-000-00000-0-0-A-T-0	50006053	WPS-3-A-25-150-00000-0-S-A-T-0
50006583	WPS-2-A-25-000-00000-0-S-0-T-0	50006054	WPS-3-A-25-150-00000-G-0-0-T-0
50006585	WPS-2-A-25-000-00000-0-S-A-T-0	50006055	WPS-3-A-25-150-00000-G-0-A-T-0

Supplying & Feeding / Pump Systems

WPS ADVANCED TANDEM

Item number	Order Code	Item number	Order Code
50006056	WPS-3-A-25-150-00000-G-S-0-T-0	50006098	WPS-3-A-25-300-00000-0-0-0-T-0
50006057	WPS-3-A-25-150-00000-G-S-A-T-0	50006099	WPS-3-A-25-300-00000-0-0-A-T-0
50006058	WPS-3-A-25-150-FPI00-0-0-0-T-0	50006100	WPS-3-A-25-300-00000-0-S-0-T-0
50006059	WPS-3-A-25-150-FPI00-0-0-A-T-0	50006101	WPS-3-A-25-300-00000-0-S-A-T-0
50006060	WPS-3-A-25-150-FPI00-0-S-0-T-0	50006102	WPS-3-A-25-300-00000-G-0-0-T-0
50006061	WPS-3-A-25-150-FPI00-0-S-A-T-0	50006103	WPS-3-A-25-300-00000-G-0-A-T-0
50006062	WPS-3-A-25-150-FPI00-G-0-0-T-0	50006104	WPS-3-A-25-300-00000-G-S-0-T-0
50006063	WPS-3-A-25-150-FPI00-G-0-A-T-0	50006105	WPS-3-A-25-300-00000-G-S-A-T-0
50006064	WPS-3-A-25-150-FPI00-G-S-0-T-0	50006106	WPS-3-A-25-300-FPI00-0-0-0-T-0
50006065	WPS-3-A-25-150-FPI00-G-S-A-T-0	50006107	WPS-3-A-25-300-FPI00-0-0-A-T-0
50006066	WPS-3-A-25-150-FPI01-0-0-0-T-0	50006108	WPS-3-A-25-300-FPI00-0-S-0-T-0
50006067	WPS-3-A-25-150-FPI01-0-0-A-T-0	50006109	WPS-3-A-25-300-FPI00-0-S-A-T-0
50006068	WPS-3-A-25-150-FPI01-0-S-0-T-0	50006110	WPS-3-A-25-300-FPI00-G-0-0-T-0
50006069	WPS-3-A-25-150-FPI01-0-S-A-T-0	50006111	WPS-3-A-25-300-FPI00-G-0-A-T-0
50006070	WPS-3-A-25-150-FPI01-G-0-0-T-0	50006112	WPS-3-A-25-300-FPI00-G-S-0-T-0
50006071	WPS-3-A-25-150-FPI01-G-0-A-T-0	50006113	WPS-3-A-25-300-FPI00-G-S-A-T-0
50006072	WPS-3-A-25-150-FPI01-G-S-0-T-0	50006114	WPS-3-A-25-300-FPI01-0-0-0-T-0
50006073	WPS-3-A-25-150-FPI01-G-S-A-T-0	50006115	WPS-3-A-25-300-FPI01-0-0-A-T-0
50006074	WPS-3-A-25-150-FPI02-0-0-0-T-0	50006116	WPS-3-A-25-300-FPI01-0-S-0-T-0
50006075	WPS-3-A-25-150-FPI02-0-0-A-T-0	50006117	WPS-3-A-25-300-FPI01-0-S-A-T-0
50006076	WPS-3-A-25-150-FPI02-0-S-0-T-0	50006118	WPS-3-A-25-300-FPI01-G-0-0-T-0
50006077	WPS-3-A-25-150-FPI02-0-S-A-T-0	50006119	WPS-3-A-25-300-FPI01-G-0-A-T-0
50006078	WPS-3-A-25-150-FPI02-G-0-0-T-0	50006120	WPS-3-A-25-300-FPI01-G-S-0-T-0
50006079	WPS-3-A-25-150-FPI02-G-0-A-T-0	50006121	WPS-3-A-25-300-FPI01-G-S-A-T-0
50006080	WPS-3-A-25-150-FPI02-G-S-0-T-0	50006122	WPS-3-A-25-300-FPI02-0-0-0-T-0
50006081	WPS-3-A-25-150-FPI02-G-S-A-T-0	50006123	WPS-3-A-25-300-FPI02-0-0-A-T-0
50006082	WPS-3-A-25-150-FPI03-0-0-0-T-0	50006124	WPS-3-A-25-300-FPI02-0-S-0-T-0
50006083	WPS-3-A-25-150-FPI03-0-0-A-T-0	50006125	WPS-3-A-25-300-FPI02-0-S-A-T-0
50006084	WPS-3-A-25-150-FPI03-0-S-0-T-0	50006126	WPS-3-A-25-300-FPI02-G-0-0-T-0
50006085	WPS-3-A-25-150-FPI03-0-S-A-T-0	50006127	WPS-3-A-25-300-FPI02-G-0-A-T-0
50006086	WPS-3-A-25-150-FPI03-G-0-0-T-0	50006128	WPS-3-A-25-300-FPI02-G-S-0-T-0
50006087	WPS-3-A-25-150-FPI03-G-0-A-T-0	50006129	WPS-3-A-25-300-FPI02-G-S-A-T-0
50006088	WPS-3-A-25-150-FPI03-G-S-0-T-0	50006130	WPS-3-A-25-300-FPI03-0-0-0-T-0
50006089	WPS-3-A-25-150-FPI03-G-S-A-T-0	50006131	WPS-3-A-25-300-FPI03-0-0-A-T-0
50006090	WPS-3-A-25-150-FPI04-0-0-0-T-0	50006132	WPS-3-A-25-300-FPI03-0-S-0-T-0
50006091	WPS-3-A-25-150-FPI04-0-0-A-T-0	50006133	WPS-3-A-25-300-FPI03-0-S-A-T-0
50006092	WPS-3-A-25-150-FPI04-0-S-0-T-0	50006134	WPS-3-A-25-300-FPI03-G-0-0-T-0
50006093	WPS-3-A-25-150-FPI04-0-S-A-T-0	50006135	WPS-3-A-25-300-FPI03-G-0-A-T-0
50006094	WPS-3-A-25-150-FPI04-G-0-0-T-0	50006136	WPS-3-A-25-300-FPI03-G-S-0-T-0
50006095	WPS-3-A-25-150-FPI04-G-0-A-T-0	50006137	WPS-3-A-25-300-FPI03-G-S-A-T-0
50006096	WPS-3-A-25-150-FPI04-G-S-0-T-0	50006138	WPS-3-A-25-300-FPI04-0-0-0-T-0
50006097	WPS-3-A-25-150-FPI04-G-S-A-T-0	50006139	WPS-3-A-25-300-FPI04-0-0-A-T-0

Supplying & Feeding / Pump Systems

WPS ADVANCED TANDEM

Item number	Order Code	Item number	Order Code
50006140	WPS-3-A-25-300-FPI04-0-S-0-T-0	50006182	WPS-3-A-25-500-FPI03-G-0-0-T-0
50006141	WPS-3-A-25-300-FPI04-0-S-A-T-0	50006183	WPS-3-A-25-500-FPI03-G-0-A-T-0
50006142	WPS-3-A-25-300-FPI04-G-0-0-T-0	50006184	WPS-3-A-25-500-FPI03-G-S-0-T-0
50006143	WPS-3-A-25-300-FPI04-G-0-A-T-0	50006185	WPS-3-A-25-500-FPI03-G-S-A-T-0
50006144	WPS-3-A-25-300-FPI04-G-S-0-T-0	50006186	WPS-3-A-25-500-FPI04-0-0-0-T-0
50006145	WPS-3-A-25-300-FPI04-G-S-A-T-0	50006187	WPS-3-A-25-500-FPI04-0-0-A-T-0
50006146	WPS-3-A-25-500-00000-0-0-0-T-0	50006188	WPS-3-A-25-500-FPI04-0-S-0-T-0
50006147	WPS-3-A-25-500-00000-0-0-A-T-0	50006189	WPS-3-A-25-500-FPI04-0-S-A-T-0
50006148	WPS-3-A-25-500-00000-0-S-0-T-0	50006190	WPS-3-A-25-500-FPI04-G-0-0-T-0
50006149	WPS-3-A-25-500-00000-0-S-A-T-0	50006191	WPS-3-A-25-500-FPI04-G-0-A-T-0
50006150	WPS-3-A-25-500-00000-G-0-0-T-0	50006192	WPS-3-A-25-500-FPI04-G-S-0-T-0
50006151	WPS-3-A-25-500-00000-G-0-A-T-0	50006193	WPS-3-A-25-500-FPI04-G-S-A-T-0
50006152	WPS-3-A-25-500-00000-G-S-0-T-0	50006755	WPS-3-A-25-000-00000-0-0-0-T-0
50006153	WPS-3-A-25-500-00000-G-S-A-T-0	50006757	WPS-3-A-25-000-00000-0-0-A-T-0
50006154	WPS-3-A-25-500-FPI00-0-0-0-T-0	50006759	WPS-3-A-25-000-00000-0-S-0-T-0
50006155	WPS-3-A-25-500-FPI00-0-0-A-T-0	50006761	WPS-3-A-25-000-00000-0-S-A-T-0
50006156	WPS-3-A-25-500-FPI00-0-S-0-T-0	50006763	WPS-3-A-25-000-00000-G-0-0-T-0
50006157	WPS-3-A-25-500-FPI00-0-S-A-T-0	50006765	WPS-3-A-25-000-00000-G-0-A-T-0
50006158	WPS-3-A-25-500-FPI00-G-0-0-T-0	50006767	WPS-3-A-25-000-00000-G-S-0-T-0
50006159	WPS-3-A-25-500-FPI00-G-0-A-T-0	50006769	WPS-3-A-25-000-00000-G-S-A-T-0
50006160	WPS-3-A-25-500-FPI00-G-S-0-T-0	50006771	WPS-3-A-25-000-FPI00-0-0-0-T-0
50006161	WPS-3-A-25-500-FPI00-G-S-A-T-0	50006773	WPS-3-A-25-000-FPI00-0-0-A-T-0
50006162	WPS-3-A-25-500-FPI01-0-0-0-T-0	50006775	WPS-3-A-25-000-FPI00-0-S-0-T-0
50006163	WPS-3-A-25-500-FPI01-0-0-A-T-0	50006777	WPS-3-A-25-000-FPI00-0-S-A-T-0
50006164	WPS-3-A-25-500-FPI01-0-S-0-T-0	50006779	WPS-3-A-25-000-FPI00-G-0-0-T-0
50006165	WPS-3-A-25-500-FPI01-0-S-A-T-0	50006781	WPS-3-A-25-000-FPI00-G-0-A-T-0
50006166	WPS-3-A-25-500-FPI01-G-0-0-T-0	50006783	WPS-3-A-25-000-FPI00-G-S-0-T-0
50006167	WPS-3-A-25-500-FPI01-G-0-A-T-0	50006785	WPS-3-A-25-000-FPI00-G-S-A-T-0
50006168	WPS-3-A-25-500-FPI01-G-S-0-T-0	50006787	WPS-3-A-25-000-FPI01-0-0-0-T-0
50006169	WPS-3-A-25-500-FPI01-G-S-A-T-0	50006789	WPS-3-A-25-000-FPI01-0-0-A-T-0
50006170	WPS-3-A-25-500-FPI02-0-0-0-T-0	50006791	WPS-3-A-25-000-FPI01-0-S-0-T-0
50006171	WPS-3-A-25-500-FPI02-0-0-A-T-0	50006793	WPS-3-A-25-000-FPI01-0-S-A-T-0
50006172	WPS-3-A-25-500-FPI02-0-S-0-T-0	50006795	WPS-3-A-25-000-FPI01-G-0-0-T-0
50006173	WPS-3-A-25-500-FPI02-0-S-A-T-0	50006797	WPS-3-A-25-000-FPI01-G-0-A-T-0
50006174	WPS-3-A-25-500-FPI02-G-0-0-T-0	50006799	WPS-3-A-25-000-FPI01-G-S-0-T-0
50006175	WPS-3-A-25-500-FPI02-G-0-A-T-0	50006801	WPS-3-A-25-000-FPI01-G-S-A-T-0
50006176	WPS-3-A-25-500-FPI02-G-S-0-T-0	50006803	WPS-3-A-25-000-FPI02-0-0-0-T-0
50006177	WPS-3-A-25-500-FPI02-G-S-A-T-0	50006805	WPS-3-A-25-000-FPI02-0-0-A-T-0
50006178	WPS-3-A-25-500-FPI03-0-0-0-T-0	50006807	WPS-3-A-25-000-FPI02-0-S-0-T-0
50006179	WPS-3-A-25-500-FPI03-0-0-A-T-0	50006809	WPS-3-A-25-000-FPI02-0-S-A-T-0
50006180	WPS-3-A-25-500-FPI03-0-S-0-T-0	50006811	WPS-3-A-25-000-FPI02-G-0-0-T-0
50006181	WPS-3-A-25-500-FPI03-0-S-A-T-0	50006813	WPS-3-A-25-000-FPI02-G-0-A-T-0

Supplying & Feeding / Pump Systems

WPS ADVANCED TANDEM

Item number	Order Code	Item number	Order Code
50006815	WPS-3-A-25-000-FP102-G-S-0-T-0	50006833	WPS-3-A-25-000-FP103-G-S-A-T-0
50006817	WPS-3-A-25-000-FP102-G-S-A-T-0	50006835	WPS-3-A-25-000-FP104-0-0-0-T-0
50006819	WPS-3-A-25-000-FP103-0-0-0-T-0	50006837	WPS-3-A-25-000-FP104-0-0-A-T-0
50006821	WPS-3-A-25-000-FP103-0-0-A-T-0	50006839	WPS-3-A-25-000-FP104-0-S-0-T-0
50006823	WPS-3-A-25-000-FP103-0-S-0-T-0	50006841	WPS-3-A-25-000-FP104-0-S-A-T-0
50006825	WPS-3-A-25-000-FP103-0-S-A-T-0	50006843	WPS-3-A-25-000-FP104-G-0-0-T-0
50006827	WPS-3-A-25-000-FP103-G-0-0-T-0	50006845	WPS-3-A-25-000-FP104-G-0-A-T-0
50006829	WPS-3-A-25-000-FP103-G-0-A-T-0	50006847	WPS-3-A-25-000-FP104-G-S-0-T-0
50006831	WPS-3-A-25-000-FP103-G-S-0-T-0	50006849	WPS-3-A-25-000-FP104-G-S-A-T-0

SPARE PARTS

Item number	Order Code	Designation
50000911	WZF-150-01	Filter cartridge 150 [µm]
50000912	WZF-300-01	Filter cartridge 300 [µm]
50000913	WZF-500-01	Filter cartridge 500 [µm]
50008300		Suction system
50000798		Air motor
50010813		Sealing set Air motor
50010814		Sealing set Suction system

ACCESSORIES

Item number	Order Code	Designation
50005192	FP100	Follower plate (D=300 [mm])
50005173	FP101	Follower plate (D=344 [mm])
50005164	FP102	Follower plate (D=405 [mm])
50005087	FP103	Follower plate (D=430 [mm])
50004998	FP104	Follower plate (D=586 [mm])
5000xxxx	WST-...	Barrel hood

TECHNICAL DATA

Process pressure	max 150 [bar]
Supplied volume	max. 1500 [cm ³ /min]
Container sizes	14 to 180 [l]
pneumatic inlet pressure	max.6 [bar]
Follower plate pressure	max. 6 [bar]
Weight (size 2)	xxx [kg]
Weight (size 3)	xxx [kg]
Dimensions l x w x h (size 2)	1800 x 700 x 1850 [mm]
Dimensions l x w x h (size 3)	2100 x 750 x 2000 [mm]

Supplying & Feeding / Pump Systems

WPS ADVANCED TANDEM

PANTA RHEI: EVERYTHING FLOWS.

WITH OUR NEW PUMP CLASS
FOR PROFESSIONALS, THE
MATERIAL SUPPLY WILL
BECOME AS RELAXED
AS NEVER BEFORE.



WPS PROFESSIONAL: CERTAINLY WELL SUPPLIED.

AUTOMATED RELIABILITY IN SERIES: THE NEW PUMP SYSTEM FOR QUALITY WITHOUT COMPROMISE.

Our "Master of Zen" guarantees that nothing can go wrong and lets you comfortably watch the production. This fully automated pump system reduces the worker's influence to a minimum, provides greatest purity of the medium through an integrated filter system and monitors different process parameters, in order to ensure a smooth material extraction and supply. It helps you to increase the availability, performance and quality of your overall system.

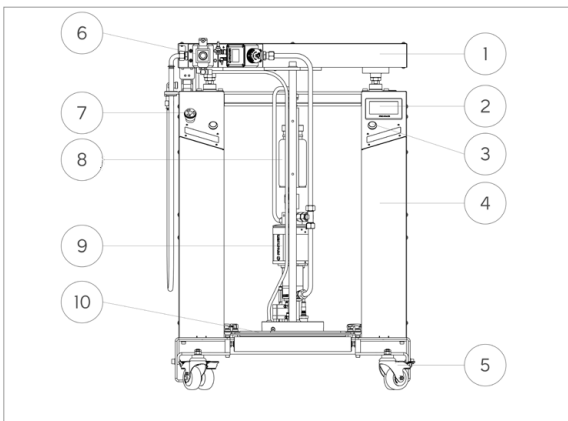
Thanks to an integrated fieldbus system, the pump system can also be perfectly integrated into state-of-the-art control architectures.

Page 48



Supplying & Feeding / Pump Systems

WPS PROFESSIONAL



USAGE

With the WPS Pump Systems, you can supply medium- to highly-viscous media directly from the manufacturer container. With the pump lifter, the replacement of containers is fast and does not need much effort. With the PROFESSIONAL version, you will receive a fully automatic pump system with electric control unit which operates almost independently. Thanks to an integrated field-bus system, the pump system can be smoothly integrated into state-of-the-art controlling architectures.

CONSTRUCTION

- 1 Pump lifter
- 2 Touch-Panel
- 3 Two-hand control
- 4 Frame
- 5 Mobile version
- 6 Order of components
- 7 Emergency OFF
- 8 Cup unit
- 9 Supply pump
- 10 Follower plate

Supplying & Feeding / Pump Systems

WPS PROFESSIONAL

HIGHLIGHTS

- Operation through HMI with clear pictograms
- automated container replacement-wizard guides the worker step by step
- automated venting after container replacement
- continuous monitoring of contamination status of integrated filter system
- BUS system for an operation with superordinate control units
- freely configurable, digital alarm outlets
- continuous monitoring and providing of different process parameter (pressure, filling level, operation time, follower plate pressure)
- expandible by various options

YOUR BENEFITS

- Also less qualified personnel will be able to operate the pump system without error
- increase of OEE by avoiding errors induced by the supply system
- pump system for professional use in automated plants and systems
- automated pressure relief below the follower plate does not result in loss of medium

ORDER CODE

(* STANDARD OPTIONS)

WPS	-		-		-		-		-		-		-		-		-		-	
1		2		3		4		5		6		7		8		9		10		11

1	Designation		5	Filter Unit		8	SAVE
	Walther Pump System		150	150 [µm]		0	no option
			300	300 [µm]		S	SAVE installed
			500	500 [µm]		9	Acoustic empty signal
2	Size		6	Follower plate		0	without acoustic
2	max. container size		00000	without follower plate		A	with acoustic
	∅ 460 x 695 [mm]		FP100	follower plate (D=300 [mm])		10	Options
3	max. container size		FP101	follower plate (D=344 [mm])		0	no option
	∅ 642 x 950 [mm]		FP102	follower plate (D=405 [mm])		11	Index
3	Type		FP103	follower plate (D=430 [mm])		0	index for option
P	Professional		FP104	follower plate (D=586 [mm])		S	storage
4	Ratio		7	Mobile		H	homogenization with storage
25	25:1		0	no option			
			G	mobile version			

Supplying & Feeding / Pump Systems

WPS PROFESSIONAL

STANDARD VARIANTS

Item number	Order Code	Item number	Order Code
50006355	WPS-2-P-25-150-00000-0-0-0-0-0	50008051	WPS-2-P-25-000-00000-G-0-A-0-0
50006358	WPS-2-P-25-150-00000-G-0-0-0-0	50008054	WPS-2-P-25-000-FPI00-0-0-A-0-0
50006361	WPS-2-P-25-150-FPI00-0-0-0-0-0	50008057	WPS-2-P-25-000-FPI00-G-0-A-0-0
50006364	WPS-2-P-25-150-FPI00-G-0-0-0-0	50008060	WPS-2-P-25-000-FPI01-0-0-A-0-0
50006367	WPS-2-P-25-150-FPI01-0-0-0-0-0	50008063	WPS-2-P-25-000-FPI01-G-0-A-0-0
50006370	WPS-2-P-25-150-FPI01-G-0-0-0-0	50008066	WPS-2-P-25-000-FPI02-0-0-A-0-0
50006373	WPS-2-P-25-150-FPI02-0-0-0-0-0	50008069	WPS-2-P-25-000-FPI02-G-0-A-0-0
50006376	WPS-2-P-25-150-FPI02-G-0-0-0-0	50008072	WPS-2-P-25-000-FPI03-0-0-A-0-0
50006379	WPS-2-P-25-150-FPI03-0-0-0-0-0	50008075	WPS-2-P-25-000-FPI03-G-0-A-0-0
50006382	WPS-2-P-25-150-FPI03-G-0-0-0-0	50008078	WPS-2-P-25-150-00000-0-0-A-0-0
50006385	WPS-2-P-25-300-00000-0-0-0-0-0	50008081	WPS-2-P-25-150-00000-G-0-A-0-0
50006388	WPS-2-P-25-300-00000-G-0-0-0-0	50008084	WPS-2-P-25-150-FPI00-0-0-A-0-0
50006391	WPS-2-P-25-300-FPI00-0-0-0-0-0	50008087	WPS-2-P-25-150-FPI00-G-0-A-0-0
50006394	WPS-2-P-25-300-FPI00-G-0-0-0-0	50008090	WPS-2-P-25-150-FPI01-0-0-A-0-0
50006397	WPS-2-P-25-300-FPI01-0-0-0-0-0	50008093	WPS-2-P-25-150-FPI01-G-0-A-0-0
50006400	WPS-2-P-25-300-FPI01-G-0-0-0-0	50008096	WPS-2-P-25-150-FPI02-0-0-A-0-0
50006403	WPS-2-P-25-300-FPI02-0-0-0-0-0	50008099	WPS-2-P-25-150-FPI02-G-0-A-0-0
50006406	WPS-2-P-25-300-FPI02-G-0-0-0-0	50008102	WPS-2-P-25-150-FPI03-0-0-A-0-0
50006409	WPS-2-P-25-300-FPI03-0-0-0-0-0	50008105	WPS-2-P-25-150-FPI03-G-0-A-0-0
50006412	WPS-2-P-25-300-FPI03-G-0-0-0-0	50008108	WPS-2-P-25-300-00000-0-0-A-0-0
50006415	WPS-2-P-25-500-00000-0-0-0-0-0	50008111	WPS-2-P-25-300-00000-G-0-A-0-0
50006418	WPS-2-P-25-500-00000-G-0-0-0-0	50008114	WPS-2-P-25-300-FPI00-0-0-A-0-0
50006421	WPS-2-P-25-500-FPI00-0-0-0-0-0	50008117	WPS-2-P-25-300-FPI00-G-0-A-0-0
50006424	WPS-2-P-25-500-FPI00-G-0-0-0-0	50008120	WPS-2-P-25-300-FPI01-0-0-A-0-0
50006427	WPS-2-P-25-500-FPI01-0-0-0-0-0	50008123	WPS-2-P-25-300-FPI01-G-0-A-0-0
50006430	WPS-2-P-25-500-FPI01-G-0-0-0-0	50008126	WPS-2-P-25-300-FPI02-0-0-A-0-0
50006433	WPS-2-P-25-500-FPI02-0-0-0-0-0	50008129	WPS-2-P-25-300-FPI02-G-0-A-0-0
50006436	WPS-2-P-25-500-FPI02-G-0-0-0-0	50008132	WPS-2-P-25-300-FPI03-0-0-A-0-0
50006439	WPS-2-P-25-500-FPI03-0-0-0-0-0	50008135	WPS-2-P-25-300-FPI03-G-0-A-0-0
50006442	WPS-2-P-25-500-FPI03-G-0-0-0-0	50008138	WPS-2-P-25-500-00000-0-0-A-0-0
50008028	WPS-2-P-25-000-00000-0-0-0-0-0	50008141	WPS-2-P-25-500-00000-G-0-A-0-0
50008030	WPS-2-P-25-000-00000-G-0-0-0-0	50008144	WPS-2-P-25-500-FPI00-0-0-A-0-0
50008032	WPS-2-P-25-000-FPI00-0-0-0-0-0	50008147	WPS-2-P-25-500-FPI00-G-0-A-0-0
50008034	WPS-2-P-25-000-FPI00-G-0-0-0-0	50008150	WPS-2-P-25-500-FPI01-0-0-A-0-0
50008036	WPS-2-P-25-000-FPI01-0-0-0-0-0	50008153	WPS-2-P-25-500-FPI01-G-0-A-0-0
50008038	WPS-2-P-25-000-FPI01-G-0-0-0-0	50008156	WPS-2-P-25-500-FPI02-0-0-A-0-0
50008040	WPS-2-P-25-000-FPI02-0-0-0-0-0	50008159	WPS-2-P-25-500-FPI02-G-0-A-0-0
50008042	WPS-2-P-25-000-FPI02-G-0-0-0-0	50008162	WPS-2-P-25-500-FPI03-0-0-A-0-0
50008044	WPS-2-P-25-000-FPI03-0-0-0-0-0	50008165	WPS-2-P-25-500-FPI03-G-0-A-0-0
50008046	WPS-2-P-25-000-FPI03-G-0-0-0-0	50008889	WPS-3-P-25-000-00000-0-0-0-0-0
50008048	WPS-2-P-25-000-00000-0-0-A-0-0	50008892	WPS-3-P-25-000-00000-0-0-A-0-0

Supplying & Feeding / Pump Systems

WPS PROFESSIONAL

Item number	Order Code	Item number	Order Code
50008895	WPS-3-P-25-000-00000-G-0-0-0-0	50009021	WPS-3-P-25-150-FPI04-0-0-0-0-0
50008898	WPS-3-P-25-000-00000-G-0-A-0-0	50009024	WPS-3-P-25-150-FPI04-0-0-A-0-0
50008901	WPS-3-P-25-000-FPI00-0-0-0-0-0	50009027	WPS-3-P-25-150-FPI04-G-0-0-0-0
50008904	WPS-3-P-25-000-FPI00-0-0-A-0-0	50009030	WPS-3-P-25-150-FPI04-G-0-A-0-0
50008907	WPS-3-P-25-000-FPI00-G-0-0-0-0	50009033	WPS-3-P-25-300-00000-0-0-0-0-0
50008910	WPS-3-P-25-000-FPI00-G-0-A-0-0	50009036	WPS-3-P-25-300-00000-0-0-A-0-0
50008913	WPS-3-P-25-000-FPI01-0-0-0-0-0	50009039	WPS-3-P-25-300-00000-G-0-0-0-0
50008916	WPS-3-P-25-000-FPI01-0-0-A-0-0	50009042	WPS-3-P-25-300-00000-G-0-A-0-0
50008919	WPS-3-P-25-000-FPI01-G-0-0-0-0	50009045	WPS-3-P-25-300-FPI00-0-0-0-0-0
50008922	WPS-3-P-25-000-FPI01-G-0-A-0-0	50009048	WPS-3-P-25-300-FPI00-0-0-A-0-0
50008925	WPS-3-P-25-000-FPI02-0-0-0-0-0	50009051	WPS-3-P-25-300-FPI00-G-0-0-0-0
50008928	WPS-3-P-25-000-FPI02-0-0-A-0-0	50009054	WPS-3-P-25-300-FPI00-G-0-A-0-0
50008931	WPS-3-P-25-000-FPI02-G-0-0-0-0	50009057	WPS-3-P-25-300-FPI01-0-0-0-0-0
50008934	WPS-3-P-25-000-FPI02-G-0-A-0-0	50009060	WPS-3-P-25-300-FPI01-0-0-A-0-0
50008937	WPS-3-P-25-000-FPI03-0-0-0-0-0	50009063	WPS-3-P-25-300-FPI01-G-0-0-0-0
50008940	WPS-3-P-25-000-FPI03-0-0-A-0-0	50009066	WPS-3-P-25-300-FPI01-G-0-A-0-0
50008943	WPS-3-P-25-000-FPI03-G-0-0-0-0	50009069	WPS-3-P-25-300-FPI02-0-0-0-0-0
50008946	WPS-3-P-25-000-FPI03-G-0-A-0-0	50009072	WPS-3-P-25-300-FPI02-0-0-A-0-0
50008949	WPS-3-P-25-000-FPI04-0-0-0-0-0	50009075	WPS-3-P-25-300-FPI02-G-0-0-0-0
50008952	WPS-3-P-25-000-FPI04-0-0-A-0-0	50009078	WPS-3-P-25-300-FPI02-G-0-A-0-0
50008955	WPS-3-P-25-000-FPI04-G-0-0-0-0	50009081	WPS-3-P-25-300-FPI03-0-0-0-0-0
50008958	WPS-3-P-25-000-FPI04-G-0-A-0-0	50009084	WPS-3-P-25-300-FPI03-0-0-A-0-0
50008961	WPS-3-P-25-150-00000-0-0-0-0-0	50009087	WPS-3-P-25-300-FPI03-G-0-0-0-0
50008964	WPS-3-P-25-150-00000-0-0-A-0-0	50009090	WPS-3-P-25-300-FPI03-G-0-A-0-0
50008967	WPS-3-P-25-150-00000-G-0-0-0-0	50009093	WPS-3-P-25-300-FPI04-0-0-0-0-0
50008970	WPS-3-P-25-150-00000-G-0-A-0-0	50009096	WPS-3-P-25-300-FPI04-0-0-A-0-0
50008973	WPS-3-P-25-150-FPI00-0-0-0-0-0	50009099	WPS-3-P-25-300-FPI04-G-0-0-0-0
50008976	WPS-3-P-25-150-FPI00-0-0-A-0-0	50009102	WPS-3-P-25-300-FPI04-G-0-A-0-0
50008979	WPS-3-P-25-150-FPI00-G-0-0-0-0	50009105	WPS-3-P-25-500-00000-0-0-0-0-0
50008982	WPS-3-P-25-150-FPI00-G-0-A-0-0	50009108	WPS-3-P-25-500-00000-0-0-A-0-0
50008985	WPS-3-P-25-150-FPI01-0-0-0-0-0	50009111	WPS-3-P-25-500-00000-G-0-0-0-0
50008988	WPS-3-P-25-150-FPI01-0-0-A-0-0	50009114	WPS-3-P-25-500-00000-G-0-A-0-0
50008991	WPS-3-P-25-150-FPI01-G-0-0-0-0	50009117	WPS-3-P-25-500-FPI00-0-0-0-0-0
50008994	WPS-3-P-25-150-FPI01-G-0-A-0-0	50009120	WPS-3-P-25-500-FPI00-0-0-A-0-0
50008997	WPS-3-P-25-150-FPI02-0-0-0-0-0	50009123	WPS-3-P-25-500-FPI00-G-0-0-0-0
50009000	WPS-3-P-25-150-FPI02-0-0-A-0-0	50009126	WPS-3-P-25-500-FPI00-G-0-A-0-0
50009003	WPS-3-P-25-150-FPI02-G-0-0-0-0	50009129	WPS-3-P-25-500-FPI01-0-0-0-0-0
50009006	WPS-3-P-25-150-FPI02-G-0-A-0-0	50009132	WPS-3-P-25-500-FPI01-0-0-A-0-0
50009009	WPS-3-P-25-150-FPI03-0-0-0-0-0	50009135	WPS-3-P-25-500-FPI01-G-0-0-0-0
50009012	WPS-3-P-25-150-FPI03-0-0-A-0-0	50009138	WPS-3-P-25-500-FPI01-G-0-A-0-0
50009015	WPS-3-P-25-150-FPI03-G-0-0-0-0	50009141	WPS-3-P-25-500-FPI02-0-0-0-0-0
50009018	WPS-3-P-25-150-FPI03-G-0-A-0-0	50009144	WPS-3-P-25-500-FPI02-0-0-A-0-0

Supplying & Feeding / Pump Systems

WPS PROFESSIONAL

Item number	Order Code	Item number	Order Code
50009147	WPS-3-P-25-500-FPI02-G-0-0-0-0	50009162	WPS-3-P-25-500-FPI03-G-0-A-0-0
50009150	WPS-3-P-25-500-FPI02-G-0-A-0-0	50009165	WPS-3-P-25-500-FPI04-0-0-0-0-0
50009153	WPS-3-P-25-500-FPI03-0-0-0-0-0	50009168	WPS-3-P-25-500-FPI04-0-0-A-0-0
50009156	WPS-3-P-25-500-FPI03-0-0-A-0-0	50009171	WPS-3-P-25-500-FPI04-G-0-0-0-0
50009159	WPS-3-P-25-500-FPI03-G-0-0-0-0	50009174	WPS-3-P-25-500-FPI04-G-0-A-0-0

SPARE PARTS

Item number	Order Code	Designation
50000911	WZF-150-01	Filter cartridge 150 [µm]
50000912	WZF-300-01	Filter cartridge 300 [µm]
50000913	WZF-500-01	Filter cartridge 500 [µm]
50008300		Suction system
50000798		Air motor
50010813		Sealing set Air motor
50010814		Sealing set Suction system

ACCESSORIES

Item number	Order Code	Designation
50005192	FPI00	Follower plate (D=300 [mm])
50005173	FPI01	Follower plate (D=344 [mm])
50005164	FPI02	Follower plate (D=405 [mm])
50005087	FPI03	Follower plate (D=430 [mm])
50004998	FPI04	Follower plate (D=586 [mm])
5000xxxx	WST-...	Barrel hood

TECHNICAL DATA

Process pressure	max 150 [bar]
Supplied volume	max. 1500 [cm ³ /min]
Container sizes	14 to 180 [l]
pneumatic inlet pressure	max.6 [bar]
Follower plate pressure	max. 6 [bar]
Weight (size 2)	xxx [kg]
Weight (size 3)	xxx [kg]
Dimensions l x w x h (size 2)	820 x 750 x 2400 [mm]
Dimensions l x w x h (size 3)	1050 x 700 x 2400 [mm]

Supplying & Feeding / Pump Systems

WPS PROFESSIONAL

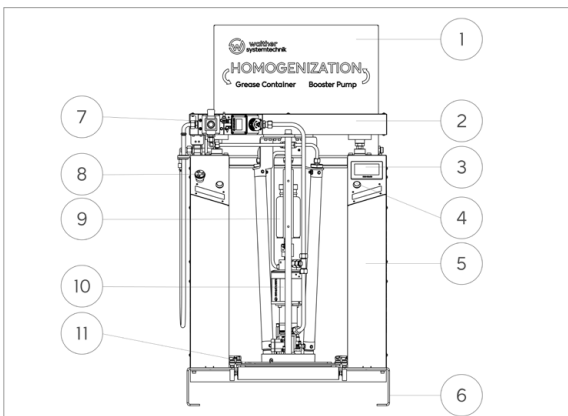
Supplying & Feeding / Pump Systems

WPS PROFESSIONAL WITH HOMOGENIZATION AND MEDIUM STORAGE



USAGE

WPS-Pump Systems in PROFESSIONAL design can be additionally equipped with a homogenization unit. In this case, viscous media which tend to bleed or separate (e.g. grease with a high particle portion) will be thoroughly blended. For this purpose, the surface medium in the container will be sucked off and transported to the container bottom via telescopic rods which punch through the medium. During this process, the medium will be additionally transported through special mixing elements which blend the ingredients again. This so-called homogenization process can be carried out after a replacement of containers or after a defined standing time of the container. To make sure that medium is continuously supplied during the homogenization process, the pump system comes with an additional medium storage with a capacity of 2000 [ccm]. WPS-Pump Systems in PROFESSIONAL design are also available without the homogenization unit, thus only with a medium storage for bridging the replacement of containers.



CONSTRUCTION

- 1 Homogenization unit with integrated medium storage
- 2 Pump lifter
- 3 Touch-Panel
- 4 Two-hand control (push buttons)
- 5 Basic frame
- 6 Frame
- 7 Order of components
- 8 Emergency OFF
- 9 Cup unit
- 10 Supply pump
- 11 Follower plate

Supplying & Feeding / Pump Systems

WPS PROFESSIONAL WITH HOMOGENIZATION AND MEDIUM STORAGE

HIGHLIGHTS

- Conditioning of separated / bleeding media before discharge into production system
- parameters of first homogenization (after container replacement) and intermediate homogenization (after defined time) can be entered separately
- integrated medium storage guarantees continuing medium discharge during first or intermediate homogenization
- expandable by various options

YOUR BENEFITS

- No rejects from bad medium application induced by medium separation
- possibility for medium conditioning on-site
- continuous medium discharge during the homogenization processes and during replacement of containers will guarantee an uninterrupted production

ORDER CODE

(* STANDARD OPTIONS)

WPS	-		-		-		-		-		-		-		-		-		-	
1		2		3		4		5		6		7		8		9		10		11

1	Designation	Walther Pump System	5	Filter Unit	150 150 [µm] 300 300 [µm] 500 500 [µm]	8	SAVE	0 no option S SAVE installed
2	Size	max. container size Ø 460 x 695 [mm]	6	Follower plate	00000 without follower plate FP100 follower plate (D=300 [mm]) FP101 follower plate (D=344 [mm]) FP102 follower plate (D=405 [mm]) FP103 follower plate (D=430 [mm]) FP104 follower plate (D=586 [mm])	9	Acoustic empty signal	0 without acoustic A with acoustic
3	Type	max. container size Ø 642 x 950 [mm] P Professional	7	Mobile	0 no option G mobile version	10	Options	0 no option S medium storage H homogenization with medium storage
4	Ratio	25 25:1	11	Index	0 no option			

Supplying & Feeding / Pump Systems

WPS PROFESSIONAL WITH HOMOGENIZATION AND MEDIUM STORAGE

STANDARD VARIANTS

Item number	Order Code	Item number	Order Code
50006357	WPS-2-P-25-150-00000-0-0-0-H-0	50008052	WPS-2-P-25-000-00000-G-0-A-H-0
50006360	WPS-2-P-25-150-00000-G-0-0-H-0	50008055	WPS-2-P-25-000-FPI00-0-0-A-H-0
50006363	WPS-2-P-25-150-FPI00-0-0-0-H-0	50008058	WPS-2-P-25-000-FPI00-G-0-A-H-0
50006366	WPS-2-P-25-150-FPI00-G-0-0-H-0	50008061	WPS-2-P-25-000-FPI01-0-0-A-H-0
50006369	WPS-2-P-25-150-FPI01-0-0-0-H-0	50008064	WPS-2-P-25-000-FPI01-G-0-A-H-0
50006372	WPS-2-P-25-150-FPI01-G-0-0-H-0	50008067	WPS-2-P-25-000-FPI02-0-0-A-H-0
50006375	WPS-2-P-25-150-FPI02-0-0-0-H-0	50008070	WPS-2-P-25-000-FPI02-G-0-A-H-0
50006378	WPS-2-P-25-150-FPI02-G-0-0-H-0	50008073	WPS-2-P-25-000-FPI03-0-0-A-H-0
50006381	WPS-2-P-25-150-FPI03-0-0-0-H-0	50008076	WPS-2-P-25-000-FPI03-G-0-A-H-0
50006384	WPS-2-P-25-150-FPI03-G-0-0-H-0	50008079	WPS-2-P-25-150-00000-0-0-A-H-0
50006387	WPS-2-P-25-300-00000-0-0-0-H-0	50008082	WPS-2-P-25-150-00000-G-0-A-H-0
50006390	WPS-2-P-25-300-00000-G-0-0-H-0	50008085	WPS-2-P-25-150-FPI00-0-0-A-H-0
50006393	WPS-2-P-25-300-FPI00-0-0-0-H-0	50008088	WPS-2-P-25-150-FPI00-G-0-A-H-0
50006396	WPS-2-P-25-300-FPI00-G-0-0-H-0	50008091	WPS-2-P-25-150-FPI01-0-0-A-H-0
50006399	WPS-2-P-25-300-FPI01-0-0-0-H-0	50008094	WPS-2-P-25-150-FPI01-G-0-A-H-0
50006402	WPS-2-P-25-300-FPI01-G-0-0-H-0	50008097	WPS-2-P-25-150-FPI02-0-0-A-H-0
50006405	WPS-2-P-25-300-FPI02-0-0-0-H-0	50008100	WPS-2-P-25-150-FPI02-G-0-A-H-0
50006408	WPS-2-P-25-300-FPI02-G-0-0-H-0	50008103	WPS-2-P-25-150-FPI03-0-0-A-H-0
50006411	WPS-2-P-25-300-FPI03-0-0-0-H-0	50008106	WPS-2-P-25-150-FPI03-G-0-A-H-0
50006414	WPS-2-P-25-300-FPI03-G-0-0-H-0	50008109	WPS-2-P-25-300-00000-0-0-A-H-0
50006417	WPS-2-P-25-500-00000-0-0-0-H-0	50008112	WPS-2-P-25-300-00000-G-0-A-H-0
50006420	WPS-2-P-25-500-00000-G-0-0-H-0	50008115	WPS-2-P-25-300-FPI00-0-0-A-H-0
50006423	WPS-2-P-25-500-FPI00-0-0-0-H-0	50008118	WPS-2-P-25-300-FPI00-G-0-A-H-0
50006426	WPS-2-P-25-500-FPI00-G-0-0-H-0	50008121	WPS-2-P-25-300-FPI01-0-0-A-H-0
50006429	WPS-2-P-25-500-FPI01-0-0-0-H-0	50008124	WPS-2-P-25-300-FPI01-G-0-A-H-0
50006432	WPS-2-P-25-500-FPI01-G-0-0-H-0	50008127	WPS-2-P-25-300-FPI02-0-0-A-H-0
50006435	WPS-2-P-25-500-FPI02-0-0-0-H-0	50008130	WPS-2-P-25-300-FPI02-G-0-A-H-0
50006438	WPS-2-P-25-500-FPI02-G-0-0-H-0	50008133	WPS-2-P-25-300-FPI03-0-0-A-H-0
50006441	WPS-2-P-25-500-FPI03-0-0-0-H-0	50008136	WPS-2-P-25-300-FPI03-G-0-A-H-0
50006444	WPS-2-P-25-500-FPI03-G-0-0-H-0	50008139	WPS-2-P-25-500-00000-0-0-A-H-0
50007932	WPS-2-P-25-000-00000-0-0-0-H-0	50008142	WPS-2-P-25-500-00000-G-0-A-H-0
50007933	WPS-2-P-25-000-00000-G-0-0-H-0	50008145	WPS-2-P-25-500-FPI00-0-0-A-H-0
50007934	WPS-2-P-25-000-FPI00-0-0-0-H-0	50008148	WPS-2-P-25-500-FPI00-G-0-A-H-0
50007935	WPS-2-P-25-000-FPI00-G-0-0-H-0	50008151	WPS-2-P-25-500-FPI01-0-0-A-H-0
50007936	WPS-2-P-25-000-FPI01-0-0-0-H-0	50008154	WPS-2-P-25-500-FPI01-G-0-A-H-0
50007937	WPS-2-P-25-000-FPI01-G-0-0-H-0	50008157	WPS-2-P-25-500-FPI02-0-0-A-H-0
50007938	WPS-2-P-25-000-FPI02-0-0-0-H-0	50008160	WPS-2-P-25-500-FPI02-G-0-A-H-0
50007939	WPS-2-P-25-000-FPI02-G-0-0-H-0	50008163	WPS-2-P-25-500-FPI03-0-0-A-H-0
50007940	WPS-2-P-25-000-FPI03-0-0-0-H-0	50008166	WPS-2-P-25-500-FPI03-G-0-A-H-0
50007941	WPS-2-P-25-000-FPI03-G-0-0-H-0	50008891	WPS-3-P-25-000-00000-0-0-0-H-0
50008049	WPS-2-P-25-000-00000-0-0-A-H-0	50008894	WPS-3-P-25-000-00000-0-0-A-H-0

Supplying & Feeding / Pump Systems

WPS PROFESSIONAL WITH HOMOGENIZATION AND MEDIUM STORAGE

Item number	Order Code	Item number	Order Code
50008897	WPS-3-P-25-000-00000-G-0-0-H-0	50009023	WPS-3-P-25-150-FPI04-0-0-0-H-0
50008900	WPS-3-P-25-000-00000-G-0-A-H-0	50009026	WPS-3-P-25-150-FPI04-0-0-A-H-0
50008903	WPS-3-P-25-000-FPI00-0-0-0-H-0	50009029	WPS-3-P-25-150-FPI04-G-0-0-H-0
50008906	WPS-3-P-25-000-FPI00-0-0-A-H-0	50009032	WPS-3-P-25-150-FPI04-G-0-A-H-0
50008909	WPS-3-P-25-000-FPI00-G-0-0-H-0	50009035	WPS-3-P-25-300-00000-0-0-0-H-0
50008912	WPS-3-P-25-000-FPI00-G-0-A-H-0	50009038	WPS-3-P-25-300-00000-0-0-A-H-0
50008915	WPS-3-P-25-000-FPI01-0-0-0-H-0	50009041	WPS-3-P-25-300-00000-G-0-0-H-0
50008918	WPS-3-P-25-000-FPI01-0-0-A-H-0	50009044	WPS-3-P-25-300-00000-G-0-A-H-0
50008921	WPS-3-P-25-000-FPI01-G-0-0-H-0	50009047	WPS-3-P-25-300-FPI00-0-0-0-H-0
50008924	WPS-3-P-25-000-FPI01-G-0-A-H-0	50009050	WPS-3-P-25-300-FPI00-0-0-A-H-0
50008927	WPS-3-P-25-000-FPI02-0-0-0-H-0	50009053	WPS-3-P-25-300-FPI00-G-0-0-H-0
50008930	WPS-3-P-25-000-FPI02-0-0-A-H-0	50009056	WPS-3-P-25-300-FPI00-G-0-A-H-0
50008933	WPS-3-P-25-000-FPI02-G-0-0-H-0	50009059	WPS-3-P-25-300-FPI01-0-0-0-H-0
50008936	WPS-3-P-25-000-FPI02-G-0-A-H-0	50009062	WPS-3-P-25-300-FPI01-0-0-A-H-0
50008939	WPS-3-P-25-000-FPI03-0-0-0-H-0	50009065	WPS-3-P-25-300-FPI01-G-0-0-H-0
50008942	WPS-3-P-25-000-FPI03-0-0-A-H-0	50009068	WPS-3-P-25-300-FPI01-G-0-A-H-0
50008945	WPS-3-P-25-000-FPI03-G-0-0-H-0	50009071	WPS-3-P-25-300-FPI02-0-0-0-H-0
50008948	WPS-3-P-25-000-FPI03-G-0-A-H-0	50009074	WPS-3-P-25-300-FPI02-0-0-A-H-0
50008951	WPS-3-P-25-000-FPI04-0-0-0-H-0	50009077	WPS-3-P-25-300-FPI02-G-0-0-H-0
50008954	WPS-3-P-25-000-FPI04-0-0-A-H-0	50009080	WPS-3-P-25-300-FPI02-G-0-A-H-0
50008957	WPS-3-P-25-000-FPI04-G-0-0-H-0	50009083	WPS-3-P-25-300-FPI03-0-0-0-H-0
50008960	WPS-3-P-25-000-FPI04-G-0-A-H-0	50009086	WPS-3-P-25-300-FPI03-0-0-A-H-0
50008963	WPS-3-P-25-150-00000-0-0-0-H-0	50009089	WPS-3-P-25-300-FPI03-G-0-0-H-0
50008966	WPS-3-P-25-150-00000-0-0-A-H-0	50009092	WPS-3-P-25-300-FPI03-G-0-A-H-0
50008969	WPS-3-P-25-150-00000-G-0-0-H-0	50009095	WPS-3-P-25-300-FPI04-0-0-0-H-0
50008972	WPS-3-P-25-150-00000-G-0-A-H-0	50009098	WPS-3-P-25-300-FPI04-0-0-A-H-0
50008975	WPS-3-P-25-150-FPI00-0-0-0-H-0	50009101	WPS-3-P-25-300-FPI04-G-0-0-H-0
50008978	WPS-3-P-25-150-FPI00-0-0-A-H-0	50009104	WPS-3-P-25-300-FPI04-G-0-A-H-0
50008981	WPS-3-P-25-150-FPI00-G-0-0-H-0	50009107	WPS-3-P-25-500-00000-0-0-0-H-0
50008984	WPS-3-P-25-150-FPI00-G-0-A-H-0	50009110	WPS-3-P-25-500-00000-0-0-A-H-0
50008987	WPS-3-P-25-150-FPI01-0-0-0-H-0	50009113	WPS-3-P-25-500-00000-G-0-0-H-0
50008990	WPS-3-P-25-150-FPI01-0-0-A-H-0	50009116	WPS-3-P-25-500-00000-G-0-A-H-0
50008993	WPS-3-P-25-150-FPI01-G-0-0-H-0	50009119	WPS-3-P-25-500-FPI00-0-0-0-H-0
50008996	WPS-3-P-25-150-FPI01-G-0-A-H-0	50009122	WPS-3-P-25-500-FPI00-0-0-A-H-0
50008999	WPS-3-P-25-150-FPI02-0-0-0-H-0	50009125	WPS-3-P-25-500-FPI00-G-0-0-H-0
50009002	WPS-3-P-25-150-FPI02-0-0-A-H-0	50009128	WPS-3-P-25-500-FPI00-G-0-A-H-0
50009005	WPS-3-P-25-150-FPI02-G-0-0-H-0	50009131	WPS-3-P-25-500-FPI01-0-0-0-H-0
50009008	WPS-3-P-25-150-FPI02-G-0-A-H-0	50009134	WPS-3-P-25-500-FPI01-0-0-A-H-0
50009011	WPS-3-P-25-150-FPI03-0-0-0-H-0	50009137	WPS-3-P-25-500-FPI01-G-0-0-H-0
50009014	WPS-3-P-25-150-FPI03-0-0-A-H-0	50009140	WPS-3-P-25-500-FPI01-G-0-A-H-0
50009017	WPS-3-P-25-150-FPI03-G-0-0-H-0	50009143	WPS-3-P-25-500-FPI02-0-0-0-H-0
50009020	WPS-3-P-25-150-FPI03-G-0-A-H-0	50009146	WPS-3-P-25-500-FPI02-0-0-A-H-0

Supplying & Feeding / Pump Systems

WPS PROFESSIONAL WITH HOMOGENIZATION AND MEDIUM STORAGE

Item number	Order Code	Item number	Order Code
50009149	WPS-3-P-25-500-FPI02-G-0-0-H-0	50008033	WPS-2-P-25-000-FPI00-0-0-0-S-0
50009152	WPS-3-P-25-500-FPI02-G-0-A-H-0	50008035	WPS-2-P-25-000-FPI00-G-0-0-S-0
50009155	WPS-3-P-25-500-FPI03-0-0-0-H-0	50008037	WPS-2-P-25-000-FPI01-0-0-0-S-0
50009158	WPS-3-P-25-500-FPI03-0-0-A-H-0	50008039	WPS-2-P-25-000-FPI01-G-0-0-S-0
50009161	WPS-3-P-25-500-FPI03-G-0-0-H-0	50008041	WPS-2-P-25-000-FPI02-0-0-0-S-0
50009164	WPS-3-P-25-500-FPI03-G-0-A-H-0	50008043	WPS-2-P-25-000-FPI02-G-0-0-S-0
50009167	WPS-3-P-25-500-FPI04-0-0-0-H-0	50008045	WPS-2-P-25-000-FPI03-0-0-0-S-0
50009170	WPS-3-P-25-500-FPI04-0-0-A-H-0	50008047	WPS-2-P-25-000-FPI03-G-0-0-S-0
50009173	WPS-3-P-25-500-FPI04-G-0-0-H-0	50008050	WPS-2-P-25-000-00000-0-0-A-S-0
50009176	WPS-3-P-25-500-FPI04-G-0-A-H-0	50008053	WPS-2-P-25-000-00000-G-0-A-S-0
50006356	WPS-2-P-25-150-00000-0-0-0-S-0	50008056	WPS-2-P-25-000-FPI00-0-0-A-S-0
50006359	WPS-2-P-25-150-00000-G-0-0-S-0	50008059	WPS-2-P-25-000-FPI00-G-0-A-S-0
50006362	WPS-2-P-25-150-FPI00-0-0-0-S-0	50008062	WPS-2-P-25-000-FPI01-0-0-A-S-0
50006365	WPS-2-P-25-150-FPI00-G-0-0-S-0	50008065	WPS-2-P-25-000-FPI01-G-0-A-S-0
50006368	WPS-2-P-25-150-FPI01-0-0-0-S-0	50008068	WPS-2-P-25-000-FPI02-0-0-A-S-0
50006371	WPS-2-P-25-150-FPI01-G-0-0-S-0	50008071	WPS-2-P-25-000-FPI02-G-0-A-S-0
50006374	WPS-2-P-25-150-FPI02-0-0-0-S-0	50008074	WPS-2-P-25-000-FPI03-0-0-A-S-0
50006377	WPS-2-P-25-150-FPI02-G-0-0-S-0	50008077	WPS-2-P-25-000-FPI03-G-0-A-S-0
50006380	WPS-2-P-25-150-FPI03-0-0-0-S-0	50008080	WPS-2-P-25-150-00000-0-0-A-S-0
50006383	WPS-2-P-25-150-FPI03-G-0-0-S-0	50008083	WPS-2-P-25-150-00000-G-0-A-S-0
50006386	WPS-2-P-25-300-00000-0-0-0-S-0	50008086	WPS-2-P-25-150-FPI00-0-0-A-S-0
50006389	WPS-2-P-25-300-00000-G-0-0-S-0	50008089	WPS-2-P-25-150-FPI00-G-0-A-S-0
50006392	WPS-2-P-25-300-FPI00-0-0-0-S-0	50008092	WPS-2-P-25-150-FPI01-0-0-A-S-0
50006395	WPS-2-P-25-300-FPI00-G-0-0-S-0	50008095	WPS-2-P-25-150-FPI01-G-0-A-S-0
50006398	WPS-2-P-25-300-FPI01-0-0-0-S-0	50008098	WPS-2-P-25-150-FPI02-0-0-A-S-0
50006401	WPS-2-P-25-300-FPI01-G-0-0-S-0	50008101	WPS-2-P-25-150-FPI02-G-0-A-S-0
50006404	WPS-2-P-25-300-FPI02-0-0-0-S-0	50008104	WPS-2-P-25-150-FPI03-0-0-A-S-0
50006407	WPS-2-P-25-300-FPI02-G-0-0-S-0	50008107	WPS-2-P-25-150-FPI03-G-0-A-S-0
50006410	WPS-2-P-25-300-FPI03-0-0-0-S-0	50008110	WPS-2-P-25-300-00000-0-0-A-S-0
50006413	WPS-2-P-25-300-FPI03-G-0-0-S-0	50008113	WPS-2-P-25-300-00000-G-0-A-S-0
50006416	WPS-2-P-25-500-00000-0-0-0-S-0	50008116	WPS-2-P-25-300-FPI00-0-0-A-S-0
50006419	WPS-2-P-25-500-00000-G-0-0-S-0	50008119	WPS-2-P-25-300-FPI00-G-0-A-S-0
50006422	WPS-2-P-25-500-FPI00-0-0-0-S-0	50008122	WPS-2-P-25-300-FPI01-0-0-A-S-0
50006425	WPS-2-P-25-500-FPI00-G-0-0-S-0	50008125	WPS-2-P-25-300-FPI01-G-0-A-S-0
50006428	WPS-2-P-25-500-FPI01-0-0-0-S-0	50008128	WPS-2-P-25-300-FPI02-0-0-A-S-0
50006431	WPS-2-P-25-500-FPI01-G-0-0-S-0	50008131	WPS-2-P-25-300-FPI02-G-0-A-S-0
50006434	WPS-2-P-25-500-FPI02-0-0-0-S-0	50008134	WPS-2-P-25-300-FPI03-0-0-A-S-0
50006437	WPS-2-P-25-500-FPI02-G-0-0-S-0	50008137	WPS-2-P-25-300-FPI03-G-0-A-S-0
50006440	WPS-2-P-25-500-FPI03-0-0-0-S-0	50008140	WPS-2-P-25-500-00000-0-0-A-S-0
50006443	WPS-2-P-25-500-FPI03-G-0-0-S-0	50008143	WPS-2-P-25-500-00000-G-0-A-S-0
50008029	WPS-2-P-25-000-00000-0-0-0-S-0	50008146	WPS-2-P-25-500-FPI00-0-0-A-S-0
50008031	WPS-2-P-25-000-00000-G-0-0-S-0	50008149	WPS-2-P-25-500-FPI00-G-0-A-S-0

Supplying & Feeding / Pump Systems

WPS PROFESSIONAL WITH HOMOGENIZATION AND MEDIUM STORAGE

Item number	Order Code	Item number	Order Code
50008152	WPS-2-P-25-500-FPI01-0-0-A-S-0	50008998	WPS-3-P-25-150-FPI02-0-0-0-S-0
50008155	WPS-2-P-25-500-FPI01-G-0-A-S-0	50009001	WPS-3-P-25-150-FPI02-0-0-A-S-0
50008158	WPS-2-P-25-500-FPI02-0-0-A-S-0	50009004	WPS-3-P-25-150-FPI02-G-0-0-S-0
50008161	WPS-2-P-25-500-FPI02-G-0-A-S-0	50009007	WPS-3-P-25-150-FPI02-G-0-A-S-0
50008164	WPS-2-P-25-500-FPI03-0-0-A-S-0	50009010	WPS-3-P-25-150-FPI03-0-0-0-S-0
50008167	WPS-2-P-25-500-FPI03-G-0-A-S-0	50009013	WPS-3-P-25-150-FPI03-0-0-A-S-0
50008890	WPS-3-P-25-000-00000-0-0-0-S-0	50009016	WPS-3-P-25-150-FPI03-G-0-0-S-0
50008893	WPS-3-P-25-000-00000-0-0-A-S-0	50009019	WPS-3-P-25-150-FPI03-G-0-A-S-0
50008896	WPS-3-P-25-000-00000-G-0-0-S-0	50009022	WPS-3-P-25-150-FPI04-0-0-0-S-0
50008899	WPS-3-P-25-000-00000-G-0-A-S-0	50009025	WPS-3-P-25-150-FPI04-0-0-A-S-0
50008902	WPS-3-P-25-000-FPI00-0-0-0-S-0	50009028	WPS-3-P-25-150-FPI04-G-0-0-S-0
50008905	WPS-3-P-25-000-FPI00-0-0-A-S-0	50009031	WPS-3-P-25-150-FPI04-G-0-A-S-0
50008908	WPS-3-P-25-000-FPI00-G-0-0-S-0	50009034	WPS-3-P-25-300-00000-0-0-0-S-0
50008911	WPS-3-P-25-000-FPI00-G-0-A-S-0	50009037	WPS-3-P-25-300-00000-0-0-A-S-0
50008914	WPS-3-P-25-000-FPI01-0-0-0-S-0	50009040	WPS-3-P-25-300-00000-G-0-0-S-0
50008917	WPS-3-P-25-000-FPI01-0-0-A-S-0	50009043	WPS-3-P-25-300-00000-G-0-A-S-0
50008920	WPS-3-P-25-000-FPI01-G-0-0-S-0	50009046	WPS-3-P-25-300-FPI00-0-0-0-S-0
50008923	WPS-3-P-25-000-FPI01-G-0-A-S-0	50009049	WPS-3-P-25-300-FPI00-0-0-A-S-0
50008926	WPS-3-P-25-000-FPI02-0-0-0-S-0	50009052	WPS-3-P-25-300-FPI00-G-0-0-S-0
50008929	WPS-3-P-25-000-FPI02-0-0-A-S-0	50009055	WPS-3-P-25-300-FPI00-G-0-A-S-0
50008932	WPS-3-P-25-000-FPI02-G-0-0-S-0	50009058	WPS-3-P-25-300-FPI01-0-0-0-S-0
50008935	WPS-3-P-25-000-FPI02-G-0-A-S-0	50009061	WPS-3-P-25-300-FPI01-0-0-A-S-0
50008938	WPS-3-P-25-000-FPI03-0-0-0-S-0	50009064	WPS-3-P-25-300-FPI01-G-0-0-S-0
50008941	WPS-3-P-25-000-FPI03-0-0-A-S-0	50009067	WPS-3-P-25-300-FPI01-G-0-A-S-0
50008944	WPS-3-P-25-000-FPI03-G-0-0-S-0	50009070	WPS-3-P-25-300-FPI02-0-0-0-S-0
50008947	WPS-3-P-25-000-FPI03-G-0-A-S-0	50009073	WPS-3-P-25-300-FPI02-0-0-A-S-0
50008950	WPS-3-P-25-000-FPI04-0-0-0-S-0	50009076	WPS-3-P-25-300-FPI02-G-0-0-S-0
50008953	WPS-3-P-25-000-FPI04-0-0-A-S-0	50009079	WPS-3-P-25-300-FPI02-G-0-A-S-0
50008956	WPS-3-P-25-000-FPI04-G-0-0-S-0	50009082	WPS-3-P-25-300-FPI03-0-0-0-S-0
50008959	WPS-3-P-25-000-FPI04-G-0-A-S-0	50009085	WPS-3-P-25-300-FPI03-0-0-A-S-0
50008962	WPS-3-P-25-150-00000-0-0-0-S-0	50009088	WPS-3-P-25-300-FPI03-G-0-0-S-0
50008965	WPS-3-P-25-150-00000-0-0-A-S-0	50009091	WPS-3-P-25-300-FPI03-G-0-A-S-0
50008968	WPS-3-P-25-150-00000-G-0-0-S-0	50009094	WPS-3-P-25-300-FPI04-0-0-0-S-0
50008971	WPS-3-P-25-150-00000-G-0-A-S-0	50009097	WPS-3-P-25-300-FPI04-0-0-A-S-0
50008974	WPS-3-P-25-150-FPI00-0-0-0-S-0	50009100	WPS-3-P-25-300-FPI04-G-0-0-S-0
50008977	WPS-3-P-25-150-FPI00-0-0-A-S-0	50009103	WPS-3-P-25-300-FPI04-G-0-A-S-0
50008980	WPS-3-P-25-150-FPI00-G-0-0-S-0	50009106	WPS-3-P-25-500-00000-0-0-0-S-0
50008983	WPS-3-P-25-150-FPI00-G-0-A-S-0	50009109	WPS-3-P-25-500-00000-0-0-A-S-0
50008986	WPS-3-P-25-150-FPI01-0-0-0-S-0	50009112	WPS-3-P-25-500-00000-G-0-0-S-0
50008989	WPS-3-P-25-150-FPI01-0-0-A-S-0	50009115	WPS-3-P-25-500-00000-G-0-A-S-0
50008992	WPS-3-P-25-150-FPI01-G-0-0-S-0	50009118	WPS-3-P-25-500-FPI00-0-0-0-S-0
50008995	WPS-3-P-25-150-FPI01-G-0-A-S-0	50009121	WPS-3-P-25-500-FPI00-0-0-A-S-0

Supplying & Feeding / Pump Systems

WPS PROFESSIONAL WITH HOMOGENIZATION AND MEDIUM STORAGE

Item number	Order Code	Item number	Order Code
50009124	WPS-3-P-25-500-FP100-G-0-0-S-0	50009151	WPS-3-P-25-500-FP102-G-0-A-S-0
50009127	WPS-3-P-25-500-FP100-G-0-A-S-0	50009154	WPS-3-P-25-500-FP103-0-0-0-S-0
50009130	WPS-3-P-25-500-FP101-0-0-0-S-0	50009157	WPS-3-P-25-500-FP103-0-0-A-S-0
50009133	WPS-3-P-25-500-FP101-0-0-A-S-0	50009160	WPS-3-P-25-500-FP103-G-0-0-S-0
50009136	WPS-3-P-25-500-FP101-G-0-0-S-0	50009163	WPS-3-P-25-500-FP103-G-0-A-S-0
50009139	WPS-3-P-25-500-FP101-G-0-A-S-0	50009166	WPS-3-P-25-500-FP104-0-0-0-S-0
50009142	WPS-3-P-25-500-FP102-0-0-0-S-0	50009169	WPS-3-P-25-500-FP104-0-0-A-S-0
50009145	WPS-3-P-25-500-FP102-0-0-A-S-0	50009172	WPS-3-P-25-500-FP104-G-0-0-S-0
50009148	WPS-3-P-25-500-FP102-G-0-0-S-0	50009175	WPS-3-P-25-500-FP104-G-0-A-S-0

SPARE PARTS

Item number	Order Code	Designation
50000911	WZF-150-01	Filter cartridge 150 [µm]
50000912	WZF-300-01	Filter cartridge 300 [µm]
50000913	WZF-500-01	Filter cartridge 500 [µm]
50008300		Suction system
50000798		Air motor
50010813		Sealing set Air motor
50010814		Sealing set Suction system

ACCESSORIES

Item number	Order Code	Designation
50005192	FP100	Follower plate (D=300 [mm])
50005173	FP101	Follower plate (D=344 [mm])
50005164	FP102	Follower plate (D=405 [mm])
50005087	FP103	Follower plate (D=430 [mm])
50004998	FP104	Follower plate (D=586 [mm])
5000xxxx	WST-...	Barrel hood

TECHNICAL DATA

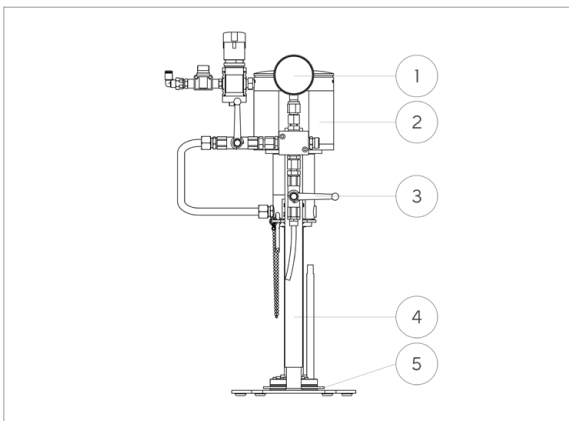
Process pressure	max 150 [bar]
Supplied volume	max. 1500 [cm ³ /min]
Container sizes	14 to 180 [l]
pneumatic inlet pressure	max.6 [bar]
Follower plate pressure	max. 6 [bar]
Weight (size 2)	xxx [kg]
Weight (size 3)	xxx [kg]
Dimensions l x w x h (size 2)	820 x 750 x 2000 [mm]
Dimensions l x w x h (size 3)	1050 x 700 x 2400 [mm]

Supplying & Feeding / Pump Systems

WPS PROFESSIONAL WITH HOMOGENIZATION AND MEDIUM STORAGE

Supplying & Feeding / Small-Scale Supply Units

SMALL-SCALE SUPPLY UNIT



HIGHLIGHTS

- Compact design
- supplies directly from original container
- long lifetime
- replaceable follower plate
- add-on set optionally available for empty signal

USAGE

Small-scale supply systems are cost-effective supply systems for supplying medium- and highly-viscous media directly from small containers. The supply system can be easily connected to dosing valves, spray valves and pulse valves via a high-pressure hose. We offer adapted follower plates for the different containers with their individual sizes.

CONSTRUCTION

- 1 Pressure gauge
- 2 Supply pump
- 3 Venting unit
- 4 Foot
- 5 Follower plate

YOUR BENEFITS

- Cost-efficient supply system for various applications

Supplying & Feeding / Small-Scale Supply Units

SMALL-SCALE SUPPLY UNIT

ORDER CODE

(* STANDARD OPTIONS)

WKF	-		-		-		-		-		-		-		-		-		-		-	
1		2		3		4		5		6		7		8		9		10		11		

1	Designation	3	Follower plate	4	Index
	Small-Scale Supply System	FP201	Follower plate (D=103 [mm])	01	Index 01
		FP202	Follower plate (D=200 [mm])		
		FP203	Follower plate (D=245 [mm])		
		FP204	Follower plate (D=175 [mm])		
2	Ratio				
25	25:1				

STANDARD VARIANTS

Item number	Order Code	Item number	Order Code
50010065	WKF-25-FP201-01	50010066	WKF-25-FP202-01

SPARE PARTS

Item number	Order Code	Designation
50008307		Frame Small-scale supply unit
50010070		Removal tool
50008300		Suction system
50000798		Air motor
50008366	FP201	Follower plate (D=103 [mm])
50008367	FP202	Follower plate (D=200 [mm])
50010813		Sealing set Air motor
50010814		Sealing set Suction system

ACCESSORIES

Item number	Order Code	Designation
50008378		Barrel hood 1 kg container
50008730		Barrel hood 5 kg container
50008377		Electric empty signal

Supplying & Feeding / Small-Scale Supply Units

SMALL-SCALE SUPPLY UNIT

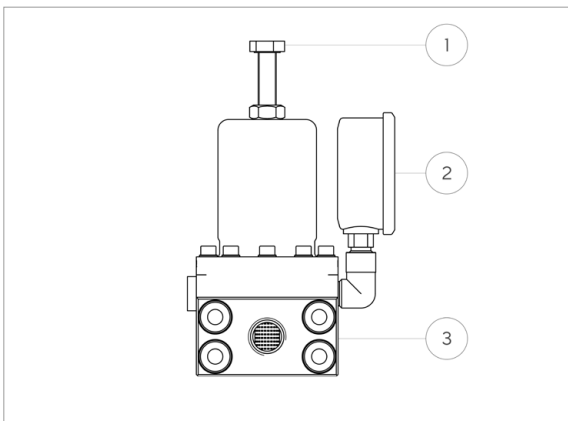
TECHNICAL DATA

Ratio	25:1	
pneumatic operating pressure	0 to 6 [bar]	
Process pressure	max. 150 [bar]	
Supply capacity	max. 1500 [cm ³ /min]	
Process connection	G1/4" Container height	max. 285 [mm]
Container inside diameter	90 – 200 [mm]	

TRANSFER AND TREATMENT

Transfer & Treatment / Pressure / Volume Flow

MATERIAL PRESSURE REGULATOR



USAGE

Material pressure regulators reduce the pressure of the supplied medium to the desired operating pressure and guarantee a constant medium flow. The desired operating pressure can be manually set on the device.

CONSTRUCTION

- 1 Adjusting screw
- 2 Pressure gauge
- 3 Housing

HIGHLIGHTS

- Highly dynamic controlling without stick-slip-effect
- low weight of components
- integrated filter sieve catches larger contaminations
- compensation of pulsations in supply line
- device from WALTHER MODULAR series, therefore smaller installation area, easy mounting and simplified maintenance

YOUR BENEFITS

- Very good controlling also with high differential pressure through the pressure regulator
- constant medium discharge also with pressure fluctuations at the pressure regulator inlet
- precise and accurate adjustment

Transfer & Treatment / Pressure / Volume Flow

MATERIAL PRESSURE REGULATOR

ORDER CODE

(* STANDARD OPTIONS)

WMDR	-		-		-		-		-		-		-		-		-		-		-	
1		2		3		4		5		6		7		8		9		10		11		

1	Designation	4	Pressure gauge connection 1	5	Pressure gauge connection 2
	Material Pressure Regulator	00	dummy plug	00	dummy plug
		MA	pressure gauge angled	MA	pressure gauge angled
2	Pressure Control Range	MS	pressure gauge straight	MS	pressure gauge straight
50	2 to 50 [bar]	DA	pressure sensor angled	DA	pressure sensor angled
3	Index	6	Option		
01	Index 01	0	no option		
		S	SAVE installed		

STANDARD VARIANTS

Item number	Order Code	Item number	Order Code
50000116	WMDR-50-01-00-MA-S	50000120	WMDR-50-01-MS-00-0
50000119	WMDR-50-01-00-MS-0	50000123	WMDR-50-01-DA-00-0
50000114	WMDR-50-01-00-00-0	50000117	WMDR-50-01-00-00-S
50000121	WMDR-50-01-00-DA-S	50000112	WMDR-50-01-MS-00-S
50000118	WMDR-50-01-00-MA-0	50000111	WMDR-50-01-MA-00-0
50000113	WMDR-50-01-DA-00-S	50000100	WMDR-50-01-MA-00-S
50000115	WMDR-50-01-00-MS-S	50000122	WMDR-50-01-00-DA-0

SPARE PARTS

Item number	Order Code	Designation
50000086		Filter sieve (630 ?m)
50000083		Membrane
50000087		Ball seat
50000091		Ceramic ball (7 mm)
50000148		Pressure sensor
50000102		Pressure gauge straight
50000101		Pressure gauge angled
50000154		Wearing parts set

Transfer & Treatment / Pressure / Volume Flow

MATERIAL PRESSURE REGULATOR

ACCESSORIES

Item number	Order Code	Designation
50000103		Holding angle WMDR
50000104		Save Material pressure regulator
50000xxx	MVS-xx-xx-01	Module connector set

TECHNICAL DATA

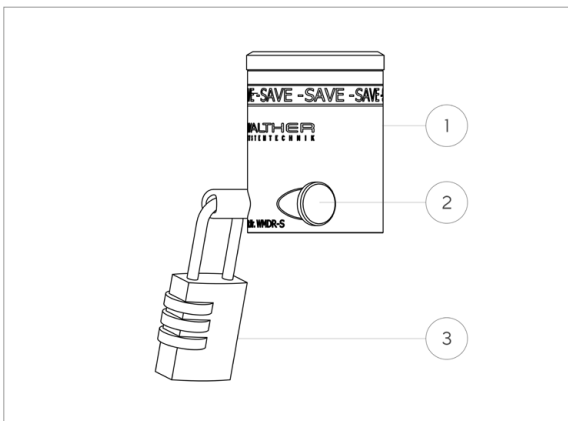
Operating pressure	max. 150 [bar]
Control range	2 to 50 [bar]
Dimensions l x w x h	102 x 79 x 187 [mm]
Weight	1,8 [kg]
Walther-Module length	2 [TE]
Connection	G1/2"i and flange Walther-Modular

Transfer & Treatment / Pressure / Volume Flow

MATERIAL PRESSURE REGULATOR

Transfer & Treatment / Pressure / Volume Flow

SAVE MATERIAL PRESSURE REGULATOR



HIGHLIGHTS

- Smallest dimensions
- easy and fast installation
- low weight
- access for authorized personnel only

USAGE

The SAVE for Material pressure regulators helps you avoid that unauthorized personnel will re-adjust the regulating screw for the setting of the operating pressure on the material pressure regulator. Only authorized personnel will have access with a code.

CONSTRUCTION

- 1 Safety cap
- 2 Safety bolt
- 3 Safety lock

YOUR BENEFITS

- Securing the settings of the material pressure regulator against unauthorized access
- safeguarding the process safety and capability

Transfer & Treatment / Pressure / Volume Flow

SAVE MATERIAL PRESSURE REGULATOR

ORDER CODE

(* STANDARD OPTIONS)

WMDR	-		-		-		-		-		-		-		-		-		-	
1		2		3		4		5		6		7		8		9		10		11

1	Designation	2	S
	SAVE Material		SAVE
	Pressure Regulator		

STANDARD VARIANTS

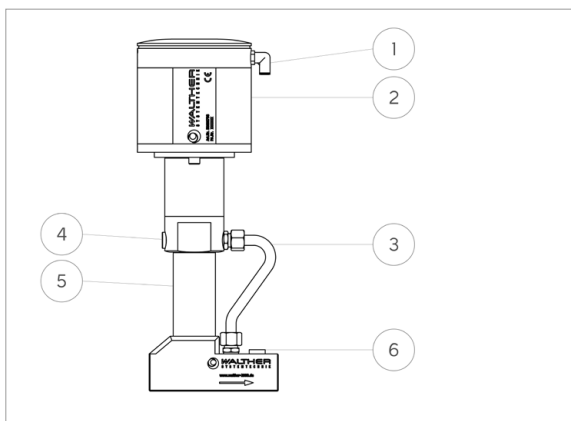
Item number	Order Code
50000104	WMDR-S

TECHNICAL DATA

Dimensions	Ø 38 x 45 [mm]
Weight	0,2 [kg]

Transfer & Treatment / Pressure / Volume Flow

BOOSTER PUMP



USAGE

The Walther Booster Pump is used to increase the line pressure for viscous media. For this purpose, the Booster Pump will be directly integrated into the medium supply line and functions as pressure intensifier.

CONSTRUCTION

- 1 Pneumatic connection
- 2 Air motor
- 3 Medium line
- 4 Venting screw
- 5 Suction tube
- 6 Connection medium inlet G1/2"
- 7 Locking screw
- 8 Connection medium outlet G1/2"

HIGHLIGHTS

- Integrated venting valve for venting after start of operation
- integrated check valve for reduction of pulsations
- device from WALTHER MODULAR series, therefore smaller installation area, easy mounting and simplified maintenance

YOUR BENEFITS

- Easy integration of the system into existing lubricant supplying systems
- with the help of the Walther Booster Pump, also long hose and pipe lines can be bridged without loss of pressure
- local increase of line pressure, directly at the location of action

Transfer & Treatment / Pressure / Volume Flow

BOOSTER PUMP

ORDER CODE

(* STANDARD OPTIONS)

WBP	-		-		-		-		-		-		-		-		-		-	
1		2		3		4		5		6		7		8		9		10		11

1	Designation	2	Ratio	3	Index
	Booster Pump	25	25:1	01	Index 01

STANDARD VARIANTS

Item number	Order Code
50000522	WBP-25-01

SPARE PARTS

Item number	Order Code	Designation
50000645		Venting screw
50000641		O-Ring
50000643		Piston pump
50000647		Check valve

ACCESSORIES

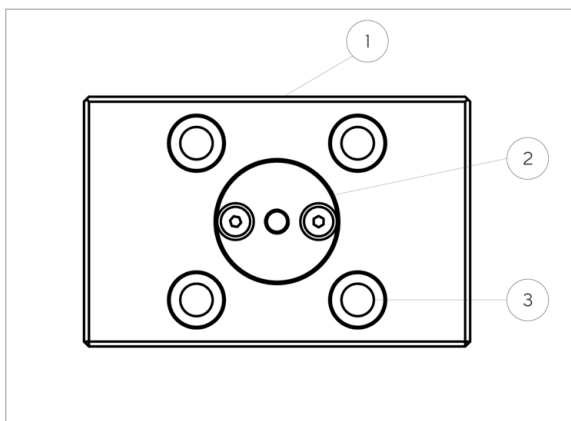
Item number	Order Code	Designation
50002782	PS1-250-G14-V	Pressure sensor 250 [bar]
50000336	WRV1/4VS-ED	Locking screw 1/4"

TECHNICAL DATA

Operating pressure (suction side)	max. 8 [bar]
Operating pressure (pressure side)	max. 250 [bar]
Dimensions l x w x h	153 x 79 x 417 [mm]
Weight	10,8 [kg]
Walther-Module length	3 [TE]
Connection	G1/2"i and flange Walther-Modular

Transfer & Treatment / Pressure / Volume Flow

PLUG-IN CUBE



HIGHLIGHTS

- Use is independent from viscosity of employed media
- replaceable insert can be exchanged fast and easy with dismounting aid
- device from WALTHER MODULAR series, therefore smaller installation area, easy mounting and simplified maintenance

USAGE

The Walther Plug-in Cube is a compact component with exchangeable insert, the so-called plug-in board. The plug-in board will reduce the volume flow of the medium in order to create a continuous volume flow, regardless of the viscosity of the medium.

CONSTRUCTION

- 1 Housing
- 2 Plug-in board
- 3 Countersunk borings for M6 screws

YOUR BENEFITS

- Limiting / setting the medium volume flow for defined pressure ratios
- this results in a continuous flow and a constant quantity of the medium

Transfer & Treatment / Pressure / Volume Flow

PLUG-IN CUBE

ORDER CODE

(* STANDARD OPTIONS)

WSB	-		-		-		-		-		-		-		-		-		-	
1		2		3		4		5		6		7		8		9		10		11

1	Designation	2	Opening	3	Index
	Plug-in Cube	10	1 [mm]	01	Index 01

STANDARD VARIANTS

Item number	Order Code
50000737	WSB-10-01

SPARE PARTS

Item number	Order Code	Designation
50000738		O-Ring
50000739		O-Ring
50000736		Plug-in board 1 [mm]

ACCESSORIES

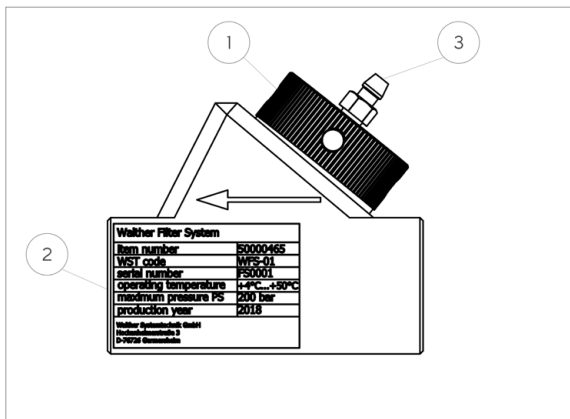
Item number	Order Code	Designation
50000xxx	MVS-xx-xx-01	Module connector set

TECHNICAL DATA

Operating pressure	max. 200 [bar]
Dimensions l x w x h	51 x 79 x 44 [mm]
Weight	0,3 [kg]
Walther-Module length	1 [TE]
Connection	G1/2"i and flange Walther-Modular

Transfer & Treatment / Filter

FILTER SYSTEM



HIGHLIGHTS

- Robust design of filter cartridge for large differential pressures
- integrated venting screw for venting the device after replacement of filter cartridge
- different mesh widths available for filter cartridges
- device from WALTHER MODULAR series, therefore smaller installation area, easy mounting and simplified maintenance

USAGE

The Filter System keeps contaminations from the medium volume flow in order to protect the attached process components. As a standard, different filter qualities are available in cartridges. With the integrated venting screw, you can easily vent the device after replacing a filter cartridge.

CONSTRUCTION

- 1 Locking screw
- 2 Medium connection
- 3 Venting device

YOUR BENEFITS

- Filter cartridge can be replaced easily and without tools
- reduction of unplanned machine/system standstills due to contaminations in fluid system

Transfer & Treatment / Filter

FILTER SYSTEM

ORDER CODE

(* STANDARD OPTIONS)

WFS	-		-		-		-		-		-		-		-		-		-	
1		2		3		4		5		6		7		8		9		10		11

1	Designation	2	Index
	Filter System	01	Index 01

STANDARD VARIANTS

Item number	Order Code
50000465	WFS-01

SPARE PARTS

Item number	Order Code	Designation
50000469		Venting screw G1/8"
50000477		Locking screw (lid)
50000577		O-Ring
60000110		Drain line

ACCESSORIES

Item number	Order Code	Designation
50000911	WZF-150-01	Filter cartridge 150 [µm]
50000912	WZF-300-01	Filter cartridge 300 [µm]
50000913	WZF-500-01	Filter cartridge 500 [µm]
50000xxx	MVS-xx-xx-01	Module connector set

TECHNICAL DATA

Operating pressure	max. 200 [bar]
Dimensions l x w x h	102 x 79 x 90 [mm]
Weight	1,2 [kg]
Walther-Module length	2 [TE]
Connection	G1/2"i and flange Walther-Modular



WADS "SCANS" YOUR MEDIUM FOR GAS INCLUSIONS

SIMPLY FREE FROM GAS AND BUBBLES: GIVE LUBRICANTS AN OPTIMUM PREPARATION FOR THE APPLICATION.

Gas inclusions in a lubricant significantly complicate the reproducibility and repeatability of industrial lubrication processes. Among other things, they can cause an early aging of the medium, reduced dosing quantities or in the worst case, damages on the dosing valve. The Walther Advanced Degassing

Station detects such gas inclusions already with a minimum size of 10 [mm³] (0,01 [mL]) and will transfer them outwards reliably, efficiently and cost-saving. It ensures a homogenous application image of the lubricant and will thereby increase and stabilize the application quality.

DETECTS GAS
INCLUSIONS IN
A MEDIUM AND
DISCHARGES
THEM: WADS-01

Page 86



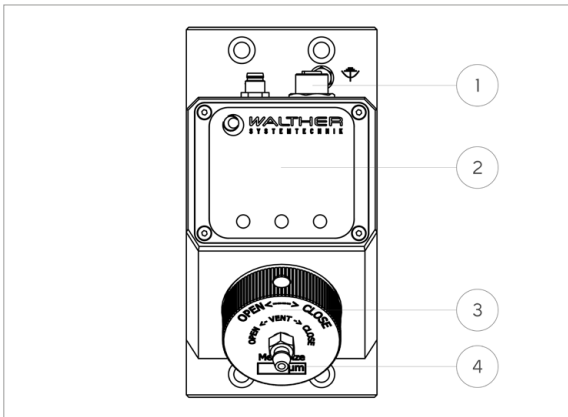
Transfer & Treatment / Filter

FILTER SYSTEM DIAGNOSE-CAPABLE



USAGE

The diagnose-capable Filter System keeps contaminations from the fluid system in order to protect the attached process components. Integrated electronics will constantly display the current contamination of the filter cartridge and will indicate a possible exceeding of the limit value. This helps you reduce unplanned machine standstills and increases the system availability. For the sake of a „predictive maintenance“, you can now plan the replacement of a filter cartridge, and it can be part of parallelly carried-out maintenance work. The diagnose-capable Filter System will also monitor process values such as inlet and outlet pressure, medium temperature, runtime of the filter cartridge as well as the frequency of an attached pump. For every process value, you can define separate limit values freely configurable digital outlets will indicate any exceeding or drop-below of the values.



CONSTRUCTION

- 1 Venting device
- 2 Locking screw
- 3 Medium connection
- 4 Electric connections
- 5 Operating panel

Transfer & Treatment / Filter

FILTER SYSTEM DIAGNOSE-CAPABLE

HIGHLIGHTS

- Continuous monitoring of filter contamination and of process values inlet / outlet pressure, runtime filter cartridge, pump frequency and medium temperature
- freely configurable alarm outlets for displaying limit value breaches of selected process values
- integrated display for parametering and status display
- field-bus connection for access to all available process and status values
- device from WALTHER MODULAR series, therefore smaller installation area, easy mounting and simplified maintenance

YOUR BENEFITS

- Thorough filtering of applied medium will prevent system failures and considerably increase the process safety
- with its extensive functions, the diagnose-capable Filter System is a highly efficient control unit for monitoring the fluid system it increases the output by a significantly better planned system availability.

ORDER CODE

(* STANDARD OPTIONS)

WFSD	-		-		-		-		-		-		-		-		-		-	
1		2		3		4		5		6		7		8		9		10		11

1	Designation	2	Index
	Filter System	01	Index 01
	Diagnose-capable		

STANDARD VARIANTS

Item number	Order Code
50000472	WFSD-01

SPARE PARTS

Item number	Order Code	Designation
50000469		Venting screw G1/8"
50000477		Locking screw (lid)
50000577		O-Ring
60000110		Drain line

Transfer & Treatment / Filter

FILTER SYSTEM DIAGNOSE-CAPABLE

ACCESSORIES

Item number	Order Code	Designation
50000911	WZF-150-01	Filter cartridge 150 [µm]
50000912	WZF-300-01	Filter cartridge 300 [µm]
50000913	WZF-500-01	Filter cartridge 500 [µm]
50000xxx	MVS-xx-xx-01	Module connector set
50000839	WZK-06U01-M08FA-OEOE-020	Connecting line M8 angled 2 [m]
50000838	WZK-06U01-M08FA-OEOE-050	Connecting line M8 angled 5 [m]
50000837	WZK-06U01-M08FA-OEOE-100	Connecting line M8 angled 10 [m]
50000836	WZK-06U01-M08FS-OEOE-020	Connecting line M8 straight 2 [m]
50000835	WZK-06U01-M08FS-OEOE-050	Connecting line M8 straight 5 [m]
50000834	WZK-06U01-M08FS-OEOE-100	Connecting line M8 straight 10 [m]
50003461	WZKB-02S01-M12MA-M12FS-003	BUS connecting line M12
50010434	WZKB-02S01-M12MS-M12FS-010	BUS connecting line M12
50010443	WZKB-02S01-M12MS-M12FS-020	BUS connecting line M12
50010445	WZKB-02S01-M12MS-M12FS-050	BUS connecting line M12
50010446	WZKB-02S01-M12MS-M12FS-100	BUS connecting line M12
50000922	WZKB-02S01-M12MS-OEOE-010	BUS connecting line M12
50000923	WZKB-02S01-M12MS-OEOE-050	BUS connecting line M12
50000918	WZKB-04S01-M12YD	Y-Distributor
50000919	WZKB-04S01-M12FS-TR	Terminating resistor

TECHNICAL DATA

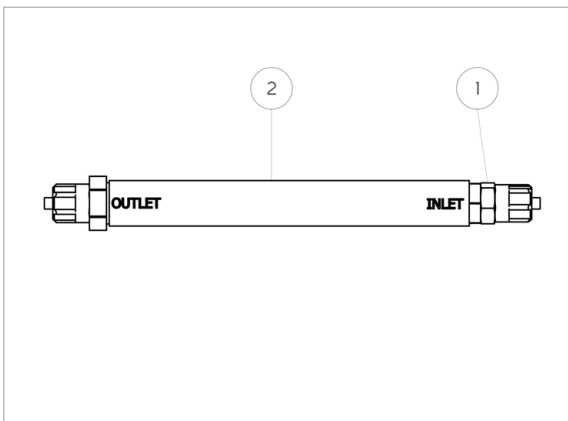
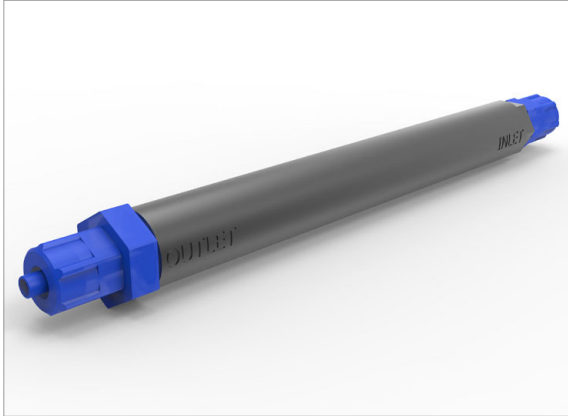
Operating pressure	max. 200 [bar]
Dimensions l x w x h	153 x 79 x 91 [mm]
Weight	1,9 [kg]
Walther-Module length	3 [TE]
Connection	G1/2"i and flange Walther-Modular
Supply voltage	24 [VDC]

Transfer & Treatment / Filter

FILTER SYSTEM DIAGNOSE-CAPABLE

Transfer & Treatment / Filter

INLINE FILTER



HIGHLIGHTS

- As required, the filters are available with different mesh widths
- The filter housing is made of stainless steel. This allows you to filter aggressive media, too.

USAGE

The Inline Filter keeps contaminations from the fluid system in order to protect attached process components. The Inline Filters can also be retrofitted easily into existing hose lines.

CONSTRUCTION

YOUR BENEFITS

- Filter cartridge can be replaced easily and fast
- reduction of unplanned machine/system standstills due to contaminations in fluid system

Transfer & Treatment / Filter

INLINE FILTER

ORDER CODE

(* STANDARD OPTIONS)

WIF	-		-		-		-		-		-	
1		2		3		4		5		6		7

1	Designation	3	Outlet	4	Mesh width
	Inline Filter	S64	plug-in connection 6/4	084	84 [µm]
2	Inlet			150	150 [µm]
S64	plug-in connection 6/4			320	320 [µm]
				510	510 [µm]

STANDARD VARIANTS

Item number	Order Code	Item number	Order Code
50008389	WIF-S64-S64-150	50008385	WIF-S64-S64-084
50008391	WIF-S64-S64-510	50008390	WIF-S64-S64-320

SPARE PARTS

Item number	Order Code	Designation
50008735	WIF-FK-510	Filter cartridge 510 [µm]
50008734	WIF-FK-320	Filter cartridge 320 [µm]
50008733	WIF-FK-150	Filter cartridge 150 [µm]
50008735	WIF-FK-084	Filter cartridge 84 [µm]

ACCESSORIES

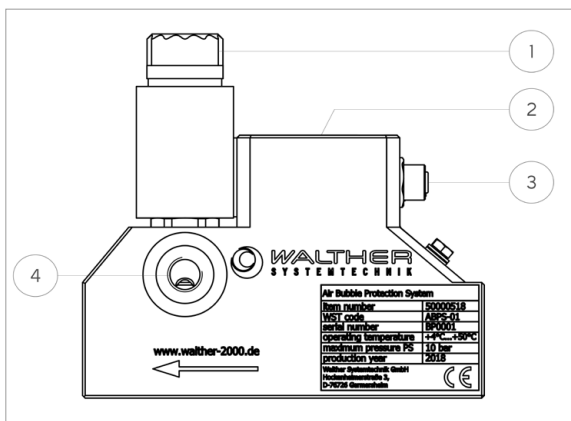
Item number	Order Code	Designation
-------------	------------	-------------

TECHNICAL DATA

Operating pressure	max 10 [bar]
Weight	0,2 [kg]
Material of main body	stainless steel
Dimensions	Ø 20 x 160 [mm]

Transfer & Treatment / Filter

AIR BUBBLE OUTWARD TRANSFER



USAGE

Our device for the outward transfer of air bubbles detects air bubbles in a medium flow and will automatically transfer them outwards. This helps reduce unplanned machine standstills and increases the system availability. In addition, the device monitors several process values and display them visually, or makes them available via the integrated BUS interface. For every process value, you can define separate limit values freely configurable alarm outlets will indicate any exceeding or drop-below of the values.

CONSTRUCTION

- 1 Magnetic Valve
- 2 Electric connections
- 3 Medium connections
- 4 Ventilation opening
- 5 Operating unit

HIGHLIGHTS

- Air inclusions in lubricants will be automatically detected and outward transferred
- size and number of air bubbles are monitored
- for each process value, limit values can be defined freely configurable alarm outlets will indicate any breaches
- device from WALTHER MODULAR series, therefore smaller installation area, easy mounting and simplified maintenance

YOUR BENEFITS

- Increase in process capability and also increase of Overall Equipment Effectiveness (OEE)
- recorded and gathered process values allow a retrospective on production conditions
- operation does not require specialist knowledge

Transfer & Treatment / Filter

AIR BUBBLE OUTWARD TRANSFER

ORDER CODE

(* STANDARD OPTIONS)

ABPS	-		-		-		-		-		-	
1		2		3		4		5		6		7

1	Designation	2	Index
	Air Bubble Outward Transfer	01	Index 01

STANDARD VARIANTS

Item number	Order Code
50000518	ABPS-01

ACCESSORIES

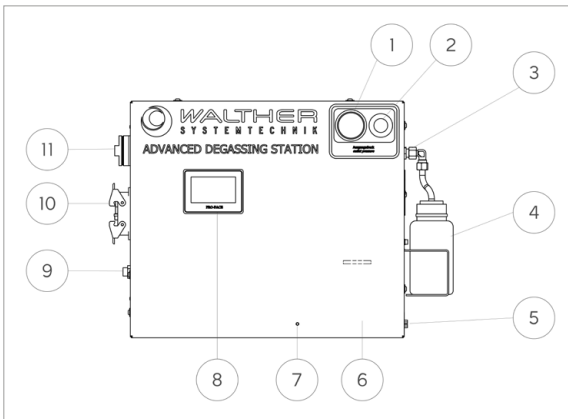
Item number	Order Code	Designation
50000336	WRV1/4VS-ED	Locking screw 1/4"
50000xxx	MVS-xx-xx-01	Module connector set
50000839	WZK-06U01-M08FA-OEOE-020	Connecting line M8 angled 10 [m]
50000838	WZK-06U01-M08FA-OEOE-050	Connecting line M8 angled 5 [m]
50000837	WZK-06U01-M08FA-OEOE-100	Connecting line M8 angled 10 [m]
50000836	WZK-06U01-M08FS-OEOE-020	Connecting line M8 straight 2 [m]
50000835	WZK-06U01-M08FS-OEOE-050	Connecting line M8 straight 5 [m]
50000834	WZK-06U01-M08FS-OEOE-100	Connecting line M8 straight 10 [m]
50003461	WZKB-02S01-M12MA-M12FS-003	BUS connecting line M12
50010434	WZKB-02S01-M12MS-M12FS-010	BUS connecting line M12
50010443	WZKB-02S01-M12MS-M12FS-020	BUS connecting line M12
50010445	WZKB-02S01-M12MS-M12FS-050	BUS connecting line M12
50010446	WZKB-02S01-M12MS-M12FS-100	BUS connecting line M12
50000922	WZKB-02S01-M12MS-OEOE-010	BUS connecting line M12
50000923	WZKB-02S01-M12MS-OEOE-050	BUS connecting line M12
50000918	WZKB-04S01-M12YD	Y-Distributor
50000919	WZKB-04S01-M12FS-TR	Terminating resistor

TECHNICAL DATA

Operating pressure	max. 10 [bar]
Dimensions l x w x h	153 x 79 x 139 [mm]
Weight	2,8 [kg]
Walther-Module length	3
Connection	G1/2"i and flange Walther-Modular
Operating voltage	24 [VDC]

Transfer & Treatment / Filter

ADVANCED DEGASSING STATION



USAGE

The Advanced Degassing Station detects gas inclusions in the medium volume flow and will transfer them outwards efficiently. It guarantees a homogenous application of the lubricant and thereby helps to increase and stabilize the quality of the application. Above that, the integrated medium storage is able to compensate an interruption in the medium supply. This provides for an uninterrupted medium supply. The system can be integrated as a stand-alone into existing systems, or it can become part of complex system control units through the provided communication interfaces.

CONSTRUCTION

- 1 Pressure gauge
- 2 Pressure regulator
- 3 Outlet pressure relief
- 4 Drain tray
- 5 Medium outlet G1/2"
- 6 Protection cover
- 7 Leakage boring
- 8 Operating panel
- 9 Tube connection with cutting ring
- 10 Harting-plug
- 11 Main switch

Transfer & Treatment / Filter

ADVANCED DEGASSING STATION

HIGHLIGHTS

- System can be easily integrated into existing fluid systems
- continuous detection and discharge of medium which is contaminated with air bubbles
- even smallest air bubbles will be detected and discharged
- simple and intuitive operation / direct parametering on operating panel (4,3" Touch-Display) or via remote access through BUS system
- monitoring of process values with limit value definitions and reporting of limit value breaches

YOUR BENEFITS

- Increase of process capability and also increase of Overall Equipment Effectiveness (OEE)
- continuous discharge of medium, regardless of air bubble detection
- very low loss of medium only that portion of medium is discharged which is contaminated with air bubbles
- integrated medium storage for an uninterrupted supply also during outward-transfer process or replacement of container

ORDER CODE

(* STANDARD OPTIONS)

WADS	-		-		-		-		-		-		-		-		-		-	
1		2		3		4		5		6		7		8		9		10		11

1 Designation
Advanced Degassing Station

2 Index
01 Index 01

STANDARD VARIANTS

Item number	Order Code
50000574	WADS-01

Transfer & Treatment / Filter

ADVANCED DEGASSING STATION

SPARE PARTS

Item number	Order Code	Designation
50000743		Screw-in seat valve
50000095	WMDR-50-01	Walther Modular Pressure Regulator
50000737	WSB-10-01	Walther Plug-in Cube
50000518	ABPS-01	Air Bubble Protection System
50000437	WGC-A-2000-01	Walther Grease Container
50000457		Bursting screw 10 [bar]
50000522	WBP-25-01	Walther Booster Pump
50000761		Glycerine pressure gauge 160 [bar]
50000258		Pressure control valve
50000546	WADS-Z005	Grease drain container
50000764		Pressure control valve Grease Container
50000548		Magnetic coil 1/4

ACCESSORIES

Item number	Order Code	Designation
-------------	------------	-------------

TECHNICAL DATA

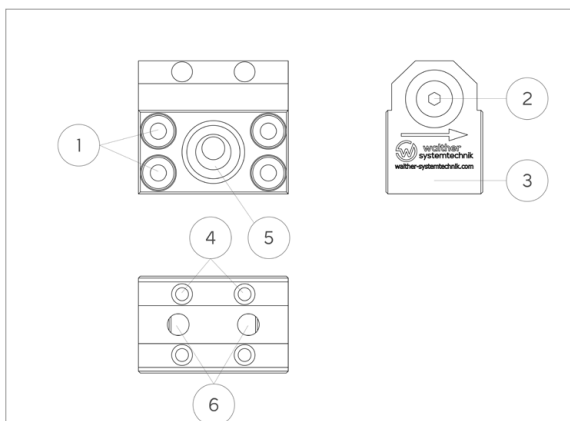
Process pressure (inlet)	20 to 150 [bar]
Process pressure (outlet)	max. 200 [bar]
Middle volume flow	max. 100 [ccm/min]
short-term volume flow	max. 1500 [ccm/min]
Suitable media	Lubricants up to NLGI 3 / 5000 [mPas]
Weight	18,0 [kg]
Dimensions l x w x h	759 x 268 x 514 [mm]

Transfer & Treatment / Filter

ADVANCED DEGASSING STATION

Transfer & Treatment / Distributor

DISTRIBUTOR MODULE



HIGHLIGHTS

- Can be equipped and expanded with 1/4" functional assembly groups
- device from WALTHER MODULAR series, therefore smaller installation area, easy mounting and simplified maintenance

USAGE

The Distributor Module distributes the medium volume flow to up four (five) process outlets. Stringing together several Distributor modules allows you to increase the number of process outlets in a small working area.

CONSTRUCTION

- 1 Borings for module connector set
- 2 Locking screw
- 3 Module housing
- 4 Fastening borings
- 5 Medium inlet and outlet opposite
- 6 Distributor borings

YOUR BENEFITS

- Little installation space due to WALTHER-MODULAR design
- cost-attractive alternative for T-pieces and pipe screw joints

Transfer & Treatment / Distributor

DISTRIBUTOR MODULE

ORDER CODE

(* STANDARD OPTIONS)

WVM	-		-		-		-		-		-		-		-		-		-	
1		2		3		4		5		6		7		8		9		10		11

1	Designation	2	Number Outlets	3	Index
	Distributor Module	04	each	01	Index 01

STANDARD VARIANTS

Item number	Order Code
50002826	WVM-04-01

ACCESSORIES

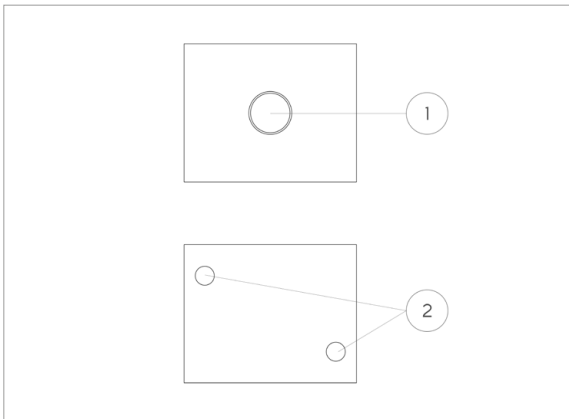
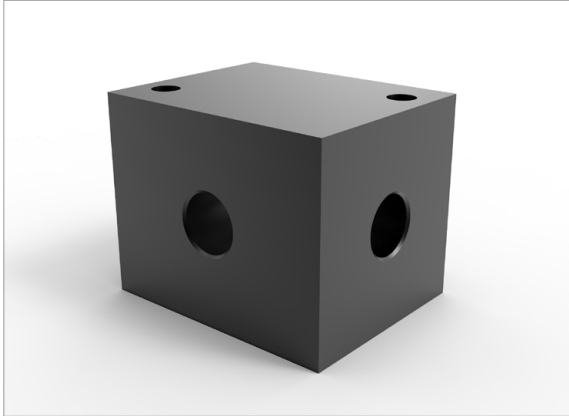
Item number	Order Code	Designation
50000336	WRV1/4VS-ED	Locking screw 1/4"
50000xxx	MVS-xx-xx-01	Module connector set

TECHNICAL DATA

Operating pressure	max. 250 [bar]
Dimensions l x w x h	51 x 79 x 70 [mm]
Weight	0,55 [kg]
Walther-Module length	1 [TE]
Connection 1	G1/2"i and flange Walther-Modular
Connection 2	4 x G1/4"i

Transfer & Treatment / Distributor

MATERIAL DISTRIBUTOR



USAGE

The Material Distributor will be directly integrated into the hose line and divides it to several process outlets (up to 8 outlets).

CONSTRUCTION

- 1 Material distributor inlets and outlets
- 2 Fastening borings

HIGHLIGHTS

- Can be equipped or expanded with 1/4" functional assembly groups
- connection for optional pressure gauge

YOUR BENEFITS

- Cost-attractive alternative for T-pieces and pipe screw joints

Transfer & Treatment / Distributor

MATERIAL DISTRIBUTOR

ORDER CODE

(* STANDARD OPTIONS)

WMV	-		-		-		-		-		-		-		-		-		-	
1		2		3		4		5		6		7		8		9		10		11

1	Designation	3	Model	5	Outlet flange
	Material Distributor	K	cubic	14	G1/4"
		F	flat	38	G3/8"
2	Number Outlets	4	Inlet flange	6	Index
03	3 outlets	14	G1/4"	01	Index 01
04	4 outlets	38	G3/8"		
08	8 outlets	12	G1/2"		

STANDARD VARIANTS

Item number	Order Code	Item number	Order Code
50007906	WMV-03-K-14-14-01	50007882	WMV-04-F-12-38-01
50007884	WMV-04-F-38-14-01	50007871	WMV-08-F-12-38-01

SPARE PARTS

Item number	Order Code	Designation
50003441		Venting screw

ACCESSORIES

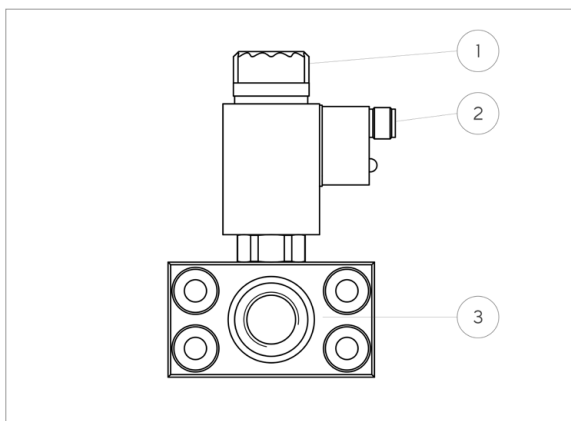
Item number	Order Code	Designation
50000336	WRV1/4VS-ED	Locking screw 1/4"
50000458	WRV3/8VS-ED	Locking screw 3/8"
50003453		Mounting angle for WMV-08-F-12-38-01

TECHNICAL DATA

Operating pressure	max. 200 [bar]
--------------------	----------------

Transfer & Treatment / Distributor

MEDIUM SWITCH



USAGE

The Media Switches are way-valves, completely electrically controlled, in a compact design for lower- to highly-viscous and pressured media. The Media Switches are available as 2/2-way (normal open and closed) and 3/2-way valves. The product range is completed by a special 2/2-way valve which remains permanently open in the flow axis and is able to open / close a side outlet simultaneously.

CONSTRUCTION

- 1 Screw-in poppet valve
- 2 Electric connection
- 3 Module body

HIGHLIGHTS

- Valves available for many applications (3/2, 2/2 NO / NC)
- compact design compared to electro-pneumatic ball valves
- fast switching times (< 50 [ms]) and switch frequencies possible
- low-wear operation, particularly compared to ball valves

YOUR BENEFITS

- Completely electrically controlled, operation does not require compressed air supply
- room-saving material pressure reliefs are possible
- little maintenance effort
- device from WALTHER MODULAR series, therefore smaller installation area, easy mounting and simplified maintenance

Transfer & Treatment / Distributor

MEDIUM SWITCH

ORDER CODE

(* STANDARD OPTIONS)

WG	V	-		-		-		-		-		-		-		-		-		-	
1	2	3	4	5	6	7	8	9	10	11											

1	Designation	3	Index	4	Type
	Medium Switch	01	Index 01	NC	Normally closed
2	Valve Type			NO	Normally Open
32	3/2 way-valve			T-NC	Normally closed (T variant)
22	2/2 way-valve			T-NO	Normally Open (T variant)

STANDARD VARIANTS

Item number	Order Code	Item number	Order Code
50000783	WGV-22-01-NC	50000786	WGV-22-01-T-NO
50000784	WGV-22-01-NO	50000789	WGV-32-01
50000785	WGV-22-01-T-NC		

SPARE PARTS

Item number	Order Code	Designation
50005136		2/2 Screw-in seat valve NC
50005138		2/2 Screw-in seat valve NO
50005137		3/2 Screw-in seat valve
50005215		Valve plug with energy saving function 10 [m] cable
50000818		Locking screw G1/2

ACCESSORIES

Item number	Order Code	Designation
50003277	WGV-01-RF	Assembly group for Material Pressure Relief
50000xxx	MVS-xx-xx-01	Module connector set

Transfer & Treatment / Distributor

MEDIUM SWITCH

TECHNICAL DATA

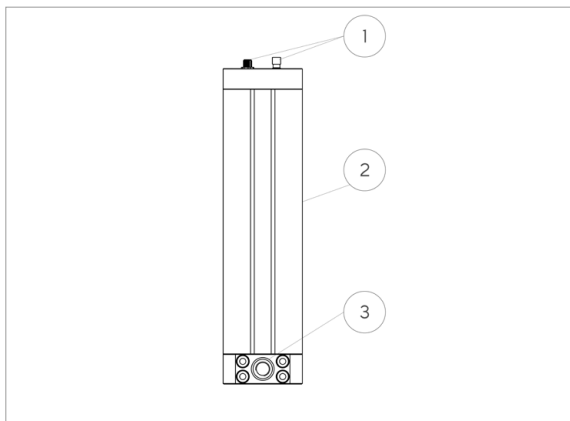
Operating pressure	max. 200 [bar]
Dimensions l x w x h (version 2/2)	102 x 79 x 125 [mm]
Dimensions l x w x h (version 3/2)	102 x 79 x 143 [mm]
Weight (version 2/2)	1,2 [kg]
Weight (version 3/2)	1,5 [kg]
Walther-Module length	2 [TE]
Connection	G1/2"i and flange Walther-Modular

Transfer & Treatment / Distributor

MEDIUM SWITCH

Transfer & Treatment / Storage

MEDIUM STORAGE



USAGE

The Medium Storage is used for an interim storage of the medium and medium discharge. For this purpose, a cylinder with a floating piston is used where we apply compressed air to one side. An integrated position sensor will constantly provide the filling level information.

CONSTRUCTION

- 1 Electric connections
- 2 Medium storage
- 3 Medium inlet

HIGHLIGHTS

- Integrated filling level sensor for a continuous measuring of storage contents with an analog electric interface
- safety equipment to prevent overpressure in the medium storage
- constructional protection against an overflow of compressed air into the medium-carrying area of the medium storage
- device from WALTHER MODULAR series, therefore smaller installation area, easy mounting and simplified maintenance

YOUR BENEFITS

- Bridging of standstills in medium supply, e.g. during a replacement of containers or refills

Transfer & Treatment / Storage

MEDIUM STORAGE

ORDER CODE

(* STANDARD OPTIONS)

WGC	-		-		-		-		-		-		-		-		-		-	
1		2		3		4		5		6		7		8		9		10		11

1	Designation Medium Storage	2	Type Distance Measuring System A Analog-ratiometric	3	Filling volume 2000 2000 [ccm]	4	Index 01 Index 01
----------	-------------------------------	----------	---	----------	-----------------------------------	----------	----------------------

STANDARD VARIANTS

Item number	Order Code
50000437	WGC-A-2000-01

SPARE PARTS

Item number	Order Code	Designation
50000457		Bursting screw 10 [bar]
50000626		O-Ring
50000452		Detector
50000639		Spiral hose
50000633		Quad-ring
50000634		Piston gasket
50000636		Guiding band
50000458	WVSRV-3/8-VS-ED	Locking screw

ACCESSORIES

Item number	Order Code	Designation
50000xxx	MVS-xx-xx-01	Module connector set
50000833	WZK-04U01-M12FA-OEOE-020	Connecting cable 0,2m angled
50000840	WZK-04U01-M12FA-OEOE-050	Connecting cable 0,5m angled
50003413	WZK-04U01-M12FS-OEOE-020	Connecting cable 0,2m straight

Transfer & Treatment / Storage

MEDIUM STORAGE

TECHNICAL DATA

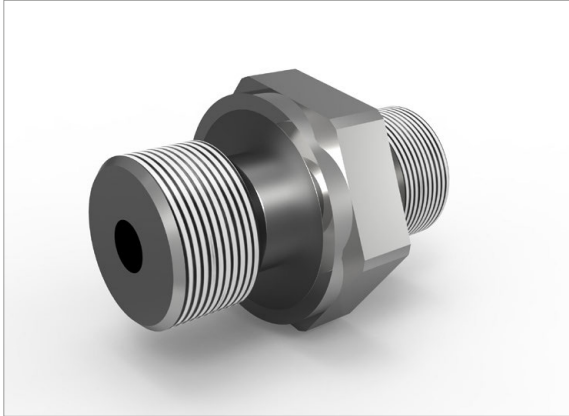
Operating pressure	max. 10 [bar]
Filling volume	max. 2000 [ccm]
Dimensions l x w x h	153 x 115 x 457 [mm]
Weight	5,8 [kg]
Walther-Module length	3 [TE]
Connection	G1/2"i and flange Walther-Modular

Transfer & Treatment / Storage

MEDIUM STORAGE

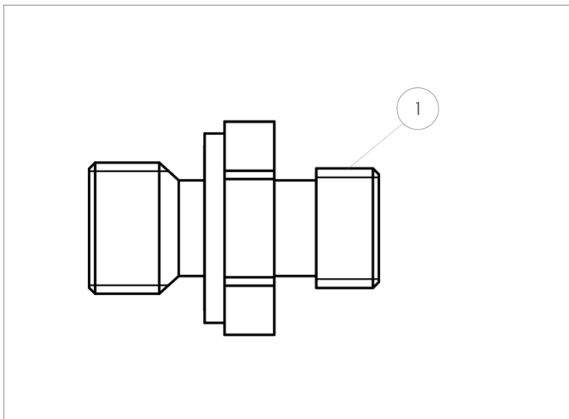
Transfer & Treatment / Connecting Elements / Screw Joints / Screw-Joint for WMS-HD...

SCREW-IN SCREW JOINT GE/ED (INCH)



USAGE

The straight screw-in Screw Joints GE/ED (inch) will be used to connect Fluid Hoses and functional components. The screw-in Screw Joints are suitable for the Material Hoses WMS-HD and have an external thread on both sides.



CONSTRUCTION

1 Screw-in screw joint GE/ED (inch)

Transfer & Treatment / Connecting Elements / Screw Joints / Screw-Joint for WMS-HD...

SCREW-IN SCREW JOINT GE/ED (INCH)

ORDER CODE

(* STANDARD OPTIONS)

WERV	-		-		-		-		-		-	
1		2		3		4		5		6		7

1	Designation	3	Type	6	Type of thread II (outer thread)
	Walther Screw-in Pipe Screw Joint	GE	straight connection*	R	inch*
				M	metric
2	RA Pipe diameter (thread I)	4	Thread II (opposite)	7	Union nut
06	M12x1,5*	1/8	G1/8*	00	with union nut
08	M14x1,5*	1/4	G1/4*	KÖ	without union nut**
10	M16x1,5*	3/8	G3/8*		
12	M18x1,5*	1/2	G1/2*	8	Sealing type
15	M22x1,5*	3/4	G3/4	ED	flat sealing soft*
18	M26x1,5	5	Model	00	flat sealing metal
22	M30x2,0	L	light*		
		S	heavy		

STANDARD VARIANTS

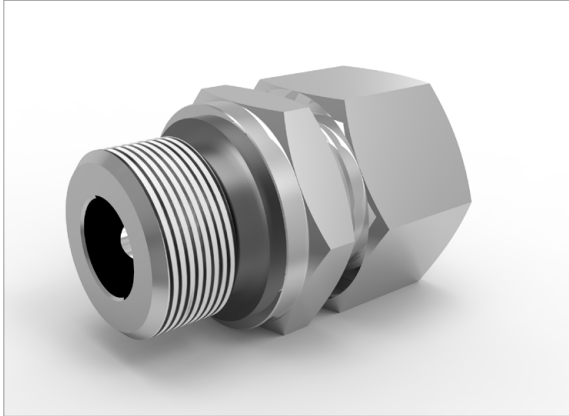
Item number	Order Code	Item number	Order Code
50008015	WERV-06-GE-1/4-L-R-KÖ-ED	50001321	WERV-10-GE-3/8-L-R-KÖ-ED
50007994	WERV-06-GE-1/8-L-R-KÖ-ED	50001312	WERV-10-GE-1/4-L-R-KÖ-ED
50002507	WERV-08-GE-1/8-L-R-KÖ-ED	50000335	WERV-12-GE-1/2-L-R-KÖ-ED
50002133	WERV-08-GE-3/8-L-R-KÖ-ED	50000528	WERV-12-GE-1/4-L-R-KÖ-ED
50007139	WERV-08-GE-1/4-L-R-KÖ-ED	50000604	WERV-12-GE-3/8-L-R-KÖ-ED
50000603	WERV-10-GE-1/2-L-R-KÖ-ED	50001141	WERV-15-GE-3/8-L-R-KÖ-ED
50001320	WERV-10-GE-1/8-L-R-KÖ-ED	50001314	WERV-15-GE-1/2-L-R-KÖ-ED

TECHNICAL DATA

Model	straight
Sealing	soft sealing
Operating pressure	up to 315 [bar]
Material	steel
Surface	chrome

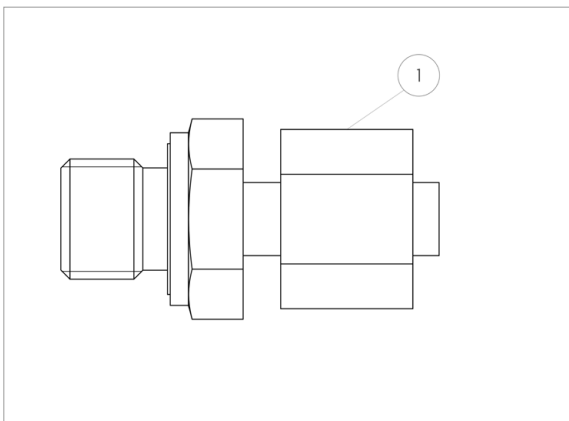
Transfer & Treatment / Connecting Elements / Screw Joints / Screw-Joint for WMS-HD...

SCREW-IN CONNECTING PIECE, PRE-MOUNTED GES/ED (INCH)



USAGE

The straight screw-in Connection Pieces GES/ED (inch) are pre-mounted and will be used for connecting Fluid Hoses and functional components. The screw-in connection pieces are suitable for the Material Hoses WMS-HD. They come with an external and an internal thread.



CONSTRUCTION

- 1 Screw-in connecting piece pre-mounted GES/ED (inch)

Transfer & Treatment / Connecting Elements / Screw Joints / Screw-Joint for WMS-HD...

SCREW-IN CONNECTING PIECE, PRE-MOUNTED GES/ED (INCH)

ORDER CODE

(* STANDARD OPTIONS)

WESRV	-		-		-		-		-		-	
1		2		3		4		5		6		7

1	Designation	3	Type	5	Model
	Screw-in Connecting Piece, pre-mounted GES/ED (inch)	GES	straight adjustable connection*	L	light
				S	heavy
2	RA Pipe diameter Thread I (inner / outer thread)	4	Thread II (opposite)	6	Type of thread II (outer thread)
06	M12x1,5 G1/4	1/8	G1/8	R	inch*
08	M14x1,5 G1/4*	1/4	G1/4*	M	metric
10	M16x1,5 G1/4*	3/8	G3/8*	7	Sealing type
12	M18x1,5 G3/8*	1/2	G1/2*	ED	flat sealing soft*
15	M22x1,5 G1/2*	3/4	G3/4	00	flat sealing metal
18	M26x1,5 G1/2*				
22	M30x2,0 G3/4				

STANDARD VARIANTS

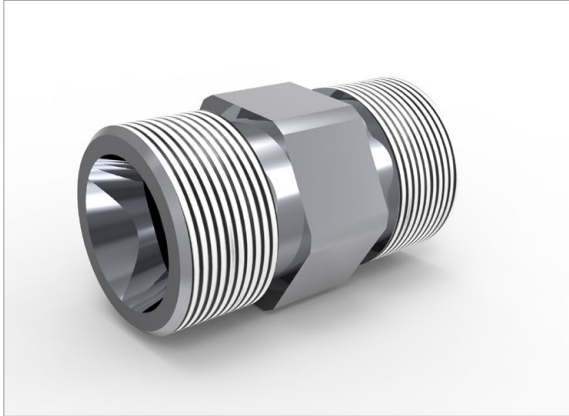
Item number	Order Code	Item number	Order Code
50002194	WESRV-08-GES-1/4-L-R-ED	50001148	WESRV-15-GES-1/2-L-R-ED
50000338	WESRV-10-GES-1/4-L-R-ED	50002786	WESRV-18-GES-1/2-L-R-ED
50008246	WESRV-12-GES-3/8-L-R-ED		

TECHNICAL DATA

Model	straight
Sealing	soft sealing
Operating pressure	up to 315 [bar]
Material	steel
Surface	chrome

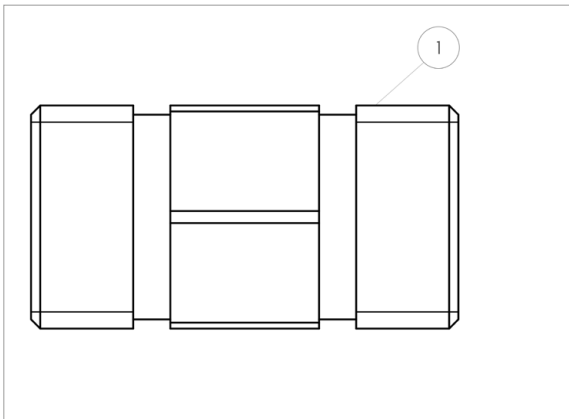
Transfer & Treatment / Connecting Elements / Screw Joints / Screw-Joint for WMS-HD...

CONNECTING SCREW JOINT G



USAGE

The connecting Screw-Joint G will be used for connecting Fluid Hoses and functional components. The Screw Joints are suitable for Material Hoses WMS-HD. The connecting screw-joints have an external thread on both sides.



CONSTRUCTION

1 Connecting screw joint G

Transfer & Treatment / Connecting Elements / Screw Joints / Screw-Joint for WMS-HD...

CONNECTING SCREW JOINT G

ORDER CODE

(* STANDARD OPTIONS)

WRV	-		-		-		-		-		-	
1		2		3		4		5		6		7

1	Designation Connecting Pipe Screw Joint	3	Type G straight connection*	5	Model L light* S heavy
2	RA Pipe diameter (thread I)	4	Thread II (opposite)	6	Union nut
06	M12x1,5*	06	M12x1,5*	00	with union nut
08	M14x1,5*	08	M14x1,5*	KÖ	without union nut*
10	M16x1,5*	10	M16x1,5*		
12	M18x1,5*	12	M18x1,5*		
15	M22x1,5*	15	M22x1,5*		
18	M26x1,5	18	M26x1,5		
22	M30x2,0	22	M30x2,0		

STANDARD VARIANTS

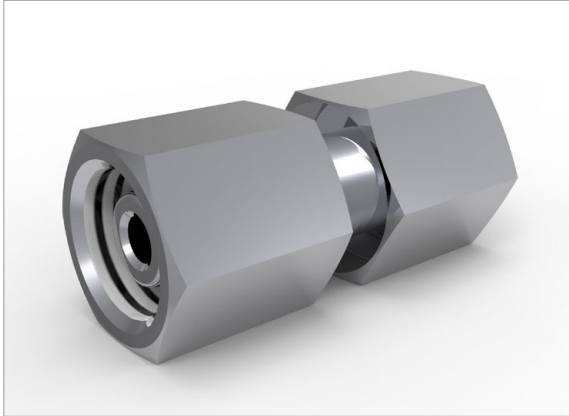
Item number	Order Code	Item number	Order Code
50008272	WVRV-06-G-06-L-KÖ	50000352	WVRV-12-G-12-L-KÖ
50008271	WVRV-08-G-08-L-KÖ	50004049	WVRV-15-G-15-L-KÖ
50003516	WVRV-10-G-10-L-KÖ		

TECHNICAL DATA

Model	straight
Sealing	soft sealing
Operating pressure	up to 315 [bar]
Material	steel
Surface	chrome

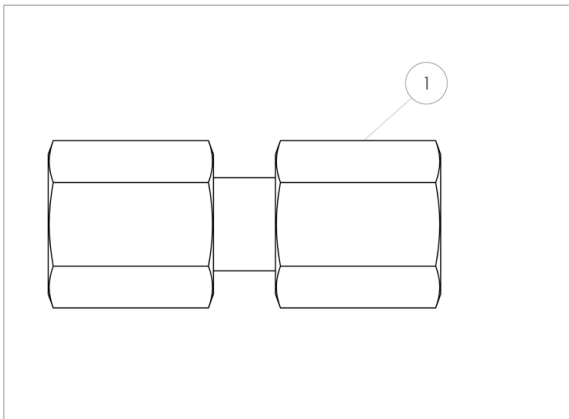
Transfer & Treatment / Connecting Elements / Screw Joints / Screw-Joint for WMS-HD...

REDUCTION CONNECTOR GVO



USAGE

The Reduction Connector GVO will be used for connecting Fluid Hoses and functional components. The screw joints are suitable for Material Hoses WMS-HD. The Reduction Connector has a metric internal thread on both sides.



CONSTRUCTION

1 Reduction connector GVO

Transfer & Treatment / Connecting Elements / Screw Joints / Screw-Joint for WMS-HD...

REDUCTION CONNECTOR GVO

ORDER CODE

(* STANDARD OPTIONS)

WRRV	-		-		-		-		-		-		-		-					
1		2		3		4		5		6		7		8		9		10		11

1	Designation	3	Model	5	Model
	Reduction Connector GVO	L	light	L	light*
		S	heavy	S	heavy
2	RA Pipe diameter (thread I)	4	RA Pipe diameter (thread II)	6	Sealing type
06	M12x1,5*	06	M12x1,5*	GVO	both sides with O-Ring*
08	M14x1,5*	08	M14x1,5*	GVOK	one side with O-Ring
10	M16x1,5*	10	M16x1,5*		
12	M18x1,5*	12	M18x1,5*		
15	M22x1,5*	15	M22x1,5*		
18	M26x1,5	18	M26x1,5		
22	M30x2,0	22	M30x2,0		

STANDARD VARIANTS

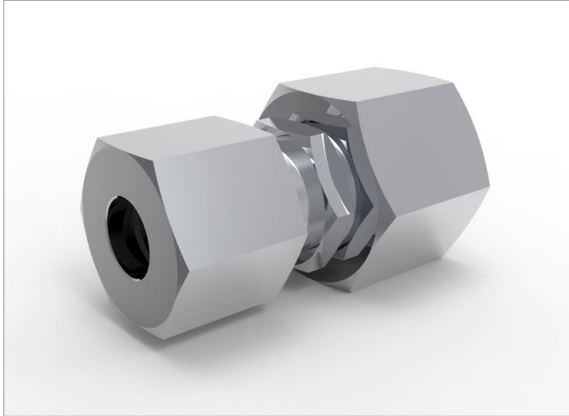
Item number	Order Code	Item number	Order Code
50008254	WRRV-06-L-06-L-GVO	50001086	WRRV-12-L-12-L-GVO
50008255	WRRV-08-L-08-L-GVO	50001623	WRRV-15-L-15-L-GVO
50000814	WRRV-10-L-10-L-GVO		

TECHNICAL DATA

Model	straight
Sealing	soft sealing
Operating pressure	up to 315 [bar]
Material	steel
Surface	chrome
Straight model double-connector	pre-mounted on both sides with O-Ring

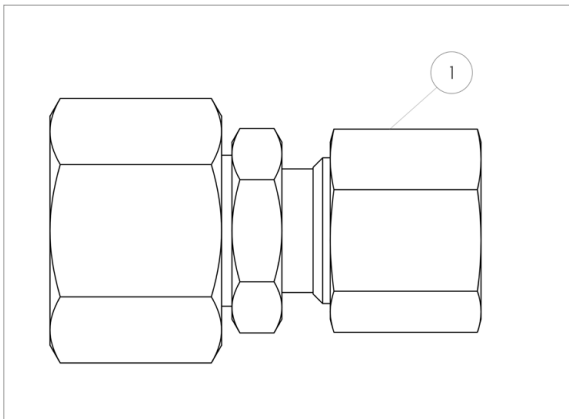
Transfer & Treatment / Connecting Elements / Screw Joints / Screw-Joint for WMS-HD...

REDUCTION CONNECTOR KOR



USAGE

The Reduction Connector KOR (konus-reduction connector) will be used for connecting Fluid Hoses and functional components. The screw joints are suitable for Material Hoses WMS-HD. The Reduction Connector has a metric internal thread on both sides.



CONSTRUCTION

1 Reduction connector KOR

Transfer & Treatment / Connecting Elements / Screw Joints / Screw-Joint for WMS-HD...

REDUCTION CONNECTOR KOR

ORDER CODE

(* STANDARD OPTIONS)

WRKRV	-		-		-		-		-		-		-		-					
1		2		3		4		5		6		7		8		9		10		11

1	Designation	3	RA Pipe diameter (thread II)	4	Type
	Reduction Connector KOR	06	M12x1,5	KOR	konus reduction*
		08	M14x1,5*		
2	RA Pipe diameter (thread I)	10	M16x1,5*	5	Model
06	M12x1,5	12	M18x1,5*	L	light*
08	M14x1,5	15	M22x1,5*	S	heavy
10	M16x1,5	18	M26x1,5		
12	M18x1,5*	22	M30x2,0		
15	M22x1,5*				
18	M26x1,5				
22	M30x2,0				

STANDARD VARIANTS

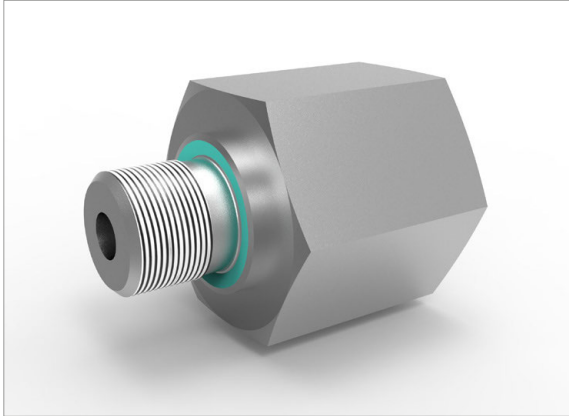
Item number	Order Code	Item number	Order Code
50008289	WRKRV-12-08-KOR-L	50008294	WRKRV-15-10-KOR-L
50008292	WRKRV-12-10-KOR-L	50003570	WRKRV-15-12-KOR-L

TECHNICAL DATA

Model	straight, konus-reduction
Sealing	soft sealing
Operating pressure	up to 315 [bar]
Material	steel
Surface	chrome

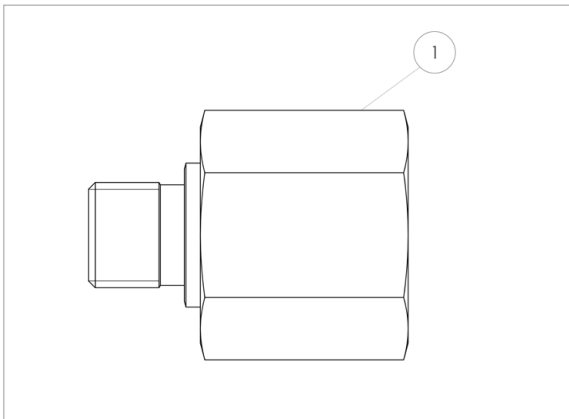
Transfer & Treatment / Connecting Elements / Screw Joints / Screw-Joint for WMS-HD...

REDUCTION AND EXPANSION CONNECTOR



USAGE

The Reduction and Expansion Connector will be used for connecting Fluid Hoses and functional components. The screw joints are suitable for Material Hoses WMS-HD. The Reduction and Expansion Connector has an external thread on one side and an internal on the other.



CONSTRUCTION

1 Reduction and expansion connector

Transfer & Treatment / Connecting Elements / Screw Joints / Screw-Joint for WMS-HD...

REDUCTION AND EXPANSION CONNECTOR

ORDER CODE

(* STANDARD OPTIONS)

WRERV	-		-		-		-		-		-		-		-		-		-	
1		2		3		4		5		6		7		8		9		10		11

1	Designation	3	Internal thread (thread I)	5	Sealing type
	Walther Reduction and Expansion Connector – Pipe Screw Joint	1/8	G1/8	00	without sealing
		1/4	G 1/4*	ED	elastic sealing*
		3/8	G 3/8		
		1/2	G 1/2*		
2	External thread (thread I)	3/4	G 3/4*		
1/8	G 1/8*	4	Type		
1/4	G 1/4*	RI	Reduction*		
3/8	G 3/8*				
1/2	G 1/2*				
3/4	G 3/4				

STANDARD VARIANTS

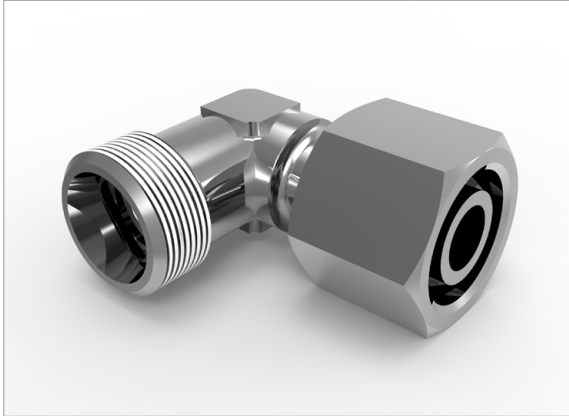
Item number	Order Code	Item number	Order Code
50006468	WRERV-1/2-1/4-RI-ED	50008304	WRERV-3/8-1/2-RI-ED
50008302	WRERV-1/4-1/2-RI-ED	50008305	WRERV-3/8-1/4-RI-ED
50008303	WRERV-1/8-1/4-RI-ED	50008306	WRERV-3/8-3/4-RI-ED

TECHNICAL DATA

Model	straight, reduction/expansion connector, BSP
Sealing	soft sealing
Operating pressure	up to 630 [bar] resp. 400 [bar] for WRERV-3/8-3/4-RI-ED
Material	steel
Surface	chrome

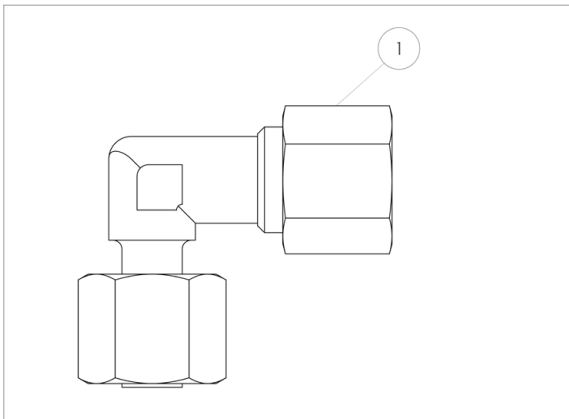
Transfer & Treatment / Connecting Elements / Screw Joints / Screw-Joint for WMS-HD...

ADJUSTABLE ANGLED SCREW JOINT, METRIC



USAGE

The Adjustable Angled Screw-Joint will be used for an angled connection of Fluid Hoses and functional components. The screw joints are suitable for Material Hoses WMS-HD. The angled screw joint has a metric thread on both sides.



CONSTRUCTION

- 1 Adjustable angled screw joint metric

Transfer & Treatment / Connecting Elements / Screw Joints / Screw-Joint for WMS-HD...

ADJUSTABLE ANGLED SCREW JOINT, METRIC

ORDER CODE

(* STANDARD OPTIONS)

WEWRV	-		-		-		-		-		-		-		-		-		-	
1		2		3		4		5		6		7		8		9		10		11

1	Designation	3	Type	5	Union nut
	Adjustable angled Screw Joint	EVW	adjustable screw joint angled*	00	with union nut*
				KÖ	without union nut*
2	RA Pipe diameter	4	Model		
08	(M14x1,5)*	L	light*		
10	(M16x1,5)*	S	heavy		
12	(M18x1,5)*				
15	(M22x1,5)*				

STANDARD VARIANTS

Item number	Order Code	Item number	Order Code
50008315	WEWRV-08-EVW-L-00	50008313	WEWRV-12-EVW-L-00
50008310	WEWRV-08-EVW-L-KÖ	50008309	WEWRV-12-EVW-L-KÖ
50008311	WEWRV-10-EVW-L-KÖ	50008312	WEWRV-15-EVW-L-00
50008314	WEWRV-10-EVW-L-00	50002222	WEWRV-15-EVW-L-KÖ

TECHNICAL DATA

Model	angle 90° type adjustable angled connecting piece
Sealing	soft sealing
Operating pressure	up to 315 [bar]
Material	steel
Surface	chrome

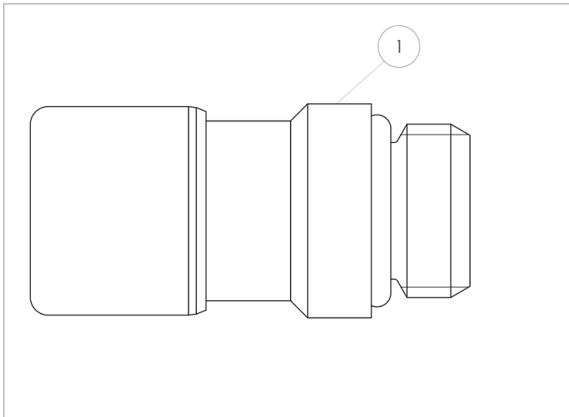
Transfer & Treatment / Connecting Elements / Screw Joints / Screw-Joint for WMS-HDF...

STRAIGHT SCREW-IN JOINT



USAGE

The straight screw-in Screw Joint will be used for connecting Fluid Hoses and functional components. The Screw Joints are suitable for Material Hoses WMS-HDF (flexible configuration). Our connection system with its special technology and the additional sealing in front of the retaining claw is a prime example for reliable hose connections. Advanced technology and an increased pressure range expand the application options. The main characteristics of this product are a very fast, safe installation and an easy dismounting of hoses in various applications.



CONSTRUCTION

- 1 Straight screw-in screw joint

Transfer & Treatment / Connecting Elements / Screw Joints / Screw-Joint for WMS-HDF...

STRAIGHT SCREW-IN JOINT

ORDER CODE

(* STANDARD OPTIONS)

WGESVT	-		-		-		-		-		-		-		-		-		-	
1		2		3		4		5		6		7		8		9		10		11

1	Designation	3	External thread	4	Hose connection
	Straight Screw-in Joint – plug-	02	G1/8*	02	4/2*
	in	04	G1/4*	04	6/4*
		05	M5*	06	8/6*
2	Thread type			5	Type
1462	inch*			CNI	type of plug-in connection
1463	metric*				

STANDARD VARIANTS

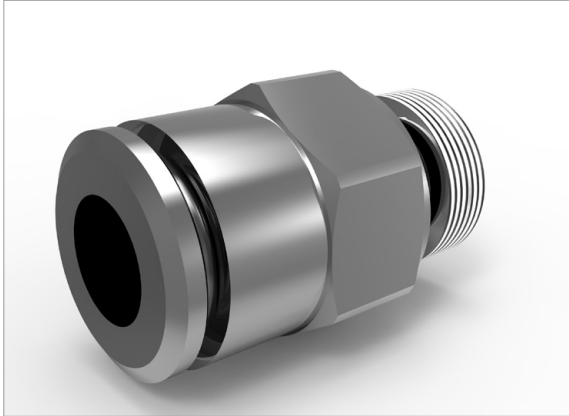
Item number	Order Code	Item number	Order Code
50000456	WGESVT-1462-02-04-CNI	50008743	WGESVT-1462-04-06-CNI
50008738	WGESVT-1462-02-06-CNI	50008742	WGESVT-1463-50-02-CNI
50008739	WGESVT-1462-04-04-CNI	50008741	WGESVT-1463-50-04-CNI

TECHNICAL DATA

Thread	metric
Inner hex	with
Sealing	chambered O-Ring
Sealing material	FPM
Material	Ms chemo-nickel-plated
Temperature range	-20 to +120 [°C]
Working pressure range	-0,95 to 24 [Bar]
Application	for PA hoses

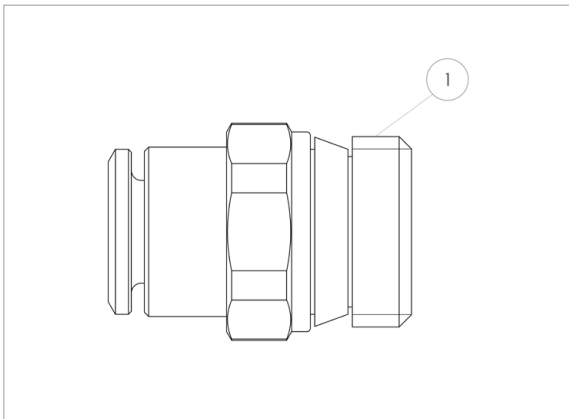
Transfer & Treatment / Connecting Elements / Screw Joints / Screw-Joint for WMS-ND...

LOW PRESSURE SCREW-IN SCREW JOINTS



USAGE

The low-pressure screw-in Screw Joint will be used for connecting Fluid Hoses and functional components under low pressure. The Screw Joints are suitable for Material Hoses WMS-ND.



CONSTRUCTION

- 1 Low-pressure screw-in screw joint

Transfer & Treatment / Connecting Elements / Screw Joints / Screw-Joint for WMS-ND...

LOW PRESSURE SCREW-IN SCREW JOINTS

ORDER CODE

(* STANDARD OPTIONS)

WND	-		-		-		-		-		-		-		-					
1		2		3		4		5		6		7		8		9		10		11

1	Designation	4	Hose diameter	5	External thread
	Walther Low Pressure Screw-in Screw Joint	04	4 [mm]	M5	M5*
		05	5 [mm]	M6	M6
		06	6 [mm]*	1/8	G1/8*
		08	8 [mm]*	1/4	G1/4*
		10	10 [mm]	3/8	G3/8
		12	12 [mm]	1/2	G1/2
		14	14 [mm]		
		16	16 [mm]		
2	Type				
611	45° angle				
651	straight*				
652	90° angle				
3	Sealing				
0	flat sealing				
2	O-Ring				

STANDARD VARIANTS

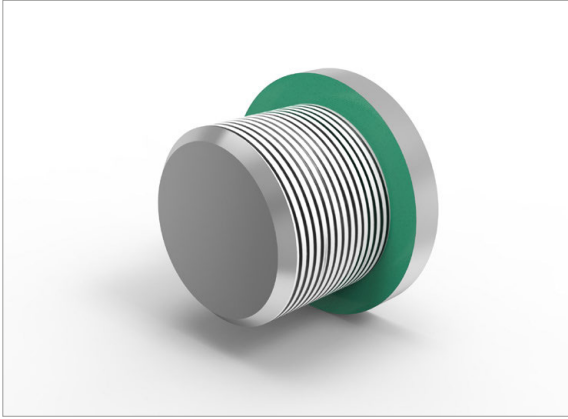
Item number	Order Code	Item number	Order Code
50008332	WND-651-2-06-M5	50008333	WND-652-2-06-M5
50008338	WND-651-0-06-1/8	50008329	WND-611-0-06-1/8
50008340	WND-651-0-06-1/4	50008341	WND-611-0-08-1/4

TECHNICAL DATA

Type	straight, 90°- and 45°-version
Operating pressure	-0,9 to 16 bar (depends on pipe)
Material body	brass nickel-plated
O-Ring	NBR
Thread gasket	PTFE-NBR-polyamide
Temperature range	-20°C ÷ 80°C (depends on pipe and pressure)

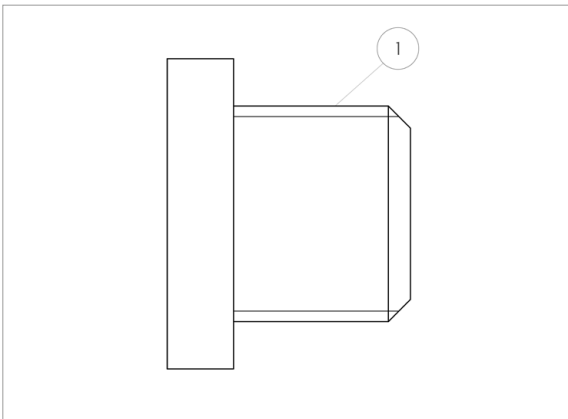
Transfer & Treatment / Connecting Elements / Screw Joints

LOCKING SCREW VS-ED



USAGE

Locking Screws with collar and inner hex for the locking of borings with a cylindrical internal thread.



CONSTRUCTION

1 Locking screw VS-ED

Transfer & Treatment / Connecting Elements / Screw Joints

LOCKING SCREW VS-ED

ORDER CODE

(* STANDARD OPTIONS)

WWSRV	-		-		-		-		-		-		-		-		-		-	
1		2		3		4		5		6		7		8		9		10		11

1	Designation	2	External thread (thread I)	3	Type
	Walther Locking Screw	1/8	G1/8*	VS	Locking screw inch*
		1/4	G1/4*		
		3/8	G3/8	4	Sealing
		1/2	G1/2	ED	elastic sealing*
		3/4	G3/4		
		1	G1		

STANDARD VARIANTS

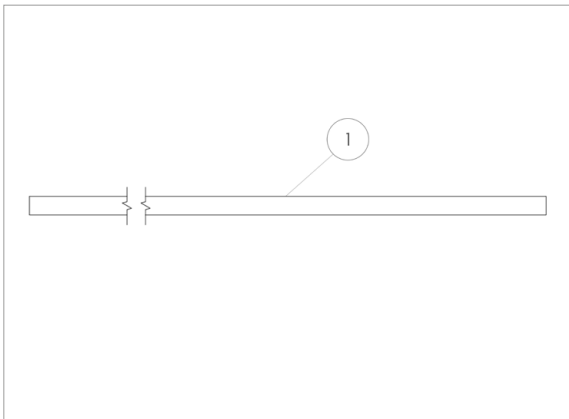
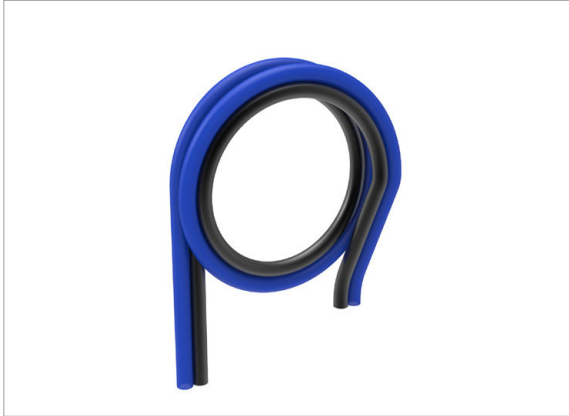
Item number	Order Code	Item number	Order Code
50003439	WWSRV-1/8-VS-ED	5000458	WWSRV-3/8-VS-ED
50000336	WWSRV-1/4-VS-ED		

TECHNICAL DATA

Material steel (galvanised)

Transfer & Treatment / Connecting Elements / Hoses

LOW PRESSURE HOSE



USAGE

Plastic Hoses from different materials for connecting and combining components of the fluid system in a low pressure range.

CONSTRUCTION

- 1 Low-pressure hose

Transfer & Treatment / Connecting Elements / Hoses

LOW PRESSURE HOSE

ORDER CODE

(* STANDARD OPTIONS)

WMS	-		-		-		-		-		-		-		-		-		-	
1		2		3		4		5		6		7		8		9		10		11

1	Designation	3	Type	6	Length
	Low Pressure Hose up to 28bar	ND	low pressure flexible*	2500	rolled goods 25 [m]*
2	Nominal width	4	Medium-touching material		
04	DN4	PA	PA*		
06	DN6*	PU	PUR*		
08	DN8*	PT	PTFE*		
10	DN10	5	Number of hoses		
12	DN12	1	1 hose parallel*		
16	DN16	2	2 hoses parallel*		

STANDARD VARIANTS

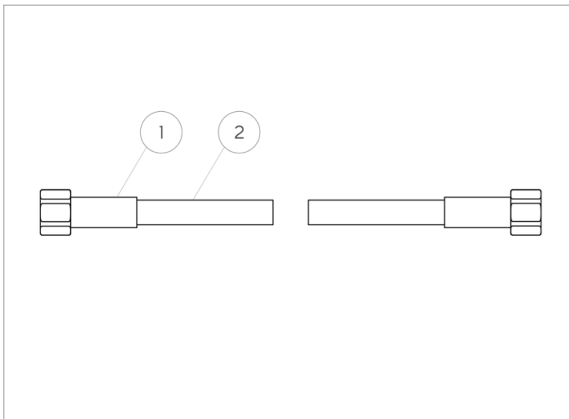
Item number	Order Code	Item number	Order Code
	WMS-06-ND-PA-1-2500		WMS-08-ND-PT-1-2500
	WMS-08-ND-PA-1-2500		WMS-06-ND-PU-1-2500
	WMS-06-ND-PT-1-2500		WMS-08-ND-PU-1-2500

TECHNICAL DATA

Max. pressure	25 [Bar]
---------------	----------

Transfer & Treatment / Connecting Elements / Hoses

HIGH PRESSURE HOSE HDS



USAGE

Our pre-assembled, rigid Material Hose HDS is made from PTFE, has a braid from stainless steel, a temperature range of -60° to $+250^{\circ}\text{C}$, and is suitable for high-pressure applications.

CONSTRUCTION

- 1 High-pressure hose rigid

Transfer & Treatment / Connecting Elements / Hoses

HIGH PRESSURE HOSE HDS

ORDER CODE

(* STANDARD OPTIONS)

WMS	-		-		-		-		-		-		-		-		-		-		-	
1		2		3		4		5		6		7		8		9		10		11		

1	Designation	4	Medium-touching material	7	Flange twist
	High Pressure Hose over 28bar	PT	PTFE*	00	0°
2	Nominal width	5	Length	01	45°
04	DN4	005	0,5 [m]*	02	90°
06	DN6*	010	1,0 [m]*	03	135°
08	DN8*	020	2,0 [m]*	04	180°
10	DN10*	040	4,0 [m]*	05	225°
12	DN12*	080	8,0 [m]*	06	270°
16	DN16*	6	Hose flange	07	315°
3	Type	00	straight 0° / straight 0°*		
HDS	high pressure hose rigid*	01	straight 0° / angle 45°		
		02	straight 0° / angle 90°		
		11	angle 45° / angle 45°		
		22	angle 90° / angle 90°		

STANDARD VARIANTS

Item number	Order Code	Item number	Order Code
	WMS-06-HDS-PT-0050-00-00		WMS-08-HDS-PT-0400-00-00
	WMS-06-HDS-PT-0050-02-00		WMS-08-HDS-PT-0400-02-00
	WMS-06-HDS-PT-0100-00-00		WMS-08-HDS-PT-0800-00-00
	WMS-06-HDS-PT-0100-02-00		WMS-08-HDS-PT-0800-02-00
	WMS-06-HDS-PT-0200-00-00		WMS-10-HDS-PT-0050-00-00
	WMS-06-HDS-PT-0200-02-00		WMS-10-HDS-PT-0050-02-00
	WMS-06-HDS-PT-0400-00-00		WMS-10-HDS-PT-0100-00-00
	WMS-06-HDS-PT-0400-02-00		WMS-10-HDS-PT-0100-02-00
	WMS-06-HDS-PT-0800-00-00		WMS-10-HDS-PT-0200-00-00
	WMS-06-HDS-PT-0800-02-00		WMS-10-HDS-PT-0200-02-00
	WMS-08-HDS-PT-0050-00-00		WMS-10-HDS-PT-0400-00-00
	WMS-08-HDS-PT-0050-02-00		WMS-10-HDS-PT-0400-02-00
	WMS-08-HDS-PT-0100-00-00		WMS-10-HDS-PT-0800-00-00
	WMS-08-HDS-PT-0100-02-00		WMS-10-HDS-PT-0800-02-00
	WMS-08-HDS-PT-0200-00-00		WMS-12-HDS-PT-0050-00-00
	WMS-08-HDS-PT-0200-02-00		WMS-12-HDS-PT-0050-02-00

Transfer & Treatment / Connecting Elements / Hoses

HIGH PRESSURE HOSE HDS

Item number	Order Code	Item number	Order Code
	WMS-12-HDS-PT-0100-00-00		WMS-16-HDS-PT-0050-02-00
	WMS-12-HDS-PT-0100-02-00		WMS-16-HDS-PT-0100-00-00
	WMS-12-HDS-PT-0200-00-00		WMS-16-HDS-PT-0100-02-00
	WMS-12-HDS-PT-0200-02-00		WMS-16-HDS-PT-0200-00-00
	WMS-12-HDS-PT-0400-00-00		WMS-16-HDS-PT-0200-02-00
	WMS-12-HDS-PT-0400-02-00		WMS-16-HDS-PT-0400-00-00
	WMS-12-HDS-PT-0800-00-00		WMS-16-HDS-PT-0400-02-00
	WMS-12-HDS-PT-0800-02-00		WMS-16-HDS-PT-0800-00-00
	WMS-16-HDS-PT-0050-00-00		WMS-16-HDS-PT-0800-02-00

TECHNICAL DATA

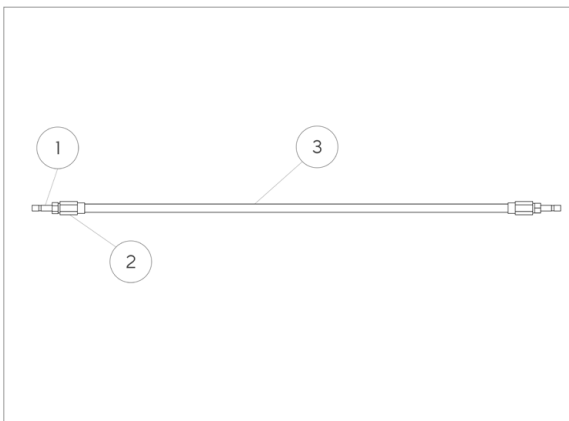
Temperature range	-60° to +250 [°C]
Max. operating pressure (DN06)	224 [bar]
Max. operating pressure (DN08)	207 [bar]
Max. operating pressure (DN10)	195 [bar]
Max. operating pressure (DN12)	161 [bar]
Max. operating pressure (DN16)	126 [bar]
Max. operating pressure (DN20)	55 [bar]
Material inside hose	Teflon
Process connection	flexible fittings

Transfer & Treatment / Connecting Elements / Hoses

HIGH PRESSURE HOSE HDS

Transfer & Treatment / Connecting Elements / Hoses

HIGH PRESSURE HOSE HDF



USAGE

Our flexible, fabric-reinforced High-Pressure Hoses HDF are suitable for pressure above 28bar. The length and diameter of the hoses, as well as the fittings can be flexibly assembled.

CONSTRUCTION

- 1 Hose connector
- 2 Screw sleeve
- 3 High-pressure hose flexible

Transfer & Treatment / Connecting Elements / Hoses

HIGH PRESSURE HOSE HDF

ORDER CODE

(* STANDARD OPTIONS)

WMS	-		-		-		-		-		-		-		-		-		-		-	
1		2		3		4		5		6		7		8		9		10		11		

1	Designation	5	Length	7	Flange twist
28bar	High Pressure Hose over	005	0,5 [m]*	00	0°
		010	1,0 [m]*	01	45°
		020	2,0 [m]*	02	90°
		040	4,0 [m]*	03	135°
		080	8,0 [m]*	04	180°
				05	225°
				06	270°
				07	315°
2	Nominal width	6	Hose flange		
04	DN4	00	straight 0° / straight 0°*		
06	DN6*	01	straight 0° / angle 45°		
		02	straight 0° / angle 90°		
		11	angle 45° / angle 45°		
		22	angle 90° / angle 90°		
3	Type				
HDF	high pressure hose flexible*				
4	Medium-touching material				
PA	PA*				

STANDARD VARIANTS

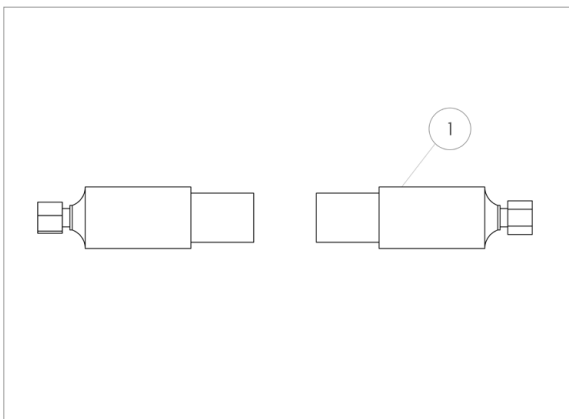
Item number	Order Code	Item number	Order Code
	WMS-04-HDF-PA-0050-00-00		WMS-06-HDF-PA-0050-00-00
	WMS-04-HDF-PA-0050-02-00		WMS-06-HDF-PA-0050-02-00
	WMS-04-HDF-PA-0100-00-00		WMS-06-HDF-PA-0100-00-00
	WMS-04-HDF-PA-0100-02-00		WMS-06-HDF-PA-0100-02-00

TECHNICAL DATA

Process pressure	max 350 [bar]
Bending radius	small
Connection	flexible fittings

Transfer & Treatment / Connecting Elements / Hoses

HEATING HOSE



HIGHLIGHTS

- Integrated temperature sensor for a direct feedback of the medium temperature
- easy use / start of operation in conjunction with the pre-configured Temperature Control Bundle WTRB

USAGE

Heating Hoses are used for transporting viscous media from the location where they are heated up to the location where they are applied and processed. In this process, it is of high importance that the transport of the medium will not incur any loss of temperature along the supply way. Our Heating Hoses guarantee a constant temperature for the medium and thereby safeguard the accompanying medium characteristics. This will result in a further processing with the best possible result.

CONSTRUCTION

- 1 Heating hose

YOUR BENEFITS

- Maintaining the medium temperature and the corresponding medium characteristics
- compensation of influences from ambient temperature
- targeted manipulation of viscosity as well as suppliability of medium

Transfer & Treatment / Connecting Elements / Hoses

HEATING HOSE

ORDER CODE

(* STANDARD OPTIONS)

WMHS	-		-		-		-		-		-		-		-		-		-		-	
1		2		3		4		5		6		7		8		9		10		11		

1	Designation	3	Length	4	Voltage
	Walther Material Heating	005	500 [mm]*	A	230 [VAC]
Hose		010	1000 [mm]*	B	24 [VDC]*
		015	1500 [mm]		
2	Nominal width	020	2000 [mm]		
06	DN6	030	3000 [mm]		
08	DN8*	040	4000 [mm]		
10	DN10*	050	5000 [mm]		
12	DN12				

STANDARD VARIANTS

Item number	Order Code	Item number	Order Code
500010240	WMHS-08-005-B	500010234	WMHS-10-005-B
500010238	WMHS-08-010-B	500010228	WMHS-10-010-B

ACCESSORIES

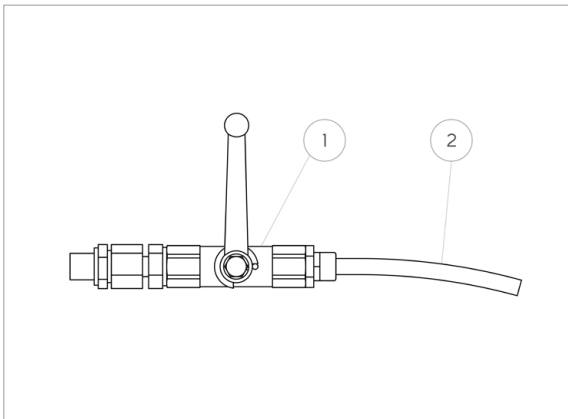
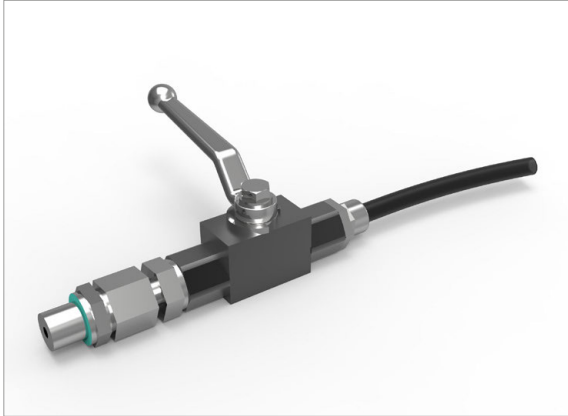
Item number	Order Code	Designation
50002674	WTRB-24DC-3500	Temperature Controller Bundle 24 [VDC] / 3500 [mA]
50002675	WTRB-24DC-6000	Temperature Controller Bundle 24 [VDC] / 6000 [mA]
50002676	WTRB-24DC-12000	Temperature Controller Bundle 24 [VDC] / 12000 [mA]

TECHNICAL DATA

Max. operating pressure (DN6)	245 [bar]
Max. operating pressure (DN8)	200 [bar]
Max. operating pressure (DN10)	175 [bar]
Max. operating pressure (DN12)	150 [bar]
Temperature correction factor (100°C)	max. operating pressure x 0,9
Temperature correction factor (200°C)	max. operating pressure x 0,8
Temperature correction factor (250°C)	max. operating pressure x 0,6
Process connection (DN8)	M16 x 1,5
Process connection (DN10)	M18 x 1,5

Transfer & Treatment / Accessories

FUNCTIONAL ASSEMBLY GROUPS 1/4 INCH



USAGE

The Assembly Groups 1/4" contain elements with different functions which can be directly installed in a 1/4" internal thread. These elements can also be directly and without additional components connected to the Distributor Module „WVM-04-01“ or to the various Material Distributors „WMV-xx-x-xx-xx-xx“.

CONSTRUCTION

- 1 Ball Valve
- 2 Hose

HIGHLIGHTS

- Direct connection of all components to 1/4" internal thread without additional connecting elements

YOUR BENEFITS

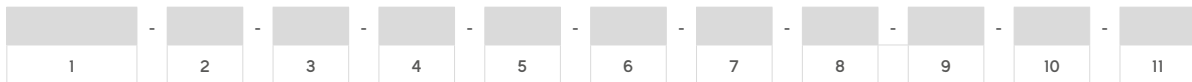
- Reduced project-planning efforts by standardized assembly groups

Transfer & Treatment / Accessories

FUNCTIONAL ASSEMBLY GROUPS 1/4 INCH

ORDER CODE

(* STANDARD OPTIONS)



STANDARD VARIANTS

Item number	Order Code
50008258	Ball Valve manual (5000344) with hose
50008261	Ball Valve manual (5000344)
50008839	Ball Valve with actuator (50010173) with hose

Item number	Order Code
50008836	Ball Valve with actuator (50010173)
50008281	Pressure gauge analog 250 [bar]

TECHNICAL DATA

Process connection

G1/4" external thread

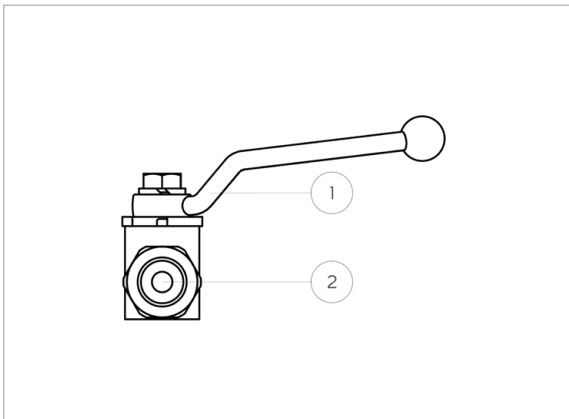
Transfer & Treatment / Accessories / Ball Valve

BALL VALVE MANUAL



USAGE

High- pressure Ball Valve for a manual locking of lines in a fluid system.



CONSTRUCTION

- 1 Ball Valve
- 2 Connecting flange

YOUR BENEFITS

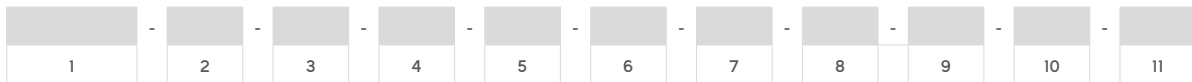
- Cost-efficient locking device

Transfer & Treatment / Accessories / Ball Valve

BALL VALVE MANUAL

ORDER CODE

(* STANDARD OPTIONS)



STANDARD VARIANTS

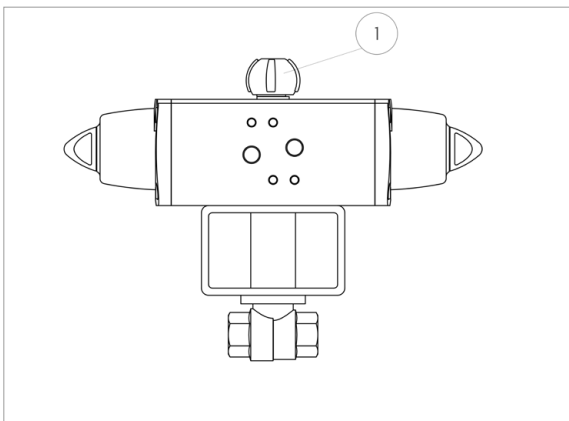
Item number	Order Code	Item number	Order Code
50000344	Ball Valve G1/4"	50007926	Ball Valve G3/8"
50003575	Ball Valve G1/2"		

TECHNICAL DATA

Operation pressure	max. 500 [bar]
Material	steel
Operating temperature	-10 °C to 100 [°C]
Connecting flanges	G-internal thread

Transfer & Treatment / Accessories / Ball Valve

BALL VALVE WITH ACTUATOR



USAGE

High-pressure Ball Valve for an automatic locking of lines in a fluid system. The actuator is a pneumatic swivel drive available as „normal open“ (NO), „normal closed“ (NC) or „double effect“.

CONSTRUCTION

1 Stainless steel Ball Valve with pneumatic actuator

HIGHLIGHTS

- Visual position display

YOUR BENEFITS

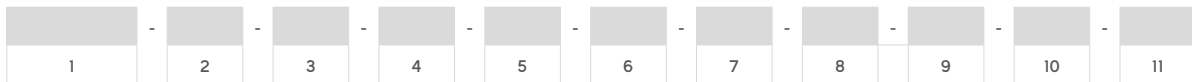
- Realising an automatic pressure relief of the system
- Turn-off of compressed air supply
or in emergency situations

Transfer & Treatment / Accessories / Ball Valve

BALL VALVE WITH ACTUATOR

ORDER CODE

(* STANDARD OPTIONS)



STANDARD VARIANTS

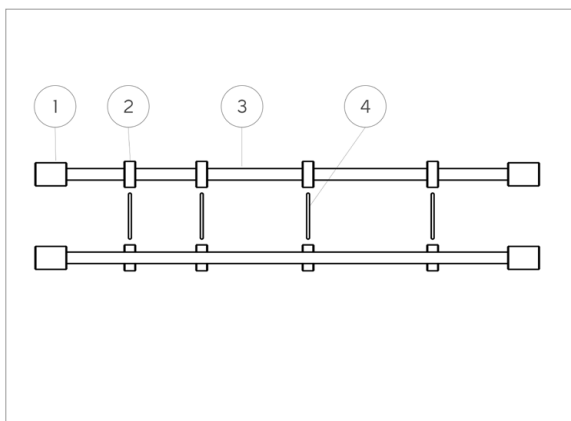
Item number	Order Code	Item number	Order Code
50000604	Ball Valve with acuator G3/8 NC	50010176	Ball Valve with actuator G1/2
50010173	Ball Valve with actuator G3/8 NO	50010177	Ball Valve with actuator G3/8
50010174	Ball Valve with actuator G1/2 NC		

TECHNICAL DATA

Material	stainless steel
Operating temperature	-20 to 150 [°C]
Operating pressure	max. 160 [bar]

Transfer & Treatment / Accessories

MODULE CONNECTOR SET



HIGHLIGHTS

- Easy integration, compact design, short installation times for the different modules into one module assembly group
- easy and fast connecting of required Walther modules through standard tension rod sets
- no special tools required

USAGE

The Module Connector Set is used for connecting several WALTHER-MODULAR device modules via tension rods. A maximum of 15 modules can be combined with the flanges. The module combinations are random.

CONSTRUCTION

- 1 Cylinder nuts
- 2 Connector
- 3 Threaded rods
- 4 O-Ring

YOUR BENEFITS

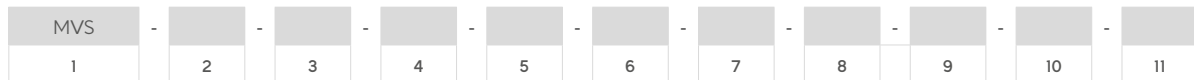
- Fast project-planning without extensive search for matching pipe screw joints or connecting lines
- saves time during installation and start of operation

Transfer & Treatment / Accessories

MODULE CONNECTOR SET

ORDER CODE

(* STANDARD OPTIONS)



1	Designation	2	Total Module Length	3	Number Modules
	Module Connector Set	02	2 [TE]	02	2 modules
		03	3 [TE]	03	3 modules
		04	4 [TE]	04	4 modules
		05	5 [TE]	05	5 modules
		06	6 [TE]	06	6 modules
		07	7 [TE]	07	7 modules
		08	8 [TE]	08	8 modules
		09	9 [TE]		
		10	10 [TE]		
		11	11 [TE]		
		12	12 [TE]		
		13	13 [TE]		
		14	14 [TE]		
		15	15 [TE]		

STANDARD VARIANTS

Item number	Order Code
50000676	MVS-15-08-01
50000677	MVS-15-07-01
50000678	MVS-15-06-01
50000679	MVS-15-05-01
50000680	MVS-14-08-01
50000681	MVS-14-07-01
50000682	MVS-14-06-01
50000683	MVS-14-05-01
50000684	MVS-13-08-01
50000685	MVS-13-07-01
50000686	MVS-13-06-01
50000687	MVS-13-05-01
50000688	MVS-12-07-01
50000689	MVS-12-06-01
50000690	MVS-12-05-01

Item number	Order Code
50000691	MVS-12-04-01
50000692	MVS-11-07-01
50000693	MVS-11-06-01
50000694	MVS-11-05-01
50000695	MVS-11-04-01
50000696	MVS-10-07-01
50000697	MVS-10-06-01
50000698	MVS-10-05-01
50000699	MVS-10-04-01
50000700	MVS-09-06-01
50000701	MVS-09-05-01
50000702	MVS-09-04-01
50000703	MVS-09-03-01
50000704	MVS-08-06-01
50000705	MVS-08-05-01

Transfer & Treatment / Accessories

MODULE CONNECTOR SET

Item number	Order Code	Item number	Order Code
50000706	MVS-08-04-01	50000716	MVS-05-04-01
50000707	MVS-08-03-01	50000717	MVS-05-03-01
50000708	MVS-07-06-01	50000718	MVS-05-02-01
50000709	MVS-07-05-01	50007686	MVS-04-04-01
50000710	MVS-07-04-01	50000719	MVS-04-03-01
50000711	MVS-07-03-01	50000720	MVS-04-02-01
50000712	MVS-06-05-01	50007699	MVS-03-03-01
50000713	MVS-06-04-01	50007693	MVS-03-02-01
50000714	MVS-06-03-01	50007712	MVS-02-02-01
50000715	MVS-06-02-01		

SPARE PARTS

Item number	Order Code	Designation
50000608	MVS-V-01	Centering sleeves with O-Ring
50000607		Cylinder nut with inner hex M8

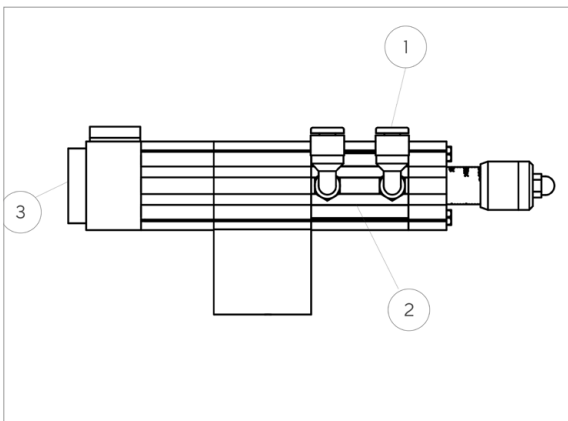
TECHNICAL DATA

Operating temperature	4 to 50 [°C]
Weight	0,22 [kg/Module]

PROCESSING AND APPLICATION

Processing & Application / Dosing / Valve

WDV – VOLUME DOSING VALVE



USAGE

The volumetric Dosing Valves of the WDV series were designed for a precise application of defined (minimum) quantities of viscous media. The dosing quantity in a volumetric Dosing Valve can be continuously adjusted with a regulating screw within the valid dosing range. An external 5/2-way valve is used for the pneumatic controlling of the Dosing Valve.

CONSTRUCTION

- 1 Pneumatic connection $\text{Ø}4/2$
- 2 C-groove $\text{Ø}4$ for magnetfield sensor and fastening slot stones
- 3 Sensor connection G1/8"

HIGHLIGHTS

- High inlet pressures up to 200 [bar] make a preconnected Material Pressure Regulator redundant
- optional sensor available for monitoring valve needle stroke
- optional heating plate available for tempering the valve body (only WDV-200 / -600)
- highest process safety also for the smallest dosing volumes#

YOUR BENEFITS

- Locking the regulating screw with the special key prevents an unintended resetting of the defined dosing quantity
- possibility for a process control in connection with a WALTHER LOGIC Limit Value Module
- Valve for automated application of viscous media

Processing & Application / Dosing / Valve

WDV – VOLUME DOSING VALVE

ORDER CODE

(* STANDARD OPTIONS)

WDV	-		-		-		-		-		-	
1		2		3		4		5		6		7

1	Designation	2	Dosing Range	3	Allowed inlet pressure
	Dosing Valve	002	0,001 to 0,020 [ccm] (HD)	ND	5 to 20 [bar]
		002	0,003 to 0,020 [ccm] (ND)	HD	20 to 200 [bar]
		020	0,010 to 0,200 [ccm] (HD/ND)		
		200	0,100 to 2,000 [ccm] (HD)		
		600	1,000 to 6,000 [ccm] (HD)		

STANDARD VARIANTS

Item number	Order Code	Item number	Order Code
50007970	WDV-002-HD	50008005	WDV-020-ND
50008004	WDV-002-ND	50007972	WDV-200-HD
50007981	WDV-020-HD	50007982	WDV-600-HD

SPARE PARTS

Item number	Order Code	Designation
50008008		Wearing parts kit WDV-002-ND / WDV-020-HD
50008169		Wearing parts kit WDV-200-HD / WDV-600-HD

ACCESSORIES

Item number	Order Code	Designation
50007909	WDV-DS	Dosing piston sensor single
50007721	HZP-90-25W-05	Heating plate WDV-03 / WDV-04
50004892	LLA-1/8	Luer-Lock adapter WDV-03 / WDV-04
50007907	LLA-M6	Luer-Lock adapter WDV-01 / WDV-02
5000xxxx	DS-xx-xxx-xx	Dosing tip DS
5000xxxx	DE-xx-xxx-xx	Dosing tip DE
50008758	PS1-010-G18-A	Pressure sensor-10 [bar]
50008756	PS1-050-G18-A	Pressure sensor-50 [bar]
50007905	WZS-01	Tool set
50008400	WLG-40-470-SOFT-500	WALTHER LOGIC Limit Value Module incl. software
50008752	WLVC-30-320-SOFT-323	WALTHER LOGIC Valve Control incl. software
50008746	WLVCMI-10-101-SOFT-101	WALTHER LOGIC Valve Control MINI incl. software
50007662	RKS-01	Cleaning kit for valves
50007905	WZS-01	Tool set for valve maintenance

Processing & Application / Dosing / Valve

WDV – VOLUME DOSING VALVE

TECHNICAL DATA

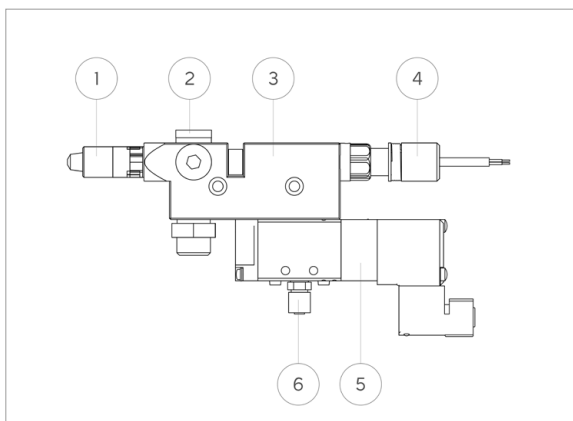
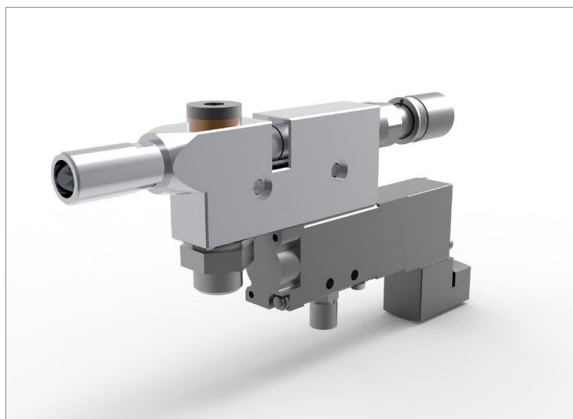
Allowed medium inlet pressure (HD-version)	20 to 200 [bar]
allowed medium inlet pressure (ND-version)	5 to 20 [bar]
allowed pneumatic inlet pressure	5,0 to 8,0 [bar]
Dimensions l x w x h (version „002“)	135 x 23 x 51 [mm]
Dimensions l x w x h (version „020“)	135 x 23 x 51 [mm]
Dimensions l x w x h (version „200“)	246 x 36 x 77 [mm]
Dimensions l x w x h (version „600“)	246 x 36 x 77 [mm]
Weight (version „002“)	0,180 [kg]
Weight (version „020“)	0,182 [kg]
Weight (version „200“)	0,868 [kg]
Weight (version „600“)	0,891 [kg]
Interface medium inlet (version „002“)	G1/8“i
Interface medium inlet (version „020“)	G1/8“i
Interface medium inlet (version „200“)	G1/4“i
Interface medium inlet (version „600“)	G1/4“i
Interface medium outlet (version „002“)	M6i
Interface medium outlet (version „020“)	M6i
Interface medium outlet (version „200“)	G1/8“i
Interface medium outlet (version „600“)	G1/8“i

Processing & Application / Dosing / Valve

WDV – VOLUME DOSING VALVE

Processing & Application / Dosing / Valve

VMS-02 – FULL-JET VALVE



HIGHLIGHTS

- Broad spectrum of use for different media and wide range of viscosity
- high flexibility due to replaceable nozzle and dosing needle
- optional heating plate available for valve tempering

USAGE

The Full-jet Valves of the VMS-02 series are used for a continuous, time-controlled application of viscous media, e.g. the bead application. The mutual air application on the valve piston causes the opening and closing of the valve needle in the nozzle. If the control air is turned off or fails, a spring will safely close the valve nozzle. An electro-pneumatic 5/2-way valve is directly flanged to the valve, activating the control air according to the electric inlet signal.

CONSTRUCTION

- 1 Nozzle
- 2 Locking screw
- 3 Valve body
- 4 Raster-needle lock
- 5 Magnetic valve with plug
- 6 Screw joint

YOUR BENEFITS

- Adjustable dosing volume
- compact design, excellent integration into any production system
- low weight, ideal for high traversing speeds
- possibility for realising a process control in connection with a WALTHER LOGIC Limit Value Module

Processing & Application / Dosing / Valve

VMS-02 – FULL-JET VALVE

ORDER CODE

(* STANDARD OPTIONS)

VMS-02	-		-		-		-		-		-	
1		2		3		4		5		6		7

1	Designation	5	Pressure sensor	6	Nozzle diameter
	Full-jet Valve Series 02	T00	upper boring with plug	03	0,3 [mm]
		T02	0 to 2 [Bar]	05	0,5 [mm]*
2	Sealing Material	T10	0 to 10 [Bar]	08	0,8 [mm]
V	Viton*	T50	0 to 50 [Bar]*	10	1,0 [mm]*
I	Isolast	L00	boring left with plug	15	1,5 [mm]
E	EPDM	L02	0 to 2 [Bar]	20	2,0 [mm]
		L10	0 to 10 [Bar]		
3	Needle stroke adjustment	L50	0 to 50 [Bar]	7	Nozzle form
R	with sensor*	R00	boring right with plug	LV	long dosing nozzle*
N	without sensor*	R02	0 to 2 [Bar]	LL	Luerlock-Adapter**
		R10	0 to 10 [Bar]	G8	Adapter G1/8*
4	Save	R50	0 to 50 [Bar]	8	Material of housing
S	installed*			M	brass nickel-plated*
N	not installed*			E	stainless steel

STANDARD VARIANTS

Item number	Order Code	Item number	Order Code
50010298	VMS-02-V-N-N-T00-05-G8-M	50010402	VMS-02-V-N-S-T00-10-LV-M
50010299	VMS-02-V-N-N-T00-05-LL-M	50010407	VMS-02-V-N-S-T50-05-G8-M
50010316	VMS-02-V-N-N-T00-05-LV-M	50010406	VMS-02-V-N-S-T50-05-LL-M
50010301	VMS-02-V-N-N-T00-10-G8-M	50010405	VMS-02-V-N-S-T50-05-LV-M
50010302	VMS-02-V-N-N-T00-10-LL-M	50010410	VMS-02-V-N-S-T50-10-G8-M
50010303	VMS-02-V-N-N-T00-10-LV-M	50010409	VMS-02-V-N-S-T50-10-LL-M
50010395	VMS-02-V-N-N-T50-05-G8-M	50010408	VMS-02-V-N-S-T50-10-LV-M
50010394	VMS-02-V-N-N-T50-05-LL-M	50010310	VMS-02-V-R-N-T00-05-G8-M
50010393	VMS-02-V-N-N-T50-05-LV-M	50010311	VMS-02-V-R-N-T00-05-LL-M
50010398	VMS-02-V-N-N-T50-10-G8-M	50010312	VMS-02-V-R-N-T00-05-LV-M
50010397	VMS-02-V-N-N-T50-10-LL-M	50010313	VMS-02-V-R-N-T00-10-G8-M
50010396	VMS-02-V-N-N-T50-10-LV-M	50010314	VMS-02-V-R-N-T00-10-LL-M
50010401	VMS-02-V-N-S-T00-05-G8-M	50010315	VMS-02-V-R-N-T00-10-LV-M
50010400	VMS-02-V-N-S-T00-05-LL-M	50010377	VMS-02-V-R-N-T50-05-G8-M
50010399	VMS-02-V-N-S-T00-05-LV-M	50010376	VMS-02-V-R-N-T50-05-LL-M
50010404	VMS-02-V-N-S-T00-10-G8-M	50010375	VMS-02-V-R-N-T50-05-LV-M
50010403	VMS-02-V-N-S-T00-10-LL-M	50010380	VMS-02-V-R-N-T50-10-G8-M

Processing & Application / Dosing / Valve

VMS-02 – FULL-JET VALVE

Item number	Order Code	Item number	Order Code
50010379	VMS-02-V-R-N-T50-10-LL-M	50010384	VMS-02-V-R-S-T00-10-LV-M
50010378	VMS-02-V-R-N-T50-10-LV-M	50010389	VMS-02-V-R-S-T50-05-G8-M
50010383	VMS-02-V-R-S-T00-05-G8-M	50010388	VMS-02-V-R-S-T50-05-LL-M
50010382	VMS-02-V-R-S-T00-05-LL-M	50010387	VMS-02-V-R-S-T50-05-LV-M
50010381	VMS-02-V-R-S-T00-05-LV-M	50010392	VMS-02-V-R-S-T50-10-G8-M
50010386	VMS-02-V-R-S-T00-10-G8-M	50010391	VMS-02-V-R-S-T50-10-LL-M
50010385	VMS-02-V-R-S-T00-10-LL-M	50010390	VMS-02-V-R-S-T50-10-LV-M

SPARE PARTS

Item number	Order Code	Designation
500xxxxx	VNV-02-xx-xx-xxxx	Valve needle Full-jet Valve
500xxxxx	DVV-02-xx-xx	Nozzle Full-jet Valve
50007228		Valve needle lock VMS-02 without needle stroke sensor
50007229		Valve needle lock VMS-02 with needle stroke sensor
50010652		Wearing parts set ISOLAST
50010648		Wearing parts set FKM
50010621		Magnetic valve with connecting plug

ACCESSORIES

Item number	Order Code	Designation
50008879	PS2-002-G18-A	Pressure sensor-2 [bar]
50008758	PS1-010-G18-A	Pressure sensor-10 [bar]
50008756	PS1-050-G18-A	Pressure sensor-50 [bar]
50008785		G1/8" Mounting system Pressure sensor
50007751	HZP-90-25W-07	Heating plate
50007835	HZP-ISO-07	Insulating plate
50007618		Centering sleeve (2x)
50008400	WLG-40-470-SOFT-500	WALTHER LOGIC Limit Value Module incl. software
50008752	WLVC-30-320-SOFT-323	WALTHER LOGIC Valve Control incl. software
50008746	WLVC-M-10-101-SOFT-101	WALTHER LOGIC Valve Control MINI incl. software
50007662	RKS-01	Cleaning kit for valves
50007773	WZS-03	Tool set for valve maintenance
50010324	SAVE-NV-02	SAVE Valve needle lock
5000xxxx	WST- ...	Connecting screw joint matching the valve

VMS-02 – FULL-JET VALVE

TECHNICAL DATA

Control air pressure	6 [bar]
Material pressure	max. 100 [bar]
Weight	375 [g]
Dimensions KV-version l x w x h	144x15x82 [mm]
Dimensions LV-version l x w x h	162x15x82 [mm]
Connection „material“	G1/8
Connection „control air“	Screw joint for hose 6/4
Available nozzle diameters	0,2 / 0,3 / 0,5 / 0,8 / 1,0 / 1,2 / 1,5 / 2,0 / 2,5 [mm]
Material – nozzle	stainless steel
Needle	carbide
Sealings	Viton

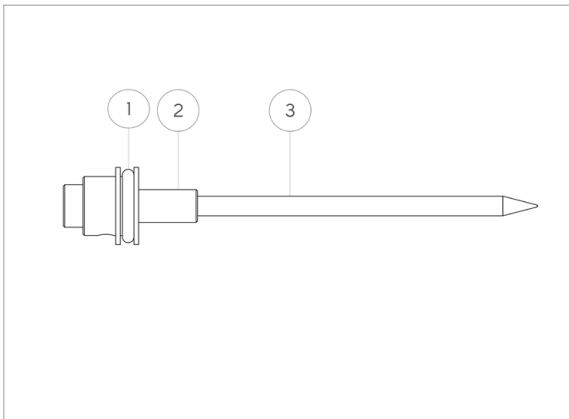
Processing & Application / Dosing / Valve Needle

VALVE NEEDLE FULL-JET VALVE



USAGE

Spare Valve Needle for the Full-jet Valve series VMS-02. The selection of the valve needle is determined by the employed valve nozzle (in particular the boring diameter).



CONSTRUCTION

- 1 O-Ring
- 2 Needle insert
- 3 Valve needle Pulse Valve

VALVE NEEDLE FULL-JET VALVE

ORDER CODE

(* STANDARD OPTIONS)

VNV	-		-		-		-		-		-		-		-		-		-	
1		2		3		4		5		6		7		8		9		10		11

1	Designation	3	Nozzle form	5	Diameter range
	Valve Needle for Full-jet Valve	00	not relevant	0300	0,3 [mm]*
		LV	length dosing nozzle*	0500	0,5 [mm]*
2	Valve	G8	Adapter G1/8*	0800	0,8 [mm]*
02	for Valve VMS-02*	LL	Adapter Luerlock*	1000	1,0 [mm]*
				1525	1,5 to 2,0 [mm]*
		4	Material	0000	not relevant
		00	carbide*		

STANDARD VARIANTS

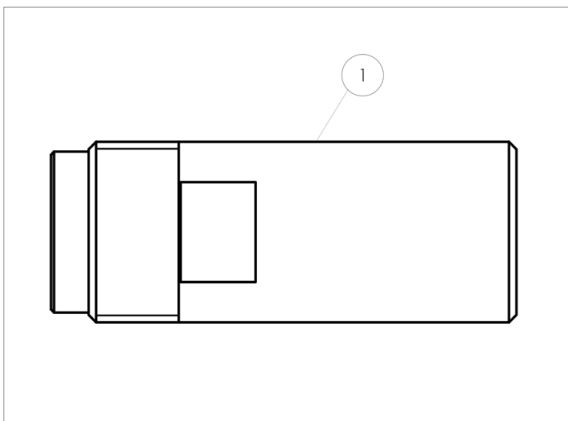
Item number	Order Code	Item number	Order Code
50010146	VNV-02-G8-00-0300	50010131	VNV-02-LV-00-0300
50010147	VNV-02-G8-00-0500*	50010136	VNV-02-LV-00-0500*
50010148	VNV-02-G8-00-0800	50010137	VNV-02-LV-00-0800
50010149	VNV-02-G8-00-1000*	50010138	VNV-02-LV-00-1000*
50010150	VNV-02-G8-00-1525	50010139	VNV-02-LV-00-1525
50010151	VNV-02-LL-00-0000		

TECHNICAL DATA

Dimensions	Ø 11,8 x 77 [mm]
Weight	0,009 [kg]

Processing & Application / Dosing / Nozzle

NOZZLE FULL-JET VALVE



USAGE

Spare Nozzles for the Full-jet Valve series VMS-02. The nozzles are available in different designs with different boring diameters. The boring diameter determines the matching valve needle.

CONSTRUCTION

1 Nozzle Full-jet valve

HIGHLIGHTS

- Different nozzle types for the ideal adaptation to the individual application

Processing & Application / Dosing / Nozzle

NOZZLE FULL-JET VALVE

ORDER CODE

(* STANDARD OPTIONS)

DVV	-		-		-		-		-		-		-		-		-		-		-	
1		2		3		4		5		6		7		8		9		10		11		

1	Designation	3	Nozzle type	4	Nozzle diameter
	Nozzle Full-jet Valve	01	length dosing nozzle	02	0,2 [mm]
		02	Adapter Luerlock	03	0,3 [mm]
2	Valve Type	03	Adapter G1/8	05	0,5 [mm]*
20	VMS-02			08	0,8 [mm]
				10	1,0 [mm]*
				15	1,5 [mm]
				20	2,0 [mm]

STANDARD VARIANTS

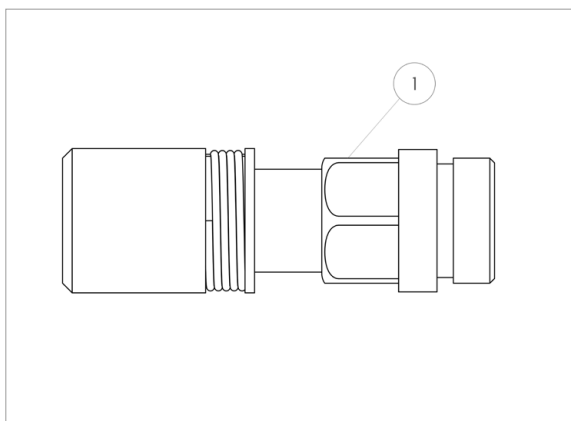
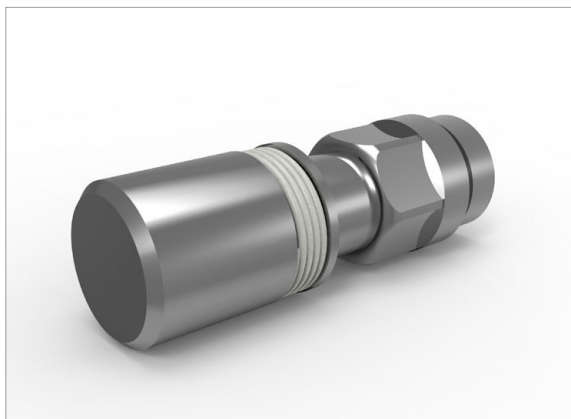
Item number	Order Code	Item number	Order Code
50010085	DVV-20-01-03	50009206	DVV-20-02-10*
50009203	DVV-20-01-05*	50010096	DVV-20-02-15
50010082	DVV-20-01-08	50010097	DVV-20-02-20
50009204	DVV-20-01-10*	50010072	DVV-20-03-03
50010083	DVV-20-01-15	50009207	DVV-20-03-05*
50010084	DVV-20-01-20	50009208	DVV-20-03-10*
50010094	DVV-20-02-02	50010073	DVV-20-03-15
50010095	DVV-20-02-03	50010074	DVV-20-03-20
50009205	DVV-20-02-05*		

TECHNICAL DATA

Depends on type

Processing & Application / Dosing / Nozzle Lock

VALVE NEEDLE LOCK DOSING



USAGE

The Valve Needle Lock is used for adjusting the stroke of the valve needle when the valve is open. A step-mechanism provides for a precise and repeatable adjustment. As an option, the Valve Needle Lock can be equipped with an integrated sensor for controlling / monitoring the valve needle opening.

CONSTRUCTION

1 Valve needle lock

HIGHLIGHTS

- Optional integrated sensor for monitoring the valve needle stroke
- expandable by a SAVE-NS for securing the needle stroke setting against unauthorized changes

YOUR BENEFITS

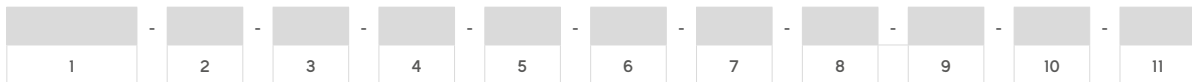
- Monitoring of a correct opening / closing of the valve
- precise and easy adjusting of the valve needle stroke

Processing & Application / Dosing / Nozzle Lock

VALVE NEEDLE LOCK DOSING

ORDER CODE

(* STANDARD OPTIONS)



STANDARD VARIANTS

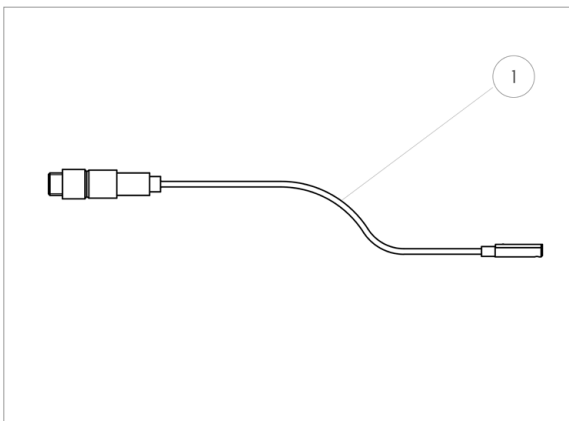
Item number	Order Code	Item number	Order Code
50007228	Valve needle lock VMS-02 without needle stroke sensor	50007229	Valve needle lock VMS-02 with needle stroke sensor

TECHNICAL DATA

Dimensions	Ø 15 x 45 [mm]
Weight	0,06 [kg]
Sensor operating voltage	24 [VDC]

Processing & Application / Dosing / Dosing Piston Sensor

DOSING PISTON SENSOR SINGLE



USAGE

Magnetfield-Sensor with M8 round plug-in connector for retrofitting the Dosing Valve series WDV. This sensor is used for checking the end positions of the dosing piston and monitoring a proper valve function. For monitoring both end positions, you have to install two sensors on the Dosing Valve. The sensors will be simply inserted into the C-groove of the dosing valves and fastened.

CONSTRUCTION

- 1 Dosing needle sensor single

HIGHLIGHTS

- Visual display of switching status directly on sensor
- easy mounting by simply inserting into pre-fab grooves on Dosing Valve

YOUR BENEFITS

- Monitoring of the correct opening / closing of the valve, guarantee for process safety

Processing & Application / Dosing / Dosing Piston Sensor

DOSING PISTON SENSOR SINGLE

ORDER CODE

(* STANDARD OPTIONS)

WDV-DS	-		-		-		-		-		-		-		-		-		-	
1		2		3		4		5		6		7		8		9		10		11

1	Designation
	Dosing Piston Sensor single

STANDARD VARIANTS

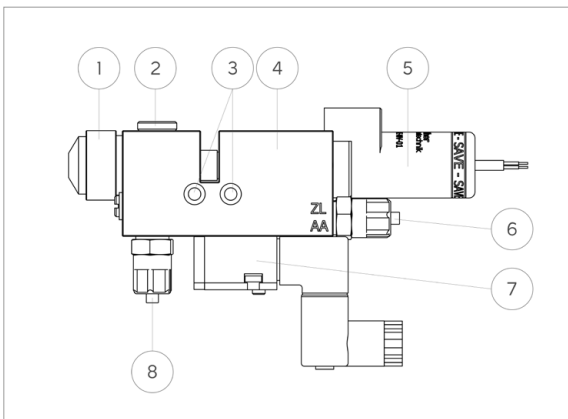
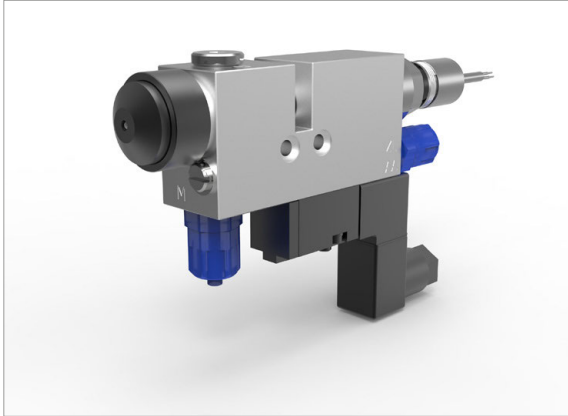
Item number	Order Code
50007909	WDV-DS

TECHNICAL DATA

Switching outlet	PNP (NO switch)
Operating voltage	24 [VDC]
Electric connection	Cable with round plug connection M8 (3-poles)

Processing & Application / Spraying / Valve

SMS-02 – SPRAY VALVE SERIES 02



USAGE

The Spray Valves of series 02 provide a solid basis for various spray applications. The Spray Valves are suitable for an intermitting as well as a continuing application of different media (e.g. oils, separating agents, paint, greases etc.). The Valves come with a flanged, electro-pneumatic 5/2-way valve which actively and parallelly opens and locks the valve needle, and activates the atomizer air. A throttle valve was integrated in the valve body and is used for setting the post-air time of the atomizer air when cleaning the nozzle.

CONSTRUCTION

- 1 Nozzle with air cap and retaining ring
- 2 Locking screw
- 3 Fastening thread
- 4 Basic housing
- 5 Raster-needle sensor with SAVE
- 6 Atomizer air connection
- 7 5/2-way magnetic valve
- 8 Material connection

HIGHLIGHTS

- No additional pneumatic valve required for controlling the atomizer air
- different nozzles and air cap combinations for a perfect adaptation to the desired spraying image
- optional sensor available for monitoring the valve needle stroke
- for complex spraying tasks, we offer a variety of adapted nozzle extensions optionally
- optional heating plate available for tempering the valve body

YOUR BENEFITS

- Possibility of realising a process control in connection with a WALTHER LOGIC Limit Value Module
- Valve for automated application of viscous media
- fast, repeatable installation through integrated centering hollows

SMS-02 – SPRAY VALVE SERIES 02

ORDER CODE

(* STANDARD OPTIONS)

SMS-02	-		-		-		-		-		-		-		-		-		-	
1		2		3		4		5		6		7		8		9		10		11

1	Designation	5	Pressure sensor	8	Nozzle type
	Spray Valve Series 02	T00	upper boring with plug*	NON	no nozzle
2	Sealing Type	T02	upper sensor 0 to 2 [Bar]	KLS03	KLS 0,3 [mm]
V	Viton*	T10	upper sensor 0 to 10 [Bar]	KLS05	KLS 0,5 [mm]*
I	Isolast	T50	upper sensor 0 to 50 [Bar]*	KLS08	KLS 0,8 [mm]*
E	EPDM	R00	boring right with plug	KLS10	KLS 1,0 [mm]
3		R02	sensor right 0 to 2 [Bar]	KLS15	KLS 1,5 [mm]
R	with sensor*	R10	sensor right 0 to 10 [Bar]	KLS20	KLS 2,0 [mm]
N	without sensor*	R50	sensor right 0 to 50 [Bar]	STA01	standard nozzle 0,1 [mm]
4	Save			STA03	standard nozzle 0,3 [mm]
S	installed*	6	Special design	STA05	standard nozzle 0,5 [mm]
N	not installed	00	without special version*	STA08	standard nozzle 0,8 [mm]
		01	6-kt retaining ring	STA10	standard nozzle 1,0 [mm]
7	Air cap			STA15	standard nozzle 1,5 [mm]
N00	no air cap / with DVL**			STA03	standard nozzle 2,0 [mm]
S10	air cap marking nozzle (8-10°)			STA25	standard nozzle 2,5 [mm]
R15	ring-jet 15°*			SIG01	marking nozzle 0,1 [mm]
F45	flat-jet 45°			SIG03	marking nozzle 0,3 [mm]
F60	flat-jet 60°			SIG05	marking nozzle 0,5 [mm]
F90	flat-jet 90°			DVL-	nozzle extension...*

STANDARD VARIANTS

Item number	Order Code	Item number	Order Code
50010677	SMS-02-F-R-S-T00-00-R15-KLS05	500xxxxx	SMS-02-F-R-S-T00-00-N00-DVLxx-...
50010678	SMS-02-F-R-S-T00-00-R15-KLS08	500xxxxx	SMS-02-F-R-S-T50-00-N00-DVLxx-...
50010681	SMS-02-F-R-S-T50-00-R15-KLS05	500xxxxx	SMS-02-F-N-S-T00-00-N00-DVLxx-...
50010682	SMS-02-F-R-S-T50-00-R15-KLS08	500xxxxx	SMS-02-F-N-S-T50-00-N00-DVLxx-...
50010685	SMS-02-F-N-S-T00-00-R15-KLS05		
50010686	SMS-02-F-N-S-T00-00-R15-KLS08		
50010689	SMS-02-F-N-S-T50-00-R15-KLS05		
50010690	SMS-02-F-N-S-T50-00-R15-KLS08		

Processing & Application / Spraying / Valve

SMS-02 – SPRAY VALVE SERIES 02

SPARE PARTS

Item number	Order Code	Designation
5000xxxx	DSV-xx-xx-xx	Nozzle Spray Valve
5000xxxx	VNS-xx-xx-xx-xxxx	Valve needle Spray Valve
5000xxxx	LKS-xx-xx-xx-xxxx	Air cap Spray Valve
50007630		Retaining ring hexagonal
50007629		Retaining ring round
50007205		Valve needle lock with needle stroke sensor
50010414		Valve needle lock
5000xxxx	WST-...	Magnetic valve 24V / DC / 1,8W with LED plug
5000xxxx	WST-...	Material wearing parts kit for SMS-02 (Standard), VITON
5000xxxx	WST-...	Wearing parts kit for SMS-02 (Raster-needle sensor), VITON
5000xxxx	WST-...	Wearing parts kit for SMS-02 (Standard), VITON

ACCESSORIES

Item number	Order Code	Designation
50008879	PS2-002-G18-A	Pressure sensor 2 [bar]
50008758	PS1-010-G18-A	Pressure sensor 10 [bar]
50008756	PS1-050-G18-A	Pressure sensor 50 [bar]
50008785		G1/8" Mounting system pressure sensor
50007634	HZP-90-25W-01	Heating plate
50007804	HZP-ISO-01	Insulating plate
50007618		Centering sleeve (2x)
50008400	WLG-40-470-SOFT-500	WALTHER LOGIC Limit Value Module incl. software
50008752	WLVC-30-320-SOFT-323	WALTHER LOGIC Valve Control incl. software
50008746	WLVCMI-10-101-SOFT-101	WALTHER LOGIC Valve Control MINI incl. software
50007662	RKS-01	Cleaning kit for valves
50007773	WZS-03	Tool set for valve maintenance
50010323	SAVE-NV-01	SAVE Valve needle lock
5000xxxx	WST- ...	Connecting screw joint matching the valve

TECHNICAL DATA

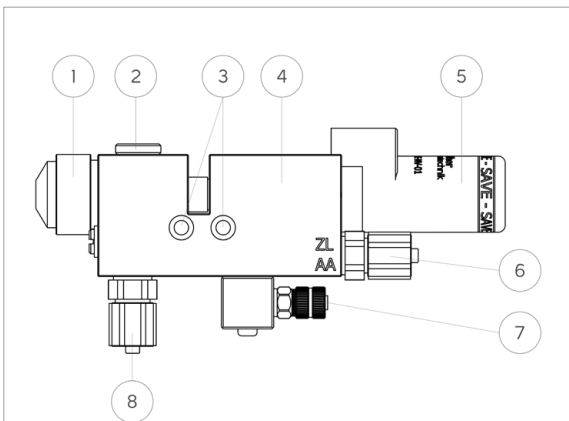
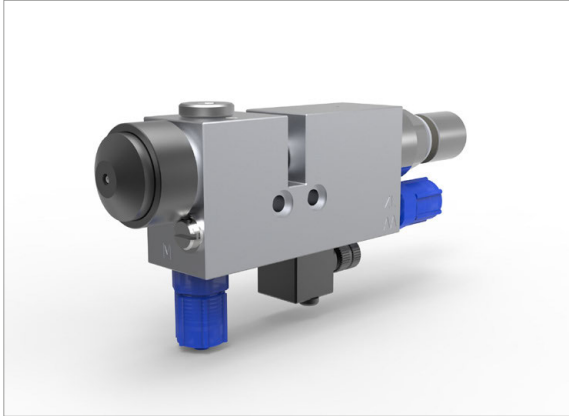
Process pressure	max. 35 [bar]
Control air pressure	min. 5 to 6 [bar]
Atomizer air pressure	0,5 to 6 [bar]
Process connection (medium)	G1/4" incl. hose screw joint 6/4
Process connection (air)	hose screw joint 6/4
Dimensions l x w x h	132 x 81 x 22 [mm] (incl. magnetic valve)
Weight	0,525 [kg]
Nozzle & needle	optionally hardened (kolsterised)

Processing & Application / Spraying / Valve

SMS-02 – SPRAY VALVE SERIES 02

Processing & Application / Spraying / Valve

SMS-20 – SPRAY VALVE SERIES 20



HIGHLIGHTS

- Different nozzles and air cap combinations for a perfect adaptation to the desired spraying image
- optional sensor available for monitoring the valve needle stroke
- for complex spraying tasks, we offer a variety of adapted nozzle extensions optionally
- optional heating plate available for tempering the valve body
- atomizer air and control air controlled independently

USAGE

The Spray Valves of series 20 provide a solid basis for multiple spray applications. The Spray Valves are suitable for an intermitting as well as a continuing application of different media (e.g. oils, separating agents, paint, greases etc.). The valves are controlled via an external, pneumatic 3/2-way valve. The valve needle is opened by the pressure of the compressed air and closed by spring pressure. A separate atomizer air inlet allows you switch the atomizer air for this series independently, regardless of the status of the compressed air.

CONSTRUCTION

- 1 Nozzle with air cap and retaining ring
- 2 Locking screw
- 3 Fastening thread
- 4 Basic housing
- 5 Raster-needle sensor with SAVE
- 6 Atomizer air connection
- 7 Control air connection
- 8 Material connection

YOUR BENEFITS

- Possibility of realising a process control in connection with a WALTHER LOGIC Limit Value Module
- Valve for automated application of viscous media
- fast, repeatable installation through integrated centering hollows

Processing & Application / Spraying / Valve

SMS-20 – SPRAY VALVE SERIES 20

ORDER CODE

(* STANDARD OPTIONS)

SMS-02	-		-		-		-		-		-		-		-		-		-	
1		2		3		4		5		6		7		8		9		10		11

1	Designation	5	Pressure sensor	8	Nozzle type
	Spray Valve Series 20	T00	upper boring with plug*	NON	no nozzle
		T02	upper sensor 0 to 2 [Bar]	KLS03	KLS 0,3 [mm]
2	Sealing Type	T10	upper sensor 0 to 10 [Bar]	KLS05	KLS 0,5 [mm]*
V	Viton*	T50	upper sensor 0 to 50 [Bar]*	KLS08	KLS 0,8 [mm]*
I	Isolast	R00	boring right with plug	KLS10	KLS 1,0 [mm]
E	EPDM	R02	sensor right 0 to 2 [Bar]	KLS15	KLS 1,5 [mm]
3	Needle stroke adjustment	R10	sensor right 0 to 10 [Bar]	KLS20	KLS 2,0 [mm]
R	with sensor*	R50	sensor right 0 to 50 [Bar]	STA01	standard nozzle 0,1 [mm]
N	without sensor*			STA03	standard nozzle 0,3 [mm]
4	Save	6	Special design	STA05	standard nozzle 0,5 [mm]
S	installed*	00	without special version*	STA08	standard nozzle 0,8 [mm]
N	not installed	01	6-kt retaining ring	STA10	standard nozzle 1,0 [mm]
		7	Air cap	STA15	standard nozzle 1,5 [mm]
		N00	no air cap / with DVL*	STA03	standard nozzle 2,0 [mm]
		S10	air cap marking nozzle (8-10°)	STA25	standard nozzle 2,5 [mm]
		R15	ring-jet 15°**	SIG01	marking nozzle 0,1 [mm]
		F45	flat-jet 45°	SIG03	marking nozzle 0,3 [mm]
		F60	flat-jet 60°	SIG05	marking nozzle 0,5 [mm]
		F90	flat-jet 90°	DVL-	nozzle extension...*

STANDARD VARIANTS

Item number	Order Code	Item number	Order Code
50010791	SMS-20-F-N-S-T00-00-R15-KLS05	5000xxxx	SMS-20-F-N-S-T00-00-N00-DVL...
50010792	SMS-20-F-N-S-T00-00-R15-KLS08	5000xxxx	SMS-20-F-N-S-T50-00-N00-DVL...
50010795	SMS-20-F-N-S-T50-00-R15-KLS05	5000xxxx	SMS-20-F-R-S-T00-00-N00-DVL...
50010796	SMS-20-F-N-S-T50-00-R15-KLS08	5000xxxx	SMS-20-F-R-S-T50-00-N00-DVL...
50010783	SMS-20-F-R-S-T00-00-R15-KLS05		
50010784	SMS-20-F-R-S-T00-00-R15-KLS08		
50010787	SMS-20-F-R-S-T50-00-R15-KLS05		
50010788	SMS-20-F-R-S-T50-00-R15-KLS08		

Processing & Application / Spraying / Valve

SMS-20 – SPRAY VALVE SERIES 20

SPARE PARTS

Item number	Order Code	Designation
5000xxxx	DSV-xx-xx-xx	Nozzle Spray Valve
5000xxxx	VNS-xx-xx-xx-xxxx	Valve needle Spray Valve
5000xxxx	LKS-xx-xx-xx-xxxx	Air cap Spray Valve
50007630		Retaining ring hexagonal
50007629		Retaining ring round
50007205		Valve needle lock with needle stroke sensor
50010422		Valve needle lock
5000xxxxx	WST-...	Wearing parts kit for SMS-20 (Standard), VITON

ACCESSORIES

Item number	Order Code	Designation
50008879	PS2-002-G18-A	Pressure sensor 2 [bar]
50008758	PS1-010-G18-A	Pressure sensor 10 [bar]
50008756	PS1-050-G18-A	Pressure sensor 50 [bar]
50008785		G1/8" Mounting system pressure sensor
50007634	HZP-90-25W-01	Heating plate
50007804	HZP-ISO-01	Insulating plate
50007618		Centering sleeve (2x)
50008400	WLG-40-470-SOFT-500	WALTHER LOGIC Limit Value Module incl. software
50008752	WLVC-30-320-SOFT-323	WALTHER LOGIC Valve Control incl. software
50008746	WLVC-10-101-SOFT-101	WALTHER LOGIC Valve Control MINI incl. software
50007662	RKS-01	Cleaning kit for valves
50007773	WZS-03	Tool set for valve maintenance
50010323	SAVE-NV-01	SAVE Valve needle lock
5000xxxx	WST- ...	Connecting screw joint matching the valve

TECHNICAL DATA

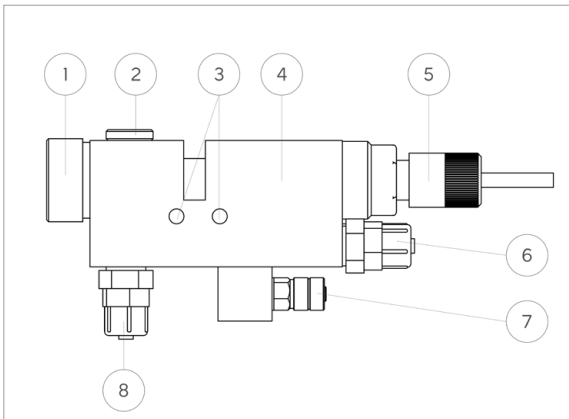
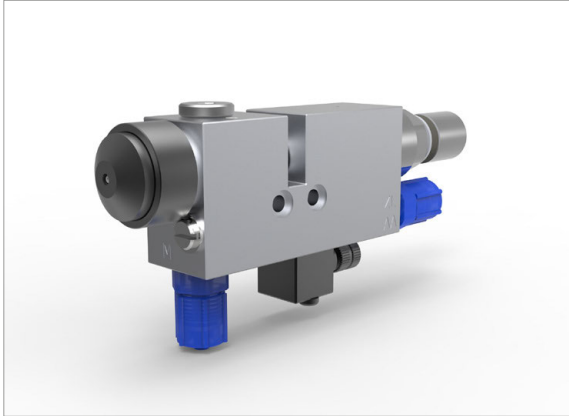
Process pressure	max. 50 [bar]
Control air pressure	max. 6 [bar]
Atomizer air pressure	0,5 to 5 [bar]
Process connection (medium)	G1/4" incl. hose screw joint 6/4
Process connection (air)	hose screw joint 6/4
Dimensions l x w x h	125 (129) x 22 x 79,5 [mm]
Weight	0,5 [kg]

Processing & Application / Spraying / Valve

SMS-20 – SPRAY VALVE SERIES 20

Processing & Application / Spraying / Valve

SMS-22 – SPRAY VALVE SERIES 22



HIGHLIGHTS

- Pneumatically controlled, active closing of valve needle
- different nozzles and air cap combinations for a perfect adaptation to the desired spraying image
- for complex spraying tasks, we offer a variety of adapted nozzle extensions optionally
- optional heating plate available for tempering the valve body
- atomizer air and control air controlled independently

USAGE

The Spray Valves of series 22 provide a solid basis for multiple spray applications. The Spray Valves are suitable for an intermitting as well as a continuing application of different media (e.g. oils, separating agents, paint, greases etc.). The valves are controlled via an external, pneumatic 3/2-way valve. The valve needle is opened and closed by compressed air pressure. The valve needle has a compressed-air supported closing which will guarantee a secure locking of the nozzle in this valve series, also under high process pressures. A separate atomizer air inlet allows you switch the atomizer air for this series independently, regardless of the status of the compressed air.

CONSTRUCTION

- 1 Nozzle with air cap and retaining ring
- 2 Locking screw
- 3 Fastening thread
- 4 Basic housing
- 5 Raster-needle sensor
- 6 Atomizer air connection
- 7 Control air connection
- 8 Material connection

YOUR BENEFITS

- Safe valve lock, also for high process pressures
- possibility for realising a process control with a WALTHER LOGIC Limit Value Module
- Valve for automated application of viscous media
- fast, repeatable installation through integrated centering hollows

Processing & Application / Spraying / Valve

SMS-22 – SPRAY VALVE SERIES 22

ORDER CODE

(* STANDARD OPTIONS)

SMS-22	-		-		-		-		-		-	
1		2		3		4		5		6		7

1	Designation	5	Pressure sensor	8	Nozzle type
	Spray Valve Series 22	T00	upper boring with plug*	NON	no nozzle
		T02	upper sensor 0 to 2 [Bar]	KLS03	KLS 0,3 [mm]
2	Sealing Type	T10	upper sensor 0 to 10 [Bar]	KLS05	KLS 0,5 [mm]*
F	FKM*	T50	upper sensor 0 to 50 [Bar]*	KLS08	KLS 0,8 [mm]*
E	EPDM	R00	boring right with plug	KLS10	KLS 1,0 [mm]
I	ISOLAST	R02	sensor right 0 to 2 [Bar]	KLS15	KLS 1,5 [mm]
3	Needle stroke adjustment	R10	sensor right 0 to 10 [Bar]	KLS20	KLS 2,0 [mm]
N	without sensor*	R50	sensor right 0 to 50 [Bar]	STA01	standard nozzle 0,1 [mm]
		6	Special design	STA03	standard nozzle 0,3 [mm]
4	Save	00	without special version*	STA05	standard nozzle 0,5 [mm]
S	installed*	01	6-kt retaining ring	STA08	standard nozzle 0,8 [mm]
N	not installed	7	Air cap	STA10	standard nozzle 1,0 [mm]
		N00	no air cap / with DVL*	STA15	standard nozzle 1,5 [mm]
		S10	air cap marking nozzle (8-10°)	STA03	standard nozzle 2,0 [mm]
		R15	ring-jet 15***	STA25	standard nozzle 2,5 [mm]
		F45	flat-jet 45°	SIG01	marking nozzle 0,1 [mm]
		F60	flat-jet 60°	SIG03	marking nozzle 0,3 [mm]
		F90	flat-jet 90°	SIG05	marking nozzle 0,5 [mm]
				DVL-	nozzle extension...*

STANDARD VARIANTS

Item number	Order Code	Item number	Order Code
5000xxxx	SMS-22-F-N-S-T00-00-N00-DVLxx-...	5000xxxx	SMS-22-F-N-S-T50-00-N00-DVLxx-...

SPARE PARTS

Item number	Order Code	Designation
5000xxxx	DSV-xx-xx-xx	Nozzle Spray Valve
5000xxxx	VNS-xx-xx-xx-xxxx	Valve needle Spray Valve
5000xxxx	LKS-xx-xx-xx-xxxx	Air cap Spray Valve
50007630		Retaining ring hexagonal
50007629		Retaining ring round
50010414		Valve needle lock (SMS-02/-22)
5000xxxx	WST-...	Wearing parts kit for SMS-22 (Standard), VITON

Processing & Application / Spraying / Valve

SMS-22 – SPRAY VALVE SERIES 22

ACCESSORIES

Item number	Order Code	Designation
50008879	PS2-002-G18-A	Pressure sensor 2 [bar]
50008758	PS1-010-G18-A	Pressure sensor 10 [bar]
50008756	PS1-050-G18-A	Pressure sensor 50 [bar]
50008785		G1/8" Mounting system pressure sensor
50007634	HZP-90-25W-01	Heating plate
50007804	HZP-ISO-01	Insulating plate
50008400	WLG-40-470-SOFT-500	WALTHER LOGIC Limit Value Module incl. software
50008752	WLVC-30-320-SOFT-323	WALTHER LOGIC Valve Control incl. software
50008746	WLVCM-10-101-SOFT-101	WALTHER LOGIC Valve Control MINI incl. software
50007662	RKS-01	Cleaning for valves
50007773	WZS-03	Tool set for valve maintenance
50010323	SAVE-NV-01	SAVE Valve needle lock
5000xxxx	WST- ...	Connecting screw joint matching the valve

TECHNICAL DATA

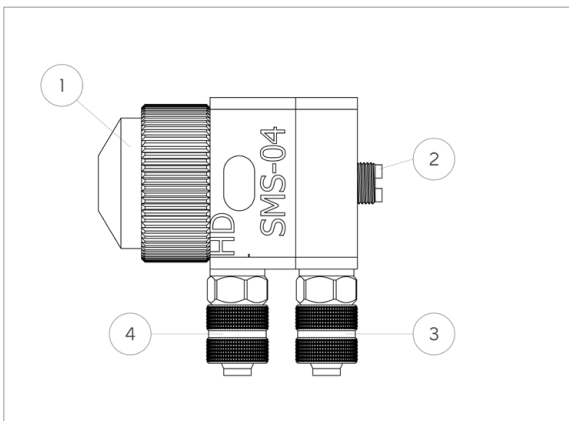
Process pressure	max. 35 [bar]
Control air pressure	min. 5 to 6 [bar]
Atomizer air pressure	0,5 to 5 [bar]
Process connection (medium)	G1/4" incl. hose screw joint 6/4
Process connection (air)	hose screw joint 6/4
Dimensions l x w x h	131 x 23,5 x 57,5 [mm]
Weight	0,5 [kg]
Nozzle & needle	optionally hardened (kolsterised)

Processing & Application / Spraying / Valve

SMS-22 – SPRAY VALVE SERIES 22

Processing & Application / Spraying / Valve

SMS-04 – SPRAY VALVE SERIES 04



USAGE

The Spray Valves of series 04 come with very little weight and a compact design, and are thus ideally suitable for all spray applications with limited working space, or where the moved mass has to be reduced to a minimum. The Spray Valves can be used for intermitting as well as continuing application of different media (e.g. oils, separating agents, paint, greases etc.). An external pneumatic 3/2-way valve is used for controlling (one for control air and one for atomizer air).

CONSTRUCTION

- 1 Nozzle with air cap and retaining ring
- 2 Regulating screw sprayed quantity
- 3 Air connections
- 4 Material connections

HIGHLIGHTS

- Regulation of valve needle stroke allows an easy setting of the medium quantity
- large selection of different valve nozzles and air caps (flat and round) for an individual adaptation of the spraying image
- optional sensor available for monitoring the valve needle stroke
- for complex spraying tasks, we offer a variety of adapted nozzle extensions optionally
- optional heating plate available for tempering the valve body

YOUR BENEFITS

- Valve for automated application of viscous media
- compact design, excellent integration into any production system
- low weight, ideal for high traversing speeds
- fast, repeatable mounting through integrated centering hollows

Processing & Application / Spraying / Valve

SMS-04 – SPRAY VALVE SERIES 04

ORDER CODE

(* STANDARD OPTIONS)

SMS-04	-		-		-		-		-		-		-		-		-		-	
1		2		3		4		5		6		7		8		9		10		11

1	Designation	6	Special design	8	Nozzle type
	Spray Valve Series 04	00	without special version*	NON	no nozzle
		01	6-kt retaining ring	KLS03	KLS 0,3 [mm]
2	Sealing Type	02	nozzle + needle hardened	KLS05	KLS 0,5 [mm]*
F	FKM*	03	PEEK-version	KLS08	KLS 0,8 [mm]*
E	EPDM			KLS10	KLS 1,0 [mm]
I	ISOLAST	7	Air cap	KLS15	KLS 1,5 [mm]
		N00	no air cap / with DVL*	KLS20	KLS 2,0 [mm]
3	Needle stroke adjustment	S10	air cap marking nozzle (8-10°)	STA01	standard nozzle 0,1 [mm]
R	with sensor	R15	ring-jet 15°*	STA03	standard nozzle 0,3 [mm]
N	without sensor*	F45	flat-jet 45°	STA05	standard nozzle 0,5 [mm]
		F60	flat-jet 60°	STA08	standard nozzle 0,8 [mm]
4	Position connections	F90	flat-jet 90°	STA10	standard nozzle 1,0 [mm]
S	sideward (90° to spraying axis)			STA15	standard nozzle 1,5 [mm]
R	rearward (180° to spraying axis)			STA03	standard nozzle 2,0 [mm]
				STA25	standard nozzle 2,5 [mm]
5	Pressure sensor			SIG01	marking nozzle 0,1 [mm]
N00	not installed*			SIG03	marking nozzle 0,3 [mm]
				SIG05	marking nozzle 0,5 [mm]
				DVL-	nozzle extension...*

STANDARD VARIANTS

Item number	Order Code	Item number	Order Code
50010650	SMS-04-F-N-N-N00-00-R15-KLS03	50010636	SMS-04-F-N-N-N00-00-R15-STA10
50010651	SMS-04-F-N-N-N00-00-R15-KLS05	5000xxxx	SMS-04-F-N-N-N00-00-N00-DVLxx-...

SPARE PARTS

Item number	Order Code	Designation
5000xxxx	DSV-xx-xx-xx	Nozzle Spray Valve
5000xxxx	VNS-xx-xx-xx-xxxx	Valve needle Spray Valve
5000xxxx	LKS-xx-xx-xx-xxxx	Air cap Spray Valve
50007630		Retaining ring hexagonal
50007629		Retaining ring round
50010671		Material wearing parts kit for SMS-04, ISOLAST
50010670		Material wearing parts kit for SMS-04, VITON

Processing & Application / Spraying / Valve

SMS-04 – SPRAY VALVE SERIES 04

ACCESSORIES

Item number	Order Code	Designation
5000xxxx	DVLSxx-xx-xxx-xxxx-xx-xxxx-xxx-x	Nozzle extension
50007714	HZP-90-25W-04	Heating plate
50007822	HZP-ISO-04	Insulating plate
50007618		Centering sleeve (2x)
50008400	WLG-40-470-SOFT-500	WALTHER LOGIC Limit Value Module incl. software
50008752	WLVC-30-320-SOFT-323	WALTHER LOGIC Valve Control incl. software
50008746	WLVC-10-101-SOFT-101	WALTHER LOGIC Valve Control MINI incl. software
50007662	RKS-01	Cleaning kit for valves
50007773	WZS-03	Tool set for valve maintenance
5000xxxx	WST- ...	Connecting screw joint matching the valve

TECHNICAL DATA

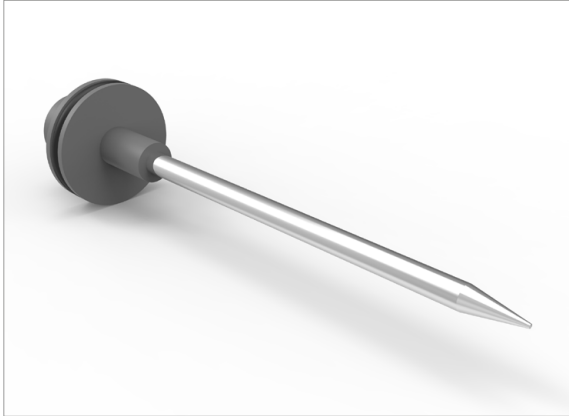
Process pressure	max.30 [bar]
Control air pressure	3 to 6 [bar]
Atomizer air pressure	0,5 to 6 [bar]
Process connection (medium)	G1/4" incl. hose screw joint 6/4
Process connection (air)	hose scre joint 6/4
Dimensions l x w x h	39 (42) x 25 x 25 [mm]
Weight	0,14 [kg]
Nozzle & needle	optionally hardened (kolsterised)

Processing & Application / Spraying / Valve

SMS-04 – SPRAY VALVE SERIES 04

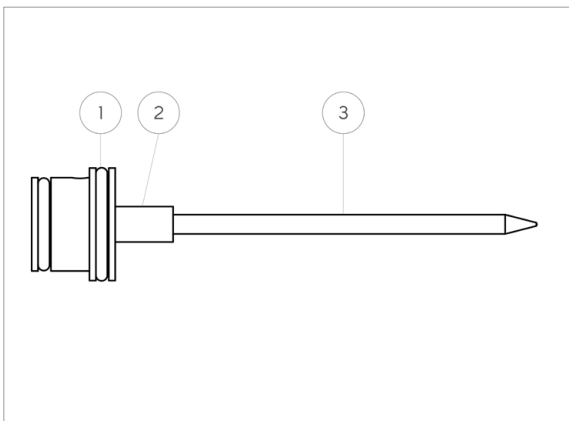
Processing & Application / Spraying / Valve Needle

VALVE NEEDLE SPRAY VALVE



USAGE

Spare Valve Needle for Spray Valves of the series SMS-02 / -20 / -22 and SMS-04. The employed valve nozzle (boring diameter) determines the selection of the valve needle.



CONSTRUCTION

- 1 O-Ring
- 2 Needle insert
- 3 Valve needle Spray valve

Processing & Application / Spraying / Valve Needle

VALVE NEEDLE SPRAY VALVE

ORDER CODE

(* STANDARD OPTIONS)

VNS	-		-		-		-		-		-		-		-		-		-		-	
1		2		3		4		5		6		7		8		9		10		11		

1	Designation	3	Nozzle form	5	Diameter range
	Valve Needle for Spray Valve	00	Standard and marking nozzle	0203	0,2 to 0,3 [mm]
		01	KLS-nozzle	0500	0,5 [mm]
		02	KLS-nozzle (hardened)	0800	0,8 [mm]
2	Valve Configuration	4	Material	0810	0,8 to 1,0 [mm]
K1	SMS02 (with valve needle sensor) or SMS20 (with/without valve needle sensor)*	00	Standard	1000	1,0 [mm]
K2	SMS02 (with sensor) or SMS22 (always without valve needle sensor)*			1200	1,2 [mm]
K3	SMS04 (without valve needle sensor)*			1500	1,5 [mm]
K4	SMS04 (with valve needle sensor)			1820	1,8 to 2,0 [mm]
				2000	2,0 [mm]
				2500	2,5 [mm]

STANDARD VARIANTS

Item number	Order Code
50010157	VNS-K2-00-00-0203
50010193	VNS-K2-00-00-0500
50010194	VNS-K2-00-00-0800
50010195	VNS-K2-00-00-1000
50010196	VNS-K2-00-00-1200
50010197	VNS-K2-00-00-1500
50010198	VNS-K2-00-00-1820
50010199	VNS-K2-00-00-2500
50010160	VNS-K1-00-00-0203
50010208	VNS-K1-00-00-0500
50010209	VNS-K1-00-00-0800
50010210	VNS-K1-00-00-1000
50010211	VNS-K1-00-00-1200
50010212	VNS-K1-00-00-1500
50010213	VNS-K1-00-00-2000
50010214	VNS-K1-00-00-2500
50010152	VNS-K2-01-00-0203
50010202	VNS-K2-01-00-0500 *
50010203	VNS-K2-01-00-0810 *

Item number	Order Code
50010204	VNS-K2-01-00-1200
50010205	VNS-K2-01-00-1500
50010206	VNS-K2-01-00-2000
50010207	VNS-K2-01-00-2500
50010221	VNS-K1-01-00-0203
50010222	VNS-K1-01-00-0500*
50010223	VNS-K1-01-00-0810*
50010224	VNS-K1-01-00-1200
50010225	VNS-K1-01-00-1500
50010226	VNS-K1-01-00-2000
50010227	VNS-K1-01-00-2500
50010215	VNS-K2-02-00-0203
50010216	VNS-K2-02-00-0500
50010217	VNS-K2-02-00-0810
50010218	VNS-K2-02-00-1200
50010219	VNS-K2-02-00-1500
50010220	VNS-K2-02-00-2000
50010288	VNS-K3-00-00-0203
50010289	VNS-K3-00-00-0500

Processing & Application / Spraying / Valve Needle

VALVE NEEDLE SPRAY VALVE

Item number	Order Code	Item number	Order Code
50010291	VNS-K3-00-00-0800	50010368	VNS-K4-00-00-2500
50010292	VNS-K3-00-00-1000 *	50010230	VNS-K3-01-00-0203 *
50010293	VNS-K3-00-00-1200	50010283	VNS-K3-01-00-0500 *
50010294	VNS-K3-00-00-1500	50010284	VNS-K3-01-00-0810
50010295	VNS-K3-00-00-2000	50010285	VNS-K3-01-00-1200
50010296	VNS-K3-00-00-2500	50010286	VNS-K3-01-00-1500
50010321	VNS-K4-00-00-0203	50010287	VNS-K3-01-00-2000
50010362	VNS-K4-00-00-0500	50010369	VNS-K4-01-00-0203
50010363	VNS-K4-00-00-0800	50010370	VNS-K4-01-00-0500
50010364	VNS-K4-00-00-1000	50010371	VNS-K4-01-00-0810
50010365	VNS-K4-00-00-1200	50010372	VNS-K4-01-00-1200
50010366	VNS-K4-00-00-1500	50010373	VNS-K4-01-00-1500
50010367	VNS-K4-00-00-2000	50010374	VNS-K4-01-00-2000

TECHNICAL DATA

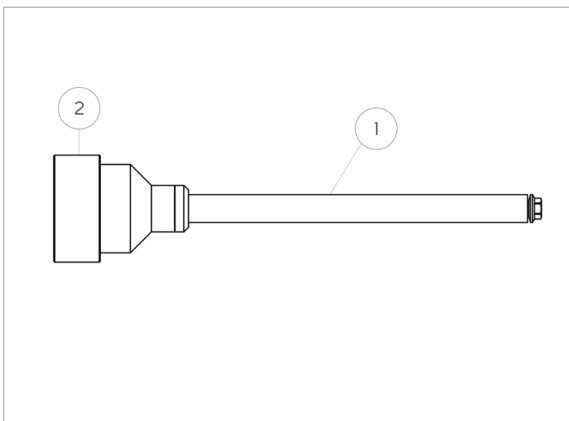
Dimensions	Ø 11,8 x 77 [mm]
Weight	0,009 [kg]

Processing & Application / Spraying / Valve Needle

VALVE NEEDLE SPRAY VALVE

Processing & Application / Spraying / Nozzle Extension

NOZZLE EXTENSION OUTLET SEALING



USAGE

Outlet-sealing Nozzle Extensions have their own valve needle which goes from the valve to the front end of the nozzle extension and locks the valve. These nozzle extensions were especially designed for applications with very limited space for installation in machines or robots, or where you have to spray in or through very tiny openings. As a standard, these nozzle extensions are available as „straight spraying 15°“, „straight spraying-with spin 45°“ and „ring-jet“.

CONSTRUCTION

- 1 Outer tube
- 2 Retaining ring

HIGHLIGHTS

- Very little dead space due inside needle
- indexing for a fast and repeatable orientation
- upon request, we can custom-design an adapted nozzle extension for almost any spraying application

YOUR BENEFITS

- Also in a closed overhead position, low-viscous media will not escape from the nozzle extension thanks to outlet-sealing effect
- position-accurate spraying, also for locations with difficult access

NOZZLE EXTENSION OUTLET SEALING

ORDER CODE

(* STANDARD OPTIONS)

DVLSOD	-		-		-		-		-		-		-		-		-		-	
1		2		3		4		5		6		7		8		9		10		11

1	Designation	5	Nozzle diameter	7	Indexing
	DVLSOD Nozzle Extension outlet sealing	03	0,3 [mm]	F00	no indexing*
		05	0,5 [mm]*	000	0°
		06	0,6 [mm]	045	45°
		08	0,8 [mm]*	090	90°
		10	1,0 [mm]	135	135°
		15	1,5 [mm]	180	180°
				225	225°
				270	270°
2	Valve Configuration	6	Nozzle form DVL	8	Material
K1	SMS02 (with sensor) or SMS20 (with/without sensor)*	GK15	straight 15° (KLS)*	M	brass*
K2	SMS02 (without sensor) or SMS22 (always without sensor)*	GS15	straight 15° (Standard)	P	Peek
K3	SMS04 (without sensor)*	DK30	spin 30° (KLS)	V	stainless steel
K4	SMS04 (with sensor)	DK45	spin 45° (KLS)*		
3	Outside diameter	DK60	spin 60° (KLS)		
040	4,0 [mm]	DS30	spin 30° (Standard)		
050	5,0 [mm]	DS45	spin 45° (Standard)		
060	6,0 [mm]*	DS60	spin 60° (Standard)		
080	8,0 [mm]*	RS01	ring-jet 360° 0,1		
100	10,0 [mm]	RS02	ring-jet 360° 0,2		
130	13,0 [mm]	RS03	ring-jet 360° 0,3		
4	Length	RS04	ring-jet 360° 0,4		
LLLL	custom-designed length [mm]	RS05	ring-jet 360° 0,5		
0050	50 [mm]*	RS06	ring-jet 360° 0,6*		
0100	100 [mm]m*	RS08	ring-jet 360° 0,8		
		RS09	ring-jet 360° 0,9		
		WS45	angled spraying 45°		
		WS90	angled spraying 90°		

STANDARD VARIANTS

Item number	Order Code	Item number	Order Code
50007654	DVLSOD-K1-060-0050-05-DK45-F00-M	50007691	DVLSOD-K1-060-0100-05-DK45-F00-M
50007868	DVLSOD-K1-060-0050-05-GK15-F00-E	50007680	DVLSOD-K1-060-0100-05-GK15-F00-M
50007639	DVLSOD-K1-060-0050-05-GK15-F00-M	50007761	DVLSOD-K1-060-0100-05-RS06-F00-M
50007758	DVLSOD-K1-060-0050-05-RS06-F00-M	50007812	DVLSOD-K1-060-0100-08-DK45-F00-M
50007815	DVLSOD-K1-060-0050-08-DK45-F00-M	50007839	DVLSOD-K1-060-0100-08-GK15-F00-M
50007838	DVLSOD-K1-060-0050-08-GK15-F00-M	50007763	DVLSOD-K1-060-0100-08-RS06-F00-M
50007756	DVLSOD-K1-060-0050-08-RS06-F00-M	50007678	DVLSOD-K1-080-0050-05-DK45-F00-M

Processing & Application / Spraying / Nozzle Extension

NOZZLE EXTENSION OUTLET SEALING

Item number	Order Code	Item number	Order Code
50007665	DVLSOD-K1-080-0050-05-GK15-F00-M	50007732	DVLSOD-K2-080-0100-05-GK15-F00-M
50007759	DVLSOD-K1-080-0050-05-RS06-F00-M	50007766	DVLSOD-K2-080-0100-05-RS06-F00-M
50007814	DVLSOD-K1-080-0050-08-DK45-F00-M	50007819	DVLSOD-K2-080-0100-08-DK45-F00-M
50007840	DVLSOD-K1-080-0050-08-GK15-F00-M	50007805	DVLSOD-K2-080-0100-08-GK15-F00-M
50007749	DVLSOD-K1-080-0050-08-RS06-F00-M	50007772	DVLSOD-K2-080-0100-08-RS06-F00-M
50007688	DVLSOD-K1-080-0100-05-DK45-F00-M	50007848	DVLSOD-K3-060-0050-05-DK45-F00-M
50007682	DVLSOD-K1-080-0100-05-GK15-F00-M	50007799	DVLSOD-K3-060-0050-05-GK15-F00-M
50007760	DVLSOD-K1-080-0100-05-RS06-F00-M	50007920	DVLSOD-K3-060-0050-05-RS06-F00-M
50007813	DVLSOD-K1-080-0100-08-DK45-F00-M	50007857	DVLSOD-K3-060-0050-08-DK45-F00-M
50007841	DVLSOD-K1-080-0100-08-GK15-F00-M	50007850	DVLSOD-K3-060-0050-08-GK15-F00-M
50007764	DVLSOD-K1-080-0100-08-RS06-F00-M	50007927	DVLSOD-K3-060-0050-08-RS06-F00-M
50007777	DVLSOD-K2-060-0050-05-DK45-F00-M	50007845	DVLSOD-K3-060-0100-05-DK45-F00-M
50007709	DVLSOD-K2-060-0050-05-GK15-F00-M	50007800	DVLSOD-K3-060-0100-05-GK15-F00-M
50007768	DVLSOD-K2-060-0050-05-RS06-F00-M	50007921	DVLSOD-K3-060-0100-05-RS06-F00-M
50007817	DVLSOD-K2-060-0050-08-DK45-F00-M	50007860	DVLSOD-K3-060-0100-08-DK45-F00-M
50007808	DVLSOD-K2-060-0050-08-GK15-F00-M	50007851	DVLSOD-K3-060-0100-08-GK15-F00-M
50007770	DVLSOD-K2-060-0050-08-RS06-F00-M	50007929	DVLSOD-K3-060-0100-08-RS06-F00-M
50007780	DVLSOD-K2-060-0100-05-DK45-F00-M	50007847	DVLSOD-K3-080-0050-05-DK45-F00-M
50007727	DVLSOD-K2-060-0100-05-GK15-F00-M	50007801	DVLSOD-K3-080-0050-05-GK15-F00-M
50007765	DVLSOD-K2-060-0100-05-RS06-F00-M	50007924	DVLSOD-K3-080-0050-05-RS06-F00-M
50007820	DVLSOD-K2-060-0100-08-DK45-F00-M	50007858	DVLSOD-K3-080-0050-08-DK45-F00-M
50007807	DVLSOD-K2-060-0100-08-GK15-F00-M	50007852	DVLSOD-K3-080-0050-08-GK15-F00-M
50007771	DVLSOD-K2-060-0100-08-RS06-F00-M	50007928	DVLSOD-K3-080-0050-08-RS06-F00-M
50007778	DVLSOD-K2-080-0050-05-DK45-F00-M	50007846	DVLSOD-K3-080-0100-05-DK45-F00-M
50007708	DVLSOD-K2-080-0050-05-GK15-F00-M	50007802	DVLSOD-K3-080-0100-05-GK15-F00-M
50007767	DVLSOD-K2-080-0050-05-RS06-F00-M	50007925	DVLSOD-K3-080-0100-05-RS06-F00-M
50007818	DVLSOD-K2-080-0050-08-DK45-F00-M	50007859	DVLSOD-K3-080-0100-08-DK45-F00-M
50007806	DVLSOD-K2-080-0050-08-GK15-F00-M	50007853	DVLSOD-K3-080-0100-08-GK15-F00-M
50007769	DVLSOD-K2-080-0050-08-RS06-F00-M	50007930	DVLSOD-K3-080-0100-08-RS06-F00-M
50007779	DVLSOD-K2-080-0100-05-DK45-F00-M		

SPARE PARTS

Item number	Order Code	Designation
50007630		Retaining ring hexagonal
50007629		Retaining ring round

TECHNICAL DATA

Weight	depends on length
Dimensions	depends on version

Processing & Application / Spraying / Nozzle Extension

NOZZLE EXTENSION OUTLET SEALING

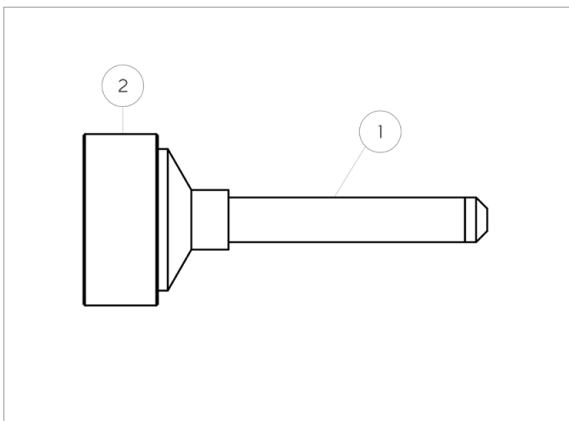
Processing & Application / Spraying / Nozzle Extension

NOZZLE EXTENSION INLET SEALING



USAGE

Inlet-sealing Nozzle Extensions are placed on a valve nozzle instead of an air cap. Valve nozzle and needle will still open and lock the valve. These nozzle extensions were especially designed for applications with very limited space for installation in machines or robots, or where you have to spray in or through very tiny openings. As a standard, these nozzle extensions are available as „straight spraying 15°“ „straight spraying-with spin 45°“ and „ring-jet“.



CONSTRUCTION

- 1 Retaining ring
- 2 Outer tube adapter
- 3 Outer tube
- 4 Screw-in nozzle
- 5 O-Ring
- 6 Needle

HIGHLIGHTS

- Indexing for a fast and repeatable orientation
- upon request, we can custom-design an adapted nozzle extension for almost any spraying application

YOUR BENEFITS

- Position-accurate spraying, also for locations with difficult access

Processing & Application / Spraying / Nozzle Extension

NOZZLE EXTENSION INLET SEALING

ORDER CODE

(* STANDARD OPTIONS)

DVLSID	-	-	-	-	-	-	-	-	-	-	-
1	2	3	4	5	6	7	8	9	10	11	

1	Designation	5	Nozzle diameter	7	Indexing
	Nozzle Extension inlet sealing for Spray Valves	00	Ring-jet nozzle*	F00	in indexing*
		03	0,3 mm	000	0°
		05	0,5 mm*	045	45°
		06	0,6 mm	090	90°
		08	0,8 mm	135	135°
		10	1,0 mm*	180	180°
		15	1,5 mm	225	225°
				270	270°
2	Valve Configuration	6	Nozzle form DVL	8	Material
S10	Nozzle standard up to 1,0 mm*	GK15	straight 15° (KLS)*	M	brass*
S20	Nozzle 1,2 < standard <= 2,0 mm	GS15	straight 15° (Standard)	P	Peek
S25	Nozzle standard 2,5 mm	DK30	spin 30° (KLS)	V	stainless steel
3	Outside diameter	DK45	spin 45° (KLS)*		
045	4,5 [mm]	DK60	spin 60° (KLS)		
050	5,0 [mm]	DS30	spin 30° (Standard)		
060	6,0 [mm]*	DS45	spin 45° (Standard)		
080	8,0 [mm]*	DS60	spin 60° (Standard)		
100	10,0 [mm]	RS01	ring-jet 360° 0,1		
130	13,0 [mm]	RS02	ring-jet 360° 0,2		
4	Length	RS03	ring-jet 360° 0,3		
LLLL	custom-designed length	RS04	ring-jet 360° 0,4		
0050	50 mm*	RS05	ring-jet 360° 0,5		
0100	100 mm*	RS06	ring-jet 360° 0,6*		
		RS08	ring-jet 360° 0,8		
		RS09	ring-jet 360° 0,9		
		WS45	angled spraying 45°		
		WS90	angled spraying 90°		

Processing & Application / Spraying / Nozzle Extension

NOZZLE EXTENSION INLET SEALING

STANDARD VARIANTS

Item number	Order Code	Item number	Order Code
50008787	DVLSID-S10-060-0050-05-DK45-F00-M	50008801	DVLSID-S10-080-0050-05-DK45-F00-M
50008786	DVLSID-S10-060-0050-05-GK15-F00-M	50008800	DVLSID-S10-080-0050-05-GK15-F00-M
50008788	DVLSID-S10-060-0050-05-RS06-F00-M	50008802	DVLSID-S10-080-0050-05-RS06-F00-M
50008790	DVLSID-S10-060-0050-10-DK45-F00-M	50008805	DVLSID-S10-080-0050-10-DK45-F00-M
50008789	DVLSID-S10-060-0050-10-GK15-F00-M	50008804	DVLSID-S10-080-0050-10-GK15-F00-M
50008791	DVLSID-S10-060-0050-10-RS06-F00-M	50008806	DVLSID-S10-080-0050-10-RS06-F00-M
50008793	DVLSID-S10-060-0100-05-DK45-F00-M	50008811	DVLSID-S10-080-0100-05-DK45-F00-M
50008792	DVLSID-S10-060-0100-05-GK15-F00-M	50008810	DVLSID-S10-080-0100-05-GK15-F00-M
50008794	DVLSID-S10-060-0100-05-RS06-F00-M	50008812	DVLSID-S10-080-0100-05-RS06-F00-M
50008796	DVLSID-S10-060-0100-10-DK45-F00-M	50008814	DVLSID-S10-080-0100-10-DK45-F00-M
50008795	DVLSID-S10-060-0100-10-GK15-F00-M	50008813	DVLSID-S10-080-0100-10-GK15-F00-M
50008797	DVLSID-S10-060-0100-10-RS06-F00-M	50008815	DVLSID-S10-080-0100-10-RS06-F00-M

SPARE PARTS

Item number	Order Code	Designation
50002841		O-Ring Valve nozzle Ø 0,2 1,0 [mm]
50010933		O-Ring Valve nozzle Ø 1,2 2,5 [mm]
50007630	WST-...	Retaining ring hexagonal
50007629	WST-...	Retaining ring round

ACCESSORIES

Item number	Order Code	Designation
-------------	------------	-------------

TECHNICAL DATA

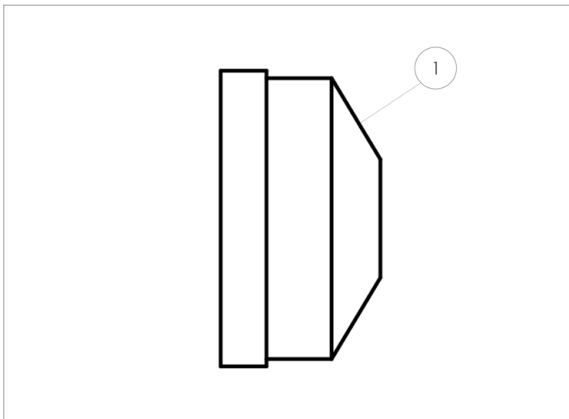
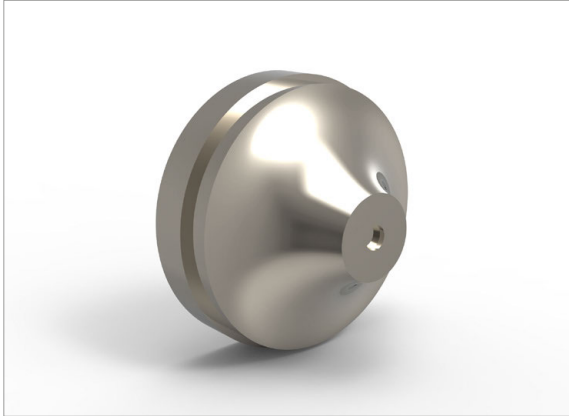
Weight	depends on length
Dimensions	depends on version

Processing & Application / Spraying / Nozzle Extension

NOZZLE EXTENSION INLET SEALING

Processing & Application / Spraying / Air Cap

AIR CAP SPRAY VALVE



HIGHLIGHTS

- Air caps available for marking, round-jet and flat-jet applications

USAGE

The Air Caps will be placed on the nozzle of the Spray Valves in order to produce a targeted atomizer air jet. The atomizer air will also carry along the discharged medium from the valve nozzle to the target position. Depending on the air cap, a flat or a round jet will be used. The employed valve nozzle determines the air cap.

CONSTRUCTION

- 1 Air cap Spray Valve

Processing & Application / Spraying / Air Cap

AIR CAP SPRAY VALVE

ORDER CODE

(* STANDARD OPTIONS)

LKS	-		-		-		-		-		-	
1		2		3		4		5		6		7

1	Designation	4	Jet angle	6	Nozzle diameter
	Air Cap Spray Valve	15	15°	0205	0,2 to 0,5 [mm]
		45	45°	0210	0,2 to 1,0 [mm]
		60	60°	0810	0,8 to 1,0 [mm]
2	Valve Type	08	8°	1215	1,2 to 1,5 [mm]
00	SMS-02/-20/-22/-04*	90	90°	1820	1,8 to 2,0 [mm]
				2500	2,5 [mm]
3	Cap form	5	Nozzle type		
FL	flat-jet cap	01	standard nozzle		
RU	round-jet cap	02	KLS-nozzle		
SI	marking-jet cap	03	spin nozzle		
		04	spin nozzle (hardened)		
		05	marking nozzle		

STANDARD VARIANTS

Item number	Order Code	Item number	Order Code
50008873	LKS-00-FL-45-01-0210	50009185	LKS-00-FL-60-02-2500
50009191	LKS-00-FL-45-01-1215	50009178	LKS-00-FL-90-01-0210
50009192	LKS-00-FL-45-01-1820	50009198	LKS-00-FL-90-01-1215
50008874	LKS-00-FL-45-02-0210	50009199	LKS-00-FL-90-01-1820
50009180	LKS-00-FL-45-02-1215	50009200	LKS-00-FL-90-01-2500
50009181	LKS-00-FL-45-02-1820	50009179	LKS-00-FL-90-02-0210
50009193	LKS-00-FL-60-01-0210	50009188	LKS-00-FL-90-02-1215
50009195	LKS-00-FL-60-01-1215	50009189	LKS-00-FL-90-02-1820
50009196	LKS-00-FL-60-01-1820	50009190	LKS-00-FL-90-02-2500
50009197	LKS-00-FL-60-01-2500	50008848	LKS-00-RU-15-01-0210
50009182	LKS-00-FL-60-02-0210	50008862	LKS-00-RU-15-01-1215
50009183	LKS-00-FL-60-02-1215	50008863	LKS-00-RU-15-01-1820
50009184	LKS-00-FL-60-02-1820	50008864	LKS-00-RU-15-01-2500

Processing & Application / Spraying / Air Cap

AIR CAP SPRAY VALVE

Item number	Order Code	Item number	Order Code
50008859	LKS-00-RU-15-02-0210	50008868	LKS-00-RU-15-02-2500
50008866	LKS-00-RU-15-02-1215	50009201	LKS-00-SI-08-03-0205
50008867	LKS-00-RU-15-02-1820	50009202	LKS-00-SI-08-03-0810

TECHNICAL DATA

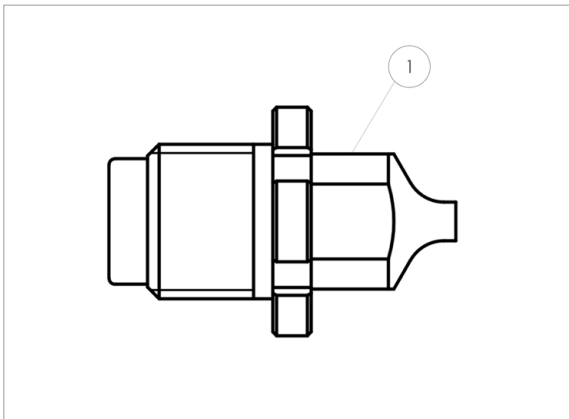
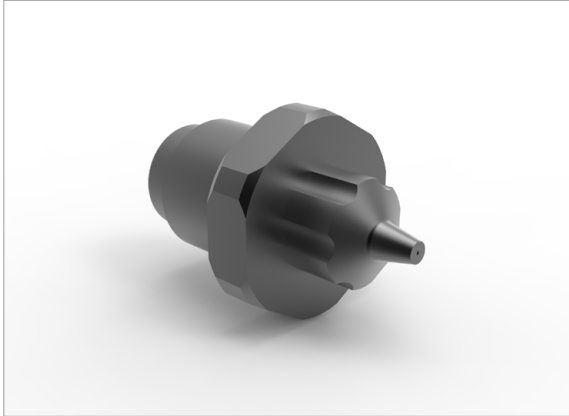
Dimensions	Ø 20,0 x 10 (18) [mm]
Weight	0,014 [kg]

Processing & Application / Spraying / Air Cap

AIR CAP SPRAY VALVE

Processing & Application / Spraying / Nozzle

NOZZLE SPRAY VALVE



USAGE

Spare Nozzles for the Spray Valve series SMS-02 / -20 / -22 and SMS-04. The nozzles are available with different boring diameters. Select a matching valve needle, depending on the boring diameter.

CONSTRUCTION

1 Nozzle Spray Valve

Processing & Application / Spraying / Nozzle

NOZZLE SPRAY VALVE

ORDER CODE

(* STANDARD OPTIONS)

DSV	-	-	-	-	-	-	-	-	-	-	-
1	2	3	4	5	6	7	8	9	10	11	

1	Designation	3	Nozzle type	4	Nozzle diameter
	Nozzle for Spray Valve	01	Standard nozzle*	02	0,2 [mm]*
		02	KLS-nozzle*	03	0,3 [mm]*
		03	twist nozzle*	04	0,4 [mm]*
		04	twist nozzle (hardened)*	05	0,5 [mm]*
		05	marking nozzle*	08	0,8 [mm]*
				10	1,0 [mm]*
				12	1,2 [mm]*
				15	1,5 [mm]*
				20	2,0 [mm]*
				25	2,5 [mm]*

STANDARD VARIANTS

Item number	Order Code	Item number	Order Code
50008872	DSV-00-01-02	50010113	DSV-00-03-05
50008884	DSV-00-01-03	50010110	DSV-00-03-08
50008885	DSV-00-01-05	50010114	DSV-00-03-10
50010077	DSV-00-01-08	50010115	DSV-00-03-12
50010076	DSV-00-01-10*	50010116	DSV-00-03-15
50010078	DSV-00-01-12	50010117	DSV-00-03-20
50008886	DSV-00-01-15	50010118	DSV-00-03-25
50010079	DSV-00-01-20	50010098	DSV-00-04-02
50009177	DSV-00-01-25	50010099	DSV-00-04-03
50010087	DSV-00-02-02	50010100	DSV-00-04-05
50008888	DSV-00-02-03	50010101	DSV-00-04-08
50008876	DSV-00-02-05*	50010102	DSV-00-04-10
50008877	DSV-00-02-08*	50010103	DSV-00-04-15
50010088	DSV-00-02-10	50010104	DSV-00-04-20
50010089	DSV-00-02-12	50010134	DSV-01-05-02
50010090	DSV-00-02-15	50010140	DSV-01-05-03
50010091	DSV-00-02-20	50010141	DSV-01-05-04
50010092	DSV-00-02-25	50010142	DSV-01-05-05
50010112	DSV-00-03-03	50010144	DSV-01-05-08

Processing & Application / Spraying / Nozzle

NOZZLE SPRAY VALVE

Item number	Order Code	Item number	Order Code
50010162	DSV-04-05-02	50010165	DSV-04-05-08
50010163	DSV-04-05-03	50010166	DSV-04-05-10
50010164	DSV-04-05-05		

TECHNICAL DATA

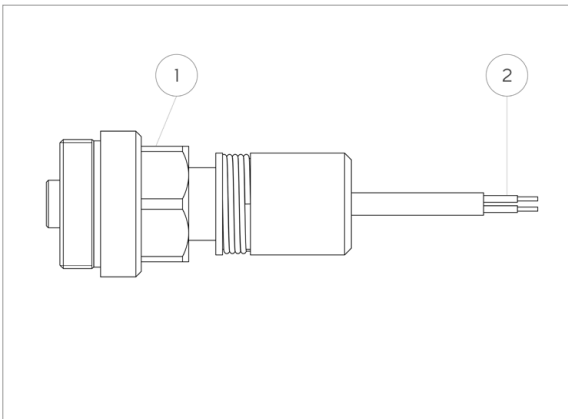
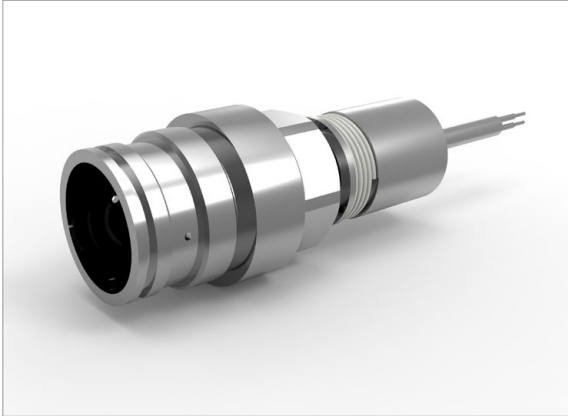
Dimensions	12,0 x 18 [mm]
Weight	0,007 [kg]

Processing & Application / Spraying / Nozzle

NOZZLE SPRAY VALVE

Processing & Application / Spraying / Needle Lock

VALVE NEEDLE LOCK SPRAYING



USAGE

The stroke of the valve needle will be set via the Valve Needle Lock when the valve is open. A step-mechanism provides for a precise and repeatable adjustment. As an option, the Valve Needle Lock can be equipped with an integrated sensor for controlling / monitoring the valve needle opening.

CONSTRUCTION

- 1 Valve needle lock
- 2 Connecting cable

HIGHLIGHTS

- Optional integrated sensor for monitoring the valve needle stroke
- expandable by a SAVE-NS for securing the needle stroke setting against unauthorized changes

YOUR BENEFITS

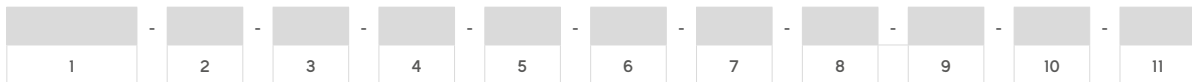
- Monitoring of correct opening / closing of valve
- precise and easy setting of the valve needle stroke

Processing & Application / Spraying / Needle Lock

VALVE NEEDLE LOCK SPRAYING

ORDER CODE

(* STANDARD OPTIONS)



STANDARD VARIANTS

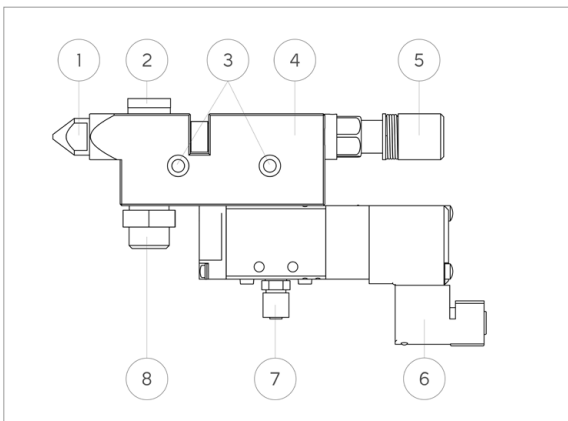
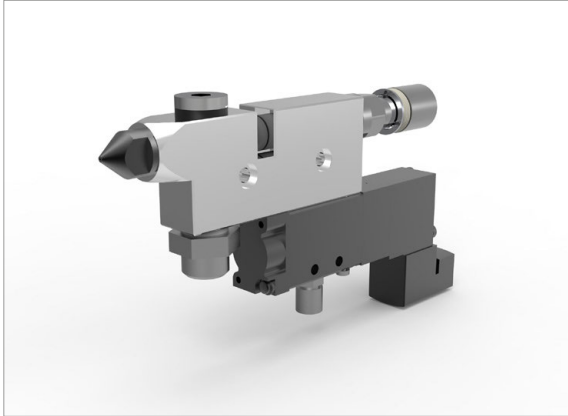
Item number	Order Code	Item number	Order Code
50007205	Valve needle lock with needle stroke sensor (SMS-02/-20)	50010414	Valve needle lock (SMS-02/-22)
		50010422	Valve needle lock (SMS-20)

TECHNICAL DATA

Dimensions	Ø 21,5 x 51,9 [mm]
Weight	0,06 [kg]
Sensor operating voltage	24 [VDC]

Processing & Application / Pulsing / Valves

MPP-01 – MICRO-POINT-PULSE VALVE TYPE 1



USAGE

The MPP Pulse Valve is best for a contact-free medium application (Pulsing). These process valves allow you to shoot dots of different media over a distance of up to 150 [mm] onto the target component. With this functional principle, you will be able to reach locations with difficult access, such as borings or beadings, for a medium application. As an option, a light barrier can monitor each individually applied medium dot.

CONSTRUCTION

- 1 Nozzle
- 2 Locking screw
- 3 Fastening thread
- 4 Basic housing
- 5 Raster-needle sensor
- 6 Magnetic valve
- 7 Control air connection
- 8 Material connection

HIGHLIGHTS

- Broad spectrum of use from dynamic smallest quantities to jet-stream dosing
- contact-free medium application
- broad spectrum of use for different media and a wide range of viscosity
- high flexibility due to replaceable nozzle and dosing needle
- optional light barrier available for monitoring the medium discharge
- optional heating plate available for tempering the valve

YOUR BENEFITS

- Suitable for an efficient, contact-free dosing of viscous media
- adjustable dosing volume
- compact design, excellent integration into any production system
- low weight, ideal for high traversing speeds
- possibility for realising a process control in connection with a WALTHER LOGIC Limit Value Module

Processing & Application / Pulsing / Valves

MPP-01 – MICRO-POINT-PULSE VALVE TYPE 1

ORDER CODE

(* STANDARD OPTIONS)

MPP-01	-		-		-		-		-		-	
1		2		3		4		5		6		7

1	Designation	4	Save	6	Nozzle diameter
	Micro-Point-Pulse Valve Type	S	installed*	02	0,2 [mm]
1		N	not installed*	03	0,3 [mm]
2	Sealing Material	5	Pressure sensor	05	0,5 [mm]*
V	Viton*	T00	upper boring with plug*	08	0,8 [mm]
I	Isolast	T02	upper sensor 0 to 2 [Bar]	10	1,0 [mm]
E	EPDM	T10	upper sensor 0 to 10 [Bar]	7	Material of housing
3	Needle stroke adjustment	T50	upper sensor 0 to 50 [Bar]*	M	brass nickel-plated*
R	with sensor*	R00	boring right with plug	E	stainless steel
N	without sensor*	R02	sensor right 0 to 2 [Bar]		
		R10	sensor right 0 to 10 [Bar]		
		R50	sensor right 0 to 50 [Bar]		

STANDARD VARIANTS

Item number	Order Code	Item number	Order Code
50010457	MPP-01-V-N-N-T00-05-M	50010458	MPP-01-V-R-N-T00-05-M
50010474	MPP-01-V-N-N-T50-05-M	50010477	MPP-01-V-R-N-T50-05-M
50010475	MPP-01-V-N-S-T00-05-M	50010478	MPP-01-V-R-S-T00-05-M
50010476	MPP-01-V-N-S-T50-05-M	50010479	MPP-01-V-R-S-T50-05-M

SPARE PARTS

Item number	Order Code	Designation
5000xxxx	DPV-xx-xx-xx	Nozzles Pulse Valve
5000xxxx	VNP-xx-xx-xx-xx	Valve needle Pulse Valve
50007228		Valve needle lock with needle stroke sensor
50007229		Valve needle lock with needle stroke sensor
50010621		Magnetic valve with connecting plug
50010652		Wearing parts kit ISOLAST
50010648		Wearing parts kit FKM

Processing & Application / Pulsing / Valves

MPP-01 – MICRO-POINT-PULSE VALVE TYPE 1

ACCESSORIES

Item number	Order Code	Designation
50008879	PS2-002-G18-A	Pressure sensor 2 [bar]
50008758	PS1-010-G18-A	Pressure sensor 10 [bar]
50008756	PS1-050-G18-A	Pressure sensor 50 [bar]
50008785		G1/8" Mounting system pressure sensor
50007751	HZP-90-25W-07	Heating plate
50007835	HZP-ISO-07	Insulating plate
50007618		Centering sleeve (2x)
50008400	WLG-40-470-SOFT-500	WALTHER LOGIC Limit Value Module incl. software
50008752	WLVC-30-320-SOFT-323	WALTHER LOGIC Valve Control incl. software
50008746	WLVCMI-10-101-SOFT-101	WALTHER LOGIC Valve Control MINI incl. software
50007662	RKS-01	Cleaning kit for valves
50007773	WZS-03	Tool set for valve maintenance
50010324	SAVE-NV-02	SAVE Valve needle lock

TECHNICAL DATA

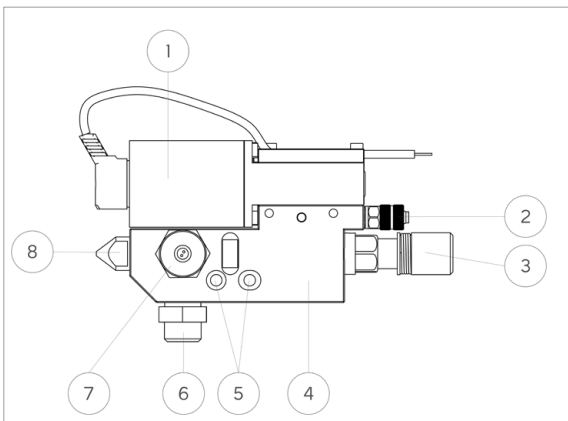
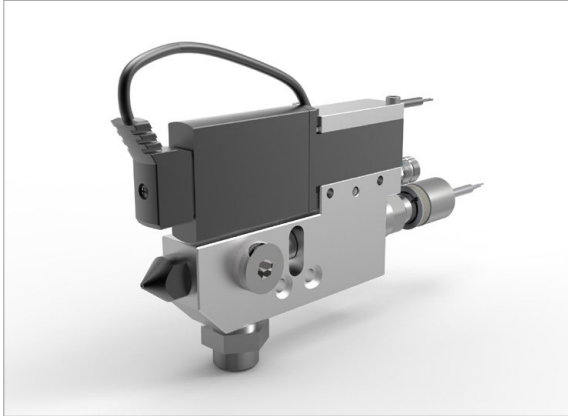
Process pressure	max. 100 [bar]
Switching frequency	max. 40 [Hz]
Weight	425 [g]
Dimensions l x w x h	144 x 15 x 82 [mm]
Process connection	G1/8
Control air pressure	6 [bar]

Processing & Application / Pulsing / Valves

MPP-01 – MICRO-POINT-PULSE VALVE TYPE 1

Processing & Application / Pulsing / Valves

MPP-03 – MICRO-POINT-PULSE VALVE TYPE 3



USAGE

The MPP Pulse Valve is best for a contact-free medium application (Pulsing). These process valves allow you to shoot dots of different media over a distance of up to 150 [mm] onto the target component. With this functional principle, you will be able to reach locations with difficult access, such as borings or beadings, for a medium application. The fast pulse frequency of up to 200 [Hz] also makes a bead application possible. As an option, a light barrier can monitor each individually applied medium dot.

CONSTRUCTION

- 1 Magnetic valve
- 2 Control air connection
- 3 Raster-needle sensor
- 4 Basic body
- 5 Fastening thread
- 6 Material connection
- 7 Pressure sensor
- 8 Nozzle Full-jet valve

HIGHLIGHTS

- Broad spectrum of use from dynamic smallest quantities to jet-stream dosing
- contact-free medium application
- broad spectrum of use for different media and a wide range of viscosity
- high flexibility due to replaceable nozzle and dosing needle
- optional light barrier available for monitoring the medium discharge
- optional heating plate available for tempering the valve

YOUR BENEFITS

- Suitable for an efficient, contact-free dosing of viscous media
- adjustable dosing volume
- compact design, excellent integration into any production system
- low weight, ideal for high traversing speeds
- possibility for realising a process control in connection with a WALTHER LOGIC Limit Value Module

Processing & Application / Pulsing / Valves

MPP-03 – MICRO-POINT-PULSE VALVE TYPE 3

ORDER CODE

(* STANDARD OPTIONS)

MPP-03	-		-		-		-		-		-	
1		2		3		4		5		6		7

1	Designation	5	Pressure sensor	6	Nozzle diameter
	Micro-Point-Pulse Valve Type	N00	no boring*	02	0,2 [mm]
3		L00	boring left with plug	03	0,3 [mm]
		L02	0 to 2 [Bar]	05	0,5 [mm]*
2	Sealing Material	L10	0 to 10 [Bar]	08	0,8 [mm]
V	Viton*	L50	0 to 50 [Bar]*	10	1,0 [mm]
I	Isolast	R00	boring right with plug		
E	EPDM	R02	0 to 2 [Bar]	7	Valve needle
3	Needle stroke adjustment	R10	0 to 10 [Bar]	STD	nozzle needle standard (ceramic)*
R	with sensor*	R50	0 to 50 [Bar]*	HMT	nozzle needle (carbide)
N	without sensor*			8	Material of housing
4	Save			M	brass nickel-plated*
S	installed*			E	stainless steel
N	not installed*				

STANDARD VARIANTS

Item number	Order Code	Item number	Order Code
50010749	MPP-03-V-N-N-L50-05-STD-M	50010757	MPP-03-V-R-N-R50-05-STD-M
50010750	MPP-03-V-N-N-N00-05-STD-M	50010758	MPP-03-V-R-S-L50-05-STD-M
50010751	MPP-03-V-N-N-R50-05-STD-M	50010759	MPP-03-V-R-S-N00-05-STD-M
50010752	MPP-03-V-N-S-L50-05-STD-M	50010760	MPP-03-V-R-S-R50-05-STD-M
50010753	MPP-03-V-N-S-N00-05-STD-M		
50010754	MPP-03-V-N-S-R50-05-STD-M		
50010755	MPP-03-V-R-N-L50-05-STD-M		
50010756	MPP-03-V-R-N-N00-05-STD-M		

Processing & Application / Pulsing / Valves

MPP-03 – MICRO-POINT-PULSE VALVE TYPE 3

SPARE PARTS

Item number	Order Code	Designation
5000xxxx	DPV-xx-xx-xx	Nozzles Pulse Valve
5000xxxx	VNP-xx-xx-xx-xx	Valve needle Pulse Valve
50007228		Valve needle lock without needle stroke sensor
50007229		Valve needle lock with needle stroke sensor
50010798		5/2-way magnetic Valve 24 [VDC]
50010801		Electrical connection line
50010800		Wearing parts kit ISOLAST
50010799		Wearing parts kit FKM

ACCESSORIES

Item number	Order Code	Designation
50008879	PS2-002-G18-A	Pressure sensor 2 [bar]
50008758	PS1-010-G18-A	Pressure sensor 10 [bar]
50008756	PS1-050-G18-A	Pressure sensor 50 [bar]
50008785		G1/8" Mounting system Pressure sensor
50007739	HZP-90-25W-06	Heating plate
50007828	HZP-ISO-06	Insulating plate
50007618		Centering sleeve (2x)
50008400	WLG-40-470-SOFT-500	WALTHER LOGIC Limit Value Module incl. software
50008752	WLVC-30-320-SOFT-323	WALTHER LOGIC Valve Control incl. software
50008746	WLVC-10-101-SOFT-101	WALTHER LOGIC Valve Control MINI incl. software
50007662	RKS-01	Cleaning kit for valves
50007773	WZS-03	Tool set for valve maintenance
50010418	SAVE-NV-03	SAVE Valve needle lock

TECHNICAL DATA

Dosing range	0,0004 to 1,8 [ml]
max. allowed material pressure	100 [bar]
Frequency max	200 [Hz]
Weight	440 [g]
Dimensions l x w x h	124 x 15 x 58 [mm]
Control air pressure	6 [bar]

Processing & Application / Pulsing / Valves

MPP-03 – MICRO-POINT-PULSE VALVE TYPE 3

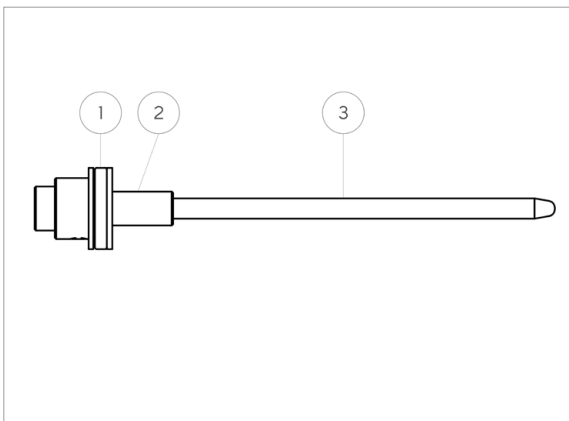
Processing & Application / Pulsing / Valve Needle

VALVE NEEDLE PULSE VALVE



USAGE

Spare Valve Needle for the Pulse Valve series MPP-01 and MPP-03. The employed valve nozzle (boring diameter) determines the selection of the valve needle.



CONSTRUCTION

- 1 O-Ring
- 2 Needle insert
- 3 Valve needle Pulse Valve

Processing & Application / Pulsing / Valve Needle

VALVE NEEDLE PULSE VALVE

ORDER CODE

(* STANDARD OPTIONS)

VNP	-		-		-		-		-		-		-		-		-		-		-	
1		2		3		4		5		6		7		8		9		10		11		

1	Designation	3	Nozzle form	5	Diameter range
	Valve Needle for Pulse Valves	00	Standard*	0300	0,3 [mm]*
2	Valve	4	Material	0500	0,5 [mm]*
01	for Valve MPP-01*	00	Standard*	0800	0,8 [mm]*
03	for Valve MPP-03*	01	carbide*	1000	1,0 [mm]
				1520	1,5 bis 2,0 [mm]
				0000	not relevant

STANDARD VARIANTS

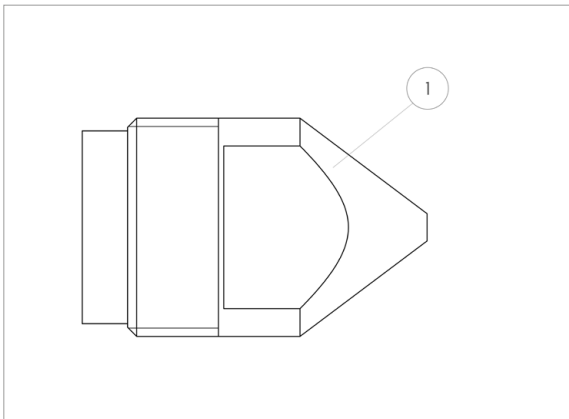
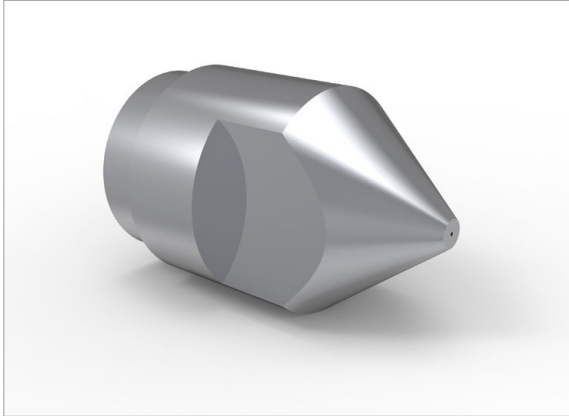
Item number	Order Code	Item number	Order Code
50010175	VNP-01-00-00-0000	50010237	VNP-03-00-01-0500
50010201	VNP-03-00-00-0000	50010242	VNP-03-00-01-0800
50010235	VNP-03-00-01-0300		

TECHNICAL DATA

Dimensions	Ø 11,8 x 77 [mm]
Weight	0,009 [kg]

Processing & Application / Pulsing / Nozzle

NOZZLE PULSE VALVE



USAGE

Spare Nozzles for the Pulse Valve series MPP-01 and MPP-03. The nozzles are available with different boring diameters. Please select a matching valve needle depending on the boring diameter.

CONSTRUCTION

1 Nozzle Pulse Valve

Processing & Application / Pulsing / Nozzle

NOZZLE PULSE VALVE

ORDER CODE

(* STANDARD OPTIONS)

DPV	-		-		-		-		-		-		-		-		-		-		-	
1		2		3		4		5		6		7		8		9		10		11		

1	Designation	2	Valve Type	4	Diameter
	Nozzle Pulse Valve	10	for Valve MPP-01 and MPP-03	02	0,2 [mm]
		3	Nozzle type	03	0,3 [mm]
		02	KLS-nozzle	04	0,4 [mm]
				05	0,5 [mm]
				08	0,8 [mm]
				10	1,0 [mm]

STANDARD VARIANTS

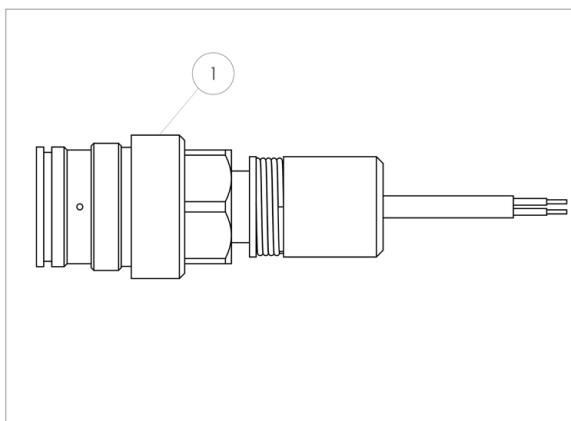
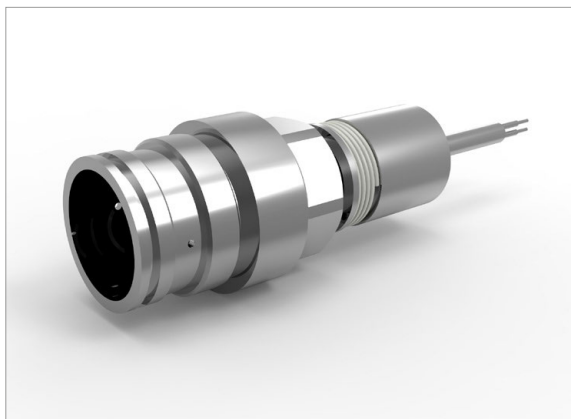
Item number	Order Code	Item number	Order Code
50010423	DPV-10-02-02	50010426	DPV-10-02-05
50010424	DPV-10-02-03	50010427	DPV-10-02-08
50010425	DPV-10-02-04	50010433	DPV-10-02-10

TECHNICAL DATA

Dimensions	Ø 12,0 x 19 [mm]
Weight	0,007 [kg]

Processing & Application / Pulsing / Needle Lock

VALVE NEEDLE LOCK PULSING



USAGE

The stroke of the valve needle will be set via the Valve Needle Lock when the valve is open. A step-mechanism provides for a precise and repeatable adjustment. As an option, the Valve Needle Lock can be equipped with an integrated sensor for controlling / monitoring the valve needle opening.

CONSTRUCTION

1 Valve needle lock

HIGHLIGHTS

- Option integrated sensor for monitoring the valve needle stroke
- expandable by a SAVE-NS for securing the needle stroke setting against unauthorized changes

YOUR BENEFITS

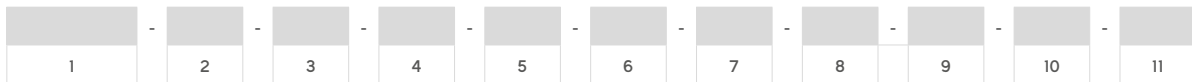
- Monitoring of the correct opening / closing of the valve
- precise and easy setting of the valve needle stroke

Processing & Application / Pulsing / Needle Lock

VALVE NEEDLE LOCK PULSING

ORDER CODE

(* STANDARD OPTIONS)



STANDARD VARIANTS

Item number	Order Code	Item number	Order Code
50007228	Valve needle lock MPP-01 / MPP-03 without needle stroke sensor	50007229	Valve needle lock MPP-01 / MPP-03 with needle stroke sensor

TECHNICAL DATA

Dimensions	Ø 15 x 45 [mm]
Weight	0,06 [kg]
Sensor operating voltage	24 [VDC]

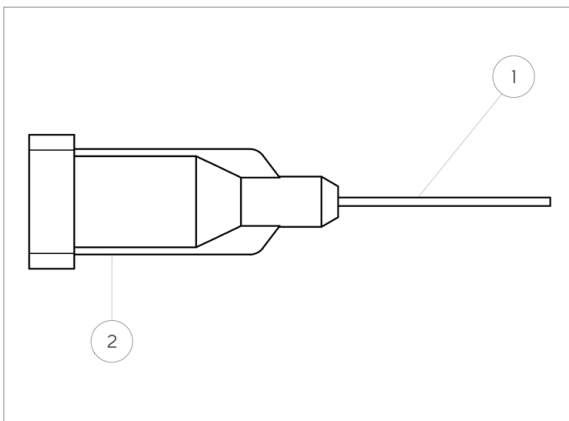
Processing & Application / Accessories / Dosing Tips & Adapters

DOSING TIP DS



USAGE

The WALTHER Dosing Tip consists of a stainless-steel cannula with a polypropylene body and a double-helix thread for a safe fixing of the dosing tip in a Luer-Lock adapter.



CONSTRUCTION

- 1 Dosing tip
- 2 Luer-Lock adapter

HIGHLIGHTS

- Electropolished cannula provides an unobstructed material flow
- free from silicone and chloride
- free from casting flash

YOUR BENEFITS

- point-by-point and precise application of the medium

DOSING TIP DS

ORDER CODE

(* STANDARD OPTIONS)

Dosing Tip	-		-		-		-		-		-		-		-		-		-	
1		2		3		4		5		6		7		8		9		10		11

1	Designation	2	Diameter	3	Length	4	VPE
	Dosing Tip model DS	14	14 [Gauge]	014	1/4" / 6,35 [mm]	01	1 [each]
		15	15 [Gauge]	012	1/2" / 12,7 [mm]	02	50 [each]
		18	18 [Gauge]	100	1" / 25,4 [mm]		
		20	20 [Gauge]	112	1 1/2" / 38,1 [mm]		
		21	21 [Gauge]				
		22	22 [Gauge]				
		23	23 [Gauge]				
		25	25 [Gauge]				
		27	27 [Gauge]				
		30	30 [Gauge]				
		32	32 [Gauge]				

STANDARD VARIANTS

Item number	Order Code	Item number	Order Code
5000329	DS-23-012-01	5000720	DS-22-014-01
50007611	DS-14-012-01	50007722	DS-22-100-01
50007623	DS-14-100-01	50007725	DS-22-112-01
50007627	DS-14-112-01	50007731	DS-23-014-01
50007631	DS-15-012-01	50007733	DS-23-100-01
50007635	DS-15-100-01	50007736	DS-23-112-01
50007636	DS-15-112-01	50007738	DS-25-012-01
50007638	DS-18-012-01	50007741	DS-25-014-01
50007646	DS-18-014-01	50007745	DS-27-012-01
50007650	DS-18-100-01	50007746	DS-27-014-01
50007652	DS-18-112-01	50007747	DS-30-012-01
50007655	DS-20-012-01	50007748	DS-30-014-01
50007675	DS-20-014-01	50007750	DS-32-014-01
50007676	DS-20-100-01	50007798	DS-23-012-02
50007679	DS-20-112-01	50007831	DS-14-012-02
50007687	DS-21-012-01	50007833	DS-14-100-02
50007690	DS-21-014-01	50007834	DS-14-112-02
50007694	DS-21-100-01	50007837	DS-15-012-02
50007718	DS-21-112-01	50007842	DS-15-100-02
50007719	DS-22-012-01	50007843	DS-15-112-02

Processing & Application / Accessories / Dosing Tips & Adapters

DOSING TIP DS

Item number	Order Code	Item number	Order Code
50007844	DS-18-012-02	50007888	DS-22-014-02
50007849	DS-18-014-02	50007889	DS-22-100-02
50007854	DS-18-100-02	50007891	DS-22-112-02
50007856	DS-18-112-02	50007893	DS-23-014-02
50007861	DS-20-012-02	50007894	DS-23-100-02
50007867	DS-20-014-02	50007895	DS-23-112-02
50007872	DS-20-100-02	50007896	DS-25-012-02
50007874	DS-20-112-02	50007897	DS-25-014-02
50007875	DS-21-012-02	50007898	DS-27-012-02
50007876	DS-21-014-02	50007899	DS-27-014-02
50007877	DS-21-100-02	50007900	DS-30-012-02
50007885	DS-21-112-02	50007901	DS-30-014-02
50007887	DS-22-012-02	50007902	DS-32-014-02

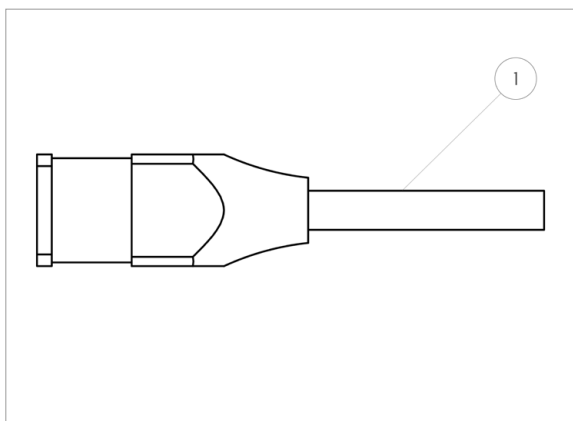
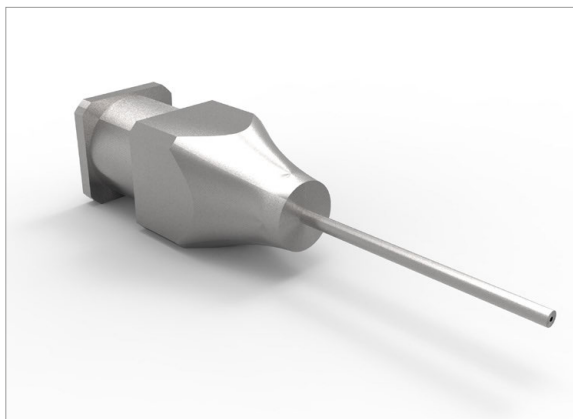
TECHNICAL DATA

Packing unit	1 or 50
Length	6,35 to 38,1 [mm]
Inner diameter	0,10 to 1,60 [mm]

DOSING TIP DS

Processing & Application / Accessories / Dosing Tips & Adapters

DOSING TIP DE



HIGHLIGHTS

- electropolished cannula provides an unobstructed material flow
- free from silicone and chloride
- free from casting flash

USAGE

The Dosing Needles of series DE are made from stainless steel with a chromed brass core. The dosing needles are suitable for fastening in a Luer-Lock adapter. As they come with high tolerances for size accuracy, they are well suitable for use in automated systems.

CONSTRUCTION

- 1 Dosing tip

YOUR BENEFITS

- point-by-point and precise application of the medium

DOSING TIP DE

ORDER CODE

(* STANDARD OPTIONS)

Dosing Tip	-		-		-		-		-		-		-		-		-		-		-	
1		2		3		4		5		6		7		8		9		10		11		

1	Designation	2	Diameter	3	Length
	Dosing Tip model DE	14	14 [Gauge]	012	1/2" / 12,7 [mm]
		15	15 [Gauge]		
		15	16 [Gauge]		
		17	17 [Gauge]		
		18	18 [Gauge]		
		19	19 [Gauge]		
		20	20 [Gauge]		
		21	21 [Gauge]		
		22	22 [Gauge]		
		23	23 [Gauge]		
		25	25 [Gauge]		
		26	26 [Gauge]		
		27	27 [Gauge]		
		28	28 [Gauge]		
				4	VPE
				01	1 [each]

STANDARD VARIANTS

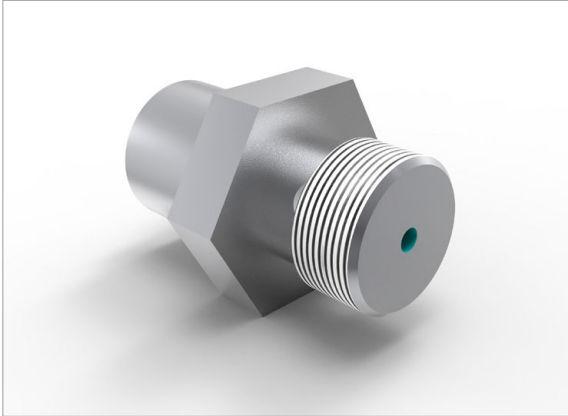
Item number	Order Code	Item number	Order Code
50007577	DE-14-012-01	50007584	DE-21-012-01
50007578	DE-15-012-01	50007585	DE-22-012-01
50007579	DE-16-012-01	50007586	DE-23-012-01
50007580	DE-17-012-01	50007587	DE-25-012-01
50007581	DE-18-012-01	50007588	DE-26-012-01
50007582	DE-19-012-01	50007589	DE-27-012-01
50007583	DE-20-012-01	50007590	DE-28-012-01

TECHNICAL DATA

Packing unit	1
Length	12,7 [mm]
Inner diameter	0,17 to 1,58 [mm]

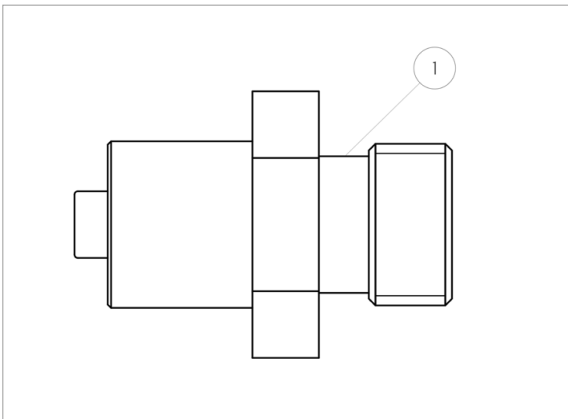
Processing & Application / Accessories / Dosing Tips & Adapters

LUER-LOCK-ADAPTER



USAGE

The Luer-Lock Adapter can be mounted on different process valves instead of a valve nozzle. With this adapter, you can install dosing needles at the valve outlets on the series DS and DE.



CONSTRUCTION

1 Luer-Lock adapter

YOUR BENEFITS

- Use of Dosing Needles series DS and DE for the Process Valves

Processing & Application / Accessories / Dosing Tips & Adapters

LUER-LOCK-ADAPTER

ORDER CODE

(* STANDARD OPTIONS)

LLA	-		-		-		-		-		-		-		-		-		-	
1		2		3		4		5		6		7		8		9		10		11

1	Designation	2	Connection
	Luer-Lock-Adapter	M6	M6*
		1/8	G1/8*

STANDARD VARIANTS

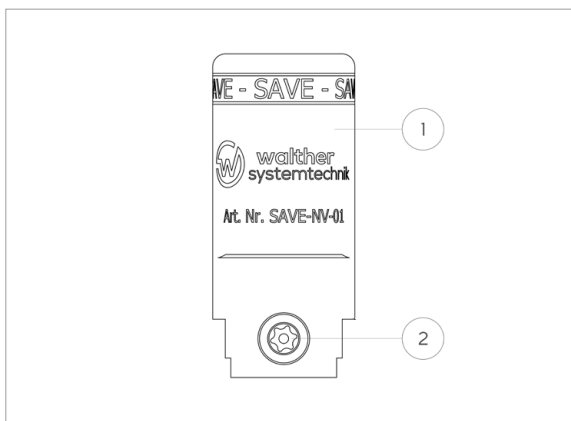
Item number	Order Code	Item number	Order Code
50004892	LLA-1/8	50007907	LLA-M6

TECHNICAL DATA

Dimensions (LLA-1/8)	Ø 13 x 22,7 [mm] – SW14
Dimensions (LLA-M6)	Ø 10 x 16,5 [mm]
Weight (LLA-1/8)	10 [g]
Weight (LLA-M6)	4 [g]

Processing & Application / Accessories / SAVE Needle Lock

SAVE NEEDLE LOCK



HIGHLIGHTS

- Smallest dimensions
- easy and fast mounting
- low weight

USAGE

The SAVE is used for securing the Valve Needle Lock to avoid an unauthorized resetting of the regulating screw which adjusts the valve needle stroke for process valves (spray / pulse / full-jet valves).

CONSTRUCTION

- 1 SAVE needle lock
- 2 Fastening screw

YOUR BENEFITS

- Securing the settings of the valve needle lock against unauthorized access
- Safeguarding the process safety and capability

SAVE NEEDLE LOCK

ORDER CODE

(* STANDARD OPTIONS)

SAVE-NV	-		-		-		-		-		-		-		-		-		-	
1		2		3		4		5		6		7		8		9		10		11

1	Designation	2	Type
	SAVE Valve Needle Lock	01	for Valve SMS-02, SMS-20, SMS-22*
		02	for Valve VMS-02, MPP-01*
		03	for Valve MPP-03*

STANDARD VARIANTS

Item number	Order Code	Item number	Order Code
50010323	SAVE-NV-01	50010418	SAVE-NV-02
50010324	SAVE-NV-02		

ACCESSORIES

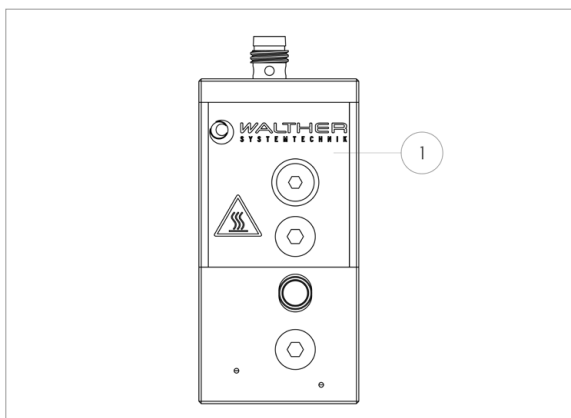
Item number	Order Code	Designation
50010421		Spare locking screw

TECHNICAL DATA

Dimensions l x w x h	50 x 20 x 30 [mm]
Weight	60 [g]

Processing & Application / Accessories / Heating & Insulation

HEATING PLATE



HIGHLIGHTS

- Integrated temperature sensor protects against damages from overheating
- signals for heating process through integrated LED
- integrated PT100 Temperature Sensor

USAGE

Heating Plates (HZP) will be directly mounted on the individual application valves and provide for an even temperature controlling of the valves and the applied medium. As an option, you can order matching insulating plates with which you can thermally decouple valves as well as heating plates from the adjacent components.

CONSTRUCTION

- 1 Heating plate

YOUR BENEFITS

- The constant temperature control is independent of ambient influences; thereby, it increases the application and process safety for highly viscous media.

Processing & Application / Accessories / Heating & Insulation

HEATING PLATE

ORDER CODE

(* STANDARD OPTIONS)

HZP	-		-		-		-		-		-	
1		2		3		4		5		6		7

1	Designation	3	Electric connection line	4	Type
	Heating Plate	25W	25 [W]*	01	for Valve SMS-02, SMS-20 and SMS-22*
2	Maximum Temperature			04	for Valve SMS-04*
90	90 [°C]*			05	for Valve WDV-200 and WDV-600*
				06	for Valve MPP-03*
				07	for Valve MPP-01 and VMS-01*

STANDARD VARIANTS

Item number	Order Code	Item number	Order Code
50007634	HZP-90-25W-01	50007739	HZP-90-25W-06
50007714	HZP-90-25W-04	50007751	HZP-90-25W-07
50007721	HZP-90-25W-05		

ACCESSORIES

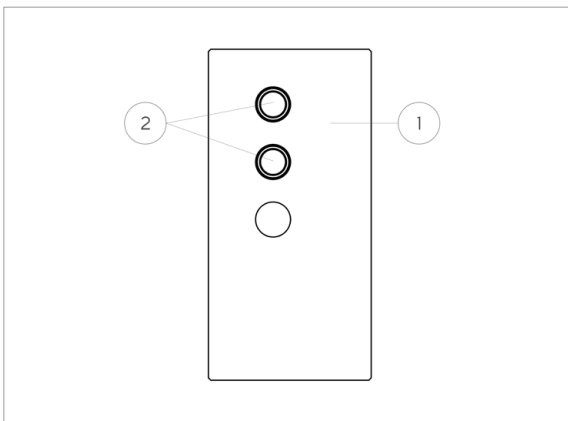
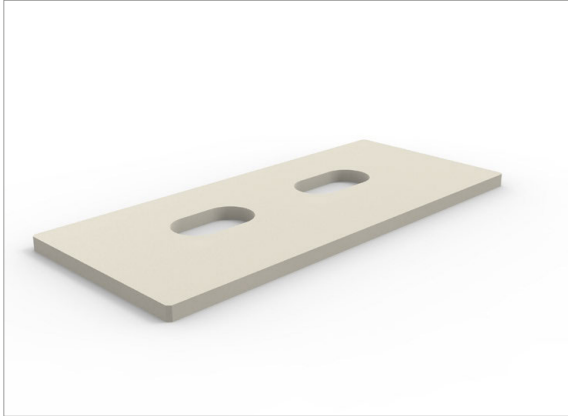
Item number	Order Code	Designation
50007726		Slot stone (1x)
50007618		Centering sleeve (2x)
50000847	WZK-04U01-M08FA-OEOE-020	Connecting line M8 / angled / 2 [m]
50000846	WZK-04U01-M08FA-OEOE-050	Connecting line M8 / angled / 5 [m]
50000845	WZK-04U01-M08FA-OEOE-100	Connecting line M8 / angled / 10 [m]
50000843	WZK-04U01-M08FS-OEOE-020	Connecting line M8 / straight / 2 [m]
50000842	WZK-04U01-M08FS-OEOE-050	Connecting line M8 / straight / 5 [m]
50000841	WZK-04U01-M08FS-OEOE-100	Connecting line M8 / straight / 10 [m]

TECHNICAL DATA

Operating voltage	24 [VDC]
Power consumption	1,04 [A]
Electric connection	M8 4-Pin Maximum temperature 90 [°C]
Weight	0,188 [kg]

Processing & Application / Accessories / Heating & Insulation

INSULATING PLATE



USAGE

Insulating Plates are used for insulation between the heating plate on the valve and the surrounding components. With this, you can reach the desired operating temperature faster and will protect adjacent components against undesired warming.

CONSTRUCTION

- 1 Insulating plate
- 2 Centering boring

HIGHLIGHTS

- Custom-fit variants available for the different types of valves and heating plates
- material with extremely low thermal conductivity
- low weight

YOUR BENEFITS

- Fast reaching of desired operating temperature
- shielding against ambient influences
- protects adjacent components from heat

INSULATING PLATE

ORDER CODE

(* STANDARD OPTIONS)

HZP-ISO	-		-		-		-		-		-		-		-		-		-	
1		2		3		4		5		6		7		8		9		10		11

1	Designation	2	Type
	Insulating Plate	01	for Valve SMS-02, SMS-20 and SMS-22*
		04	for Valve SMS-04*
		06	for Valve MPP-03*
		07	for Valve MPP-01, VMS-02*

STANDARD VARIANTS

Item number	Order Code	Item number	Order Code
50007804	HZP-ISO-01	50007828	HZP-ISO-06
50007822	HZP-ISO-04	50007835	HZP-ISO-07

ACCESSORIES

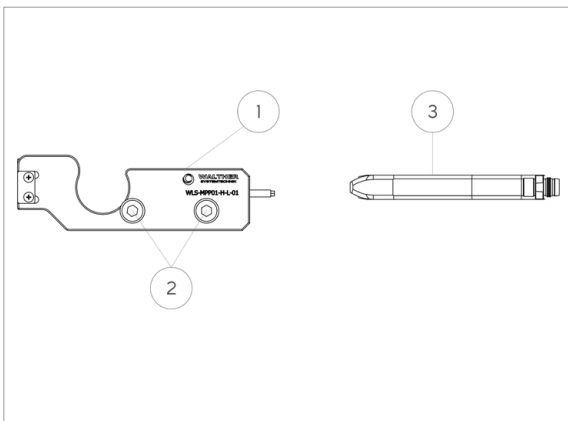
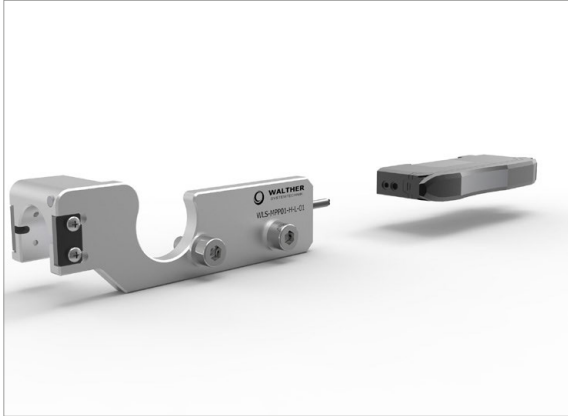
Item number	Order Code	Designation
50007810	HZP-ISO-01E002	Centering sleeve (long)

TECHNICAL DATA

Weight	< 0,015 [kg]
--------	--------------

Processing & Application / Accessories / Light Barrier

LIGHT BARRIER



HIGHLIGHTS

- Suitable for pulse frequencies up to 300 [Hz]
- detection of smallest medium quantities when leaving the valve nozzle
- easy and intuitive installation and start of operation
- contamination compensation

USAGE

The Walther Light Barriers (WLS) significantly increase process safety for pulsing applications of viscous media. The Light Barriers Type WLS are available for all Pulse Valves Type MPP and will be directly attached to the nozzle outlet. When a medium dot leaves the nozzle outlet, the light beam of the Walther Light Barrier will be interrupted. The connected evaluation unit detects the resulting drop in light intensity, evaluates and provides the information on a successful discharge of a medium dot in the form of an electrical signal.

CONSTRUCTION

- 1 Light barrier
- 2 Centering hollow
- 3 Fiberoptic sensor repeater

YOUR BENEFITS

- Safeguarding the process capability and increase of OEE

Processing & Application / Accessories / Light Barrier

LIGHT BARRIER

ORDER CODE

(* STANDARD OPTIONS)

WLS	-		-		-		-		-		-	
1		2		3		4		5		6		7

1	Designation	3	Orientation optical axis	5	Index
	Light Barrier	H	horizontal*	01	Index 01
2	Type	4	Mounting side		
01	for Valve MPP-01*	L	left valve side*		
03	or Valve MPP-03*	R	right valve side*		
		LR	left and right valve side*		

STANDARD VARIANTS

Item number	Order Code	Item number	Order Code
50010246	WLS-MPP01-H-L-01	50010261	WLS-MPP01-V-R-01
50010253	WLS-MPP01-H-R-01	50010263	WLS-MPP03-H-LR-01
50010258	WLS-MPP01-V-L-01	50010266	WLS-MPP03-V-LR-01

ACCESSORIES

Item number	Order Code	Designation
50010243		Evaluation unit (sensor repeater)
50007618		Centering sleeve (2 Stück)
50000847	WZK-04U01-M08FA-OEOE-020	Connecting line M8 / angled / 2 [m]
50000846	WZK-04U01-M08FA-OEOE-050	Connecting line M8 / angled / 5 [m]
50000845	WZK-04U01-M08FA-OEOE-100	Connecting line M8 / angled / 10 [m]
50000843	WZK-04U01-M08FS-OEOE-020	Connecting line M8 / straight / 2 [m]
50000842	WZK-04U01-M08FS-OEOE-050	Connecting line M8 / straight / 5 [m]
50000841	WZK-04U01-M08FS-OEOE-100	Connecting line M8 / straight / 10 [m]

Processing & Application / Accessories / Light Barrier

LIGHT BARRIER

TECHNICAL DATA

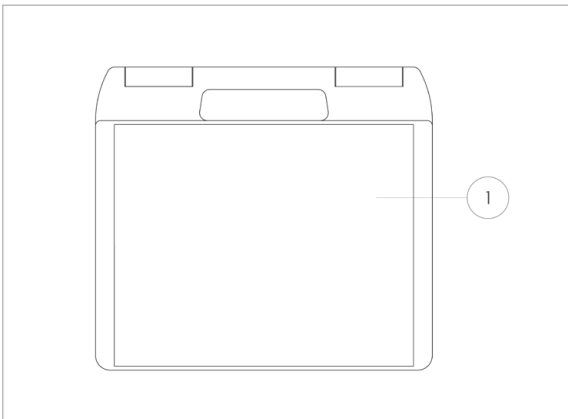
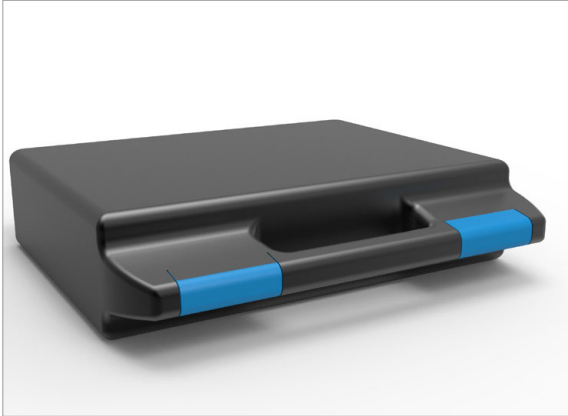
Dimensions l x w x h (WLS-MPP03-V-LR-01)	91,5 x 35 x 20 [mm]
Dimensions l x w x h (WLS-MPP03-H-LR-01)	91,5 x 35 x 25 [mm]
Dimensions l x w x h (WLS-MPP01-H-L-01)	94 x 30,5 x 25 [mm]
Dimensions l x w x h (WLS-MPP01-V-L-01)	94 x 28,5 x 20 [mm]
Dimensions l x w x h (WLS-MPP01-H-R-01)	94 x 30,5 x 25 [mm]
Dimensions l x w x h (WLS-MPP01-V-R-01)	94 x 28,5 x 20 [mm]
Weight (WLS-MPP03-V-LR-01)	0,036 [kg]
Weight (WLS-MPP03-H-LR-01)	0,038 [kg]
Weight (WLS-MPP01-H-L-01)	0,036 [kg]
Weight (WLS-MPP01-V-L-01)	0,034 [kg]
Weight (WLS-MPP01-H-R-01)	0,036 [kg]
Weight (WLS-MPP01-V-R-01)	0,034 [kg]

Processing & Application / Accessories / Light Barrier

LIGHT BARRIER

Processing & Application / Accessories / Tools & Cleaning

TOOL SET



USAGE

The Tool Set will be used for dismounting and servicing spray, pulse and dosing valves.

CONSTRUCTION

1 Tool set

YOUR BENEFITS

- Custom-fit tool set for maintenance and repair of valve technology

Processing & Application / Accessories / Tools & Cleaning

TOOL SET

ORDER CODE

(* STANDARD OPTIONS)

WZS	-		-		-		-		-		-		-		-		-		-		-	
1		2		3		4		5		6		7		8		9		10		11		

1	Designation	2	Type
	Tool Set	01	for Valve WDV
		03	for Valve SMS-02, SMS-04, SMS-20, SMS-22, MPP-01, MPP-03 and VMS-02

STANDARD VARIANTS

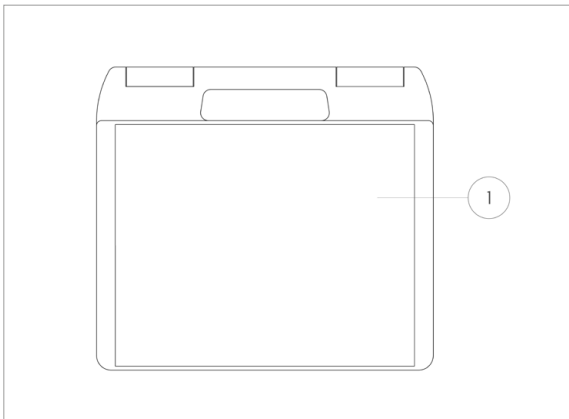
Item number	Order Code	Item number	Order Code
50007905	WZS-01	50007773	WZS-03

TECHNICAL DATA

Dimensions l x w x h (WZS-01)	346 x 313 x 86 [mm]
Dimensions l x w x h (WZS-03)	450 x 383 x 86 [mm]
Weight (WZS-01)	1,60 [kg]
Weight (WZS-03)	3,01 [kg]

Processing & Application / Accessories / Tools & Cleaning

CLEANING KIT



USAGE

With the Cleaning Kit, you can professionally clean spray, pulse and dosing valves. The cleaning kit helps you remove cloggings and clean the valves.

CONSTRUCTION

- 1 Cleaning kit

YOUR BENEFITS

- Custom-fit tools, cleaning agents and special lubricant for valves

Processing & Application / Accessories / Tools & Cleaning

CLEANING KIT

ORDER CODE

(* STANDARD OPTIONS)

RKS	-		-		-		-		-		-		-		-		-		-		-	
1		2		3		4		5		6		7		8		9		10		11		

1	Designation	2	Type
	Cleaning Kit	01	for all valves

STANDARD VARIANTS

Item number	Order Code
50007662	RKS-01

TECHNICAL DATA

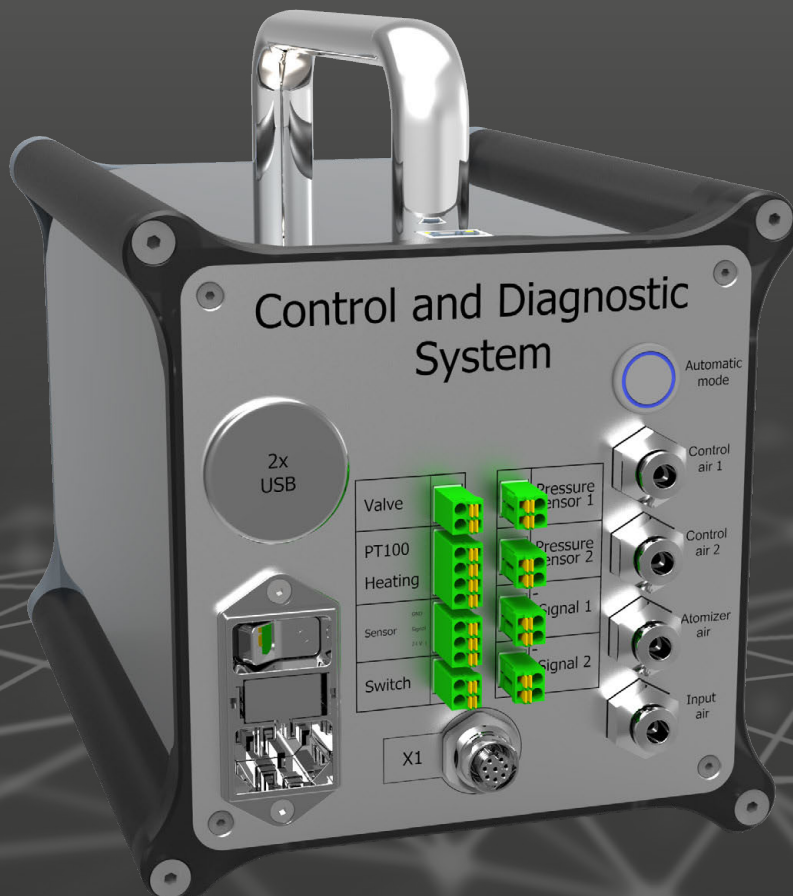
Dimensions l x w x h	180 x 95 x 65 [mm]
Weight	0,44 [kg]

MULTI-FUNCTIONAL AND HIGHLY CONNECTIVE

YOUR INDISPENSABLE UNIT FOR MAINTENANCE, SERVICE,
START OF OPERATION & PARAMETER STUDIES: WSDS-230

The WSDS-230 Controlling and Diagnosis System combines interfaces and helpful features in order to control individual components of your dosing systems and to check, evaluate and even optimize the operational function based upon recorded process data. Collect the values for spray, dosing or pulse valves, valve heating, sensors like the PT100 Temperature Sensor, the WLS Light Barrier, pressure sensors with analog out-

let – or general digital. As a controlling and diagnosing unit, the WSDS-230 comes with electric, electropneumatic and pneumatic interfaces for direct accessing, controlling and monitoring of the compressed air, atomizer air, valves, sensors and heating plates. A computer is used for visualizing and parametering the process parameters via an integrated network connection; or via tablet or Smartphone (WIFI extension optional).



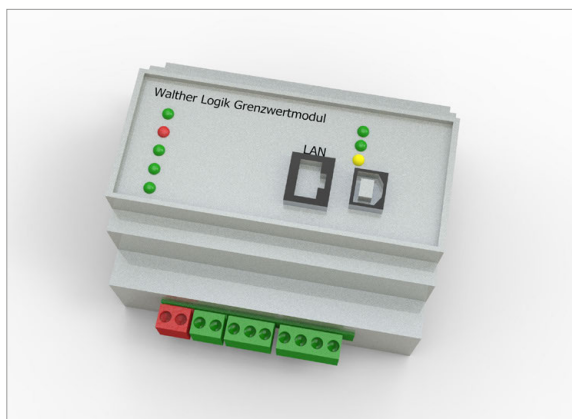
**WSDS-230:
MOBILE
CONTROLLING AND
DIAGNOSING UNIT**

More information upon request

INSTRUMENTATION AND CONTROL

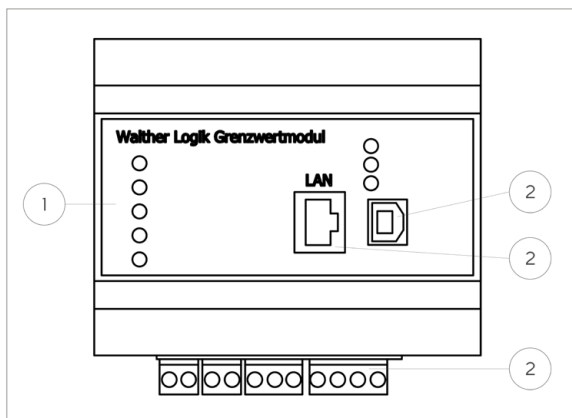
Instrumentation & Control / Controlling & Monitoring System

WALTHER LOGIC – LIMIT VALUE MODULE



USAGE

The WALTHER-LOGIC Limit Value Module is used for a qualitative evaluation of pressure signals from different process valves (pulse/spray or dosing valves) and determining possible deviations from the target process. The pressure signal is detected by an optional pressure sensor (attached to the process valve), then received by the Limit Value Module and evaluated for parameters which describe the target process. If deviations from the target process are noted due to pressure fluctuations, cloggings or air bubbles, respective interfaces at the alarm outlets will indicate a signal. For parametering of the device, you will use a configuration software. It can also be used for analysing the process in realtime and for recording characteristic pressure curves for later evaluation.



CONSTRUCTION

- 1 optic interfaces
- 2 electrical interfaces

HIGHLIGHTS

- Graphic display of configuration software enables an intuitive parametering and start of operation
- . 64 freely programmable parameter sets
- digital inlets and outlets for connecting to superordinate control units

YOUR BENEFITS

- Qualitative process control increases the process capability and OEE
- detection of process-threatening air inclusion in fluid flow
- evaluation / monitoring of valve needle stroke (optional sensor required)

WALTHER LOGIC – LIMIT VALUE MODULE

ORDER CODE

(* STANDARD OPTIONS)

WLG	-		-		-		-		-		-		-		-		-		-		-	
1		2		3		4		5		6		7		8		9		10		11		

1	Designation WALTHER LOGIC Limit Value Module	2	Hardware version 40 Version 4.0	4	Software SOFT Software attached
		3	Firmware version 470 Version 4.7.0	5	Software version 500 Version 5.0.0

STANDARD VARIANTS

Item number	Order Code
50008400	WLG-40-470-SOFT-500

SPARE PARTS

Item number	Order Code	Designation
50008768	WLG-40-470	WALTHER LOGIC Limit Value Module
50008401	SOFT-WLG-500-U	Software WLG

ACCESSORIES

Item number	Order Code	Designation
-------------	------------	-------------

TECHNICAL DATA

Dimensions l x w x h	105 x 86 x 58 [mm]
Weight	0,3 [kg]
Operating voltage	24 [VDC]

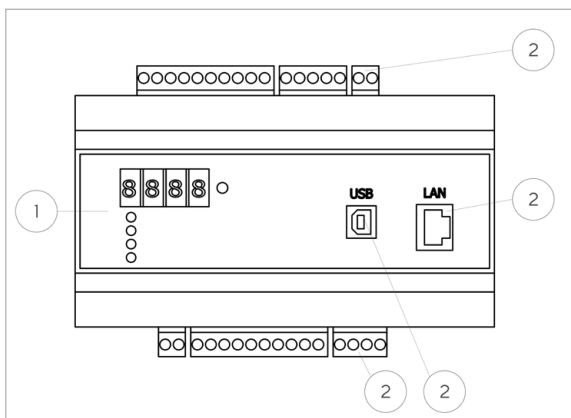
Instrumentation & Control / Controlling & Monitoring System

WALTHER LOGIC – VALVE CONTROL



USAGE

The WALTHER LOGIC Valve Control can be used for controlling the electro-pneumatic and electrically controlled spray, dosing and pulse valves of Walther Systemtechnik GmbH. The Valve Control has the option of defining parameter sets for up to four valves where the individual valve performance will be described through the attached configuration software. You can use the superordinate control unit or the available digital E/A's for selecting the current parameter set. Also, the Valve Control allows the operation of up to four heating plates which can be optionally used with the employed process valves.



CONSTRUCTION

- 1 optic interfaces
- 2 electrical interfaces

HIGHLIGHTS

- Control/operation of up to 4 process valves
- control/operation of up to 4 heating plates for process valves
- realization of very fast controlling and valve opening times (from 100 [µsec])
- storage space for 64 parameter sets with the configuration of up to four process valves each
- Peak-and-Hold control possible
- interfaces for superordinate control unit

YOUR BENEFITS

- Autarchic valve control does not require a superordinate control unit for operation
- parameter set from external signal generators can be selected
- realising very fast valve switching times without special SPS/PLC hardware
- integrated temperature controller

Instrumentation & Control / Controlling & Monitoring System

WALTHER LOGIC – VALVE CONTROL

ORDER CODE

(* STANDARD OPTIONS)

WLVC	-		-		-		-		-		-		-		-		-		-	
1		2		3		4		5		6		7		8		9		10		11

1	Designation WALTHER LOGIC Valve Control	2	Hardware version 30 Version 3.0	4	Software SOFT Software attached
		3	Firmware version 320 Version 3.2.0	5	Software version 323 Version 3.2.3

STANDARD VARIANTS

Item number	Order Code
50008752	WLVC-30-320-SOFT-323

SPARE PARTS

Item number	Order Code	Designation
50008749	WLVC-30-320	WALTHER LOGIC Valve Control
50008751	SOFT-WLVC-323-U	SOFTWARE WLVC

ACCESSORIES

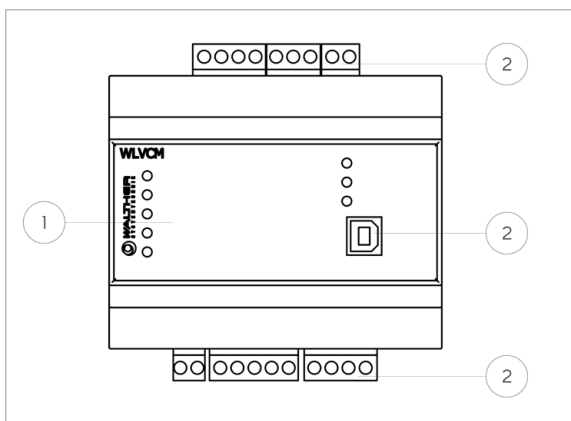
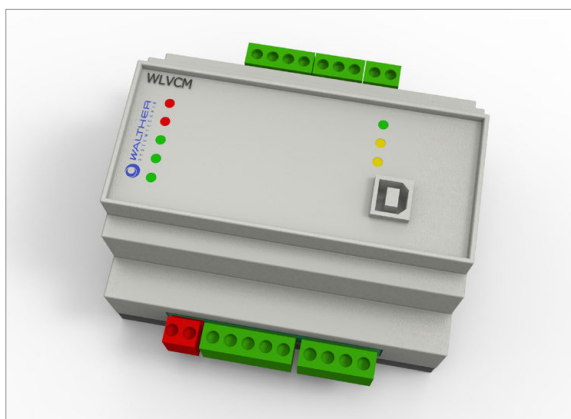
Item number	Order Code	Designation
-------------	------------	-------------

TECHNICAL DATA

Dimensions l x w x h	156 x 85 x 65 [mm]
Weight	0,395 [kg]
Operating voltage	24 [VDC]

Instrumentation & Control / Controlling & Monitoring System

WALTHER LOGIC – VALVE CONTROL MINI



HIGHLIGHTS

- Control/operation of one process valve
- control/operation of one heating plate for one process valve
- realization of very fast controlling and valve opening times (from 100 [μ sec])
- storage space for 4 parameter sets
- interface to superordinate control unit

USAGE

The WALTHER LOGIC Valve Control MINI is used for controlling electro-pneumatic and electrically controlled spray, dosing and pulse valves of Walther Systemtechnik GmbH. The Valve Control has the option of defining parameter sets for one valve where the individual valve performance will be described through the attached configuration software. You can use the superordinate control unit or the available digital E/As for selecting the current parameter set. Also, the Valve Control allows the operation of one heating plate which can be optionally used with the employed process valve.

CONSTRUCTION

- 1 optic interfaces
- 2 electrical interfaces

YOUR BENEFITS

- Autarchic valve control does not require a superordinate control unit for operation
- parameter set from external signal generators can be selected
- realising very fast valve switching times without special SPS/PLC hardware
- integrated temperature controller

Instrumentation & Control / Controlling & Monitoring System

WALTHER LOGIC – VALVE CONTROL MINI

ORDER CODE

(* STANDARD OPTIONS)

WLVCM	-		-		-		-		-		-		-		-		-		-	
1		2		3		4		5		6		7		8		9		10		11

1	Designation WALTHER LOGIC Valve Control MINI	2	Hardware version 10 Version 1.0	4	Software SOFT Software attached
		3	Firmware version 101 Version .1.0.1	5	Software version 101 Version 1.0.1

STANDARD VARIANTS

Item number	Order Code
50008746	WLVCM-10-101-SOFT-101

SPARE PARTS

Item number	Order Code	Designation
50008747	WLVCM-10-101	WALTHER LOGIC Valve Control MINI
50008745	SOFT-WLVCM-101-U	Software WLVCM

TECHNICAL DATA

Dimensions l x w x h	105 x 86 x 58 [mm]
Weight	0,090 [kg]
Operating voltage	24 [VDC]

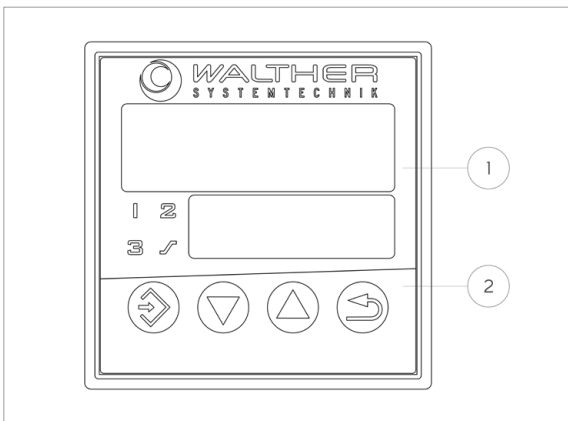
Instrumentation & Control / Controlling & Monitoring System

TEMPERATURE CONTROLLER BUNDLE



USAGE

The Walther Temperature Controller Bundles (WTRB) are available for operating all heating plates and heating hoses of Walther Systemtechnik. The employed heating technology product determines the suitable Temperature Controller Bundle.



CONSTRUCTION

- 1 Temperature control unit
- 2 matching solid state relays in different power classes

HIGHLIGHTS

- Fast heating times
- intuitive and easy operation
- two freely configurable alarm outlets

YOUR BENEFITS

- Components are matching the heating products of Walther Systemtechnik GmbH
- direct operation of Walther heating products without superordinate control unit
- pre-parametering for direct use

TEMPERATURE CONTROLLER BUNDLE

ORDER CODE

(* STANDARD OPTIONS)

WTRB	-		-		-		-		-		-		-		-		-		-		-	
1		2		3		4		5		6		7		8		9		10		11		

1	Designation	2	Operating Voltage	3	Nominal current
	Temperature Controller	230AC	230 [VAC]	3500	3500 [mA]
	Bundle	24DC	24 [VDC]	6000	6000 [mA]
				12000	12000 [mA]

STANDARD VARIANTS

Item number	Order Code	Item number	Order Code
50002674	WTRB-24DC-3500	50002676	WTRB-24DC-12000
50002675	WTRB-24DC-6000	50002677	WTRB-230AC-6000

SPARE PARTS

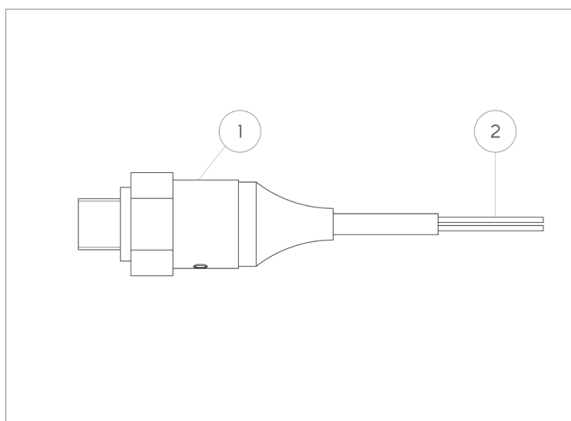
Item number	Order Code	Designation
50002666	WSSR-24DC-3500	Solid State Relays 24 [VDC] 3500 [mA]
50002669	WSSR-24DC-6000	Solid State Relays 24 [VDC] 6000 [mA]
50002670	WSSR-24DC-12000	Solid State Relays 24 [VDC] 12000 [mA]
50002671	WSSR-230AC-6000	Solid State Relays 230 [VAC] 6000 [mA]
50002719	WTR-24DC	Temperature controller 24 [VDC]
50002724	WTR-230AC	Temperature controller 230 [VAC]

TECHNICAL DATA

Operating voltage	24 [VDC] / 230 [VAC]
Sensor inlet	Pt100 2/3-wire
Number of alarm outlets	2 NO switches

Instrumentation & Control / Pressure Sensors

PRESSURE SENSOR SERIES 1



HIGHLIGHTS

- For pressure control of pressures up to 400 [bar]
- used for low-viscous media
- delivered with a cast-on cable (2000 mm)
- due to its high insulating voltage of 300 [VDC], very robust against environmental influences
- tight overall error band
- high media compatibility

USAGE

Pressure Sensor for monitoring process-relevant pressure, e.g. valve or pump pressures. In connection with the WALTHER-LOGIC Limit Value Module, these processes can be indicated in reference to deviations from the settings, monitoring changes and will show any quitting of the process window.

CONSTRUCTION

- 1 Pressure sensor
- 2 Connecting cable

YOUR BENEFITS

- Increase of process capability by combining the pressure sensor with the WALTHER-LOGIC Limit Value Module

PRESSURE SENSOR SERIES 1

ORDER CODE

(* STANDARD OPTIONS)

PS1	-		-		-		-		-		-		-		-		-		-	
1		2		3		4		5		6		7		8		9		10		11

1	Designation	2	Upper limit measuring ange	3	Process connection	4	Electrical outlet
	Pressure Sensor Series 1	005	5 [bar]	G18	1/8"α	A	4 to 20 [mA]*
		010	10 [bar]*	G14	1/4"α	V	0 to 10 [V]
		025	25 [bar]				
		050	50 [bar]*				
		100	100 [bar]				
		160	160 [bar]				
		250	250 [bar]*				
		400	400 [bar]				

STANDARD VARIANTS

Item number	Order Code	Item number	Order Code
50008758	PS1-010-G18-A	50002782	PS1-250-G14-V
50008756	PS1-050-G18-A		

ACCESSORIES

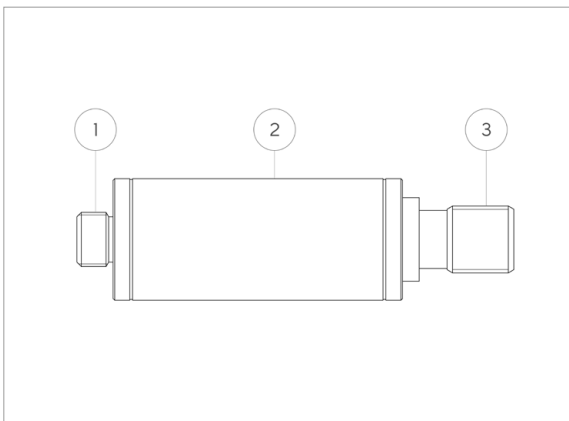
Item number	Order Code	Designation
50008785		G1/8" Mounting system for valves
50008799		G1/8" Sealing ring

TECHNICAL DATA

Supply voltage	24 [VDC]
Signal outlet	4 to 20 [mA]
Dimensions (G18)	∅ 17 x 45 [mm] – SW17
Dimensions (G14)	∅ 17 x 45 [mm] – SW19
Weight	0,05 [kg]
Electric interface	cable open end 2000 [mm]
Temperature range	-40 to 100 [°C]

Instrumentation & Control / Pressure Sensors

PRESSURE SENSOR SERIES 2



USAGE

Pressure Sensor for monitoring low, process-relevant pressures, e.g. as there are in valves during a spraying application. In connection with the WALTHER-LOGIC Limit Value Module, these processes can be indicated in reference to deviations from the settings, monitoring changes and will show any quitting of the process window.

CONSTRUCTION

- 1 Pressure sensor
- 2 Electric connecting plug M12

HIGHLIGHTS

- Delivery with connecting cable
- tight overall error band

YOUR BENEFITS

- Increase of process capability by combining the pressure sensor with the WALTHER-LOGIC Limit Value Module

PRESSURE SENSOR SERIES 2

ORDER CODE

(* STANDARD OPTIONS)

PS2	-		-		-		-		-		-		-		-		-		-	
1		2		3		4		5		6		7		8		9		10		11

1	Designation	3	Process connection	4	Electrical outlet
	Pressure Sensor Series 2	G18	G1/8" a	A	4 to 20 [mA]
				V	0 to 10 [V]
2	Upper limit measuring ange				
002	2 [bar]				

STANDARD VARIANTS

Item number	Order Code
50008879	PS2-002-G18-A

SPARE PARTS

Item number	Order Code	Designation
50008880		Connecting cable, 2000 mm long (ZK000101-2)

TECHNICAL DATA

Operating voltage	24 [VDC]
Signal outlet	4 to 20 [mA]
Dimensions	Ø 22 x 65 [mm]
Weight	0,075 [kg]
Electric interface	M12 round plug-in connector
Process connection	G1/8

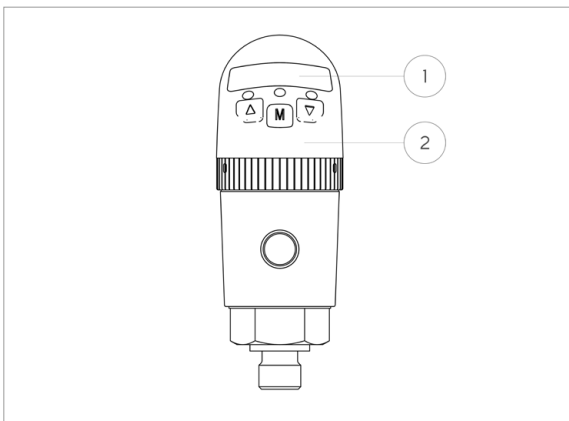
Instrumentation & Control / Pressure Sensors

PRESSURE SENSOR WITH DISPLAY



USAGE

The Pressure Sensor is used for monitoring and displaying the process pressure in the set pressure measuring range.



CONSTRUCTION

- 1 Pressure sensor
- 2 Pressure display

HIGHLIGHTS

- Up to two switching points / alarm limits can be configured

YOUR BENEFITS

- Display of current process pressure
- Monitoring of excess/ under-pressure in the individual process

PRESSURE SENSOR WITH DISPLAY

ORDER CODE

(* STANDARD OPTIONS)

PS4	-		-		-		-		-		-	
1		2		3		4		5		6		7

1	Designation Pressure Sensor with Display	3	Process connection G14 G1/4" external thread*	5	Sealing material V Viton* E EPDM
2	Upper limit measuring range	4	Electrical outlet		
010	10 [bar]*	S2	2 switching points*		
050	50 [bar]*	A1	4...20mA 1 switching point		
100	100 [bar]	V1	0...10V 1 switching point		
200	200 [bar]*	A2	4...20mA 2 switching points		
		V2	0...10V 2 switching points		

STANDARD VARIANTS

Item number	Order Code	Item number	Order Code
50007070	PS4-010-G14-S2-V	50004903	PS4-100-G14-S2-V
50008824	PS4-050-G14-S2-V	50008826	PS4-200-G14-S2-V

ACCESSORIES

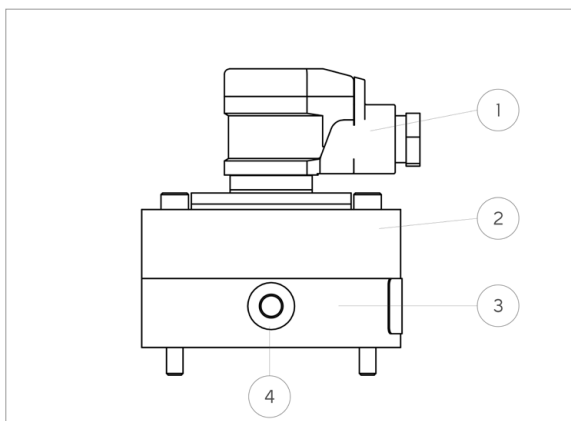
Item number	Order Code	Designation
50000833	WZK-04U01-M12FA-OEOE-020	Connecting line / angled / 2 [m]
50000840	WZK-04U01-M12FA-OEOE-050	Connecting line / angled / 5 [m]
50003413	WZK-04U01-M12FS-OEOE-020	Connecting line / straight / 2 [m]

TECHNICAL DATA

Process connection	G1/4 AG
Operating temperature	-10 to +70 [°C]
Medium temperature	-25 to 100 [°C]
Weight	0,200 [kg]
Supply voltage	15 to 32 [V]
Display	3-digit 7-segment LED display, red, number height 10 mm
Connection	plug 4-poles, M12x1
Display & Process connection	can be turned by 320°
Menu navigation	according to VDMA Standard

Instrumentation & Control / Volume Flow Sensor

GEARWHEEL VOLUME FLOW METER



USAGE

When processing media, the Gearwheel Volume Flow Meter measures the flowing quantity during a dosing process. The measuring principle is the volumetric gearwheel displacement system. This measuring works with a precisely integrated pair of gearwheels and is renowned for its high precision and pressure resistance. The rotation of the gearwheels is detected by a sensor and provided in digital format at the device interface.

CONSTRUCTION

- 1 Device socket
- 2 Cover
- 3 Housing
- 4 Flow opening

HIGHLIGHTS

- Little flow resistance
- highly dynamic measurements possible
- high resistance to pressure
- little sound emission
- very precise measuring with excellent reproducibility
- high precision also for small flow quantities in a lower measuring range#

YOUR BENEFITS

- Quantitative Process controls of almost all dosing processes, thus increasing process capability and OEE
- possibility for setting up volume-controlled application systems

GEARWHEEL VOLUME FLOW METER

ORDER CODE

(* STANDARD OPTIONS)

WGFM	-		-		-		-		-		-		-		-		-		-	
1		2		3		4		5		6		7		8		9		10		11

1	Designation	3	Sealing	4	Model
	Gearwheel Volume Flow Meter	F	FKM*	4	Speroidal graphite iron, carbide bearing, increased play
		E	EPDM	5	Stainless steel, carbide bearing, increased play*
2	Nominal size (VgZ = cm³) geometric tooth volume				
000025	0,025 [ccm]**				
000100	0,100 [ccm]				

STANDARD VARIANTS

Item number	Order Code
50007144	WGFM-000025-F-5

ACCESSORIES

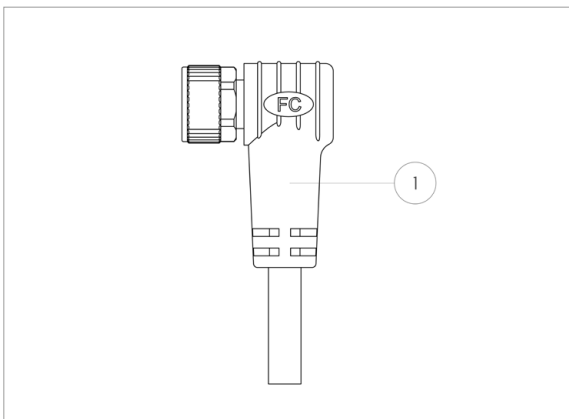
Item number	Order Code	Designation
5000xxxx		Connecting plug with evaluating electronics

TECHNICAL DATA

Operating pressure	max. 400 [bar]
Dimensions	Ø 94 x 101 [mm]
Weight	3,0 [kg]
Temperature range	-30 to 120 [°C]
Connection (model 5)	G1/8"i
Supply voltage	24 [VDC]
Signal outlet	PNP (NPN upon request)
Number of measuring channels	2 [each]

Instrumentation & Control / Accessories

CONNECTING CABLE



HIGHLIGHTS

- Drag chain suitable

USAGE

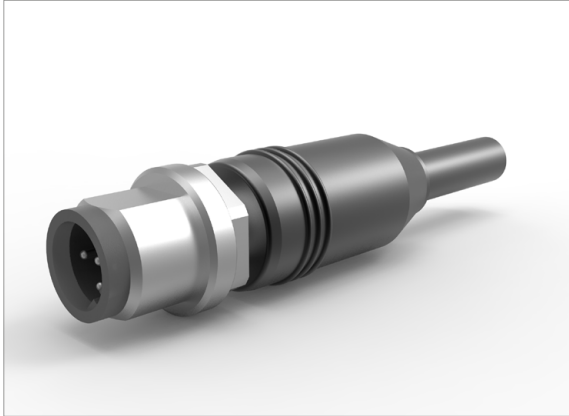
Connecting Cable for connecting different devices of Walther Systemtechnik GmbH. The connecting cables are equipped with a round plug-in connector of size M8 or M12 and available in different line lengths.

CONSTRUCTION

- 1 Connecting cable

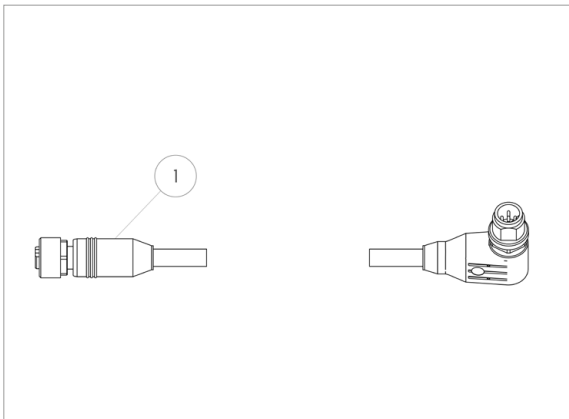
Instrumentation & Control / Accessories

BUS CABLE



USAGE

BUS Connecting Cable for connecting the communication interface of various devices of Walther Systemtechnik GmbH (esp. RS485). The connecting cables are equipped with a round plug-in connector in size M12 and available in different line lengths.



CONSTRUCTION

1 BUS line

HIGHLIGHTS

- Drag chain suitable
- shielded version

YOUR NOTES

A series of 25 horizontal grey bars stacked vertically, providing a space for taking notes.

YOUR NOTES

A series of 20 horizontal grey bars stacked vertically, providing a space for taking notes.

THE FOUNDATION FOR YOUR SUCCESS.

MADE IN GERMANY: QUALITY CREATES ADDED VALUE.

For us, quality is and remains an important distinguishing feature in international competition. Accompanied by sustainability, innovative capability and customer unders-

tanding. As the development and production are based at our headquarter in Germersheim, we represent a tradition of best engineering knowhow and product quality.

WHATEVER WE DO, WE DO IT RIGHT.

With passion, cleverness and a certified quality management. Whether construction or service – quality comes first for all our services. Since 1997, we can prove this with a TÜV label: our quality management system has been certified according to standard ISO 9001:2015.

Therewith, our customers benefit from reliable quality through lasting error analysis and constant improvement, more time for individual orders through structured internal pro-

cesses as well as cost savings by optimized internal and external procedures.



ACHIEVING MORE TOGETHER.

As a member of the VDMA, we are fully integrated into a powerful network of industry and science. The Mechanical Engineering Industry Association (VDMA) represents around 3,300 member companies in the SME-dominated mechanical and systems engineering industry in Germany and Europe.

WE ARE HERE FOR YOU.

SIMPLY CONTACT US.

For questions, consulting and/or further information, our team is available. You have different options for contacting us.

Send us a letter, an email or a fax. We will provide a comprehensive answer as soon as possible.

CONSULTING & SALES

Phone: +49-7274-7022-0

Fax: +49-7274-7022-91

Email: info@walther-systemtechnik.com

SERVICE

Phone: 0 72 74 / 70 22-0

Fax: 0 72 74 / 70 22-91

Email: service@walther-systemtechnik.com

Address:

Walther Systemtechnik GmbH
Hockenheimer Str. 3
D-76726 Germersheim

Handed over by:

