

MISIA

spare parts

Misia hoist spare parts

ミシアホイストスペアパーツ

Misia vinç yedek parçaları

Misia Hebezeug Ersatzteile

قطع غيار ميديا رافعة

Misia ngre pjesë këmbimi

Misia qaldırıcı ehtiyat hissələri

Misia dizalica rezervni dijelovi

Мисия подъемник резервни части

Misia zvedají náhradní díly

Misia葫芦备件

Misia葫蘆備件

Misia hejser reservedele

Suku cadang hoist misia

Misia բեռնատար պահեստամասեր

Misia tõstukite varuosad

Misia قطعات یدکی برای حمل و نقل

Misia takelt reserveonderdelen

Misia-nostolaitteiden varaosat

Misia palan pièces de rechange

Misia dizalo rezervnih dijelova

मिसिया फहरते हैं स्पेयर पार्ट्स

חלקי חילוף להנעה של מיסיה

Misia repuestos de elevación

Misia hysar reservdelar

Ricambi per paranco Misia

Misia 호이스트 부품

Części zamienne do Miia

Misia pacēlāja rezerves daļas

Misia keltuvo atsarginės dalys

Misia emelő pótalkatrészek

Мисия подигнувајте резервни делови

Misia hoist alat ganti

Misia heiser reservedeler

Peças sobresselentes Misia hoist

Misia ridicã piese de schimb

Ανυψωτικά ανταλλακτικά Misia

Misia dvigalo rezervnih delov



**XM
SERIES**

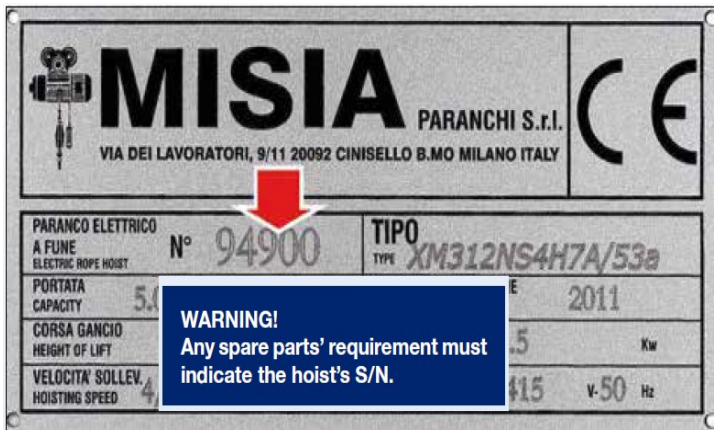
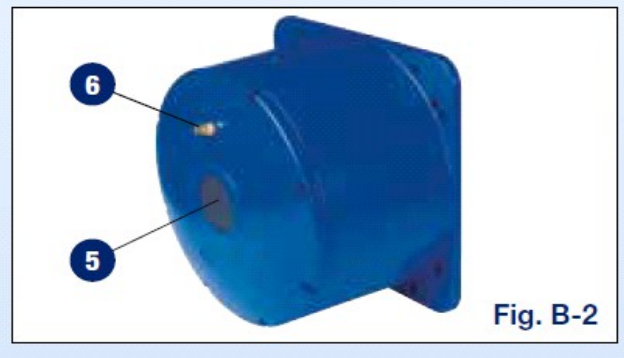
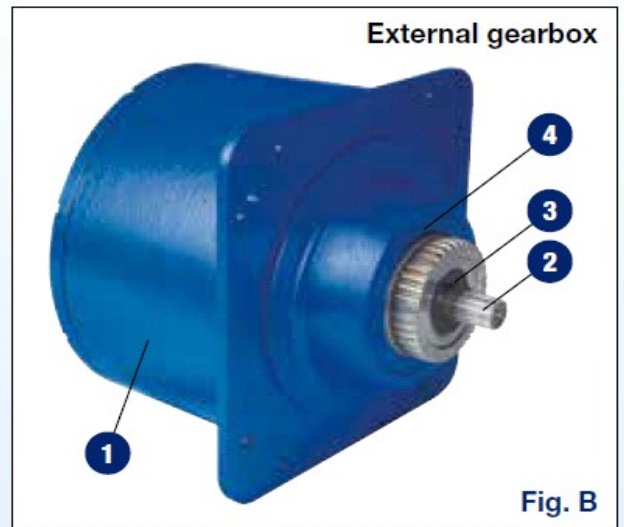


SPARE PARTS

PLANETARY GEARBOX

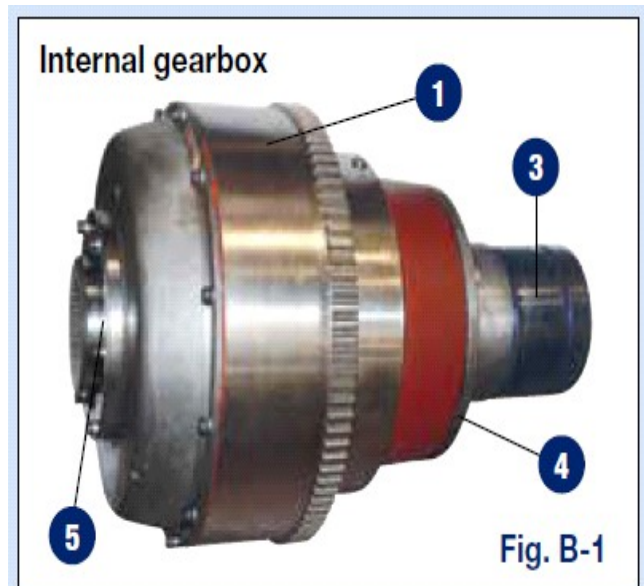
For XM hoists models 308 / 312 / 316 / 525

Pic. No:	Description:	Order Code:
1	Complete lifting gearbox	5/B/1
2	Gearbox fast shaft	5/B/2
3	Fast shaft's seal ring	5/B/3
4	Slow shaft's seal ring	5/B/4
5	Oil's cork	5/B-2/5
6	Vent valve	5/B-2/5



For XM hoists models 740 / 750 / 950 / 963 / 980 / 1100 / 1125

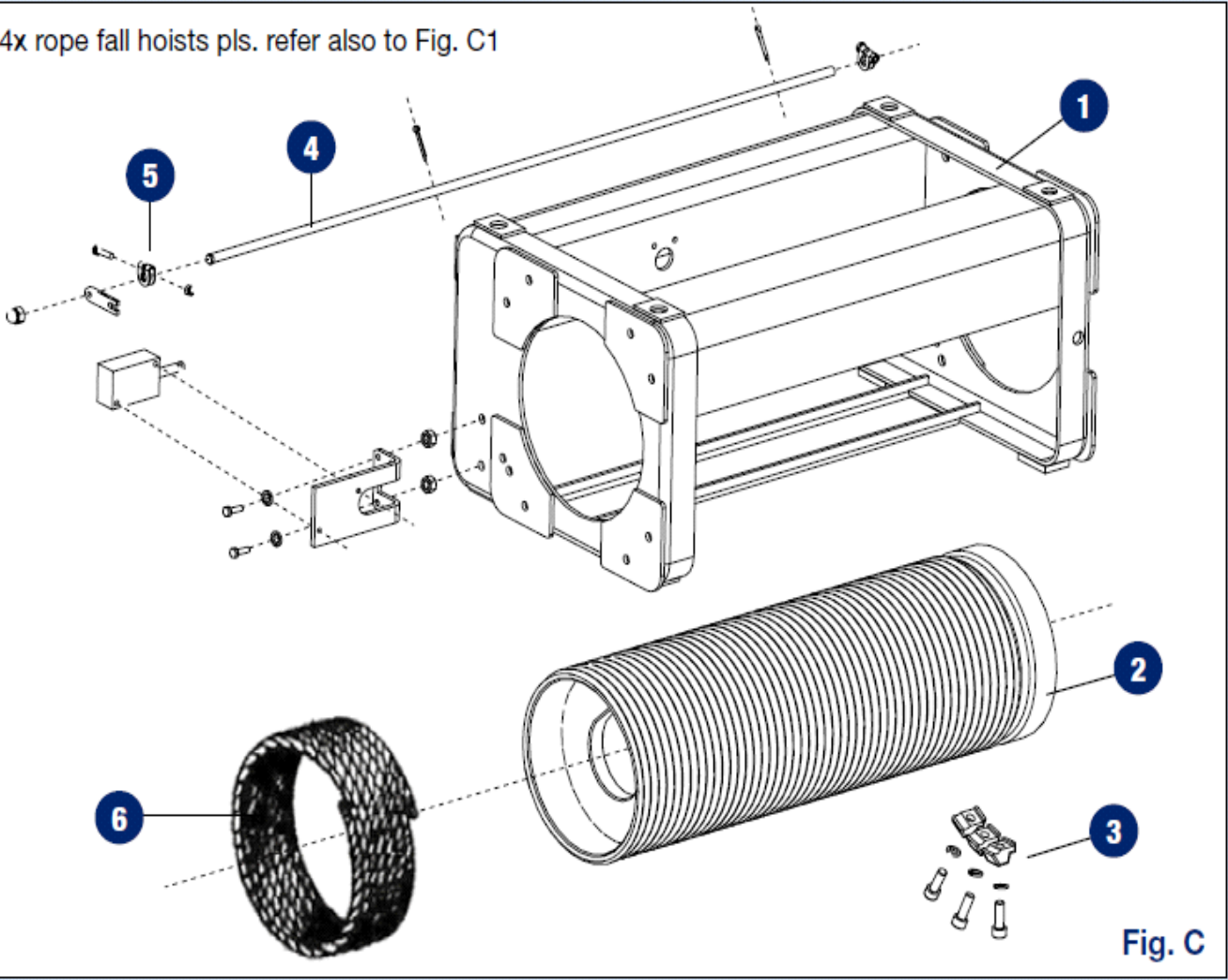
Pic. No:	Description:	Order Code:
1	Complete lifting gearbox	5/B-1/1
3	Geared coupling	5/B-1/2
4	Fast shaft's seal ring	5/B-1/3
5	Slow shaft's seal ring	5/B-1/4



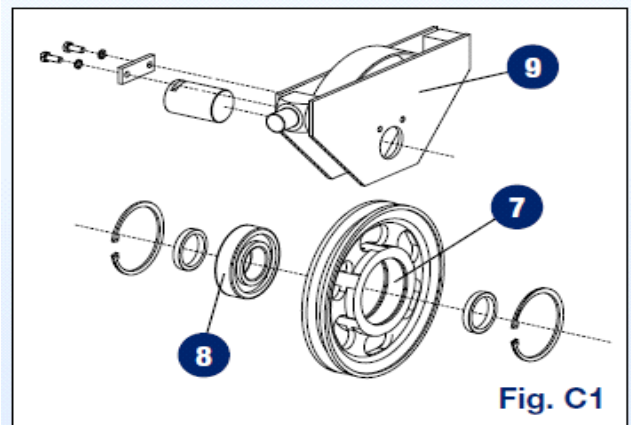
HOIST'S BODY

Pic. No:	Description:	Order Code:
1	Frame	6/C/1
2	Drum	6/C/2
3	Fixing rope plate	6/C/3
4	Limit switch control bar	6/C/4
5	Control bar fixed limiters	6/C/5
6	Wire rope	6/C/6

For 4x rope fall hoists pls. refer also to Fig. C1



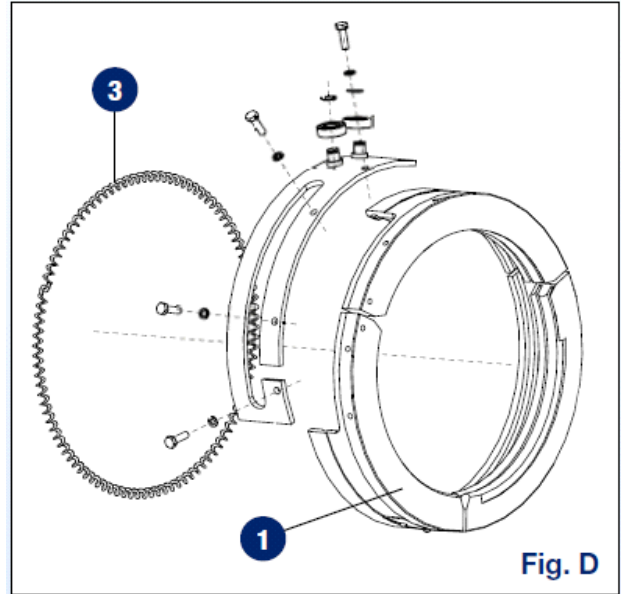
Pic. No:	Description:	Order Code:
7	Return sheave with bearing	6/C-1/7
8	Return sheave with bearing	6/C-1/8
9	Traverse with compensation pulley	6/C-1/9



ROPE GUIDE

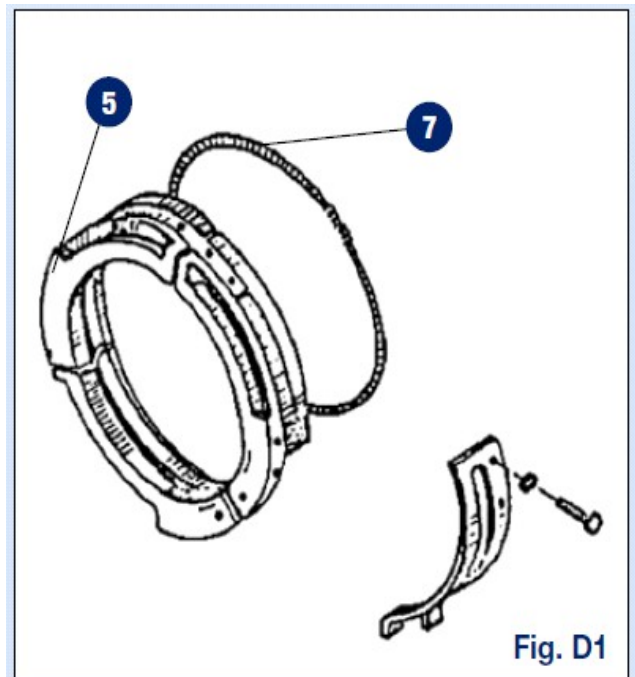
For XM hoists models 308 / 312 / 316 / 525 / 740 / 750

Pic. No:	Description:	Order Code:
1	Complete rope guide	7/D/1
3	Rope guide spring	7/D/3



For XM hoists models 950 / 963 / 980 / 1100 / 1125

Pic. No:	Description:	Order Code:
5	Complete rope guide	7/D-1/5
7	Rope guide spring	7/D-1/7



COUPLING & INTERMEDIATE SHAFT

For XM hoists models 308 / 312 / 316 / 525

Pic. No:	Description:	Order Code:
1	Complete set	8/E/1
2	Geared coupling(motor side)	8/E/2
3	Intemediate connecting shaft	8/E/3
4	Geared coupling(gearbox side)	8/E/4

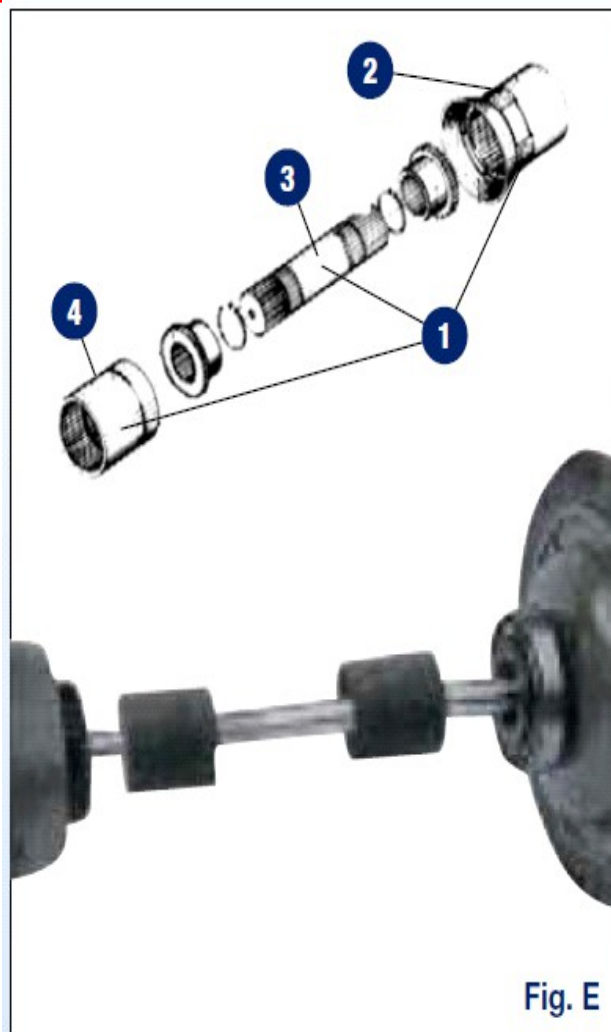


Fig. E

For XM hoists models 740/ 750 / 950 / 963 / 980 / 1100 / 1125

Pic. No:	Description:	Order Code:
5	Complete set of geared couplings	8/E-1/5
6	Geared coupling(motor side)	8/E-1/6
7	Geared coupling(gearbox side)	8/E-1/7

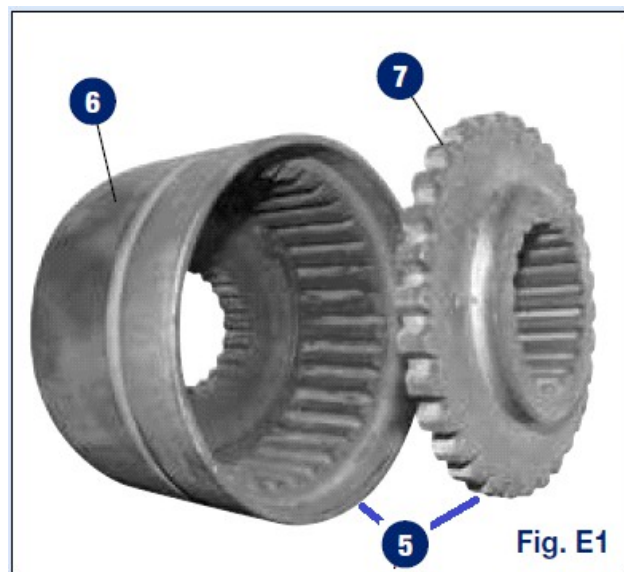


Fig. E1

END LIFTING SWITCH (over-reeving limiter)

For XM hoists models 308 / 312 / 316 / 525 / 740/ 750 / 950 / 963 / 980 / 1100 / 1125

Pic. No:	Description:	Order Code:
1	Complete set end-lifting switch with its cradle box and cable pass-by	9/F-1/1
3	Cradle box with cable pass-by	9/F-1/3



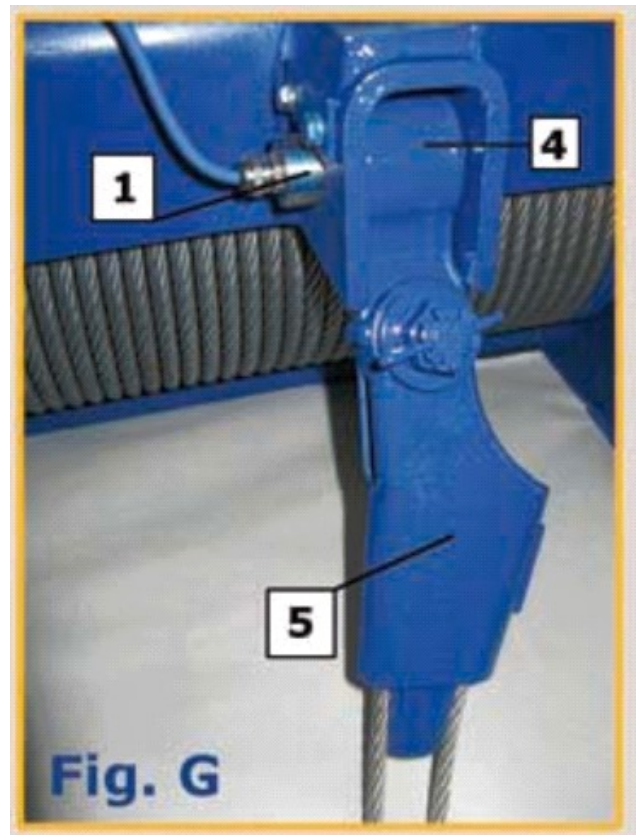
Pic. No:	Description:	Order Code:
2	End-lifting switch	9/F/2



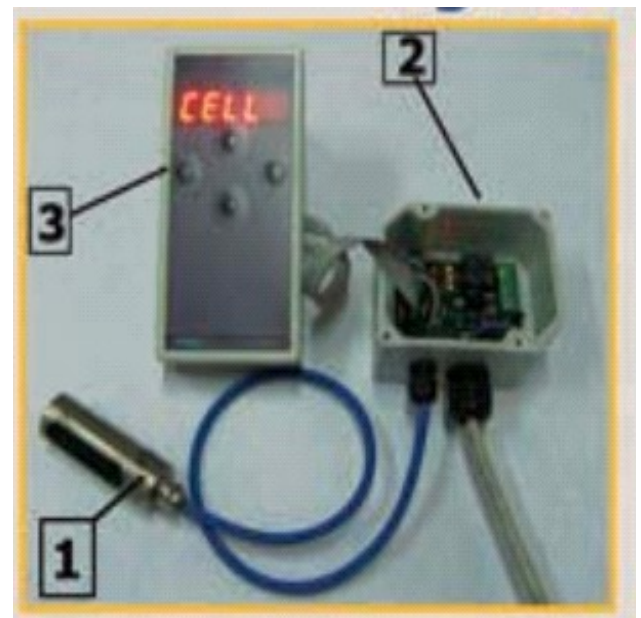
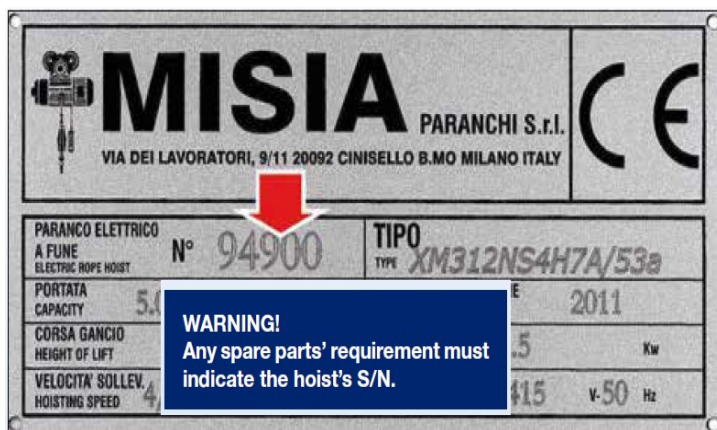
OVERLOAD LIMITER

Electronic overload limiter with dynamo-metric pin and 24V AC/DC electronic chip

Pic. No:	Description:	Order Code:
1	Dynamo-metric pin - Order Code:	10/G/1
4	Connector - Order Code: 10/G/4	10/G/4
5	Stirrup with wedge for rope fastening	10/G/5



Pic. No:	Description:	Order Code:
2	Box with chip (PCB)	10/G/2
3	Setting keypad	10/G-1/3



OVERLOAD LIMITER

Electronic overload limiter with dynamo-metric pin and 24V AC/DC electronic chip

Pic. No:	Description:	Order Code:
6	Regulation screw	10/G-2/6
7	Fixing nut	10/G-2/7
8	Micro-switches	10/G-2/8
9	"Cup-springs" set	10/G-2/9
10	Plate	10/G-2/10

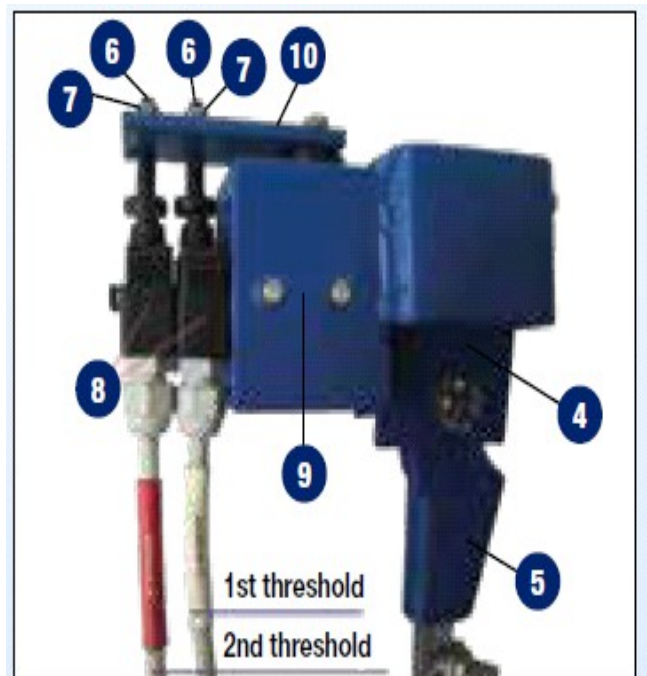
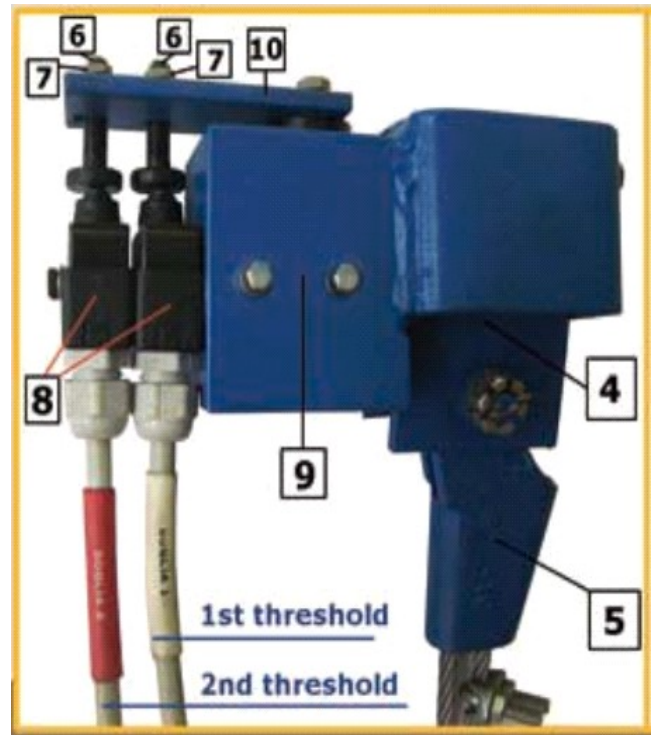
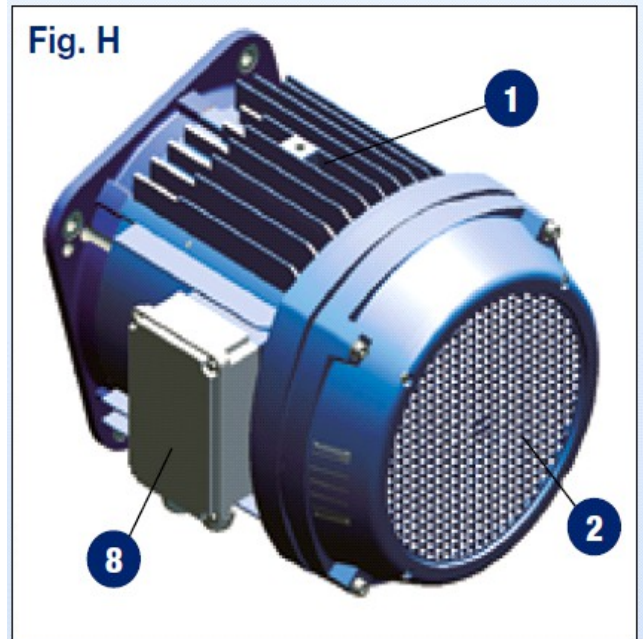


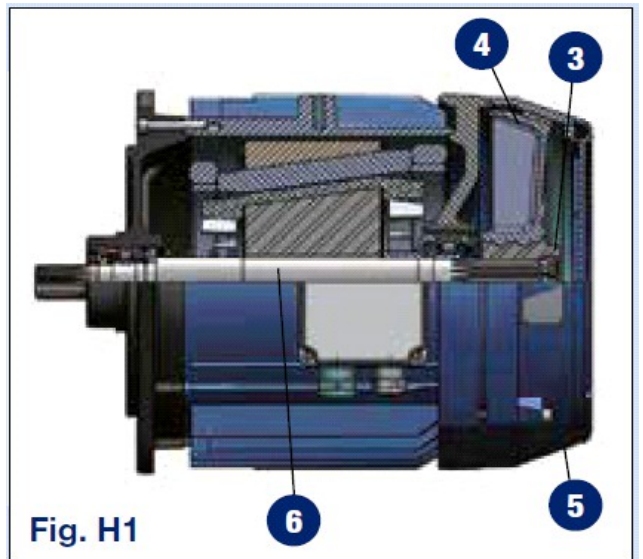
Fig. G2

CONICAL LIFTING MOTOR

Pic. No:	Description:	Order Code:
1	Complete lifting motor	11/H/1
2	Protection grid	11/H/2
8	Wiring connector terminal block	11/H/8



Pic. No:	Description:	Order Code:
3	Brake regulation nut	11/H-1/3
4	Brake fan	11/H-1/4
5	Brake bell	11/H-1/5
6	Motor shaft with rotor	11/H-1/6

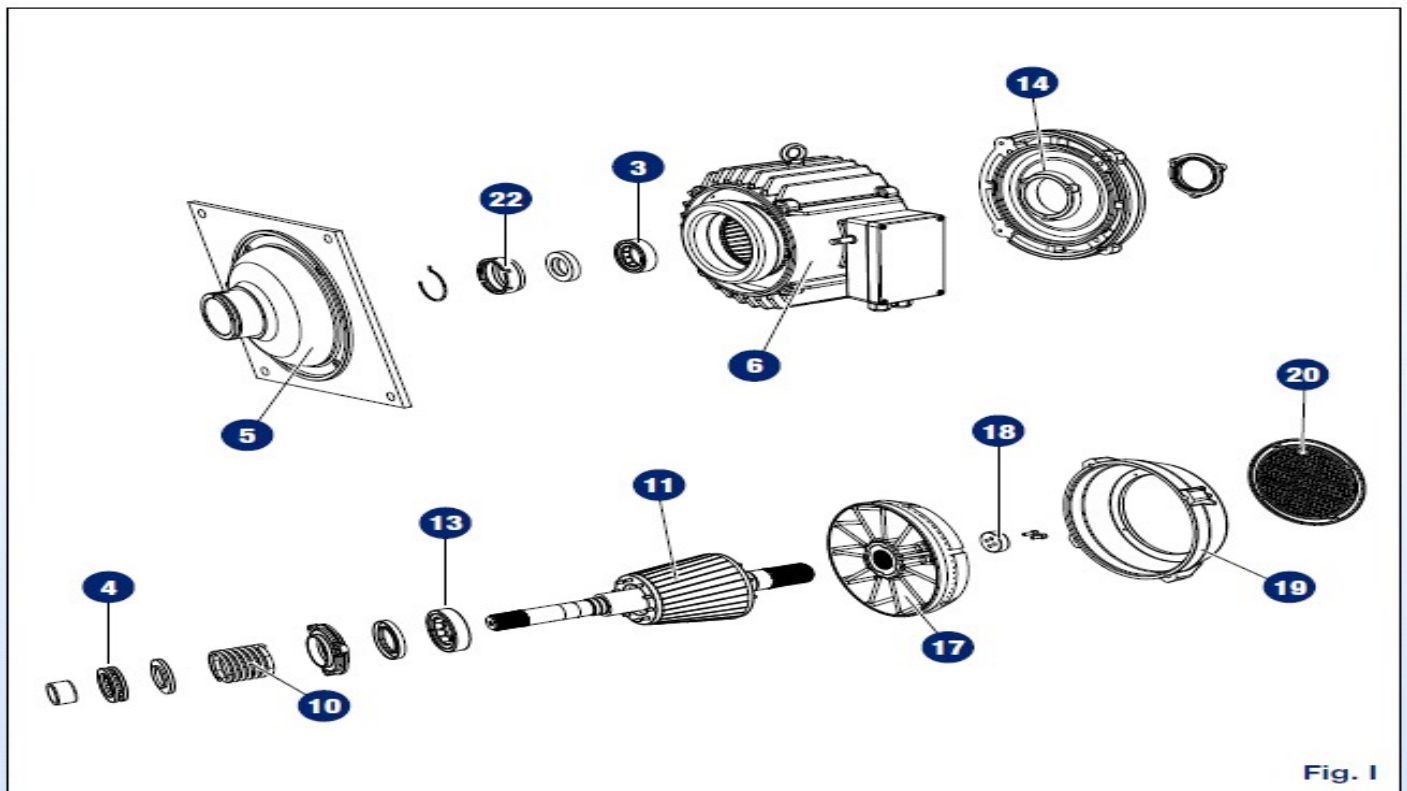


Pic. No:	Description:	Order Code:
9	Forced-ventilation kit	11/H-2/9



CONICAL LIFTING MOTOR

Pic. No:	Description:	Order Code:
3	Roll bearing	12/I/3
4	Axial ball bearing	12/I/4
5	Frontal flange	12/I/5
6	Stator body	12/I/6
10	Spring	12/I/10
11	Rotor and shaft	12/I/11
13	Roll bearing	12/I/13
14	Rear flange	12/I/14
17	Brake fan with ferodo	12/I/17
18	Brake regulation nut	12/I/18
19	Brake bell	12/I/19
20	Protection grid	12/I/20
22	Nut	12/I/22

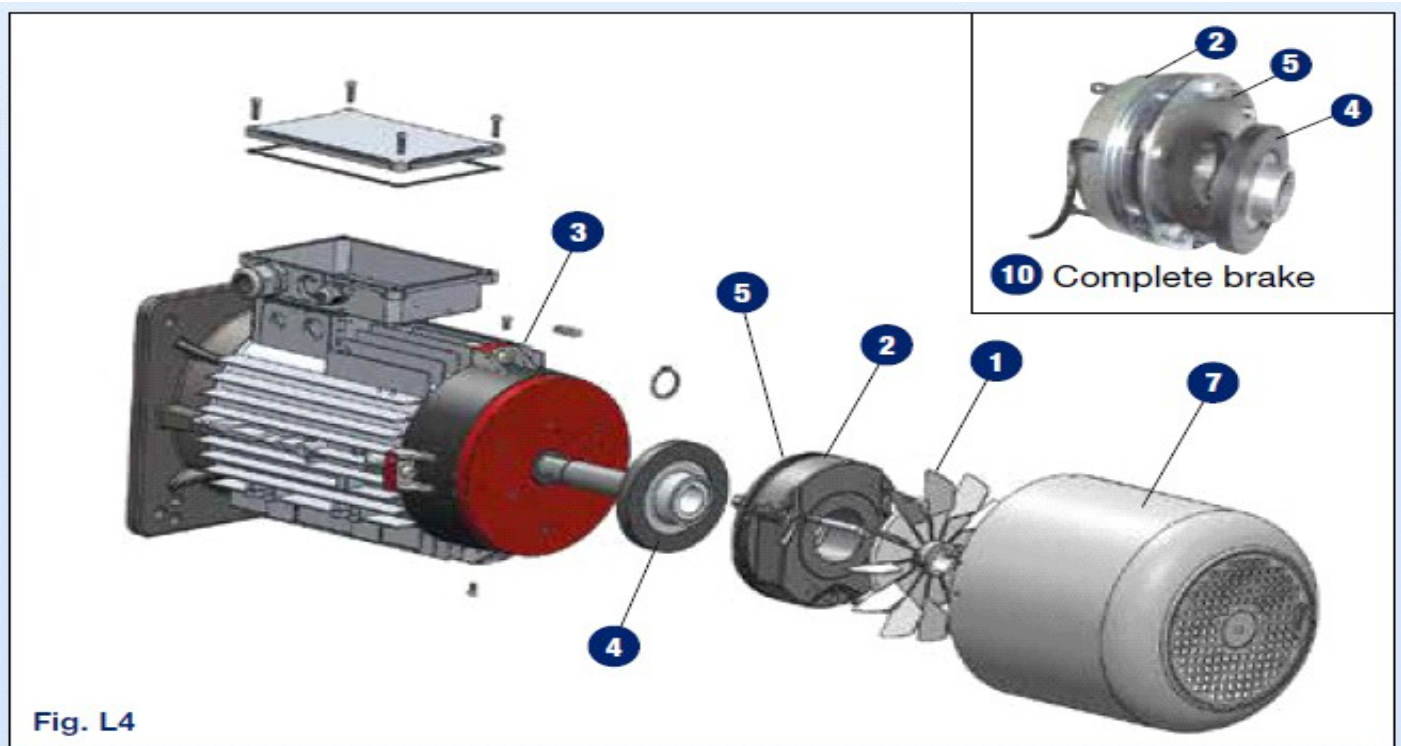
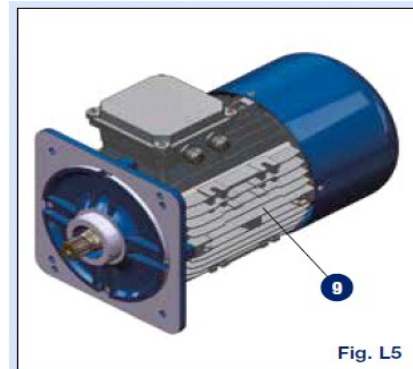


Pic. No:	Description:	Order Code:
23	Complete motor	13/J-2/23

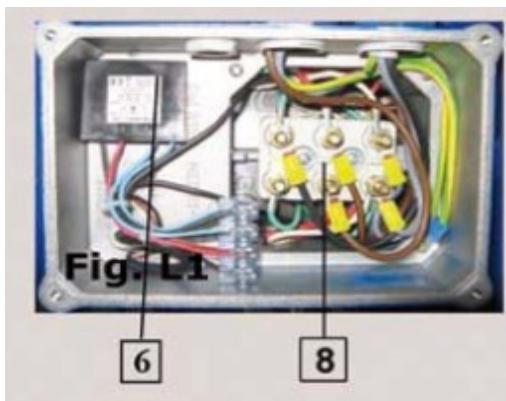


CYLINDRICAL LIFTING MOTOR

Pic. No:	Description:	Order Code:
1	Cooling fan	14/L-2/1
2	Electro-magnet coil	15/L-4/2
3	Motor main body	15/L-4/3
4	Brake disc with ferodo/lining	15/L-4/4
5	Mobile anchor	15/L-4/5
7	Protection cover	15/L-4/7
9	Complete motor	14/L-5/9
10	(2 + 4 + 5) Complete brake	15/L-4/10



6A	Brake current rectifier	14/L-1/6A
6B	Brake current rectifier	14/L-1/6B
8	Wiring terminal block	14/L-1/8



HOOK BLOCK 2X ROPE FALLS - S2 (2/1 REEVINGS)

Pic. No:	Description:	Order Code:
1	External cover	16/M/1
2	Sheave with bearings	16/M/2
3	Upper profile	16/M/3
4	Lower profile	16/M/4
5	Hook	16/M/5
7	Axial bearing	16/M/7
8	Nut	16/M/8
9	Safety with springs	16/M-1/9
10	Elastic plug	16/M/10
12	Complete hook block	16/M-2/12

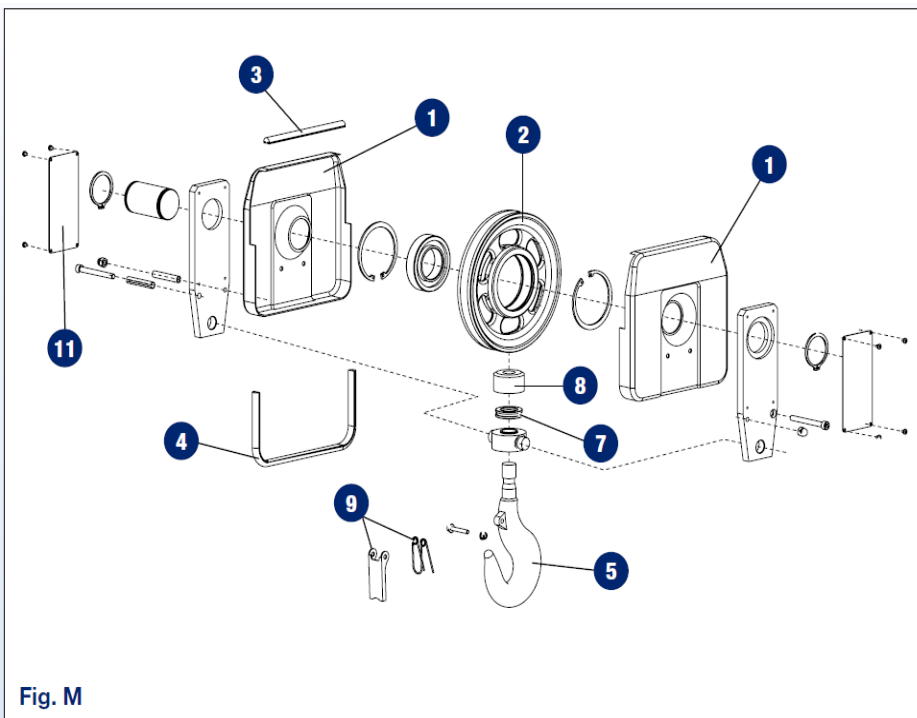


Fig. M

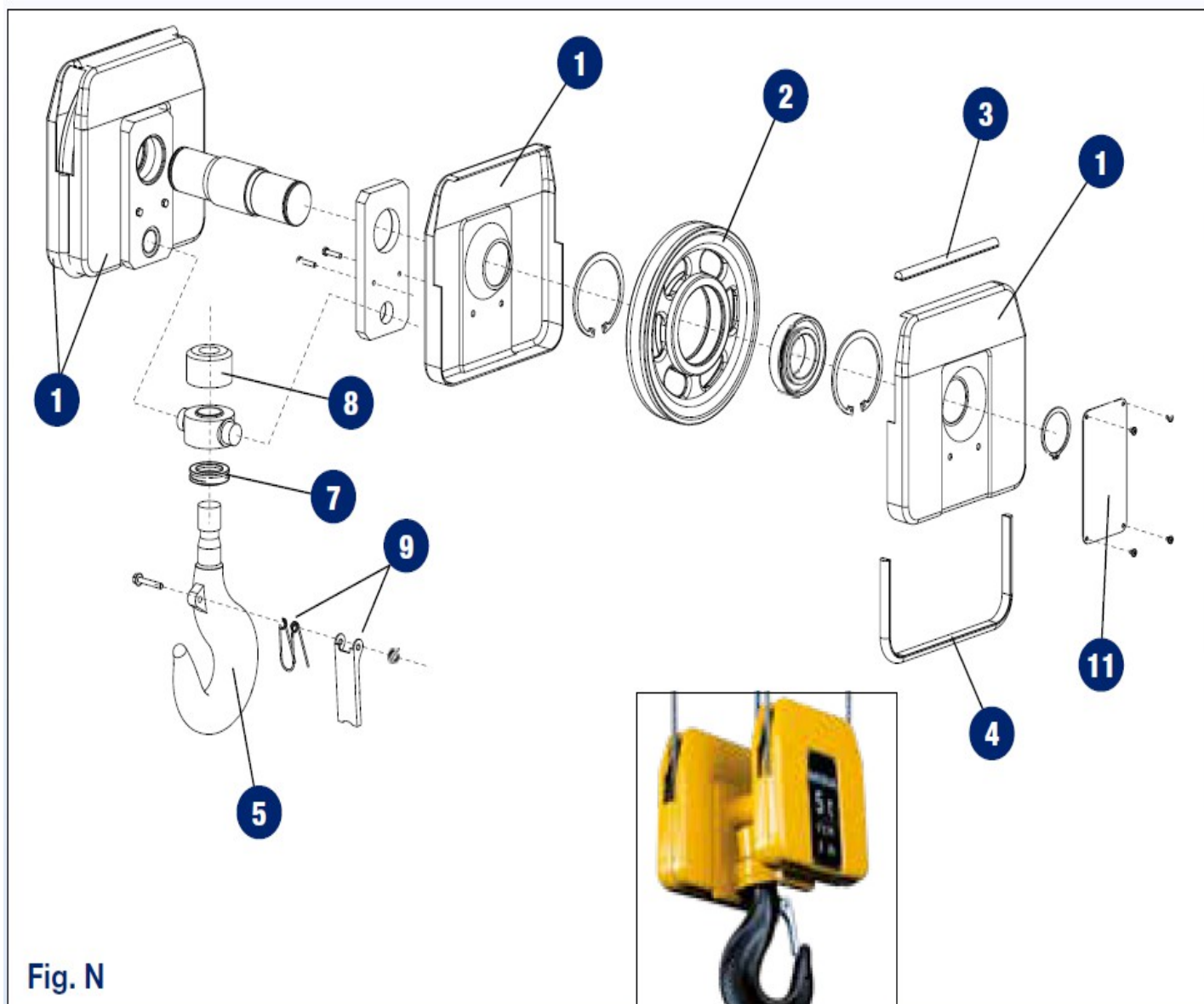
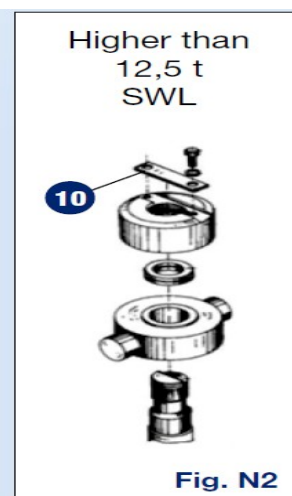
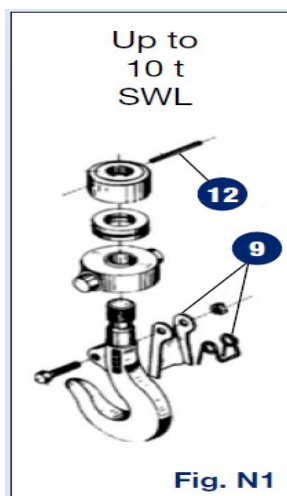


Fig. M2



HOOK BLOCK 4X ROPE FALLS - S4 (4/1 REEVINGS)

Pic. No:	Description:	Order Code:
1	External case	17/N/1
2	Sheave with bearings	17/N/2
3	Upper profile	17/N/3
4	Lower profile	17/N/4
5	Hook	17/N/5
7	Axial bearing	17/N/7
8	Nut	17/N/8
9	Load safety plate with springs	17/N-1/9
10	Plate	17/N-2/10
11	Load capacity and Fem class label	17/N/11
12	Elastic plug	17/N-1/12
13	Complete hook block	17/N-3/13



MONORAIL STANDARD TROLLEY (TYPE 3)

Pic. No:	Description:	Order Code:
1	Drive trolley	18/O/1
2	Idle trolley	18/O/2
3	Travel motor	18/O/3
4	Gearbox	18/O/4
5	Drive wheel with bearings	18/O/5
6	Idle wheel with bearings	18/O/6
8	Hoist/Trolley shaft	18/O/8

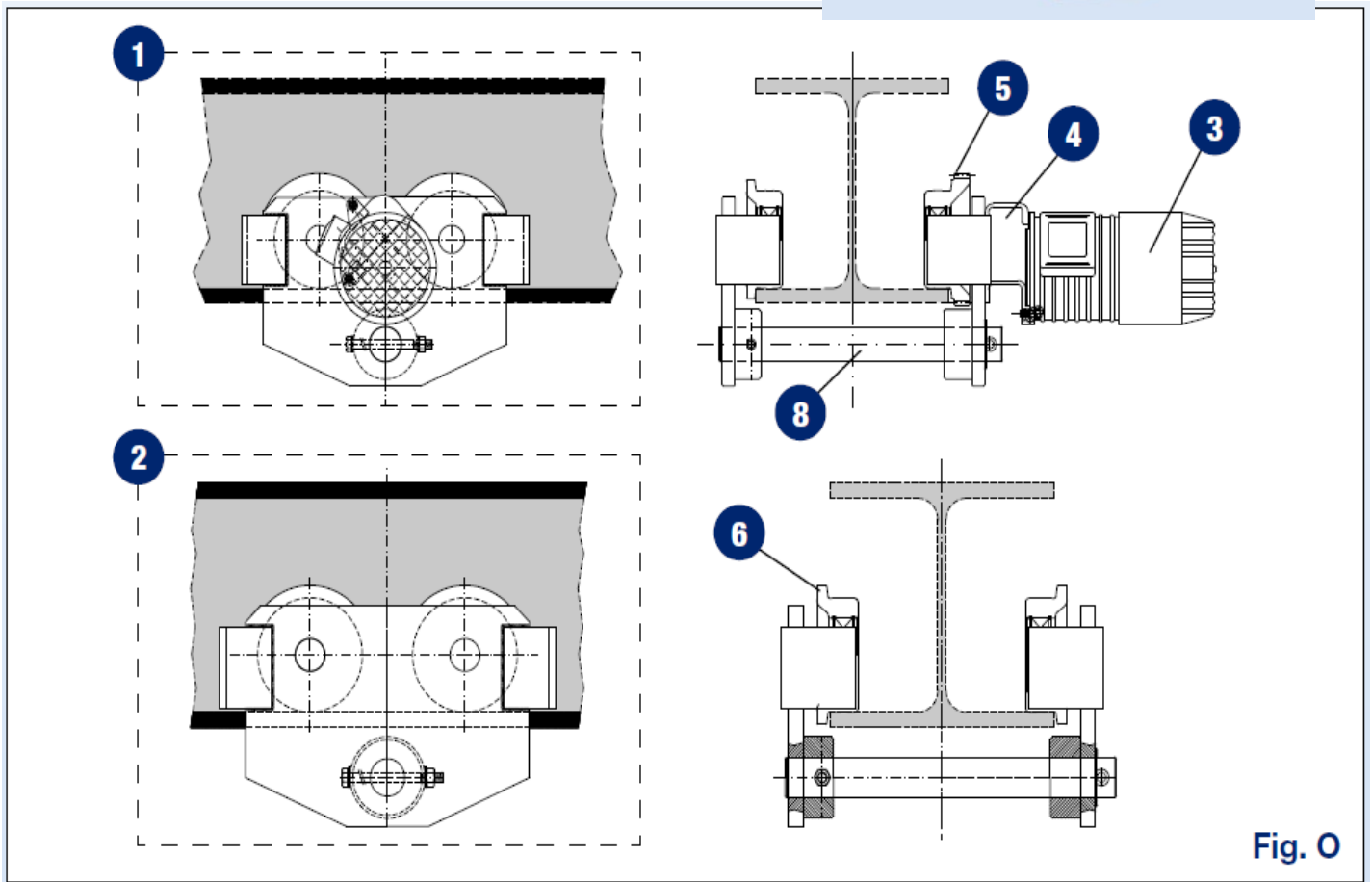


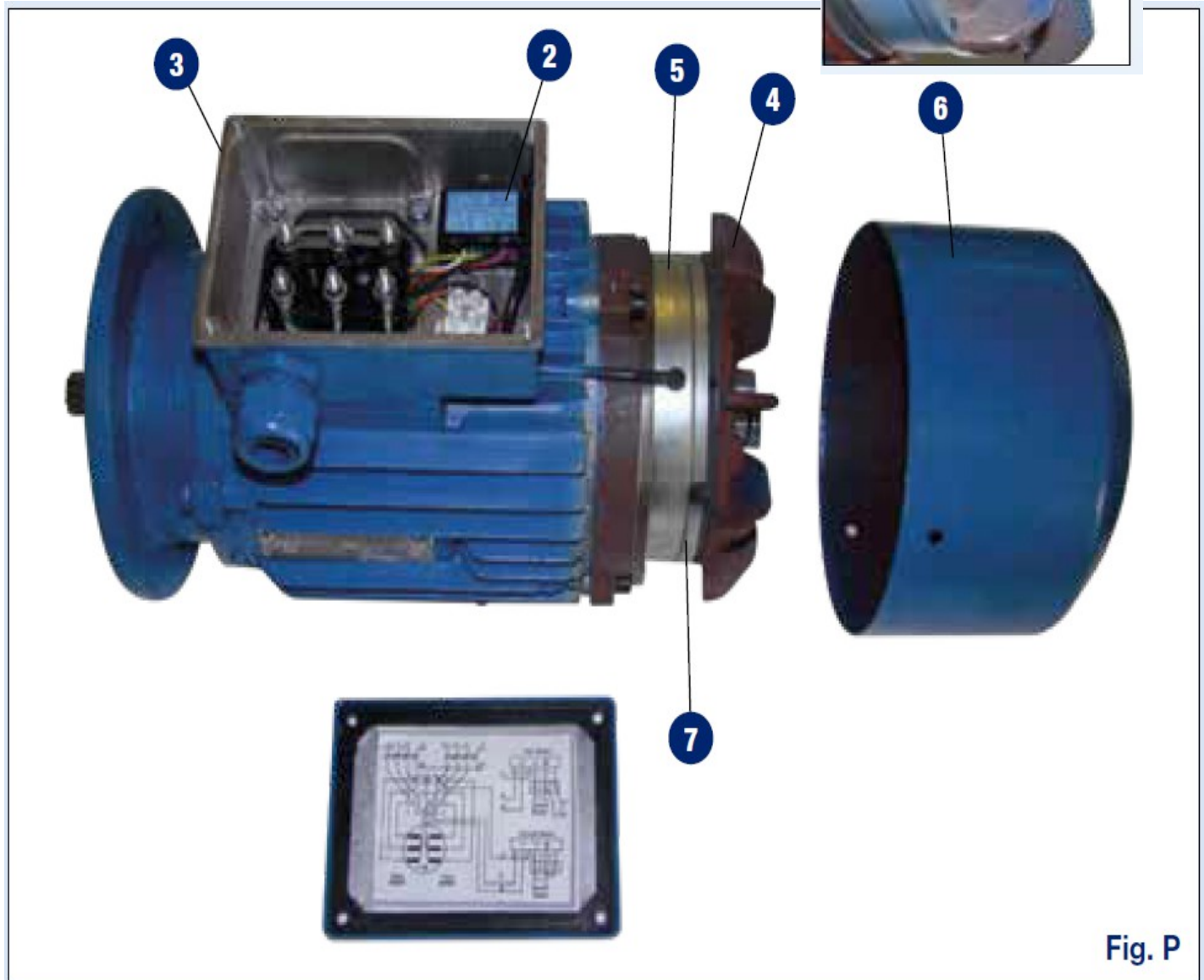
Fig. 0

 MISIA PARANCHI S.r.l. VIA DEI LAVORATORI, 9/11 20092 CINISELLO B.MO MILANO ITALY		
PARANCO ELETTRICO A FUNE ELECTRIC ROPE HOIST	N° 94900	TIPO TYPE XM312NS4H7A/53a
PORTATA CAPACITY 5.4	E 2011	
CORSA GANCIO HEIGHT OF LIFT .5	Kw	
VELOCITA' SOLLEV. HOISTING SPEED 4	v. 50 Hz	

WARNING!
Any spare parts' requirement must indicate the hoist's S/N.

MONORAIL STANDARD HEADROOM (TYPE 3) TRAVEL MOTOR

Pic. No:	Description:	Order Code:
1	Complete travel motor	19/P/1
2	Brake current rectifier	19/P/2
3	Motor header	19/P/3
4	Brake fan with ferodo	19/P/4
5	Electro-magnet	19/P/5
6	Protection cover	19/P/6
7	Mobile anchor	19/P/7
8	Brake complete set	19/P-1/8



MONORAIL LOW HEADROOM TROLLEY (TYPE 83)

Pic. No:	Description:	Order Code:
1	Travel motor	20/Q-1/1
2	Complete gearbox	20/Q-1/2
3	Drive wheel with bearings	20/Q/3
5	Idle wheel with bearings	20/Q/5
6	Drive wheel control shaft	20/Q/6
7	Return traverse (for 4x rope falls hoists only)	20/Q/7
8	Return sheave with bearings (for 4x rope falls hoists only)	20/Q/8



Fig. Q

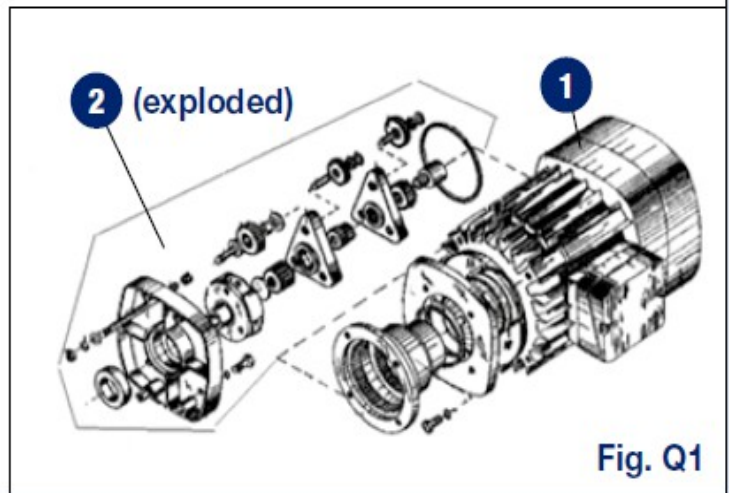
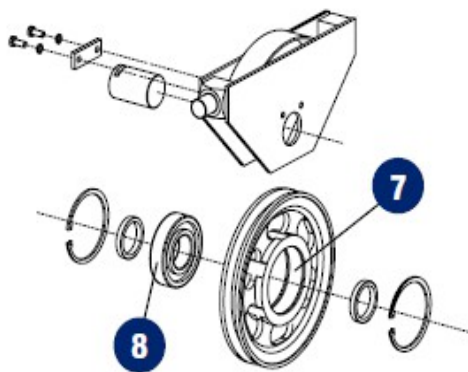
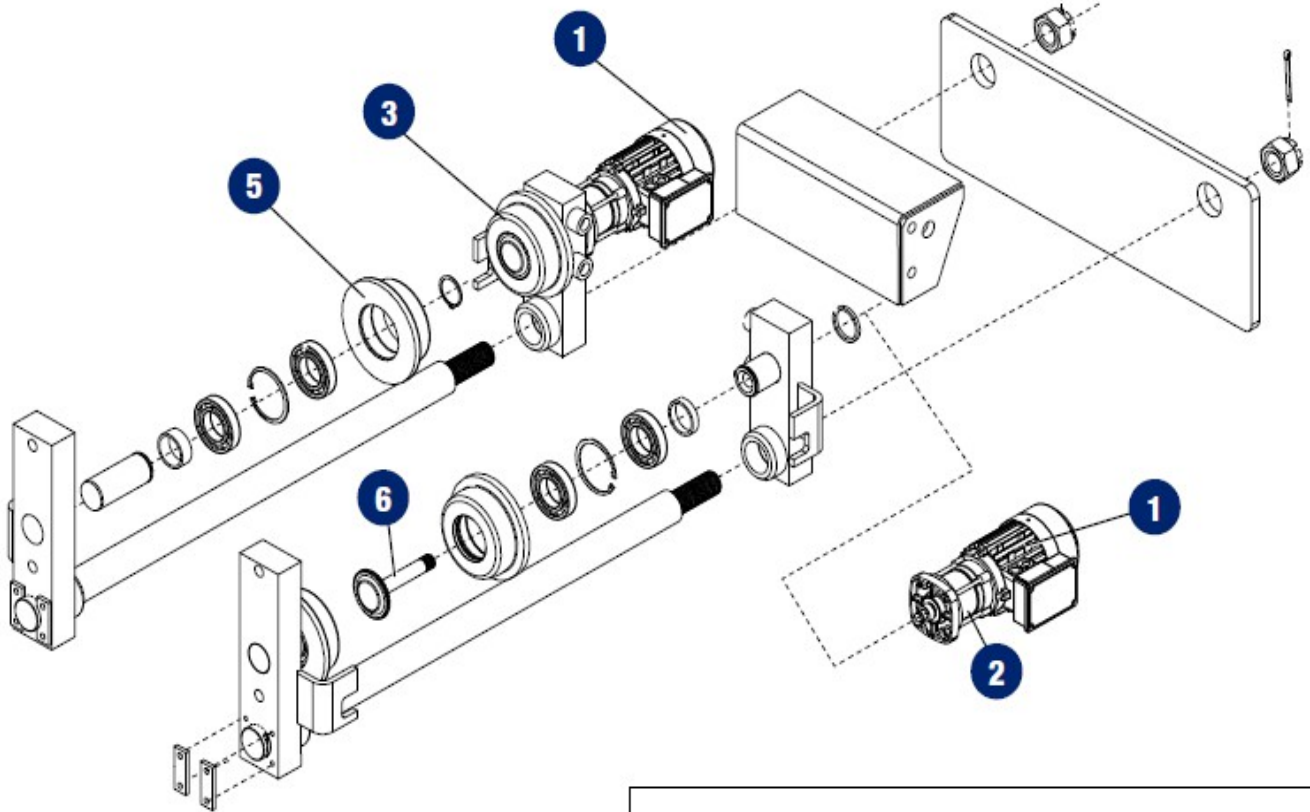


Fig. Q1

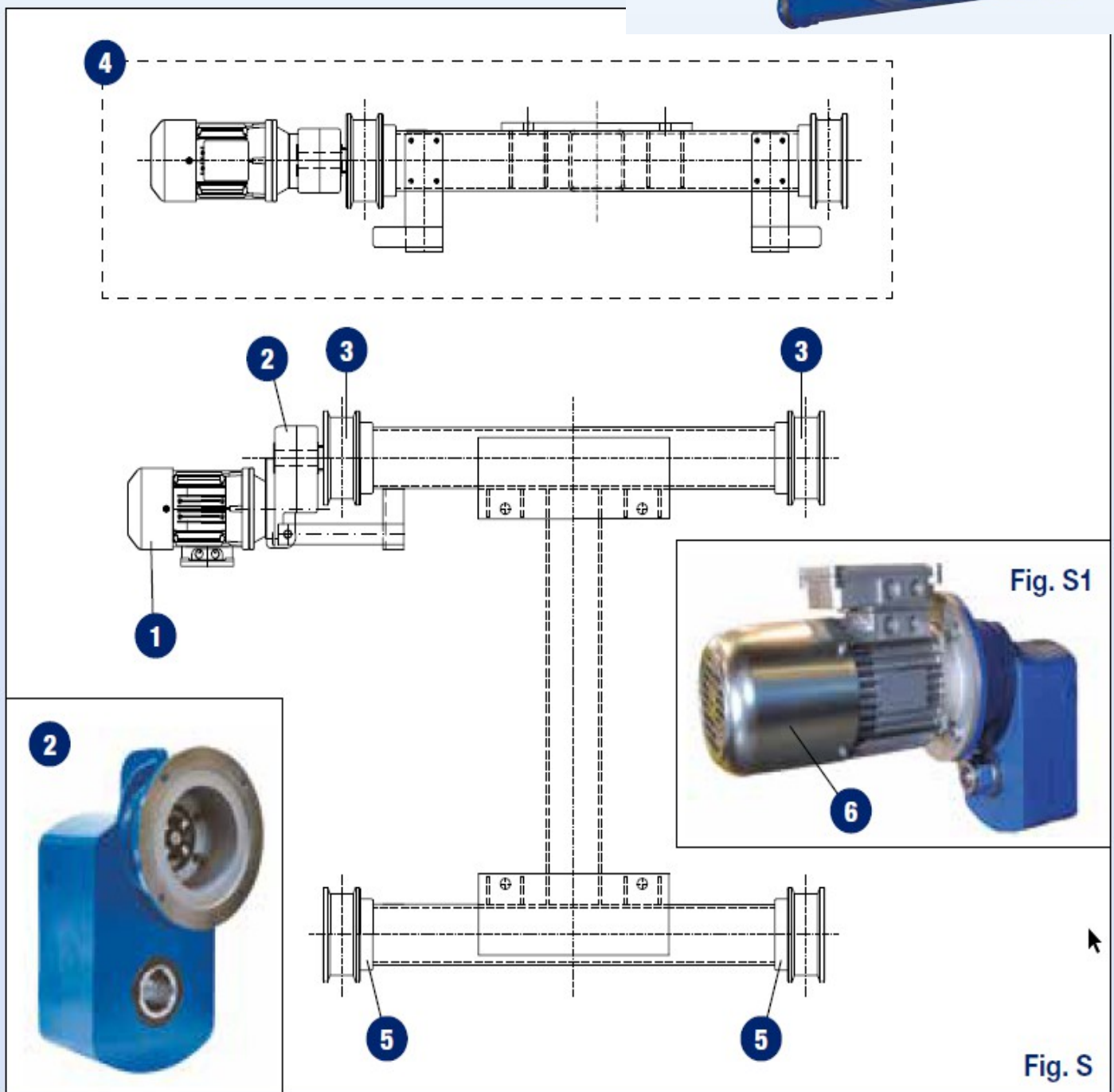
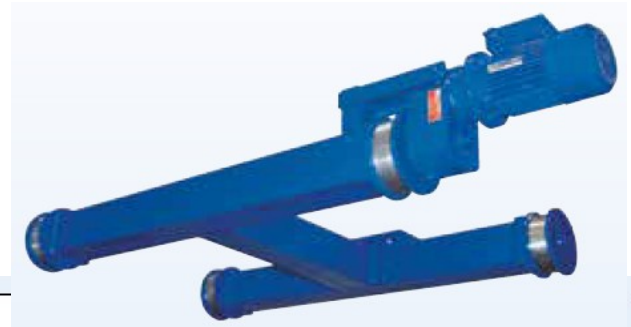
MONORAIL TROLLEY LOW HEADROOM (TYPE 83) TRAVEL MOTOR

Pic. No:	Description:	Order Code:
1	Complete travel motor	21/R/1
2	Brake current rectifier	21/R/2
3	Electro-magnet	21/R/3
4	Brake fan with ferodo	21/R/4
5	Protection cover	21/R/5
6	Motor header	21/R/6
7	Mobile anchor	21/R/7
8	Brake complete set	21/R-1/8



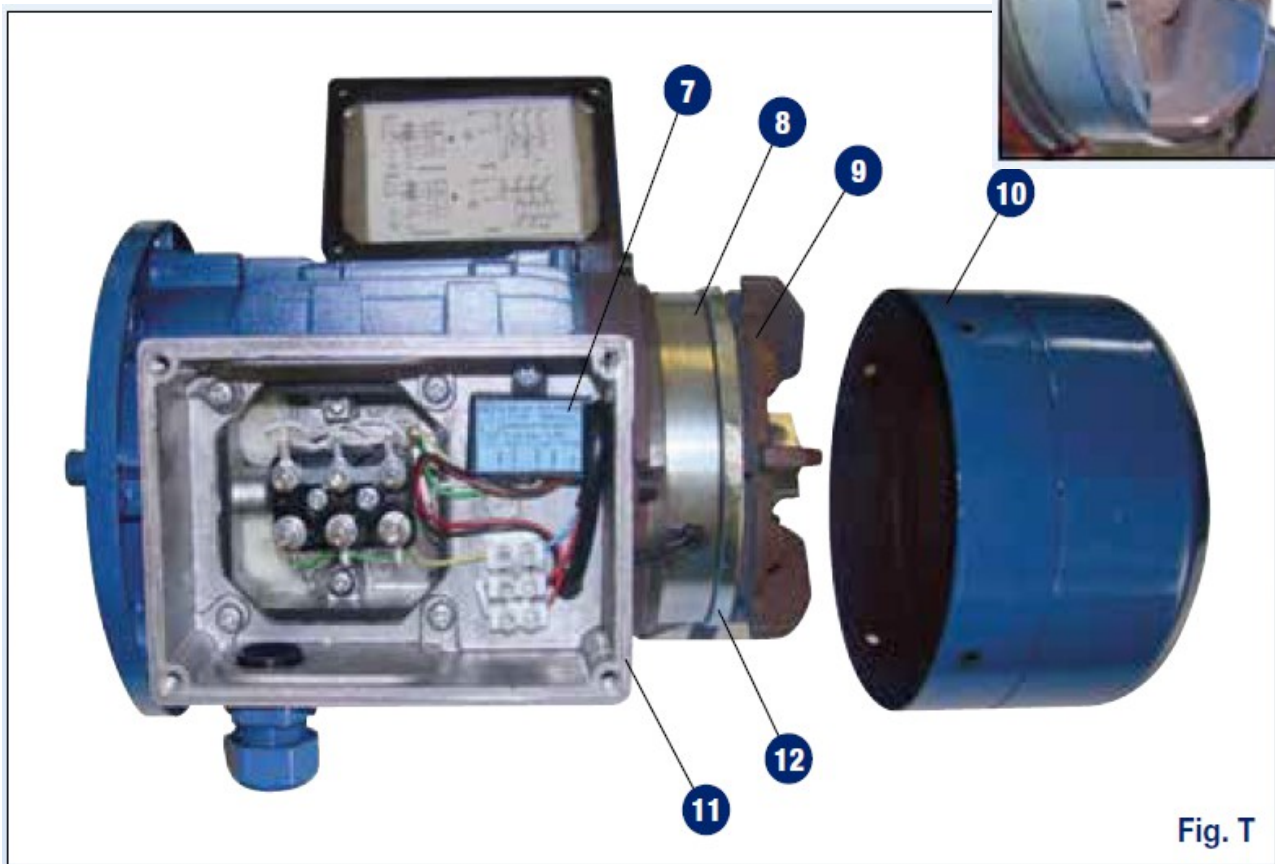
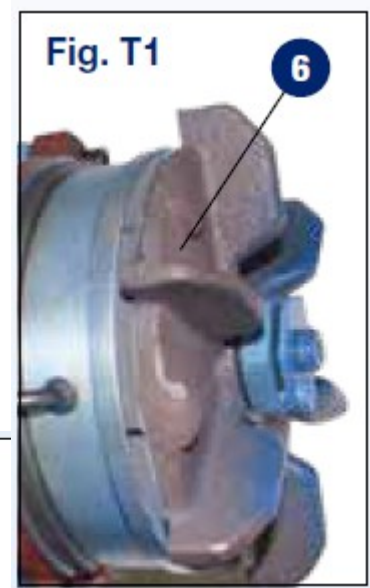
BI-RAIL TROLLEY (TYPE 53)

Pic. No:	Description:	Order Code:
1	Travel motor	22/S/1
2	Gearbox	22/S/2
3	Drive wheel	22/S/3
4	Complete bi-rail trolley	22/S/4
5	Idle wheel	22/S/5
6	Travel motor and its gearbox	22/S-1/6



BI-RAIL TROLLEY (TYPE 53) TRAVEL MOTOR

Pic. No:	Description:	Order Code:
6	Complete brake	23/T-1/6
7	Brake current rectifier	23/T/7
8	Electro-magnet	23/T/8
9	Brake fan with ferodo	23/T/9
10	Cover protection	23/T/10
11	Motor header	23/T/11
12	Mobile anchor	23/T/12



 MISIA PARANCHI S.r.l. VIA DEI LAVORATORI, 9/11 20092 CINISELLO B.MO MILANO ITALY		
PARANCO ELETTRICO A FUNE ELECTRIC ROPE HOIST	N° 94900	TIPO TYPE XM312NS4H7A/53a
PORTATA CAPACITY 5.4	E 2011	
CORSA GANCIO HEIGHT OF LIFT .5	Kw	
VELOCITA' SOLLEV. HOISTING SPEED 4	15 v-50 Hz	

WARNING!
Any spare parts' requirement must indicate the hoist's S/N.

MISIA SPECIAL TOOLS FOR HOIST MAINTENANCE

LX 500 KG

Manual mini hoist for maintenance

Order No: 25/KT/1

LX 500 KG - CU

Bag

Order No: 25/KT-1/1



Fig. KT



Fig. KT-1

 MISIA PARANCHI S.r.l. VIA DEI LAVORATORI, 9/11 20092 CINISELLO B.MO MILANO ITALY		
PARANCO ELETTRICO A FUNE ELECTRIC ROPE HOIST	N° 94900	TIPO TYPE XM312NS4H7A/53a
PORTATA CAPACITY 5,0	E 2011	
CORSA GANCIO HEIGHT OF LIFT 4	WARNING! Any spare parts' requirement must indicate the hoist's S/N.	
VELOCITA' SOLLEV. HOISTING SPEED 4	15 Kw	v-50 Hz



HTFT 01

Ropeguide pliers

Order No: 25/UT-1/1



Fig. UT-1

HTFT 02

Rope guide spring puller set

Order No: 25/UT-2/1



Fig. UT-2

HTFT 03

Wheel brake wrench conical motor

Order No: 25/UT-3/1



Fig. UT-3

HTFT 04

Wheel brake extractor conical motor

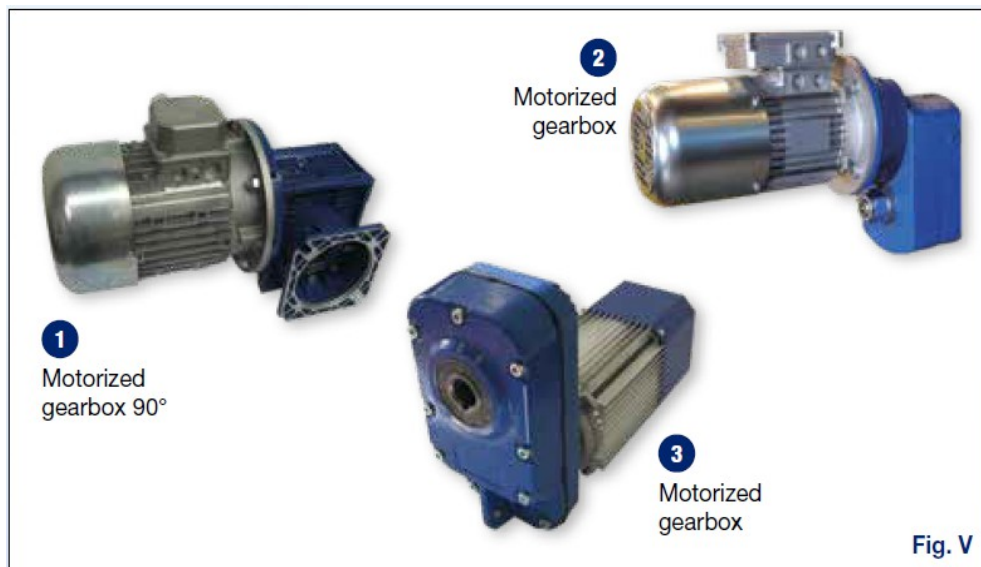
Order No: 25/UT-4/1



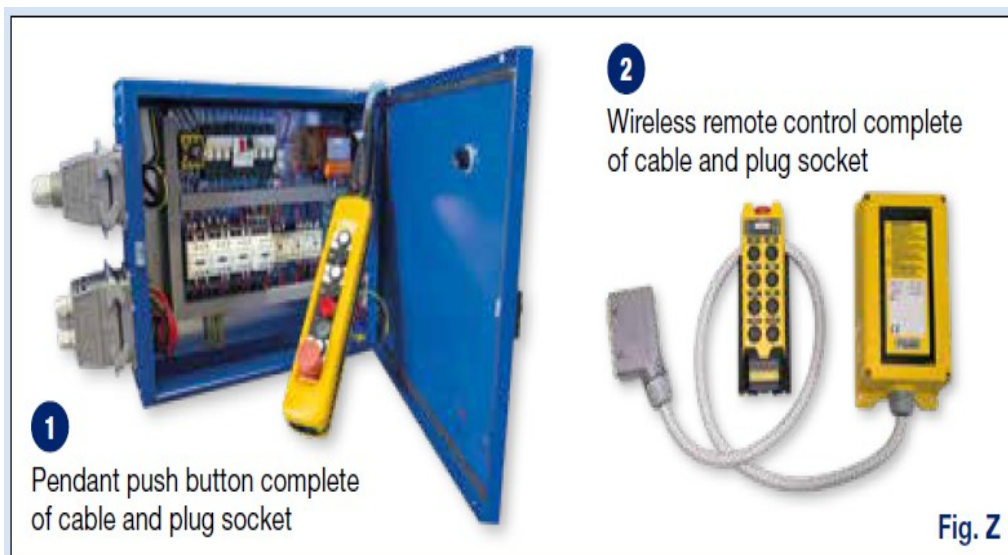
Fig. UT-4

END-TRUCKS - PUSH BUTTON BOXES

Pic. No:	Description:	Order Code:
1	Motorized gearbox 90°	26/V/1
2	Motorized gearbox	26/V/2
3	Motorized gearbox	26/V/3



Pic. No:	Description:	Order Code:
1	Pendant push button complete of cable and plug socket	26/Z/1
2	Wireless remote control complete of cable and plug socket	26/Z/2



SPARE PARTS' ORDER FORM

 MISIA PARANCHI S.r.l. VIA DEI LAVORATORI, 9/11 20092 CINISELLO B.MO MILANO ITALY			
PARANCO ELETTRICO A FUNE ELECTRIC ROPE HOIST		TIPO TYPE	
N° 94900		TYPE XM312NS4H7A/53a	
PORTATA CAPACITY	5.000 kg.	GRUPPO GROUP	ANNO DI FABBRICAZIONE MANUFACTURING YEAR
CORSA GANCIO HEIGHT OF LIFT	7 m.		POTENZA POWER
VELOCITA' SOLLEV. HOISTING SPEED	4/1.3 m/min.	FEM 2m	4.5/1.5 Kw
		ALIMENTAZIONE SUPPLY	415 V-50 Hz

WARNING!

Any spare parts' requirement must indicate the hoist's S/N.

Identification Code (*)

Example: **5 / B-1 / 1**
 ↓ ↓ ↓
 PAGE ITEM
 FIGURE

Hoist's S/N: _____
Hoist type: _____
Manufacturing year: _____
ITEM (*): _____ / _____ / _____ Units _____
ITEM (*): _____ / _____ / _____ Units _____
ITEM (*): _____ / _____ / _____ Units _____

Onrion LLC – USA

Impexron GmbH – Germany

Yusaki LLC – JAPAN

Impexron LTD – Bulgaria

Ozhat LTD – TURKEY

Partelli SRL – Italia

sales@ontrium.com

<https://www.ontrium.com>