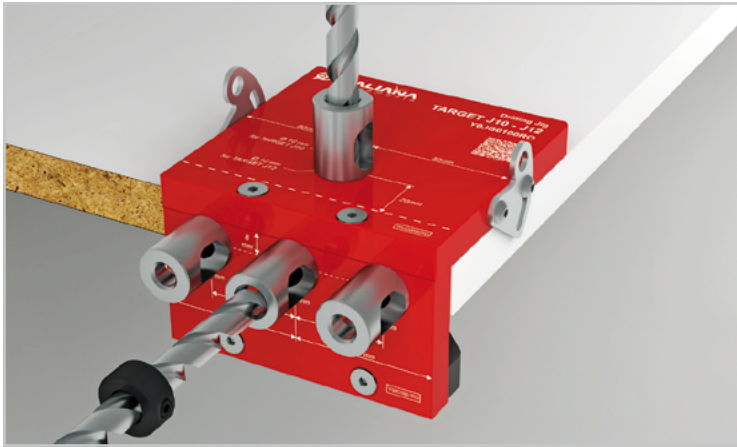
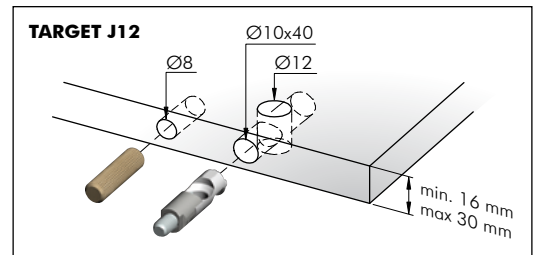
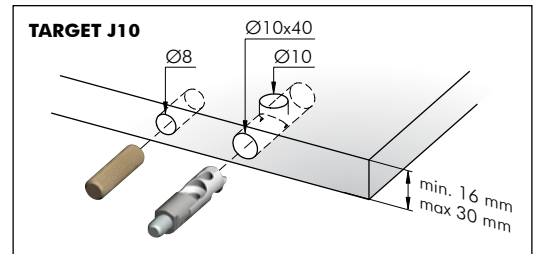
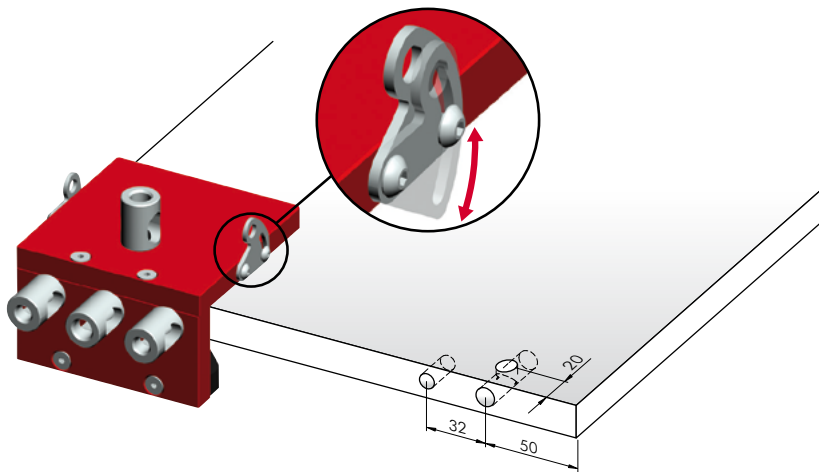


DRILLING JIG TARGET J10-J12

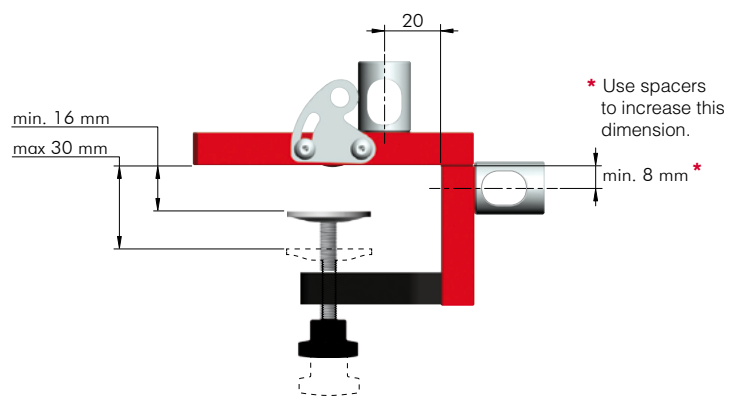
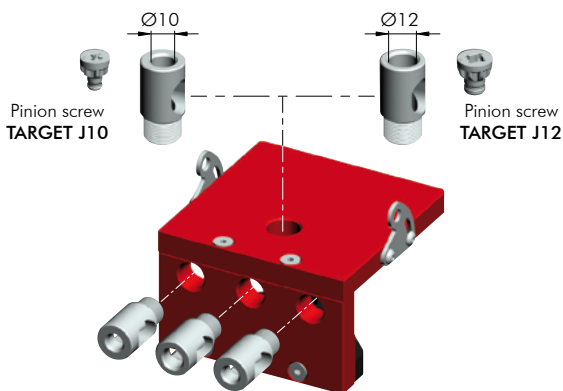


16 - 30 mm 

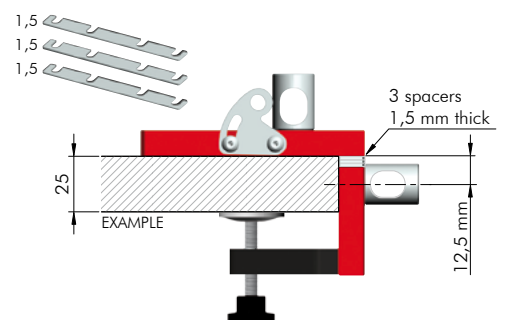
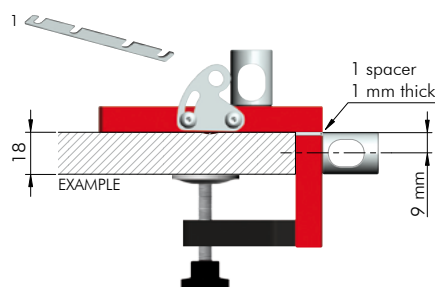
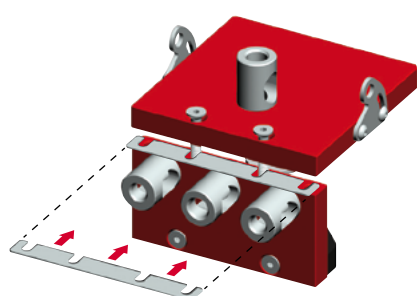
GENERAL SPECIFICATIONS

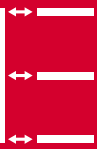


APPLICATION OPTIONS



DRILLING SPACERS FOR OTHER PANEL THICKNESSES





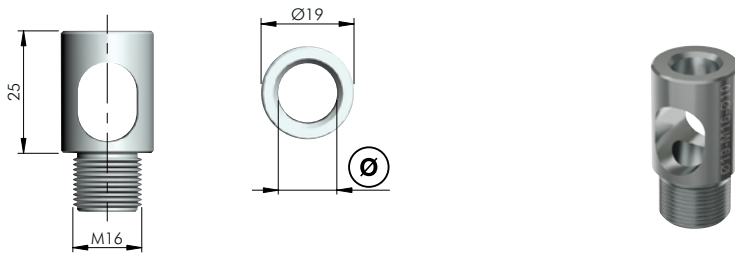
TARGET J10-J12 DRILLING JIG FOR PANEL THICKNESS 16 AND 18 mm



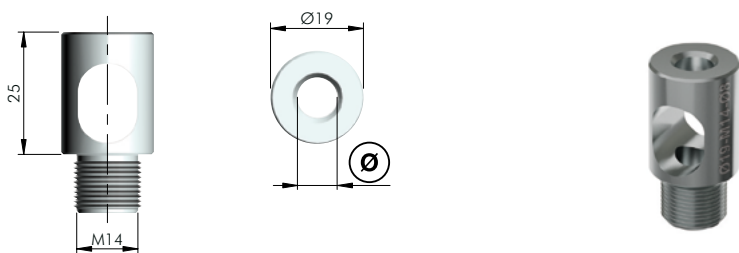
AL	ST	EP	= on request
Y0JG0100RO			

NOTE: The product code includes all the components shown in the picture.

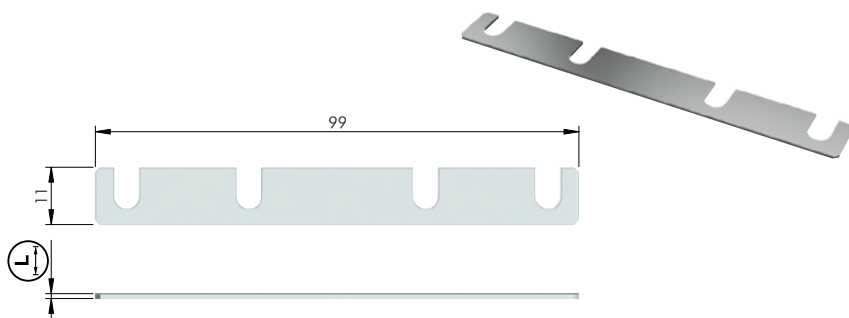
TARGET J10-J12 DRILLING JIG ACCESSORIES



= M16		
ST	= on request	
Y0JG0507ZN		Ø10
Y0JG0508ZN		Ø12



= M14		
ST	= on request	
Y0JG0505ZN		Ø8
Y0JG0506ZN		Ø10



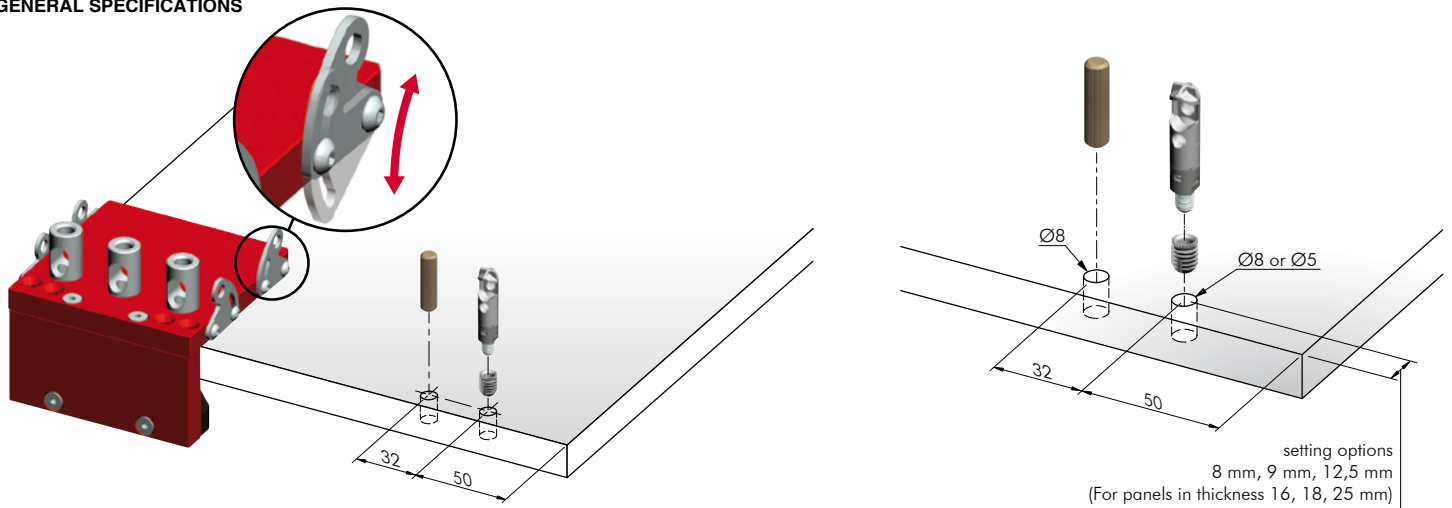
AL	= on request	
Y0JG0511GR		1
Y0JG0512GR		1,5

DRILLING JIG FOR SIDE PANELS

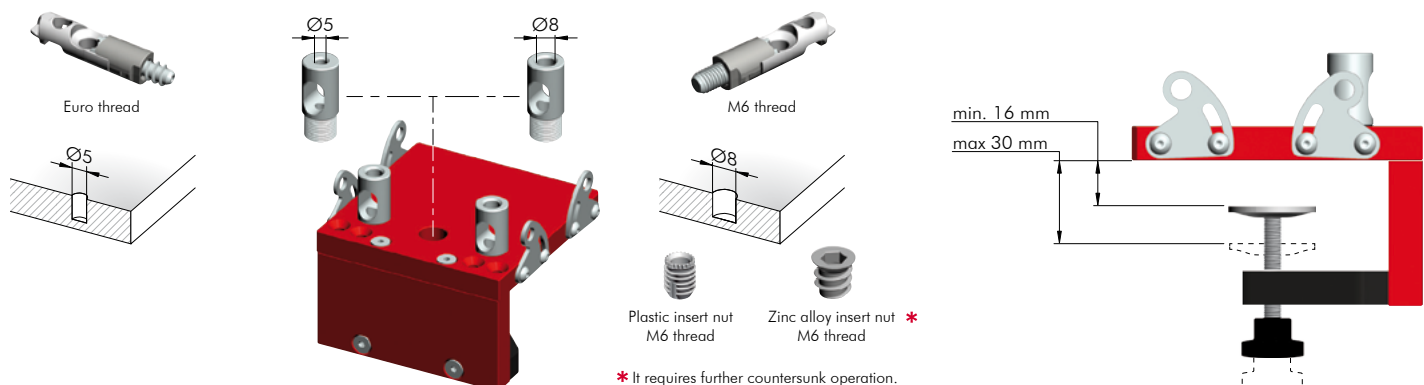
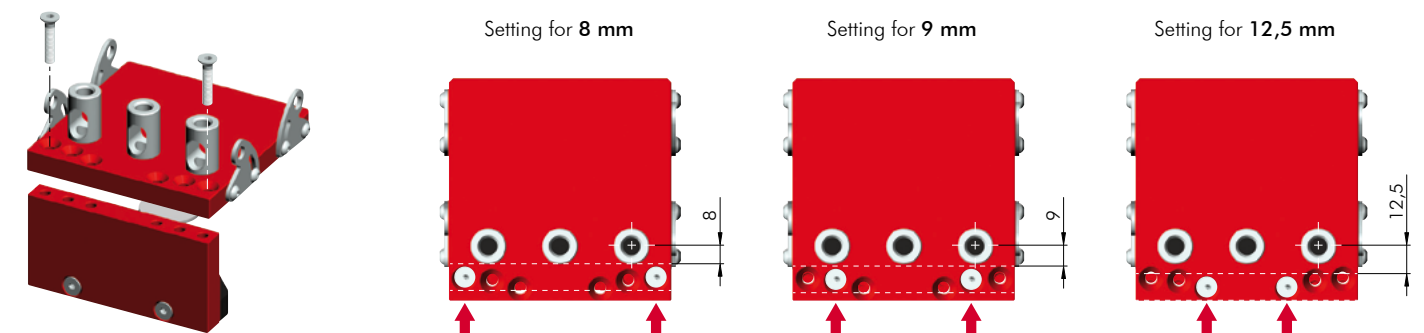


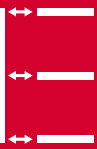
16 - 30 mm 

GENERAL SPECIFICATIONS

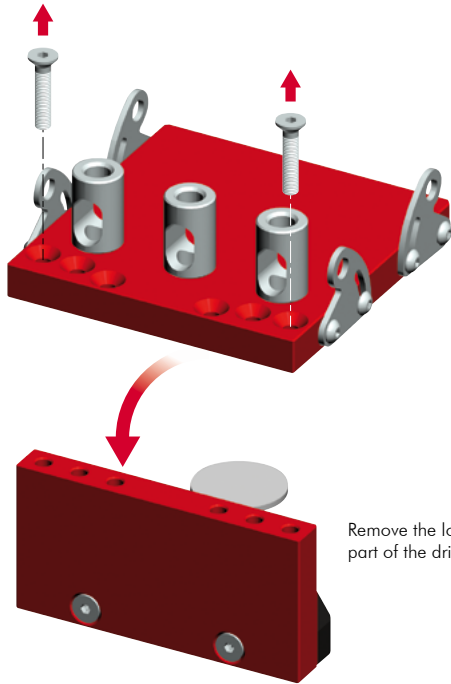


APPLICATION OPTIONS

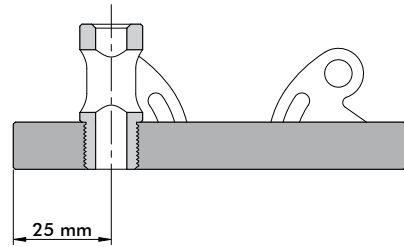
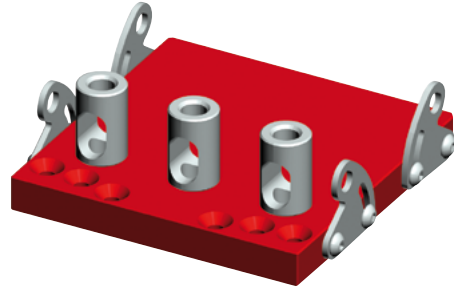




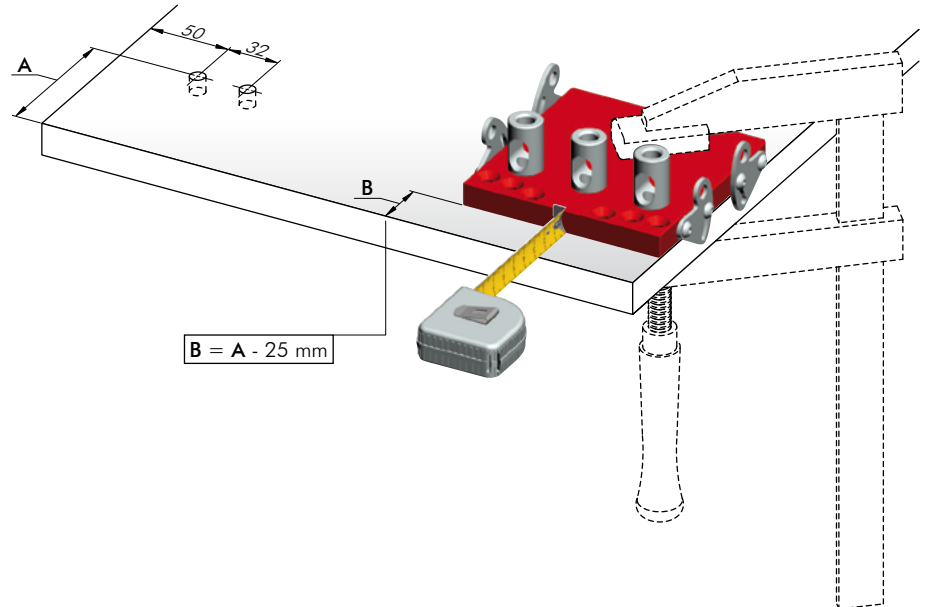
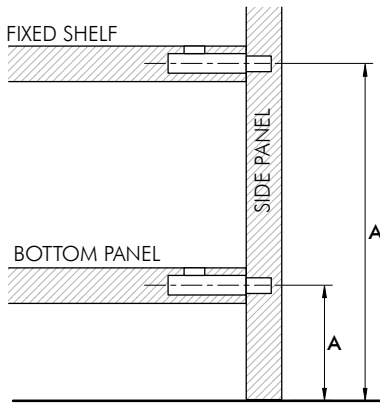
SETTING FOR ALTERNATIVE POSITIONS OF BOTTOM PANELS AND FIXED SHELVES



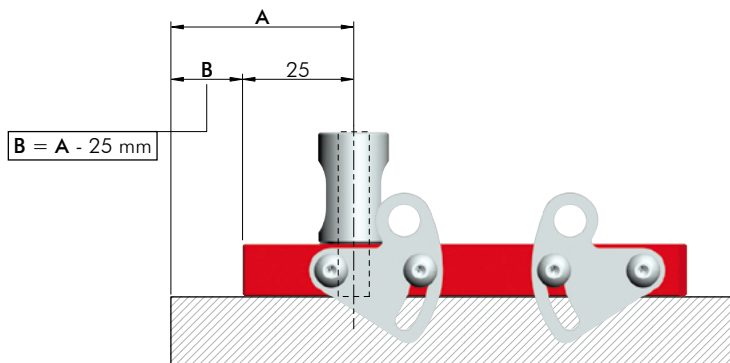
Remove the lower part of the drilling jig.



DRILLING JIG POSITIONING



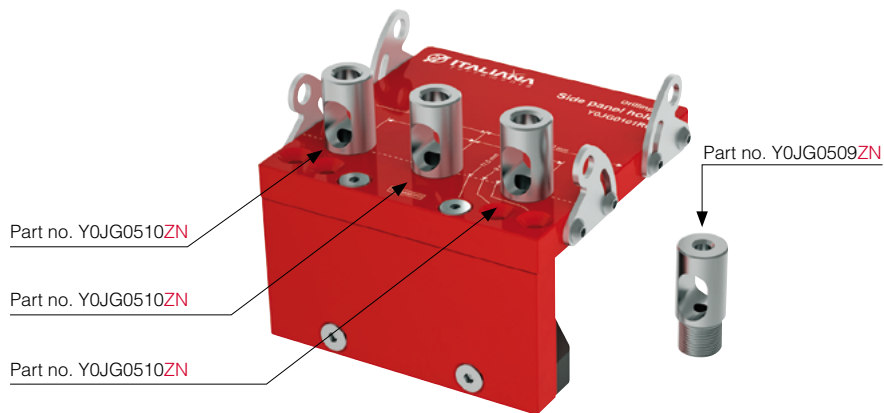
$B = A - 25 \text{ mm}$






$B = A - 25 \text{ mm}$



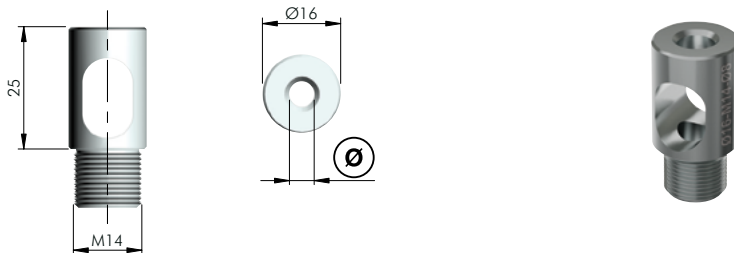
DRILLING JIG FOR SIDE PANELS








AL	ST	EP	 = on request
			
Y0JG0101RO			

NOTE: The product code includes all the components shown in the picture.





DRILLING JIG FOR SIDE PANELS ACCESSORIES

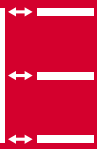


 = M14			 = on request
ST			
			
Y0JG0509ZN		Ø5	
Y0JG0510ZN		Ø8	

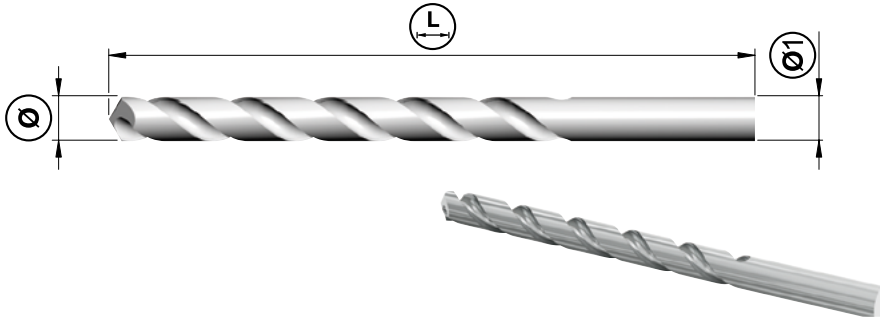
DRILLING JIG DEPTH STOP COLLARS



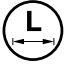



ST			 = on request
			
Y0JG051600		Ø5	
Y0JG051700		Ø8	
Y0JG051800		Ø10	
Y0JG051900		Ø12	



DRILL BITS



HSS		= on request	
			
Y0JG052700	Ø5	86	Ø5
Y0JG052800	Ø8	117	Ø8
Y0JG052900	Ø10	133	Ø10
Y0JG053000	Ø12	150	Ø10

NOTE: For drilling jig we recommend to use precision-ground steel drill bit HSS-G.