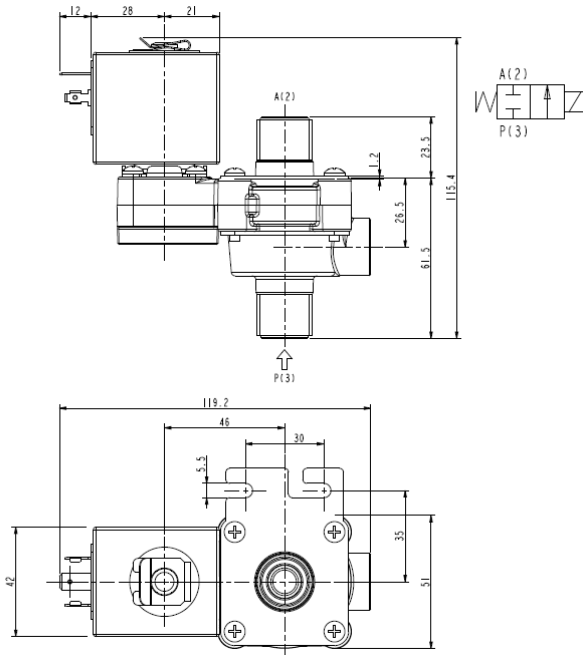




**SOLENOID VALVE - DRY**  
**2/2 - NC (Normally closed)**  
 Direct acting - Total isolation  
**G 1/2**

**D132**



**► GENERAL FEATURES**

Direct acting, total isolation solenoid valve: the actuator is totally isolated from the fluid so that the wetted parts are just the body and the diaphragm.

Possibility of disassembling for inspection.

Core duly coated by PTFE (polytetrafluoroethylene) based self lubricating material.

Suitable to shut off liquid and gaseous fluids (verify the compatibility of fluid with materials in contact).

**► TECHNICAL FEATURES**

Maximum allowable pressure (PS)	2 bar
Opening time	~30ms
Closing time	~30ms
Fluid temperature	-10°C +90°C
Max viscosity	5°E (~37 cStokes or mm <sup>2</sup> /s)

**► MATERIALS IN CONTACT WITH FLUID**

Body	PPS (see notes)
Sealing	EPDM or FPM

**► COIL**

Continuous duty	ED 100%
Encapsulation material	PET (polyethylene) fiberglass reinforced
Coil insulation class	F (140°C)
Ambient temperature	-10°C +60°C
Electric connections	DIN 46340 – 3 poles connectors (EN175301-803)
Protection degree	IP 65 (EN 60529) with plug connector
Voltages	DC 12-24V (+10% -5%)
	AC 24V/50Hz - 110V/50Hz (120V/60Hz) - 230V/50Hz (+10% -15%)
	(Other voltages and frequencies on request).

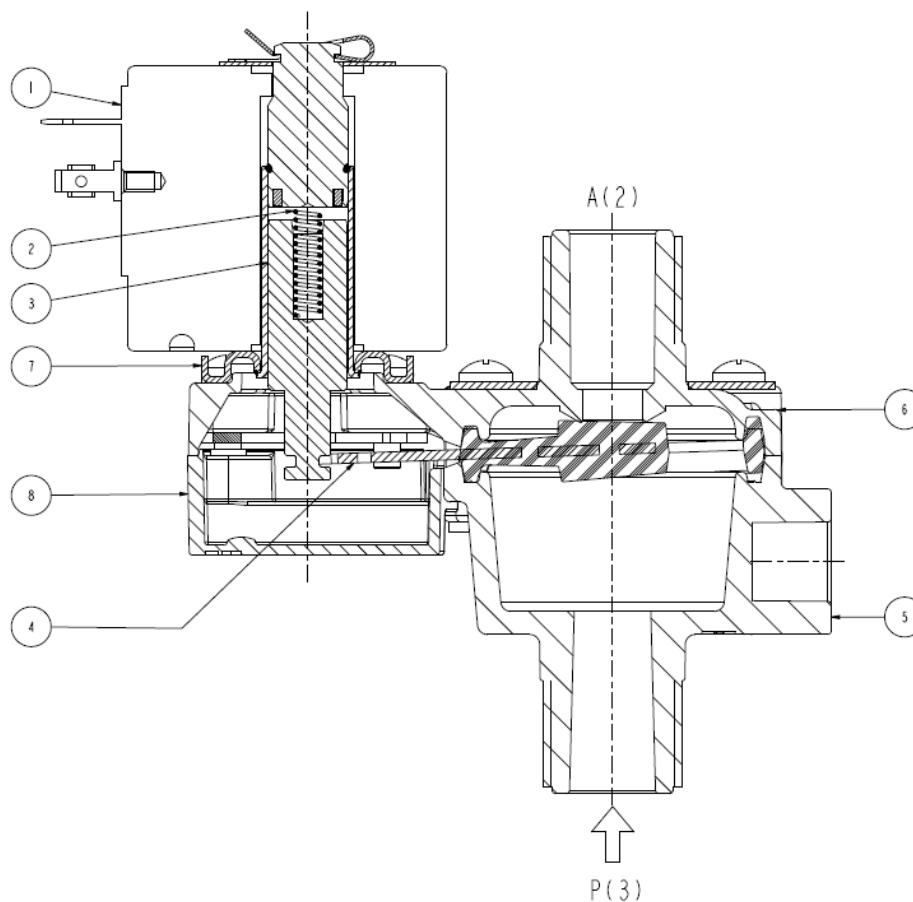
Port size ISO 228	Orifice size (mm)	Differential pressure (bar)						Kv (m <sup>3</sup> /h)	Series and type		Power absorption			Sealings	Notes	Weight (kg)
		Δp min	Δp max				Valve		Coil	AC (VA)		DC (W)				
			Gases		Liquids					Inrush	Holding					
			AC	DC	AC	DC										
G 1/2	9	0	1,6	0,25	1,6	0,25	1,6	D132D23	Z130A	44	24	13	EPDM	-	0,530	
								D132V23								FPM

**► NOTES**

- Sealings : EPDM = Ethylene-propylene elastomer FPM = Fluoro-carbon elastomer
- Body: PPS (Polyphenylene-sulfide) fibreglass reinforced, WRAS/KTW and NSF approval

# D132

## ► SPARE PARTS



### Kit description

### Kit P.N.

### Consisting of:

Body kit		G2986604	Upper body pos.6 Lower body pos.5
Core kit		G2992801	Core return spring pos.2 Core pos.3
Lever seal	D132D23 D132V23	3037305R 3037301R	Lever seal pos.4
Cover		2985703R	Cover pos.8
Kit guide assembly		G31523	Guide assembly pos.7 Coil clip
Coil		Z130A	Coil pos. 1

## ► INSTALLATION

- Solenoid valve can be mounted in any position; vertical with coil upwards preferred.
- In case of disassembling for usual maintenance, the fixing screws have to be tightened at 1,5 Nm max torque.
- Maximum driving torque of the pipe fittings for thread connections = 15Nm.