



## TRAXIFLEX®

Natural frequency : (1)  
8 à 10 Hz

See Vibrachoc  
metallic range :  
VE101 - VE111  
VE112 - VE113

## DESCRIPTION

The TRAXIFLEX® hanger comprises two metallic U armatures joined by two bonded rubber blocks. It is available in two versions : male/female and female/female.

## OPERATION

The design of the TRAXIFLEX® hanger gives the following basic characteristics :

- rubber works in compression-shear;
- the same deflection under nominal load for all types;
- safety system in case of elastomer failure.

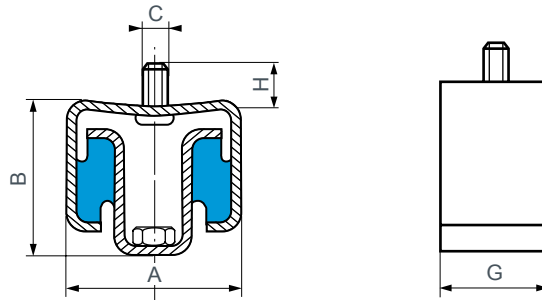
### Advantages

- Economic solution for suppressing structure borne noise.
- Several fixing methods.
- High resistance to atmospheric exposure :
  - galvanised armatures;
  - chloroprene elastomer.
- Upper metallic part is shaped to simplify orientation while fixing.
- Two hardnesses of elastomer to extend the choice of mounting as a function of load.
- Filtration of vibration and the attenuation of the consequent noise.
- Allows movement due to thermal expansion.

1) the indicated natural frequency, are valid for the maxi loads of the ranges of use quoted in the paragraph : TECHNICAL CHARACTERISTICS.



# DIMENSIONS



Type	Reference		Hardness Shore A	A (mm)	B (mm)	C	G (mm)	H (mm)
	1 screw - 1 nut	2 nuts						
TR 12-30	535600	-	45-60	47	38	M7 x 1,50	16	7
TR 12-30	<b>535603/61*</b>	-	60	47	38	M6 x 1,00	16	17
TR 12-30	<b>535603</b>	-	45	47	38	M6 x 1,00	16	17
TR 12-30	-	<b>535623/61</b>	60	47	38	M8 x 1,25	16	17
TR 40-80	<b>535611</b>	<b>535621*</b>	45-60	55	47	M8 x 1,25	30	13
TR 100-250	<b>535612</b>	<b>535622</b>	45-60	74	50	M12 x 1,75	40	17

See current price list for availability of items.

\* Elastomer resistant to fire M1.

# OPERATING CHARACTERISTICS

Recommended load (daN)	Deflection (mm)	Reference		Hardness Shore A
		1 screw - 1 nut	2 nuts	
4-18	4	535600	-	45
4-18	4	<b>565603</b>	-	45
7-30	4	565600	-	60
7-30	4	<b>535603/61*</b>	-	60
10-52	4	<b>535611</b>	<b>535621</b>	45
20-80	4	<b>535611</b>	<b>535621</b>	60
20-80	4	<b>535611*</b>	<b>535621</b>	60
20-92	4	<b>535612</b>	<b>535622</b>	45
30-136	4	<b>535612</b>	<b>535622</b>	60

TRAXIFLEX® mounts have been subjected to acoustic trials at the Centre Expérimental de Recherches et d'Études du Bâtiment et des Travaux Publics which has given the P.V nr. 554.6.078.

\* Elastomer resistant to fire M1.

# ASSEMBLY

When fixing, ensure that all the TRAXIFLEX® hanger are supporting the same load. It is necessary to ensure that they are all the same distance from the fixing surface (ceiling, girder, plank...).

TRAXIFLEX® mounts can be used to suspend pipework : the whole assembly being fixed to the ceiling.

- suspending hot air ducts;
- suspending a fan unit and distribution ducts;
- suspending a hot air generator with continuous airflow;
- suspending an integral cased air conditioner.



**HUTCHINSON**  
PAULSTRA

PAULSTRA - 61 rue Marius AUFAN - 92309 Levallois-Perret Cedex - France - T. +33 1 40 89 53 31 - F. +33 1 47 25 28 96  
www.paulstra-industry.com