

Trombetta's Intermittent Duty PowerSeal – The #1 DC Contactor for Hydraulic Power Pack Switching

For over 25 years, Trombetta has provided Hydraulic Power Pack OEMs with the best performing, most valued DC Contactors in the market. Our acclaimed PowerSeal is the muscle that drives hydraulic power packs on your tractors, pallet jacks, tailgate lifts, snow plows and other applications.

Our mission is to provide high quality DC Power Switches to match your specific hydraulic power pack's needs.

Switch to Trombetta.



Trombetta PowerSeal

TROMBETTA 
DC Power Solutions for a Harsh World

PowerSeal Specifications

Coil Terminals	1 (Grounded) or 2 (Ungrounded): 10-32 Studs
Contact Studs	5/16-24 Studs
Mounting Bracket	L, Flat, 90°, L Flat, L Curved, and Flat L Wide
Standard Operating Temperature Range	-40° C to 82° C

Coils

Contact

Model	Max Sustained Duty Cycle ¹	Max On Time	Pull In Voltage ²	Hold Voltage ²	Coil Resist Ohms	Resistive Load Carry/Interrupt Capability (Amps) ³	Inductive Load Carry/Interrupt Capability (Amps) ³	Peak Inductive Inrush Capability (Amps) ⁴	Electrical Cycle Life	Contact Material
12V Intermitt.	25%	6 min.	6	3.5	5.4	150/250	150/250	800	100,000	Copper
24V Intermitt.	25%	6 min.	12	7.0	20.1	150/250	150/250	800	60,000	Copper

¹Nominal coil voltage applied starting from 25° C DC Contactor temperature. Duty Cycle=On Time/(On Time + Off Time). ² Voltages listed are minimum required at 25° C coil temperature. Minimum voltage requirements will increase with coil temperature. ³ Amps at Max Duty Cycle. ⁴ Risettime ≥ 3 milliseconds to 80% of peak inrush with linear decay to run (carry) current in ≤.1 seconds.

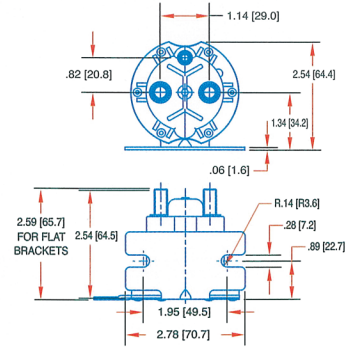
Enter Complete Part Number Below –

Ordering Information • Some configurations are not available. Contact your Trombetta sales rep before ordering.

Family	Coil Connection Configuration	High Current Stud	Coil Voltage	Bracket Type	Bracket Location	Duty Cycle	Contact Material	Sealing
<input checked="" type="checkbox"/>	<input checked="" type="checkbox"/>	<input checked="" type="checkbox"/>	<input checked="" type="checkbox"/> <input checked="" type="checkbox"/>	<input checked="" type="checkbox"/>	<input checked="" type="checkbox"/>	<input checked="" type="checkbox"/>	<input checked="" type="checkbox"/>	<input checked="" type="checkbox"/>
6- Power Seal	3- Grounded 10/32 8- Non-Grounded (2) 10/32	4- Standard Power Seal	12- 12 Volt 15- 15 Volt 24- 24 Volt 36- 36 Volt 48- 48 Volt	1- L Bracket, Curved 2- Flat Bracket 3- Curve Bracket 4- 90 Degree Bracket 5- L Bracket, Flat 6- L Bracket Curved Narrow 7- L Bracket Flat, Long	1- Standard	0- 100% Continuous 2- 25%	1- Intermittent Duty & 12V Continuous Duty - Copper, 24, 36& 48V Continuous Duty, Silver Alloy Stationary Contacts with Silver Alloy Plated Moveable Contacts.	2- Sealed Design

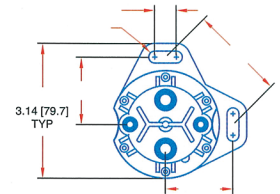


L Flat Bracket



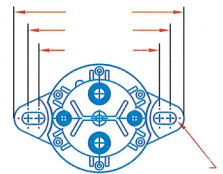
90° Bracket

Refer to L Bracket configuration for additional dimensions.

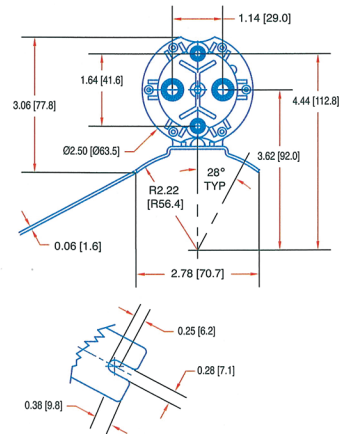
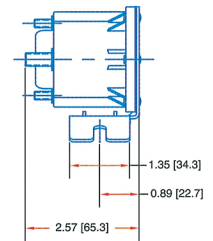


Flat Bracket

Refer to L Bracket configuration for additional dimensions.



L Bracket



Other brackets are available. Please see our web site (www.trombetta.com) for additional drawings.