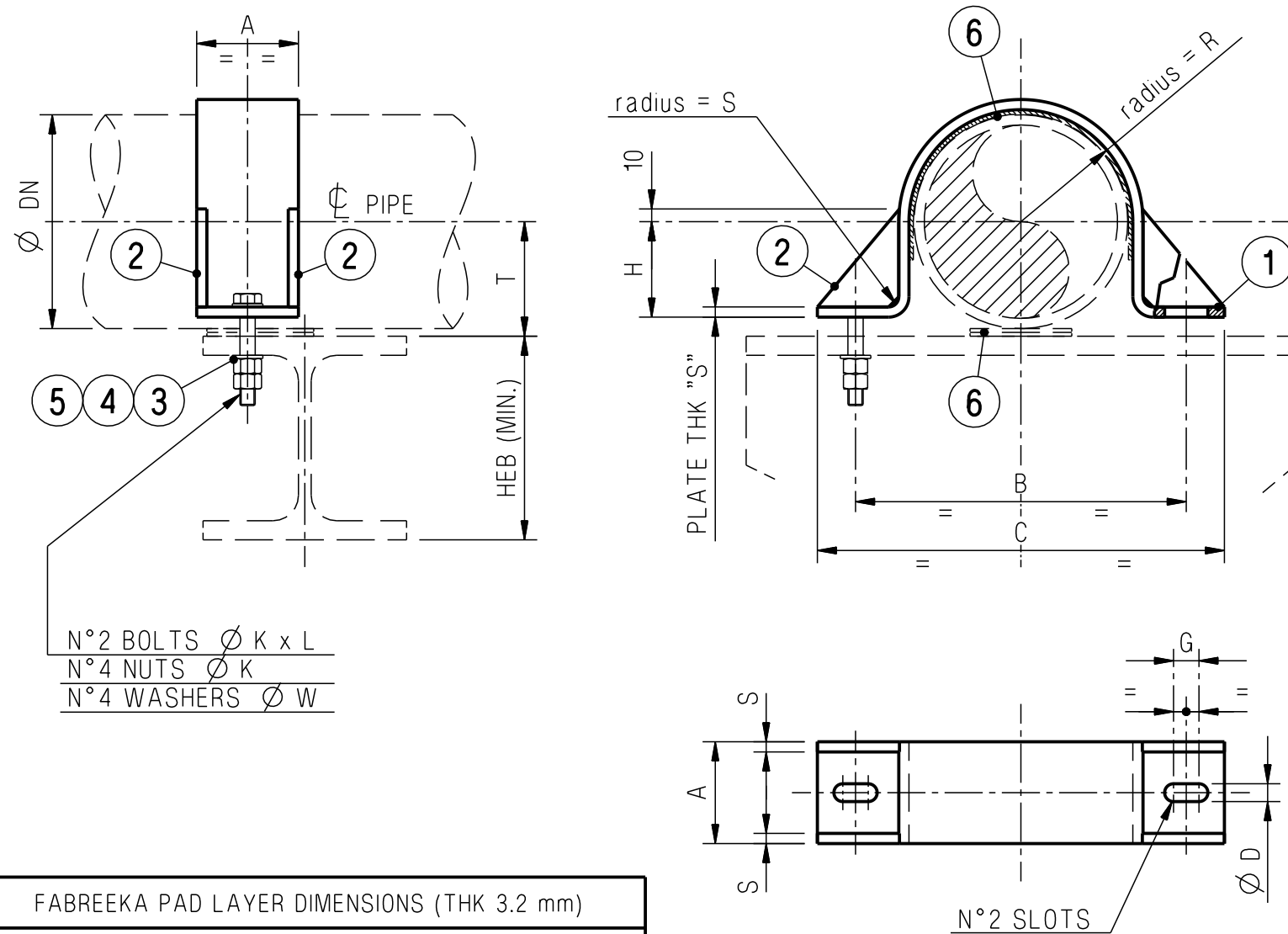
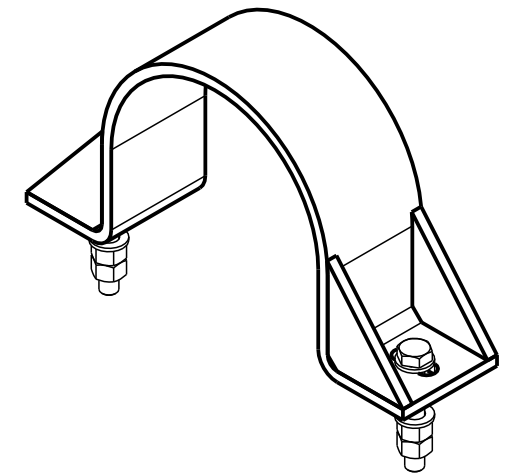


SUPPORT TYPE	MAX RATING	PIPE Ø DN	HOLD DOWN CLAMP									HEB (MIN.)	BOLTING			TIGHTENING (Nm)		WEIGHT (Kg.)	N.P. CODE
			A	B	C	D	G	H	R	S	T		K	L	W	MIN	MAX		
HD1	2500#	1 1/2"	60	120	160	12	12	20	28	6	30	100	M10	70	10.5	20	25	0.8	SRP9704182
HD2	2500#	2"	60	130	170	12	12	25	34	6	36	120	M10	70	10.5	23	28	1.2	SRP9704183
HD3	2500#	3"	70	180	230	14	20	40	48	8	50	120	M12	80	13	28	33	2	SRP9704184
HD4	2500#	4"	70	200	250	14	20	50	61	8	63	140	M12	80	13	28	38	2.3	SRP9704185
HD5	2500#	6"	80	280	340	14	26	75	88	10	90	160	M12	80	13	28	38	4.5	SRP9704186
HD6	1500#	8"	100	340	420	18	26	100	113	10	115	160	M16	90	17	10	25	7.5	SRP9704187
HD7	900#	10"	100	400	480	18	30	125	140	10	142	180	M16	90	17	10	28	10	SRP9704188
HD8	600#	12"	100	450	540	18	30	150	166	10	168	200	M16	90	17	10	33	12	SRP9704189
HD9	300#	14"	120	500	600	22	30	165	181	12	184	200	M20	100	21	13	43	18	SRP9704190
HD10	300#	16"	120	560	660	22	30	190	207	12	209	200	M20	100	21	13	50	20	SRP9704191
HD11	300#	18"	140	610	710	22	40	215	232	12	235	220	M20	100	21	13	55	25	SRP9704192
HD12	150#	20"	140	660	760	22	40	240	258	12	260	220	M20	100	21	13	60	28	SRP9704193
HD13	150#	24"	140	780	900	26	40	290	308	12	311	240	M24	120	25	15	75	33	SRP9704194



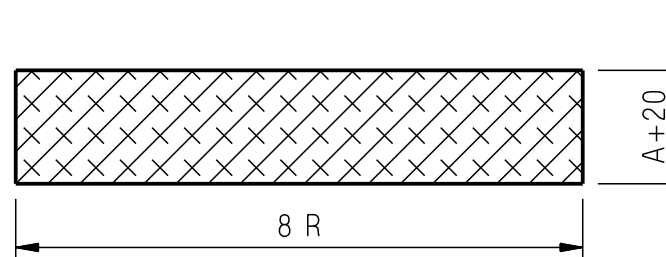
BILL OF MATERIALS			
ITEM	N°	DESCRIPTION	MATERIAL
1	1	PLATE THK "S"	S275JR
2	4	PLATE THK "S"	S275JR
3	2	BOLTS "K" x "L" (FULLY THREADED)	8.8 (GALV.)
4	4	NUTS "K"	6.S (GALV.)
5	4	WASHERS "W"	R40P (GALV.)
6	1	FABREEKA PAD RUBBER THK 3.2 mm	RUBBER

(GALV.) = GALVANIZED ACC. TO Fe/Zn 12 c2C ISO4042.

NOTES :

- DIMENSIONS DEVIATION WITHOUT TOLERANCE INDICATIONS ACCORDING TO ITN02312.
- GALVANIZED ACC. TO Fe/Zn 12 c2C ISO4042.
- CONSTRUCTION AND TEST ACCORDING TO SOP5684190/4.
- FABREEKA PAD RUBBER (THK 3.2 mm) FOR REFINERY APPLICATION, SUITABLE FROM -30°C TO 150°C.
- RUBBER PAD LAYER SHALL BE CUT DURING ERECTION.

FABREEKA PAD LAYER DIMENSIONS (THK 3.2 mm)



GE Oil & Gas	TITLE: STANDARD SUPPORTS HOLD DOWN TYPE	DOCUMENT CODE <b>SOP3885898</b>	REVISION <b>0</b>
	REVISION DESCRIPTION: ISSUE	DATE 12-APR-12	APPROVED Salvadori P. CHECKED Minnucci C. EXECUTED Puri, Stefano
	SCALE N/A	REPLACES / DERIVED FROM	1 <sup>st</sup> ISSUE 12-APR-12
THIS DOCUMENT IS AND CONTAINS CONFIDENTIAL AND PROPRIETARY INFORMATION OF Nuovo Pignone S.r.l. WHICH SHALL NOT BE USED OR DISCLOSED TO OTHERS, EXCEPT WITH THE WRITTEN PERMISSION OF Nuovo Pignone S.r.l. UNPUBLISHED WORK © 2012 Nuovo Pignone S.r.l. ALL RIGHTS RESERVED			ORIGINAL JOB 0809021 SIZE 3 LANGUAGE A SHEET 1 of 1