

# MDA 460 | 462 | TDA 463

## Tlakové snímače

*HIGH ACCURACY, SIMPLE INSTALLATION,  
REPEATABILITY AND RELIABILITY*



### Description

MDA 460 Series Sensors 462 | TDA 463 are sensors with  $\pm 1.00\%$  accuracy that are ideal for applications requiring accuracy, easy installation, repeatability and reliability. This entire range of sensors provides an industry standard with a 3.33 mV / V output signal designed to work with most pressure indicators and regulators. The MDA 46x sensors are equipped with a 6-pin Bendix connector.

The sensors can also be equipped with a temperature thermocouple or RTD. The designation of such a sensor changes to TDA. The sensors are threaded 1 / 2-20 UNF for installation in standard mounting holes or M18x1.5 and can be supplied with a range of electrical connections if required.

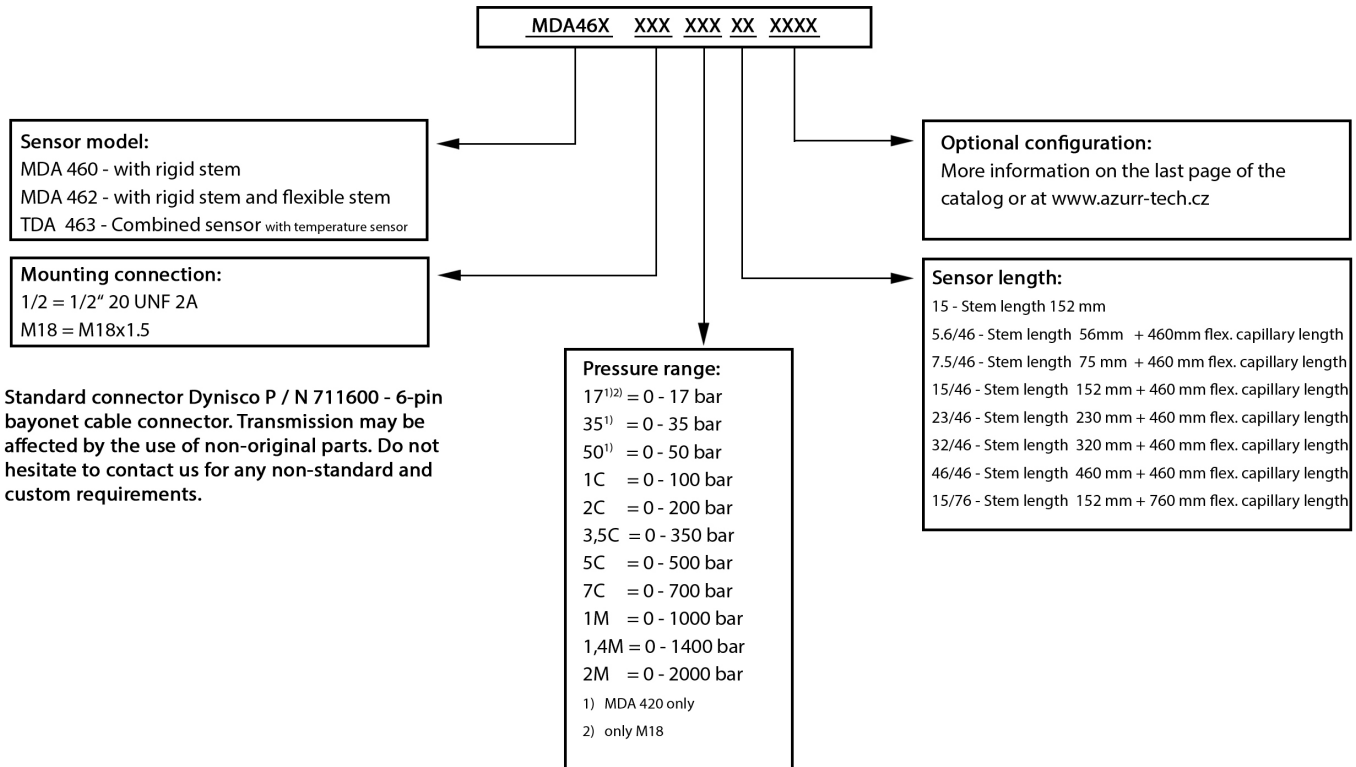
### Features

- Accuracy better than  $\pm 1.0\%$  of total range
- DyMax® membrane coating
- Proven sensor design
- Excellent thermal stability and repeatability
- 0-17 to 0-2000 bar
- Internal 80% R-cal calibration

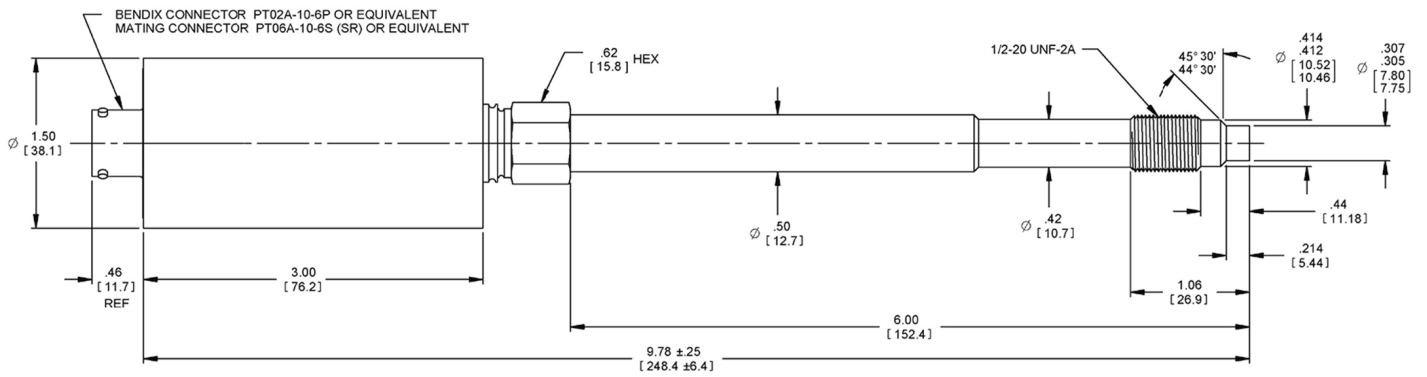
Performance Characteristics	
Pressure Range:	0-17 bar to 0-2000 bar
Accuracy:	±1% f.s.v.
Repeatability:	MDA462 ±0.2% f.s.v.
Resolution:	Infinte
Maximum Overload (without influencing operating data):	2x pressure range for range 1000 and 1400 bar max. 1750 bar and max. 2400 bar for range 2000 bar
Burst Pressure:	6x pressure range max. 3000 bar
Material in Contact with Media:	15-5 PH SST (Mat. No. 1.4545) DyMax® coated

Temperature Influence	
Diaphragm	
Max. Temperature:	400°C
Zero Shift Due to Temperature Change:	MDA462 <0.4 bar / 10°C
Housing	
Max. Temperature:	120°C
Zero Shift Due to Temperature Change:	MDA462 ±1.0% f.s.v./10°C
Sensitivity Shift Due to Temperature Change:	MDA462 ±0.4% f.s.v./10°C
Electrical Characteristics	
Configuration:	4-arm Wheatstone bridge strain gage
Internal Shunt Calibration:	80% f.s.v ±1.0% MDA462
Output Signal:	3.33 mV/V
Supply Voltage:	10 V DC, max. 12 V DC
Zero Balance:	±10% f.s.v MDA460
Strain Resistance:	350Ω
Leakage Resistance:	1000MΩ at 50 Vdc

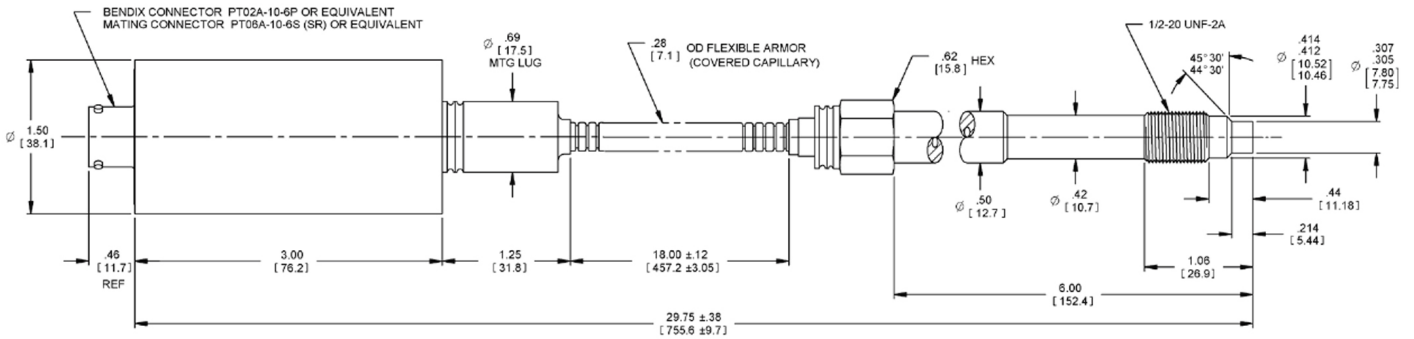
### Ordering Guide for MDA 460 | 462 | TDA 463 Pressure Sensors



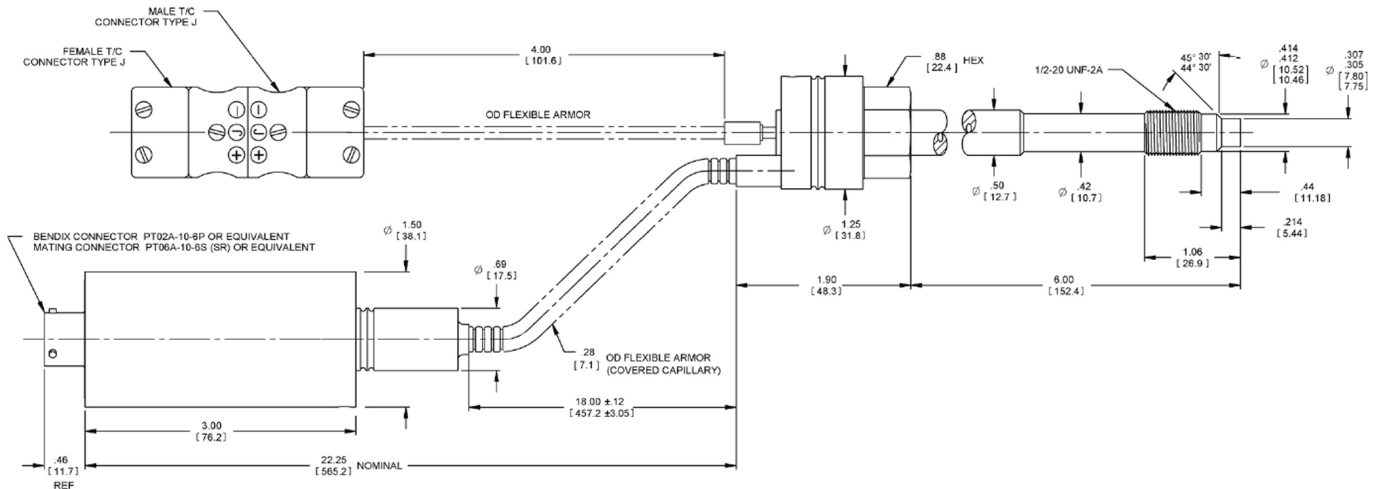
**MDA460**



**MDA 462**



**TDA 463**



**Azurr-Technology, s.r.o.**

Dolní Bečva 579 Tel.: +420 571 647 228  
756 55 Tel.: +420 571 647 310  
Česká republika Email: info@azurr-tech.cz  
www.azurr-tech.cz



Všechny rozměry jsou uvedeny v palcích (mm), pokud není uvedeno jinak. © 2016. Společnost Dynisco si vyhrazuje právo provádět změny bez předchozího upozornění. Přístup k dokumentům jako jsou návody k obsluze a jiné podpůrné dokumenty naleznete na [www.dynisco.com](http://www.dynisco.com)  
Rev:1216