

Model	Description
AX236	ON/OFF room thermostat for conditioning and 3 fan speed

APPLICATION AND USE

The AX236 room thermostat is used in conditioning plant and it is particularly suitable for residential and office applications.

MANUFACTURING CHARACTERISTICS

The AX236 room thermostat is composed of a white ABS housing and a base containing the electronic card and terminal board.

INSTALLATION AND START-UP

Mount the apparel at approximately 1.5 m from the floor in a zone reflecting the room average temperature.

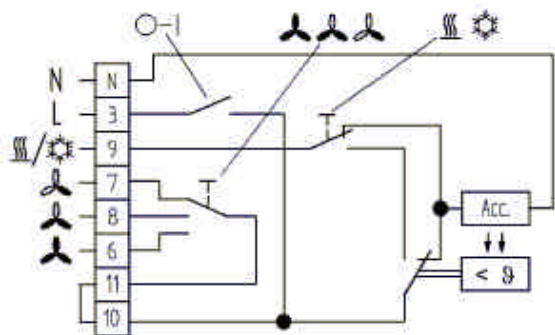
Avoid mounting in air stagnation areas, near doors, windows and heat sources.

Mount the apparel on wall through the two holes on the base (see overall dimensions) accessible by removing the cover.

ELECTRICAL CONNECTIONS

The terminal board is accessible by removing the cover. Perform the wiring according to the following diagrams and in compliance with existing standards. Use cables having 1 mm² minimum cross section.

WIRING DIAGRAM



TECHNICAL CHARACTERISTICS

Power supply	230 V~ 50 - 60 Hz
Temperature	5T30 °C
Switch	ON/OFF - fan speed high/med/low - Heat/Fan/Cool
Outputs	Heat/Cool Fan speed high/med/low
Max load	3A
Temperature sensor	bimetal
Contact	SPDT
Mounting	on wall
Protection degree	IP 30 isolated (DIN 40050)
Product conforms to EMC 89/336 directive according to the below-mentioned standards: for emission EN 50081-1 for immunity EN 50082-1	

- = ON
- | = OFF
- ⋊ = Fan high
- ⋋ = Fan medium
- ⋌ = Fan low
- ⊞ = Heat
- ⊚ = Cool

DIMENSIONS (mm)

