



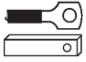
LOVATO ELECTRIC S.P.A.



- I** CONTATTORI
- GB** CONTACTORS
- D** SCHÜTZE
- CN** 接觸器產品.

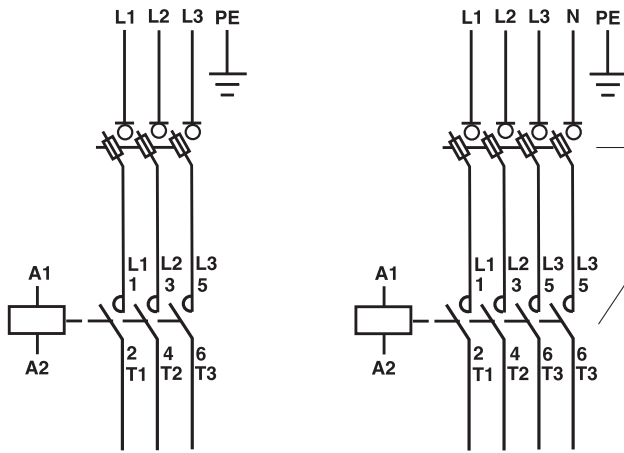


B115 - B145 - B180 - B250 - B310 - B400 - B500 - B630 - B630 1000

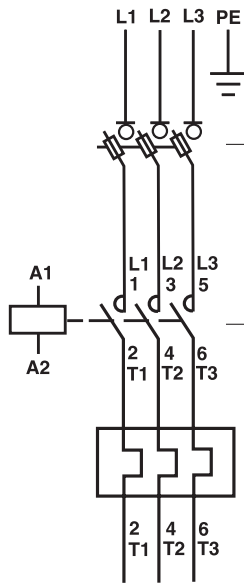
	Ith AC1			 [mm ²]	Ie AC3 [A]	Ie AC3						
	≤40°C [A]	≤55°C [A]	≤70°C [A]			230V [kW]	400V [kW]	415V [kW]	440V [kW]	500V [kW]	690V [kW]	1000V [kW]
B115	160	150	110	70	110	33	61	66	70	80	100	63
B145	250	235	190	120	150	46	80	88	93	100	120	75
B180	275	250	200	150	185	57	100	108	115	123	144	103
B250	350	300	250	185	265	83	140	155	164	176	212	156
B310	450	370	300	2x150 2 ∇ 30x5	320	100	170	188	200	213	256	180
B400	550	430	360	2x185 2 ∇ 25x8	420	130	225	247	263	271	352	208
B500	700	550	500	2x240 2 ∇ 50x5	520	156	290	306	328	367	416	312
B630	800	640	540	2x240 2 ∇ 50x5	630	198	335	368	368	368	440	368
B630 1000	1000	850	700	2 ∇ 60x5	—	—	—	—	—	—	—	—

	UL/CSA General (purpose) use [A]	UL/CSA Fuse class Type / [A]	UL/CSA Short circuit current [kA]	UL/CSA Three phase [HP]			
				200-208V	240V	480V	600V
B115	160	RK5 / 500	5	30	40	75	100
B145	250	RK5 / 500	5	50	50	100	125
B180	275	RK5 / 500	10	60	75	150	150
B250	350	L / 800	18	75	100	200	250
B310	450	L / 800	18	100	125	250	300
B400	550	L / 800	18	125	150	350	400
B500 ①	700	L / 1200 ①	18 ①	150 ①	200 ①	400 ①	450 ①
B630 ①	800	L / 1500 ①	18 ①	200 ①	250 ①	500 ①	500 ①
B630 1000	1000	L / 1500 ①	18 ①	For resistive duty only.			

① No UL/CSA ratings for indication and reference purposes only.



gG 200A	gG 315A	gG315A	gG 400A	gG 500A	gG 500A	gG 800A	gG 1000A	gG 1000A
B115	B145	B180	B250	B310	B400	B500	B630	B630 1000

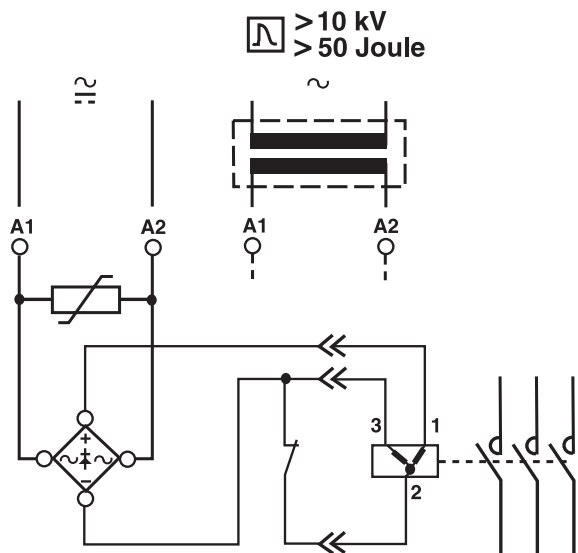


gG 160A aM 100A	gG 200A aM 125A	gG 250A aM 160A	gG 315A aM 200A	gG 400A aM 250A	gG 500A aM 315A	gG 630A aM 500A
B115 B145 B180	B115 B145 B180	B115 B145 B180	B145 B180 B250 B310 B400	B180 B250 B310 B400	B250 B310 B400	B250 B310 B400
60-100A	75-125A	90-150A	120-200A	150-250A	180-300A	250-420A

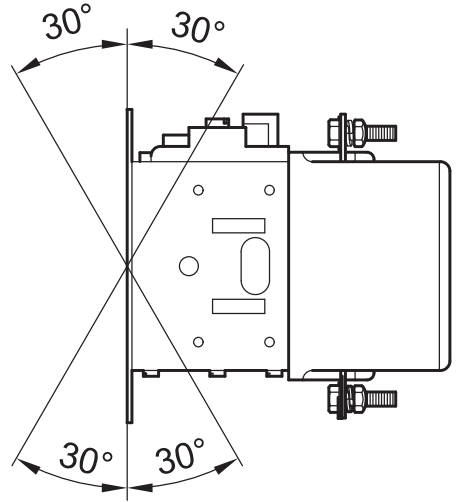
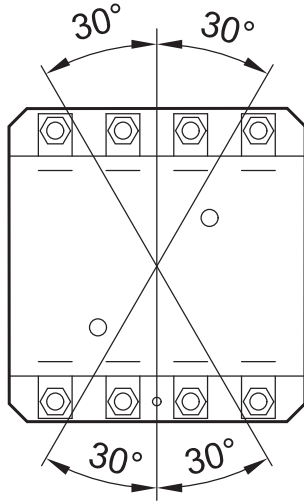
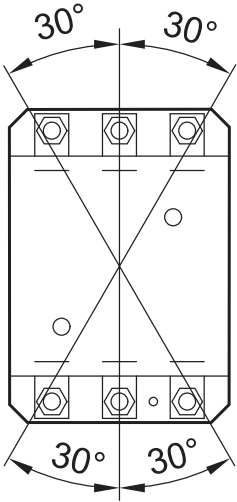
Application note:

The input electronic circuit of the contactor coil is designed and tested according to IEEEC 62.41 and will withstand a 10kV impulse (1.2/50µs) with 50 Joule energy.

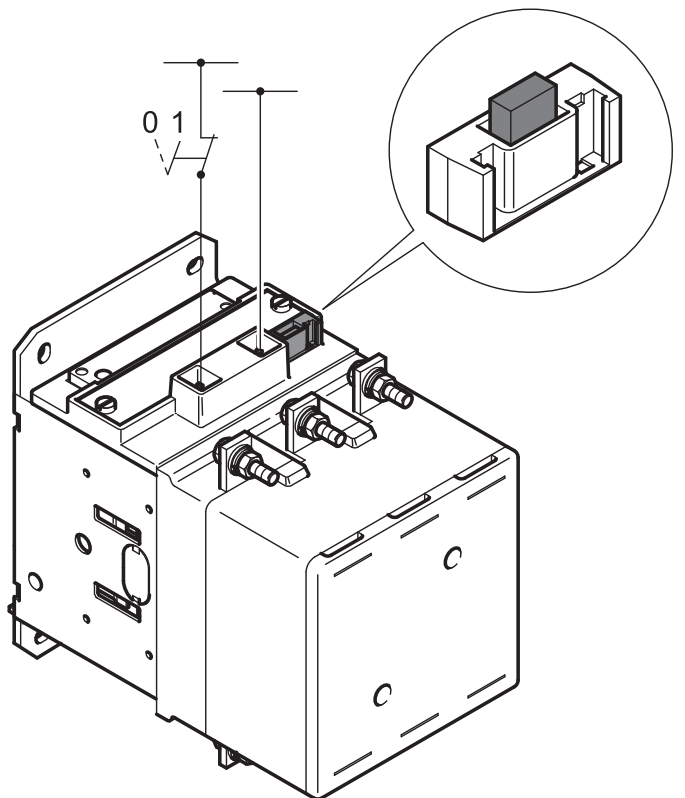
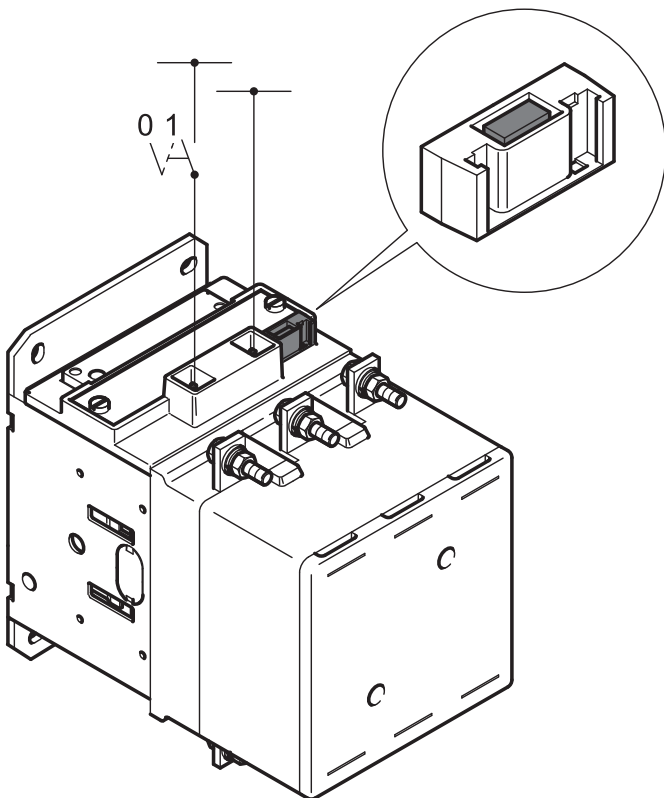
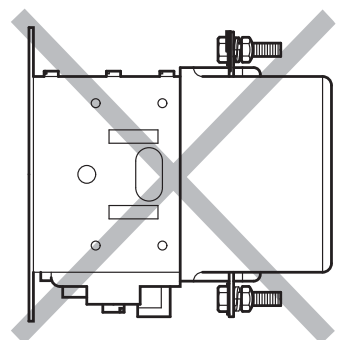
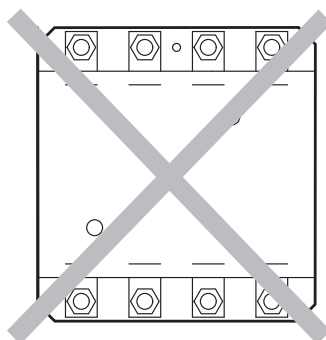
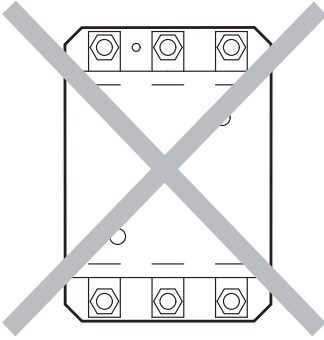
For higher values the use of a step-down voltage transformer is recommended.



	B115-B145-B180 B250-B310-B400			B500-B630 B630 1000		
	160VA			200VA		
Us (0.8-1.1) V = (50/60Hz-DC)						
	VA=W	VA=W	A	VA=W	VA=W	A
24	300	10	4	—	—	—
48	300	10	2	400	18	4
60	300	10	2	400	18	2
110-125	300	10	1	400	18	1
220-240	300	10	0.5	400	18	0.5
380-415	300	10	0.5	400	18	0.5
440-460	300	10	0.5	400	18	0.5

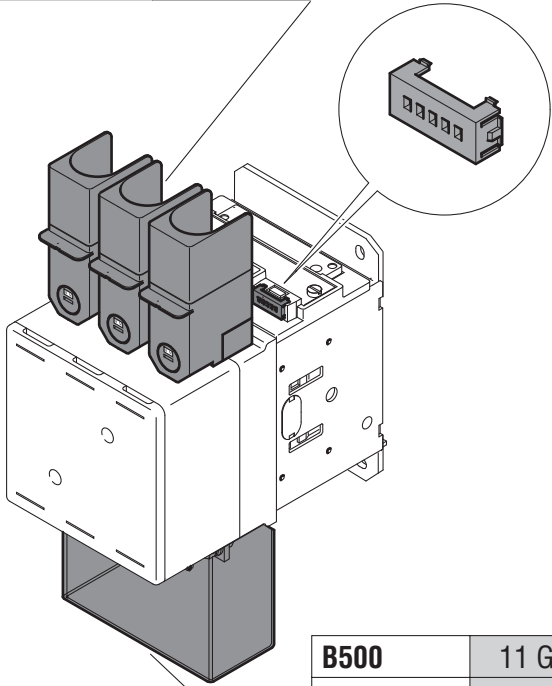


**180°
NO!**

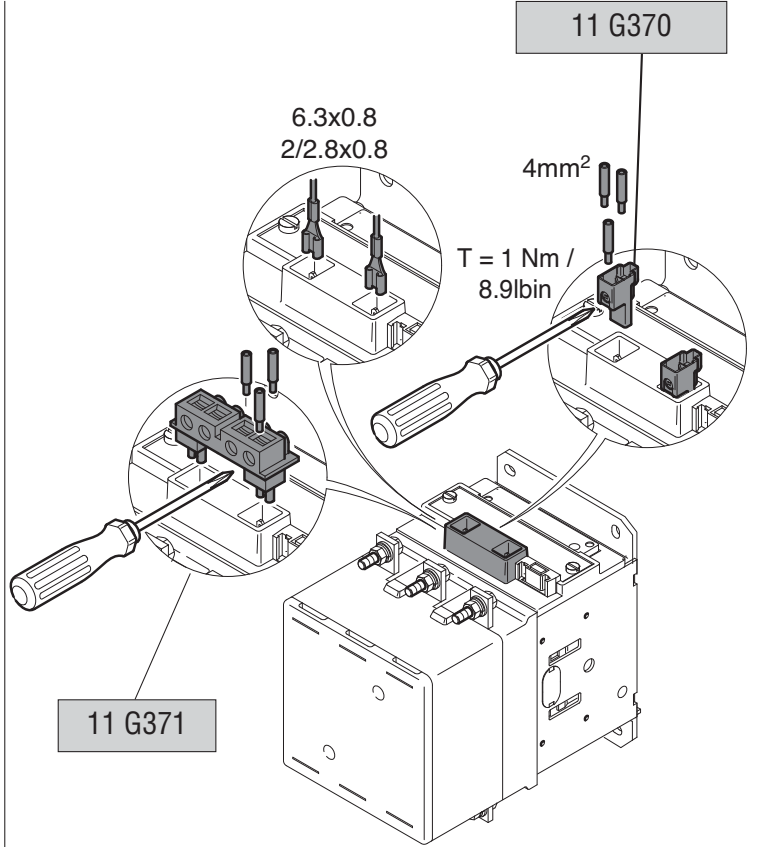


B115	11 G360
B145-B180	11 G361
B250	11 G362
B310-B400	11 G363

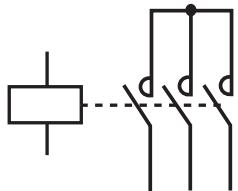
11 BA126 2



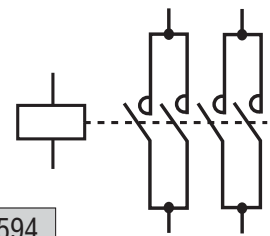
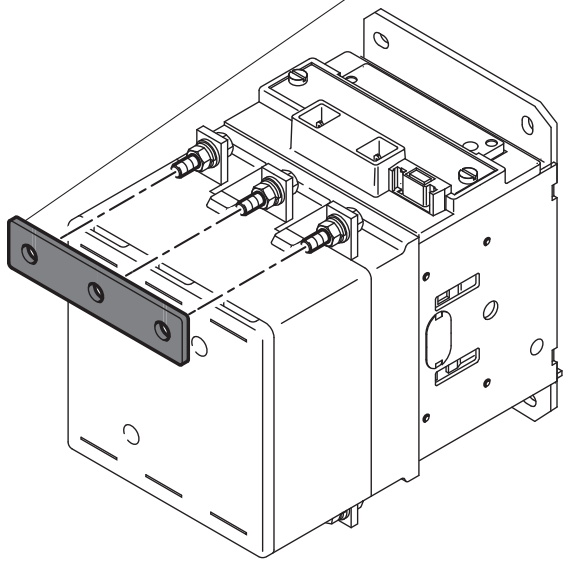
B500	11 G527
B500 4	11 G528
B630	11 G529
B630 4	11 G530



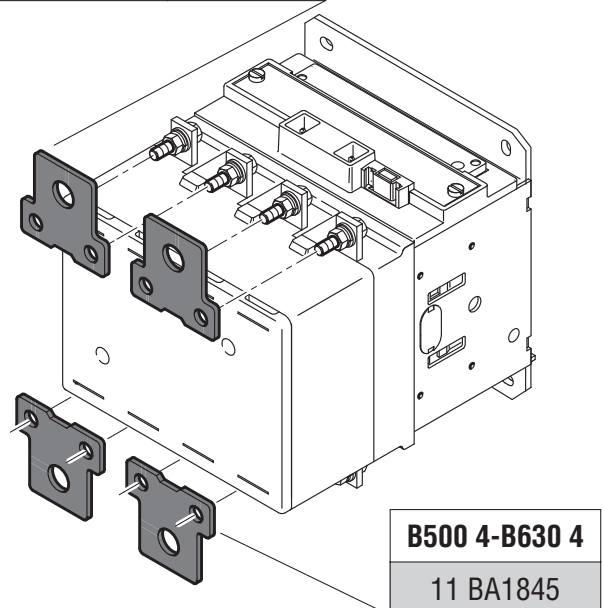
11 G371



B115-B145-B180	11 BA1595
B250-B310-B400	11 BA1721
B500-B630	11 BA1846



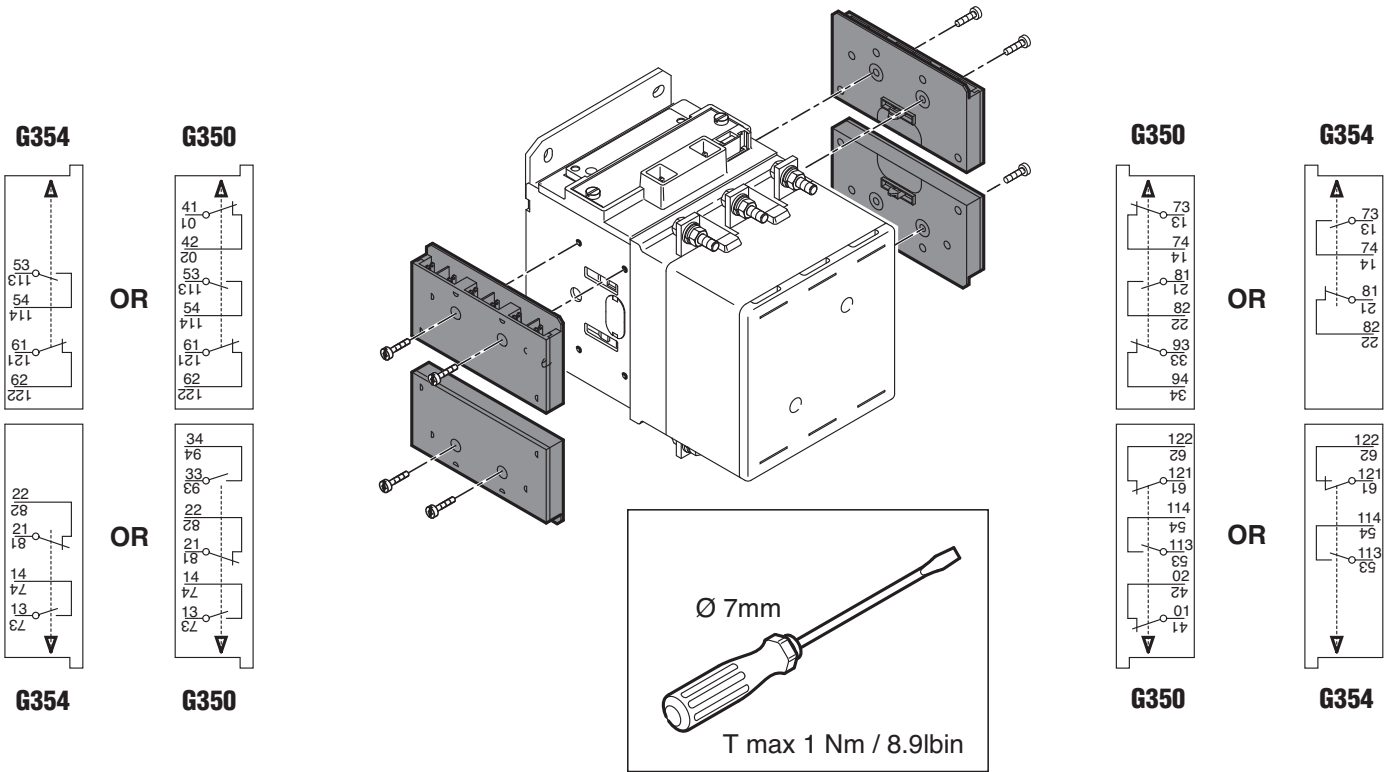
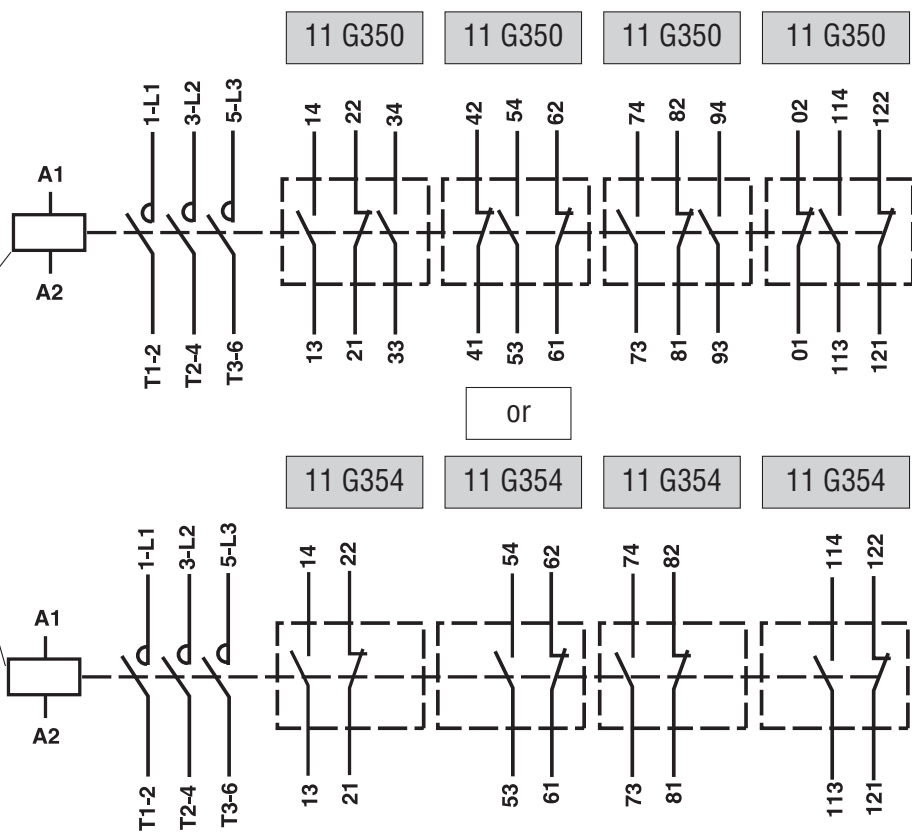
B115 4-B145 4-B180 4	11 BA1594
B250 4-B310 4-B400 4	11 BA1720



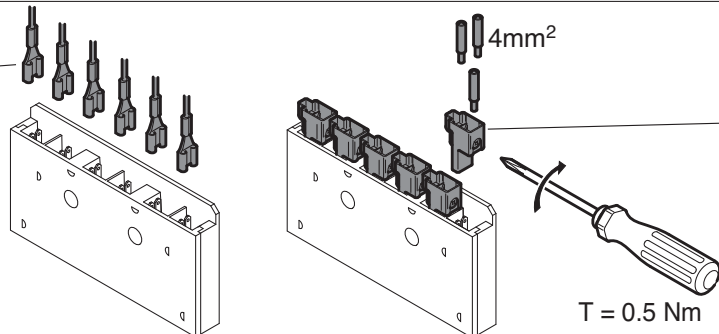
B500 4-B630 4
11 BA1845

11 G350
11 G354

B115
B145
B180
B250
B310
B400
B500
B630
B630 1000

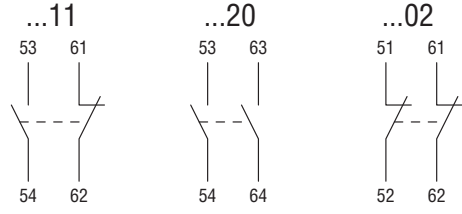
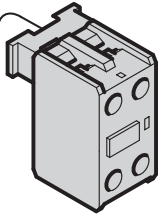


6.3x0.8
2/2.8x0.8

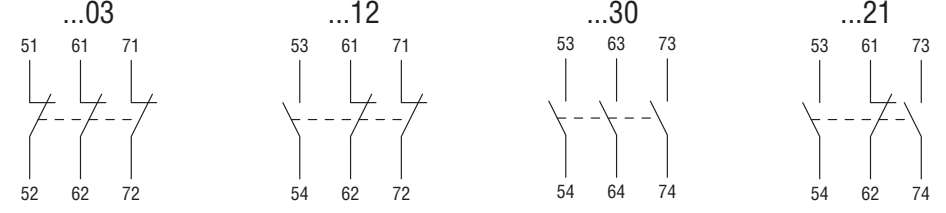
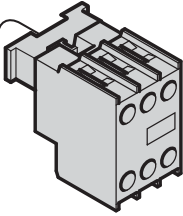


11 G370

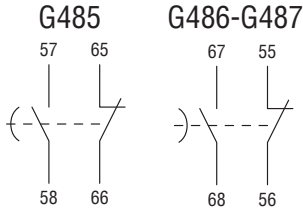
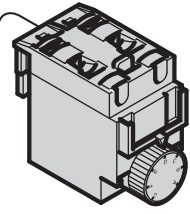
BFX10...



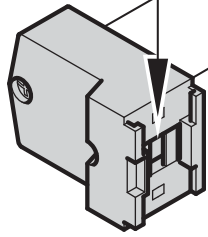
11 G484



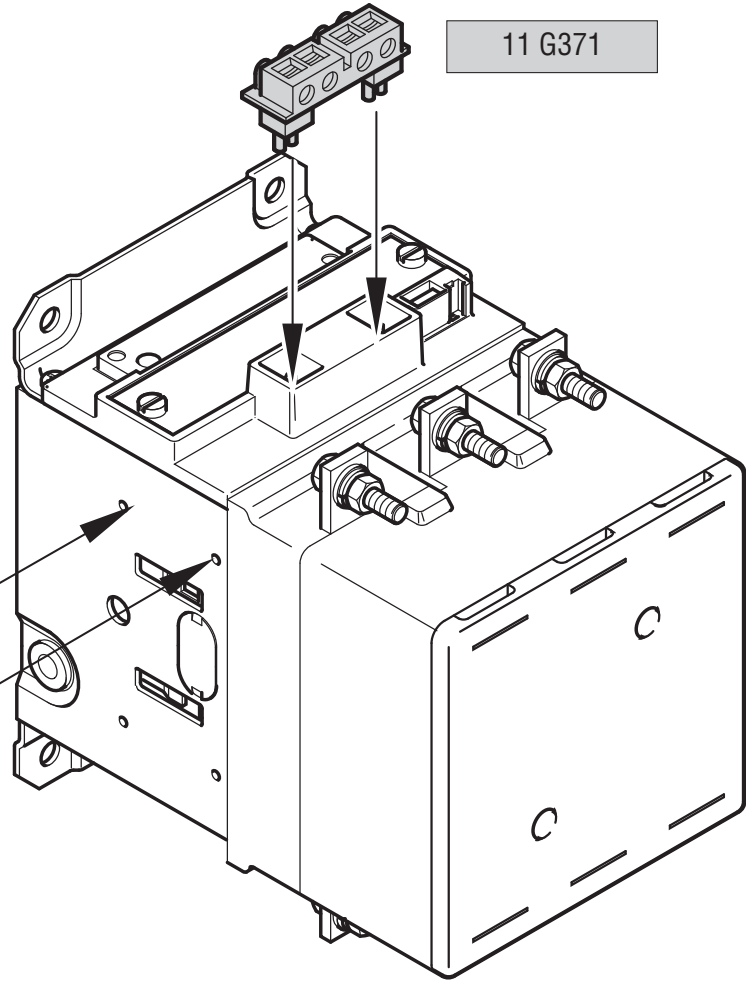
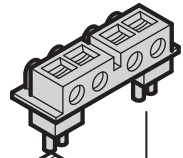
11 G485
11 G486
11 G487



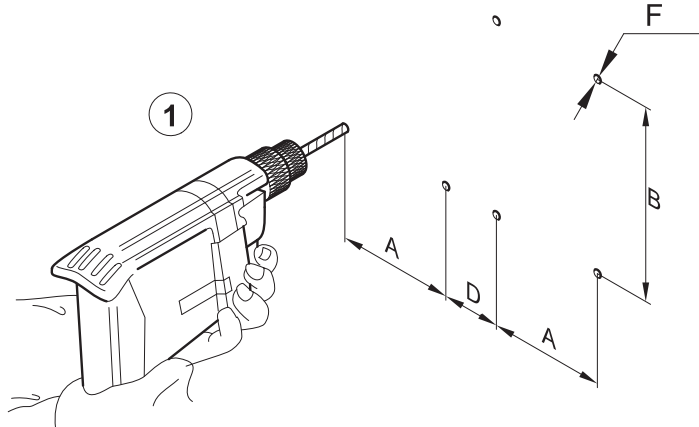
11 G358



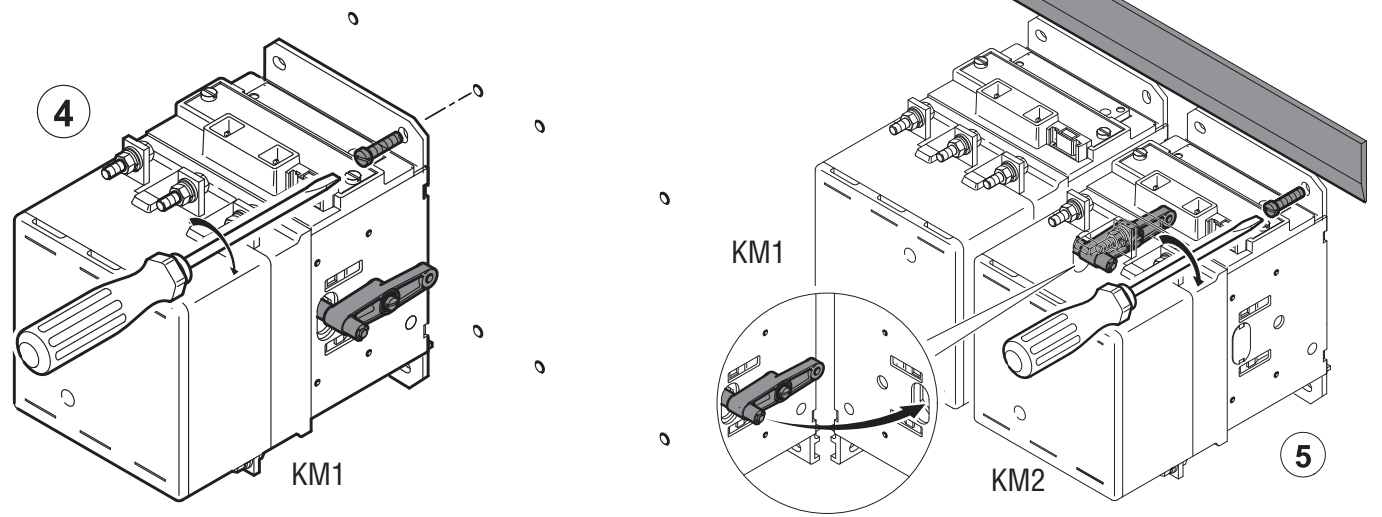
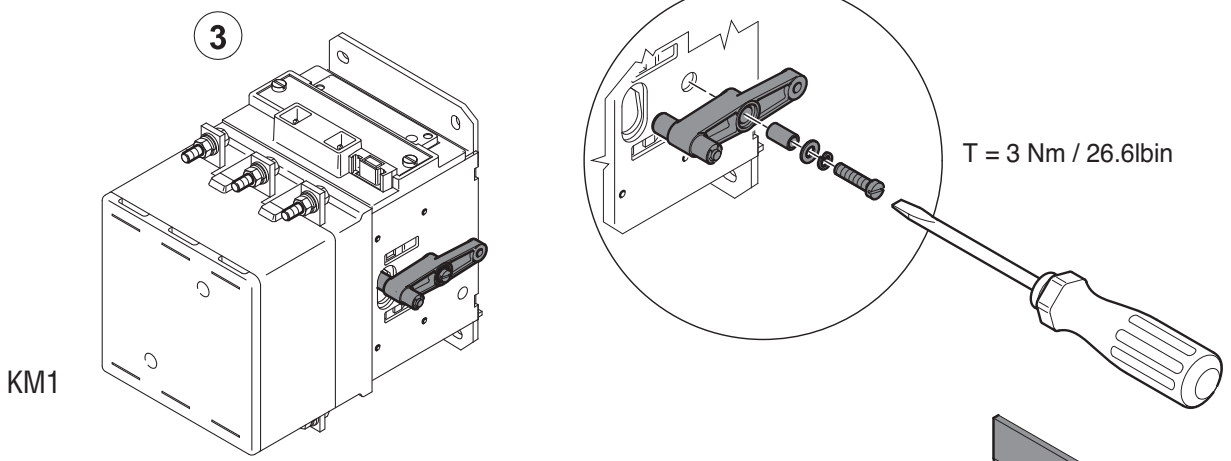
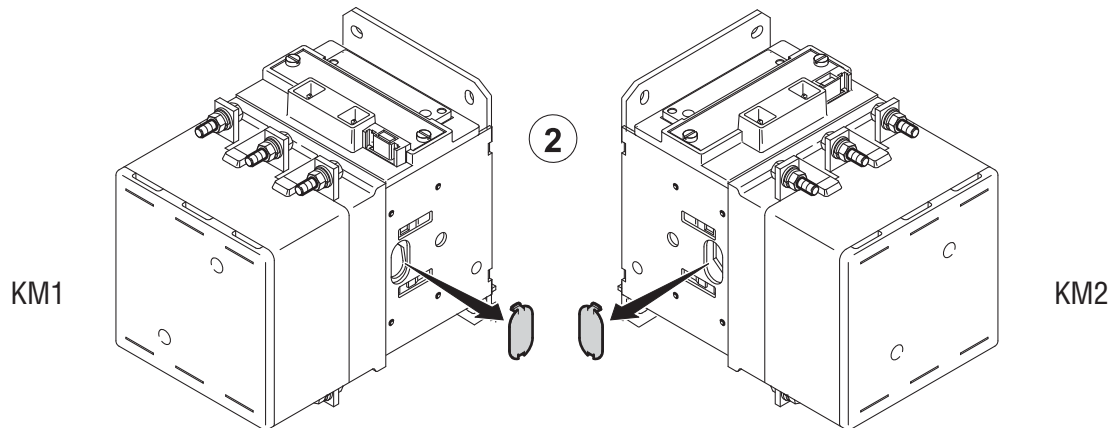
11 G371



11 G355
[mm]



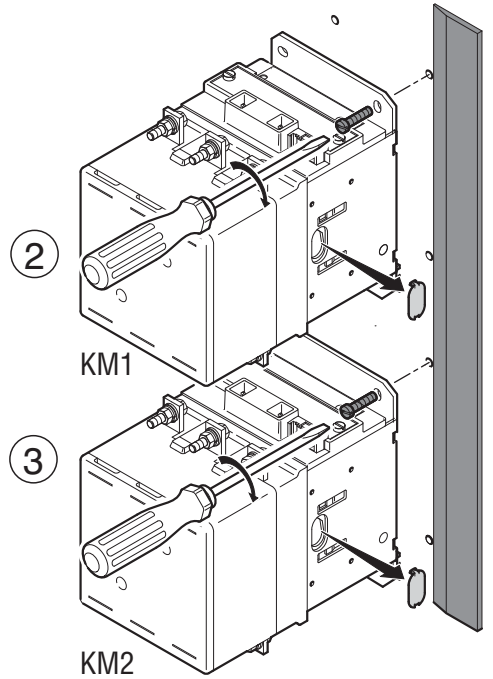
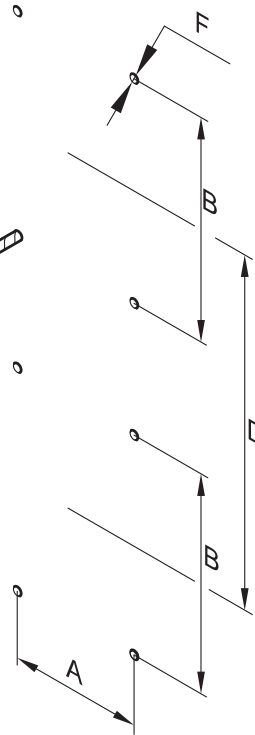
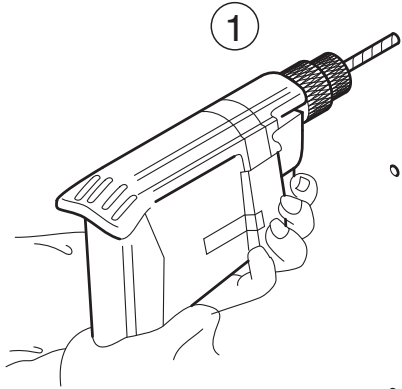
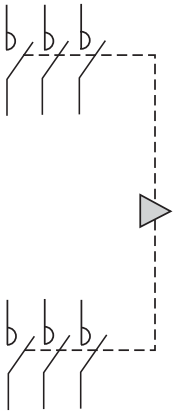
	A	B	D	F
B115-B145-B180	90	150	45	M6
B115 4-B145 4-B180 4	130	150	45	M6
B250-B310-B400	110	180	50	M8
B250 4-B310 4-B400 4	157.5	180	50	M8
B500-B630-B630 1000	150	230	60	M10
B500 4-B630 4-B630 1000 4	215	230	60	M10



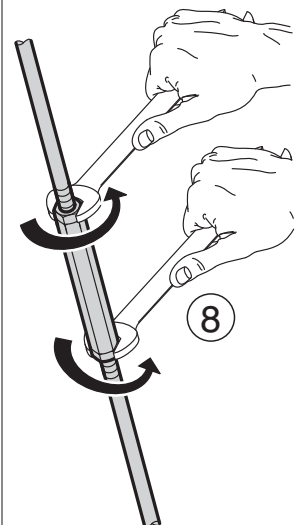
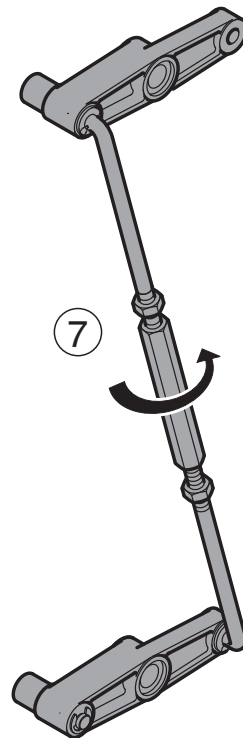
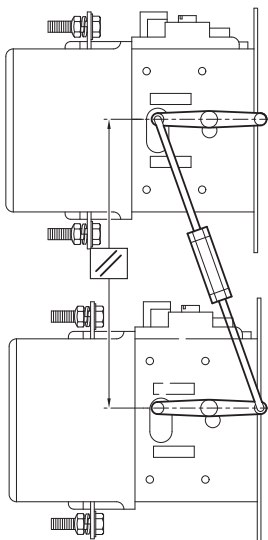
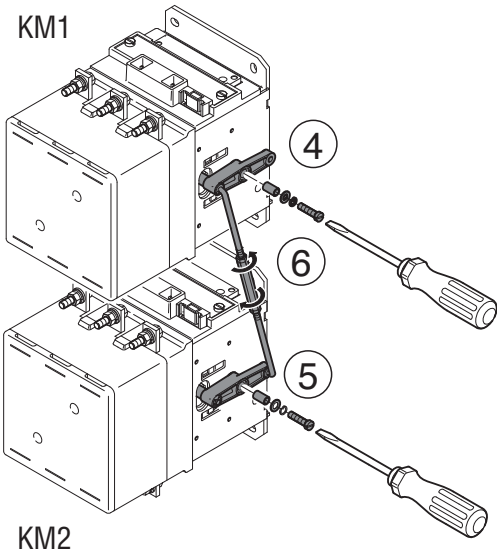
11 G356 ...

	A	B	F
B115-B145-B180	90	150	M6
B115 4-B145 4-B180 4	130	150	M6
B250-B310-B400	110	180	M8
B250 4-B310 4-B400 4	157.5	180	M8
B500-B630-B630 1000	150	230	M10
B500 4-B630 4-B630 1000 4	215	230	M10

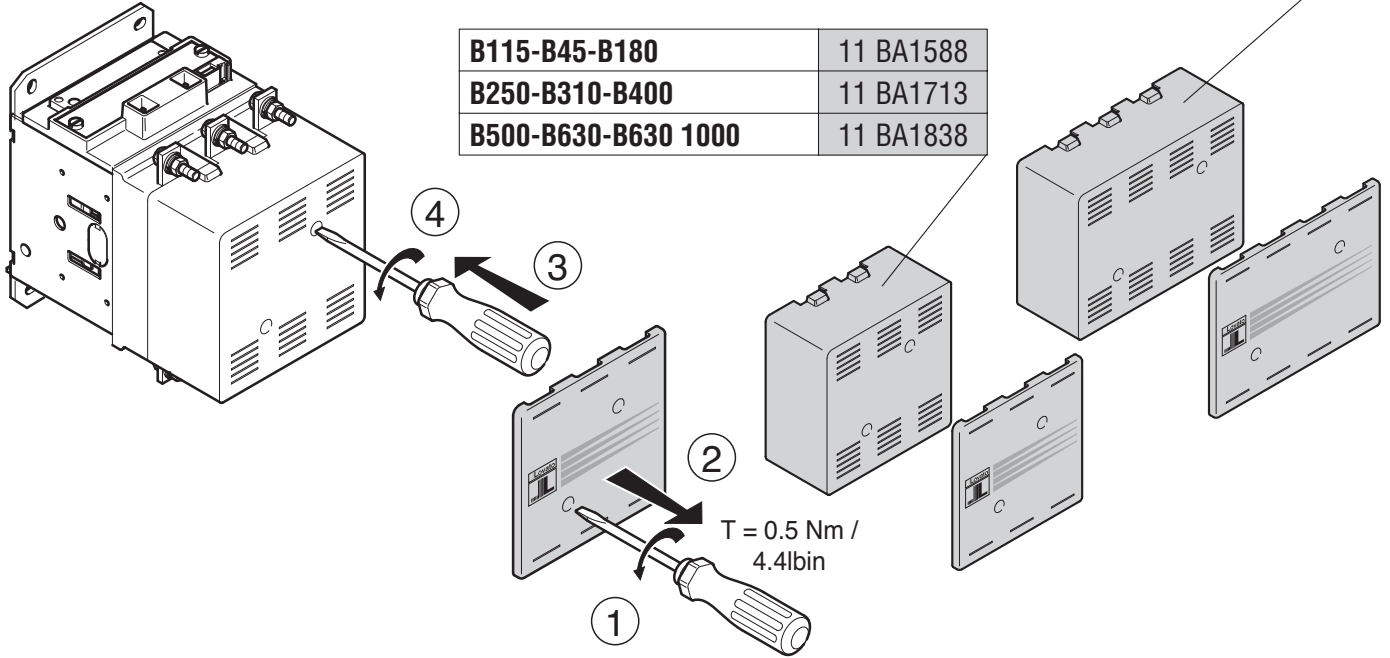
←-----→ [mm]



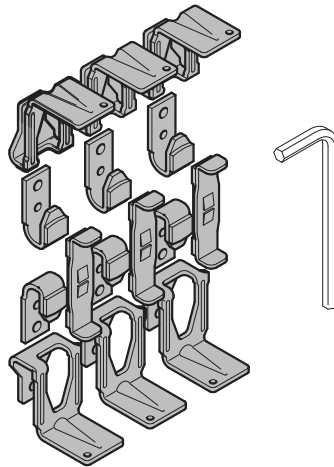
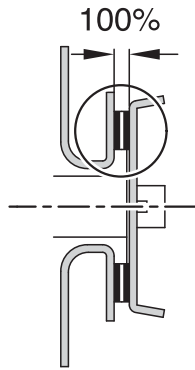
	D
11 G356 1	225-265 (B115-180)
11 G356 2	265-305 (B115-400)
11 G356 3	305-345 (B115-630)
11 G356 4	345-385 (B115-630)
11 G356 5	390-425 (B115-630)
11 G356 6	470-500 (B115-630 1000)



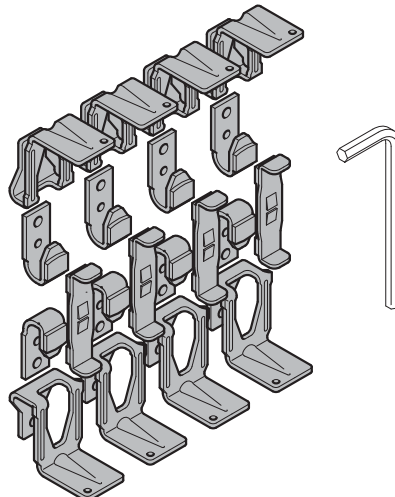
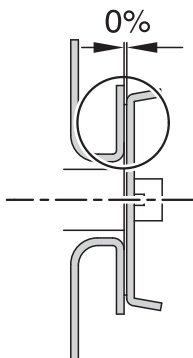
B115 4-B45 4-B180 4	11 BA1589
B250 4-B310 4-B400 4	11 BA1714
B500 4-B630 4-B630 1000 4	11 BA1839



B115-B45-B180	11 BA1588
B250-B310-B400	11 BA1713
B500-B630-B630 1000	11 BA1838

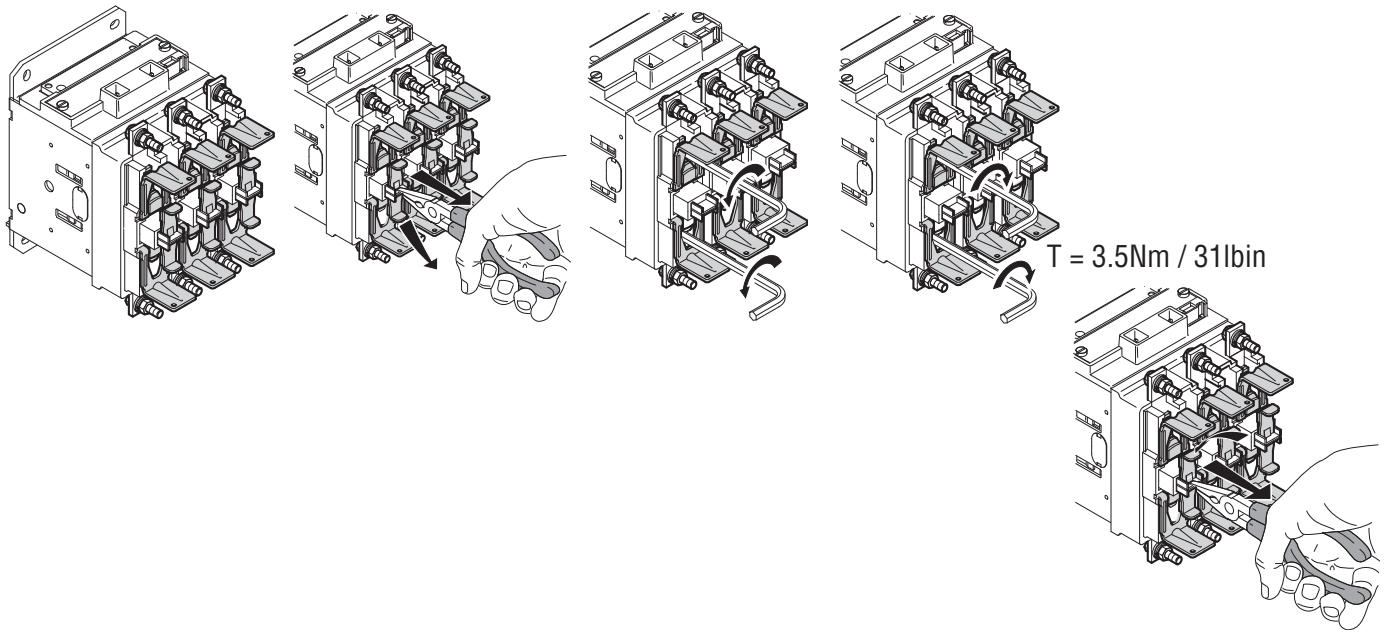


B115	11 G380
B145	11 G381
B180	11 G382
B250	11 G383
B310	11 G385
B400	11 G384
B500	11 G525
B630	11 G526
B630 1000	11 G537

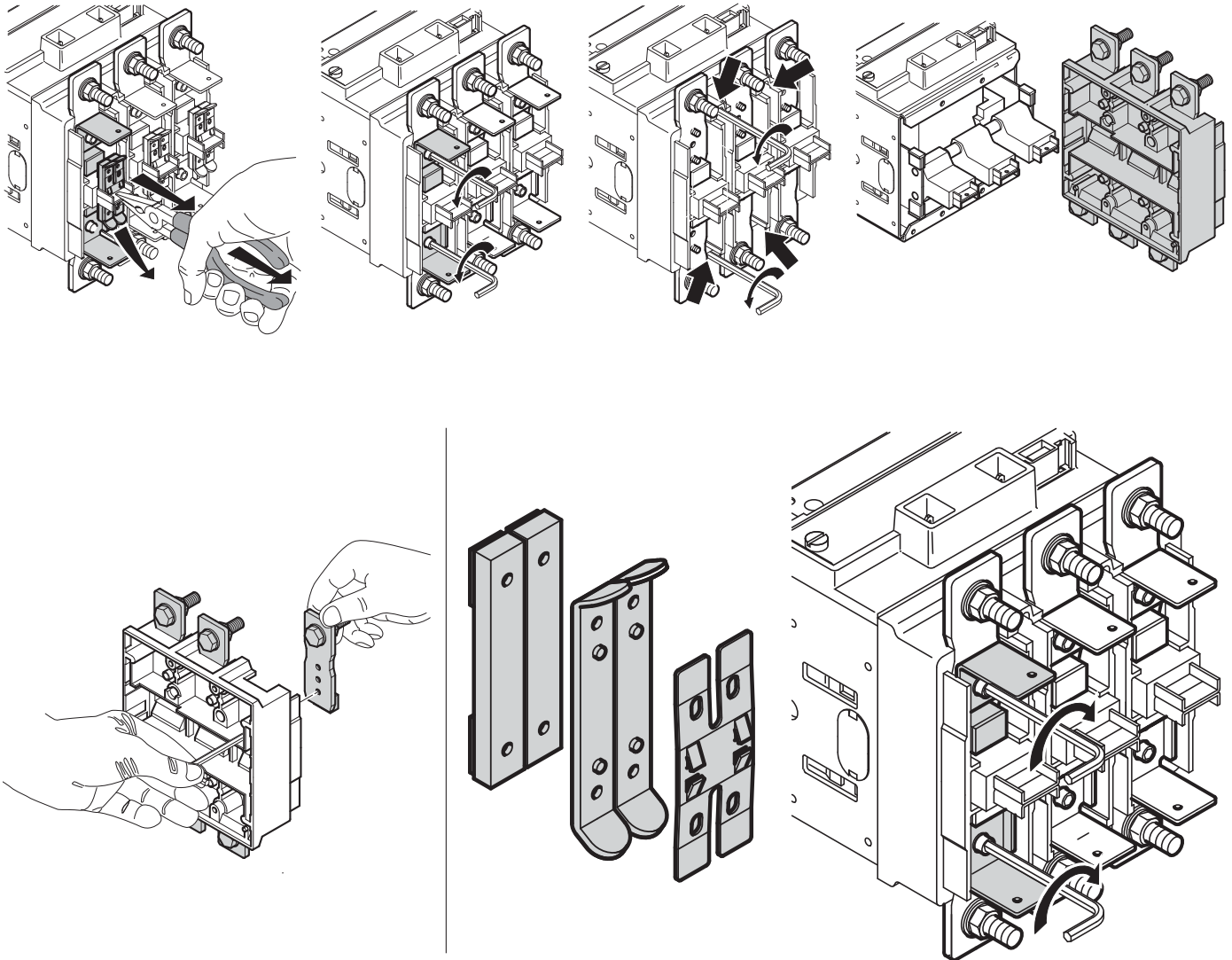


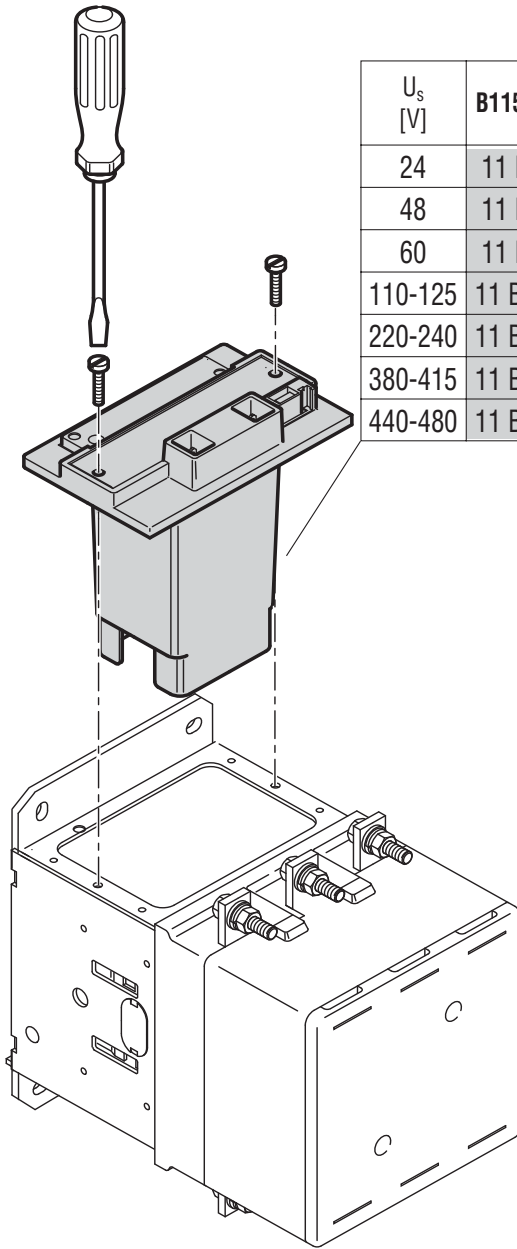
B115 4	11 G380 4
B145 4	11 G381 4
B180 4	11 G382 4
B250 4	11 G383 4
B310 4	11 G385 4
B400 4	11 G384 4
B500 4	11 G525 4
B630 4	11 G526 4
B630 1000 4	11 G537 4

B115 - B145 - B180 - B250 - B310 - B400



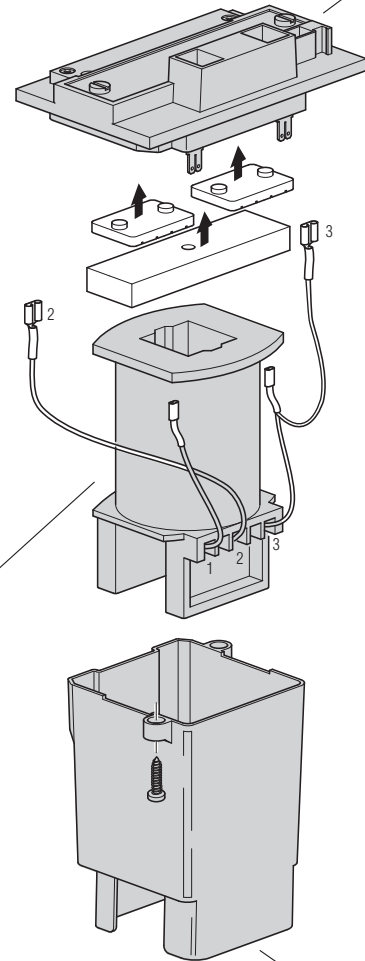
B500 - B630 - B630 1000





U _s [V]	B115-B145-B180	B250-B310-B400	B500-B630 B630 1000
24	11 BA1546 24	11 BA1671 24	—
48	11 BA1546 48	11 BA1671 48	11 BA1796 48
60	11 BA1546 60	11 BA1671 60	11 BA1796 60
110-125	11 BA1546 110	11 BA1671 110	11 BA1796 110
220-240	11 BA1546 220	11 BA1671 220	11 BA1796 220
380-415	11 BA1546 380	11 BA1671 380	11 BA1796 380
440-480	11 BA1546 440	11 BA1671 440	11 BA1796 440

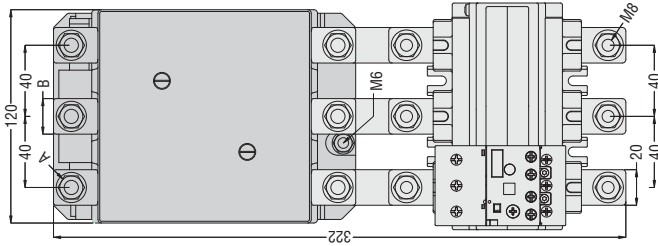
B115 B145 B180	11 BA1575 1
B250 B310 B400	11 BA1700 1
B500 B630 B630 1000	11 BA1799



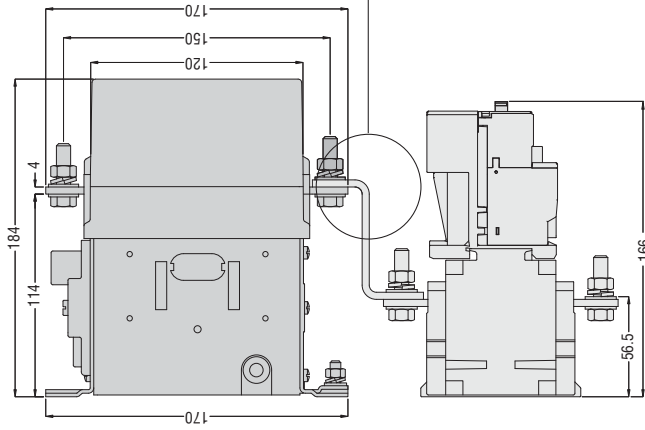
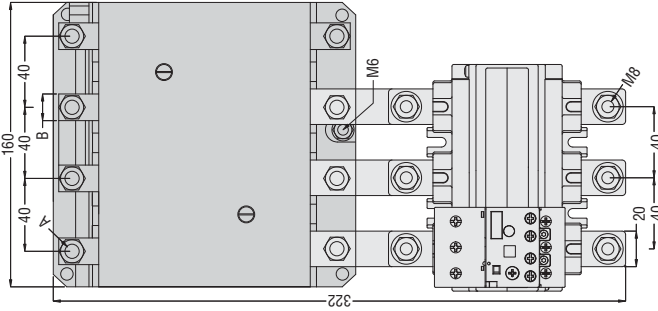
U _s [V]	B115-B145-B180	B250-B310-B400	B500-B630 B630 1000
24	11 BA11574 24	11 B 1699 24	—
48	11 BA11574 48	11 BA1699 48	11 BA1800 48
60	11 BA11574 60	11 BA1699 60	11 BA1800 60
110-125	11 BA11574 110	11 BA1699 110	11 BA1800 110
220-240	11 BA11574 220	11 BA1699 220	11 BA1800 220
380-415	11 BA11574 380	11 BA1699 380	11 BA1800 380
440-480	11 BA11574 440	11 BA1699 440	11 BA1800 440

B115-B145-B180	11 BA1553
B250-B310-B400	11 BA1678
B500-B630-B630 1000	11 BA1803

B115 - B145 - B180



[mm]

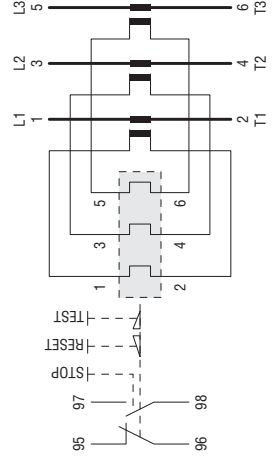
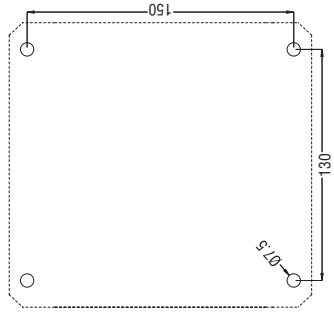
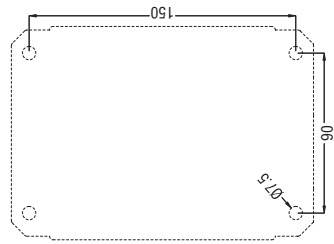


11 G372	RF200	→	B115-B145-B180
11 G375	RF420	→	B145-B180

[A]

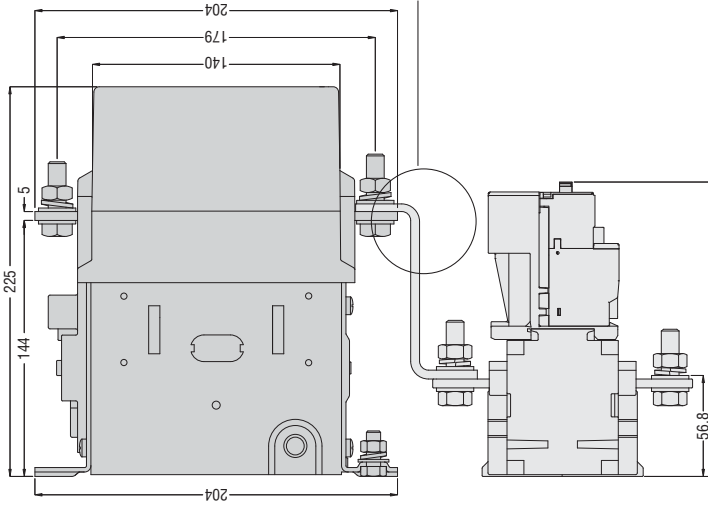
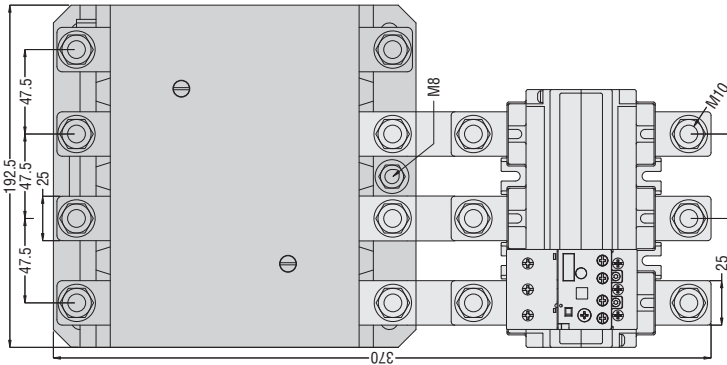
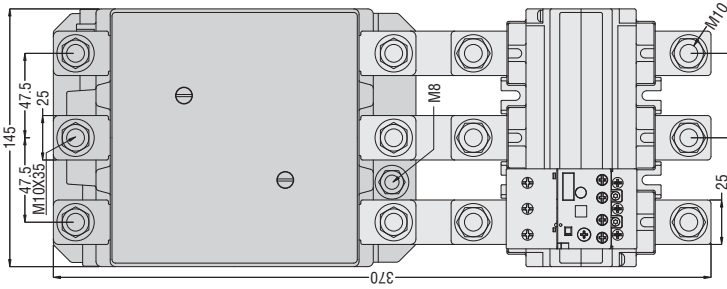
60-100	RF200 100
75-125	RF200 125
90-150	RF200 150
120-200	RF200 200
150-250	RF420 250
160-300	RF420 300
250-420	RF420 420

	A	B
B115	M6	15
B145	M8	20
B180	M8	20



B250 - B310 - B400

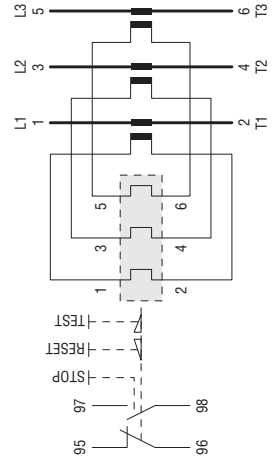
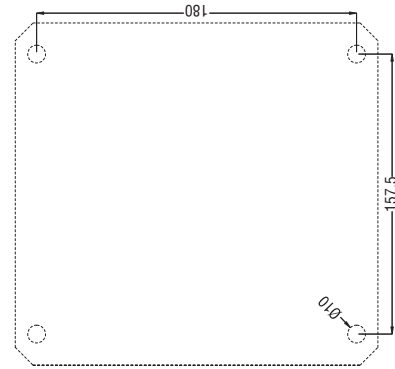
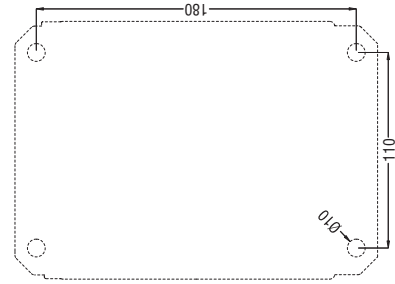
← [mm] →



11 G373	RF200	→	B250-B310-B400
11 G376	RF400	→	B250-B310-B400

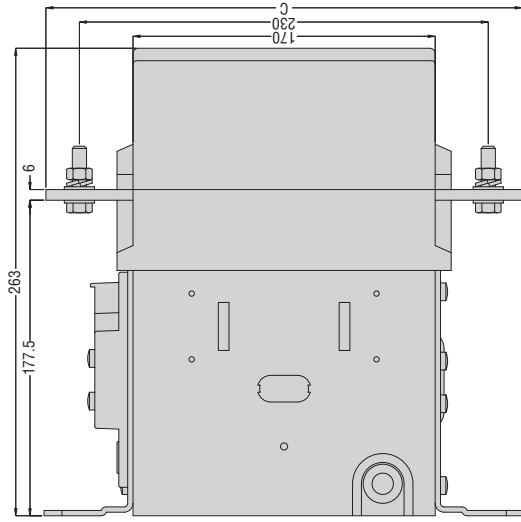
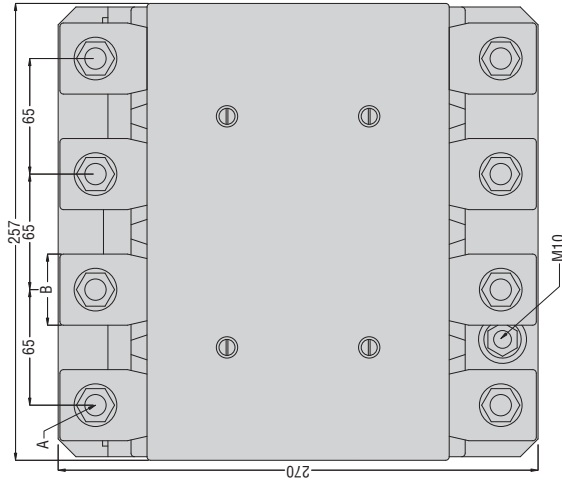
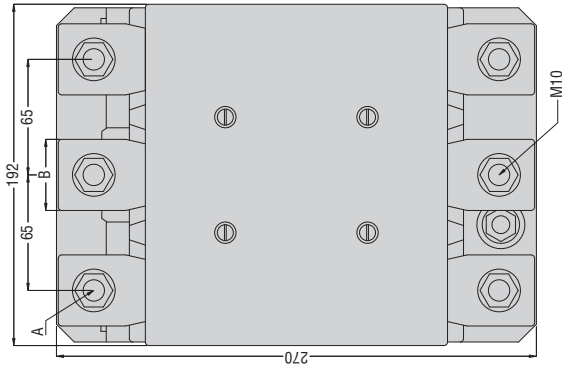
[A]

60-100	RF200 100
75-125	RF200 125
90-150	RF200 150
120-200	RF200 200
150-250	RF420 250
160-300	RF420 300
250-420	RF420 420

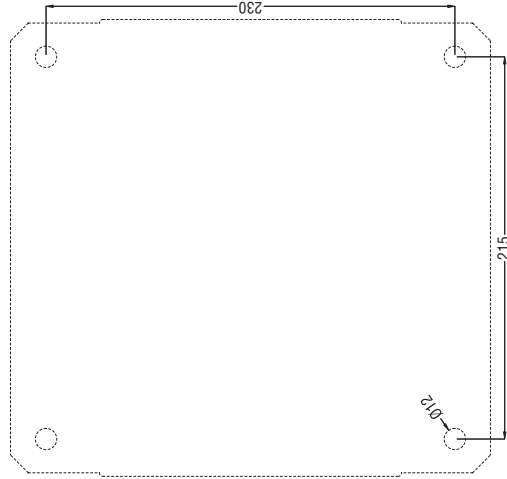
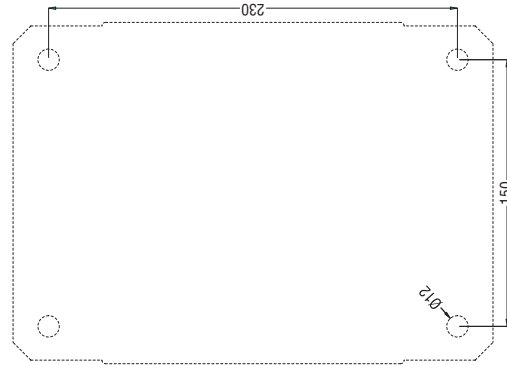


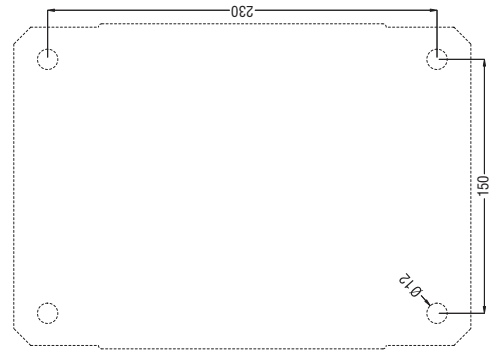
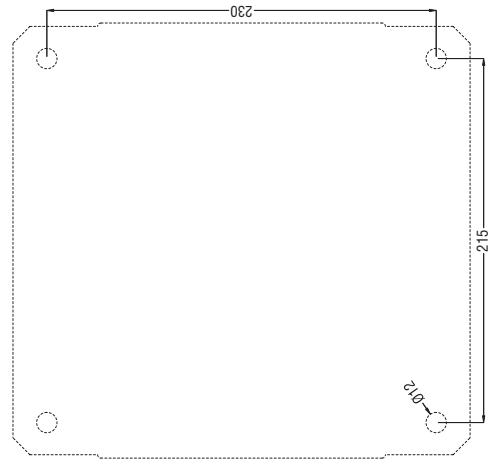
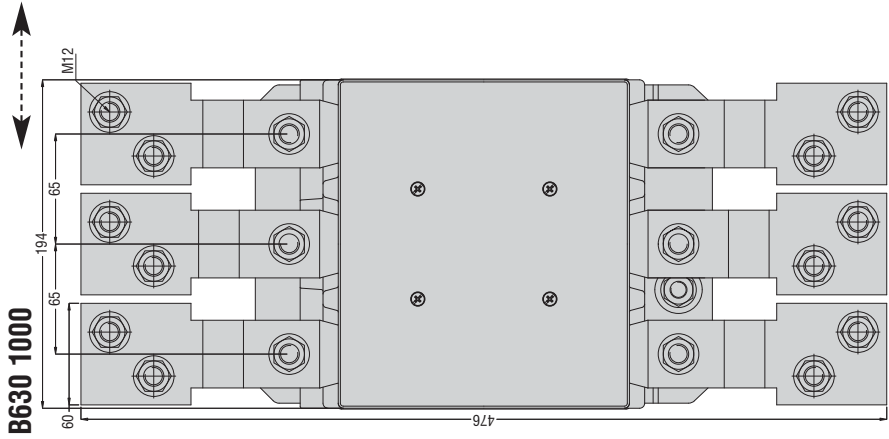
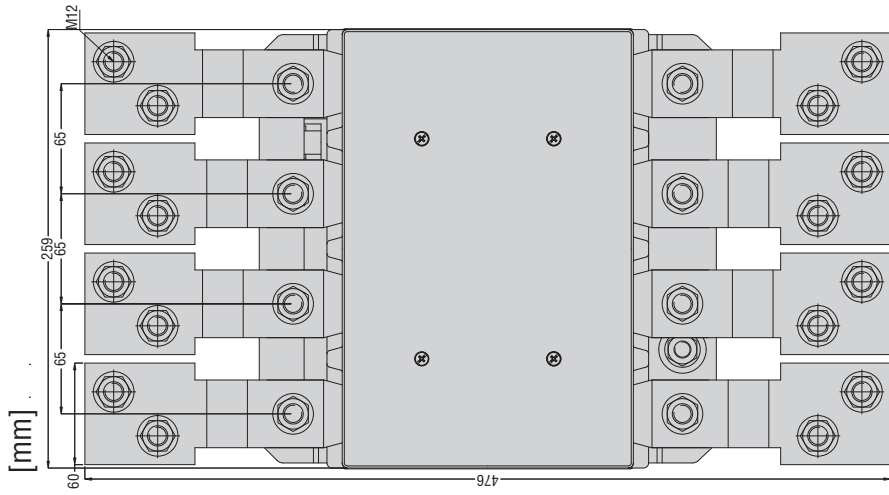
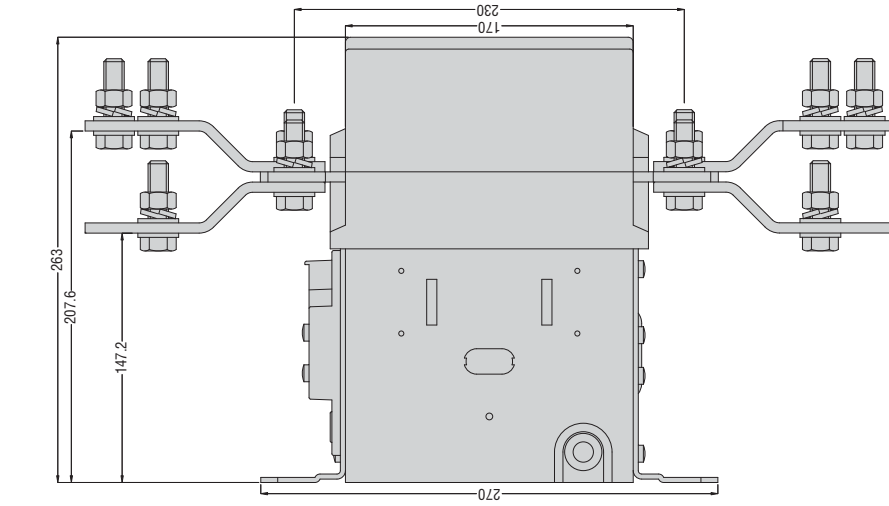
B500 - B630

[mm]



	A	B	C
B500	M10	35	265
B630	M12	40	270



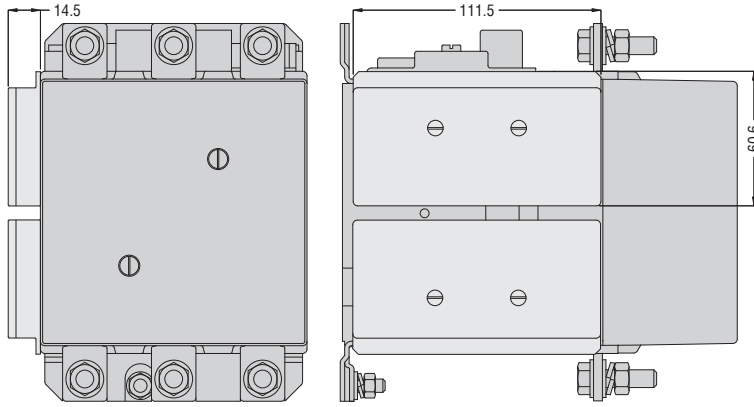


B630-1000

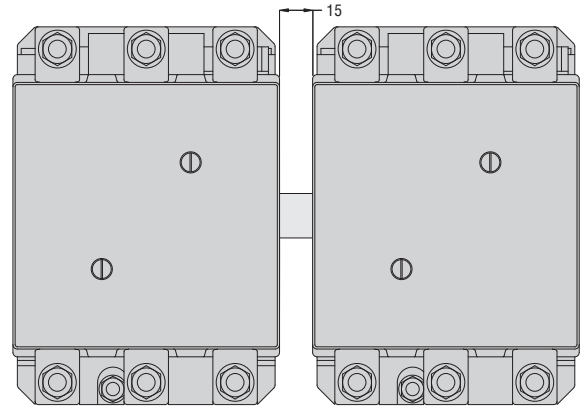
[mm]

G350 - G354

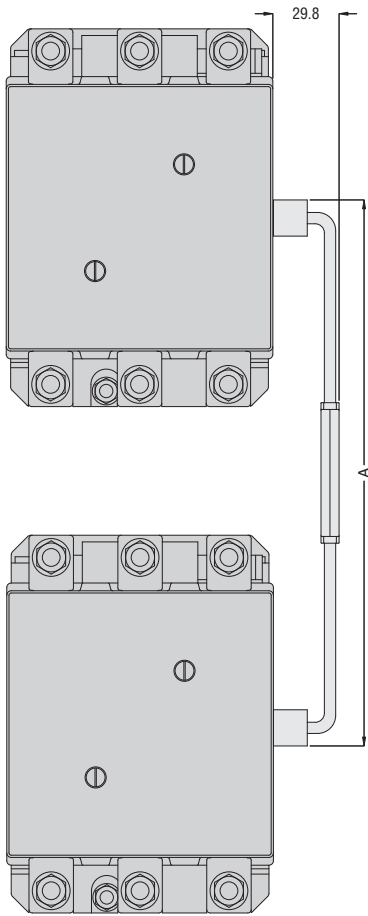
←-----→ [mm]



G355



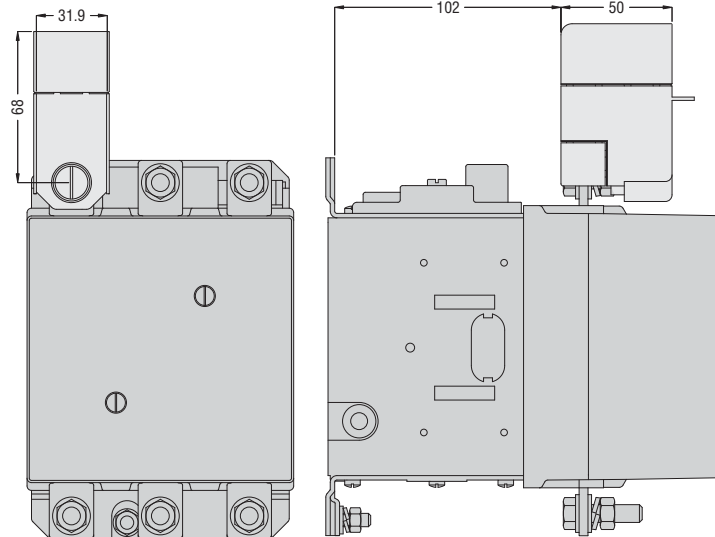
G356...



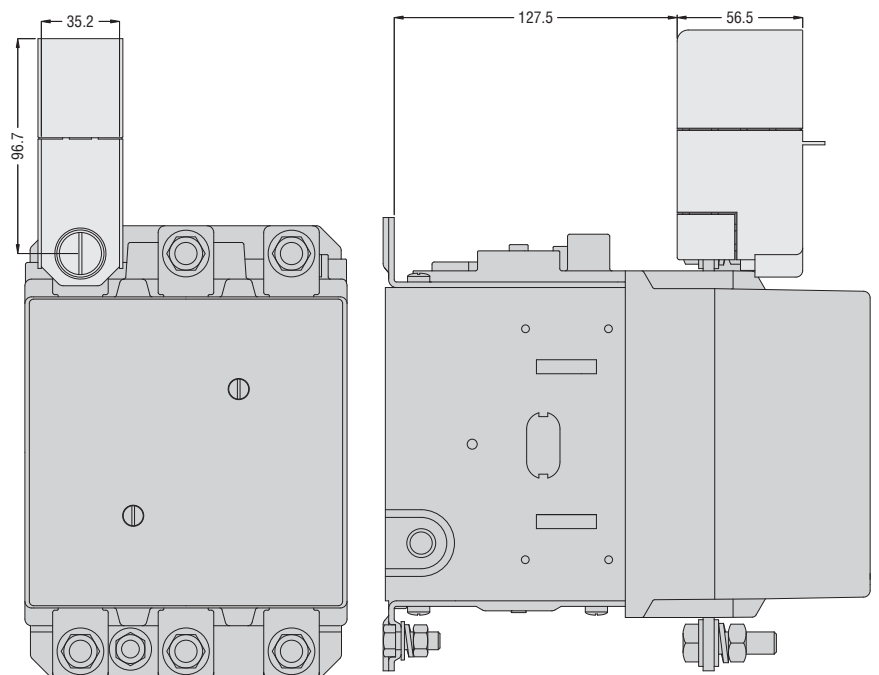
A

- G356 1 = 225-265
- G356 2 = 265-305
- G356 3 = 305-345
- G356 4 = 345-385
- G356 5 = 390-425
- G356 6 = 470-500

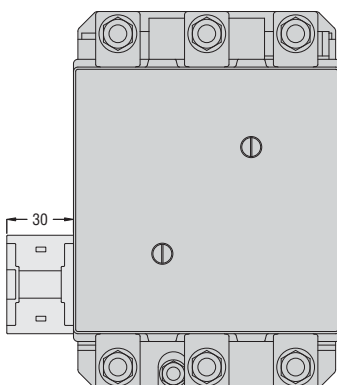
G360 - G361



G363



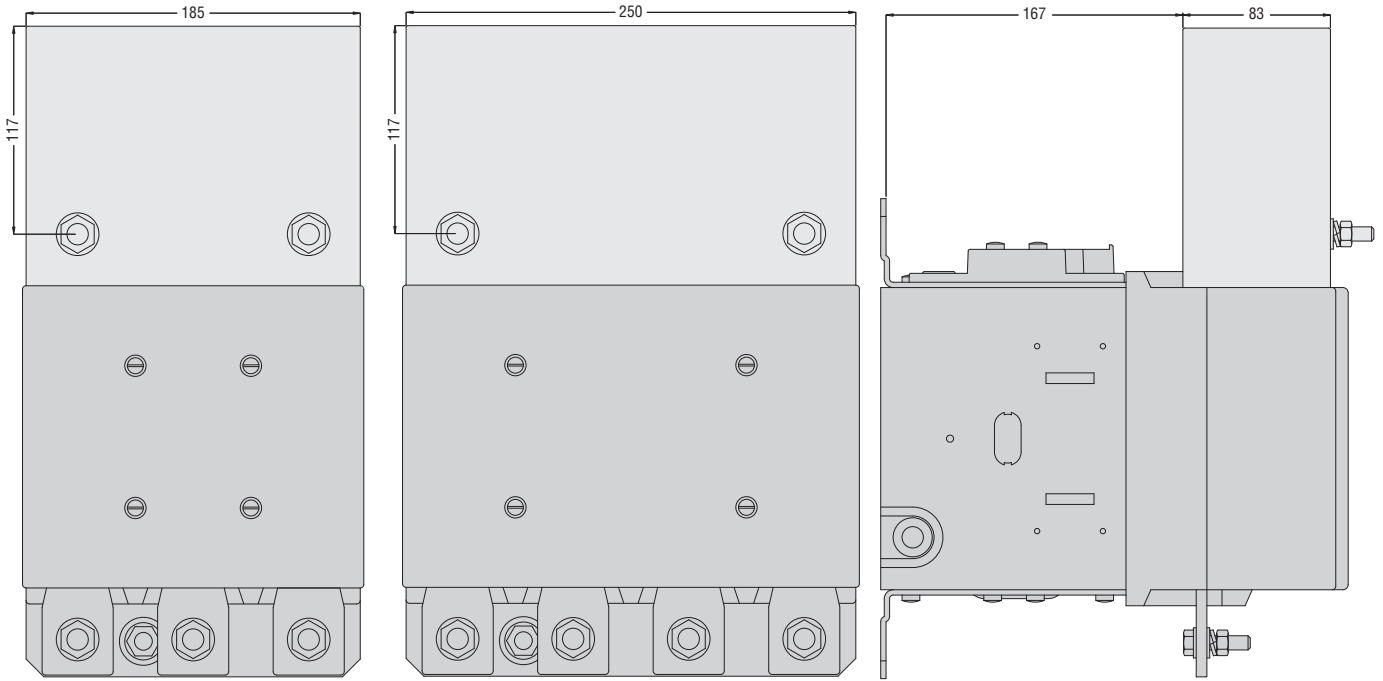
G358



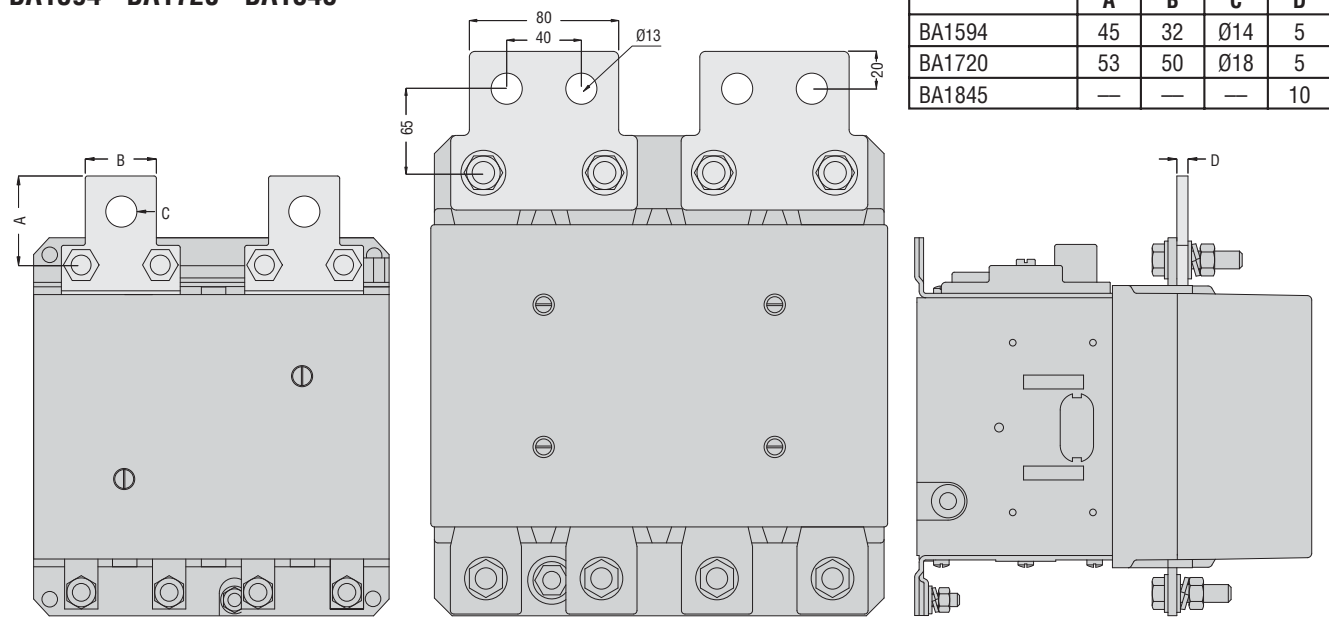
G527 - G529

G528 - G530

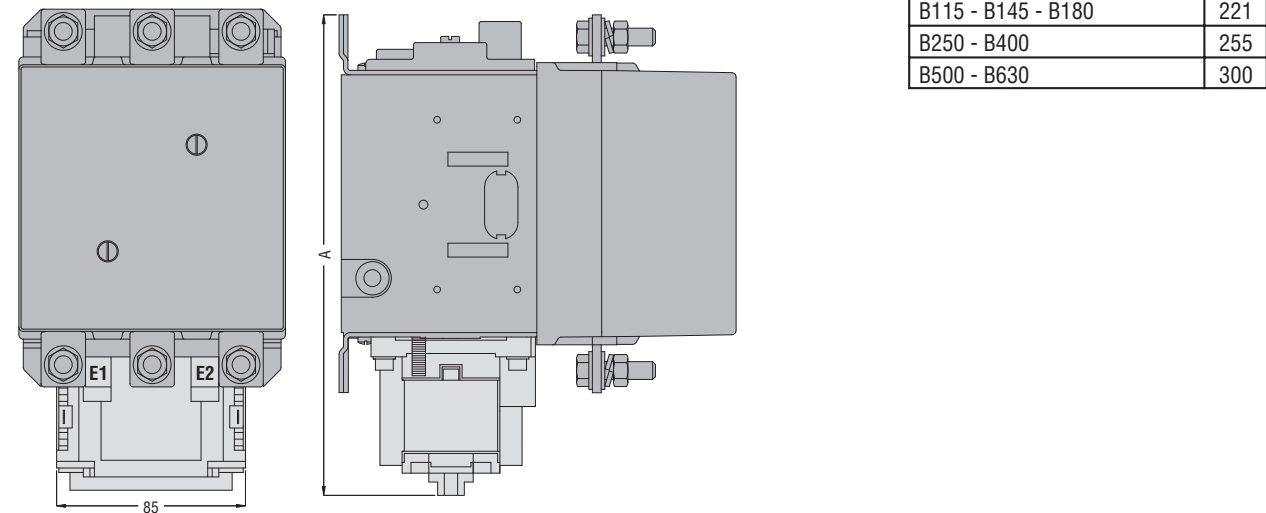
←-----→ [mm]



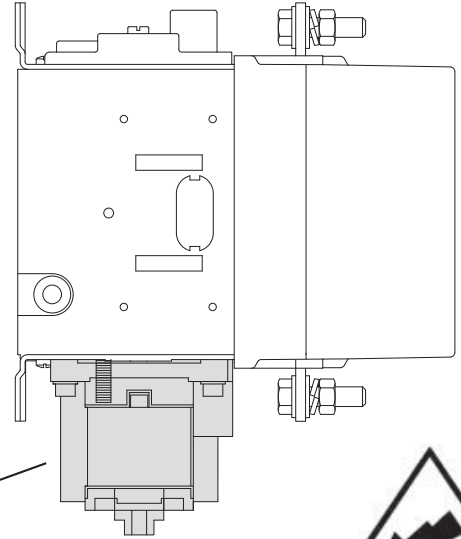
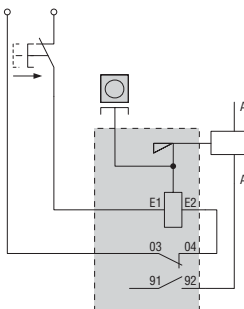
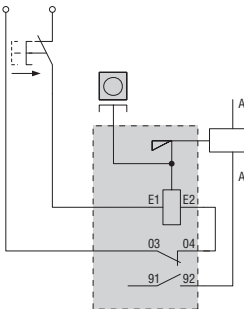
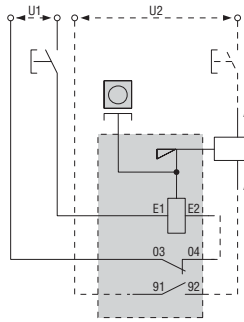
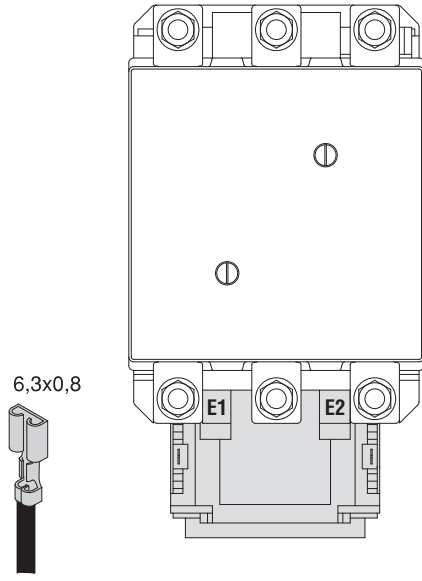
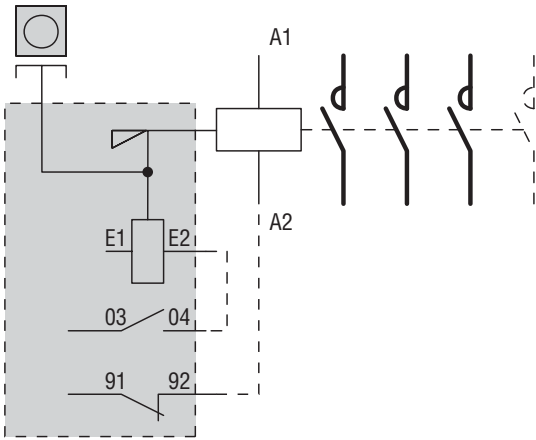
BA1594 - BA1720 - BA1845



G495



B115 L 00 - B145 L 00 - B180 L 00 - B250 L 00 - B400 L 00 - B500 L 00 - B630 L 00
B115 4 L 00 - B145 4 L 00 - B180 4 L 00 - B250 4 L 00 - B400 4 L 00 - B500 4 L 00 - B630 4 L 00



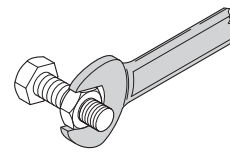
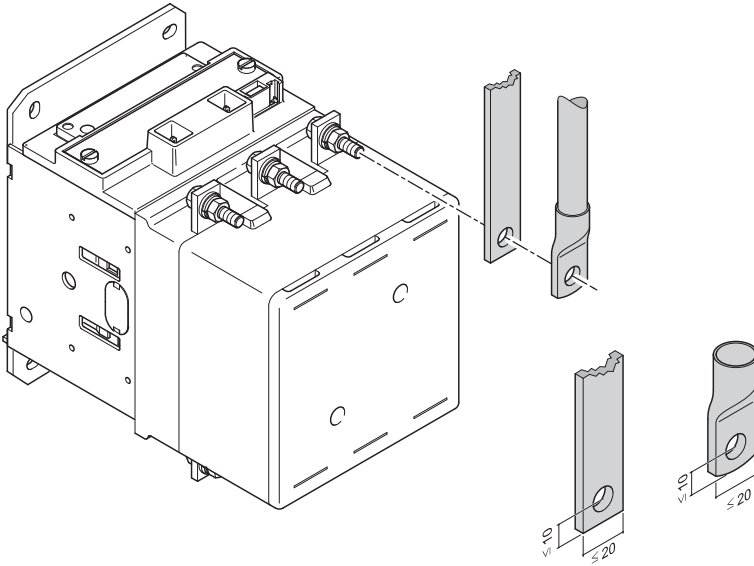
4 ... 8kg



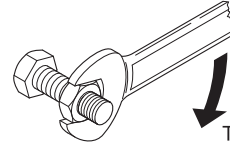
ATTENZIONE!!
WARNING!!
ACHTUNG!!
ATTENTION!!
警告!!

B115 - B145 - B180

[mm]



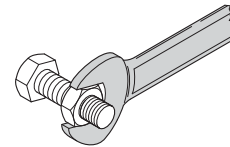
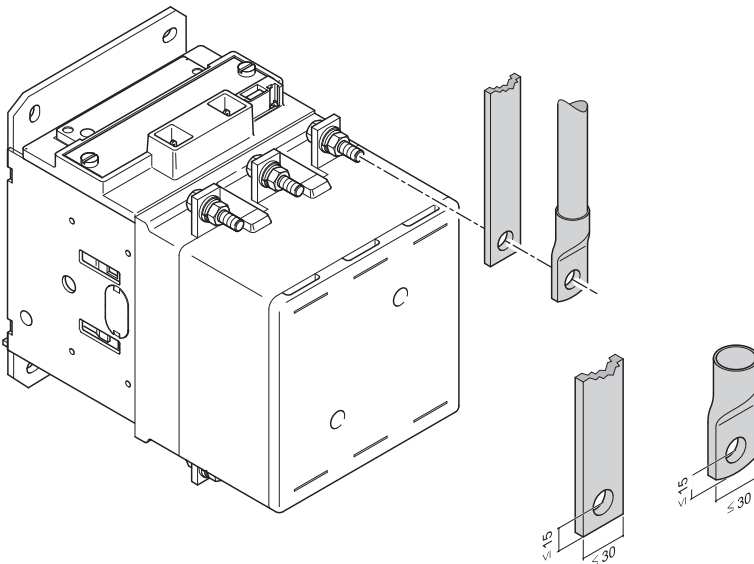
B115 = 10mm
 B145 = 13mm
 B180 = 13mm



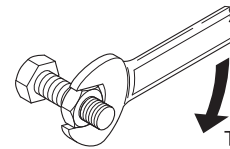
B115 T = 10Nm / 7.4lbft
 B145 T = 18Nm / 13.3lbft
 B180 T = 18Nm / 13.3lbft

B250 - B310 - B400

[mm]



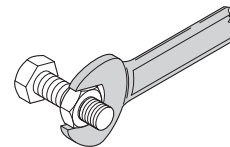
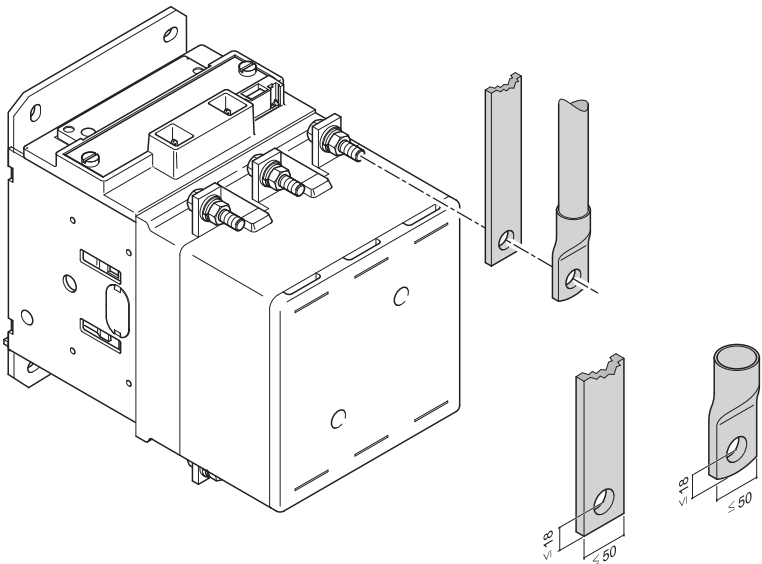
B250 = 17mm
 B310 = 17mm
 B400 = 17mm



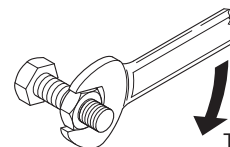
B250 T = 35Nm / 25.8lbft
 B310 T = 35Nm / 25.8lbft
 B400 T = 35Nm / 25.8lbft

B500 - B630 - B630 1000

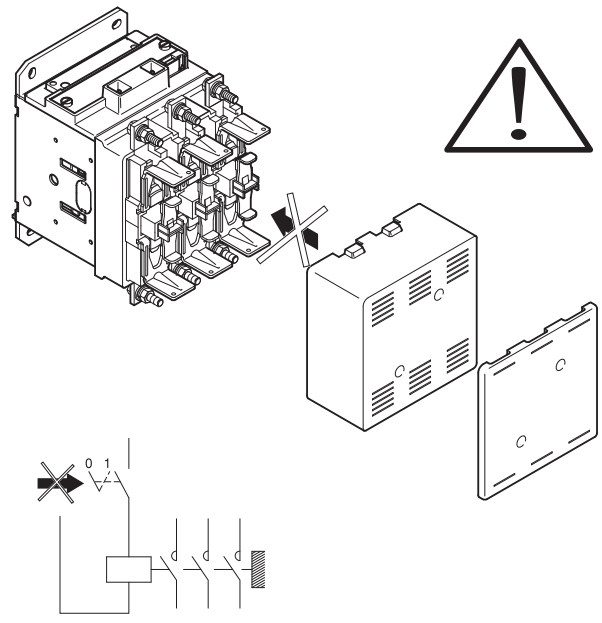
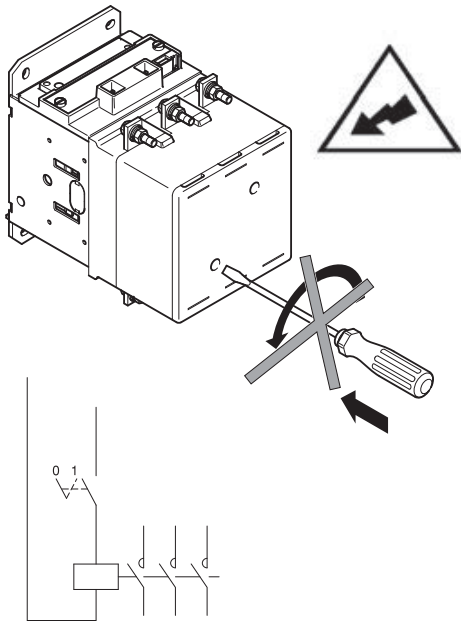
[mm]



B500 = 17mm
 B630 = 19mm
 B630 1000 = 19mm



B500 T = 35Nm / 25.8lbft
 B630 T = 55Nm / 40.6lbft
 B630 1000 T = 55Nm / 40.6lbft



ATTENZIONE!

Questi apparecchi devono essere installati da personale qualificato, nel rispetto delle vigenti normative impiantistiche, allo scopo di evitare danni a persone o cose.

I prodotti descritti in questo documento sono suscettibili in qualsiasi momento di evoluzioni o modifiche. Le descrizioni ed i dati a catalogo non possono pertanto avere alcun valore contrattuale.

WARNING!

This equipment must be installed by trained personnel, complying to current standards, to avoid damages or safety hazards. Products illustrated herein are subject to alterations and changes without prior notice. Technical data and descriptions in the documentation are accurate to the best of our knowledge, but no liabilities for errors, omissions, or contingencies arising therefrom are accepted.

ACHTUNG!!

Um Personen- und Sachschaden zu vermeiden, darf diese Gei nur von fachkundigem Personal, unter Berücksichtigung der jeweils geltenden Vorschriften, installiert werden.

Die in diesem Katalog gezeigten Produkte können jederzeit ohne Vorankündigung geändert werden. Technische Daten und Beschreibungen sind richtig und wurden nach bestem Wissen und Gewissen erstellt.

警告!

圖示之產品可能會有變動和更改,恕不事先通知.產品目錄中的技術數據和說明,我們所知是準確無誤的,

但我們不承擔資料上的差錯.遺漏或疏忽而引至的責任.此外,在正常應用或按要求應用本產品時,如由經

培訓或技術熟練的人員操作使用這些產品,是不會危及健康和安全的.

