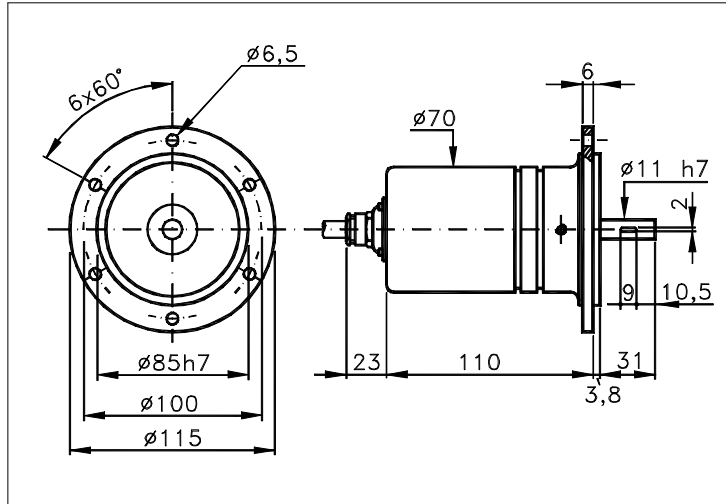


Sized draw standard version: CW Measures without tolerance according to UNI ISO 2768-mk



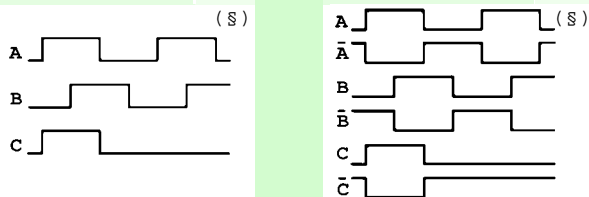
TECHNICAL FEATURES AND POSSIBLE CONFIGURATIONS

- Base.....: ANODIZED ALUMINIUM (\*)
  - Cover.....: ANODIZED ALUMINIUM (\*)
  - Weight.....: 850 g
  - Shaft.....: Ø 11 STAINLESS STEEL (\*)
  - Max.rad/axial load.: 25 kg
  - IP output side.(°): see 'CONNECTION' of page 2
  - IP shaft side..(°)> std. 66 | sealed 67 | low torq. -
  - opt. type (page 2).> standard | Z
  - Contin. max RPM(\*\*)> 6000 | 3000 | -
  - Starting torque gcm> 90 | 150 | -
  - MTTFd (°°).....: HIGH
  - Impact resistance....: 50 G x 11ms
  - Vibration resistance.: 12 G (10 ÷ 2000 Hz)
  - Power supply.....: 5÷30V (see page 2)
  - Operating temperature: 0 ÷ 70 °C (\*)
  - Storage temperature...: -30 ÷ 85 °C
  - N° of pulses/rev.....: 1 ÷ 90000
  - Max frequency.....: 100 kHz (300 option)
  - Max consumptions mA.: std 120 line driver 180 (\*)
- (°) IP according to CEI EN 60529, EN 60529, IEC 529  
(\*) custom options  
(°°) MTTFd according to EN ISO 13849-1  
(\*\*) intermittent max RPM + 30% of continuous max RPM

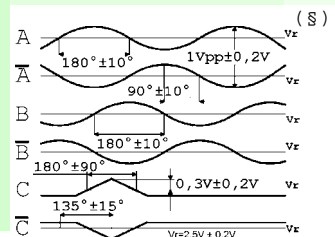
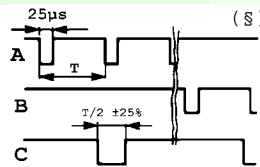
ELECTRONICS

CODE	DESCRIPTION	mA	CODE	DESCRIPTION	mA	CODE	DESCRIPTION	mA	CODE	DESCRIPTION	mA
	STANDARD NPN	10	N	DRIVER 26LS31	30	D	DISCRIMINAT.	70	Y	SINUSOID. 1Vpp	10
K	NPN OPEN COLL	10	T	TTL 7404	10						
Q	NPN	70	Z	DRIVER ET7272	30						
R	NPN OPEN COLL	70	L	2x PUSH-P.PRO	70						
P	PNP	70	M	2x PUSH-PULL	70						
U	PNP OPEN COLL	70									
B	PUSH-PULL PRO	70									
H	PUSH-PULL	70									

(§) Clock-wise output rotation (see shaft).

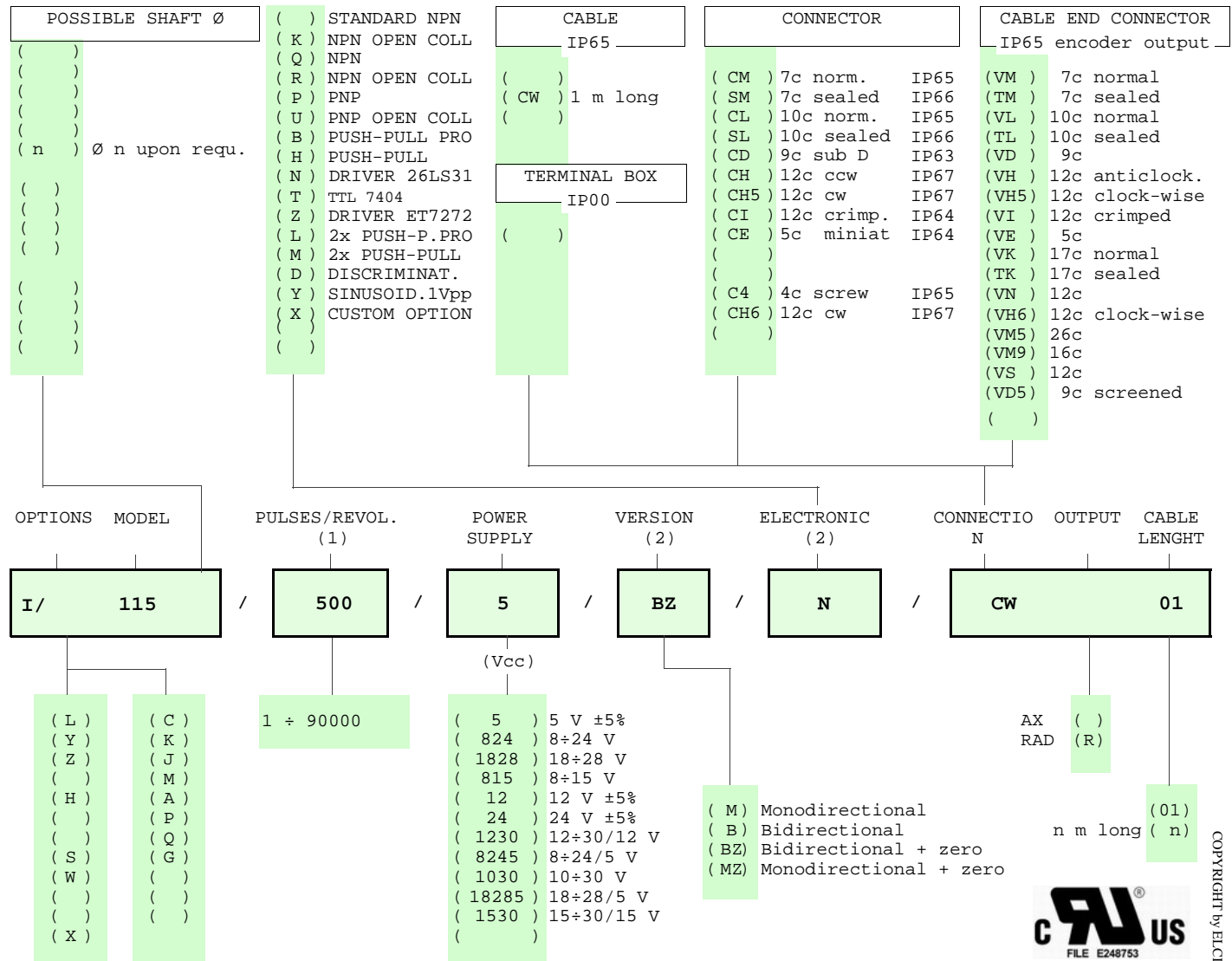


Tolerance between phases ± 25°, symmetry ± 15°



POSSIBLE OPTIONS				POSSIBLE CONNECTIONS								
CODE	DESCRIPTION	CODE	DESCRIPTION	CABLE				OUTPUT:				
L	Low temperature	C	Low consumption	CW				AX RAD				
Y	Unbreakable disk	Q	Oil seal	CONNECTOR				OUTPUT:				
Z	Sealed ball bearing	J	Zero logic combination	CM	SM	CL	SL	CD	CH	CH5	CI	AX RAD
H	Different shaft Ø	M	Impregnated electronic	CE			C4	CH6				
S	160 KHz frequency	A	High temperature	CABLE END CONNECTOR				OUTPUT:				
W	300 KHz frequency	P	Compressed air attack	VM	TM	VL	TL	VD	VH	VH5	VI	AX RAD
X	Custom options	K	Invert. phase A,B,Zero.	VE	VK	TK	VN	VH6	VM5	VM9	VS	
G	Tropicalization			VD5								
				TERMINAL BOX				OUTPUT:				

**ORDERING INFORMATION**



(1) For further information see PULSES/REVOL. data sheet  
(2) For further information see ELECTRONIC data sheet  
(3) For further information see CONNECTION data sheet

Product manufactured according to UNI EN ISO 9001:2008, supplied with CHECKING and CONFORMITY declaration with CE mark and with TWO (2) YEARS WARRANTY starting from delivery date.



COPYRIGHT by ELCIS - Collegno (TO)

