

Nitrogen Charging Unit DLE75



Power Pack Type Nitrogen Charging Unit DLE75

- **Working pressure up to 500 bar**
- **3.1 calibrated gauges and transducers**
- **Operating medium nitrogen**
- **Extensive range of accessories**
- **Compressed air and nitrogen as drive source possible**
- **Stable flight case for safe transport**

The MAXIMATOR Power Pack Type Nitrogen Charging Unit is specially designed for boosting of nitrogen from gas cylinders of up to 500 bar.

The station can be operated with both compressed air and also directly with nitrogen from a gas cylinder, thereby offering maximum mobility.

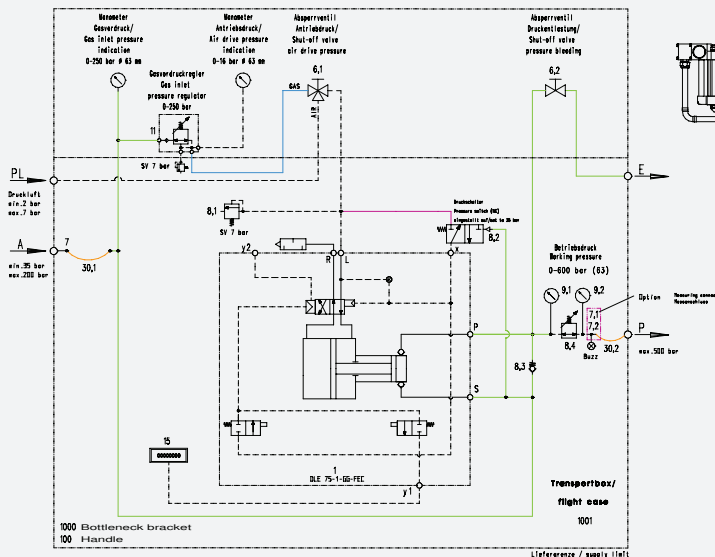


Technical Data

Type:	Nitrogen Charging Unit DLE 75-1-GG-FEC
Order Code:	3230.2111
Pressure Ratio:	1 : 75
Working Pressure P adjustable:	14 - 500 bar
Operating Media:	Nitrogen *
Flow Capacity max.:	depending on application
Connection Pressure Inlet PL/A:	1/2"BSPP / M16x1,5 (8S)
Connection Pressure Outlet P:	M16x1,5 (8S)
Air Drive Pressure:	min. 1 bar / max. 7 bar
Dimensions W x D x H:	450 x 550 x 500 mm
Dimensions Case W x D x H:	810 x 670 x 760 mm
Weight:	29 kg
Weight incl. Case:	62 kg

*other operating media on request

P & ID

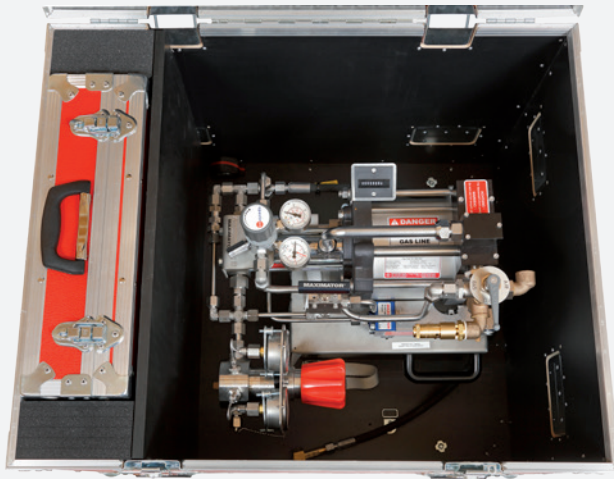


Pos. Description

- 1 DLE 75-1-GG-FEC
- 6,1 3-Way Ball Valve 1/2"
- 6,2 2-Way Angle Valve 15200psi 1/4" BSPP
- 7 N2 Bottle Connection
- 7,1 Adapter
- 8,1 Safety Valve 7 bar 1/2" BSPP
- 8,2 Air Pilot Switch
- 8,3 Non-return Valve
- 8,4 Maximator Pressure Regulator 690 bar Gas
- 9 Pressure Gauge 0-600 bar ø63mm
- 11 Pressure Regulator 300/10 bar
- 15 Stroke Counter
- 30 Hose
- 100 Handle
- 1000 Operating Panel
- 1001 Flight Case Nitrogen Charging Unit

Nitrogen Charging Unit DLE75

Scope of Supply



Nitrogen Charging Unit DLE75
with suction hose and N2 bottle
connection

Accessories

Flightcase

Fastener straps for gas bottle
assembly

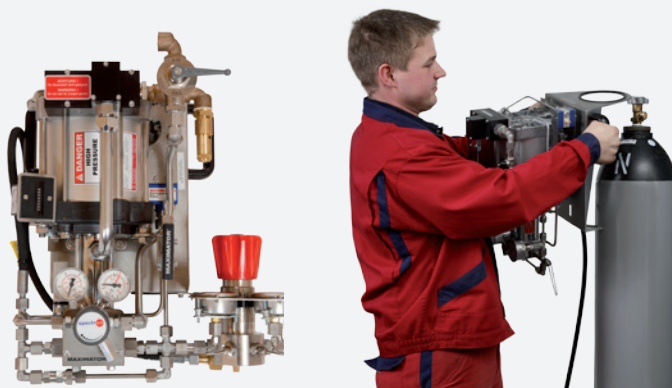
Accessories



Option Measuring Connection

Measuring hose

Connections



Air Drive Inlet: 1/2" BSPP

Pressure Outlet P: M16x1,5 (8S)

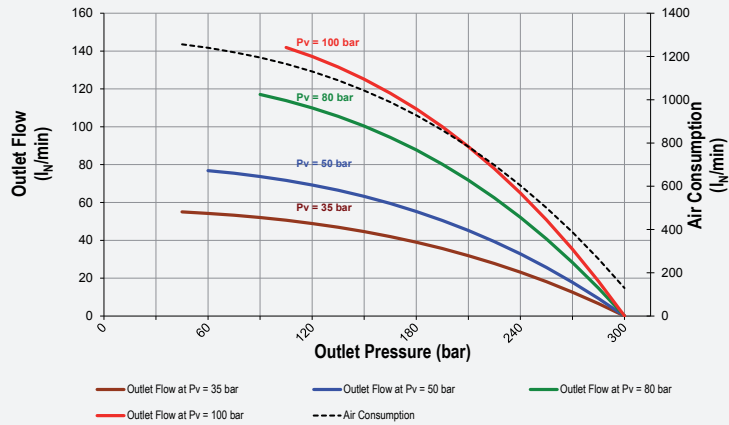
Gas Inlet: N2 gas bottle connection

Pressure Release: 1/4" BSPP

Performance Graph High Pressure Booster Type DLE 75-1

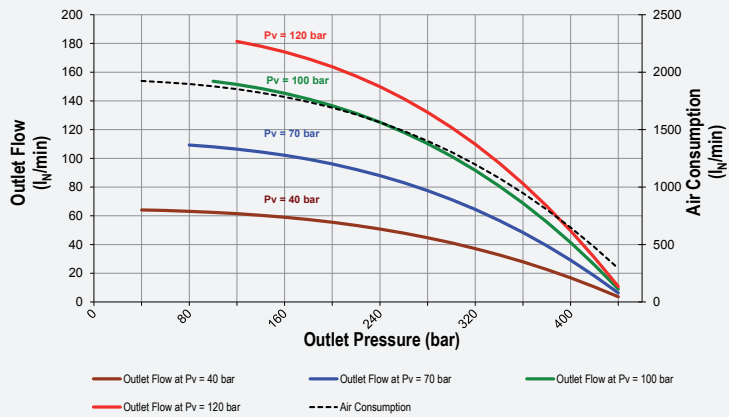
Performance Graph DLE 75 - 1
Drive Pressure 4 bar

Max. Outlet Pressure 750 bar



Performance Graph DLE 75 - 1
Drive Pressure 6 bar

Max. Outlet Pressure 750 bar



Performance Graph DLE 75 - 1
Drive Pressure 8 bar

Max. Outlet Pressure 750 bar

