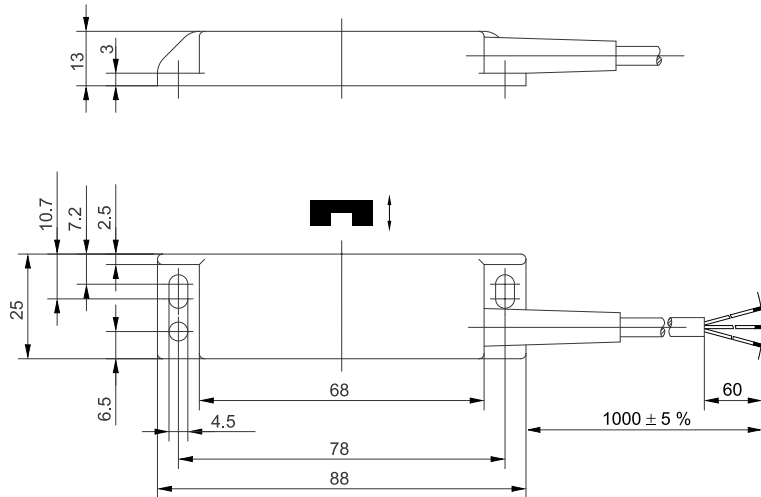
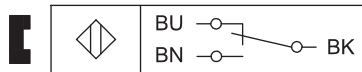


Magnetic Switch Series MA-42

Description **MAK-4213-M-1**

Article number **6317342535**

Wiring diagram



Identifying characteristics in accordance with EN 60947-5-2 and EN 62246-1

Elektrische Daten		
Assured operating distance	S_a	22 mm
Switching element function		change over
Reed contact	max. switching voltage	250 V AC / DC
	max. switching current	1 A
	max. switching capacity	80 VA / 60 W
	mechanical lifetime	3×10^8 switchings, however, according to load resetability
Repeat accuracy	R	$\pm 0,1$ mm, under same geometrical conditions at the same temperature
Max. Release point		44 mm
Shock		50 g (11 ms, ½ Sinevawe)
Vibration		35 g (10-1000 Hz)
Corresponding magnet		TK-42

Mechanical data	
Enclosure	PA6.6, black; encapsulated reed contact
Ambient air temperature	-5 °C bis +60 °C movable condition -20 °C bis +60 °C unmovable condition
Type of protection	IP 67 acc. to EN 60529
Termination type	cable 3 x 0,5 mm ² ; PVC-Outer jacket, black
Assembly position	optional (assembly on iron means reduction of switch distance)

EU Conformity
acc. to directive 2006/95/EC