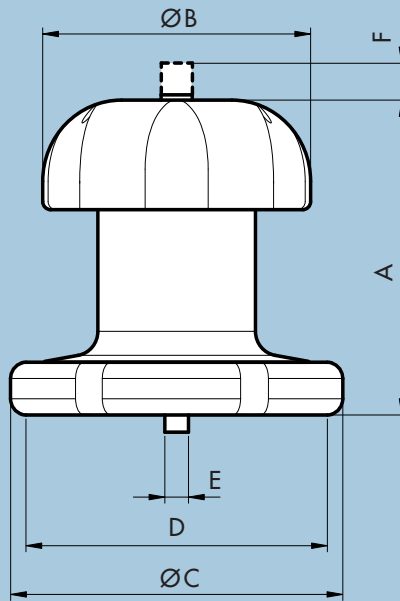


NovAseptic® Valve Manual Plastic Actuator

Catalogue Number NA##/150

Manual Plastic Actuator Configuration



Nominal Dimensions in mm (in.)

NA##	A	B	C	D*	E	F	Compatible Valve Body	
							NA##	NU###
NA12	58.0 (2.283)	50.0 (1.969)	47.0 (1.850)	TR40x2	M5	5.0 (0.197)	NA12	NU050
NA18	58.0 (2.283)	50.0 (1.969)	62.0 (2.441)	TR55x2	M5	5.0 (0.197)	NA18	NU075
NA25	78.0 (3.071)	66.0 (2.598)	84.0 (3.307)	TR75x2	M6	10.0 (0.394)	NA25	NU100
NA38	77.0 (3.031)	66.0 (2.598)	95.0 (3.740)	TR85x2	M6	10.0 (0.394)	NA38	NU150
NA51	91.0 (3.583)	99.0 (3.898)	120.0 (4.724)	TR109x2	M6	15.0 (0.591)	NA51	NU200
NA76	98.0 (3.858)	99.0 (3.898)	159.0 (6.260)	TR146x2	M6	20.0 (0.787)	NA76	NU300

* Note: Non-standard thread, Actuator specific.

Specifications

Net Weight (approximate)

Actuator	NA12	NA18	NA25	NA38	NA51	NA76
Weight kg (lb)	0.3 (0.66)	0.4 (0.88)	1.0 (2.20)	1.2 (2.65)	2.2 (4.85)	3.7 (8.16)

Material

	Cover Stainless Steel in Compliance with		Indicator Stainless Steel in Compliance with	Handle Plastic in Compliance with
Material Code	EN 1.4305	ASTM® 303	SS 2346	Oilon

Performance Specifications

Surface Roughness: External surface Ra ≤ 1.6µm (63µin)

Environment Temperature: 0 to 70 °C (32 to 158 °F)

Design Pressure: -1 to 10 bar(g) (-14.5 to 145 psi(g))

Note! The applied valve body and diaphragm may have different design temperature and/or pressure limits. The weakest component in the assembled product determines the maximum design temperature and pressure limits.

Labeling: Each Actuator is labeled for full LOT traceability according to Millipore QA routines.

Packaging: The Actuator is packaged in a closed box.

Quality Control: Millipore Quality Assurance System guarantees the control and traceability of the product.

Options: For non-standard NovAseptic Actuator Options, please contact Millipore for further information.

To Place an Order or Receive Technical Assistance

For additional information call your nearest Millipore office or visit us at www.millipore.com. In the U.S. and Canada, call toll-free 1-800-MILLIPORE (1-800-645-5476). In the U.S., Canada and Puerto Rico, fax orders to 1-800-MILLIFX (1-800-645-5439).



Millipore and NovAseptic are registered trademarks of Millipore Corporation or an affiliated company. ASTM is a registered trademark of the American Society for Testing and Materials. Specifications subject to change without notice. Lit. No. SP1118EN00 Rev. -, 09/2006. Replaces DS-062 © 2006 Millipore Corporation. All rights reserved.