
**Housing-Material:**

- ASTM A743 Gr.CA40

**Nominal diameters:** DN15, DN20, DN25

**Connections:**

- Female thread G 1/2"-1" (BSP) acc. DIN ISO 228-1
- Female thread Rp 1/2"-1" (BSPT) acc. DIN 2999
- Female thread 1/2"-1" NPT as ANSI B 1.20.1
- Socket weld DN 15-25 acc. DIN EN 12760 as ANSI B 16.11
- Flanges DN 15-25, acc. DIN EN 1092-1, PN40 (optional)
- Flanges 1/2"-1", acc. ANSI B 16.5, Class 150 & 300 (optional)

**Nominal pressure stage:** PN 40

**Operating limits:**

	Thread	Socket weld
Max. operating pressure (bar g)	31,6	55
Max. operating temperature (°C)	427	450

**Min. operating pressure:** 0,25 bar g

**Max. back pressure:** not to exceed 80% of initial pressure

**Media:** Steam/-condensate

**Function:** Periodic removal of condensate and ventilation of steam systems by using the thermodynamic effect.

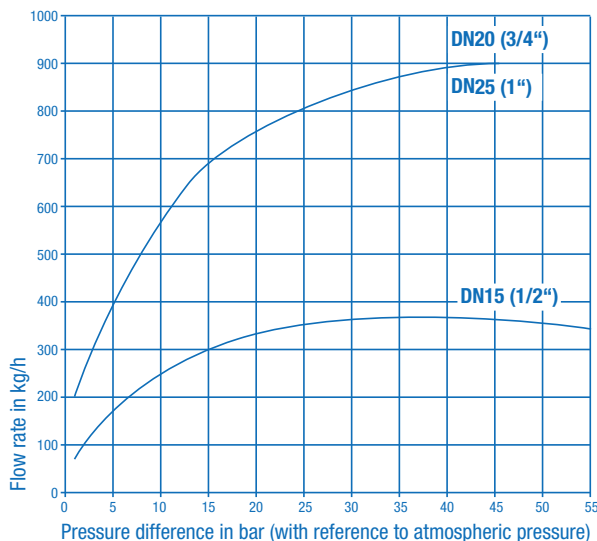
**Special characteristics:**

- compact design
- adapts itself automatically to the operating conditions
- drains the condensate with very low heat loss
- tough valve design
- resistant against water shocks
- seal-less design, metallic sealing

**Installation:** preferably horizontal, vertical possible

**As option at additional charge:**

- Blow-Down-Valve
- Weld-on flanges

**Performance:**

**CE - Mark:**

The pressure equipment is in accordance with the Pressure Vessel Directive 2014/68/EU, Article 4, subsection 3 and bears no CE mark.

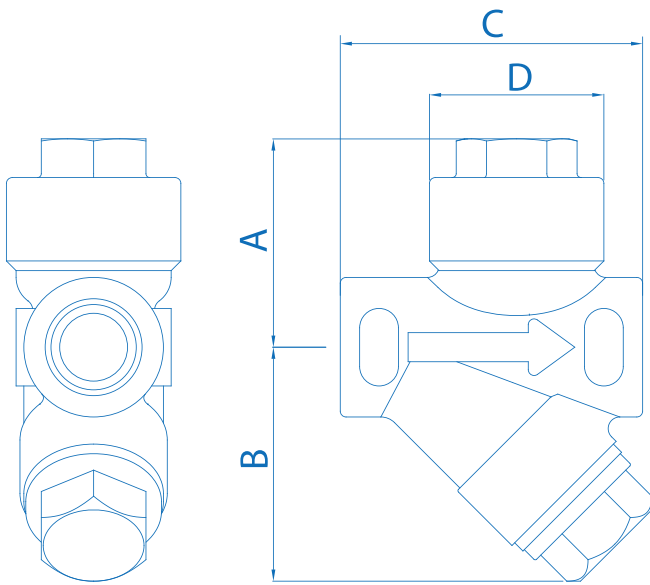
**Please state the following when making inquiries/placing orders:**

Medium, initial pressure, counter-pressure, temperature, quantity of condensation (kg/h).

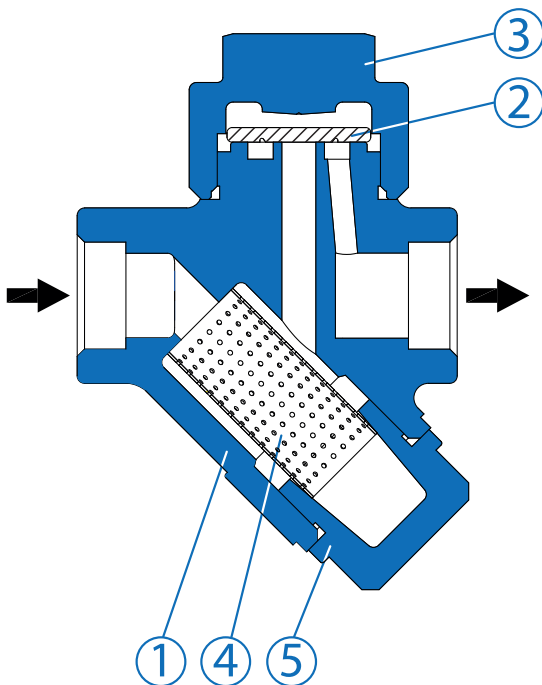


Dimensions (in mm) Weight (in kg)

DN	A	B	C	D	Weight
15 (1/2")	52	54	78	45	1,2
20 (3/4")	52	54	78	45	1,2
25 (1")	61	73	95	45	1,5



Spare Part



- 1 **Housing:** ASTM A743 Gr.CA40
- 2 **Disc\*:** ASTM A276 Tp. 420
- 3 **Cover:** ASTM A743 Gr.CA40
- 4 **Strainer:** ASTM A240 Tp. 304
- 5 **Screw plug:** ASTM A743 Gr.CA40

\* Due to sealing requirements, marked items cannot be supplied as individual parts.

To ensure correct parts delivery, specify part number, works standard sheet number RD321 and DN.