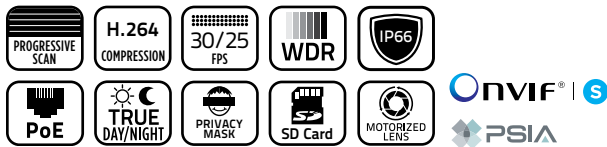


# 1.3MPx and 3MPx Intelligent IP Bullet Cameras

IP Open Standards cameras with motorized varifocal lens technology



## OVERVIEW

TruVision IP Open Standards outdoor bullet cameras by Interlogix bring state-of-the-art, high-definition images to the mass video surveillance market. Designed to adhere to PSIA and ONVIF Profile S open communication standards, these cameras also support a CGI command set for simple integration into any IP system. 1.3MPx and 3MPx resolution options provide the flexibility for a wide variety of applications.

Motorized varifocal lens technology allows the user to remotely adjust the varifocal lens length and focus the camera with the touch of a button. H.264 compression with triple-streaming capability makes it easy to manage bandwidth usage. Memory card recording protects data in the event of network disruptions.

These cameras go above and beyond standard motion detection with enhanced alarm capabilities, including cross-line, intrusion, de-focus and face detection features. Each is user-configurable to best suit the installation environment. A Region of Interest function ensures specific portions of an image are given priority during instances of high network traffic or network degradation.

Location-specific functions include a Hallway View Mode to provide a portrait view of a hallway or corridor, a De-Fog Mode to help resolve images through fog or rain and Electronic Image Stabilization for installations subject to physical vibration or shaking.

## STANDARD FEATURES

### Video

- 1.3MPx and 3MPx imagers
- H.264 compression technology with triple-streaming capability accommodates multiple settings
- Long zoom and IR range
- Motorized varifocal lens technology provides remote autofocus
- Designed to PSIA and ONVIF Profile S open standards

### Video Enhancement

- True Day/Night functionality and infrared illuminators to capture images in various lighting scenarios
- Up to 120dB of Wide Dynamic Range (WDR) performance for contrasting lighting environments
- ROI (Region of Interest), Hallway View, Mirror, De-Fog and Electronic Image Stabilization features

### Advanced Alarm Intelligence

- Integrated motion detection and privacy masking
- Face detection, cross line, intrusion detection, de-focus and scene change detection

### Edge Recording

- Edge recording supports up to 128GB micro SD/SDHC/SDXC card video playback (card not included)

### Installation and Environment

- IP66 environmental rating, vandal-resistant housings
- Included TruVision Device Manager program provides fast and easy access to newly added system devices

### Warranty

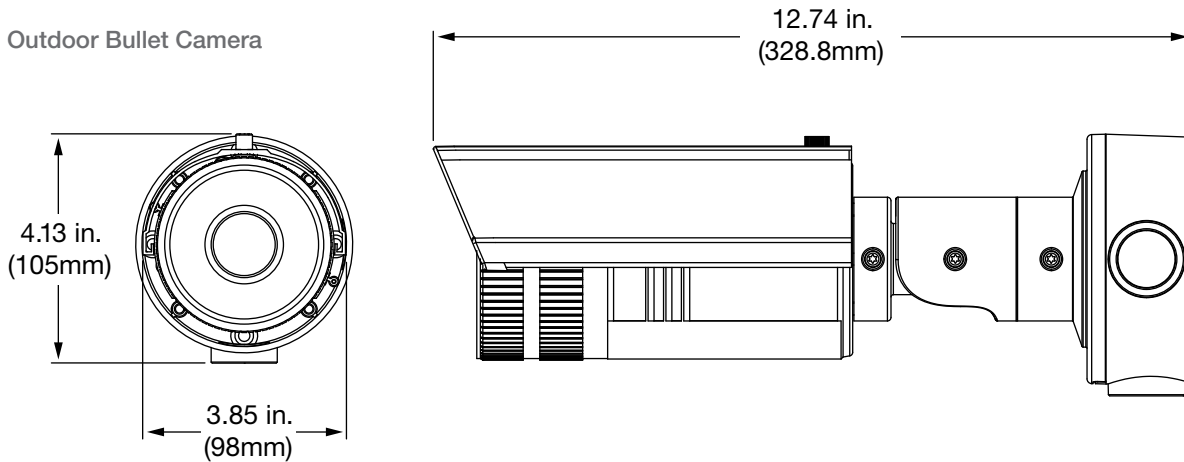
- 3-Year warranty

## Application

TruVision® IP outdoor cameras are specifically designed for applications that require high-quality IP images. These cameras provide ideal surveillance for environments such as retail, banking, education, airports or gaming, where detailed image capture is critical for effectively monitoring people and transactions.

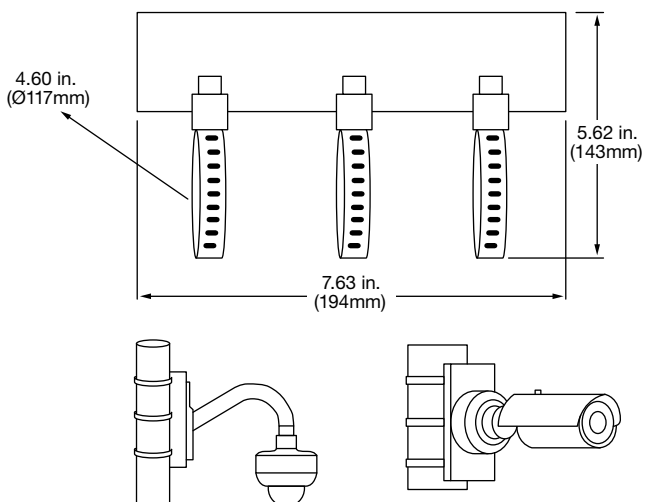
## Dimensional Diagrams

Outdoor Bullet Camera

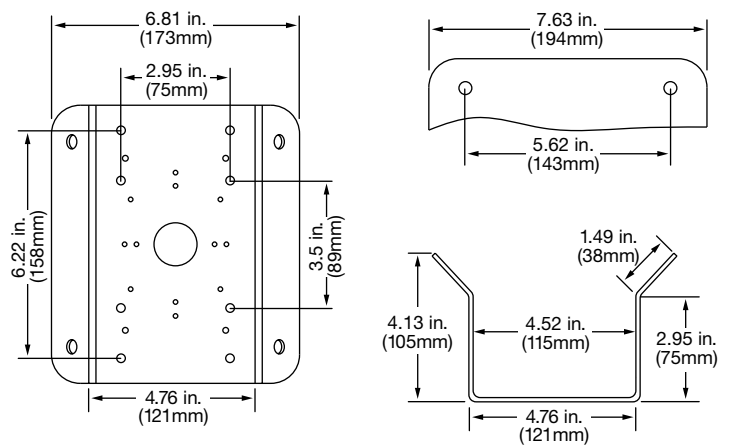


## Accessories



**TVD-M-PMA** Pole Mount Adaptor



**TVD-M-CMA** Corner Mount Adaptor



# Specifications

PART NO.		TVB-3201 TVB-1201	TVB-3202 TVB-1202	TVB-3203 TVB-1203
Description				
Camera	Sensor	1/3" Progressive Scan CMOS sensor		
	Day/Night	IR Cut Filter		
	IP Compression	H.264 (Baseline profile / Main profile / High profile) / MPEG4 / MJPEG		
	Maximum Resolution (@ fps)	1280 x 960 @ 25fps (50Hz) 1280 x 960 @ 30fps (60Hz)	2048 x 1536 @ 20fps (50Hz) 2048 x 1536 @ 20fps (60Hz)	2048 x 1536 @ 20fps (50Hz) 2048 x 1536 @ 20fps (60Hz)
	Maximum Real-Time Resolution (@ fps)	1280 x 960 @ 25fps (50Hz ) 1280 x 960 @ 30fps (60Hz) 1280 x 720 @ 50fps (50Hz, WDR off ) 1280 x 720 @ 60fps (60Hz, WDR off)	1920 x 1080 @ 25fps (50Hz ) 1920 x 1080 @ 30fps (60Hz)	1920 x 1080 @ 25fps (50Hz ) 1920 x 1080 @ 30fps (60Hz)
	Multiple Streaming	Triple Streams		
	Video Bit Rate	128 kbps to 16 Mbps, or user-defined		
	WDR	120dB		
	Sensitivity	Color 0.01 lux @ f1.2, AGC ON 0 lux IR ON	Color 0.1 lux @ f1.2, AGC ON 0 lux IR ON	
	S/N Ratio	50 dB (AGC OFF)		
	Auto Exposure (shutter)	50 Hz: 1/25s ~ 1/100,000s 60 Hz: 1/30s ~ 1/100,000s		
	Composite Output (BNC)	External BNC cable in package box		
	Lens	2.8~12mm motorized lens	2.8~12mm motorized lens	8~32mm motorized lens
	Focus	One touch Remote Auto Focus		
IR Distance	98 ft. (30m)		164 ft. (50m)	
Electrical	Voltage Input	12VDC PoE (IEEE 802.3-af)		
	Current	1A		
	Power Consumption	Max. 12W	Max. 12.5W	
	I/O Connection	1/1		
Network	Network Protocols	TCP/IP, UDP, HTTP, DHCP, DNS, DDNS, ezDDNS, DynDNS, RTP, RTSP, PPPoE, SMTP, NTP, SNMP, HTTPS, FTP, UPnP, NAT, MULTICAST, 802.1x, Qos, IPv4, IPv6		
	PoE	IEEE 802.3-af		
	Port	10/100Mbps, auto-negotiate, Ethernet port (RJ45)		
Local Storage	Media	Micro SD/SDHC/SDXC slot		
	Capacity	Up to 128GB (card not included)		
Camera Alarms	Basic	Motion Detection, Tamper Proof, Privacy Mask		
	Advanced	Face Detection, Cross Line, Intrusion Detection, De-focus Detection, Scene Change Detection		
Standard & Integration	ONVIF Profile S, PSIA, CGI			
Display	Display mode	ROI (Region of Interest), Hallway View, Mirror, De-fog, Electronic Image Stabilization		
	OSD	Text overlay and picture overlay		
Mechanical/ Environment	Dimensions	3.86 x 4.0 x 12.74 in (98 x 105 x 328.8 mm)		
	Weight	3.75 lbs. (1700g)	4.63 lbs. (2100g)	
	Storage Temperature	-20°C~70°C (-4°F~158°F)		-20°C~70°C (-4°F~158°F)
	Operating Temperature (cold start)	-14°F~140°F (-10°C~60°C)		
	Operating Temperature	-22°F~140°F (-30°C~60°C)		
Environmental Rating	IP66			
Regulation	Compliance	FCC, CE, UL, C-Tick, REACH, RoHS, WEEE		

# 1.3MPx and 3MPx Intelligent IP Bullet Cameras

IP Open Standards cameras with  
motorized varifocal lens technology

## Ordering Information

### NTSC

<b>TVB-3201</b>	TruVision® IP Bullet Camera, 1.3MPx, 2.8~12mm Motorized Lens, WDR, True D/N, 30m IR, Alarm, SD/SHDC Slot, Intelligence, PoE (802.3-af) /12VDC, Heater, IP66, NTSC
<b>TVB-3202</b>	TruVision IP Bullet Camera, 3MPx, 2.8~12mm Motorized Lens, WDR, True D/N, 30m IR, Alarm, SD/SHDC Slot, Intelligence, PoE (802.3-af) /12VDC, Heater, IP66, NTSC
<b>TVB-3203</b>	TruVision IP Bullet Camera, 3MPx, 8~32mm Motorized Lens, WDR, True D/N, 50m IR, Alarm, SD/SHDC Slot, Intelligence, PoE (802.3-af) /12VDC, Heater, IP66, NTSC

### PAL

<b>TVB-1201</b>	TruVision IP Bullet Camera, 1.3MPx, 2.8~12mm Motorized Lens, WDR, True D/N, 30m IR, Alarm, SD/SHDC Slot, Intelligence, PoE (802.3-af) /12VDC, Heater, IP66, PAL
<b>TVB-1202</b>	TruVision IP Bullet Camera, 3MPx, 2.8~12mm Motorized Lens, WDR, True D/N, 30m IR, Alarm, SD/SHDC Slot, Intelligence, PoE (802.3-af) /12VDC, Heater, IP66, PAL
<b>TVB-1203</b>	TruVision IP Bullet Camera, 3MPx, 8~32mm Motorized Lens, WDR, True D/N, 50m IR, Alarm, SD/SHDC Slot, Intelligence, PoE (802.3-af) /12VDC, Heater, IP66, PAL



[interlogix.com](http://interlogix.com)

Specifications subject to change without notice.

© 2016 United Technologies Corporation. All rights reserved.  
All trademarks are the property of their respective owners.  
Interlogix is part of UTC Climate, Controls & Security,  
a unit of United Technologies Corporation.

2016/12 (GSP-2201)