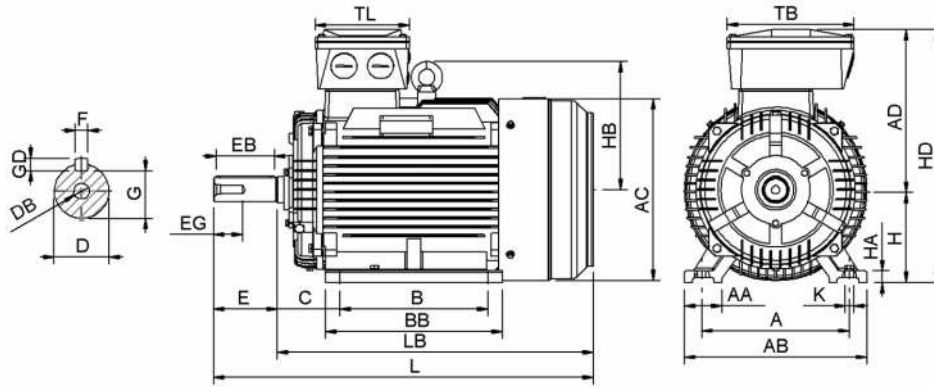


Data Sheet

Itemnumber....: 5563151100



A = 508	AC = 618	BB = 680	DB = M20	EG = 56	GD = 14	HB = 430	L = 1333	TB = 400
AA = 120	AD = 546	C = 216	E = 170	F = 22	H = 315	HD = 861	LB = 1163	TL = 280
AB = 628	B = 457	D = 80	EB = 160	G = 71	HA = 45	K = 6	LE = 1276	

<p>Version Type.....: HMC3 315M-6 Design.....: Induction motor Standard series.....: IEC 60034 Phase / Voltage range.....: 3~ / Low</p> <p>Electrical design Efficiency.....: IE3 Pole.....: 6 Power at 50 Hz (kW).....: 90,0 Hz.....: 50 Voltage.....: 400VD/690VY Winding voltage.....: 400VD/690VY 50 Hz Power output (kW).....: 90,0 Duty.....: S1 Insulation class.....: F Temperature rise.....: B</p> <p>Motor protection Thermal protection main....: PTC 3x 155 dgr Thermal protection second..: None Space heater.....: None Temperature detector.....: No SPM.....: No IR wire.....: No Tropical insulation.....: No</p> <p>Explosion protection According to.....: None Type of protection.....: None</p> <p>General Direction of rotation.....: CW Painting.....: RAL 9005 Gloss 10 Nameplate.....: Multivoltage Special packing.....: No Special requirements.....: No</p>	<p>Mechanical design Frame size.....: 315 Mounting.....: B3 Rain cap.....: No Protection class.....: IP55 Cooling method.....: IC411/TEFC External grounding.....: Yes Drain hole.....: Yes Frame material.....: Cast Iron Material approval.....: None Shaft.....: IEC standard Key.....: Closed key Balancing.....: Half key balancing Vibration class.....: Grade-A Weight (kg).....: 1.021</p> <p>Environment condition Ambient temp. min. (°C)..: -20 Ambient temp. max. (°C)..: 40 Altitude (mtr up to).....: 1000</p>	<p>Bearing DE Bearing.....: NU319/C3 NDE Bearing.....: 6319/C3 Fixed bearing.....: NDE</p> <p>Terminal box Tbox position.....: Top Cable entry direction.....: Right (from DE) Cable entry Main.....: 2 x M63x1,5 Metal blindcaps Accessory.....: 2 x M20x1,5 Metal blindcaps Connection type.....: Delta (D) Terminal board thread.....: 6-M16</p> <p>Test values Rotor inertia (kgm²).....: 4,62 Noise level (dB(A)).....: 76 No load current (A).....: 40,5 Winding resist. (ohm).....: 0,048 Starting time (sec.).....: 0,36 Temp. rise winding (K).....: 58 Temp. rise surface (K).....: 49</p>
---	---	--

Rated power (kW)	90,0	87,5	108	104
Frequency (Hz)	50	50	60	60
Voltage (V)	400 690	380 660	480 830	440
Connection	D Y	D Y	D Y	D
Full load current (A)	158 91,5	164 94,5	158 91,5	164
Speed (rpm)	990	990	1180	1180
Power factor cos(phi)	0,88	0,89	0,88	0,89
Efficiency, 100/75/50 (%)	95,0/95,6/94,9	95,0/95,6/94,9	95,0/95,6/94,9	94,6/95,3/94,5
Ist/In	5,7	5	5,7	5,3
Full load torque (Nm)	870	845	870	845
Tst/Tn	1,9	1,7	1,9	1,6
Tmax /Tn	2,2	2,0	2,2	1,9
Duty	S1	S1	S1	S1
Ambient temp. (°C)	40	45	40	45