

LMP 900-901 series

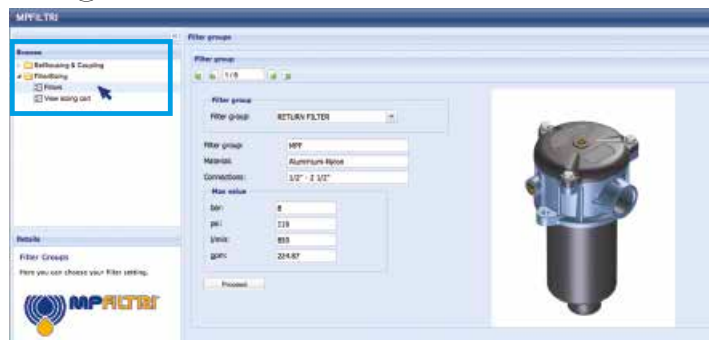
Filter element according to DIN 24550

Maximum working pressure up to 3 MPa (30 bar) - Flow rate up to 2000 l/min



TYPICAL FILTER SIZING Selection Software

Step 1 Select "FILTERS"



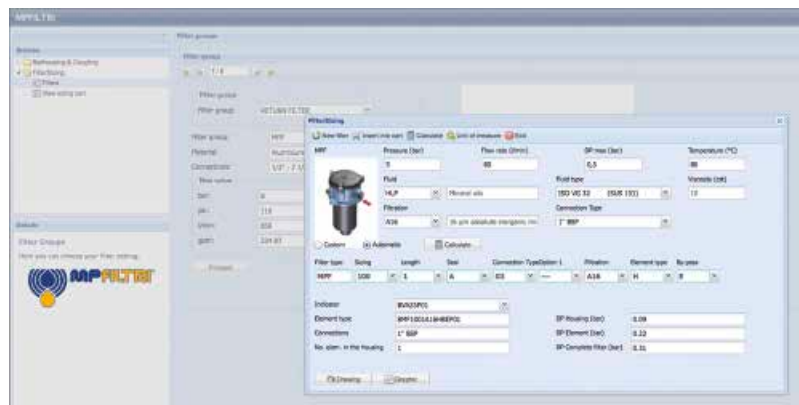
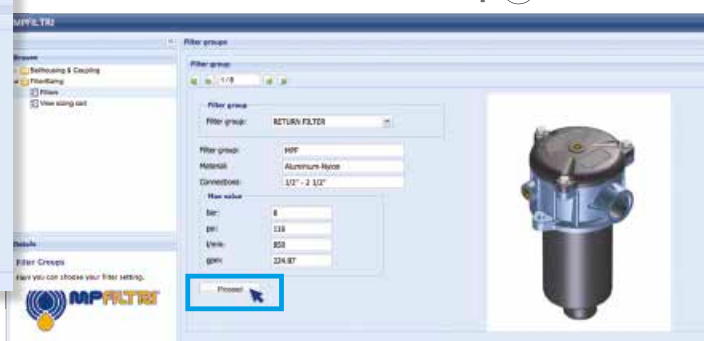
Step 2 Choose filter group (Return Filter, Pressure Filter, etc.)



Step 3 Choose filter type (MPF, MPT, etc.) in function of the max working pressure and the max flow rate



Step 4 Push "PROCEED"



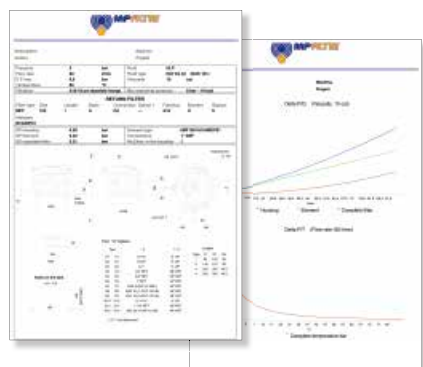
Step 5

Insert all application data to calculate the filter size following the sequence:

- working pressure
- working flow rate
- working pressure drop
- working temperature
- fluid material and fluid type
- filtration media
- connection type

Step 6

Push "CALCULATE" to have result; in case of any mistake, the system will advice which parameter is out of range to allow to modify/adjust the selection



Step 7

Download PDF Datasheet "Report.aspx" pushing the button "Drawing"



LMP 900-901 GENERAL INFORMATION

Filter element according to DIN 24550

Description

Low & Medium Pressure filters

Maximum working pressure up to 3 MPa (30 bar)

Flow rate up to 2000 l/min

LMP900 is a range of low pressure filter with large filtration surface mainly suitable for lubrication, off-line filtration of the reservoirs and filtration equipment.

They are directly connected to the lines of the system through the hydraulic fittings.

Available features:

- Flanged connections up to 4", for a maximum flow rate of 2000 l/min
- In line or 90° connections, to meet any type of application
- Filter element designed in accordance with DIN 24550 regulation
- Fine filtration rating, to get a good cleanliness level into the system
- Water removal elements, to remove the free water from the hydraulic fluid. For further information, see the Contamination Management document and the dedicate leaflet.
- Bypass valve, to relieve excessive pressure drop across the filter media
- Vent ports, to avoid air trapped into the filter going into the system
- Drain ports, to remove the fluid from the housing prior the maintenance work
- Visual, electrical and electronic differential clogging indicators

Common applications:

- Off-line filtration of reservoirs
- Filtration systems
- Lubrication systems

Technical data

Filter housing materials

- Head: Anodized Aluminium
- Housing: Anodized Aluminium
- Manifolds: Anodized Aluminium
- Bypass valve: Steel

Pressure

- Test pressure: 4.5 MPa (45 bar)
- Burst pressure: 12 MPa (120 bar)
- Pulse pressure fatigue test: 1 000 000 cycles with pressure from 0 to 3 MPa (30 bar)

Bypass valve

- Opening pressure 350 kPa (3.5 bar) ±10%
- Other opening pressures on request.

Number of filter elements

LMP 900-1: 1 filter element CU900

LMP 900-2: 2 filter elements CU900

Filter elements

Filter element according to DIN 24550

Size: 1000

Δp element type

- Microfibre filter elements - series N: 20 bar
- Fluid flow through the filter element from OUT to IN

Connections

LMP 900: In-line Inlet/Outlet

LMP 901: 90° Inlet/Outlet

Seals

- Standard NBR series A
- Optional FPM series V

Temperature

From -25 °C to +110 °C

Note

LMP 900 - 901 filters are provided for vertical mounting



Weights [kg] and volumes [dm³]

Filter series	Weights [kg]			Volumes [dm³]		
	Length	1	2	Length	1	2
LMP 900-901		19.2	30.4		16	24

GENERAL INFORMATION LMP 900-901

Filter element according to DIN 24550

FILTER ASSEMBLY SIZING
Flow rates [l/min]

Filter series	Length	Filter element design - N Series						M25 M60 M90 M250
		A03	A06	A10	A16	A25		
LMP 900	1	706	877	1264	1291	1444	1803	
	2	1100	1264	1556	1573	1668	1867	
LMP 901	1	715	899	1337	1369	1552	2000	
	2	1147	1337	1689	1710	1828	2081	

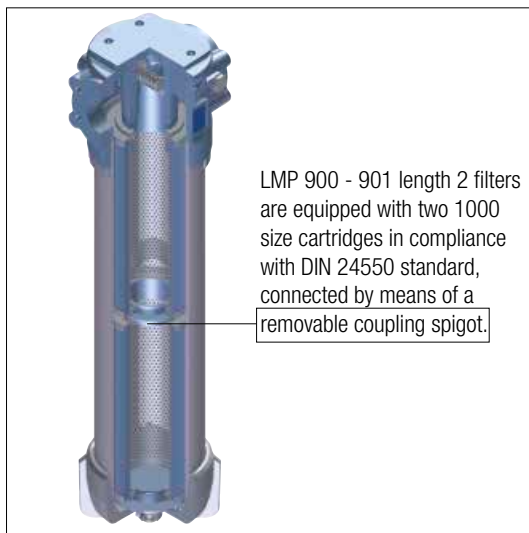
Maximum flow rate for a complete low and medium pressure filter with a pressure drop $\Delta p = 0.7$ bar.

The reference fluid has a kinematic viscosity of 30 mm²/s (cSt) and a density of 0.86 kg/dm³.

For different pressure drop or fluid viscosity we recommend to use our selection software available on www.mpfiltri.com.

You can also calculate the right size using the formulas present on the FILTER SIZING paragraph at the beginning of the full catalogue or at the beginning of the filter family brochure. Please, contact our Sales Department for further additional information.

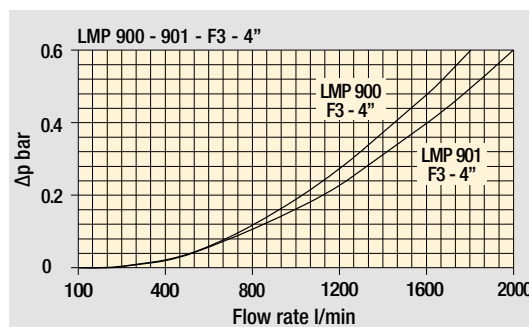
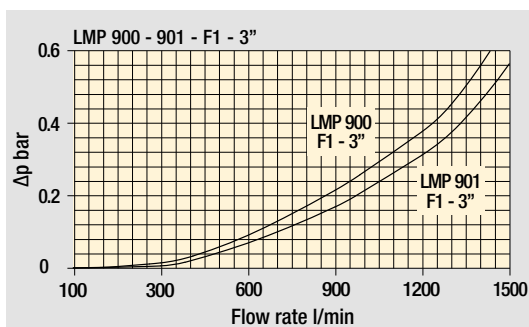
LMP 900-901 Length 2



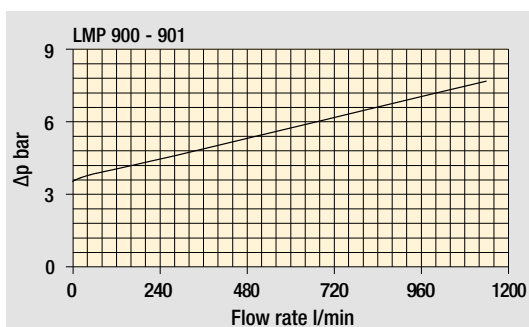
Hydraulic symbols

Filter series	Execution S	Execution B
LMP 900-901	●	●

Pressure drop Filter housings Δp pressure drop



Bypass valve pressure drop



The curves are plotted using mineral oil with density of 0.86 kg/dm³ in compliance with ISO 3968. Δp varies proportionally with density.

LMP 900-901 Filter element according to DIN 24550

Designation & Ordering code

COMPLETE FILTER

Series and size LMP900 LMP901	Configuration example: LMP901 2 B A F2 A10 N P01							
Length 1 2								
Bypass valve S Without bypass B 3.5 bar								
Seals and treatments A NBR V FPM								
Connections F1 3" SAE 3000 psi/M F2 3" SAE 3000 psi/UNC F3 4" SAE 3000 psi/M F4 4" SAE 3000 psi/UNC								
Filtration rating (filter media) A03 Inorganic microfiber 3 µm A06 Inorganic microfiber 6 µm A10 Inorganic microfiber 10 µm A16 Inorganic microfiber 16 µm A25 Inorganic microfiber 25 µm M25 Wire mesh 25 µm M60 Wire mesh 60 µm M90 Wire mesh 90 µm WA025 Water absorber inorganic microfiber 25 µm								
Element Δp N 20 bar	Execution P01 MP Filtri standard P02 Maintenance from the bottom of the housing Pxx Customized		Filter length 1 2					

FILTER ELEMENT

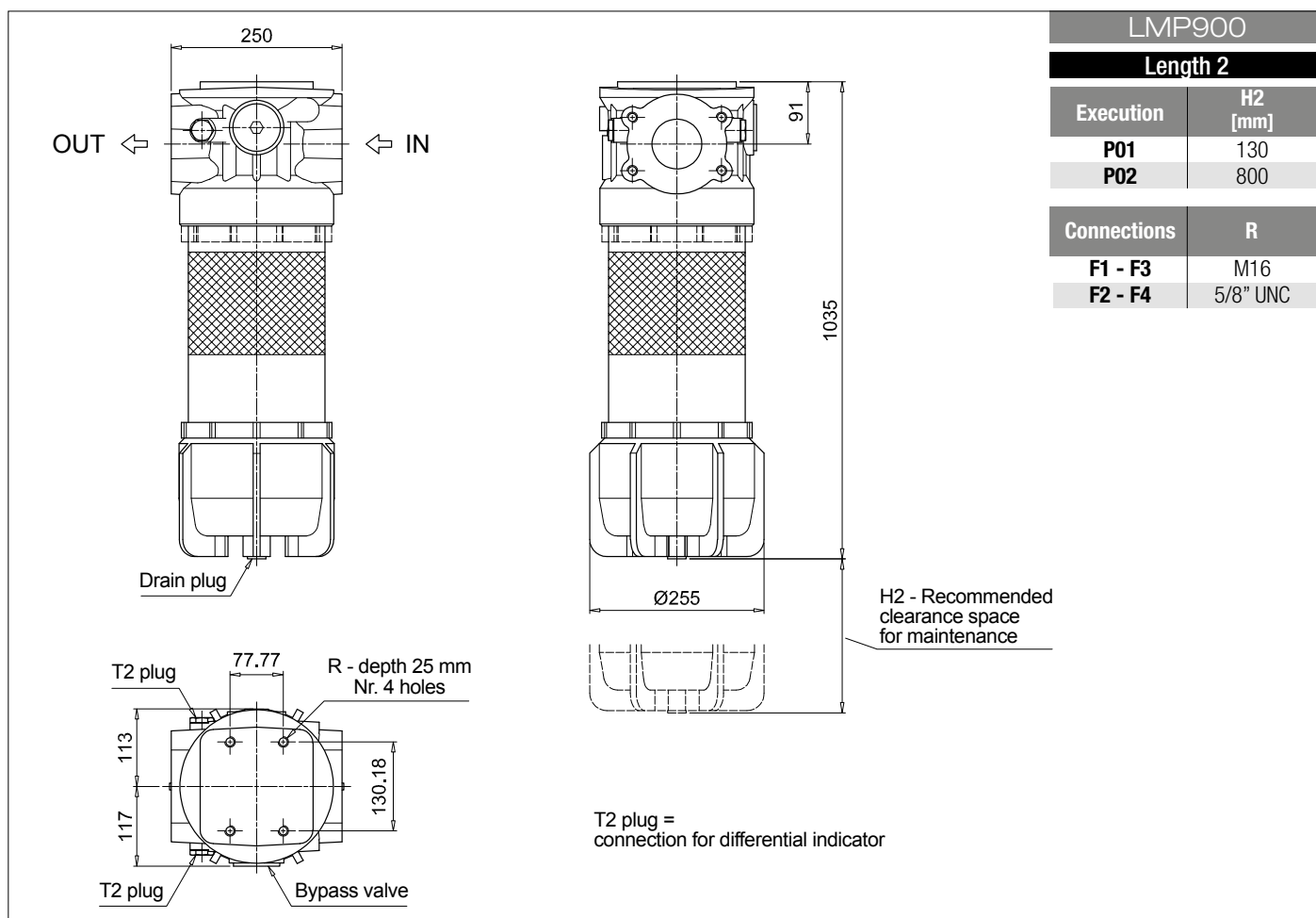
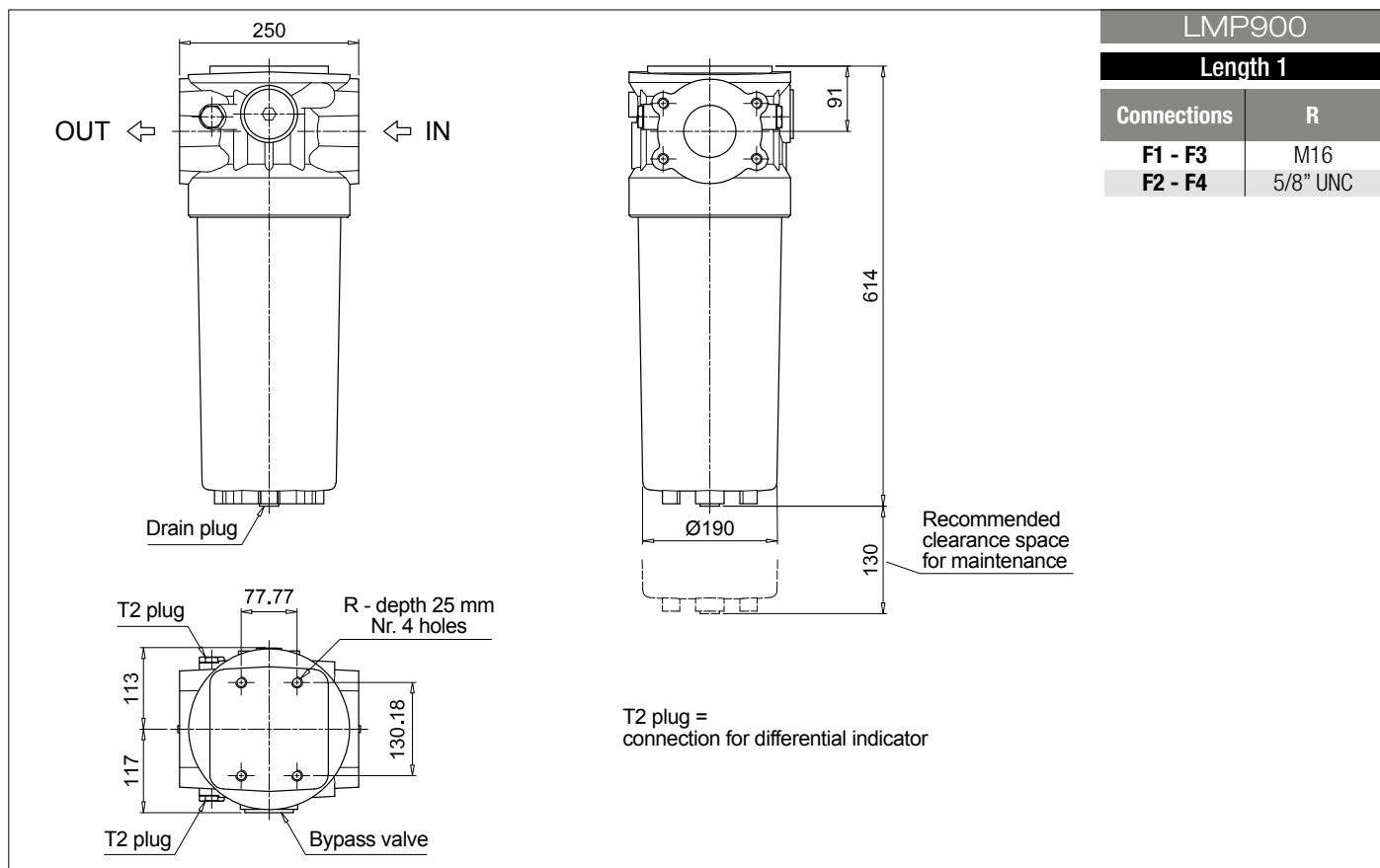
Element series and size CU900	Configuration example: CU900 A10 A N P01							
Length 1 Nr. 1 filter element 2 Nr. 2 filter elements								
Filtration rating (filter media) A03 Inorganic microfiber 3 µm A06 Inorganic microfiber 6 µm A10 Inorganic microfiber 10 µm A16 Inorganic microfiber 16 µm A25 Inorganic microfiber 25 µm M25 Wire mesh 25 µm M60 Wire mesh 60 µm M90 Wire mesh 90 µm WA025 Water absorber inorganic microfiber 25 µm								
Seals A NBR V FPM	Element Δp N 20 bar		Execution P01 MP Filtri standard Pxx Customized					

ACCESSORIES

Differential indicators	page				page
DEA Electrical differential indicator	445	DTA Electronic differential indicator			448
DEM Electrical differential indicator	445-446	DVA Visual differential indicator			448
DLA Electrical / visual differential indicator	446-447	DVM Visual differential indicator			448
DLE Electrical / visual differential indicator	447				
Additional features	Filter length		Filter length		page
T2 Plug	1	2	1	2	page
	•	•		•	449
CFA Retaining clamp					450

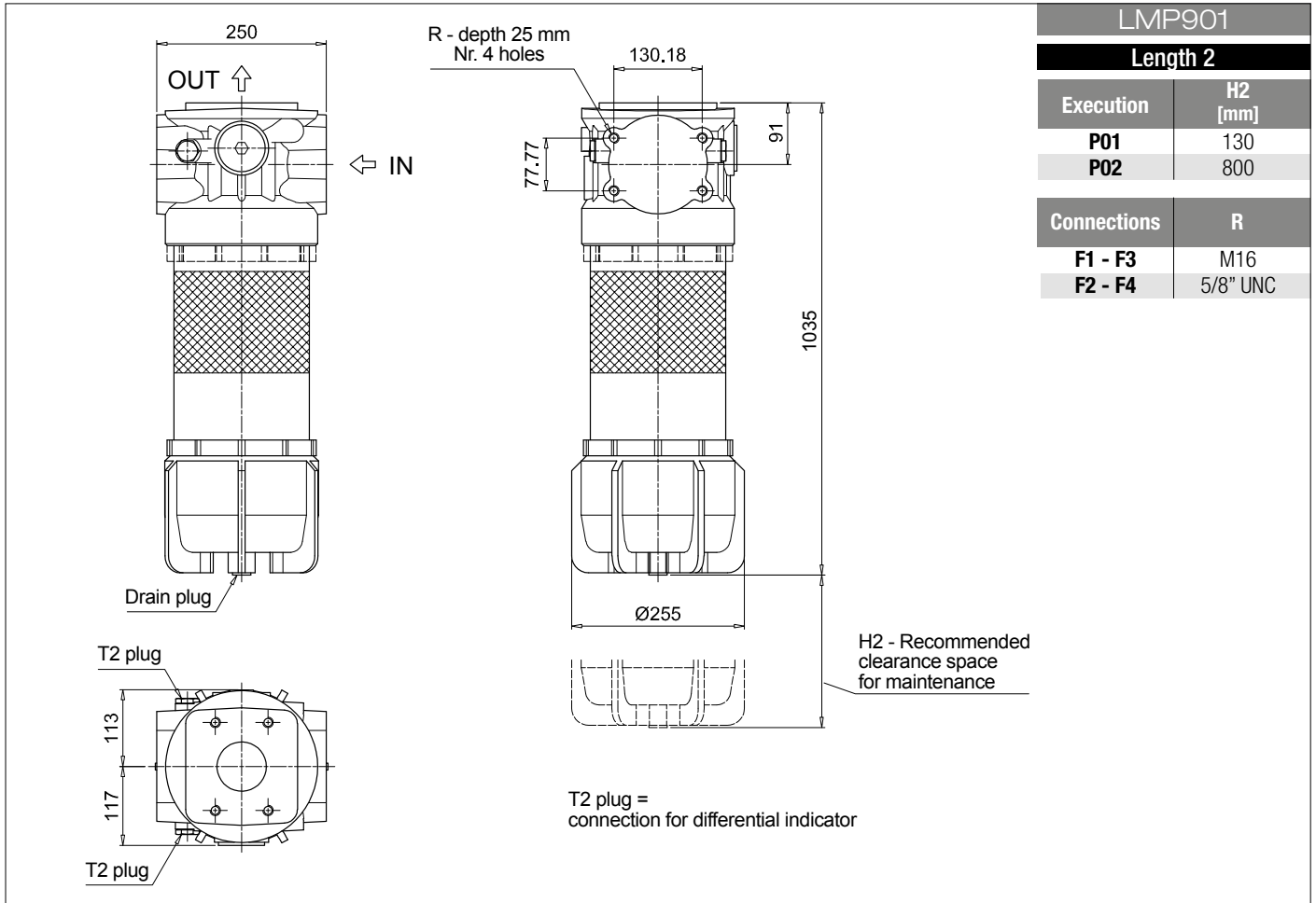
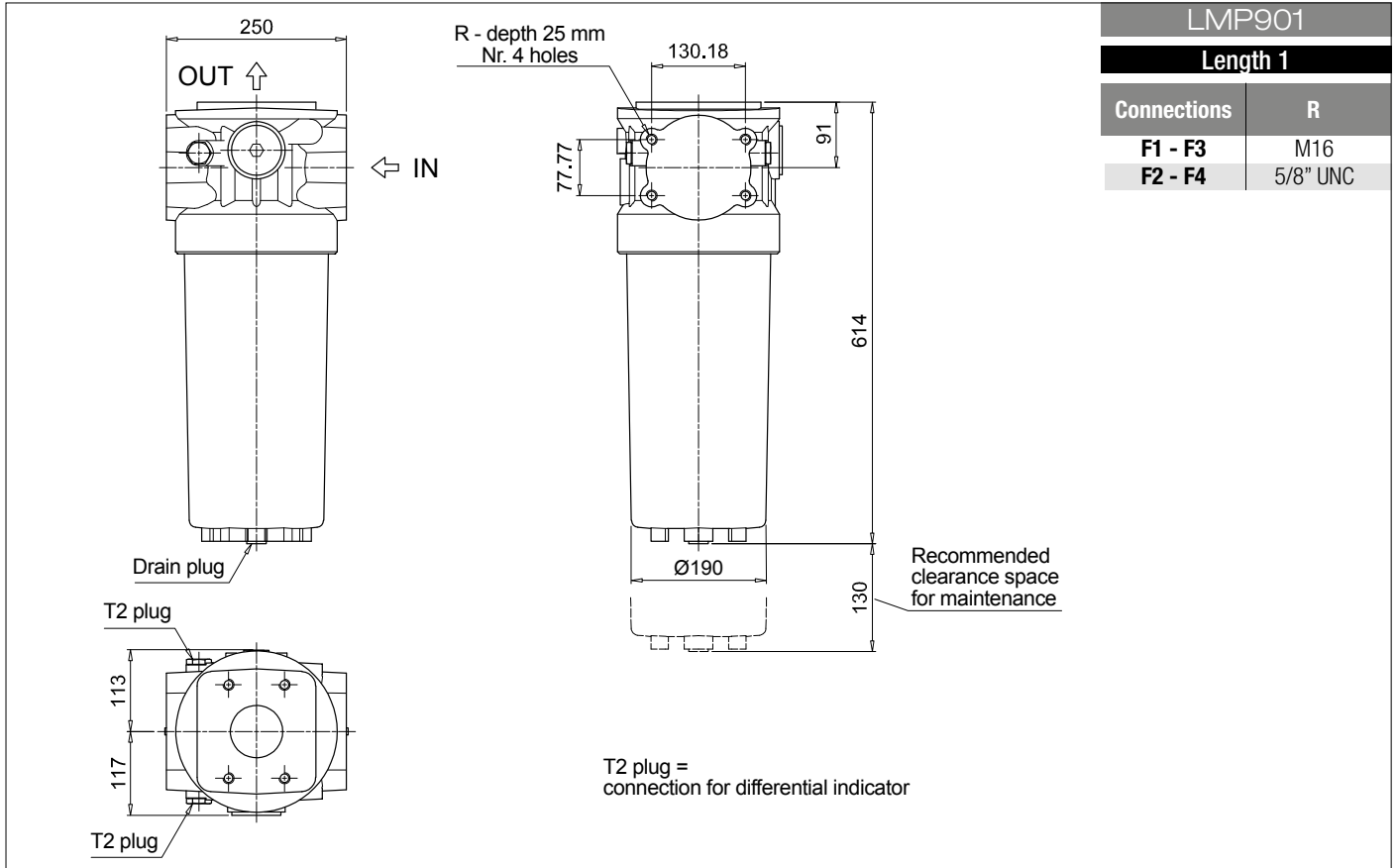
Filter element according to DIN 24550 LMP 900-901

Dimensions



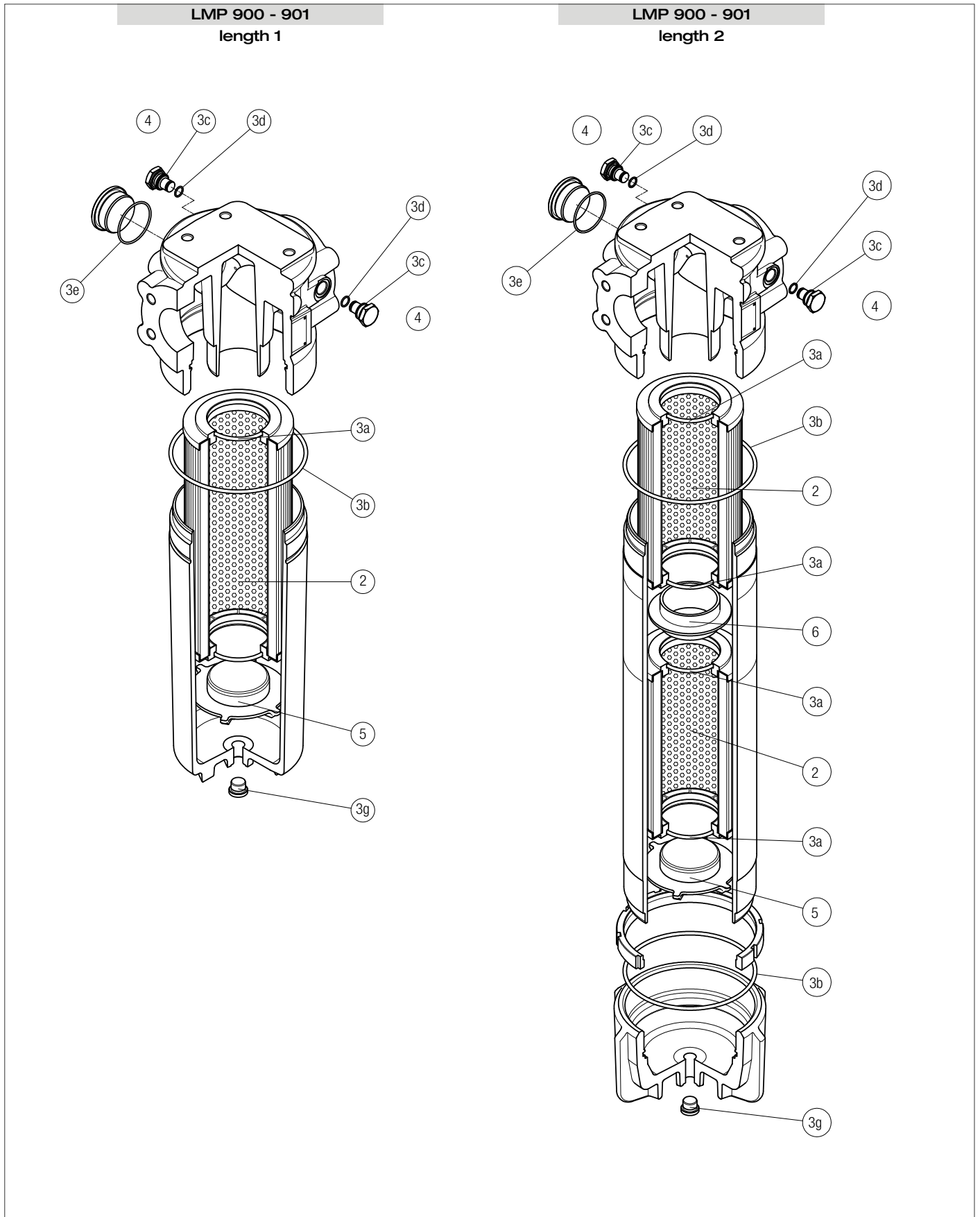
LMP 900-901 Filter element according to DIN 24550

Dimensions



SPARE PARTS LMP 900-901

Order number for spare parts



Item:	2		3 (3a ÷ 3g)		4		5		6			
Filter series	Filter element	Seal Kit code number	Indicator connection plug	Housing spigot	Coupling spigot							
	Q.ty	Q.ty	NBR	FPM	Q.ty	NBR	FPM	Q.ty	Q.ty	Q.ty		
LMP 900-901 length 1	1 pc.	See order table	1 pc.	02050363	02050364	2 pcs.	T2H	T2V	1 pc.	01044104	-	01044099
LMP 900-901 length 2	2 pcs.	See order table	1 pc.	02050365	02050366	2 pcs.	T2H	T2V	1 pc.	01044104	1 pc.	01044099