

KT5351



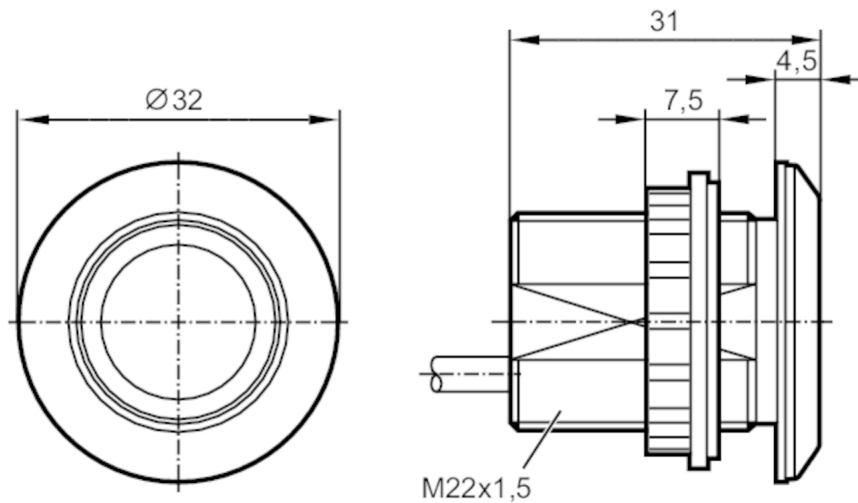
Capacitive illuminated pushbutton

KTMBF-ERGBPKG/US/0,3M

Article no longer available - archive entry

Alternative articles: KT6301

When selecting an alternative article and accessories please note that technical data may differ!



Product characteristics

Electrical design	PNP
Output function	normally open
Dimensions [mm]	Ø 32 / L = 31

Application

Principle of operation	Bistable
------------------------	----------

Electrical data

Operating voltage [V]	12...30 DC
Current consumption [mA]	30
Protection class	III
Reverse polarity protection	yes
Max. power-on delay time [ms]	500

Outputs

Electrical design	PNP
Output function	normally open
Permanent current rating of switching output DC [mA]	200
Short-circuit protection	yes
Overload protection	yes

Reaction times

Response time [ms]	35
--------------------	----

Operating conditions

Ambient temperature [°C]	-40...85
Protection	IP 65; IP 67; IP 69K; (on the front)

KT5351



Capacitive illuminated pushbutton

KTMBF-ERGBPKG/US/0,3M

Mechanical data		
Weight	[g]	78.5
Dimensions	[mm]	Ø 32 / L = 31
Material	housing: stainless steel (1.4404 / 316L); actuating surface: PA Grilamid TR 90UV	
Displays / operating elements		
Display	Switching status	1 x LED, green
	Function	1 x LED, red can be triggered
Accessories		
Items supplied	lock nuts: 1	
	Gasket: 1	
Accessories (optional)	Symbol disc	
Remarks		
Pack quantity	1 pcs.	

Electrical connection - plug

Cable: 0.3 m, PUR

Connector: 1 x M12; coding: A



Connection

